



A Phoenix Mecano Company



EX-EQUIPMENT

English Version



In 1969 ROSE Systemtechnik GmbH was founded in Porta Westfalica, Germany. Today ROSE is one of the world's leading and innovative providers of industrial enclosure system engineering, employing over 350 people at the German headquarter.

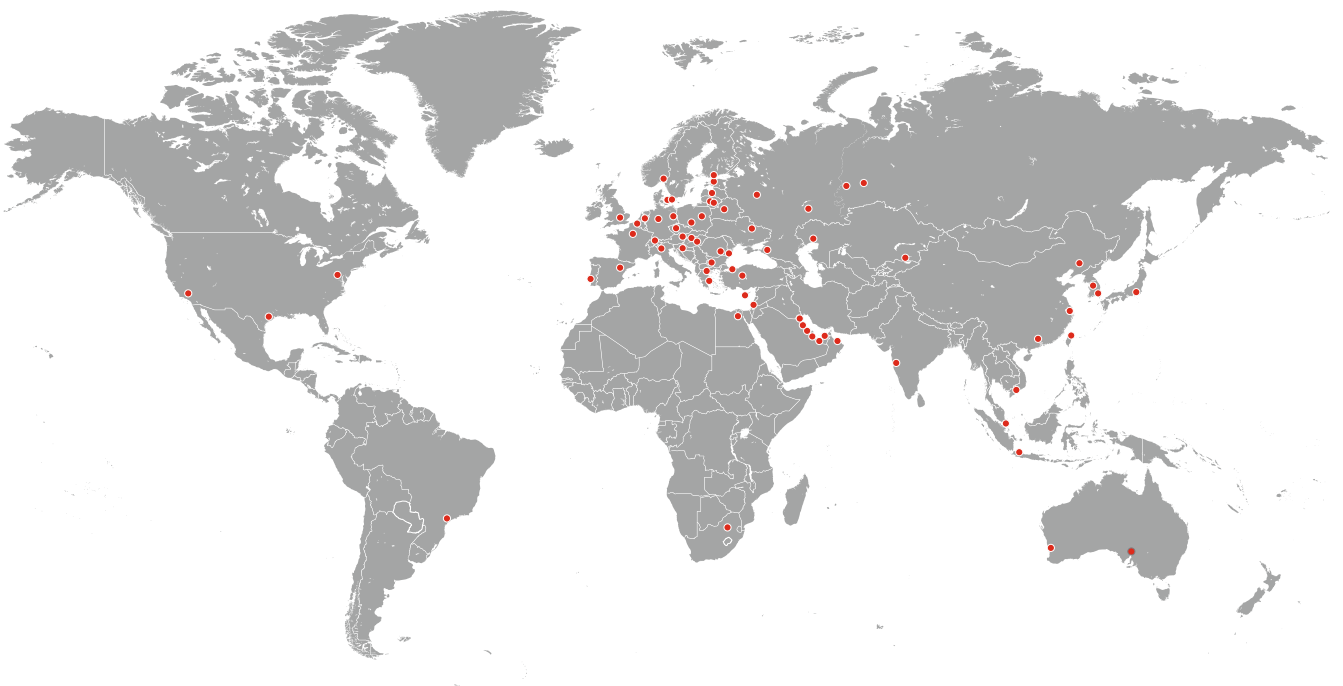
In association with Phoenix Mecano AG, Switzerland, we develop and manufacture high-quality industrial enclosures and system solutions for areas such as mechanical and plant engineering, automation engineering, potentially explosive atmospheres, instrumentation, control and automation technology, as well as the foodstuff and beverage industry.

Our product range comprises the following:








- Standard industrial enclosures made of aluminum, stainless steel and plastics for individual installations of electrical connection technology and electronic components.
- Operating and display enclosures based on aluminum profile systems and stainless steel materials for HMI applications with industrial PCs, PLC control systems and visualization units, including suspension systems.
- Components for explosion protection with junction boxes and control stations for worldwide use in potentially explosive atmospheres, as well as the petrochemical and chemical industry in both onshore and offshore environments.

Our business success is based on a wide range of products, a high quality standard, constant innovation and an exceptional level of service. You decide the condition of delivery – the un-machined enclosure, a partial assembly or a completely assembled and tested customized system solution.

Take advantage of our worldwide sales and marketing network for your international projects.



Contents

	Page	
Ex eb, Ex ia Terminal enclosures / Ex Empty enclosures U-certified	14	
	Stainless steel Ex enclosures IG	15
	Stainless steel Ex flange enclosures ProtEx	20
	Stainless steel Ex cabinets IGS	24
	Polyester Ex enclosures	29
	Pre-assembled polyester Ex enclosures PExcom	37
	Polyester Ex CombiBox	39
	Polyester Ex flange enclosures	43
	Polyester Ex Okta Box	47
	Polyester Ex cabinets Polyglas	51
	Polyester Ex enclosures for mining industry	55
	Aluminium Ex enclosures	59
	Polyamide Ex Handheld enclosures Beluga	68
Ex d Flameproof enclosures		
	Ex d IIB+H ₂ Enclosure Series EJB	71
	Ex d IIB+H ₂ Enclosure Series IJB	75
	Ex d IIC Enclosure Series GUB	79
	Ex d IIC Enclosure Series TBE	83
	Ex Control Equipment	87
	Socket Boxes	88
	Ex Cable glands	89

Symbols

				
Cross connection	max. no. of DIN rails	No. of terminals	max. no. of internal cables	Current

ROSE reserves the right for any technical changes.



Special safety guidelines become relevant that specify the use of Ex tested components apply to all potentially explosive atmospheres. For this purpose, the ATEX directive applies within the EU and regulates the safe operation of plants and systems in potentially explosive areas. In other countries and continents, other safety guidelines apply in this area (IECEX, TR-TS, NEC, etc.) – often these are derivations of the European ATEX legislation.

Ex enclosures made of aluminium, polyester and stainless steel as well as control stations and other Ex equipment offer reliable basic protection for electrical distributions used in potentially explosive areas. The application range of the products is categorised in zone 1 and 2 for gas explosion protection, and in zone 21 and 22 for dust explosion protection. For different applications, different protection concepts will be available:

- Ex eb increased safety
- Ex ia intrinsically safety
- Ex db flameproof encapsulation
- Ex tb protection by enclosure

Typical application ranges include:

- Chemical and petrochemical industry
- Process industry
- Lacquer-processing industry
- Mining
- Silo installation



Operating under arctic conditions up to temperatures of -55 °C.



Extreme climatic conditions, aggressive environment?

ROSE Ex products have fulfilled the most versatile demands worldwide for years - either in arctic areas with low temperatures - or in hot desert areas with high temperatures.

For more than 30 years, ROSE Ex enclosures made of stainless steel, GRP polyester and aluminium have proved reliable Ex appliances and are used by renowned plant contractors, EPC's and owners all over the world.



Operating under tropical conditions up to temperatures +90 °C.



ROSE Ex Equipment



Ex eb / Ex ia Junction boxes

- Ex Junction boxes with ATEX, IECEx and other certifications (see respective product ranges)
- Complete fitting with terminals and glands
- Material: Stainless steel, GRP Polyester, Aluminium

Application area:

 Ex eb  Ex ia  Ex tb



Flameproof enclosure systems Ex db

- Application areas IIB or IIC
- Ex Enclosures with ATEX, IECEx and other certifications (see respective product ranges)
- Complete assembly with electromechanical components and glands
- Material: Stainless steel, Aluminium

Application area:

 Ex db  Ex tb



Ex eb and Ex db Control Stations

- Ex enclosures with ATEX, IECEx and other certifications
- Complete assembly with switches, push buttons, pilot lamps and glands
- Material: Stainless steel, Aluminium, GRP Polyester



General technical information

Various criteria must be taken into consideration when selecting an Ex device:

- Ex relevant criteria (zoning, temperature range, gas or dust atmosphere)
- fitting location (internal or external use, Onshore or Offshore)
- dimension (depends on the fittings)
- protective functions (ingress protection, EMC toughness)

Material specification of base enclosure

Aluminium

- Light, robust metal enclosure
- good chemical resistance (see table page 10)
- can be used in a wide temperature range
- optional EMC version
- excellent machining options
- application areas: suitable for internal and external use, special version for use in aggressive or sea-water environments

Stainless steel

- corrosion-proof metal enclosure
- good chemical resistance (see table page 10)
- can be used in a wide temperature range
- EMC basic screening
- application areas: suitable for internal and external use, chemical industry , Onshore and Offshore

GRP Polyester enclosures

- plastic enclosure for rough environments
- good chemical resistance (see table page 10)
- can be used in a wide temperature range
- good insulation properties
- V-0 version (in accordance with UL)
- application areas: suitable in rough atmospheres, internal and external use

Chemical resistance

Not only the enclosure material is relevant, when assessing if an enclosure is resistant to influence of chemical substances or not, but also the type of sealing has to be taken into consideration.

The table on page 10 only contains information how far materials are typically resistant to such substances. Both the concentration and the ambient temperature have to be taken into account.

General technical information

Chemicals	Aluminium	Stainless steel	Polyester	Silicone
Acetone	+	+	-	•
Formic acid	•	+	10 %	•
Ammonia	+	+	-	+
Petroleum	+	+	+	+
Benzene	+	+	+	-
Brake fluid	/	/	+	+
Butane	+	/	/	-
Butanol	/	/	+	-
Calcium chloride	+	+	+	/
Chlorobenzene	+	/	+	-
Diesel oil	/	/	+	•
Acetic acid	+	+	40 %	-
Formaldehyde	+	+	30 %	+
Frigen 113	/	/	+	/
Fruit juice	/	+	+	+
Glycerine	+	+	+	+
Heating oil	+	+	+	•
Hydraulic oil	/	/	+	•
Lime potash	/	+	-	/
Potassium chloride	•	+	+	+
Potassium hydroxide	-	+	-	•
Linseed oil	+	+	+	•
Methanol	+	+	-	+
Methylene chloride	+	+	-	-
Lactic acid	+	+	+	/
Mineral oils	/	/	+	+
Engine oils	/	/	+	+
Sodium carbonate	•	+	+	/
Sodium chloride	•	•	+	+
Sodium hydroxide	+	+	-	•
Caustic soda	/	+	40 %	-
Nitric acid	+	+	10 %	-
Hydrochloric acid	/	+	+	/
Lubricating oil	+	+	+	+
Carbon disulfide	+	+	-	-
Sulphuric acid	•	+	70 %	25 %
Soapy lye	/	+	+	+
Detergent	/	+	/	+
Turpentine oil	/	/	+	-
Carbon tetrachloride	+	/	+	-
Toluene	+	/	+	-
Trichlorethylene	+	/	-	-
Water (distilled water, fresh water, tap water, saltwater)	/	+	+	+
Tartaric acid	/	/	+	+
Xylene	+	/	+	-
Zinc sulphate	•	/	+	+
Citric acid	+	/	+	+

Symbol definition

- + resistant to all concentrations
- % resistant to a maximum concentration in %
- conditional resistance
- non resistance
- / no information



General technical information

Marking in areas with combustable dust

Marking in accordance to ATEX guideline 2014/34/EU



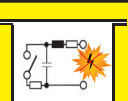

Marking in accordance to IEC 60079-0/EN 60079-0



Equipment group
I: Mining
II: other hazardous areas

MAXIMUM ALLOWED SURFACE TEMPERATURE		
IGNITION TEMPERATURES FOR COMBUSTIBLE DUSTS		
Dusts	Typical IgnitionTemp. (°C)	
	Cloud	Layer
Aluminium	590	1 D
Coal dust (lignite)	380	1 D or 2 D
Flour	490	
Grain dust	510	
Methyl cellulose	420	
Phenolic resin	530	
Polythene	420	
PVC	700	
Soot	810	
Starch	460	
Sugar	490	1 D, 2 D or 3 D

	Equipment category according to ATEX-Directive 2014/34/EU	EPL (Equipment Protection Level)	Zone	Type of danger
Dust	1 D	Da	20	Continuous, long, frequent
	2 D	Db	21	Occasional
	3 D	Dc	22	Not usually present, short periods only
Mining	M1	Ma		Continuous, long, frequent
	M2	Mb		Occasional

TYPES OF PROTECTION FOR ELECTRICAL APPARATUS IN AREAS WITH COMBUSTIBLE DUST					
Protection Method		Zone	Protection concept	Standards	
				IEC Norm	CENELEC
	Alternative				
 Protection by enclosure	ta	20	Ex atmosphere is kept apart from ignition source and temperature limitation old marking: tD A21 = under procedure A for Zone 21 tD B21 = under procedure B for Zone 22	IEC 60079-31	EN 60079-31
	tb	21			
	tc	22			
 Pressurized enclosure	pb	20	Ex atmosphere is kept apart from ignition source and temperature limitation	IEC 61241-4	EN 61241-4
	pc	21			
 Intrinsic safety	ia	20	Energy limitation of sparks and high temperatures	IEC 60079-11	EN 60079-11
	ib	21			
	ic	22			
 Encapsulation	ma	20	Ex atmosphere is kept apart from ignition source	IEC 60079-18	EN 60079-18
	mb	21			
	mc	22			

Symbol IIIA, IIIB or IIIC for electrical apparatus in area with combustable dust

General technical information



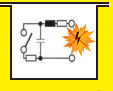





Marking in areas with flammable gases

Marking in accordance to ATEX guideline 2014/34/EU



Marking in accordance to IEC 60079-0/ EN 60079-0



TYPES OF PROTECTION FOR ELECTRICAL APPARATUS IN HAZARDOUS AREAS					
Protection Method	Zone	Schutzprinzip	IEC Norm	CENELEC Norm	
					General Requirements
 Increased safety	eb	1	No arcs, sparks or hot surfaces	IEC 60079-7	EN 60079-7
 Flameproof enclosure	db	1	Parts that can ignite a hazardous atmosphere are installed in flameproof enclosures which prevent the transmission of an explosion to the ambient atmosphere	IEC 60079-1	EN 60079-1
 Intrinsic safety	ia	0	Energy limitation of sparks and temperatures	IEC 60079-11	EN 60079-11
	ib	1			
	ic	2			
 Type of protection n	nAc	2	non-sparking	IEC 60079-15	EN 60079-15
	nCc	2	hermetically sealed	IEC 60079-15	EN 60079-15
	nRc	2	restricted breathing	IEC 60079-15	EN 60079-15
 Encapsulation	ma	0	Keep flammable gas away from any hot surfaces and ignition capable equipment	IEC 60079-18	EN 60079-18
	mb	1			
	mc	2			
 Pressurized enclosure	pb	1	Keep flammable gas away from any hot surfaces and ignition capable equipment	IEC 60079-2	EN 60079-2
 Powder filling	qb	1	Keep flammable gas away from any hot surfaces and ignition capable equipment	IEC 60079-5	EN 60079-5
 Optical radiation	opa	0	Limit, avoid etc. transmission of optical radiation	IEC 60079-28	EN 60079-28
	opb	1	op is = inherently safe optical radiation		
	ope	2	op pr = protected optical radiation op sh = optical radiation interlock		

Symbol IIA, IIB or IIC for electrical apparatus in hazardous gas areas



General technical information

Equipment group
I: Mining
II: other hazardous areas

	Equipment category according to ATEX-Directive 2014/34/EU	EPL (Equipment Protection Level)	Zone	Type of danger
Gas	1 G	Ga	0	Continuous, long, frequent
	2 G	Gb	1	Occasional
	3 G	Gc	2	Not usually present, short periods only
Mining	M1	Ma		Continuous, long, frequent
	M2	Mb		Occasional

TEMPERATURE CLASSIFICATION						
Gas Group	T1 450 °C	T2 300 °C	T3 200 °C	T4 135 °C	T5 100 °C	T6 85 °C
IIA	Ammonia 630 °C	1,2-Dichloroethane 440 °C	Benzine 220-300 °C	Acetaldehyde 140 °C		
	Carbon Monoxide 605 °C	Ethylbenzene 431 °C	Diesel Fuel 220-300 °C	Triethylamine 190 °C		
	Phenol 595 °C	Ethanol 400 °C	Fuel Oil 220-300 °C			
	Methane 595 °C	Nitromethane 415 °C	Jet fuel 220-300 °C			
	Benzol 555 °C	Trichlorethylene 410 °C	Naphthalene 540 °C			
	Acetone 535 °C	Methylamine 408 °C	Petroleum 288 °C			
	Toluene 535 °C	1-Propanol 385 °C	Pentane 288 °C			
	Ethane 515 °C	Ethylene-Diamine 385 °C	Turpentine 254 °C			
	Acetic Acid 485 °C	Amyl Acetate 380 °C	Hexane 230 °C			
	Propane 470 °C	Butane 365 °C	Heptane 215 °C			
	Xylene 464 °C	Butanol 340 °C	Octane 205 °C			
	Ethyl Acetate 470 °C	Amyl Alcohol 300 °C	Nonane 205 °C			
	Methanol 440 °C					
IIB	City Gas ca. 560 °C	Ethylene Oxide 435 °C	Hydrosulfide 270 °C	Dibutyl Ether 185 °C		
	Hydrogen Cynaide 538 °C	Ethylene 440 °C	Ethylene Glycol 235 °C	Diethyl Ether 175 °C		
IIC		Formaldehyde 424 °C	Tetrahydrofuran 224 °C	Dipropyl Ether 170 °C		
	Hydrogene 560 °C	Acetylene 305 °C				Carbon Disulfide 95 °C

Ex eb / Ex ia Terminal enclosures / Ex Empty enclosures with U-approval



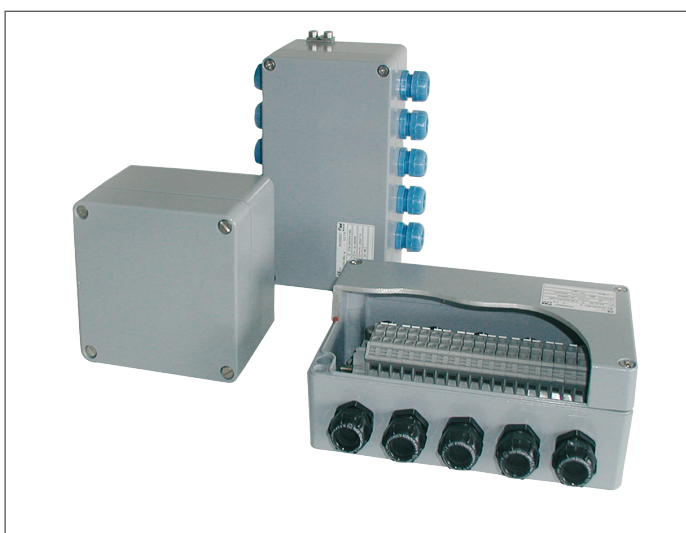
Stainless steel enclosures

- Top quality for highest requirements
- More than 40 different versions and sizes
- Available in standard, flange and hinged version



Polyester enclosures

- Sturdy construction for outdoor and indoor application
- Standard and flange versions
- More than 50 different sizes and variations



Aluminium enclosures

- More than 40 different sizes



Stainless steel Ex IG



- + Stainless steel enclosure system for use in hazardous areas
- + Available as a component (U approval) or as a fully certified device including the installation of terminals or electronic equipment
- + With window optional

Included in delivery

Empty enclosure: Enclosure system with silicone seal.

Junction box: Enclosure system - depending on execution with silicone seal, DIN rails, internal earthing connection, terminals, continuity plate, manufacturing, cable glands

Technical datas

Explosion protection	II 2 G Ex eb IIC T6/T5/T4 Gb II 2 G Ex ia IIC T6/T5/T4 Gb II 2 G Ex db eb ia [ia] mb IIC T6/T5/T4 Gb II 3 G Ex eb db mb ia [ia Ga] nA nC [op is] IIC T6, T5, T4 Gc II 2 D Ex tb IIIC T85 °C/T100 °C/T135 °C Db IP66
Certificates	PTB 00 ATEX 1101U IECEX PTB 07.0059U; EAC RU C-DE.AA87.B.00637
Material	Stainless steel 1.25 mm or 1.5 mm; 1.4404/316L
Ingress protection	IP66 to EN 60529
Surface	grinded, grain 240
Impact resistance	7 Joule to EN 60079-0
Ambient temperature range	-55 °C to +135 °C
Other execution on request	EMC

Stainless steel Ex IG

Product overview

Ex e		Ex Empty		Ex i		Dimensions H x W x D (mm)	Weight (g)
Order no.	Product type	Order no.	Product type	Order no.	Product type		
35.10 10 06	IGExe 35010	34.10 10 06	IGExB 34010	36.10 10 06	IGExi 36010	100 x 100 x 61	581
35.15 10 06	IGExe 35015	34.15 10 06	IGExB 34015	36.15 10 06	IGExi 36015	100 x 150 x 61	737
35.15 15 08	IGExe 35020	34.15 15 08	IGExB 34020	36.15 15 08	IGExi 36020	150 x 150 x 81	1195
35.20 10 06	IGExe 35025	34.20 10 06	IGExB 34025	36.20 10 06	IGExi 36025	100 x 200 x 61	934
35.20 20 08	IGExe 35030	34.20 20 08	IGExB 34030	36.20 20 08	IGExi 36030	200 x 200 x 81	1812
35.20 20 12	IGExe 35035	34.20 20 12	IGExB 34035	36.20 20 12	IGExi 36035	200 x 200 x 121	2126
35.30 15 08	IGExe 35040	34.30 15 08	IGExB 34040	36.30 15 08	IGExi 36040	150 x 300 x 81	1913
35.30 20 08	IGExe 35045	34.30 20 08	IGExB 34045	36.30 20 08	IGExi 36045	200 x 300 x 81	2387
35.30 20 12	IGExe 35050	34.30 20 12	IGExB 34050	36.30 20 12	IGExi 36050	200 x 300 x 121	2790
35.30 30 12	IGExe 35055	34.30 30 12	IGExB 34055	36.30 30 12	IGExi 36055	300 x 300 x 121	3812
35.30 30 16	IGExe 35060	34.30 30 16	IGExB 34060	36.30 30 16	IGExi 36060	300 x 300 x 161	4121
35.38 38 16	IGExe 35065	34.38 38 16	IGExB 34065	36.38 38 16	IGExi 36065	380 x 380 x 161	5858
35.40 15 08	IGExe 35070	34.40 15 08	IGExB 34070	36.40 15 08	IGExi 36070	150 x 400 x 81	2390
35.40 20 12	IGExe 35075	34.40 20 12	IGExB 34075	36.40 20 12	IGExi 36075	200 x 400 x 121	3403
35.40 30 16	IGExe 35080	34.40 30 16	IGExB 34080	36.40 30 16	IGExi 36080	300 x 400 x 161	5288
35.50 30 16	IGExe 35085	34.50 30 16	IGExB 34085	36.50 30 16	IGExi 36085	300 x 500 x 161	6257
35.50 40 16	IGExe 35090	34.50 40 16	IGExB 34090	36.50 40 16	IGExi 36090	400 x 500 x 161	7353
35.60 20 12	IGExe 35095	34.60 20 12	IGExB 34095	36.60 20 12	IGExi 36095	200 x 600 x 121	5818
35.99 99 99	IGExe 35999	34.99 99 99	IGExB 34100	36.99 99 99	IGExi 36999	Special size on request	

Terminal mounting

DIN rail	Phoenix Contact											
	TS 15	TS 15	TS 35	TS 35	TS 35	TS 35	TS 35	TS 35	TS 35	TS 35	TS 35	TS 35
Nominal cross section (mm ²)	2,5	4	2,5	4	6	10	16	35	50	95	150	
Voltage (V)	352	352	690	690	690	690	690	690	690	880	1100	
Terminal width (mm)	5,2	6,2	5,2	6,2	8,2	10,2	12,2	16,2	20	25	31	
Terminal type												
Enclosure type	MUT 2,5	MUT 4	UT 2,5	UT 4	UT 6	UT 10	UT 16	UT 35	UKH 50	UKH 95	UKH 150	PE bar 1,5 to 6 mm ²
XX.10 10 06	10	8										3
XX.15 10 06	19	16										6
XX.15 15 08	19	16	19	16	12	10	8					6
XX.20 10 06	29	24	29	24	18							8
XX.20 20 08	58	48	58	48	36	28	12					8
XX.20 20 12	58	48	58	48	36	28	12	10				8
XX.30 15 08	48	40	48	40	30	24	20					13
XX.30 20 08	96	80	96	80	60	24	20					13
XX.30 20 12	96	80	96	80	60	24	20	15				13
XX.30 30 12	96	80	96	80	60	48	20	15	12			13
XX.30 30 16	96	80	96	80	60	48	40	15	12			13
XX.38 38 16	189	159	189	159	120	96	81	40	16	13	10	18
XX.40 15 08	67	53	67	53	42	34	28					19
XX.40 20 12	134	106	134	106	84	68	28	21	17			19
XX.40 30 16	134	106	134	106	84	68	28	21	17	14		19
XX.50 30 16	172	144	172	144	110	88	74	27	22	18		24
XX.50 40 16	344	288	344	288	220	132	111	54	44	18	12	24
XX.60 20 12	212	178	212	178	134	54	45	34	27			29

Other suppliers on request

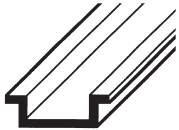


Stainless steel Ex IG

Accessories

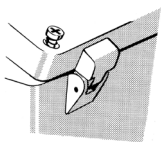
Order no.	DIN rails	External mounting brackets	Mounting plate
XX.10 10 06	•	•	•
XX.15 10 06	•	•	•
XX.15 15 08	•	•	•
XX.20 10 06	•	•	•
XX.20 20 08	•	•	•
XX.20 20 12	•	•	•
XX.30 15 08	•	•	•
XX.30 20 08	•	•	•
XX.30 20 12	•	•	•
XX.30 30 12	•	•	•
XX.30 30 16	•	•	•
XX.38 38 16	•	•	•
XX.40 15 08	•	•	•
XX.40 20 12	•	•	•
XX.40 30 16	•	•	•
XX.50 30 16	•	•	•
XX.50 40 16	•	•	•
XX.60 20 12	•	•	•
XX.99 99 99			

DIN rails



Order no.	Version
10.06 14 41	TS 35/7.5 for XX.10 10 069
10.06 14 35	TS 35/7.5 for XX.15 10 06, XX.15 15 08
10.06 14 37	TS 35/7.5 for XX.20 10 06, XX.20 20 08, XX.20 20 12
10.06 14 36	TS 35/7.5 for XX.30 15 08, XX.30 20 08, XX.30 20 12, XX.30 30 12, XX.30 30 16
10.06 14 39	TS 35/7.5 for XX.38 38 16
10.06 14 38	TS 35/7.5 for XX.40 15 08, XX.40 20 12, XX.40 30 16
10.06 14 40	TS 35/7.5 for XX.50 30 16, XX.50 40 16
10.06 14 42	TS 35/7.5 for XX.60 20 12

External hinges



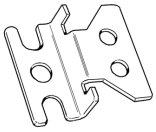
Set = 2 pcs

Order no.
37.00 00 02

Stainless steel Ex IG

Accessories

External mounting brackets

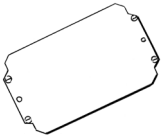


set = 4 pcs

Order no.

37.10 50 00	External mounting bracket
37.99 00 01	Mounting set

Mounting plate



Order no.

Version

10.01 10 53	for XX.10 10 06
10.01 10 43	for XX.40 20 12
10.01 10 38	for XX.15 15 08
10.01 10 55	for XX.20 10 06
10.01 10 40	for XX.20 20 08, XX.20 20 12
10.01 10 39	for XX.30 15 08
10.01 10 41	for XX.30 20 08, XX.30 20 12
10.01 10 44	for XX.30 30 12, XX.30 30 16, XX.00 33 16
10.01 10 45	for XX.38 38 16, XX.00 44 16, XX.00 44 21
10.01 10 56	for XX.40 15 08
10.01 10 48	for XX.40 30 16
10.01 10 57	for XX.50 30 16, XX.00 53 16
10.01 10 49	for XX.50 40 16
10.01 10 58	for XX.60 20 12

PE bar 1.5 to 6 mm²



Order no.

Version

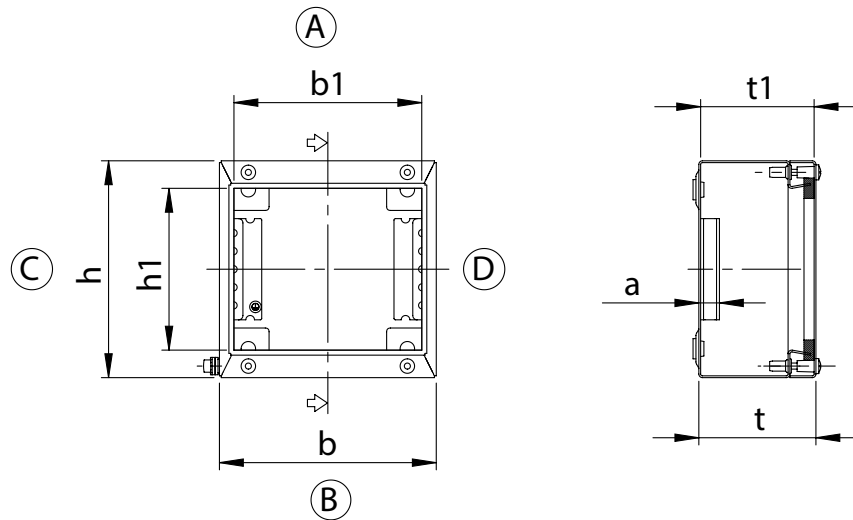
12.05 43 01	for XX.10 10 06
12.05 43 02	for XX.15 10 06, XX.15 15 08
12.05 43 04	for XX.20 10 06, XX.20 20 08, XX.00 22 09, XX.00 22 15
12.05 43 07	for XX.30 15 08, XX.30 20 08, XX.30 20 12, XX.30 30 12, XX.30 30 16, XX.00 33 16
12.05 43 12	for XX.38 38 16, XX.00 44 16, XX.00 44 21
12.05 43 13	for XX.40 15 08, XX.40 20 12, XX.40 30 16
12.05 43 16	for XX.50 30 16, XX.50 40 16, XX.00 53 16
12.05 43 17	for XX.60 20 12, XX.00 63 16, XX.00 64 21



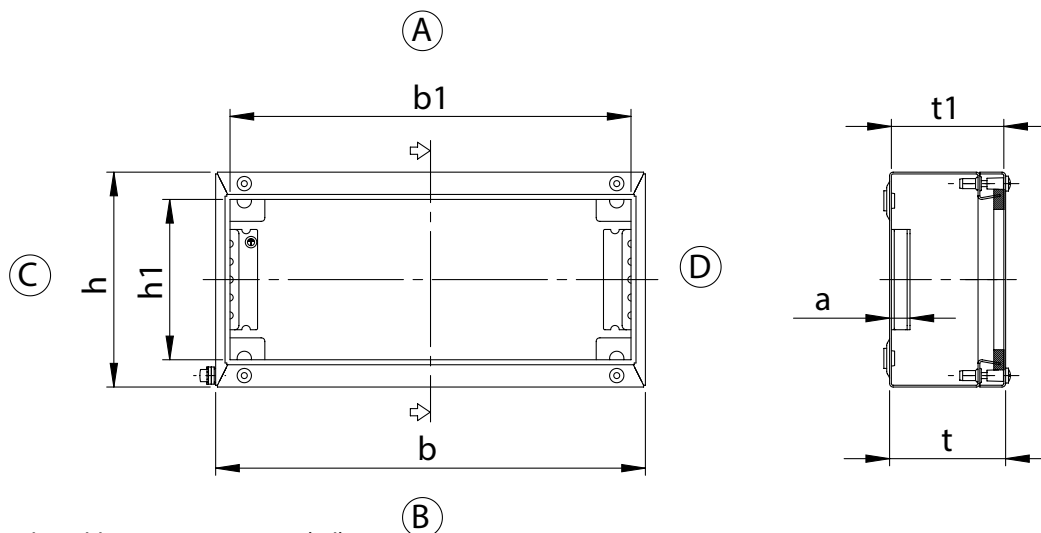
Stainless steel Ex IG

Technical details

Order no.	b	h	t	b1	h1	t1	a
XX.10 10 06	100	100	61	97,5	97,5	58,5	13
XX.15 15 08	150	150	81	147,5	147,5	78,5	13
XX.20 20 08	200	200	81	197,5	197,5	78,5	13
XX.20 20 12	200	200	121	197,5	197,5	118,5	13
XX.30 30 12	300	300	121	297,5	297,5	118,5	13
XX.30 30 16	300	300	161	297,5	297,5	158,5	13
XX.38 38 16	380	380	161	377,5	377,5	158,5	13



Order no.	b	h	t	b1	h1	t1	a
XX.15 10 06	150	100	61	147,5	97,5	58,5	13
XX.20 10 06	200	100	61	197,5	97,5	58,5	13
XX.30 15 08	300	150	81	297,5	147,5	78,5	13
XX.30 20 08	300	200	81	297,5	197,5	78,5	13
XX.30 20 12	300	200	121	297,5	197,5	118,5	13
XX.40 15 08	400	150	81	397,5	147,5	78,5	13
XX.40 20 12	400	200	121	397,5	197,5	118,5	13
XX.40 30 16	400	300	161	397,5	297,5	158,5	13
XX.50 30 16	500	300	161	497,5	297,5	158,5	13
XX.50 40 16	500	400	161	497,5	397,5	158,5	13
XX.60 20 12	600	200	121	597	197	118	13



For detailed drawings visit www.rose-systemtechnik.com

Ex stainless steel flange ProtEx

Product overview

Ex e		Ex Empty		Ex i		Dimensions H x W x D (mm)	Weight (g)
Order no.	Product type	Order no.	Product type	Order no.	Product type		
35.06 02 00	ProtExe 02	34.06 02 00	ProtExB 02	36.06 02 00	ProtExi 02	260 x 260 x 205	4870
35.06 03 00	ProtExe 03	34.06 03 00	ProtExB 03	36.06 03 00	ProtExi 03	306 x 306 x 205	6010
35.06 04 00	ProtExe 04	34.06 04 00	ProtExB 04	36.06 04 00	ProtExi 04	380 x 260 x 205	6360
35.06 05 00	ProtExe 05	34.06 05 00	ProtExB 05	36.06 05 00	ProtExi 05	458 x 382 x 205	9120
35.06 06 00	ProtExe 06	34.06 06 00	ProtExB 06	36.06 06 00	ProtExi 06	480 x 480 x 205	11010
35.06 07 00	ProtExe 07	34.06 07 00	ProtExB 07	36.06 07 00	ProtExi 07	500 x 350 x 205	9190
35.06 08 00	ProtExe 08	34.06 08 00	ProtExB 08	36.06 08 00	ProtExi 08	620 x 450 x 205	12790
35.06 09 00	ProtExe 09	34.06 09 00	ProtExB 09	36.06 09 00	ProtExi 09	740 x 550 x 205	18200
35.06 10 00	ProtExe 10	34.06 10 00	ProtExB 10	36.06 10 00	ProtExi 10	762 x 508 x 205	13930
35.06 11 00	ProtExe 11	34.06 11 00	ProtExB 11	36.06 11 00	ProtExi 11	860 x 640 x 205	18540
35.06 12 00	ProtExe 12	34.06 12 00	ProtExB 12	36.06 12 00	ProtExi 12	914 x 610 x 205	23460
35.06 13 00	ProtExe 13	34.06 13 00	ProtExB 13	36.06 13 00	ProtExi 13	980 x 740 x 205	28990

Terminal mounting

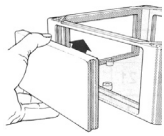
DIN rail	Phoenix Contact											
	TS 15	TS 15	TS 35	TS 35	TS 35	TS 35	TS 35	TS 35	TS 35	TS 35	TS 35	TS 35
Nominal cross section (mm ²)	2,5	4	2,5	4	6	10	16	35	50	95	150	240
Voltage (V)	352	352	690	690	690	690	690	690	690	880	1100	1100
Terminal width (mm)	5,2	6,2	5,2	6,2	8,2	10,2	12,2	16,2	20	25	31	36
Terminal type												
Enclosure type	MUT 2,5	MUT 4	UT 2,5	UT 4	UT 6	UT 10	UT 16	UT 35	UKH 50	UKH 95	UKH 150	UKH 240
XX.06 02 00	87	72	87	72	54	30	24	9	7			
XX.06 03 00	152	96	152	96	7	58	32	24	9	7		
XX.06 04 00	145	96	145	96	72	60	36	18	14	4		
XX.06 05 00	260	176	260	176	132	104	66	34	26	11	8	7
XX.06 06 00	355	300	355	300	180	146	120	69	36	28	12	10
XX.06 07 00	230	195	230	195	116	69	57	45	24	9	7	6
XX.06 08 00	600	504	600	504	376	228	160	96	57	30	12	10
XX.06 09 00	935	639	935	639	486	301	252	110	44	34	14	12
XX.06 10 00	847	640	847	640	480	312	229	125	60	32	12	11
XX.06 11 00	1326	935	1326	935	715	468	344	165	104	63	34	2
XX.06 12 00	1344	972	1344	972	732	441	328	186	100	60	32	26
XX.06 13 00	1815	1326	1815	1326	1001	620	459	234	155	75	40	34

Other suppliers on request

Ex stainless steel flange ProtEx

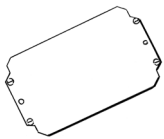
Accessories

Blind flange



Order no.	Version
34.06 50 03	F2, for XX.06 02 00, XX.06 04 00
34.06 50 04	F3, for XX.06 03 00, XX.06 11 00, XX.06 12 00,
34.06 50 05	F4, for XX.06 05 00, XX.06 07 00, XX.06 13 00,
34.06 50 07	F6, for XX.06 06 00, XX.06 08 00, XX.06 10 00
34.06 50 08	F7, for XX.06 09 00

Mounting plates



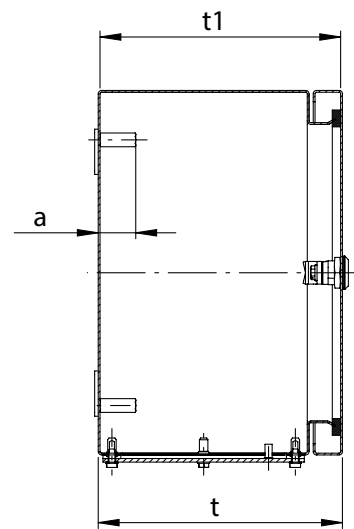
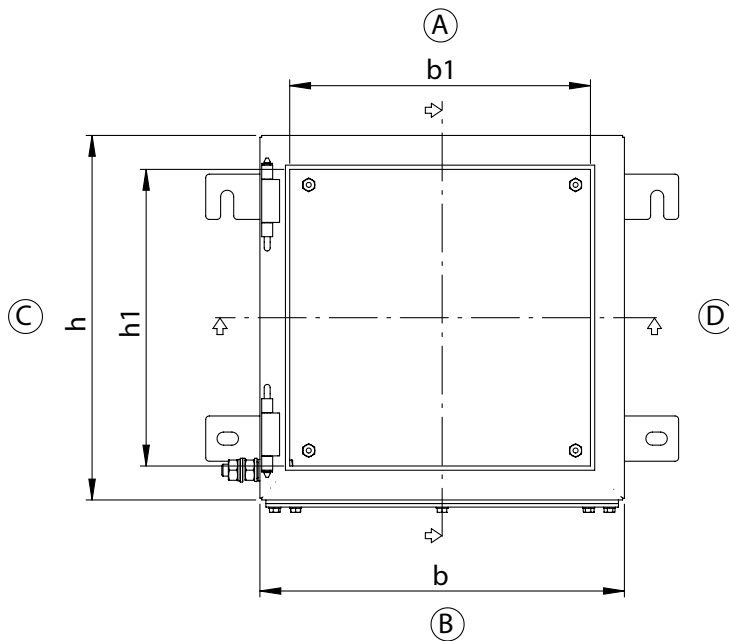
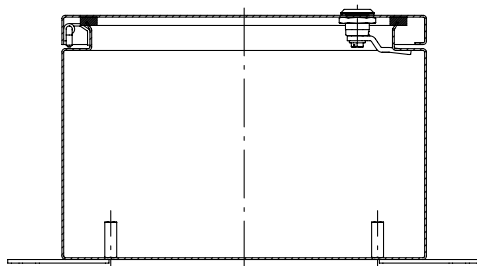
Order no.	Version
34.04 51 02	for XX.06 02 00
34.04 51 03	for XX.06 03 00
34.04 51 04	for XX.06 04 00
34.04 51 05	for XX.06 05 00
34.04 51 06	for XX.06 06 00
34.04 51 07	for XX.06 07 00
34.04 51 08	for XX.06 08 00
34.04 51 09	for XX.06 09 00
34.04 51 10	for XX.06 10 00
34.04 51 11	for XX.06 11 00
34.04 51 12	for XX.06 12 00
34.04 51 13	for XX.06 13 00



Ex stainless steel flange ProtEx

Technical details

Order no.	b	h	t	b1	h1	t1	a
XX.06 02 00	260	260	205	257	257	202	31,5
XX.06 03 00	306	306	205	303	303	202	31,5
XX.06 04 00	260	380	205	257	377	202	31,5
XX.06 05 00	382	458	205	379	455	202	31,5
XX.06 06 00	480	480	205	477	477	202	31,5
XX.06 07 00	350	500	205	347	497	202	31,5
XX.06 08 00	450	620	205	447	617	202	31,5
XX.06 09 00	550	740	205	547	737	202	31,5
XX.06 10 00	508	762	205	505	759	202	31,5
XX.06 11 00	640	860	205	637	857	202	31,5
XX.06 12 00	610	914	205	607	911	202	31,5
XX.06 13 00	740	980	205	737	977	202	31,5



For detailed drawings visit www.rose-systemtechnik.com

Stainless Steel Cabinets Ex IGS



- + High-quality stainless steel enclosure system for use in hazardous areas
- + Available as a component (U approval) or as a fully certified device including the installation of terminals or electronic equipment
- + With window optional
- + With covered hinges and double ward lock

Included in delivery

Empty enclosure: Enclosure with hinged lid, double ward lock, silicone seal and external earth connection.

Junction box: depending on design with hinged lid, double ward lock, silicone seal, external earth, DIN rail, internal earth connection, terminals.

Technical datas

Explosion protection	II 2 G Ex eb IIC T6/T5/T4 Gb II 2 G Ex ia IIC T6/T5/T4 Gb II 2 G Ex db eb ia [ia] mb IIC T6/T5/T4 Gb II 3 G Ex eb db mb ia [ia Ga] nA nC [op is] IIC T6, T5, T4 Gc II 2 D Ex tb IIIC T85 °C/T100 °C/T135 °C Db IP66
Certificates	PTB 00 ATEX 1101U IECEX PTB 07.0059U EAC RU C-DE.AA87.B.00637
Material	Stainless steel 1.25 mm or 1.5 mm; 14301/304, 1.4404/316L on request
Ingress protection	IP66 to EN 60529
Surface	grinded, grain 240
Impact resistance	7 Joule to EN 60079-0
Ambient temperature range	-55 °C to +135 °C
Other execution on request	EMC



Stainless Steel Cabinets Ex IGS

Product overview

Ex e		Ex Empty		Ex i		Dimensions H x W x D (mm)	Weight (g)
Order no.	Product type	Order no.	Product type	Order no.	Product type		
35.00 22 09	IGSExe 35010	34.00 22 09	IGSExB 34010	36.00 22 09	IGSExi 36010	250 x 200 x 97	2350
35.00 22 15	IGSExe 35015	34.00 22 15	IGSExB 34015	36.00 22 15	IGSExi 36015	250 x 200 x 157	2880
35.00 32 09	IGSExe 35020	34.00 32 09	IGSExB 34020	36.00 32 09	IGSExi 36020	250 x 350 x 97	3490
35.00 33 16	IGSExe 35025	34.00 33 16	IGSExB 34025	36.00 33 16	IGSExi 36025	300 x 300 x 167	4360
35.00 44 16	IGSExe 35030	34.00 44 16	IGSExB 34030	36.00 44 16	IGSExi 36030	380 x 380 x 167	6080
35.00 44 21	IGSExe 35035	34.00 44 21	IGSExB 34035	36.00 44 21	IGSExi 36035	380 x 380 x 217	6820
35.00 53 16	IGSExe 35040	34.00 53 16	IGSExB 34040	36.00 53 16	IGSExi 36040	300 x 500 x 167	6350
35.00 63 16	IGSExe 35045	34.00 63 16	IGSExB 34045	36.00 63 16	IGSExi 36045	300 x 600 x 167	8750
35.00 64 21	IGSExe 35050	34.00 64 21	IGSExB 34050	36.00 64 21	IGSExi 36050	380 x 600 x 217	11420
35.00 99 99	IGSExe 35055	34.00 99 99	IGSExB 34055	36.00 99 99	IGSExi 36055	Special size on request	

Terminal mounting

DIN rail	Phoenix Contact											
	TS 15	TS 15	TS 35	TS 35	TS 35	TS 35	TS 35	TS 35	TS 35	TS 35		
Nominal cross section (mm ²)	2,5	4	2,5	4	6	10	16	35	50	95		
Voltage (V)	352	352	690	690	690	690	690	690	690	880		
Terminal width (mm)	5,2	6,2	5,2	6,2	8,2	10,2	12,2	16,2	20	25		
Terminal type												
Enclosure type	MUT 2,5	MUT 4	UT 2,5	UT 4	UT 6	UT 10	UT 16	UT 35	UKH 50	UKH 95		PE bar 1,5 to 6 mm ²
XX.00 22 09	58	48	58	48	36	28	12	9				
XX.00 22 15	58	48	58	48	36	28	12	9				
XX.00 32 09	116	96	116	96	72	29	24	18				
XX.00 33 16	80	80	80	80	60	48	40	15	12			
XX.00 44 16	189	159	189	159	120	96	81	40	17	13		18
XX.00 44 21	189	159	189	159	120	96	81	40	17	13		18
XX.00 53 16	172	144	172	144	110	88	74	27	26	18		24
XX.00 63 16	210	176	210	176	134	108	90	34	27	22		29
XX.00 64 21	315	264	315	264	201	162	135	68	27	22		29

Other suppliers on request

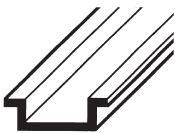
Stainless Steel Cabinets Ex IGS

Accessories

Order no.	DIN rails	Mounting plate
XX.00 22 09	•	•
XX.00 22 15	•	•
XX.00 32 09	•	•
XX.00 33 16	•	•
XX.00 44 16	•	•
XX.00 44 21	•	•
XX.00 53 16	•	•
XX.00 63 16	•	•
XX.00 64 21	•	•
XX.00 99 99		

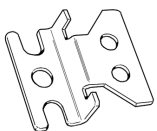
Accessories

DIN rails



Order no.	Version
10.06 14 37	TS 35/7.5 for XX.00 22 09, XX.00 22 15
10.06 14 25	TS 35/7.5 for XX.00 32 09
10.06 14 36	TS 35/7.5 for XX.00 33 16
10.06 14 39	TS 35/7.5 for XX.00 44 16, XX.00 44 21
10.06 14 40	TS 35/7.5 for XX.00 53 16
10.06 14 42	TS 35/7.5 for XX.00 63 16

External mounting brackets



set = 4 pcs

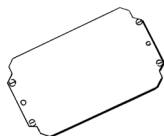
Order no.	
37.10 50 00	External mounting bracket
37.99 00 01	Mounting set



Stainless Steel Cabinets Ex IGS

Accessories

Mounting plate



Order no.	Version
10.01 10 66	for XX.00 22 09, XX.00 22 15
10.01 10 67	for XX.00 32 09
10.01 10 44	for XX.30 30 12, XX.30 30 16, XX.00 33 16
10.01 10 45	for XX.38 38 16, XX.00 44 16, XX.00 44 21
10.01 10 57	for XX.50 30 16, XX.00 53 16
10.01 10 68	for XX.00 63 16
10.01 10 69	for XX.00 64 21

PE bar

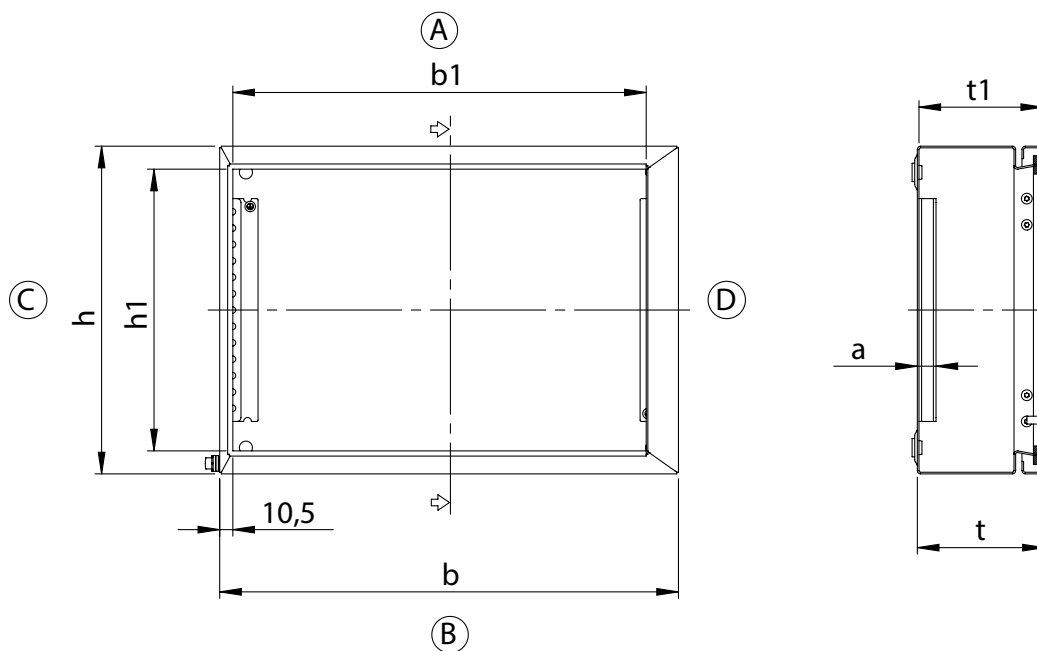
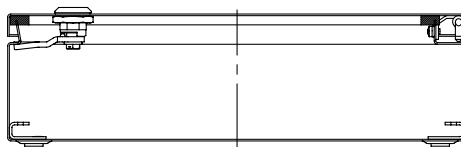


Order no.	Version
12.05 43 04	for XX.20 10 06, XX.20 20 08, XX.00 22 09, XX.00 22 15
12.05 43 25	for XX.00 32 09
12.05 43 07	for XX.30 15 08, XX.30 20 08, XX.30 20 12, XX.30 30 12, XX.30 30 16, XX.00 33 16
12.05 43 12	for XX.38 38 16, XX.00 44 16, XX.00 44 21
12.05 43 16	for XX.50 30 16, XX.50 40 16, XX.00 53 16
12.05 43 17	for XX.60 20 12, XX.00 63 16, XX.00 64 21

Stainless Steel Cabinets Ex IGS

Technical details

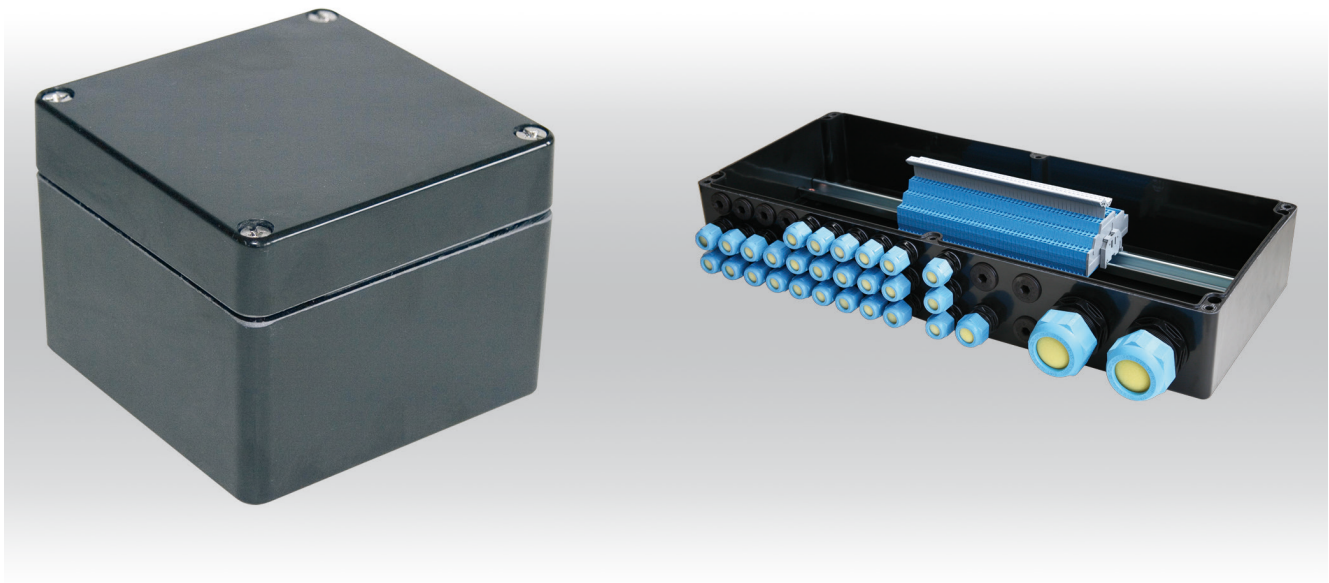
Order no.	b	h	t	b1	h1	t1	a
XX.00 22 09	200	250	97	197,5	247,5	94,5	13
XX.00 22 15	200	250	157	197,5	247,5	154,5	13
XX.00 32 09	350	250	97	347,5	247,5	94,5	13
XX.00 33 16	300	300	167	297,5	297,5	164,5	13
XX.00 44 16	380	380	167	377,5	377,5	164,5	13
XX.00 44 21	380	380	217	377,5	377,5	214,5	13
XX.00 53 16	500	300	167	497,5	297,5	164,5	13
XX.00 63 16	600	300	167	597	297	164	13
XX.00 64 21	600	380	217	597	377	214	13



For detailed drawings visit www.rose-systemtechnik.com



Polyester Ex



- + Glass fibre reinforced enclosure system of polyester-resin for use in hazardous areas
- + Available as a component (U approval) or as a fully certified device including the installation of terminals or electronic equipment
- + With window optional

Included in delivery

Empty enclosure: Enclosure system with silicone seal.
 Junction box: Enclosure system - depending on version with silicone seal, DIN rails, internal earthing connection, terminals, continuity plate, manufacturing, cable glands

Technical datas

Explosion protection	II 2 G Ex eb IIC T6/T5/T4 Gb II 2 G Ex ia IIC T6/T5/T4 Gb II 2 G Ex db eb ia [ia] mb IIC T6/T5/T4 Gb II 3 G Ex eb db mb ia [ia Ga] nA nC [op is] IIC T6, T5, T4 Gc II 2 D Ex tb IIIC T85 °C/T100 °C/T135 °C Db IP66
Certificates	PTB 00 ATEX 1002 IECEX PTB 08.0004 EAC RU C-DE.AA87.B.00637
Material	glass fibre reinforced duroplastic polyester, graphite added
Colour	RAL 9011, graphite black
Ingress protection	IP66 to EN 60529
Impact resistance	7 Joule to EN 60079-0
Flammability	self-extinguishing, UL 94 V-0
Surface resistance	<10 ⁹ Ohm to IEC 60093
Toxicity	halogen free
Ambient temperature range	-55 °C to +135 °C
Other execution on request	EMC

Polyester Ex

Product overview

Ex e		Ex Empty		Ex i		Dimensions H x W x D (mm)	Weight (g)
Order no.	Product type	Order no.	Product type	Order no.	Product type		
06.08 08 06	PExe 06010	26.08 08 06	PExB 26010	16.08 08 06	PExi 16010	75 x 80 x 56	230
06.08 08 08	PExe 06015	26.08 08 08	PExB 26015	16.08 08 08	PExi 16015	75 x 80 x 75	300
06.08 11 06	PExe 06020	26.08 11 06	PExB 26020	16.08 11 06	PExi 16020	75 x 110 x 56	295
06.08 11 08	PExe 06025	26.08 11 08	PExB 26025	16.08 11 08	PExi 16025	75 x 110 x 75	360
06.08 16 06	PExe 06030	26.08 16 06	PExB 26030	16.08 16 06	PExi 16030	75 x 160 x 56	405
06.08 16 08	PExe 06035	26.08 16 08	PExB 26035	16.08 16 08	PExi 16035	75 x 160 x 75	460
06.08 19 06	PExe 06040	26.08 19 06	PExB 26040	16.08 19 06	PExi 16040	75 x 190 x 56	450
06.08 19 08	PExe 06045	26.08 19 08	PExB 26045	16.08 19 08	PExi 16045	75 x 190 x 75	530
06.08 23 06	PExe 06050	26.08 23 06	PExB 26050	16.08 23 06	PExi 16050	75 x 230 x 56	575
06.08 23 08	PExe 06055	26.08 23 08	PExB 26055	16.08 23 08	PExi 16055	75 x 230 x 75	670
06.12 12 09	PExe 06060	26.12 12 09	PExB 26060	16.12 12 09	PExi 16060	120 x 122 x 91	750
06.12 22 09	PExe 06065	26.12 22 09	PExB 26065	16.12 22 09	PExi 16065	120 x 220 x 91	1060
06.16 16 09	PExe 06070	26.16 16 09	PExB 26070	16.16 16 09	PExi 16070	160 x 160 x 91	1290
06.16 26 09	PExe 06075	26.16 26 09	PExB 26075	16.16 26 09	PExi 16075	160 x 260 x 91	1710
06.16 36 09	PExe 06080	26.16 36 09	PExB 26080	16.16 36 09	PExi 16080	160 x 360 x 91	2150
06.16 56 09	PExe 06085	26.16 56 09	PExB 26085	16.16 56 09	PExi 16085	160 x 560 x 91	3185
06.25 26 12	PExe 06090	26.25 26 12	PExB 26090	16.25 26 12	PExi 16090	250 x 255 x 121	2650
06.25 26 16	PExe 06095	26.25 26 16	PExB 26095	16.25 26 16	PExi 16095	250 x 255 x 161	3275
06.25 40 12	PExe 06100	26.25 40 12	PExB 26100	16.25 40 12	PExi 16100	250 x 400 x 121	3650
06.25 40 16	PExe 06105	26.25 40 16	PExB 26105	16.25 40 16	PExi 16105	250 x 400 x 161	4800
06.25 60 12	PExe 06110	26.25 60 12	PExB 26110	16.25 60 12	PExi 16115	250 x 600 x 121	5235
06.36 36 09	PExe 06115	26.36 36 09	PExB 26115	16.36 36 09	PExi 16120	360 x 360 x 91	4200
06.41 40 12	PExe 06120	26.41 40 12	PExB 26120	16.41 40 12	PExi 16125	405 x 400 x 121	5580
06.41 40 20	PExe 06125	26.41 40 20	PExB 26125	16.41 40 20	PExi 16130	405 x 400 x 201	6650



Polyester Ex

Terminal mounting

DIN rail	Phoenix Contact												Bartec				
	TS 15	TS 15	TS 35	TS 35	TS 35	TS 35	TS 35	TS 35	TS 35	TS 35	TS 35	TS 35					
Nominal cross section (mm ²)	2,5	4	2,5	4	6	10	16	35	50	95	150	240					
Voltage (V)	352	352	690	690	690	690	690	690	690	880	1100	1100					
Terminal width (mm)	5,2	6,2	5,2	6,2	8,2	10,2	12,2	16,2	20	25	31	36					
Terminal type																	
Enclosure type	MUT 2,5	MUT 4	UT 2,5	UT 4	UT 6	UT 10	UT 16	UT 35	UKH 50	UKH 95	UKH 150	UKH 240	PE bar 1,5 to 6 mm ²	Sheath clamp (2 x 4 mm ² , 3 x 2,5 mm ² each clamp)	Sheath clamp (2 x 6 mm ² , 3 x 4 mm ² , 4 x 2,5 mm ² each clamp)	Ex Mini terminals	Ex Mini terminals blue
XX.08 08 06	7	6												2		3	3
XX.08 08 08	7	6												2			
XX.08 11 06	13	11												4			
XX.08 11 08	13	11												4			
XX.08 16 06	22	19												4			
XX.08 16 08	22	19												4			
XX.08 19 06	28	23												4			
XX.08 19 08	28	23												4			
XX.08 23 06	36	30												4			
XX.08 23 08	36	30												4			
XX.12 12 09	12	10	12	10	7	6	5								2		
XX.12 22 09	32	26	32	26	20	16	13								4		
XX.16 16 09	20	16	20	16	12	10	8	6					10				
XX.16 26 09	39	33	39	33	25	20	16	12					22				
XX.16 36 09	58	48	58	48	36	29	24	18					32				
XX.16 56 09	97	81	97	81	61	49	41	31					52				
XX.25 26 12	74	62	74	62	48	19	16	12	9				22				
XX.25 26 16	74	62	74	62	48	19	16	12	9	7			22				
XX.25 40 12	130	110	130	110	82	33	28	21	17				38				
XX.25 40 16	130	110	130	110	82	33	28	21	17	13			38				
XX.25 60 12	208	174	208	174	132	53	44	33	27				58				
XX.36 36 09	174	147	174	147	74	58	48	36					32				
XX.41 40 12	195	165	195	165	123	66	56	21	17				38				
XX.41 40 20	195	165	195	165	123	66	56	21	17	13	11	9	38				

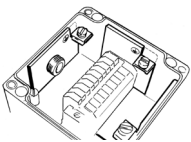
Other suppliers on request

Polyester Ex

Accessories

Order no.	DIN rails	Mounting plate
XX.08 08 06	•	•
XX.08 08 08	•	•
XX.08 11 06	•	•
XX.08 11 08	•	•
XX.08 16 06	•	•
XX.08 16 08	•	•
XX.08 19 06	•	•
XX.08 19 08	•	•
XX.08 23 06	•	
XX.08 23 08	•	
XX.12 12 09	•	•
XX.12 22 09	•	•
XX.16 16 09	•	•
XX.16 26 09	•	•
XX.16 36 09	•	•
XX.16 56 09	•	•
XX.25 26 12	•	•
XX.25 26 16	•	•
XX.25 40 12	•	•
XX.25 40 16	•	•
XX.25 60 12	•	•
XX.36 36 09	•	•
XX.41 40 12	•	•
XX.41 40 20	•	•

Continuity plate



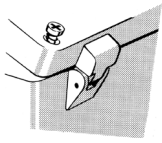
Order no.	Version
10.01 60 19	for XX.08 08 06, XX.08 11 06, XX.08 16 06, XX.08 19 06, XX.08 23 06
10.01 60 20	for XX.12 12 09, XX.12 22 09
10.01 60 21	for, XX.16 16 09, XX.16 26 09, XX.16 36 09, XX.16 56 09
10.01 60 22	for XX.36 36 09
10.01 60 23	for XX.25 26 12, XX.25 26 16, XX.25 40 12, XX.25 40 16, XX.41 40 12, XX.25 60 12
10.01 60 24	for XX.08 08 08, XX.08 11 08, XX.08 16 08, XX.08 19 08, XX.08 23 08
10.01 60 25	for XX.41 40 20



Polyester Ex

Accessories

External hinges

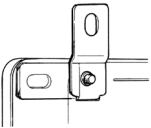


Swivelling range 150°,
set = 2 pcs

Order no.

10.02 70 01

External mounting brackets



set = 4 pcs

Order no.

Version

10.03 11 01 for XX.08 08 06 - XX.10 20 08

10.03 11 02 for XX.12 12 08 - XX.31 60 18, XX.14 01 00 - XX.14 03 00

10.03 10 08 for XX.20 20 00, XX.20 30 00

DIN rails



Order no.

Version

10.06 10 03 TS 15 for XX.08 08 06, XX.08 08 08

10.06 11 02 TS 15 for XX.08 11 06, XX.08 11 08

10.06 10 08 TS 15 for XX.08 16 06, XX.08 16 08

10.06 10 10 TS 15 for XX.08 19 06, XX.08 19 08

10.06 11 05 TS 15 for XX.08 23 06, XX.08 23 08

10.06 14 21 TS 35/7.5 for XX.12 12 09

10.06 14 22 TS 35/7.5 for XX.12 22 09

10.06 14 23 TS 35/7.5 for XX.16 16 09

10.06 14 24 TS 35/7.5 for XX.16 26 09

10.06 14 25 TS 35/7.5 for XX.16 36 09

10.06 14 26 TS 35/7.5 for XX.16 56 09

10.06 14 34 TS 35/7.5 for XX.25 26 12, XX.25 26 16

10.06 14 27 TS 35/7.5 for XX.25 40 12, XX.25 40 16

10.06 14 28 TS 35/7.5 for XX.25 60 12

PE bar



Order no.

Version

12.05 42 62 for XX.16 16 09

12.05 42 63 for XX.16 26 09, XX.25 26 12, XX.25 26 16

12.05 42 64 for XX.16 36 09, XX.36 36 09

12.05 42 65 for XX.16 56 09

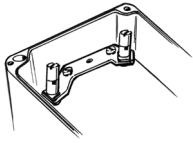
12.05 42 68 for XX.25 40 12, XX.25 40 16, XX.41 40 12, XX.41 40 20

12.05 42 70 for XX.25 60 12

Polyester Ex

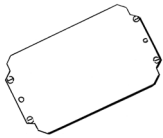
Accessories

PE busbar



Order no.	Version
12.05 30 03	for XX.08 08 06 - XX.08 16 08
12.05 30 04	for XX.08 19 06 - XX.08 23 08
12.05 30 05	for XX.12 12 09 - XX.12 22 09

Mounting plate



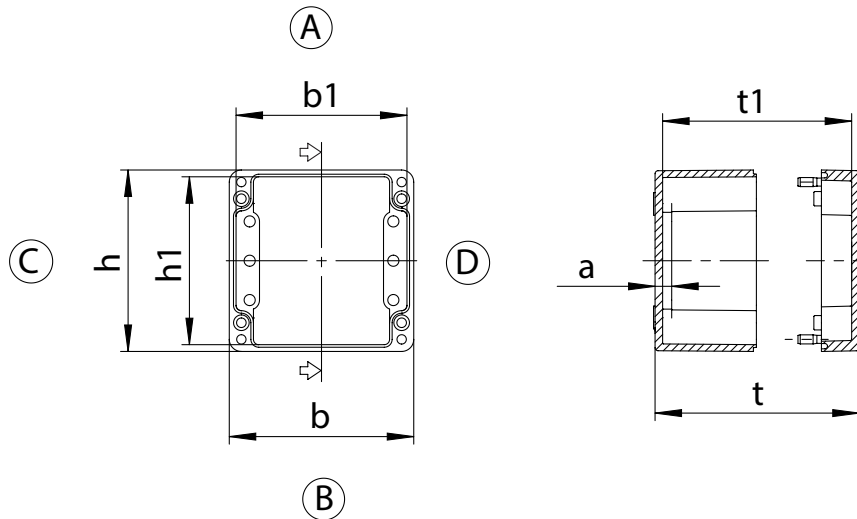
Order no.	Version
10.01 11 01	for XX.08 08 06, XX.08 08 08
10.01 11 03	for XX.08 11 06, XX.08 11 08
10.01 11 05	for XX.08 16 06, XX.08 16 08
10.01 11 07	for XX.08 19 06, XX.08 19 08
10.01 10 07	for XX.12 12 08, XX.12 12 09
10.01 10 08	for XX.12 22 08, XX.12 22 09
10.01 10 10	for XX.16 16 09
10.01 10 11	for XX.16 26 09
10.01 10 12	for XX.16 36 09
10.01 10 13	for XX.16 56 09
10.01 11 15	for XX.25 26 12, XX.25 26 16
10.01 11 16	for XX.25 40 12, XX.25 40 16
10.01 11 17	for XX.25 60 12
10.01 11 18	for XX.36 36 09
10.01 11 19	for XX.41 40 12, XX.41 40 20



Polyester Ex

Technical details

Order no.	b	h	t	b1	h1	t1	a
XX.08 08 06	80	75	56	71	66	46	10,5
XX.08 08 08	80	75	75	71	66	65	10,5
XX.12 12 09	122	120	91	113	111	80	11
XX.16 16 09	160	160	91	148	141	79	11,5
XX.36 36 09	360	360	91	348	348	79	11,5
XX.41 40 12	400	405	121	388	393	109	11,5
XX.41 40 20	401	406	201	388	393	189	11,5

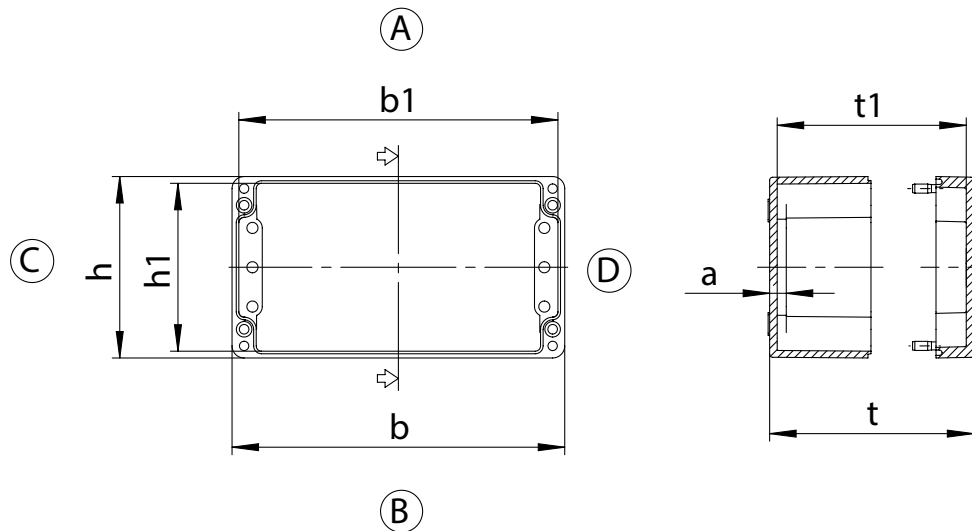


For detailed drawings visit www.rose-systemtechnik.com

Polyester Ex

Technical details

Order no.	b	h	t	b1	h1	t1	a
XX.08 11 06	110	75	56	101	66	46	10,5
XX.08 11 08	110	75	75	101	66	65	10,5
XX.08 16 06	160	75	56	151	66	46	10,5
XX.08 16 08	160	75	75	151	66	65	10,5
XX.08 19 06	190	75	56	181	66	46	10,5
XX.08 19 08	190	75	75	181	66	65	10,5
XX.08 23 06	230	75	56	221	66	46	10,5
XX.08 23 08	230	75	75	221	66	65	10,5
XX.12 22 09	220	120	91	211	111	80	11
XX.16 26 09	260	160	91	248	141	79	11,5
XX.16 36 09	360	160	91	348	141	79	11,5
XX.16 56 09	560	160	91	548	148	79	11,5
XX.25 26 12	255	250	121	243	238	109	11,5
XX.25 26 16	255	250	161	243	238	149	11,5
XX.25 40 12	400	250	121	388	238	109	11,5
XX.25 40 16	400	250	161	388	238	149	11,5
XX.25 60 12	600	250	121	588	238	109	11,5



For detailed drawings visit www.rose-systemtechnik.com



PExcom - pre-assembled polyester Ex enclosures



- + Ready to install
- + Available within 48 h
- + Pre-assembled: Fitting with terminals and cable glands

Included in delivery

Ex polyester enclosure with DIN rail and terminals (Phoenix Contact MUT 4 or UT 4) and plastic glands with ATEX and IECEX approval.

Technical Data

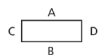
Explosion protection	II 2 G Ex eb IIC T6 Gb II 2 D Ex tb IIIC T 70 °C
Certificates	PTB 00 ATEX 1002 IECEX PTB 08.0004
Material	glass fibre reinforced duroplastic polyester, graphite added
Colour	RAL 9011, graphite black
Ingress protection	IP66 to EN 60529
Impact resistance	7 Joule to EN 60079-0
Flammability	self-extinguishing, UL 94 V-0
Surface resistance	10^9 Ohm to IEC 60093
Toxicity	halogen free
Ambient temperature range	-55 °C to + 85 °C

PExcom - pre-assembled polyester Ex enclosures

Product range

Order No.	Type	B x L x H (mm)	Execution
06.08 08 06 4	PExcom 1	75 x 80 x 56	Fitting with terminals and cable glands
06.12 12 09 4	PExcom 2	120 x 122 x 91	Fitting with terminals and cable glands
06.16 16 09 4	PExcom 3	160 x 160 x 91	Fitting with terminals and cable glands
06.16 26 09 4	PExcom 4	160 x 260 x 91	Fitting with terminals and cable glands

Technical details



Type	Order No.	Dimensions (mm) H x W x D	Execution
PExcom 1	06.08 08 06 4	75 x 80 x 56	Fitting: TS 15 with 4 x Phoenix Contact MUT 2,5; 2 x Phoenix Contact MUT 2,5 PE Cable entry: Side A: 1 x M20 (Ø 6-12 mm) Side B: 2 x M16 (Ø 5-8 mm)



Type	Order No.	Dimensions (mm) H x W x D	Execution
PExcom 2	06.12 12 09 4	120 x 122 x 91	Fitting: TS 35/7,5 with 9 x Phoenix Contact UT 4; 2 x Phoenix Contact UT 4 PE Cable entry: Side B: 4 x M20 (Ø 6-12 mm)



Type	Order No.	Dimensions (mm) H x W x D	Execution
PExcom 3	06.16 16 09 4	160 x 160 x 91	Fitting: TS 35/7,5 with 14 x Phoenix Contact UT 4; 3 x Phoenix Contact UT 4 PE Cable entry: Side B: 6 x M20 (Ø 6-12 mm)



Type	Order No.	Dimensions (mm) H x W x D	Execution
PExcom 4	06.16 26 09 4	160 x 260 x 91	Fitting: TS 35/7,5 with 25 x Phoenix Contact UT 4; 4 x Phoenix Contact UT 4 PE Cable entry: Side B: 1 x M32 (Ø 18-25 mm) and 8 x M20 (Ø 6-12 mm)

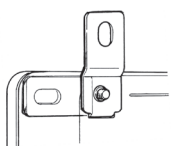
External mounting brackets

Set = 4 pcs.

Order No.

10.03 11 01 for 06.08 08 06 4

10.03 11 02 for 06.12 12 09 4 to 06.16 26 09 4



Polyester Ex CombiBox



- + Polyester GRP enclosure systems for use in hazardous areas
- + Available as a component (U approval) or as a fully certified device including the installation of terminals or electronic equipment
- + Two level fitting possibility
- + With window optional

Included in delivery

Empty enclosure: Base and top with silicon seal, internal fixing, sleeves for base mounting, 4 polyamide system elements for individual height adjustment.
 Junction box: Enclosure system -as before- with individual fitting, DIN rails, terminals, cable gland

Technical datas

Explosion protection	II 2 G Ex eb IIC T6/T5/T4 Gb II 2 G Ex ia IIC T6/T5/T4 Gb II 2 G Ex db eb ia [ia] mb IIC T6/T5/T4 Gb II 3 G Ex eb db mb ia [ia Ga] nA nC [op is] IIC T6, T5, T4 Gc II 2 D Ex tb IIIC T85 °C/T100 °C/T135 °C Db IP66
Certificates	PTB 00 ATEX 1002 IECEX PTB 08.0004 EAC RU C-DE.AA87.B.00637
Material	glass fibre reinforced duroplastic polyester, graphite added
Colour	RAL 9011, graphite black
Ingress protection	IP66 to EN 60529
Impact resistance	7 Joule to EN 60079-0
Flammability	self-extinguishing, UL 94 V-0
Surface resistance	<10 ⁹ Ohm to IEC 60093
Toxicity	halogen free
Ambient temperature range	-55 °C to +135 °C
Other execution on request	EMC

Polyester Ex CombiBox

Product overview

Ex e		Ex Empty		Ex i		Dimensions H x W x D (mm)	Weight (g)
Order no.	Product type	Order no.	Product type	Order no.	Product type		
06.01 22 15	CB 1 Exe	26.01 22 15	CB 1 ExB	16.01 22 15	CB 1 Exi	177 x 177 x 145	1710
06.01 24 15	CB 2 Exe	26.01 24 15	CB 2 ExB	16.01 24 15	CB 2 Exi	360 x 177 x 145	2730
06.01 44 15	CB 3 Exe	26.01 44 15	CB 3 ExB	16.01 44 15	CB 3 Exi	360 x 360 x 145	4050

Terminal mounting

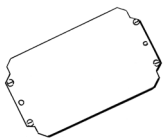
DIN rail	Phoenix Contact										
	TS 15	TS 15	TS 35	TS 35	TS 35	TS 35	TS 35	TS 35	TS 35	TS 35	TS 35
Nominal cross section (mm ²)	2,5	4	2,5	4	6	10	16	35	50	95	150
Spannung (V)	352	352	690	690	690	690	690	690	690	880	1100
Terminal width (mm)	5,2	6,2	5,2	6,2	8,2	10,2	12,2	16,2	20	25	31
Terminal type											
Enclosure type	MUT 2,5	MUT 4	UT 2,5	UT 4	UT 6	UT 10	UT 16	UT 35	UKH 50	UKH 95	UKH 150
XX.01 22 15	22	18	22	18	14	11	9	7			
XX.01 24 15	54	45	54	45	34	27	23	17			
XX.01 44 15	216	135	216	135	102	81	46	34	28	11	11

Other suppliers on request

Accessories

Order no.	Connecting flange	DIN rails	Mounting plate
XX.01 22 15	•	•	•
XX.01 24 15	•	•	•
XX.01 44 15	•	•	•

Mounting plate



Order no. Version

02.01 99 10	for CombiBox 1
02.01 99 11	for CombiBox 2
02.01 99 12	for CombiBox 3

PE bar



Order no. Version

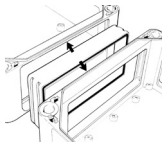
10.06 80 03	for XX.01 22 15, lengthwise mounted
10.06 80 04	for XX.01 22 15, XX.01 24 15, crosswise mounted
10.06 80 05	for XX.01 24 15, XX.01 44 15, lengthwise mounted
10.06 80 06	for XX.01 44 15, crosswise mounted



Polyester Ex CombiBox

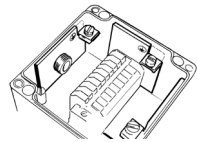
Accessories

Connecting flange



Order no.	Version
26.01 99 01	Connecting flange

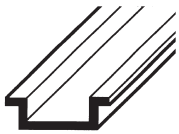
Continuity plate



for side A/B

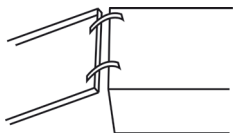
Order no.	Version
10.10 00 01	for XX.01 22 15
10.10 00 02	for XX.01 24 15

DIN rails



Order no.	Version
10.06 14 86	TS 35/7.5 for XX.01 22 15 on mounting frame
10.06 14 87	TS 35/7.5 for XX.01 22 15
10.06 14 85	TS 35/7.5 for XX.01 22 15, XX.01 24 15 crosswise
10.06 14 88	TS 35/7.5 for XX.01 24 15 lengthwise, XX.01 44 15

Lid safety strip



Order no.	Version
02.01 99 06	Set = 2 pcs

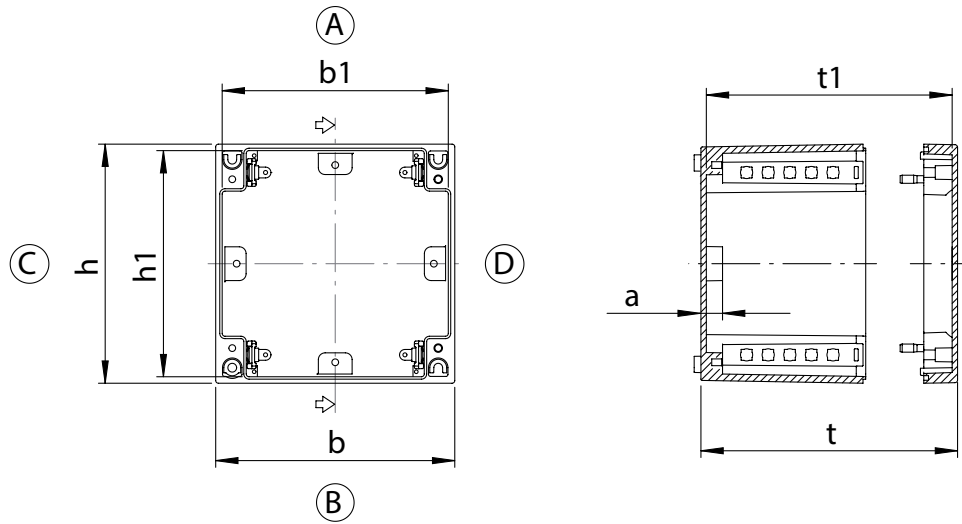
Mounting frame

Order no.	Version
02.01 99 02	for Combibox 1
02.01 99 03	for Combibox 2
02.01 99 04	for Combibox 3

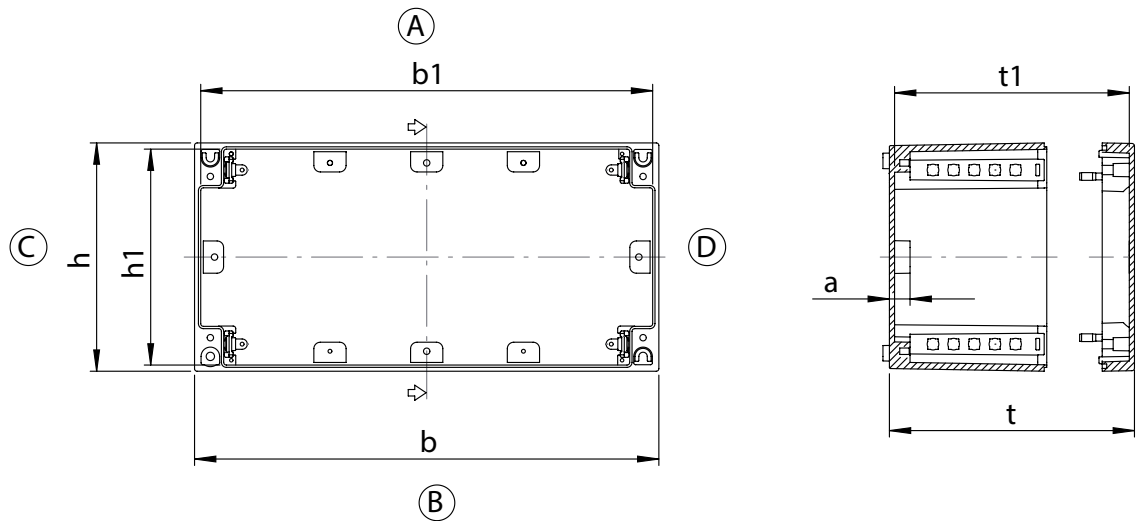
Polyester Ex CombiBox

Technical details

Order no.	b	h	t	b1	h1	t1	a
XX.01 22 15	177	177	145	169	169	137	16
XX.01 44 15	360	360	145	352	352	137	16



Order no.	b	h	t	b1	h1	t1	a
XX.01 24 15	360	177	145	352	169	137	16



For detailed drawings visit www.rose-systemtechnik.com



Polyester Ex Flange



- + Glass fibre reinforced enclosure system of polyester resin for use in hazardous areas
- + Available as a component (U approval) or as a fully certified device including the installation of terminals or electronic equipment
- + With window optional
- + Combination with other polyester flange enclosures possible

Included in delivery

Empty enclosure: Enclosure system with blind flange and silicone lid seal, polyurethane seal
 Junction box: Enclosure system - depending on version either with silicone seal, continuity plate, DIN rails, internal earthing connection, terminals, manufacturing, cable glands

Technical datas

Explosion protection	II 2 G Ex eb IIC T6/T5/T4 Gb II 2 G Ex ia IIC T6/T5/T4 Gb II 2 G Ex db eb ia [ia] mb IIC T6/T5/T4 Gb II 3 G Ex eb db mb ia [ia Ga] nA nC [op is] IIC T6, T5, T4 Gc II 2 D Ex tb IIIC T85 °C/T100 °C/T135 °C Db IP65
Certificates	PTB 00 ATEX 1002 IECEX PTB 08.0004 EAC RU C-DE.AA87.B.00637
Material	glass fibre reinforced duroplastic polyester, graphite added
Colour	RAL 9011, graphite black
Ingress protection	IP65 to EN 60529
Impact resistance	7 Joule to EN 60079-0
Flammability	self-extinguishing, UL 94 V-0
Surface resistance	<10 ⁹ Ohm to IEC 60093
Toxicity	halogen free
Ambient temperature range	-55 °C to +135 °C
Other execution on request	EMC

Polyester Ex Flange

Product overview

Ex e	Ex Empty		Ex i			Dimensions H x W x D (mm)	Weight (g)
Order no.	Product type	Order no.	Product type	Order no.	Product type		
06.14 01 00	PFEExe 0610	26.14 01 00	PFEExB 0610	16.14 01 00	PFEExi 0610	170 x 270 x 136	1690
06.14 02 00	PFEExe 0620	26.14 02 00	PFEExB 0620	16.14 02 00	PFEExi 0620	270 x 270 x 136	1900
06.14 03 00	PFEExe 0630	26.14 03 00	PFEExB 0630	16.14 03 00	PFEExi 0630	270 x 541 x 136	3350

Terminal mounting

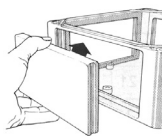
DIN rail	Phoenix Contact											
	TS 15	TS 15	TS 35	TS 35	TS 35	TS 35	TS 35	TS 35	TS 35			
Nominal cross section (mm ²)	2,5	4	2,5	4	6	10	16	35	50			
Voltage (V)	352	352	690	690	690	690	690	690	690			
Terminal width (mm)	5,2	6,2	5,2	6,2	8,2	10,2	12,2	16,2	20			
Terminal type												
Enclosure type	MUT 2,5	MUT 4	UT 2,5	UT 4	UT 6	UT 10	UT 16	UT 35	UKH 50			PE bar 1,5 to 6 mm ²
XX.14 01 00	42	35	42	35	26	21	18	13				20
XX.14 02 00	72	60	72	60	46	36	28	22				20
XX.14 03 00	176	148	176	148	112	90	74	56	50			48

Other suppliers on request

Accessories

Order no.	DIN rails	Mounting plate
XX.14 01 00	•	•
XX.14 02 00	•	•
XX.14 03 00	•	•

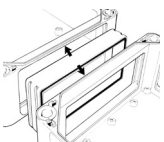
Blind flange



Order no. Version

06.14 00 20 for XX.14 01 00 - XX.14 03 00

Connecting flange



Order no. Version

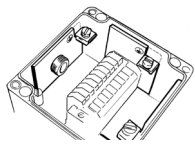
06.14 00 25 Connecting flange



Polyester Ex Flange

Accessories

Continuity plate



for side A/B

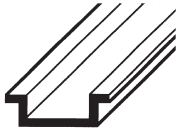
Order no. Version

12.05 52 80 for XX.14 01 00

12.05 52 81 for XX.14 02 00

12.05 52 82 for XX.14 03 00

DIN rails



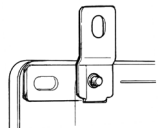
Order no. Version

10.06 17 21 TS 35/7.5 for XX.14 01 00

10.06 17 22 TS 35/7.5 for XX.14 02 00

10.06 17 23 TS 35/7.5 for XX.14 03 00

External mounting brackets

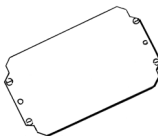


set = 4 pcs

Order no. Version

10.03 11 02 for XX.14 01 00 - XX.14 03 00

Mounting plate



Order no. Version

14.00 00 11 for XX.14 01 00

14.00 00 12 for XX.14 02 00

14.00 00 13 for XX.14 03 00

PE bar



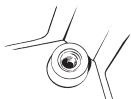
Order no. Version

12.05 42 80 for XX.14 01 00

12.05 42 81 for XX.14 02 00

12.05 42 82 for XX.14 03 00

Threaded insert



Set = 10 pcs

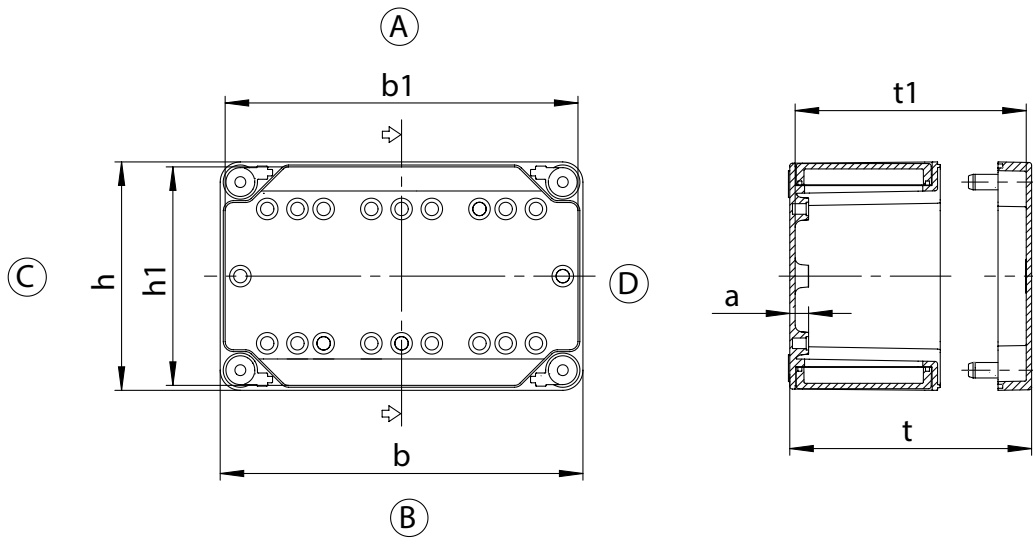
Order no.

10.03 50 02

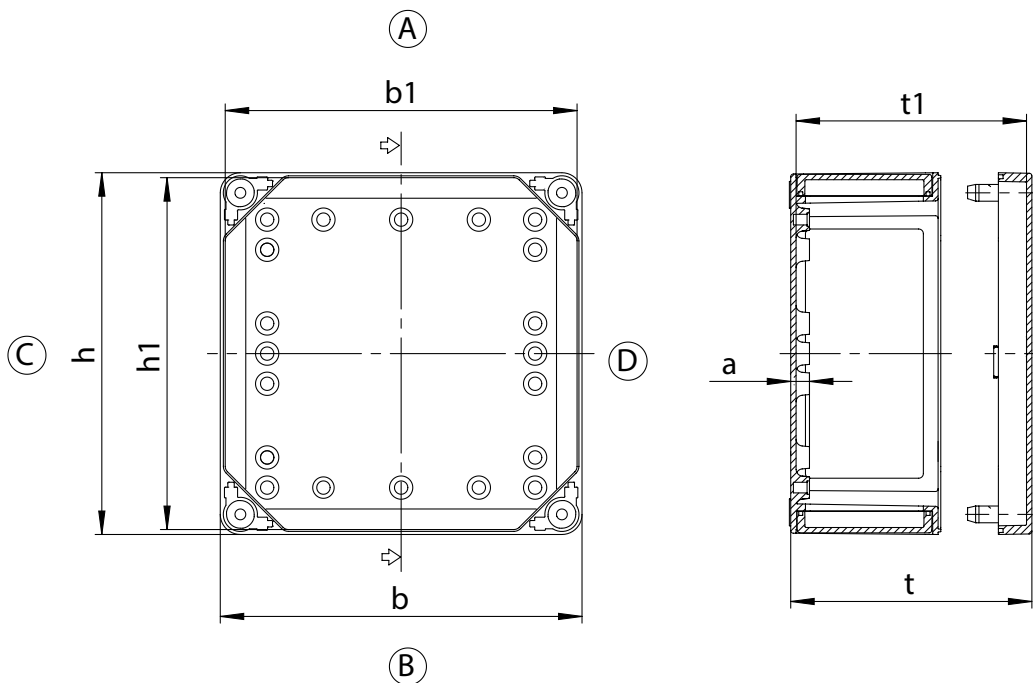
Polyester Ex Flange

Technical details

Order no.	b	h	t	b1	h1	t1	a
XX.14 01 00	270	170	136	257	157	127	14
XX.14 03 00	541	170	136	528	157	127	14



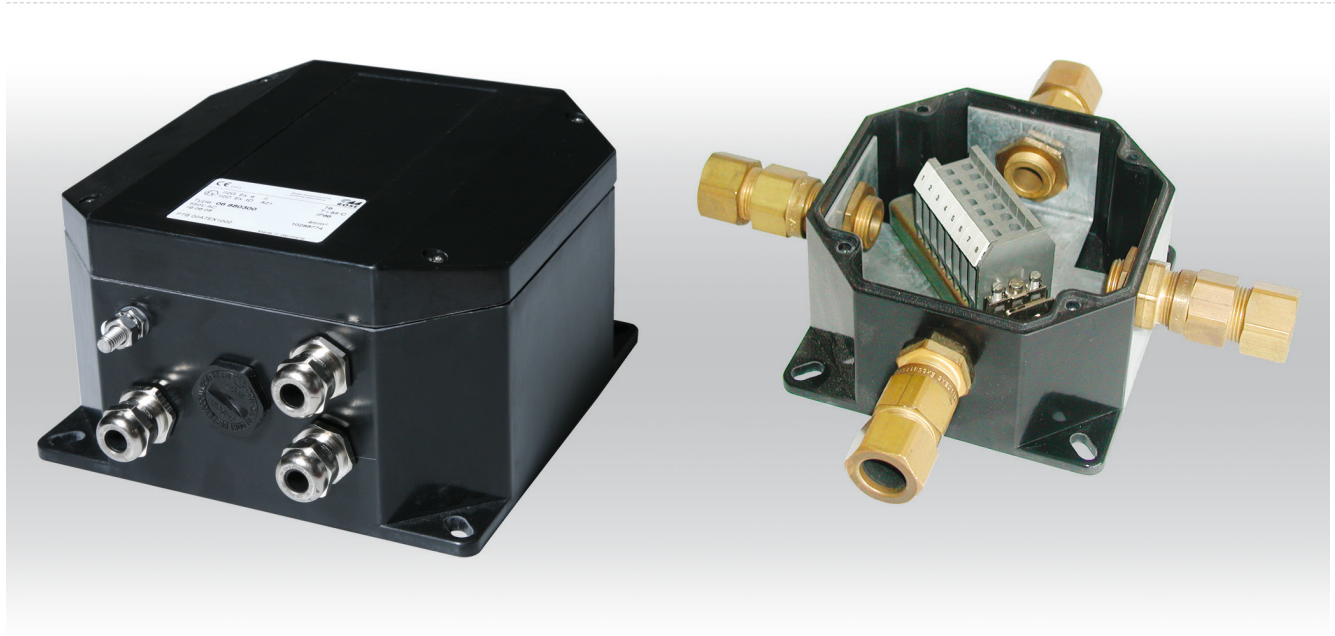
Order no.	b	h	t	b1	h1	t1	a
XX.14 02 00	270	270	136	257	257	127	14



For detailed drawings visit www.rose-systemtechnik.com



Polyester Ex Okta Box



- + Glass fibre reinforced enclosure system of polyester-resin for use in hazardous areas
- + Available as a component (U approval) or as a fully certified device including the installation of terminals or electronic equipment
- + Enclosures with external brackets

Included in delivery
 Empty enclosure: Enclosure with silicone seal
 Junction box: Enclosure system - depending on version either with silicone seal, continuity plate, DIN rails, internal earthing connection, terminals, manufacturing, cable glands

Technical datas

Explosion protection	II 2 G Ex eb IIC T6/T5/T4 Gb II 2 G Ex ia IIC T6/T5/T4 Gb II 2 G Ex db eb ia [ia] mb IIC T6/T5/T4 Gb II 3 G Ex eb db mb ia [ia Ga] nA nC [op is] IIC T6, T5, T4 Gc II 2 D Ex tb IIIC T85 °C/T100 °C/T135 °C Db IP66
Certificates	PTB 00 ATEX 1002 IECEX PTB 08.0004 EAC RU C-DE.AA87.B.00637
Material	glass fibre reinforced duroplastic polyester, graphite added
Colour	RAL 9011, graphite black
Ingress protection	IP66 to EN 60529
Impact resistance	7 Joule to EN 60079-0
Flammability	self-extinguishing, UL 94 V-0
Surface resistance	<10 ⁹ Ohm to IEC 60093
Toxicity	halogen free
Ambient temperature range	-55 °C to +135 °C
Other execution on request	EMC

Polyester Ex Okta Box

Product overview

Ex e		Ex Empty		Ex i		Dimensions H x W x D (mm)	Weight (g)
Order no.	Product type	Order no.	Product type	Order no.	Product type		
06.88 01 00	Okta Exe 0601	26.88 01 00	Okta ExB 2601	16.88 01 00	Okta Exi 1601	81 x 81 x 75	320
06.88 02 00	Okta Exe 0602	26.88 02 00	Okta ExB 2602	16.88 02 00	Okta Exi 1602	121 x 121 x 75	500
06.88 03 00	Okta Exe 0603	26.88 03 00	Okta ExB 2603	16.88 03 00	Okta Exi 1603	161 x 161 x 93	320
06.88 04 00	Okta Exe 0604	26.88 04 00	Okta ExB 2604	16.88 04 00	Okta Exi 1604	200 x 200 x 125	2100

Terminal mounting

	Phoenix Contact													
	TS 15	TS 15	TS 35	TS 35	TS 35	TS 35	TS 35	TS 35	TS 35	TS 35				
DIN rail	TS 15	TS 15	TS 35	TS 35	TS 35	TS 35	TS 35	TS 35	TS 35	TS 35				
Nominal cross section (mm ²)	2,5	4	2,5	4	6	10	16	35	50					
Voltage (V)	352	352	690	690	690	690	690	690	690					
Terminal width (mm)	5,2	6,2	5,2	6,2	8,2	10,2	12,2	16,2	20					
Terminal type														
Enclosure type	MUT 2,5	MUT 4	UT 2,5	UT 4	UT 6	UT 10	UT 16	UT 35	UKH 50					Sheath clamp (2 x 4 mm ² each clamp)
XX.88 01 00														2
XX.88 02 00	13	11	13	11	8	7								2
XX.88 03 00	20	17	20	17	13	10	8							2
XX.88 04 00	28	23	28	23	18	14	12	9	7					2

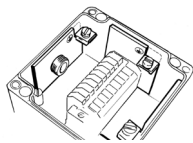
Other suppliers on request



Polyester Ex Okta Box

Accessories

Continuity plate



Order no.	Version
10.01 60 15	for XX.88 01 00
10.01 60 16	for XX.88 02 00
10.01 60 17	for XX.88 03 00
10.01 60 18	for XX.88 04 00

DIN rails

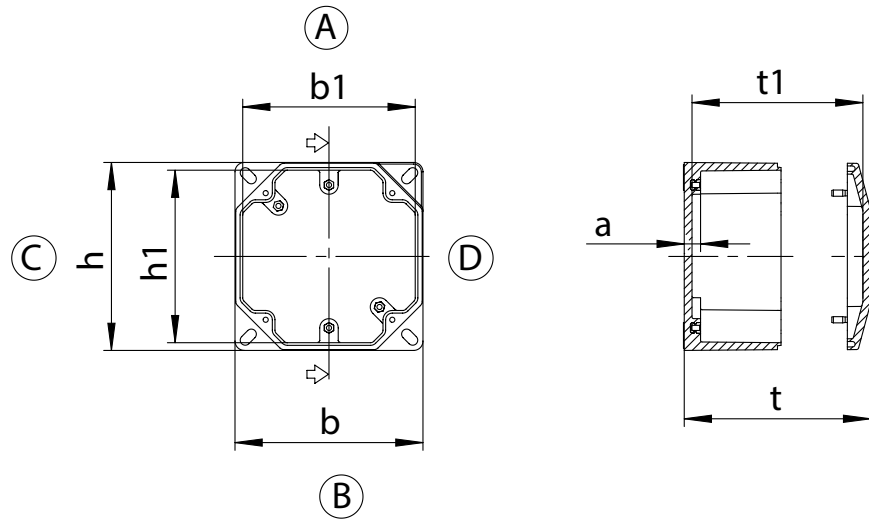


Order no.	Version
12.01 02 90	DIN rail TS 15 for XX.88 01 00 lengthwise mounted
12.01 02 93	DIN rail TS 15 for XX.88 01 00 diagonally mounted
12.01 12 91	DIN rail TS 35 for XX.88 01 00 lengthwise mounted
12.01 02 91	DIN rail TS 15 for XX.88 02 00 lengthwise / diagonally mounted
12.01 12 92	DIN rail TS 35 for XX.88 02 00 lengthwise mounted
12.01 02 92	DIN rail TS 15 for XX.88 03 00 lengthwise mounted
12.01 12 95	DIN rail TS 35 for XX.88 03 00 diagonally mounted
12.01 12 93	DIN rail TS 35 for XX.88 03 00 lengthwise mounted
12.01 02 95	DIN rail TS 15 for XX.88 04 00 lengthwise mounted
12.01 02 97	DIN rail TS 15 for XX.88 04 00 diagonally mounted
12.01 12 94	DIN rail TS 35 for XX.88 04 00 diagonally mounted

Polyester Ex Okta Box

Technical details

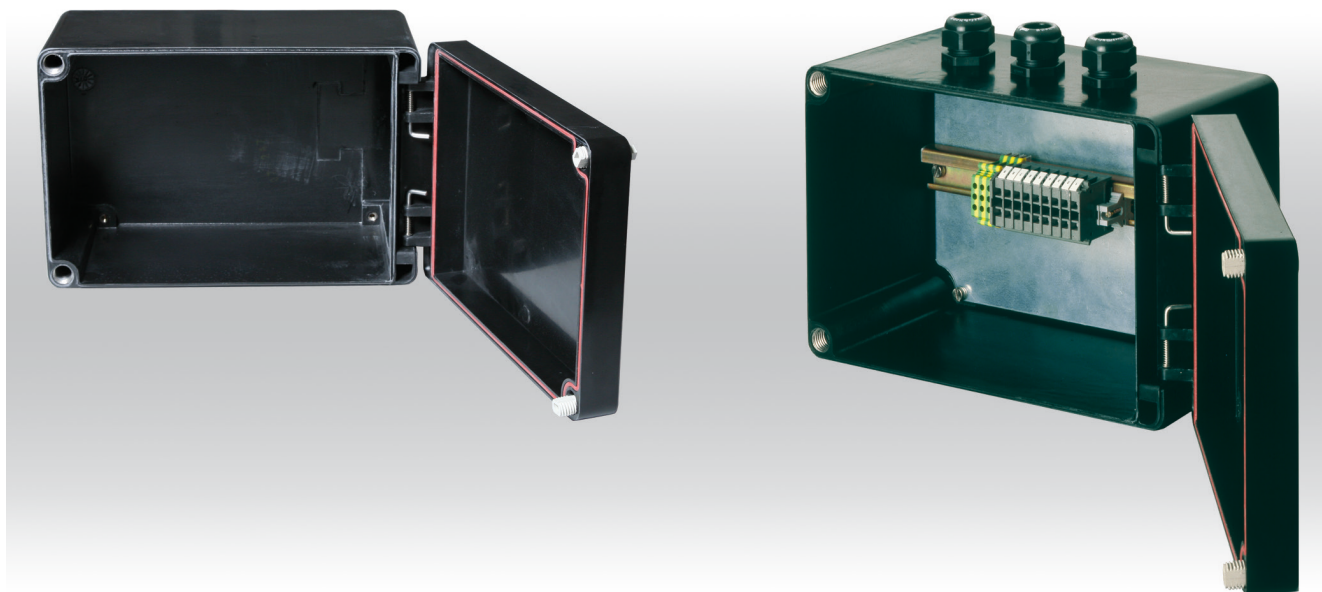
Order no.	b	h	t	b1	h1	t1	a
XX.88 01 00	81	81	75	71	71	65	10,5
XX.88 02 00	121	121	75	111	111	65	10,5
XX.88 03 00	161	161	93	151	151	83	10,5
XX.88 04 00	201	201	125	188	188	110	14,5



For detailed drawings visit www.rose-systemtechnik.com



Polyester Ex cabinets Polyglas



- + Polyester Ex enclosure with hinged lid
- + Easy fitting of Ex components
- + Available as a component (U approval) or as a fully certified device including the installation of terminals or electronic equipment

Included in delivery

Empty enclosure: Enclosure with silicone seal and square lock.

Junction box: Enclosure system - depending on version with silicone seal, continuity plate, with DIN rails, internal earthing connections, terminals, manufacturing, cable glands, square lock

Technical datas

Explosion protection	II 2 G Ex eb IIC T6/T5/T4 Gb II 2 G Ex ia IIC T6/T5/T4 Gb II 2 G Ex db eb ia [ia] mb IIC T6/T5/T4 Gb II 3 G Ex eb db mb ia [ia Ga] nA nC [op is] IIC T6, T5, T4 Gc II 2 D Ex tb IIIC T85 °C/T100 °C/T135 °C Db IP66
Certificates	PTB 00 ATEX 1002 IECEX PTB 08.0004 EAC RU C-DE.AA87.B.00637
Material	glass fibre reinforced duroplastic polyester, graphite added
Colour	RAL 9011, graphite black
Ingress protection	IP66 to EN 60529
Impact resistance	7 Joule to EN 60079-0
Flammability	self-extinguishing, UL 94 V-0
Surface resistance	<10 ⁹ Ohm to IEC 60093
Toxicity	halogen free
Ambient temperature range	-55 °C to +135 °C

Polyester Ex cabinets Polyglas

Product overview

Ex e		Ex Empty		Ex i		Dimensions H x W x D (mm)	Weight (g)
Order no.	Product type	Order no.	Product type	Order no.	Product type		
06.20 20 00	Pog Exe 1	26.20 20 00	Pog ExB 1	16.20 20 00	Pog Exi 1	200 x 200 x 168	1800
06.20 30 00	Pog Exe 2	26.20 30 00	Pog ExB 2	16.20 30 00	Pog Exi 2	200 x 300 x 168	2350
06.30 40 00	Pog Exe 3	26.30 40 00	Pog ExB 3	16.30 40 00	Pog Exi 3	405 x 305 x 202	4100
06.40 60 00	Pog Exe 4	26.40 60 00	Pog ExB 4	16.40 60 00	Pog Exi 4	605 x 405 x 252	7200

Terminal mounting

DIN rail	Phoenix Contact													
	TS 15	TS 15	TS 35	TS 35	TS 35	TS 35	TS 35	TS 35	TS 35	TS 35	TS 35	TS 35		
Nominal cross section (mm ²)	2,5	4	2,5	4	6	10	16	35	50	95	150	240		
Voltage (V)	352	352	690	690	690	690	690	690	690	880	1100	1100		
Terminal width (mm)	5,2	6,2	5,2	6,2	8,2	10,2	12,2	16,2	20	25	31	36		
Terminal type														
Enclosure type	MUT 2,5	MUT 4	UT 2,5	UT 4	UT 6	UT 10	UT 16	UT 35	UKH 50	UKH 95	UKH 150	UKH 240	Sheath clamp (2 x 4 mm ² each clamp)	
XX.20 20 00	25	21	25	21	15	12	10	8					6	
XX.20 30 00	44	37	44	37	28	22	18	14	13				11	
XX.30 40 00	124	110	124	110	84	66	28	21	18	14	11		17	
XX.40 60 00	312	261	312	261	132	106	88	33	28	22	18	10	28	

Other suppliers on request

Accessories

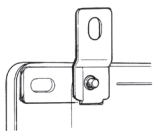
Order no.	External mounting brackets	Mounting plate
XX.20 20 00	•	•
XX.20 30 00	•	•
XX.30 40 00	•	•
XX.40 60 00	•	•



Polyester Ex cabinets Polyglas

Accessories

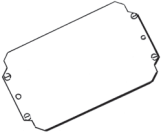
External mounting brackets



set = 4 pcs

Order no.	Version
10.03 10 08	for XX.20 20 00, XX.20 30 00
10.03 10 09	for XX.30 40 00, XX.40 60 00

Mounting plate



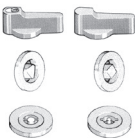
Order no.	Version
10.01 12 01	for XX.20 20 00
10.01 12 02	for XX.20 30 00
10.01 12 03	for XX.30 40 00
10.01 12 04	for XX.40 60 00

Socket wrench



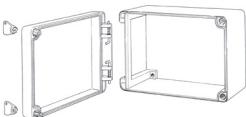
Order no.	Version
10.04 70 03	triangular 8mm
10.04 70 04	square 8mm
10.04 70 05	phillips screw
10.04 70 14	square 7mm
10.04 70 06	Daimler Benz
10.04 70 07	double ward 3mm

Turn bolt fastener



Order no.	Version
21.61 00 03	triangular lock 8mm
21.61 00 04	square lock 8 mm (2 pcs)
21.61 00 14	square lock 7 mm (2 pcs)
21.61 00 06	daimler benz lock (2 pcs)
21.61 00 07	double ward lock 3mm (2 pcs)
21.61 00 01	standard handle (2 pcs)
21.61 00 02	standard handle with lock (2pcs)

locking screws

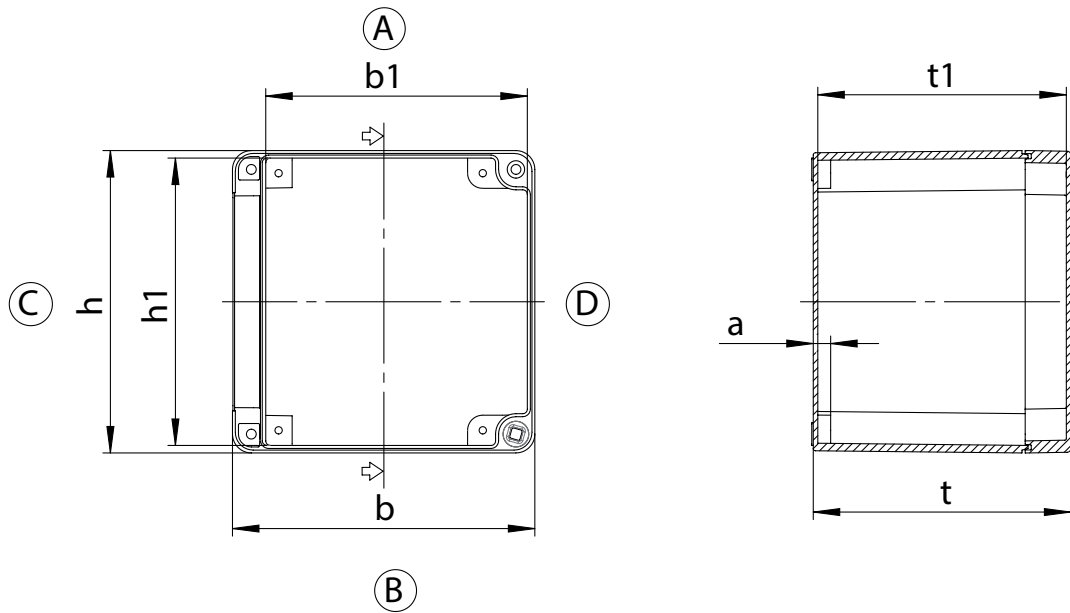


Order no.	Version
21.63 00 03	triangular screw 8mm
21.63 00 04	square screw 8mm (2 pcs)
21.63 00 24	square screw 6mm (2 pcs)
21.63 00 05	phillips screw (2 pcs)

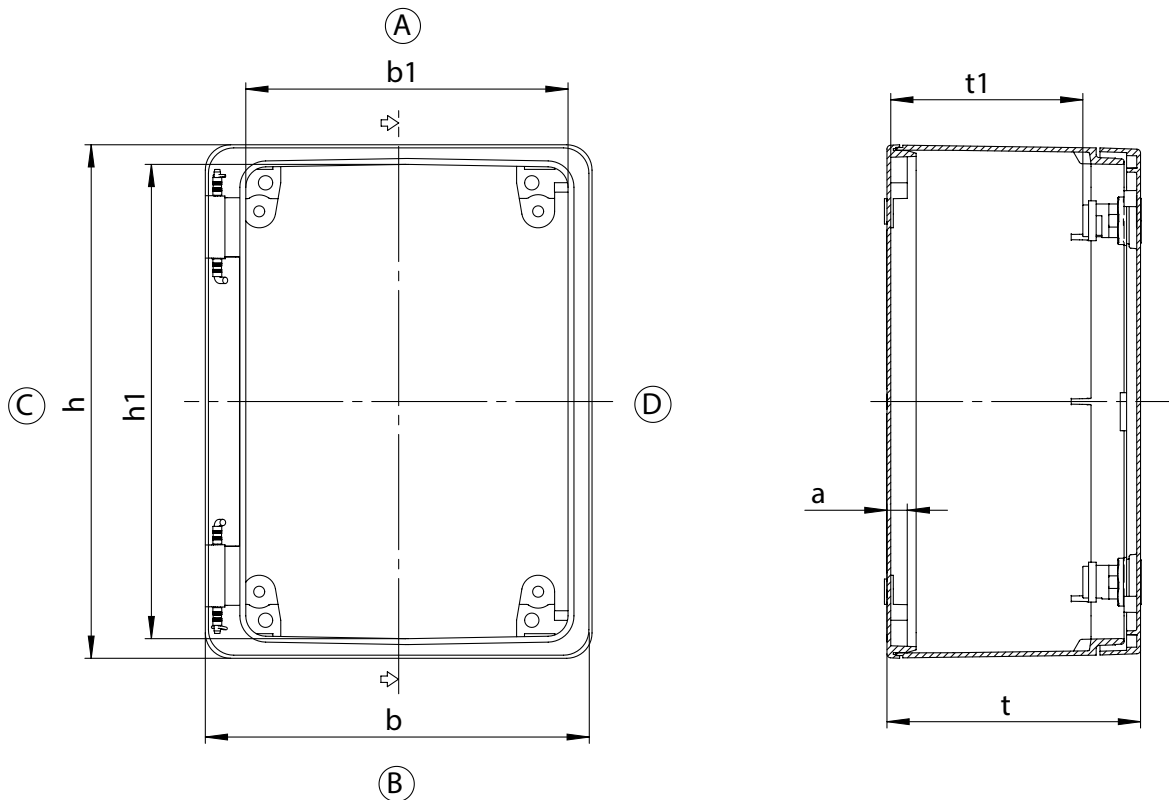
Polyester Ex cabinets Polyglas

Technical details

Order no.	b	h	t	b1	h1	t1	a
XX.20 20 00	200	200	168	173	190	162	8,5
XX.20 30 00	300	200	168	273	190	162	8,5



Order no.	b	h	t	b1	h1	t1	a
XX.30 40 00	305	400	202	254	374	132	16
XX.40 60 00	405	600	252	352	573	181	16



For detailed drawings visit www.rose-systemtechnik.com



Polyester Ex enclosures for mining industry



- + Polyester enclosures with impact resistance of 20 Joule
- + Available as a component (U approval) for individual fittings
- + Silicone seal and allen lid screws

Included in delivery

Empty enclosure: Enclosure system with silicone seal.

Junction box: Enclosure system - depending on version with silicone seal, DIN rails, internal earthing connection, terminals, continuity plate, manufacturing, cable glands.

Technical datas

Explosion protection	I M2 Ex e I I M1 Ex ia I
Certificates	IBExU06ATEX1065U
Material	glass fibre reinforced duroplastic polyester, graphite added
Colour	RAL 9011, graphite black
Ingress protection	IP54 to EN 60529
Impact resistance	20 Joule to EN 60079-0
Flammability	self-extinguishing, UL 94 V-0
Surface resistance	<10 ⁹ Ohm to IEC 60093
Toxicity	halogen free
Ambient temperature range	-55 °C to +100 °C
Other execution on request	EMC

Polyester Ex enclosures for mining industry

Product overview

Ex Empty		Dimensions H x W x D (mm)	Weight (g)
Order no.	Product type		
48.08 11 06	ExM 48010	75 x 110 x 56	295
48.08 16 06	ExM 48015	75 x 160 x 56	405
48.08 19 06	ExM 48020	75 x 190 x 56	450
48.12 12 09	ExM 48025	120 x 122 x 91	750
48.12 22 09	ExM 48030	120 x 220 x 91	1060
48.16 16 09	ExM 48035	160 x 160 x 91	1290
48.16 26 09	ExM 48040	160 x 260 x 91	1710
48.16 36 09	ExM 48045	160 x 360 x 91	2150
48.25 26 12	ExM 48050	250 x 255 x 121	2650
48.25 40 12	ExM 48055	250 x 400 x 121	3650
48.25 60 12	ExM 48060	250 x 600 x 121	5235

Terminal mounting

	Phoenix Contact														Bartec			
	DIN rail	TS 15	TS 15	TS 35	TS 35	TS 35	TS 35	TS 35	TS 35	TS 35	TS 35	TS 35			TS 35			
Nominal cross section (mm ²)	2,5	4	2,5	4	6	10	16	35	50	95	150	240						
Voltage (V)	352	352	690	690	690	690	690	690	690	880	1100	1100						
Terminal width (mm)	5,2	6,2	5,2	6,2	8,2	10,2	12,2	16,2	20	25	31	36						
Terminal type																		
Enclosure type	MUT 2,5	MUT 4	UT 2,5	UT 4	UT 6	UT 10	UT 16	UT 35	UKH 50	UKH 95	UKH 150	UKH 240	PE bar 1,5 to 6 mm ²	Sheath clamp (2 x 4 mm ² , 3 x 2,5 mm ² each clamp)	Sheath clamp (2 x 6 mm ² , 3 x 4 mm ² , 4 x 2,5 mm ² each clamp)	Ex Mini terminals	Ex Mini terminals blue	
48.08 11 06	13	11												4				
48.08 11 08	13	11												4				
48.08 16 06	22	19												4				
48.08 19 06	28	23												4				
48.12 12 09	12	10	12	10	7	6	5								2			
48.12 22 09	32	26	32	26	20	16	13								4			
48.16 16 09	20	16	20	16	12	10	8	6					10					
48.16 26 09	39	33	39	33	25	20	16	12					22					
48.16 36 09	58	48	58	48	36	29	24	18					32					
48.25 26 12	74	62	74	62	48	19	16	12	9				22					
48.25 26 16	74	62	74	62	48	19	16	12	9	7			22					
48.25 40 12	130	110	130	110	82	33	28	21	17				38					
48.25 60 12	208	174	208	174	132	53	44	33	27				58					

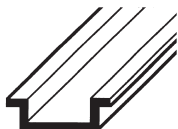
Other suppliers on request



Polyester Ex enclosures for mining industry

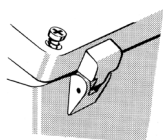
Accessories

DIN rails



Order no.	Version
10.06 11 02	TS 15 for 48.08 11 06
10.06 10 08	TS 15 for 48.08 16 06
10.06 10 10	TS 15 for 48.08 19 06
10.06 14 21	TS 35/7.5 for 48.12 12 09
10.06 14 22	TS 35/7.5 for 48.12 22 09
10.06 14 23	TS 35/7.5 for 48.16 16 09
10.06 14 24	TS 35/7.5 for 48.16 26 09
10.06 14 25	TS 35/7.5 for 48.16 36 09
10.06 14 34	TS 35/7.5 for 48.25 26 12
10.06 14 27	TS 35/7.5 for 48.25 40 12
10.06 14 28	TS 35/7.5 for 48.25 60 12

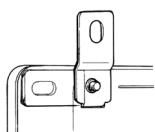
External hinges



Swivelling range 150°,
set = 2 pcs

Order no.	Version
10.02 70 01	for 48.12 12 09 - 48.25 60 12

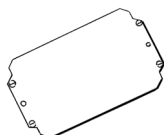
External mounting brackets



set = 4 pcs

Order no.	Version
10.03 11 01	for XX.08 08 06 - XX.10 20 08
10.03 11 02	for XX.12 12 08 - XX.31 60 18, XX.14 01 00 - XX.14 03 00

Mounting plate

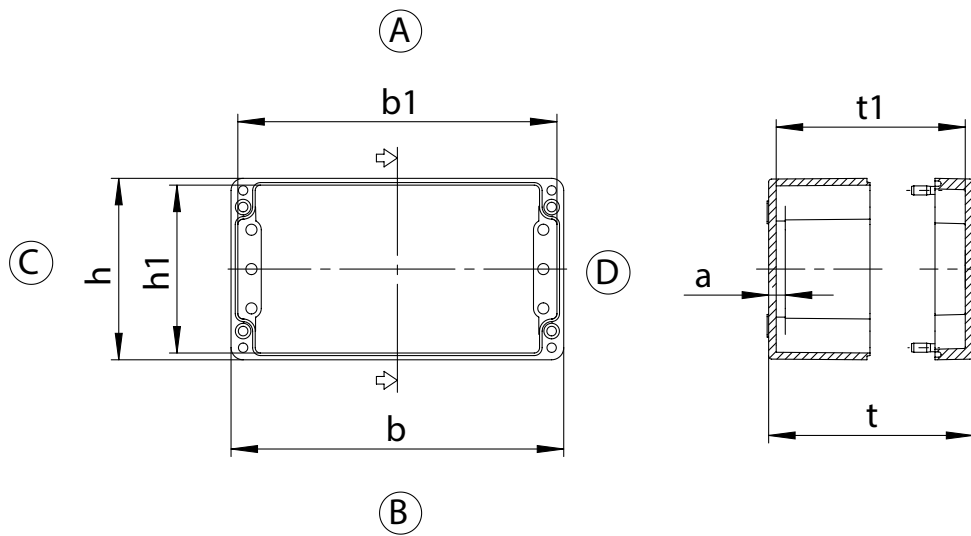


Order no.	Version
10.01 11 03	for XX.08 11 06, XX.08 11 08
10.01 11 05	for XX.08 16 06, XX.08 16 08
10.01 11 07	for XX.08 19 06, XX.08 19 08
10.01 10 07	for XX.12 12 08, XX.12 12 09
10.01 10 08	for XX.12 22 08, XX.12 22 09
10.01 10 11	for XX.16 26 09
10.01 10 12	for XX.16 36 09
10.01 11 15	for XX.25 26 12, XX.25 26 16
10.01 11 16	for XX.25 40 12, XX.25 40 16
10.01 11 17	for XX.25 60 12

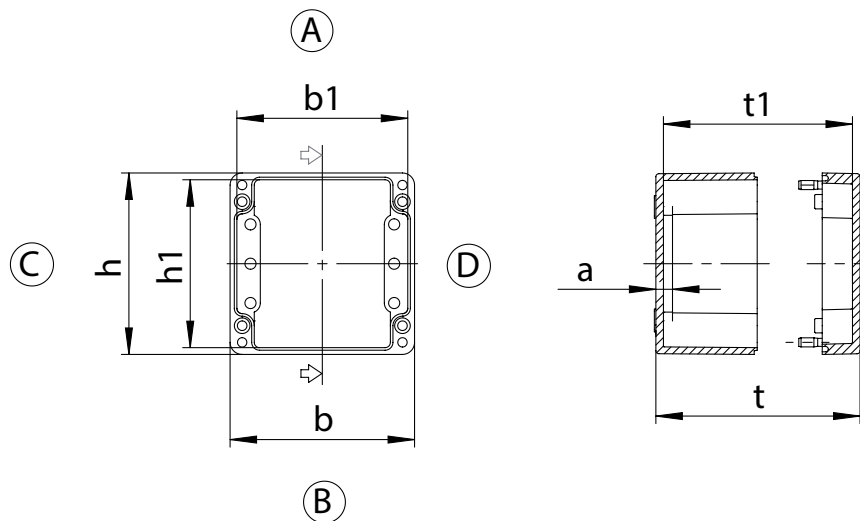
Polyester Ex enclosures for mining industry

Technical details

Order no.	b	h	t	b1	h1	t1	a
48.08 11 06	110	75	56,5	101	65	46	10,5
48.08 16 06	160	75	56,5	151	65	46	10,5
48.08 19 06	190	75	56,5	181	65	46	10,5
48.12 22 09	220	120	91	211	111	80	11
48.16 26 09	260	160	91	248	148	79	11,5
48.16 36 09	360	160	91	348	148	79	11,5
48.25 26 12	255	250	121	243	238	109	11,5
48.25 40 12	400	250	121	388	238	109	11,5
48.25 60 12	600	250	121	588	238	109	11,5



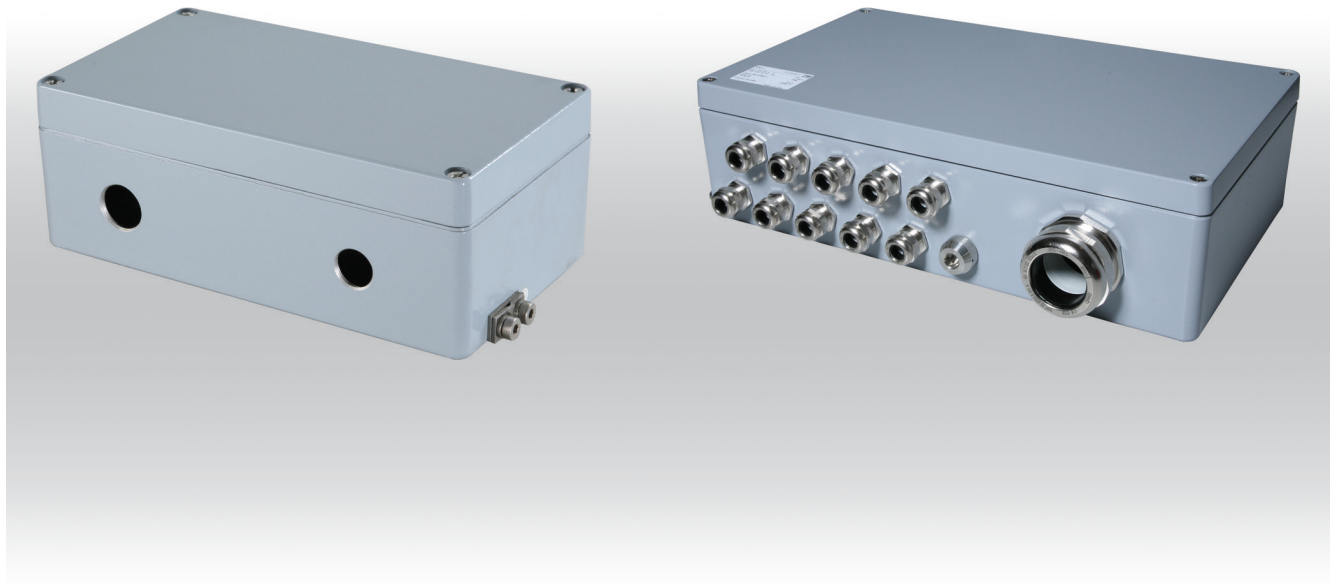
Order no.	b	h	t	b1	h1	t1	a
48.12 12 09	122	120	91	113	111	80	11
48.16 16 09	160	160	91	148	148	79	11,5



For detailed drawings visit www.rose-systemtechnik.com



Aluminium Ex



- + Enclosure systems of diecast aluminium for use in hazardous areas
- + Available as a component (U approval) or as a fully certified device including the installation of terminals or electronic equipment
- + With window optional

Included in delivery

Empty enclosure: Enclosure with silicone seal and external earth connection.
 Junction box: Enclosure system - depending on version either with silicone seal, external earthing, DIN rails, internal earthing connection, terminals, manufacturing, cable glands

Technical datas

Explosion protection	II 2G Ex eb IIC T6/T5/T4 Gb II 2G Ex ia IIC T6/T5/T4 Gb II 2G Ex db eb ia [ia] mb IIC T6/T5/T4 Gb II 3 G Ex eb db mb ia [ia Ga] nA nC [op is] IIC T6, T5, T4 Gc II 2D Ex tb IIIC T85°C/T100°C/T135°C Db IP66
Certificates	PTB 00 ATEX 1063X IECEX PTB 08.0006 EAC RU C-DE.AA87.B.00637
Material	DIN EN 1706 EN AC-AISI 12 (Fe)
Colour	Powder coating, RAL 7001, silver grey
Ingress protection	IP66 to EN 60529
Impact resistance	7 Joule to EN 60079-0
Ambient temperature range	-55 °C to +135 °C
Other execution on request	EMC, SBG, SBGL, SWB

Aluminium Ex

Product overview

Ex e		Ex Empty		Ex i		Dimensions H x W x D (mm)	Weight (g)
Order no.	Product type	Order no.	Product type	Order no.	Product type		
05.06 06 03	AExe 05010	25.06 06 03	AExB 25010	15.06 06 03	AExi 15010	64 x 58 x 34	160
05.06 10 03	AExe 05015	25.06 10 03	AExB 25015	15.06 10 03	AExi 15015	64 x 98 x 34	220
05.06 15 03	AExe 05020	25.06 15 03	AExB 25020	15.06 15 03	AExi 15020	64 x 150 x 34	360
05.08 08 06	AExe 05025	25.08 08 06	AExB 25025	15.08 08 06	AExi 15025	80 x 75 x 57	300
05.08 13 06	AExe 05030	25.08 13 06	AExB 25030	15.08 13 06	AExi 15030	80 x 125 x 57	375
05.08 18 06	AExe 05035	25.08 18 06	AExB 25035	15.08 18 06	AExi 15035	80 x 175 x 57	550
05.08 25 05	AExe 05040	25.08 25 05	AExB 25040	15.08 25 05	AExi 15040	80 x 250 x 52	730
05.10 10 08	AExe 05045	25.10 10 08	AExB 25045	15.10 10 08	AExi 15045	100 x 100 x 81	620
05.10 16 08	AExe 05050	25.10 16 08	AExB 25050	15.10 16 08	AExi 15050	100 x 160 x 81	820
05.10 20 08	AExe 05055	25.10 20 08	AExB 25055	15.10 20 08	AExi 15055	100 x 200 x 81	970
05.12 12 08	AExe 05060	25.12 12 08	AExB 25060	15.12 12 08	AExi 15060	120 x 122 x 81	940
05.12 12 09	AExe 05065	25.12 12 09	AExB 25065	15.12 12 09	AExi 15065	120 x 122 x 91	960
05.12 22 08	AExe 05070	25.12 22 08	AExB 25070	15.12 22 08	AExi 15070	120 x 220 x 81	1410
05.12 22 09	AExe 05075	25.12 22 09	AExB 25075	15.12 22 09	AExi 15075	120 x 220 x 91	1430
05.12 36 08	AExe 05080	25.12 36 08	AExB 25080	15.12 36 08	AExi 15080	120 x 360 x 81	1970
05.14 14 09	AExe 05085	25.14 14 09	AExB 25085	15.14 14 09	AExi 15085	140 x 140 x 91	1520
05.14 20 09	AExe 05090	25.14 20 09	AExB 25090	15.14 20 09	AExi 15090	140 x 200 x 91	2270
05.16 16 09	AExe 05095	25.16 16 09	AExB 25095	15.16 16 09	AExi 15095	160 x 160 x 91	1500
05.16 26 09	AExe 05100	25.16 26 09	AExB 25100	15.16 26 09	AExi 15100	160 x 260 x 91	2030
05.16 36 09	AExe 05105	25.16 36 09	AExB 25105	15.16 36 09	AExi 15105	160 x 360 x 91	2540
05.16 56 09	AExe 05110	25.16 56 09	AExB 25110	15.16 56 09	AExi 15110	160 x 560 x 91	3760
05.18 18 10	AExe 05115	25.18 18 10	AExB 25115	15.18 18 10	AExi 15115	180 x 180 x 101	2270
05.18 28 10	AExe 05120	25.18 28 10	AExB 25120	15.23 10 11	AExi 15120	180 x 280 x 101	2920
05.23 10 11	AExe 05125	25.23 10 11	AExB 25125	15.18 28 10	AExi 15125	230 x 100 x 111	1800
05.23 20 11	AExe 05130	25.23 20 11	AExB 25130	15.23 20 11	AExi 15130	232 x 202 x 111	2440
05.23 20 18	AExe 05135	25.23 20 18	AExB 25135	15.23 20 18	AExi 15135	232 x 202 x 181	3980
05.23 28 11	AExe 05140	25.23 28 11	AExB 25140	15.23 28 11	AExi 15140	230 x 280 x 111	2990
05.23 33 11	AExe 05145	25.23 33 11	AExB 25145	15.23 33 11	AExi 15145	230 x 330 x 111	3390
05.23 33 18	AExe 05150	25.23 33 18	AExB 25150	15.23 33 18	AExi 15150	230 x 330 x 181	5260
05.23 40 11	AExe 05155	25.23 40 11	AExB 25155	15.23 40 11	AExi 15155	230 x 400 x 111	3840
05.23 40 23	AExe 05160	25.23 40 23	AExB 25160	15.23 40 23	AExi 15160	230 x 400 x 225	6840
05.23 60 11	AExe 05165	25.23 60 11	AExB 25165	15.23 60 11	AExi 15165	230 x 600 x 111	6950
05.31 40 11	AExe 05170	25.31 40 11	AExB 25170	15.31 40 11	AExi 15170	313 x 404 x 111	5300
05.31 40 14	AExe 05175	25.31 40 14	AExB 25175	15.31 40 14	AExi 15175	312 x 403 x 141	6720
05.31 40 18	AExe 05180	25.31 40 18	AExB 25180	15.31 40 18	AExi 15180	313 x 404 x 181	8480
05.31 40 23	AExe 05185	25.31 40 23	AExB 25185	15.31 40 23	AExi 15185	313 x 404 x 227	8680
05.31 60 11	AExe 05190	25.31 60 11	AExB 25190	15.31 60 11	AExi 15190	310 x 600 x 111	8660
05.31 60 18	AExe 05195	25.31 60 18	AExB 25195	15.31 60 18	AExi 15195	310 x 600 x 181	11100
05.60 60 20	AExe 05200	25.60 60 20	AExB 25200	15.60 60 20	AExi 15200	600 x 600 x 202	25960



Aluminium Ex

Accessories

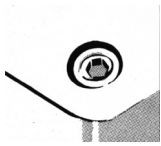
Order no.	DIN rails	External mounting brackets	Mounting plate
XX.06 06 03			
XX.06 10 03	•		
XX.06 15 03	•		
XX.08 08 06	•	•	•
XX.08 13 06	•	•	•
XX.08 18 06	•	•	•
XX.08 25 05	•	•	
XX.10 10 08	•	•	•
XX.10 16 08	•	•	•
XX.10 20 08	•	•	•
XX.12 12 08	•	•	•
XX.12 12 09	•	•	•
XX.12 22 08	•	•	•
XX.12 22 09	•	•	•
XX.12 36 08	•	•	•
XX.14 14 09	•	•	•
XX.14 20 09	•	•	•
XX.16 16 09	•	•	•
XX.16 26 09	•	•	•
XX.16 36 09	•	•	•
XX.16 56 09	•	•	•
XX.18 18 10	•	•	•
XX.18 28 10	•	•	•
XX.23 10 11	•	•	•
XX.23 20 11	•	•	•
XX.23 20 18	•	•	•
XX.23 28 11	•	•	•
XX.23 33 11	•	•	•
XX.23 33 18	•	•	•
XX.23 40 11	•	•	•
XX.23 40 23	•	•	•
XX.23 60 11	•	•	•
XX.31 40 11	•	•	•
XX.31 40 14	•	•	•
XX.31 40 18	•	•	•
XX.31 40 23	•	•	•
XX.31 60 11	•	•	•
XX.31 60 18	•	•	•
XX.60 60 20	•		•



Aluminium Ex

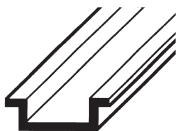
Accessories

Allen lid screws



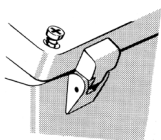
Order no.	Version
12.01 80 02	for XX.06 06 03 up to XX.10 20 08
12.01 80 04	for XX.12 12 08 up to XX.31 40 23

DIN rails



Order no.	Version
10.06 10 07	TS 15 for XX.06 10 03
10.06 10 02	TS 15 for XX.06 15 03
10.06 10 03	TS 15 for XX.08 08 06
10.06 10 04	TS 15 for XX.08 13 06
10.06 10 05	TS 15 for XX.08 18 06
10.06 10 06	TS 15 for XX.08 25 05
10.06 10 08	TS 15 for XX.10 16 08
10.06 10 09	TS 15 for XX.10 20 08
10.06 14 21	TS 35/7.5 for XX.12 12 08, XX.12 12 09
10.06 14 22	TS 35/7.5 for XX.12 22 08, XX.12 22 09, XX.12 22 12
10.06 14 25	TS 35/7.5 for XX.12 36 08
10.06 14 54	TS 35/7.5 for XX.14 14 09
10.06 14 55	TS 35/7.5 for XX.14 20 09
10.06 14 23	TS 35/7.5 for XX.16 16 09
10.06 14 24	TS 35/7.5 for XX.16 26 09, XX.16 26 16
10.06 14 26	TS 35/7.5 for XX.16 56 09
10.06 14 56	TS 35/7.5 for XX.18 18 10
10.06 14 57	TS 35/7.5 for XX.18 28 10
10.06 14 29	TS 35/7.5 for XX.23 10 11
10.06 14 30	TS 35/7.5 for XX.23 20 11, XX.23 20 18
10.06 14 31	TS 35/7.5 for XX.23 28 11
10.06 14 32	TS 35/7.5 for XX.23 33 11, XX.23 33 18
10.06 14 27	TS 35/7.5 for XX.23 40 11, XX.23 40 23, XX.31 40 11, XX.31 40 14, XX.31 40 18, XX.31 40 23
10.06 14 28	TS 35/7.5 for XX.23 60 11, XX.31 60 11, XX.31 60 18
10.06 14 33	TS 35/7.5 for XX.60 60 20

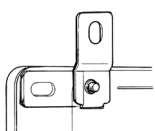
External hinges



Swivelling range 150°,
set = 2 pcs

Order no.
10.02 70 01

External mounting brackets



set = 4 pcs

Order no.	Version
10.03 11 01	for XX.08 08 06 - XX.10 20 08
10.03 11 02	for XX.12 12 08 - XX.31 60 18, XX.14 01 00 - XX.14 03 00

Aluminium Ex

Accessories

Internal hinges

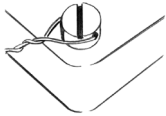


swivelling range 95°,
set = 2 pcs

Order no.

10.02 20 01

Lead-sealing screw



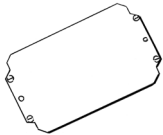
Order no.

12.01 90 01

Version

for XX.05 05 03 - XX.10 20 08

Mounting plate



Order no.

10.01 10 01

Version

for XX.08 08 06

10.01 10 03

for XX.08 13 06

10.01 10 05

for XX.08 18 06

10.01 10 24

for XX.10 10 08

10.01 10 25

for XX.10 16 08

10.01 10 26

for XX.10 20 08

10.01 10 07

for XX.12 12 08, XX.12 12 09

10.01 10 08

for XX.12 22 08, XX.12 22 09

10.01 10 09

for XX.12 36 08

10.01 10 27

for XX.14 14 09

10.01 10 28

for XX.14 20 09

10.01 10 10

for XX.16 16 09

10.01 10 11

for XX.16 26 09

10.01 10 12

for XX.16 36 09

10.01 10 13

for XX.16 56 09

10.01 10 29

for XX.18 18 10

10.01 10 30

for XX.18 28 10

10.01 10 14

for XX.23 10 11

10.01 10 15

for XX.23 20 11, XX.23 20 18

10.01 10 16

for XX.23 28 11

10.01 10 17

for XX.23 33 11, XX.23 33 18

10.01 10 18

for XX.23 40 11, XX.23 40 23

10.01 10 19

for XX.23 60 11

10.01 10 20

for XX.31 40 11, XX.31 40 14, XX.31 40 18, XX.31 40 23

10.01 10 21

for XX.31 60 11, XX.31 60 18

10.01 10 22

for XX.60 60 20



Aluminium Ex

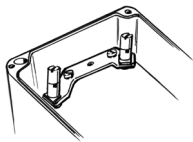
Accessories

PE bar



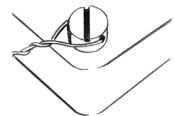
Order no.	Version
12.05 42 16	for XX.14 14 09
12.05 42 17	for XX.14 20 09, XX.23 20 11, XX.23 20 18
12.05 42 18	for XX.16 16 09
12.05 42 19	for XX.16 26 09
12.05 42 20	for XX.16 36 09
12.05 42 21	for XX.16 56 09
12.05 42 22	for XX.18 18 10
12.05 42 23	for XX.18 28 10, XX.23 28 11
12.05 42 24	for XX.23 10 11
12.05 42 28	for XX.23 33 11, XX.23 33 18
12.05 42 30	for XX.23 40 11, XX.23 40 23, XX.31 40 11, XX.31 40 14, XX.31 40 18, XX.31 40 23
12.05 42 32	for XX.23 60 11, XX.31 60 11, XX.31 60 18

PE busbar



Order no.	Version
12.05 30 01	for XX.08 08 06 up to XX.08 18 06
12.05 30 02	for XX.12 12 08 up to XX.12 36 08

sealable screw

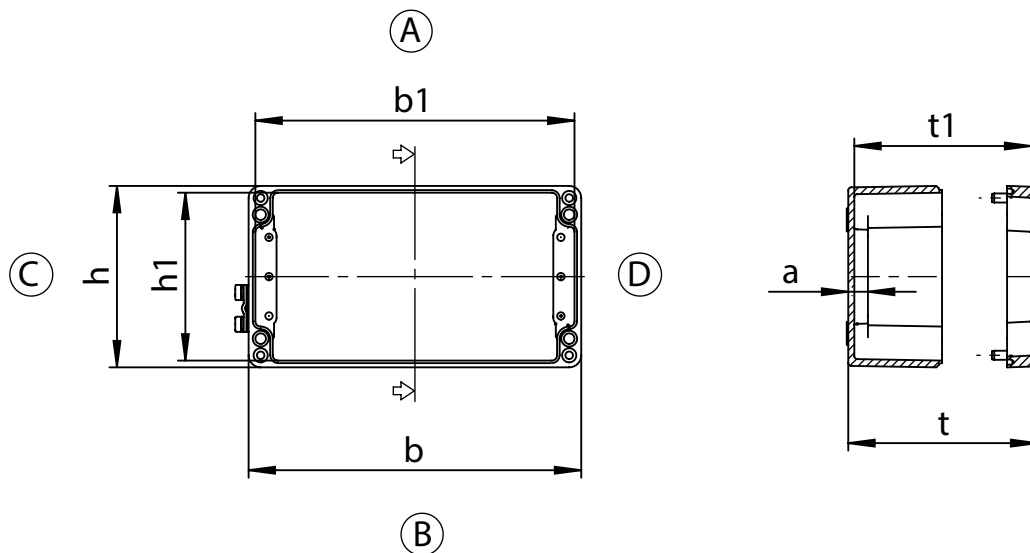


Order no.	Version
12.01 90 02	for XX.12 12 08 - XX.31 60 18

Aluminium Ex

Technical details

Order no.	b	h	t	b1	h1	t1	a
XX.06 10 03	98	64	34	91	57	28,5	14
XX.06 15 03	150	64	34	143	57	28,5	14
XX.08 13 06	125	72	80	117	72	51	9
XX.08 18 06	175	72	80	167	72	51	9
XX.08 25 05	250	242	52	45	72	45	15,5
XX.10 16 08	160	100	81	152	92	74	9,5
XX.10 20 08	200	100	81	192	92	74	9,5
XX.12 22 08	220	120	81	211	111	72	13
XX.12 22 09	220	120	91	211	111	82	13
XX.12 36 08	360	120	81	351	111	72	13
XX.14 20 09	200	140	91	191	131	82	13
XX.16 26 09	260	160	91	251	151	82	13
XX.16 36 09	360	160	91	351	151	82	13
XX.16 56 09	560	160	91	551	151	82	13
XX.18 28 10	280	180	101	271	171	92	13
XX.23 28 11	280	230	111	271	221	102	13
XX.23 33 11	330	230	111	320	220	102	13
XX.23 33 18	330	230	181	320	220	170	13
XX.23 40 11	400	230	111	390	220	102	13
XX.23 40 23	400	230	225	389	219	214	14
XX.23 60 11	600	230	111	588	218	100	14
XX.31 40 11	404	313	111	394	303	101	13
XX.31 40 14	403	312	141	391	300	129	14
XX.31 40 18	404	313	181	394	303	169	14
XX.31 40 23	404	313	227	391	300	216	14
XX.31 60 11	600	310	111	588	298	99	14
XX.31 60 18	600	310	181	588	298	169	14



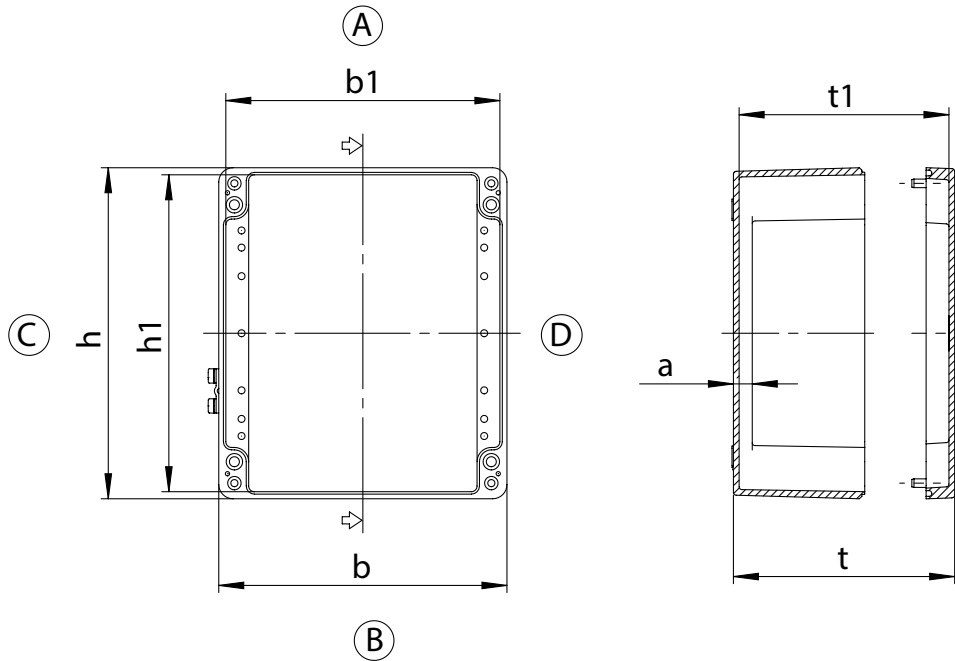
For detailed drawings visit www.rose-systemtechnik.com



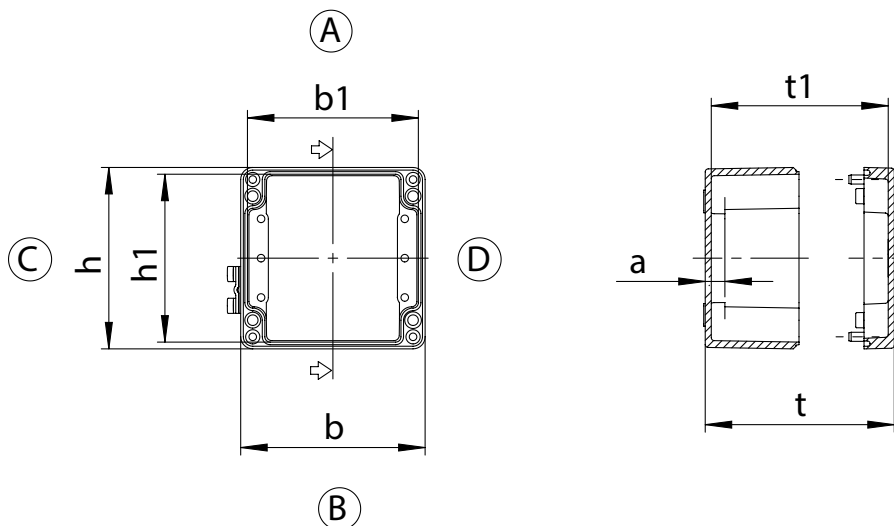
Aluminium Ex

Technical details

Order no.	b	h	t	b1	h1	t1	a
XX.23 10 11	100	230	111	89	220	101	14
XX.23 20 11	202	232	111	192	222	102	13
XX.23 20 18	202	232	181	192	222	170	14



Order no.	b	h	t	b1	h1	t1	a
XX.06 06 03	58	64	34	51	57	28,5	14
XX.08 08 06	75	72	80	67	72	51	9
XX.10 10 08	100	100	81	92	92	74	9,5
XX.12 12 08	122	120	81	113	111	72	13
XX.12 12 09	122	120	91	113	111	82	13
XX.14 14 09	140	140	91	131	131	82	13
XX.16 16 09	160	160	91	151	151	82	13
XX.18 18 10	180	180	101	171	171	92	13
XX.60 60 20	600	600	202,5	588	588	189	17



For detailed drawings visit www.rose-systemtechnik.com

Polyamide Ex Hand held enclosure Beluga



- + Hand held enclosures as a component (U approval)
- + 3 enclosure sizes
- + With display openings optional

Included in delivery

Enclosure system consisting of top and base with seal.
 O version = open: with display screen and mounting material for window

Technical datas

Explosion protection	II 2G Ex e IIC Gb II 2D Ex tb IIIC Db
Certificates	IECEX PTB 09.0019U PTB 02 ATEX 1076U EAC RU C-DE.AA87.B.00637
Material	Polyamide 12
Colour	RAL 9005, jet black
Ingress protection	IP65 to EN 60529
Impact resistance	7 Joule to EN 60079-0
Flammability	UL 94 HB
Surface resistance	<10 ⁹ Ohm to IEC 60093
Ambient temperature range	-20 °C to +60 °C
Other execution on request	EMC



Polyamide Ex Hand held enclosure Beluga

Product overview

Ex Empty		Dimensions H x W x D (mm)	Version	Weight (g)
Order no.	Product type			
28.02 02 00	Beluga 180 O ExB	106/75 x 187 x 50	open	160
28.02 02 01	Beluga 180 G ExB	106/75 x 187 x 50	closed	170
28.02 04 00	Beluga 220 O ExB	116/85 x 220 x 51	open	200
28.02 04 01	Beluga 220 G ExB	116/85 x 220 x 51	closed	210
28.02 05 01	Beluga 380 ExB	380 x 117 x 68	closed	520

Accessories

Carrying strap

carrying strap Beluga 380

Order no.
27.02 05 80

Hand strap

hand strap Beluga 180/220

Order no.
27.02 00 83
27.02 05 81

Hook set

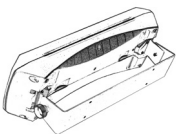


Order no.
27.02 00 80

Spare display screen

Order no.
28.99 00 01
28.99 00 02

Wall holder

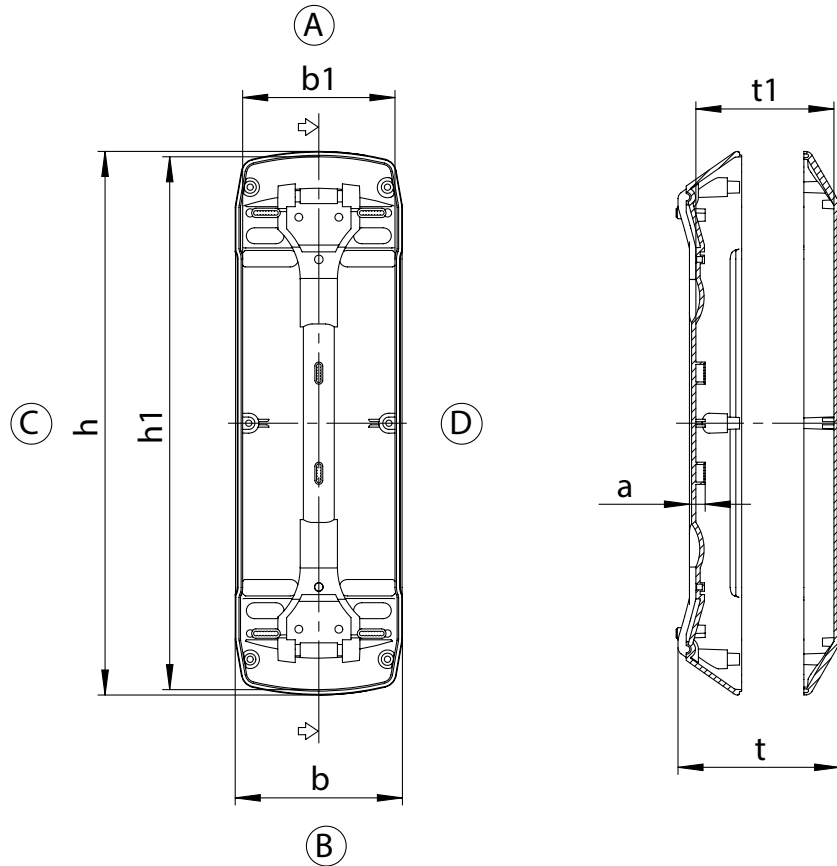


Order no.
27.02 05 82

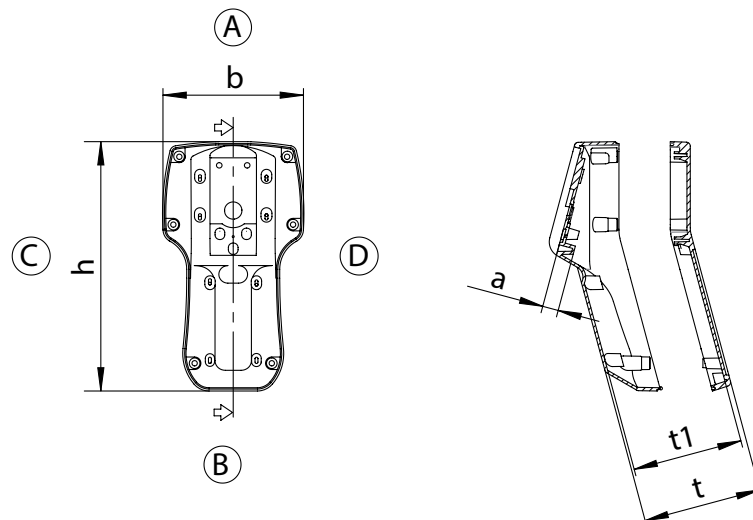
Ex Polyamide Ex Hand held enclosure Beluga

Technical details

Order no.	b	h	t	b1	h1	t1	a
28.02 05 01	117	380	68	98	306	60	11



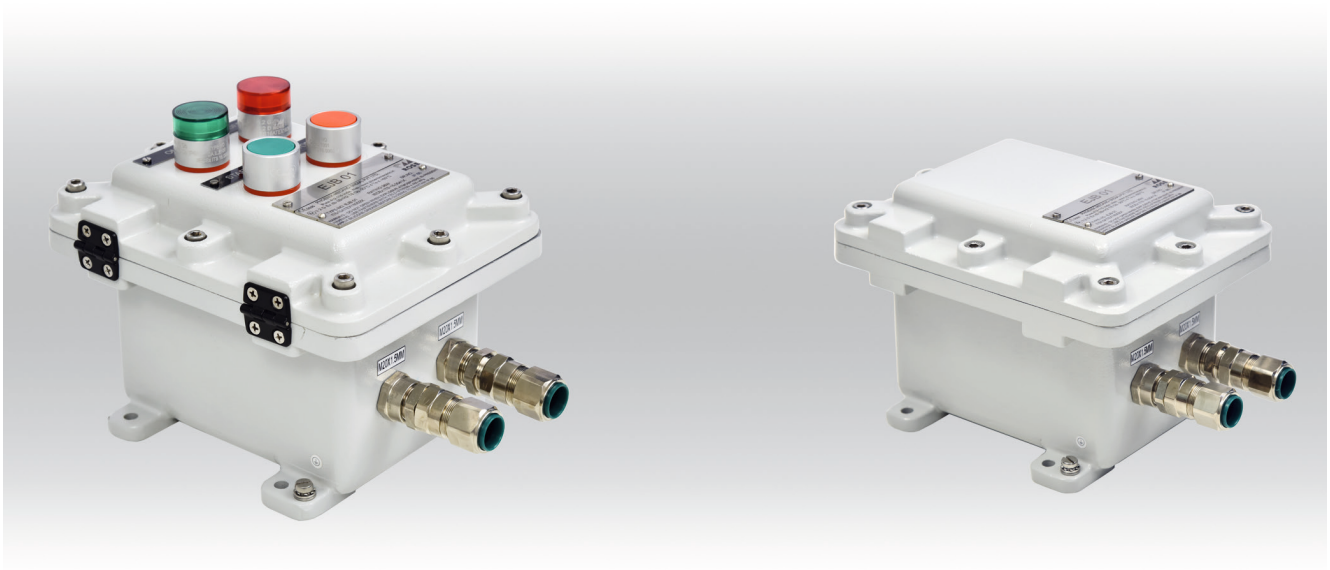
Order no.	b	h	t	t1	a
28.02 02 00	106	187	50	45	14,5
28.02 02 01	106	187	50	45	14,5
28.02 04 00	116	220	51	46	14,5
28.02 04 01	116	220	51	46	14,5



For detailed drawings visit www.rose-systemtechnik.com



Ex d IIB+H₂ Enclosure Series EJB



- + Flameproof aluminium or stainless steel enclosure system suitable for assembly of terminals, switches and components
- + With window optional
- + External flameproof joint
- + For gas group IIB + H₂

Included in delivery

Enclosure system consisting of base and screwed lid, external earth connection, hinge and external brackets

Technical data

Explosion protection	II 2 G Ex db IIB + H ₂ T6/T5/T4 Gb II 2 D Ex tb IIIC T85 °C... T135 °C Db
Certificates	DEKRA 18 ATEX 1118X IECEX DEK 18.0074X RU C-DE.MIO62.B.05638
Material	Copper free aluminium Stainless steel 1.4404/316L
Colour	Aluminium: RAL 7035, light grey Stainless steel: unpainted, painting on request
Ingress protection	IP66 to EN 60529
Impact resistance	7 Joule to EN 60079-0
Ambient temperature range	up to -20 °C to +75 °C

Ex d IIB+H₂ Enclosure Series EJB

Product overview

Order No.	Type	External dimensions H x W x D (mm)	Internal dimensions H x W x D (mm)	Max. rated current (A)	Max. conductor size (mm ²)	Weight (g)
Aluminium						
40.10 30 10	EJB 01 AL	220 x 170 x 152	150 x 100 x 121	76	16	4310
40.10 30 20	EJB 02 AL	270 x 220 x 158	200 x 150 x 127	125	35	6670
40.10 30 30	EJB 03 AL	320 x 270 x 166	250 x 200 x 131	232	95	10000
40.10 30 60	EJB 06 AL	490 x 440 x 270	400 x 350 x 201	415	240	34000
40.10 30 90	EJB 09 AL	780 x 580 x 480	650 x 450 x 366	935	630	115000
40.10 31 00	EJB 10 AL	980 x 680 x 519	850 x 550 x 392	1055	1000	226000
Stainless Steel						
40.20 30 10	EJB 01 SS	220 x 170 x 152	150 x 100 x 121	76	16	12000
40.20 30 20	EJB 02 SS	270 x 220 x 158	200 x 150 x 127	125	35	19320
40.20 30 30	EJB 03 SS	320 x 270 x 166	250 x 200 x 131	232	95	30000

Accessories

Order No.	Mounting plate	Dimensions H x W x D (mm)
40.10 30 10	40.30 30 10	142 x 92 x 1.5
40.10 30 20	40.30 30 20	192 x 142 x 1.5
40.10 30 30	40.30 30 30	242 x 192 x 1.5
40.10 30 60	40.30 30 60	375 x 325 x 1.5
40.10 30 90	40.30 30 90	590 x 390 x 1.5
40.10 31 00	40.30 31 00	780 x 480 x 1.5
40.20 30 10	40.30 30 10	142 x 92 x 1.5
40.20 30 20	40.30 30 20	192 x 142 x 1.5
40.20 30 30	40.30 30 30	242 x 192 x 1.5

Terminal mounting

DIN rail	Phoenix Contact													
	TS 35	TS 35	TS 35	TS 35	TS 35	TS 35	TS 35	TS 35	TS 35	TS 35	TS 35	TS 35	TS 35	TS 35
Rated nominal cross section (mm ²)	2,5	4	6	10	16	25	35	50	70	95	120	150	185	240
Rated voltage (V)	690	690	690	690	690	690	690	690	880	880	1100	1100	1100	1100
Terminal width (mm)	5.2	6.2	8.2	10.2	12.2	16.2	16.2	20	25	25	31	31	36	36
Terminal type														
Enclosure type	UT 2,5	UT 4	UT 6	UT 10	UT 16	UT 35	UT 35	UKH 50	UKH 95	UKH 95	UKH 150	UKH 150	UKH 240	UKH 240
40.10 30 10	20	16	8	6	4									
40.10 30 20	30	24	12	10	8	6	6							
40.10 30 30	40	32	16	12	10	8	8	6	4	4				
40.10 30 60	100	82	64	50	42	32	32	15	12	12	9	9	8	8
40.10 30 90	240	204	160	124	104	76	76	30	24	24	20	20	16	16
40.10 30 00	390	325	250	200	165	125	125	60	48	48	24	24	22	22
40.20 30 10	20	16	8	6	4									
40.20 30 20	30	24	12	10	8	6	6							
40.20 30 30	40	32	16	12	10	8	8	6	4	4				

Other suppliers on request



Ex d IIB+H₂ Enclosure Series EJB

Technical details

Power dissipation in Watt

Type	Temperature class	T6			T5					T4		
		T85 °C			T100 °C					T135 °C		
	Maximum surface temperature											
	Maximum ambient temperature	+40 °C	+50 °C	+60 °C	+40 °C	+50 °C	+55 °C	+60 °C	+75 °C	+40 °C	+50 °C	+60 °C
EJB 01 AL	Maximum allowed power loss	60 W		36 W			60 W		36 W			
EJB 02 AL		76 W		42 W			76 W		42 W			
EJB 03 AL		87 W		60 W			87 W		60 W			
EJB 06 AL		209 W	166 W	114 W	338 W	260 W		206 W		584 W	514 W	436 W
EJB 09 AL		467 W	319 W	236 W	728 W	555 W		353 W		1238 W	1145 W	956 W
EJB 10 AL		726 W	568 W	400 W	1085 W	864 W		712 W		2038 W	1709 W	1454 W
EJB 01 SS		60 W		36 W			60 W		36 W			
EJB 02 SS		76 W		42 W			76 W		42 W			
EJB 03 SS		87 W		60 W			87 W		60 W			

Assembly possibilities on lid

Type	Control equipment	Window (mm)								
		44 x 44	68 x 68	92 x 92	140 x 140	186 x 186	234 x 234	280 x 280	328 x 376	376 x 376
EJB 01 AL	4	1								
EJB 02 AL	9	4	1	1						
EJB 03 AL	16	9	4	1	1					
EJB 06 AL	49	25	9	4	1	1	1			
EJB 09 AL	88	56	20	12	4	2	1	1	1	
EJB 10 AL	150	90	36	20	9	4	2	1	1	1
EJB 01 SS	4	1								
EJB 02 SS	9	4	1	1						
EJB 03 SS	16	9	4	1	1					

Maximum number of cable glands

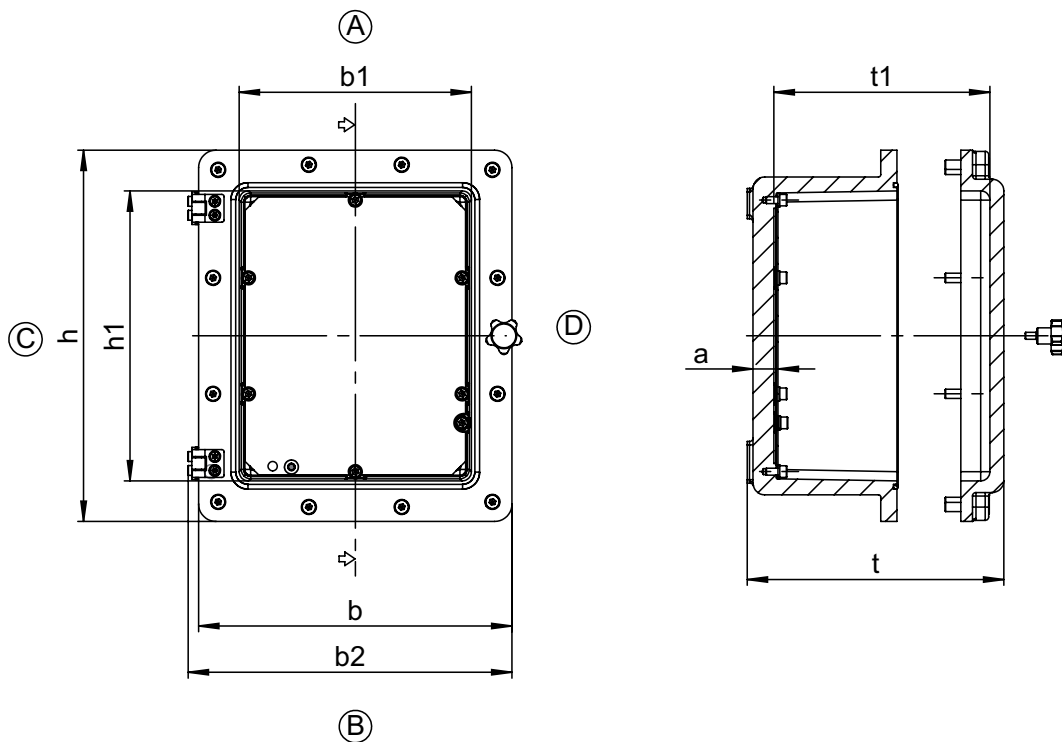


M	NPT	Side	Type								
			EJB 01 AL	EJB 02 AL	EJB 03 AL	EJB 06 AL	EJB 09 AL	EJB 10 AL	EJB 01 SS	EJB 02 SS	EJB 03 SS
20	1/2"	A/B	4	6	8	21	54	66	4	6	8
20	1/2"	C/D	6	8	10	24	84	108	6	8	10
25	3/4"	A/B	2	4	6	17	33	54	2	4	6
25	3/4"	C/D	4	5	8	20	54	90	4	5	8
32	1"	A/B	1	3	4	11	28	36	1	3	4
32	1"	C/D	2	4	5	12	43	60	2	4	5
40	1 1/4"	A/B		2	3	8	18	28		2	3
40	1 1/4"	C/D		3	3	10	28	44		3	3
50	1 1/2"	A/B			2	4	12	18			2
50	1 1/2"	C/D			3	5	21	28			3
63	2"	A/B				3	11	15			
63	2"	C/D				4	17	24			
75	2 1/2"	A/B				3	6	9			
75	2 1/2"	C/D				3	9	15			
90	3"	A/B					5	7			
90	3"	C/D					8	12			
100	4"	A/B					5	6			
100	4"	C/D					7	10			

Ex d IIB+H₂ Enclosure Series EJB

Dimensions

Order No.	b	h	t	b1	h1	t1	a	b2
40.10 30 10	170	220	152	100	150	121	19,5	181
40.10 30 20	220	270	158	150	200	127	19,5	229
40.10 30 30	270	320	166	200	250	131	21,5	279
40.10 30 60	440	490	270	350	400	201	32,5	449
40.10 30 90	580	780	480	450	650	366	47,5	589
40.10 31 00	680	980	519	550	850	392	59,5	689
40.20 30 10	170	220	152	100	150	121	19,5	181
40.20 30 20	220	270	158	150	200	127	19,5	229
40.20 30 30	270	320	166	200	250	131	21,5	279



Ex d IIB+H₂ Enclosure Series IJB



- + Flameproof aluminium enclosure system suitable for assembly of terminals, switches and components
- + Combination of several enclosures possible due to internal flameproof joint
- + With window optional
- + For gas group IIB + H₂

Included in delivery

Enclosure system consisting of base and lid with screws, external earth connection, hinge and external brackets

Technical data

Explosion protection	II 2 G Ex db IIB + H ₂ T6/T5/T4 Gb II 2 D Ex tb IIIC T85 °C...T135 °C Db
Certificates	DEKRA 18 ATEX 0017X IECEX DEK 18.0073X RU C-DE.MIO62.B.05639
Material	Copper free aluminium
Ingress protection	IP66 to EN 60529
Impact resistance	7 Joule to EN 60079-0
Ambient temperature range	up to -60 °C to +110 °C

Ex d IIB+H₂ Enclosure Series IJB

Product overview

Order No.	Type	External dimensions H x W x D (mm)	Internal dimensions H x W x D (mm)	Weight (g)
40.10 40 10	IJB 01 AL	320 x 220 x 223	296 x 196 x 187	12000
40.10 40 20	IJB 02 AL	370 x 270 x 225	346 x 246 x 187	17000
40.10 40 30	IJB 03 AL	420 x 320 x 247	392 x 292 x 205	24000
40.10 40 40	IJB 04 AL	470 x 370 x 249	442 x 342 x 202	32000
40.10 40 50	IJB 05 AL	530 x 430 x 283	498 x 398 x 224	52000
40.10 40 60	IJB 06 AL	630 x 530 x 296	598 x 498 x 239	78000

Accessories

Order No.	Mounting plate	Dimensions H x W x D (mm)
40.10 40 10	40.30 40 10	245 x 145 x 1,5
40.10 40 20	40.30 40 20	295 x 195 x 1,5
40.10 40 30	40.30 40 30	345 x 245 x 1,5
40.10 40 40	40.30 40 40	395 x 295 x 1,5
40.10 40 50	40.30 40 50	445 x 345 x 1,5
40.10 40 60	40.30 40 60	545 x 445 x 1,5

Terminal mounting

DIN rail	Phoenix Contact													
	TS 35	TS 35	TS 35	TS 35	TS 35	TS 35	TS 35	TS 35	TS 35	TS 35	TS 35	TS 35	TS 35	TS 35
Rated nominal cross section (mm ²)	2,5	4	6	10	16	25	35	50	70	95	120	150	185	240
Rated voltage (V)	690	690	690	690	690	690	690	690	880	880	1100	1100	1100	1100
Terminal width (mm)	5.2	6.2	8.2	10.2	12.2	16.2	16.2	20	25	25	31	31	36	36
Terminal type														
Enclosure type	UT 2,5	UT 4	UT 6	UT 10	UT 16	UT 35	UT 35	UKH 50	UKH 95	UKH 95	UKH 150	UKH 150	UKH 240	UKH 240
40.10 40 10	40	32	20	16	12	8	8							
40.10 40 20	60	50	27	21	18	12	12	8	4	4				
40.10 40 30	80	66	34	26	21	15	15	10	6	6	4	4		
40.10 40 40	100	82	34	32	25	18	18	12	10	10	8	8	4	4
40.10 40 50	120	82	46	32	30	18	18	15	12	12	9	9	6	6
40.10 40 60	160	132	60	46	38	28	28	20	16	16	12	12	9	9

Other suppliers on request



Ex d IIB+H₂ Enclosure Series IJB

Technical details

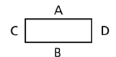
Power dissipation in Watt

Type	Temperature class	T6			T5					T4		
		T85 °C			T100 °C					T135 °C		
	Maximum surface temperature											
	Maximum ambient temperature	+40 °C	+50 °C	+60 °C	+40 °C	+50 °C	+55 °C	+60 °C	+75 °C	+40 °C	+50 °C	+60 °C
IJB 01 AL	Maximum allowed power loss	108 W		56 W			108 W		56 W			
IJB 02 AL		120 W		72 W			120 W		72 W			
IJB 03 AL		145 W		76 W			145 W		76 W			
IJB 04 AL		198 W	150 W	95 W	280 W	220 W		160 W		480 W	430 W	360 W
IJB 05 AL		300 W	200 W	136 W	408 W	309 W		241 W		659 W	586 W	491 W
IJB 06 AL		332 W	218 W	155 W	473 W	400 W		282 W		894 W	818 W	636 W

Assembly possibilities on lid

Type	Control equipment	Window (mm)									
		44 x 44	68 x 68	92 x 92	92 x 140	140 x 140	140 x 186	186 x 186	234 x 234	280 x 280	376 x 376
IJB 01 AL	12	6	2	1	1						
IJB 02 AL	20	12	4	2	1	1	1				
IJB 03 AL	30	16	4	4	2	1	1	1			
IJB 04 AL	42	25	9	4	2	1	1	1	1		
IJB 05 AL	56	36	16	9	6	4	2	1	1	1	
IJB 06 AL	90	64	25	16	8	4	4	4	1	1	1

Maximum number of cable glands

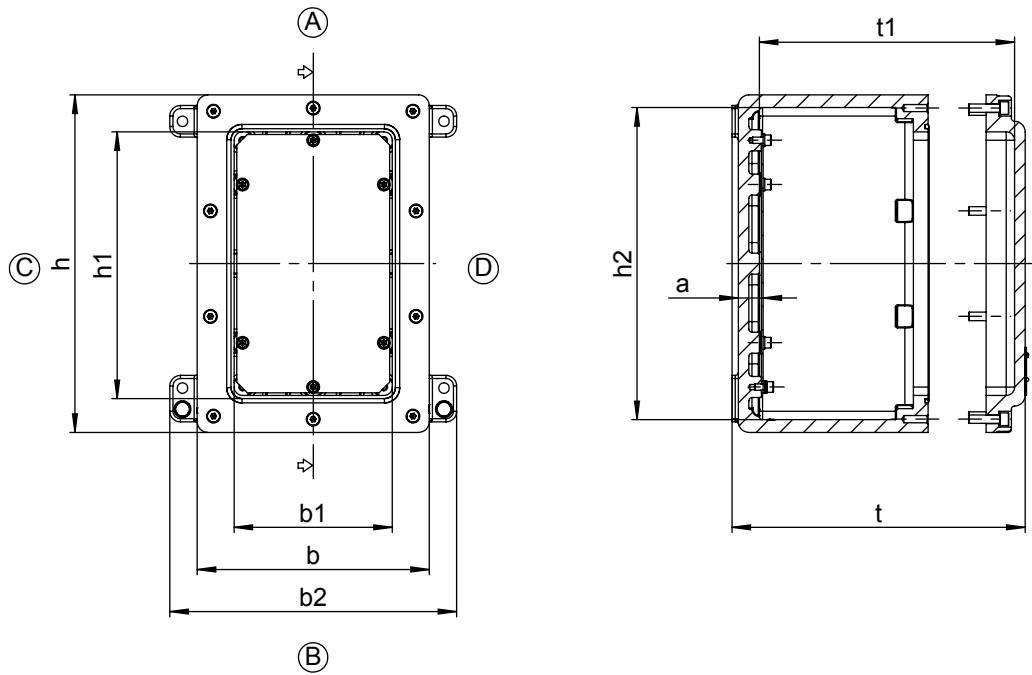


M	NPT	Side	Type					
			IJB 01 AL	IJB 02 AL	IJB 03 AL	IJB 04 AL	IJB 05 AL	IJB 06 AL
20	1/2"	A/B	11	14	18	22	32	40
20	1/2"	C/D	17	20	24	28	40	48
25	3/4"	A/B	6	9	14	17	20	26
25	3/4"	C/D	11	14	20	23	26	30
32	1"	A/B	5	6	9	11	17	23
32	1"	C/D	8	9	14	15	23	26
40	1 1/4"	A/B	3	5	6	8	11	14
40	1 1/4"	C/D	6	8	9	11	14	17
50	1 1/2"	A/B	2	3	4	5	8	9
50	1 1/2"	C/D	3	4	6	7	9	11
63	2"	A/B			3	4	5	7
63	2"	C/D			4	5	7	8
75	2 1/2"	A/B					3	4
75	2 1/2"	C/D					4	5

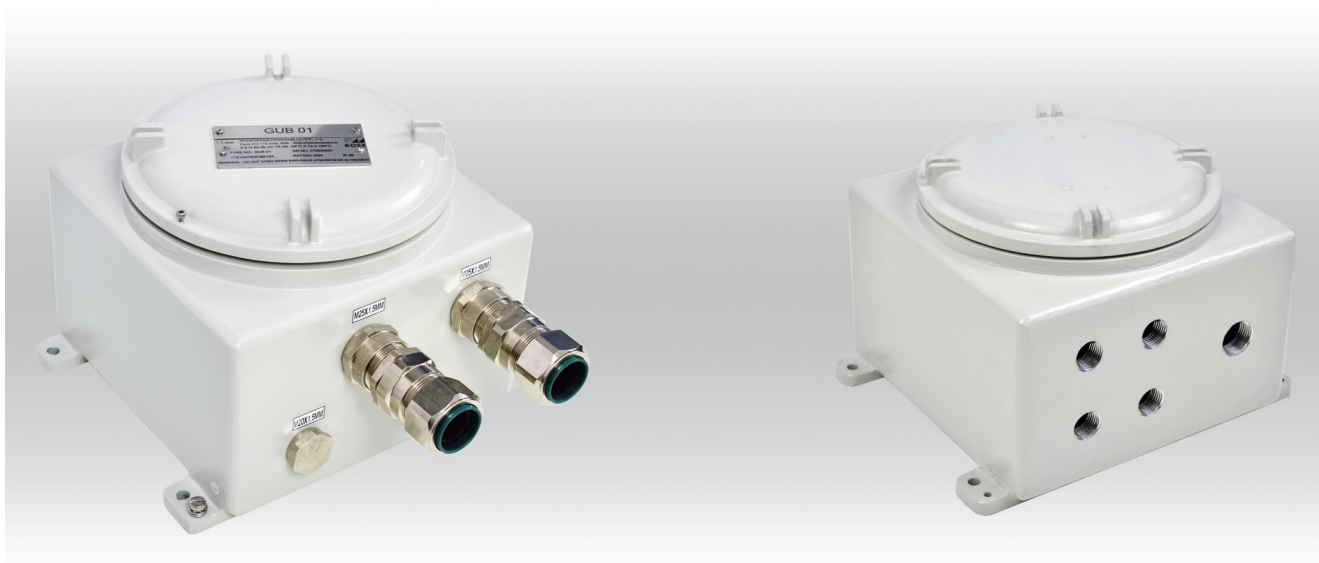
Ex d IIB+H₂ Enclosure Series IJB

Dimensions

Order No.	b	h	t	b1	h1	t1	b2	h2	a
40.10 40 10	220	320	223	150	250	187	272	296	23,5
40.10 40 20	270	370	225	200	300	187	322	346	23,5
40.10 40 30	320	420	247	250	350	205	380	392	24,5
40.10 40 40	370	470	249	300	400	202	430	442	27,5
40.10 40 50	430	530	283	350	450	224	506	498	32,5
40.10 40 60	530	630	296	450	550	239	614	598	34,5



Ex d IIC Enclosure Series GUB



- + Flameproof enclosure system suitable for assembly of terminals, switches and components
- + For gas group IIC

Included in delivery

Enclosure system consisting of base and lid with screws, external earth connection and external brackets

Technical data

Explosion protection	II 2 G Ex db IIC T6/T5/T4 Gb II 2 D Ex tb IIIC T85 °C...T135 °C Db
Certificates	DEKRA 18 ATEX 0120X IECEX DEK 18.0076X RU C-DE.MIO62.B.05637
Material	Copper free aluminium
Colour	RAL 7035, light grey
Ingress protection	IP66 to EN 60529
Impact resistance	7 Joule to EN 60079-0
Ambient temperature range	-20 °C to +110 °C

Ex d IIC Enclosure Series GUB

Product overview

Order No.	Type	External dimensions H x W x D (mm)	Internal dimensions H x W x D (mm)	Weight (g)
40.10 20 10	GUB 01 AL	220 x 220 x 180	196 x 196 x 139	6160
40.10 20 20	GUB 02 AL	270 x 270 x 180	246 x 246 x 129	8760
40.10 20 30	GUB 03 AL	320 x 320 x 209	292 x 292 x 151	15000
40.10 20 40	GUB 04 AL	370 x 370 x 216	342 x 342 x 151	21000
40.10 20 50	GUB 05 AL	420 x 420 x 238	388 x 388 x 171	29000
40.10 20 60	GUB 06 AL	470 x 470 x 246	434 x 434 x 174	39000

Accessories

Order No.	Mounting plate	Dimensions H x W x T (mm)
40.10 20 10	40.30 20 10	170 x 170 x 1,5
40.10 20 20	40.30 20 20	205 x 205 x 1,5
40.10 20 30	40.30 20 30	245 x 245 x 1,5
40.10 20 40	40.30 20 40	290 x 290 x 1,5
40.10 20 50	40.30 20 50	330 x 330 x 1,5
40.10 20 60	40.30 20 60	380 x 380 x 1,5

Terminal mounting

DIN rail	Phoenix Contact													
	TS 35	TS 35	TS 35	TS 35	TS 35	TS 35	TS 35	TS 35	TS 35	TS 35	TS 35	TS 35	TS 35	TS 35
Rated nominal cross section (mm ²)	2,5	4	6	10	16	25	35	50	70	95	120	150	185	240
Rated voltage (V)	690	690	690	690	690	690	690	690	880	880	1100	1100	1100	1100
Terminal width (mm)	5.2	6.2	8.2	10.2	12.2	16.2	16.2	20	25	25	31	31	36	36
Terminal type														
Enclosure type	UT 2,5	UT 4	UT 6	UT 10	UT 16	UT 35	UT 35	UKH 50	UKH 95	UKH 95	UKH 150	UKH 150	UKH 240	UKH 240
40.10 20 10	26	20	10	8	6	4	4							
40.10 20 20	36	26	15	12	10	8	8	6						
40.10 20 30	50	40	20	16	12	10	10	8	6	6				
40.10 20 40	64	54	28	22	18	14	14	10	8	8	6	6		
40.10 20 50	76	60	32	26	20	16	16	12	10	10	8	8		
40.10 20 60	100	80	40	30	26	18	18	14	12	12	10	10	8	8

Other suppliers on request



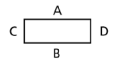
Ex d IIC Enclosure Series GUB

Technical details

Power dissipation in Watt

Type	Temperature class	T6			T5					T4				
	Maximum surface temperature	T85 °C			T100 °C					T135 °C				
	Maximum ambient temperature	+40 °C	+50 °C	+60 °C	+40 °C	+50 °C	+55 °C	+60 °C	+75 °C	+40 °C	+50 °C	+60 °C	+90 °C	+110 °C
GUB 01 AL	Maximum allowed power loss	82 W		38 W			82 W		38 W				82 W	38 W
GUB 02 AL		86 W		45 W			86 W		45 W				86 W	45 W
GUB 03 AL		114 W		64 W			114 W		64 W				114 W	64 W
GUB 04 AL		170 W	120 W	70 W	230 W	180 W	170 W	126 W	70 W	410 W	376 W	316 W	170 W	70 W
GUB 05 AL		218 W	168 W	91 W	291 W	226 W	218 W	159 W	91 W	491 W	451 W	400 W	218 W	91 W
GUB 06 AL		250 W	182 W	150 W	405 W	282 W	250 W	215 W	150 W	723 W	609 W	472 W	250 W	150 W

Maximum number of cable glands

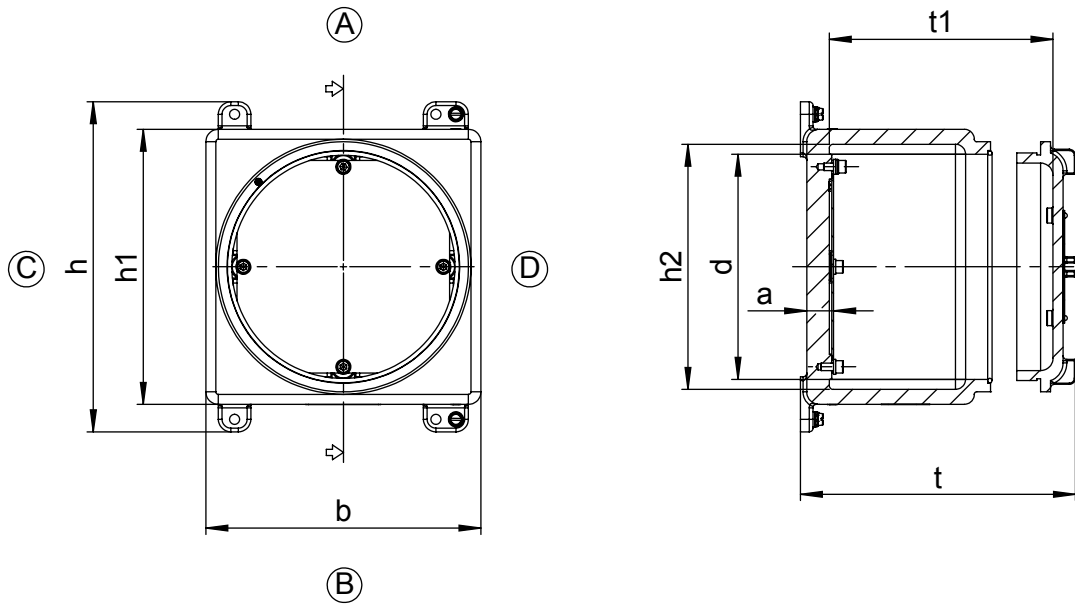


M	NPT	Side	Type					
			GUB 01 AL	GUB 02 AL	GUB 03 AL	GUB 04 AL	GUB 05 AL	GUB 06 AL
20	1/2"	A/B	9	12	18	21	24	27
20	1/2"	C/D	9	12	18	21	24	27
25	3/4"	A/B	6	8	12	14	20	23
25	3/4"	C/D	6	8	12	14	20	23
32	1"	A/B	5	6	8	9	12	14
32	1"	C/D	5	6	8	9	12	14
40	1 1/4"	A/B	3	4	6	8	9	11
40	1 1/4"	C/D	3	4	6	8	9	11
50	1 1/2"	A/B			3	4	6	6
50	1 1/2"	C/D			3	4	6	6
63	2"	A/B				3	4	5
63	2"	C/D				3	4	5
75	2 1/2"	A/B						3
75	2 1/2"	C/D						3

Ex d IIC Enclosure Series GUB

Technical details

Order No.	b	h	t	h1	t1	h2	a	d
40.10 20 10	220	264	180	220	139	196	21,5	Ø180
40.10 20 20	270	314	180	270	129	246	21,5	Ø226
40.10 20 30	320	372	209	320	151	292	25,5	Ø262
40.10 20 40	370	430	216	370	151	342	27,5	Ø308
40.10 20 50	420	480	238	420	171	388	29,5	Ø344
40.10 20 60	470	538	246	470	174	434	31,5	Ø394



Ex d IIC Enclosure Series TBE



- + Flameproof aluminium or stainless steel enclosure system suitable for assembly of terminals and industrial type components
- + Available in aluminium or stainless steel
- + For gas group IIC

Included in delivery

Enclosure system consisting of base and lid with screws, external earth connection and external brackets

Technical data

Explosion protection	II 2 G Ex db IIC T6/T5/T4 Gb II 2 D Ex tb IIIC T85 °C...T135 °C Db
Certificates	DEKRA 18 ATEX 0119X IECEX DEK 18.0075X RU C-DE.MIO62.B.03099
Material	Copper free aluminium Stainless steel 1.4404/316L
Colour	Aluminium: RAL 7035, light grey Stainless steel: unpainted, painting on request
Ingress protection	IP66 to EN 60529
Surface	Powder coating
Impact resistance	7 Joule to EN 60079-0
Ambient temperature range	-60 °C to +110 °C

Ex d IIC Enclosure Series TBE

Product overview

Order No.	Type	External dimensions H x W x D (mm)	Internal dimensions H x W x D (mm)	Weight (g)
Aluminium				
40.10 10 10	TBE 100T AL	116 x 116 x 97,5	100 x 100 x 80,5	1180
40.10 10 13	TBE 130T AL	148 x 148 x 106,5	130 x 130 x 87,5	2000
40.10 10 16	TBE 160T AL	180 x 180 x 116	160 x 160 x 94	3110
Stainless Steel				
40.20 10 10	TBE 100T SS	116 x 116 x 97,5	100 x 100 x 80,5	3210
40.20 10 13	TBE 130T SS	148 x 148 x 106,5	130 x 130 x 87,5	5450
40.20 10 16	TBE 160T SS	180 x 180 x 116	160 x 160 x 94	8700

Accessories

Order No.	Mounting plate	Dimensions Ø x T (mm)
40.10 10 10	40.30 10 10	96 x 1.5
40.10 10 13	40.30 10 13	125 x 1.5
40.10 10 16	40.30 10 16	155 x 1.5
40.20 10 10	40.30 10 10	96 x 1.5
40.20 10 13	40.30 10 13	125 x 1.5
40.20 10 16	40.30 10 16	155 x 1.5

Terminal mounting

DIN rail	Phoenix Contact																
	TS 35	TS 35	TS 35	TS 35	TS 35	TS 35	TS 35	TS 35									
Rated nominal cross section (mm ²)	2,5	4	6	10	16	25	35										
Rated voltage (V)	690	690	690	690	690	690	690										
Terminal width (mm)	5.2	6.2	8.2	10.2	12.2	16.2	16.2										
Terminal type																	
Enclosure type	UT 2,5	UT 4	UT 6	UT 10	UT 16	UT 35	UT 35										
40.10 10 10	8	6	4	3													
40.10 10 13	16	12	10	6	4												
40.10 10 16	20	16	12	8	6	4	4										
40.20 10 10	8	6	4	3													
40.20 10 13	16	12	10	6	4												
40.20 10 16	20	16	12	8	6	4	4										

Other suppliers on request



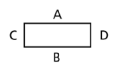
Ex d IIC Enclosure Series TBE

Technical details

Power dissipation in Watt

Type	Temperature class	T6			T5					T4	
		T85 °C			T100 °C					T135 °C	
	Maximum surface temperature										
	Maximum ambient temperature	+40 °C	+50 °C	+60 °C	+40 °C	+50 °C	+55 °C	+60 °C	+75 °C	+90 °C	+110 °C
TBE 100T AL	Maximum allowed power loss	20 W		12 W			20 W		12 W	20 W	12 W
TBE 130T AL		29 W		15 W			29 W		15 W	29 W	15 W
TBE 160T AL		41 W		24 W			41 W		24 W	41 W	24 W
TBE 100T SS		20 W		12 W			20 W		12 W	20 W	12 W
TBE 130T SS		29 W		15 W			29 W		15 W	29 W	15 W
TBE 160T SS		41 W		24 W			41 W		24 W	41 W	24 W

Maximum number of cable glands

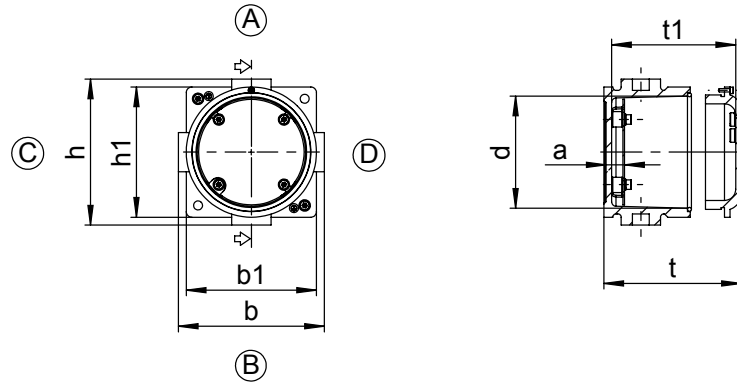


M	NPT	Side	Type					
			TBE 100T AL	TBE 130T AL	TBE 160T AL	TBE 100T SS	TBE 130T SS	TBE 160T SS
20	1/2"	A/B	1	1	1	1	1	1
20	1/2"	C/D	1	2	3	1	2	3
25	3/4"	A/B	1	1	1	1	1	1
25	3/4"	C/D	1	2	3	1	2	3
32	1"	A/B		1	1		1	1
32	1"	C/D						
40	1 1/4"	A/B			1			1
40	1 1/4"	C/D						

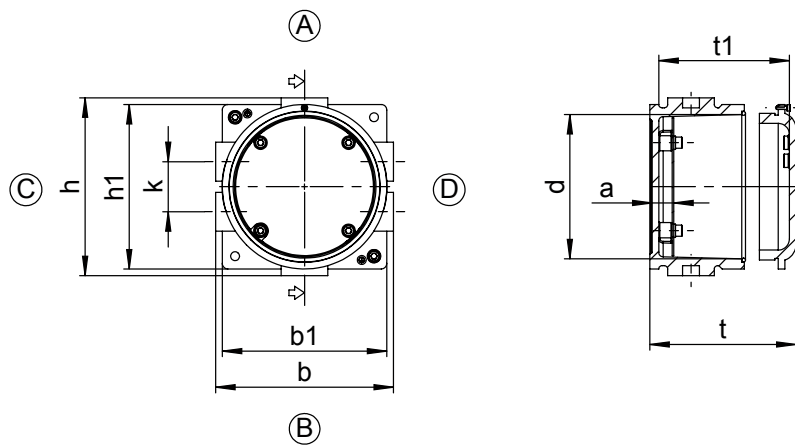
Ex d IIC Enclosure Series TBE

Dimensions

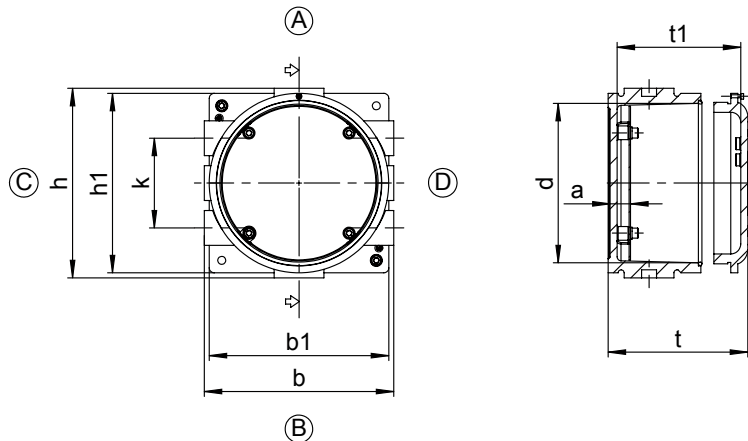
Order No.	b	h	t	b1	h1	t1	a	d
40.10 10 10	130	130	97,5	116	116	80,5	17	Ø100
40.20 10 10	130	130	97,5	116	116	80,5	17	Ø100



Order No.	b	h	t	b1	h1	t1	a	k	d
40.10 10 13	160	160	106,5	148	148	87,5	20	45	Ø130
40.20 10 13	160	160	106,5	148	148	87,5	20	45	Ø130



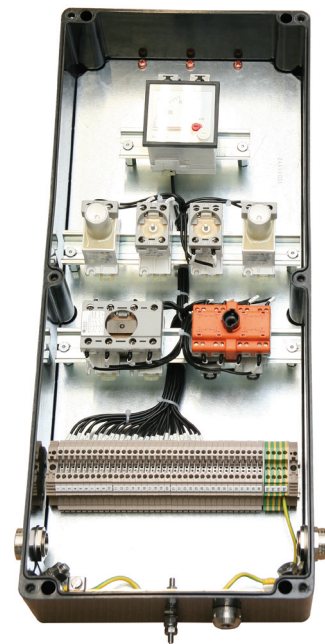
Order No.	b	h	t	b1	h1	t1	a	k	d
40.10 10 16	190	190	116	180	180	94	21	90	Ø160
40.20 10 16	190	190	116	180	180	94	21	90	Ø160



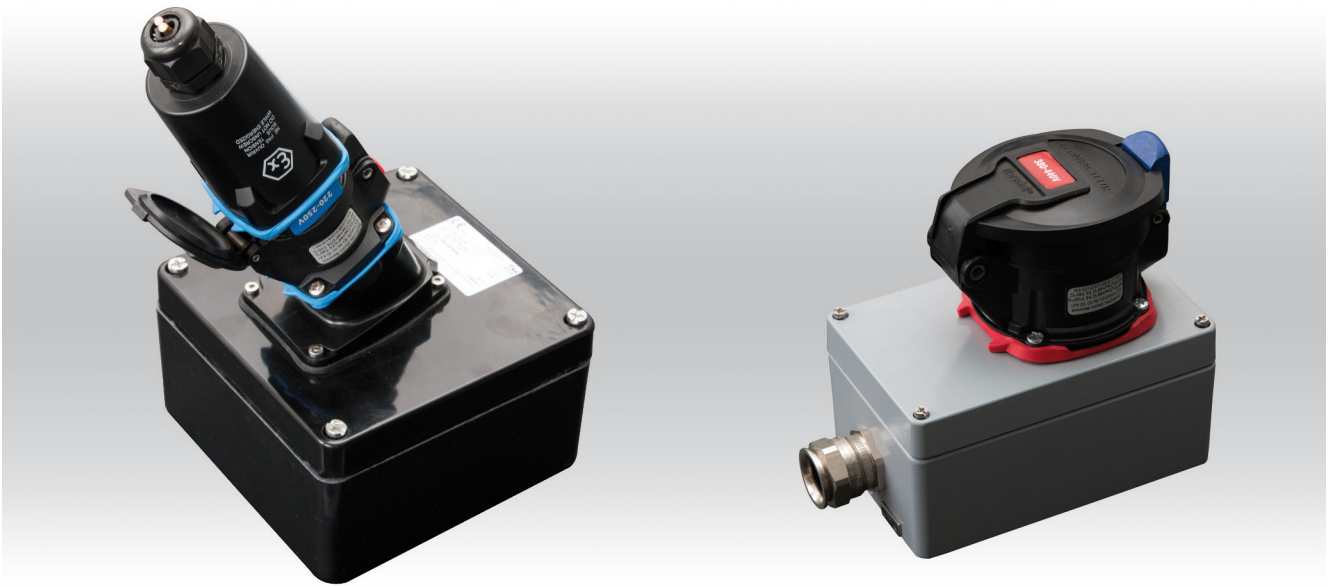
Ex Control Stations



- + Control Station acc. to customer specification
- + Execution with enclosure, pushbutton, switch and / or pilote lamps
- + Approval : ATEX, IECEx and further
- + Application: Installation in chemical/ petrochemical area, Onshore and Offshore



Socket Boxes



- + Customized
- + Ex eb IIC, Ex tb IIIC
- + Boxes Material: GRP, aluminium, stainless steel 1.4404
- + Intrinsic safety possible
- + IP66 Water- and dust-tight
- + From -55 °C to +60 °C
- + Application: Installation in chemical, food and beverage industry, Onshore and Offshore



Ex Cable glands



+ Ex approved cable glands (metric) for standard cable and armoured cable

Materials: polyamide, brass, stainless steel

Approvals Ex e, Ex d, Ex ta, Ex nR

+ Stopping plugs metric

Materials: polyamide, brass

Approvals: Ex e, Ex d

+ Drain plugs and breather elements, counter nuts and additional accessories



For further cable glands or accessories don't hesitate to contact us.

Ex cable glands

E1FX, Ex Brass cable glands STA, SWB



Atmosphere	G/D
Equipment group	II
Category	2/3
Zone	1, 2, 21, 22
Type of ignition protection	Ex d, Ex e, Ex ta, Ex nR
Approvals	ATEX, IECEx, INMETRO, EAC (TR CU)
Material	Brass, nickelplated
Ingress protection	IP66 to EN 60529, IP68 with additional sealing insert
Cable types	screened flexible (EMC) wire braid (e.g. CY / SY), pliable wire armour (PWA), steel tape armour (STA), wire Braid armour (e.g. SWB), aluminium strip armour (ASA), armoured & jacketed
Temperature range	-60 °C to +130 °C
Certificates	SIRA13ATEX1071X, SIRA13ATEX4077X, IECEx SIR 13.0026X, IECEx SIM 14.0007X, TC RU C-GB.AA87.B.00487

Product type	Order no.	Cable Ø inside	Cable Ø outside	GL	SW
M 20 x 1.5	08.03 07 20	3.1 - 8.6	6.1 - 13.2	15	24
M 20 x 1.5	08.03 07 21	6.1 - 11.6	9.5 - 15.9	15	24
M 20 x 1.5	08.03 07 22	6.5 - 13.9	12.5 - 20.9	15	30.5
M 25 x 1.5	08.03 07 25	11.1 - 19.9	14 - 22	15	37.5
M 25 x 1.5	08.03 07 26	11.1 - 19.9	18.2 - 26.2	15	37.5
M 32 x 1.5	08.03 07 32	17 - 26.2	23.7 - 33.9	15	46
M 40 x 1.5	08.03 07 40	22 - 32.1	27.9 - 40.4	15	55
M 50 x 1.5	08.03 07 50	29.5 - 38.1	35.2 - 46.7	15	60
M 50 x 1.5	08.03 07 51	35.6 - 44	40.4 - 53.1	15	70
M 63 x 1.5	08.03 07 63	40.1 - 49.9	45.6 - 59.4	15	75
M 63 x 1.5	08.03 07 64	47.2 - 55.9	54.6 - 65.9	15	80

E1FW, Ex Brass cable glands SWA



Atmosphere	G/D
Equipment group	II
Category	2/3
Zone	1, 2, 21, 22
Type of ignition protection	Ex d, Ex e, Ex ta, Ex nR
Approvals	ATEX, IECEx, INMETRO, EAC (TR CU)
Material	Brass, nickelplated
Ingress protection	IP66 to EN 60529, IP68 with additional sealing insert
Cable types	single wire armour (SWA), aluminium wire armour (AWA)
Temperature range	-60 °C to +130 °C
Certificates	SIRA13ATEX1071X, SIRA13ATEX4077X, IECEx SIR 13.0026X, IECEx SIM 14.0007X, TC RU C-GB.ГБ05.В00138

Product type	Order no.	Cable Ø inside	Cable Ø outside	GL	SW
M 20 x 1.5	08.03 06 20	3.1 - 8.6	6.1 - 13.2	15	24
M 20 x 1.5	08.03 06 21	6.1 - 11.6	9.5 - 15.9	15	24
M 20 x 1.5	08.03 06 22	6.5 - 13.9	12.5 - 20.9	15	30.5
M 25 x 1.5	08.03 06 25	11.1 - 19.9	14 - 22	15	37.5
M 25 x 1.5	08.03 06 26	11.1 - 19.9	18.2 - 26.2	15	37.5
M 32 x 1.5	08.03 06 32	17 - 26.2	23.7 - 33.9	15	46
M 40 x 1.5	08.03 06 40	22 - 32.1	27.9 - 40.4	15	55
M 50 x 1.5	08.03 06 50	29.5 - 38.1	35.2 - 46.7	15	60
M 50 x 1.5	08.03 06 51	35.6 - 44	40.4 - 53.1	15	70
M 63 x 1.5	08.03 06 63	40.1 - 49.9	45.6 - 59.4	15	75
M 63 x 1.5	08.03 06 64	47.2 - 55.9	54.6 - 65.9	15	80

SW = Width across flats
GL = Thread length



Ex cable glands

E1FU, Ex Brass cable glands



Atmosphere	G/D
Equipment group	II
Category	2/3
Zone	1, 2, 21, 22
Type of ignition protection	Ex d, Ex e, Ex ta, Ex nR
Approvals	ATEX, IECEx, EAC (TR CU)
Material	Brass, nickelplated
Ingress protection	IP68
Cable types	single wire armour (SWA), aluminium wire armour (AWA), steel tape armour (STA), wire braid armour (e.g. SWB), aluminium strip armour (ASA), pliable wire armour (PWA), screened flexible (EMC) wire braid (e.g. CY / SY), armoured & jacketed
Temperature range	-60 °C to +130 °C
Certificates	SIRA13ATEX1071X, SIRA13ATEX4077X, IECEX SIR 13.0026X, IECEX SIM 14.0007X, TC RU C-GB.AA87.B.00487

Product type	Order no.	Cable Ø inside	Cable Ø outside	GL	SW
M 20 x 1.5	08.03 08 20	3.1 - 8.6	6.1 - 13.1	15	24
M 20 x 1.5	08.03 08 21	6.1 - 11.6	9.5 - 15.9	15	24
M 20 x 1.5	08.03 08 22	6.5 - 13.9	12.5 - 20.9	15	30.5
M 25 x 1.5	08.03 08 25	11.1 - 19.9	14 - 22	15	37.5
M 25 x 1.5	08.03 08 26	11.1 - 19.9	18.2 - 26.2	15	37.5
M 32 x 1.5	08.03 08 32	17 - 26.2	23.7 - 33.9	15	46
M 40 x 1.5	08.03 08 40	22 - 32.1	27.9 - 40.4	15	55
M 50 x 1.5	08.03 08 50	29.5 - 38.1	35.2 - 46.7	15	60
M 50 x 1.5	08.03 08 51	35.6 - 44	40.4 - 53	15	70
M 63 x 1.5	08.03 08 63	40.1 - 49.9	45.6 - 59.4	15	75
M 63 x 1.5	08.03 08 64	47.2 - 55.9	54.6 - 65.8	15	80

T3CDS, Ex Brass cable glands



Atmosphere	G/D
Equipment group	II
Category	2/3
Zone	1, 2, 21, 22
Type of ignition protection	Ex d, Ex e, Ex ta, Ex nR
Approvals	ATEX, IECEx, EAC (TR CU)
Material	Brass, nickelplated
Ingress protection	IP68
Cable types	single wire armour (SWA), aluminium wire armour (AWA), pliable wire armour (PWA), steel tape armour (STA), aluminium strip armour (ASA), screened flexible (EMC) wire braid (e.g. CY/SY), wire braid armour (e.g. SWB)
Temperature range	-60 °C to +130 °C
Certificates	SIRA13ATEX1073X, SIRA13ATEX4079X, IECEX SIR 13.0028X, IECEX SIM 14.0007X, TC RU C-GB.AA87.B.00487

Product type	Order no.	Cable Ø inside	Cable Ø outside	GL	SW
M 20 x 1.5	08.03 09 20	3.1 - 8.6	6.1 - 13.1	15	24
M 20 x 1.5	08.03 09 21	6.1 - 11.6	9.5 - 15.9	15	24
M 20 x 1.5	08.03 09 22	6.5 - 13.9	12.5 - 20.9	15	31
M 25 x 1.5	08.03 09 25	11.1 - 19.9	14 - 22	15	38
M 25 x 1.5	08.03 09 26	11.1 - 19.9	18.2 - 26.2	15	38
M 32 x 1.5	08.03 09 32	17 - 26.2	23.7 - 33.9	15	46
M 40 x 1.5	08.03 09 40	22 - 32.1	27.9 - 40.4	15	55
M 50 x 1.5	08.03 09 50	29.5 - 38.1	35.2 - 46.7	15	60
M 50 x 1.5	08.03 09 51	35.6 - 44	40.4 - 53	15	70
M 63 x 1.5	08.03 09 63	40.1 - 49.9	45.6 - 59.4	15	75
M 63 x 1.5	08.03 09 64	47.2 - 55.9	54.6 - 65.8	15	80

SW = Width across flats
GL = Thread length

Ex cable glands

C2K, Ex Brass cable glands



Atmosphere	G/D
Equipment group	II
Category	2/3
Zone	1, 2, 21, 22
Type of ignition protection	Ex e, Ex ta
Approvals	ATEX, IECEx, EAC (TR CU), INMETRO
Material	Brass, nickelplated
Ingress protection	IP68
Cable types	single wire armour (SWA), aluminium wire armour (AWA), pliable wire armour (PWA), steel tape armour (STA), wire braid armour (e.g. SWB), aluminium strip armour (ASA), screened flexible (EMC) wire braid (e.g. CY / SY), armoured & jacketed
Temperature range	-60 °C to +130 °C
Certificates	SIRA13ATEX1070X, SIRA13ATEX4076X, IECEx SIR 13.0025X TC RU C-GB.AA87.B.00487

Product type	Order no.	Cable Ø	GL	SW
M 20 x 1.5	08.03 10 20	6.1 x 11.5	15	24
M 20 x 1.5	08.03 10 22	12.5 x 20.9	15	30,5
M 25 x 1.5	08.03 10 25	14 x 22	15	37,5
M 25 x 1.5	08.03 10 26	18.2 x 26.2	15	37,5
M 32 x 1.5	08.03 10 32	23.7 x 33.9	15	46
M 40 x 1.5	08.03 10 40	27.9 x 40.4	15	55
M 50 x 1.5	08.03 10 51	40.4 x 53.1	15	70
M 63 x 1.5	08.03 10 64	54.6 x 65.9	15	80

PX2K, Ex Brass cable glands



Atmosphere	G/D
Equipment group	II
Category	2/3
Zone	1, 2, 21, 22
Type of ignition protection	Ex d, Ex e, Ex ta, Ex nR
Approvals	ATEX, IECEx, EAC (TR CU)
Material	Brass, nickelplated
Ingress protection	IP68
Cable types	for cables with compound barrier seal
Temperature range	-60 °C to +130 °C
Certificates	SIRA13ATEX1072X, SIRA13ATEX4078X, IECEx SIR 13.0027X, IECEx SIM 14.0008X, TC RU C-GB.AA87.B.00487

Product type	Order no.	Cable Ø	GL	SW
M 20 x 1.5	08.03 11 21	9.5 x 15.5	15	30.5
M 20 x 1.5	08.03 11 22	12.5 x 20.9	15	30.5
M 25 x 1.5	08.03 11 26	18.2 x 26.2	15	37.5
M 50 x 1.5	08.03 11 51	40.4 x 53.1	15	70

SW = Width across flats
GL = Thread length



Ex cable glands

CGA, Ex e d Brass cable glands



Atmosphere	G/D
Equipment group	II
Category	2/3
Zone	1, 2, 21, 22
Type of ignition protection	Ex db, Ex eb, Ex tb
Approvals	ATEX IECEX EAC (in preparation)
Material	Brass, nickelplated
Ingress protection	IP66, IP68 acc. to IEC 60529
Cable types	single wire armour (SWA), aluminium wire armour (AWA), steel tape armour (STA), pliable wire armour (PWA)
Temperature range	-60 °C to +130 °C
Certificates	CESI 18 ATEX 012 X IECEX CES 18.0007X

Product type	Order no.	Cable Ø inside	Cable Ø outside	GL	SW 1	SW 2	SW 3
M 16 x 1.5	08.23 08 16 0	3,0-8,5	6,0-12,0	16	26	26	22
M 20 x 1.5	08.23 08 20 0	3,0-8,5	6,0-12,0	16	26	26	24
M 20 x 1.5	08.23 08 21 0	6,0-12,0	8,5-16,0	16	29	29	25
M 20 x 1.5	08.23 08 22 0	8,5-14,5	12,0-20,0	16	32	30	28
M 25 x 1.5	08.23 08 24 0	6,0-12,0	8,5-16,0	18	29	29	29
M 25 x 1.5	08.23 08 25 0	8,5-16,0	12,0-21,0	18	34	34	32
M 25 x 1.5	08.23 08 26 0	12,0-20,0	16,0-26,0	18	40	40	36
M 32 x 1.5	08.23 08 32 0	15,0-26,0	20,0-33,0	18	52	52	48
M 40 x 1.5	08.23 08 40 0	20,0-32,0	29,0-41,0	18	60	60	55
M 50 x 1.5	08.23 08 50 0	27,0-41,0	36,0-52,0	18	74	70	70
M 50 x 1.5	08.23 08 64 0	35,0-45,0	43,0-57,0	18	80	80	75
M 63 x 1.5	08.23 08 63 0	40,0-52,0	47,0-60,0	20	85	85	85
M 75 x 1.5	08.23 08 75 0	45,0-60,0	54,0-70,0	20	100	95	90

Ex Cable glands

A2F, Ex e, d Brass cable glands



Atmosphere	G/D
Equipment group	II
Category	2/3
Zone	1, 2, 21, 22
Type of ignition protection	Ex d, Ex e, Ex ta, Ex nR
Approvals	ATEX IECEX INMETRO EAC (TR CU)
Material	Brass, nickelplated
Ingress protection	IP66 to EN 60529, IP68 with additional sealing insert
Cable types	non-armoured cable, braided cables
Temperature range	-60 °C to +130 °C
Certificates	SIRA13ATEX1068X, SIRA13ATEX4074X, IECEX SIR 13.0023X, IECEX SIM 14.0006, TC RU C-GB.AA87.B.00487

Product type	Order no.	Cable Ø	GL	SW
M 20 x 1.5	08.03 05 20	3.2 - 8.7	15	24
M 20 x 1.5	08.03 05 21	6.1 - 11.7	15	24
M 20 x 1.5	08.03 05 22	6.5 - 14	15	27
M 25 x 1.5	08.03 05 25	11.1 - 20	15	36
M 32 x 1.5	08.03 05 32	17 - 26.3	15	41
M 40 x 1.5	08.03 05 40	23.5 - 32.2	15	50
M 50 x 1.5	08.03 05 50	31 - 38.2	15	55
M 50 x 1.5	08.03 05 51	35.6 - 44.1	15	60
M 63 x 1.5	08.03 05 63	41.5 - 50	15	70
M 63 x 1.5	08.03 05 64	47.2 - 56	15	75

CGU, Ex e d Stainless steel cable glands



Atmosphere	G/D
Equipment group	II
Category	2/3
Zone	1, 2, 21, 22
Type of ignition protection	Ex db, Ex eb, Ex tb
Approvals	ATEX IECEX EAC (in preparation)
Material	Stainless steel
Ingress protection	IP66, IP68 acc. to IEC 60529
Cable types	non-armoured cables
Temperature range	-60 °C to +130 °C (Ex eb/tb) -60 °C to +80 °C (Ex db/tb)
Certificates	IMQ 18 ATEX 024X IECEX IMQ 18.0005X

Product type	Order no.	Cable Ø	GL	SW	
				1	2
M 12 x 1.5	08.24 02 12 0	3-8	16	20	20
M 16 x 1.5	08.24 02 16 0	4-12	16	22	22
M 20 x 1.5	08.24 02 22 0	3-9	16	20	22
M 20 x 1.5	08.24 02 20 0	4-12	16	22	22
M 20 x 1.5	08.24 02 21 0	10-16	16	28	28
M 25 x 1.5	08.24 02 25 0	10-18	16	28	28
M 25 x 1.5	08.24 02 26 0	14-20	16	35	35
M 32 x 1.5	08.24 02 32 0	14-24	16	35	35
M 40 x 1.5	08.24 02 40 0	14-24	18	35	45
M 40 x 1.5	08.24 02 41 0	26-34	18	50	50
M 50 x 1.5	08.24 02 50 0	26-35	18	50	55
M 50 x 1.5	08.24 02 51 0	35-44	18	64	64
M 63 x 1.5	08.24 02 63 0	35-45	18	64	68
M 63 x 1.5	08.24 02 64 0	46-56	18	80	75

CGU, Ex e d Brass cable glands



Atmosphere	G/D
Equipment group	II
Category	2/3
Zone	1, 2, 21, 22
Type of ignition protection	Ex db, Ex eb, Ex tb
Approvals	ATEX IECEX EAC (in preparation)
Material	Brass, nickelplated
Ingress protection	IP66, IP68 acc. to IEC 60529
Cable types	non-armoured cables
Temperature range	-60 °C to +130 °C (Ex eb/tb) -60 °C to +80 °C (Ex db/tb)
Certificates	IMQ 18 ATEX 024X IECEX IMQ 18.0005X


Product type	Order no.	Cable Ø	GL	SW	
				1	2
M 12 x 1.5	08.23 05 12 0	3-8	16	20	20
M 16 x 1.5	08.23 05 16 0	4-12	16	22	22
M 20 x 1.5	08.23 05 21 0	3-9	16	20	22
M 20 x 1.5	08.23 05 20 0	4-12	16	22	22
M 20 x 1.5	08.23 05 22 0	10-16	16	28	28
M 25 x 1.5	08.23 05 26 0	10-18	16	28	28
M 25 x 1.5	08.23 05 25 0	14-20	16	35	35
M 32 x 1.5	08.23 05 32 0	14-24	16	35	35
M 40 x 1.5	08.23 05 40 0	14-24	18	35	45
M 40 x 1.5	08.23 05 41 0	26-34	18	50	50
M 50 x 1.5	08.23 05 50 0	26-35	18	50	55
M 50 x 1.5	08.23 05 51 0	35-44	18	64	64
M 63 x 1.5	08.23 05 63 0	35-45	18	64	68
M 63 x 1.5	08.23 05 64 0	46-56	18	80	75

SW = Width across flats
GL = Thread length




Ex Cable glands

HTP, Ex e Polyamide cable glands

	SW 1	SW 2	Image	Specifications		Product type	Order no.	Cable Ø	GL	SW	
				Atmosphere	G/D					1	2
				Atmosphere	G/D	M 12 x 1.5	08.21 11 13 0	4,0-6,5	10	15	15
				Equipment group	II	M 12 x 1.5	08.21 11 12 0	4,0-6,5	15	15	15
				Category	2/3	M 16 x 1.5	08.21 11 16 0	5,0-8,0	10	19	19
				Zone	1, 2, 21, 22	M 16 x 1.5	08.21 11 17 0	6,0-10,0	15	22	22
				Type of ignition protection	Ex eb, Ex tb	M 20 x 1.5	08.21 11 20 0	7,0-12,0	10	24	24
				Approvals	ATEX	M 20 x 1.5	08.21 11 21 0	7,0-12,0	15	24	24
					IECEX	M 20 x 1.5	08.21 11 22 0	11,0-14,0	15	27	27
					EAC (in preparation)	M 25 x 1.5	08.21 11 24 0	14,0-18,0	15	33	33
				Material	Polyamide 6	M 25 x 1.5	08.21 11 25 0	12,0-17,0	15	29	29
				Ingress protection	IP66, IP68 acc. to IEC 60529	M 32 x 1.5	08.21 11 33 0	19,0-25,0	15	42	42
				Cable types	non-armoured cables	M 32 x 1.5	08.21 11 32 0	16,0-21,0	10	36	36
				Temperature range	-60 °C to +70 °C	M 40 x 1.5	08.21 11 40 0	23,0-32,0	18	53	53
				Certificates	IMQ 18 ATEX 025X	M 50 x 1.5	08.21 11 50 0	31,0-38,0	18	60	60
					IECEX IMQ 18.0006X	M 63 x 1.5	08.21 11 63 0	35-44	18	65	65

HTP, Ex i Polyamide cable glands

	SW 1	SW 2	Image	Specifications		Product type	Order no.	Cable Ø	GL	SW	
				Atmosphere	G/D					1	2
				Atmosphere	G/D	M 12 x 1.5	08.21 12 13 0	4,0-6,5	10	15	15
				Equipment group	II	M 12 x 1.5	08.21 12 12 0	4,0-6,5	15	15	15
				Category	2/3	M 16 x 1.5	08.21 12 16 0	5,0-8,0	10	19	19
				Zone	1, 2, 21, 22	M 16 x 1.5	08.21 12 17 0	6,0-10,0	15	22	22
				Type of ignition protection	Ex eb, Ex tb	M 20 x 1.5	08.21 12 20 0	7,0-12,0	10	24	24
				Approvals	ATEX	M 20 x 1.5	08.21 12 21 0	7,0-12,0	15	24	24
					IECEX	M 20 x 1.5	08.21 12 22 0	11,0-14,0	15	27	27
					EAC (in preparation)	M 25 x 1.5	08.21 12 24 0	14,0-18,0	15	33	33
				Material	Polyamide 6	M 25 x 1.5	08.21 12 25 0	12,0-17,0	15	29	29
				Ingress protection	IP66, IP68 acc. to IEC 60529	M 32 x 1.5	08.21 12 33 0	19,0-25,0	15	42	42
				Cable types	non-armoured cables	M 32 x 1.5	08.21 12 32 0	16,0-21,0	10	36	36
				Temperature range	-60 °C to +70 °C	M 40 x 1.5	08.21 12 40 0	23,0-32,0	18	53	53
				Certificates	IMQ 18 ATEX 025 X	M 50 x 1.5	08.21 12 50 0	31,0-38,0	18	60	60
					IECEX IMQ 18.0006X	M 63 x 1.5	08.21 12 63 0	35-44	18	65	65

SW = Width across flats
GL = Thread length

Ex Blind plugs

C-TS, Ex d e Brass blind plugs



Atmosphere	G/D
Equipment group	II
Category	2/3
Zone	1, 2, 21, 22
Type of ignition protection	Ex db, Ex eb, Ex tb
Approvals	ATEX IECEX EAC (in preparation)
Material	brass, nickel plated
Ingress protection	IP66, IP68 acc. to IEC 60529
Temperature range	-60 °C to +130 °C
Certificates	CESI 19 ATEX 025X IECEX CES 19.0019X

Product type	Order no.	GL	SW
M 16 x 1.5	08.23 04 16 0	15.5	22
M 20 x 1.5	08.23 04 20 0	15.5	25
M 25 x 1.5	08.23 04 25 0	15.5	30
M 32 x 1.5	08.23 04 32 0	15.5	37
M 40 x 1.5	08.23 04 40 0	17.5	45
M 50 x 1.5	08.23 04 50 0	17.5	55
M 63 x 1.5	08.23 04 63 0	17.5	70

757, Ex e, Blind plugs brass long



Atmosphere	G/D
Equipment group	II
Category	2/3
Zone	1, 2, 21, 22
Type of ignition protection	Ex d, Ex e, Ex ta
Approvals	ATEX, IECEX, INMETRO, EAC (TR CU)
Material	Brass, nickelplated
Ingress protection	IP68
Temperature range	-60 °C to +130 °C
Accessories	incl. entry thread sealing washer Material: Viton
Certificates	SIRA13ATEX1265X IECEX SIR13.0094X TC RU C-GB.AA87.B.00487

Product type	Order no.	GL	SW
M 16 x 1.5	08.03 04 16	15	24
M 20 x 1.5	08.03 04 20	15	27
M 25 x 1.5	08.03 04 25	15	36
M 32 x 1.5	08.03 04 32	15	41
M 40 x 1.5	08.03 04 40	15	50
M 50 x 1.5	08.03 04 50	15	60
M 63 x 1.5	08.03 04 63	15	75

HIH, Ex e Polyamide blind plugs



Atmosphere	G/D
Equipment group	II
Category	2/3
Zone	1, 2, 21, 22
Type of ignition protection	Ex eb, Ex tb
Approvals	ATEX IECEX EAC (in preparation)
Material	Polyamide 6
Ingress protection	IP66, IP68 acc. to IEC 60529
Temperature range	-60 °C to +70 °C
Certificates	IMQ 18 ATEX 025X IECEX IMQ 18.0006X

Product type	Order no.	GL	SW
M 12 x 1.5	08.21 14 12 0	10	15
M 16 x 1.5	08.21 14 16 0	12	19
M 20 x 1.5	08.21 14 20 0	11	23
M 20 x 1.5	08.21 14 21 0	15	23
M 25 x 1.5	08.21 14 25 0	15	28
M 32 x 1.5	08.21 14 32 0	15	36
M 40 x 1.5	08.21 14 40 0	18	46
M 50 x 1.5	08.21 14 50 0	18	55
M 63 x 1.5	08.21 14 63 0	18	69

SW = Width across flats
GL = Thread length



Other material Ex

Ex Stainless steel pressure equalisation element



Atmosphere	G/D
Equipment group	II
Category	2/3
Zone	1, 2, 21, 22
Type of ignition protection	Ex e, Ex tb
Approvals	ATEX
Material	1.4305 Stainless Steel
Ingress protection	IP66 to EN 60529
Temperature range	-40 °C to +100 °C
Air flow rate	0.4 l/min at 0.1 bar 5 l/min at 1 bar
Accessories	incl. entry thread sealing washer Material: Perbunan
Certificates	IBExU 10 ATEX 1169 U

Product type	Order no.	GL	SW
M12 x 1.5	08.50 11 12	10	17

CVE, Ex stainless steel drain plug



Atmosphere	G/D
Equipment group	II
Category	2/3
Zone	1, 2, 21, 22
Type of ignition protection	Ex e, Ex tb
Approvals	ATEX, IECEx, INMETRO, EAC (TR CU)
Material	Stainless steel 1.4571
Ingress protection	IP66 to EN 60529
Temperature range	-70 °C to +150 °C
Accessories	incl. entry thread sealing washer Material: Fluorosilicone
Certificates	Sira 10ATEX3279X IECEx SIR 09.0096X TC C-GB.ГБ06.В00105

Product type	Order no.	GL	SW
M 20 x 1.5	08.51 10 20	10	25

CVA, Ex brass drain plug



Atmosphere	G/D
Equipment group	II
Category	2/3
Zone	1, 2, 21, 22
Type of ignition protection	Ex e, Ex tb
Approvals	ATEX, IECEx, INMETRO, EAC (TR CU)
Material	Brass, nickelplated
Ingress protection	IP66 to EN 60529
Temperature range	-70 °C to +150 °C
Accessories	incl. entry thread sealing washer Material: Fluorosilicone
Certificates	Sira 10ATEX3279X IECEx SIR 09.0096X TC C-GB.ГБ06.В00105

Product type	Order no.	GL	SW
M 20 x 1.5	08.51 20 20	10	25

SW = Width across flats
GL = Thread length

Other material Ex

DPE, Ex Polyamide drain plug



Atmosphere	G/D
Equipment group	II
Category	2/3
Zone	1, 2, 21, 22
Type of ignition protection	Ex e, Ex tb
Approvals	ATEX, IECEx, EAC (TR CU)
Material	Polyamide
Ingress protection	IP66 to EN 60529
Temperature range	-30 °C to +85 °C
Certificates	SIRA99ATEX3050X IECEX SIR 08.0024X RU C-GB.ГБ06.В00106

Product type	Order no.	GL	SW
M 25 x 1.5	08.51 01 25	10	35

Brass counter nut



Material	Brass, nickelplated
----------	---------------------

Product type	Order no.	SW
M 16 x 1.5	08.09 09 16	19
M 20 x 1.5	08.09 09 20	23
M 25 x 1.5	08.09 09 25	29
M 32 x 1.5	08.09 09 32	36
M 40 x 1.5	08.09 09 40	45
M 50 x 1.5	08.09 09 50	55
M 63 x 1.5	08.09 09 63	70

Polyamide counter nut



Material	Polyamide 6
Colour	light grey (RAL 7035)
Temperature range	-20 °C to +80 °C

Product type	Order no.	SW
M 12 x 1.5	08.09 07 12	18
M 16 x 1.5	08.09 07 16	22
M 20 x 1.5	08.09 07 20	26
M 25 x 1.5	08.09 07 25	32
M 32 x 1.5	08.09 07 32	41
M 40 x 1.5	08.09 07 40	50
M 50 x 1.5	08.09 07 50	60
M 63 x 1.5	08.09 07 63	75

PDPX, Mushroom plug



Equipment group	II
Category	2/3
Zone	1, 2, 21, 22
Type of ignition protection	Ex e, Ex tb
Approvals	ATEX IECEX EAC (in preparation)
Material	Polyamide 6
Colour	RAL 9005, jet black
Temperature range	-40 °C to +80 °C
Certificates	IMQ 18 ATEX 025X IECEX IMQ 18.0006X

Product type	Order no.	Ø
M 12 x 1,5	08.01 18 12	6,4
M 16 x 1,5	08.01 18 16	9,7
M 20 x 1,5	08.01 18 20	12,0
M 25 x 1,5	08.01 18 25	17,8
M 32 x 1,5	08.01 18 32	25,0
M 40 x 1,5	08.01 18 40	27,3
M 50 x 1,5	08.01 18 50	38,0
M 63 x 1,5	08.01 18 63	44,2

Only in combination with
HTP cable glands

SW = Width across flats
GL = Thread length



Other material Ex

Seals - Nylon



Material	Nylon, 2 mm
Colour	white
Temperature range	-60 °C to +130 °C

Product type

Order no.

M 16	08.00 10 16
M 20	08.00 10 20
M 25	08.00 10 25
M 32	08.00 10 32
M 40	08.00 10 40
M 50	08.00 10 50
M 63	08.00 10 63

Only in combination with

E1FX
E1FW
E1FU
T3CDS
C2K
PX2K
A2F

812040 01/2020 1.000 DC

ROSE Systemtechnik GmbH
Erbeweg 13-15 | D-32457 Porta Westfalica
Fon +49 571 50 41 0 | Fax +49 571 50 41 6
E-Mail rose@rose-pw.de | Web www.rose-systemtechnik.com



A Phoenix Mecano Company