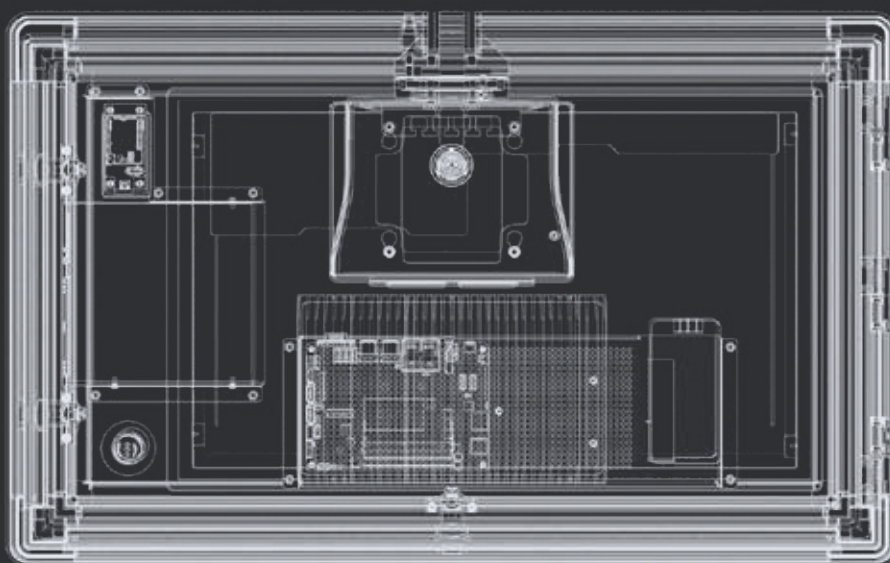




ROSE

A Phoenix Mecano Company



Worker-Guidance-System

WGS-R

- ↗ Increase Productivity
- ↓ Reduce costs
- Ensure quality

Worker-Guidance-System

WGS-R

The mechanical advantages of the ROSE Worker-Guidance-System WGS-R will convince you too. Particularly noteworthy here are the protective collar, which enables the display to be recessed, and the robust, allround abutting edge for a long service life of the housing and device. The carefully constructed aluminium housing enables the best possible heat dissipation for your device.



Specifications

- 12 standard configurations
- Robust Design
- Powerful
- Full-glass-display
- 18,5" - 24"
- Fanless
- Suitable for industry
- Long-term availability
- High degree of protection IP54
- Optional accessories



A Phoenix Mecano Company

The advantages of worker guidance systems:

- ☑ Reduce errors
- ☑ Mastering variants
- ☑ Increase product quality
- ☑ Accelerate familiarization
- ☑ Cut costs
- ☑ Controlled production process
- ☑ Complete logging
- ☑ Enable production to be relocated
- ☑ Satisfied employees



Worker-Guidance-System

WGS-R

- 1 Full glass front with industrial PCAP touch
- 2 Logo print (optional)
- 3 Occupancy area for buttons and fixtures
- 4 Hidden quarter turn

- 5 Aluminium housing for optimal heat dissipation
- 6 Robust hinges
- 7 All-round bumper profile
- 8 RFID reader integration (optional)



- ⑨ 5 1/4" expansion (e.g.: ARAID-system)
- ⑩ Fanless PC-integration of all performance classes
- ⑪ Suspension system connection with internal cable routing (optional)
- ⑫ Compatible with the entire ROSE support arm portfolio

Technical Specifications

Mainboard	fanless system structure, long-term available components				
CPU	Intel®Celeron® 4305UE (2.0GHz) 8th Gen Intel® Core™ i3-8145UE (2.2GHz/3.9GHz) 8th Gen Intel® Core™ i5-8365UE (1.6GHz/4.1GHz) 8th Gen Intel® Core™ i7-8665UE (1.7GHz/4.4GHz)				
RAM	DDR4-2400 SO-DIMM, Max. 32GB (Non-ECC)				
SSD	M.2 120-240GB				
Inputs	4x USB3.1 Type A, 1x USB Type-C, 2x SATA 3.0, 3x RS232, 1x RS232/422/485 Digital I/O (4-in/4-out)				
Display 18,5"	Resolution	Brightness	Contrast	Angle	MTBF-Time
	1920x1080 px	350cd/m ²	1000 : 1	178° H/V	50.000h
Display 21,5"	Resolution	Brightness	Contrast	Angle	MTBF-Time
	1920x1080 px	300cd/m ²	5000 : 1	178° H/V	50.000h
Display 23,8"	Resolution	Brightness	Contrast	Angle	MTBF-Time
	1920x1080 px	450cd/m ²	1000 : 1	178° H/V	50.000h
Touch	PCAP Multitouch with interference suppression, palm rest and glove operation				
Power Supply	100-245VAC				
Operating System	Windows 10 Enterprise IoT LTSC / Windows 10 pro				
Support-arm connectivity	VESA100, via Flat Panel Adapter connection possible on almost all ROSE support arm components				
Dimensions / Weight	t.b.d.				

Optional

WLAN	M.2 Intel AX200, incl. Bluetooth
RFID-Integration	125kHz+13.56MHz, can be parameterized according to customer requirements, alt. Euchner EKS module scan
ARAID	ARAID M500-Integration through 5 1/4" shaft possible

WGS-R

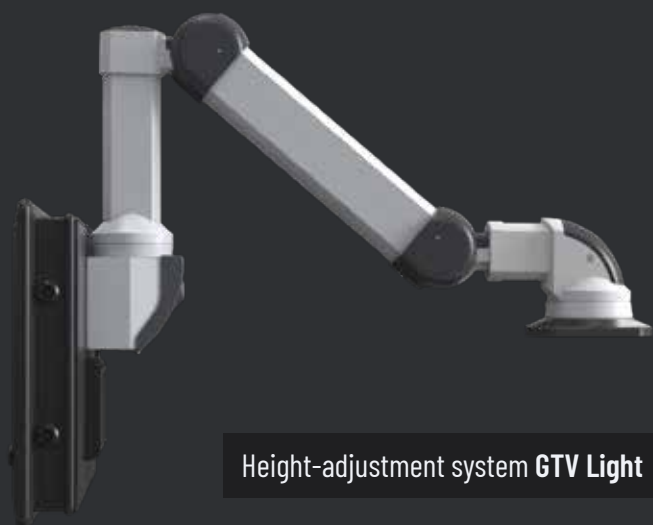
Support-arm Connectivity



Support arm **GTN II**



Support arm **GTS**



Height-adjustment system **GTV Light**



GTN Console stand



ROSE

A Phoenix Mecano Company

Your contacts for the automotive industry:



Peter Schiller

Head of Sales HMI Solutions / Key Account Manager Automotive

✉ peter.schiller@rose-pw.de
☎ +49 171-771 991 1
☎ +49 4826-37666 36



Jochen Lindemann

Dipl.-Ing. / Key Account Manager Automotive

✉ jochen.lindemann@rose-pw.de
☎ +49 173-294 401 2
☎ +49 571-5041 107

Rose Systemtechnik GmbH
Erbeweg 13 - 15
32457 Porta Westfalica

✉ rose@rose-pw.de
🌐 www.rose-systemtechnik.com
☎ +49 571 - 50410

HMI SOLUTIONS