



**RK ROSE+KRIEGER**

A Phoenix Mecano Company

## Linear Technology

Lifting columns and electric cylinders for the new control generation MultiControl II



# About Us

As a subsidiary of the global Phoenix Mecano AG, we offer an unrivalled range of products in the fields of linear, profile, connecting and module technology. With decades of experience and expertise in a huge range of industrial applications, you need look no further for a highly competent partner. From the first point of contact through to delivery, we focus entirely on your requirements. Individual advice and short delivery periods are two central priorities in our customer-focused corporate philosophy. Our aim is your success, and we look forward to being your strategic partner.



**Head Office:** Germany, Minden/Westph.

- ✓ Company sales representatives
- ✓ Distributors and system partners



## Available around the globe.

- ✓ Profit Centre within Phoenix Mecano
- ✓ Sales and system partners

■ = Production facilities

● = Distribution companies

**Fax: +49 571 9335-119**

**Telephone: +49 571 9335-0**

**E-Mail: [anfrage.vertrieb@rk-online.de](mailto:anfrage.vertrieb@rk-online.de)**

**[www.rk-rose-krieger.com](http://www.rk-rose-krieger.com)**

# Our product range

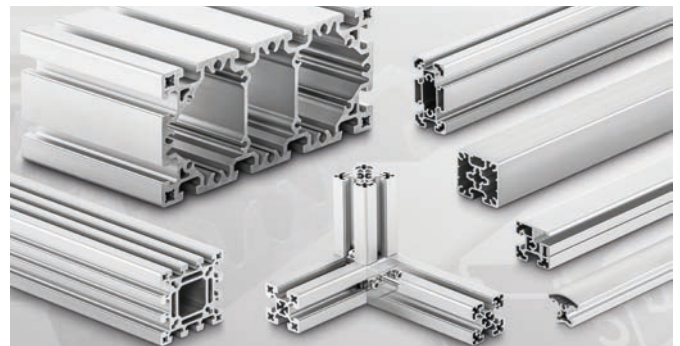
## CONNECTING TECHNOLOGY

- ✓ Fittings for the secure clamp connection of round and square tubes
- ✓ Elements made of aluminium, stainless steel and plastic
- ✓ Sizes from 8 mm to 80 mm



## PROFILE TECHNOLOGY

- ✓ The tried and tested BLOCAN® aluminium assembly system
- ✓ Sections from 20 mm to 320 mm for all applications
- ✓ Connecting technology with an unsurpassed combination of flexibility and reliability



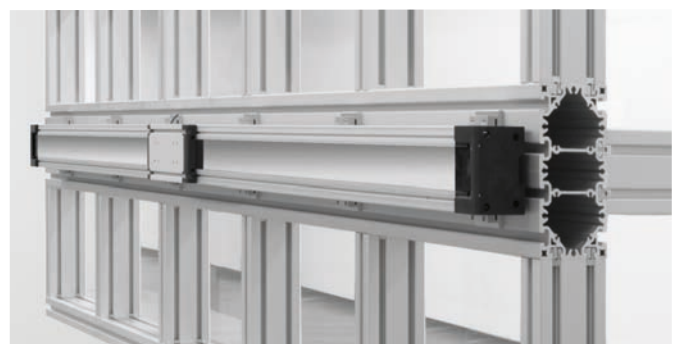
## LINEAR TECHNOLOGY

- ✓ Manual adjustment units
- ✓ Electric cylinders
- ✓ Lifting columns
- ✓ Linear axes
- ✓ We can move loads for you of up to 3 t and up to 12 m dynamically, reliably and with great precision



## MODULE TECHNOLOGY

- ✓ Machine frames
- ✓ Workstations
- ✓ Machine guards
- ✓ Multidimensional linear axis modules
- ✓ Complete drive solutions



One of the core competencies of RK Rose+Krieger is our range of variable-length linear systems with their electric motor driven modules for height adjustment. The lifting columns and electric cylinders are extremely versatile, so they are used in many different sectors:

- ✓ Industrial applications
- ✓ Installation aids to assist with heavy loads
- ✓ Height-adjustable standing or sitting workstations
- ✓ Effective support to enable greater independence for the physically challenged
- ✓ Applications in the field of medical technology

Whilst the lifting columns are designed to handle bending moments, the electric cylinders are an excellent alternative to pneumatic cylinders. They offer some major advantages:

- ✓ Smooth running, including at low speeds
- ✓ Exact positioning
- ✓ Self-locking when stationary
- ✓ Efficiency (no leakage losses possible)

Reliable technology and ease of installation in your system are essential requirements. On the following pages, we hope to inspire you and introduce you to the products from our variable-length linear technology product range in more detail.

**Place your individual and unique applications in the hands  
of our experienced specialists.  
We will be happy to advise you regarding customised solutions.**

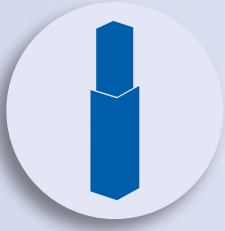
**Technology that adapts to your needs!**



## The RK linear circle

Page 10

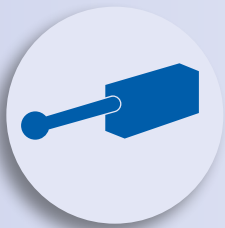
- Lifting columns
- Electric cylinders
- Controls & Accessories



## Lifting columns

Page 12

- Product selection
- RK Slimlift
- RK Slimlift EM
- Multilift
- Multilift interior carriage
- Multilift II
- RK PowerLift M
- Multilift II telescope



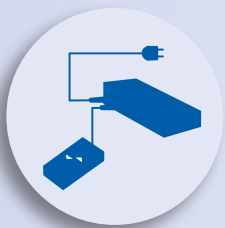
## Electric cylinder

Page 102

- Product selection
- LZ 60 P
- LZ 60 S

You will find more electric cylinders in the General Catalogue PDF

**Linear Technology Lifting columns and electric cylinders**



## Controls & Accessories

Page 126

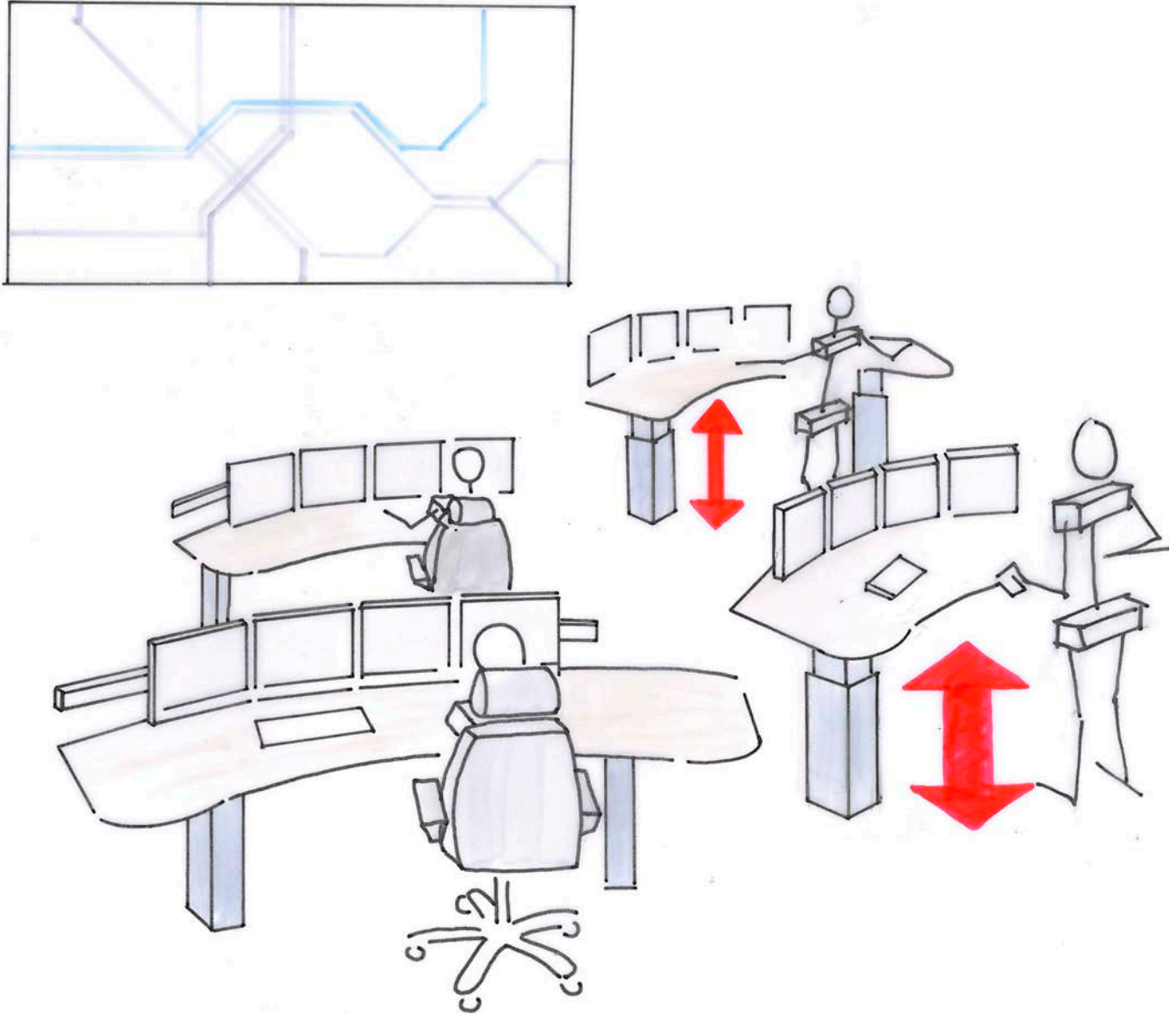
- MultiControl II duo
- MultiControl II quadro
- I/O - Interface
- Compact-e-3-EU

## Appendix

Page 161

- Inquiry form
- Glossary
- Index

# Areas of application



## Advantages

- ✓ Fewer absences due to illness
- ✓ Mobilises the locomotor system
- ✓ Increases concentration
- ✓ Dynamic working helps prevent work fatigue



## Further application examples

The wide range of RK Rose+Krieger GmbH lifting columns and electric cylinders means that the applications are virtually unlimited. The following is just a selection of the most commonly used systems.

We will be pleased to advise you regarding customised solutions.

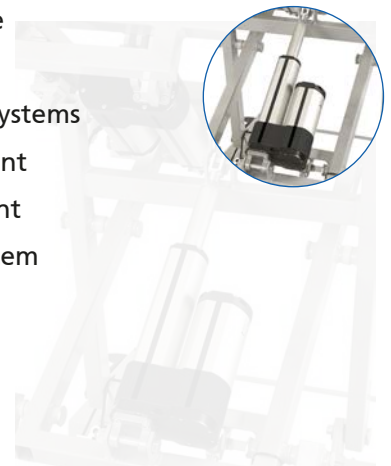
### Workplace ergonomics

- ✓ Control rooms (power plant, police, fire service, radio, locks)
- ✓ Assembly workstations
- ✓ Laboratory workstations
- ✓ Control cabinet installation
- ✓ RK LEAN assembly workstation systems
- ✓ Office workstations
- ✓ Ergonomic ship bridge design (DNV GL)



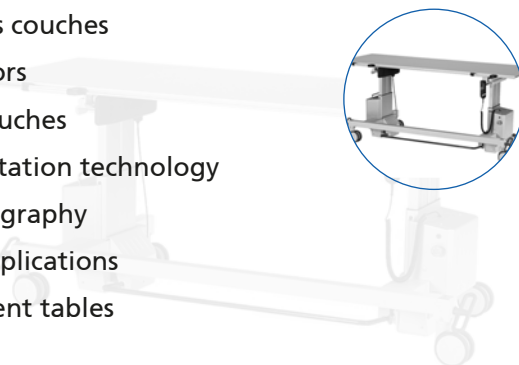
### Industrial technology

- ✓ Table press machine
- ✓ Polishing machines
- ✓ Equipment carrier systems
- ✓ Scissor lift adjustment
- ✓ Conveyor adjustment
- ✓ Mobile transfer system
- ✓ Industrial scanner



### Medical technology

- ✓ Wellness couches
- ✓ Incubators
- ✓ X-ray couches
- ✓ Rehabilitation technology
- ✓ Mammography
- ✓ Chair applications
- ✓ Instrument tables



### Media technology

- ✓ Media screen
- ✓ TV height adjustment
- ✓ Presentation technology
- ✓ Projector adjustment
- ✓ Information board
- ✓ Lectern



## Our Multilift II systems

The perfect lifting column for every application



### Assembly workstations for the manufacture of electronic components

- ✓ Multilift II ESD – discharging voltages via the lifting column

page 60



### Assembly workstations for industry

- ✓ Multilift II impact – with integrated damping system

page 62



### Overhead applications without external securing

- ✓ Multilift II safety – with integrated drop protection

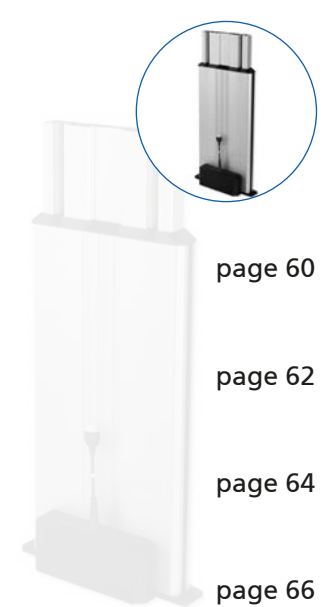
page 64



### Ergonomics in the clean room

- ✓ Multilift II clean – for use in clean room areas

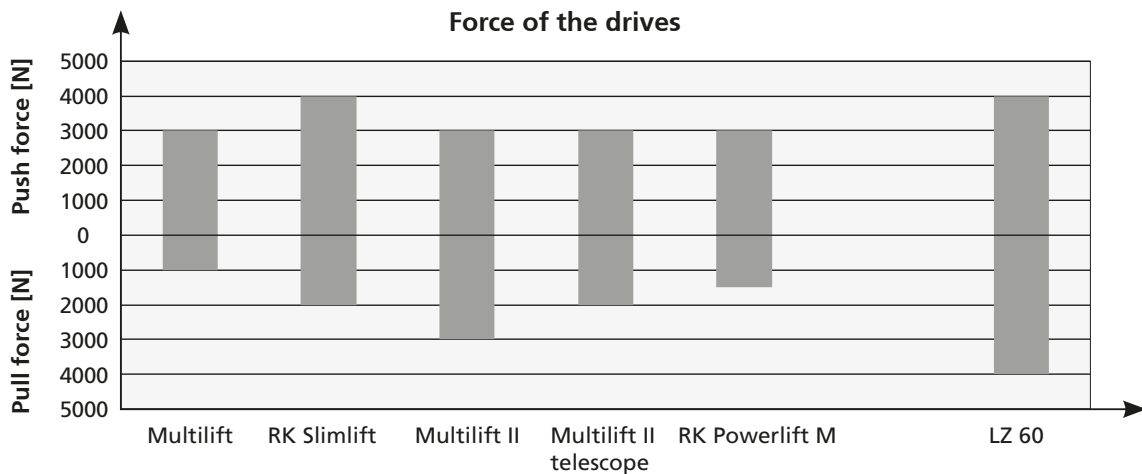
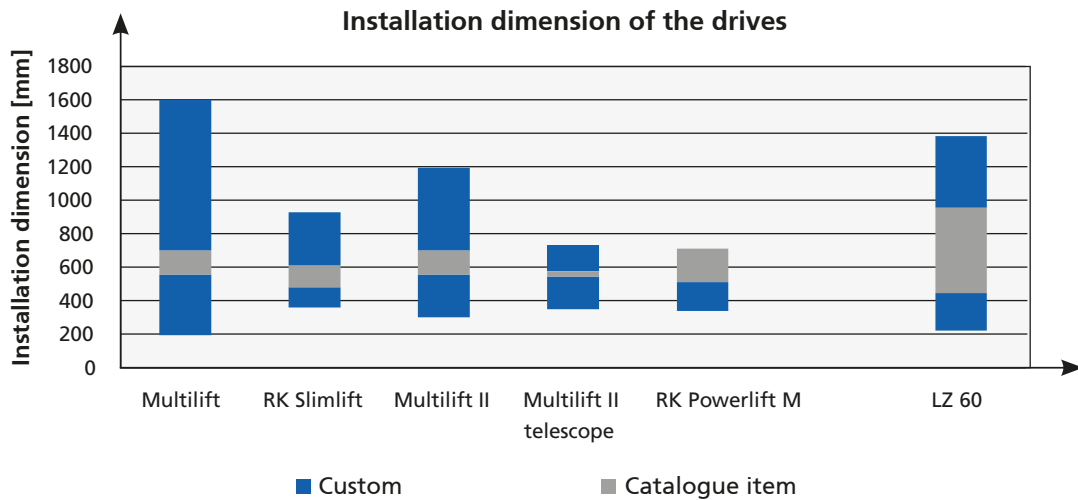
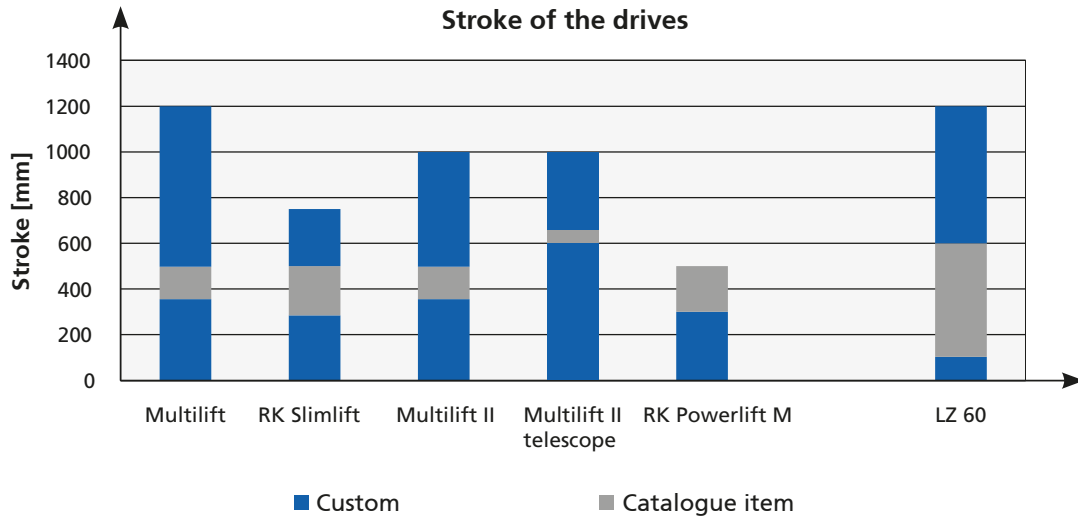
page 66



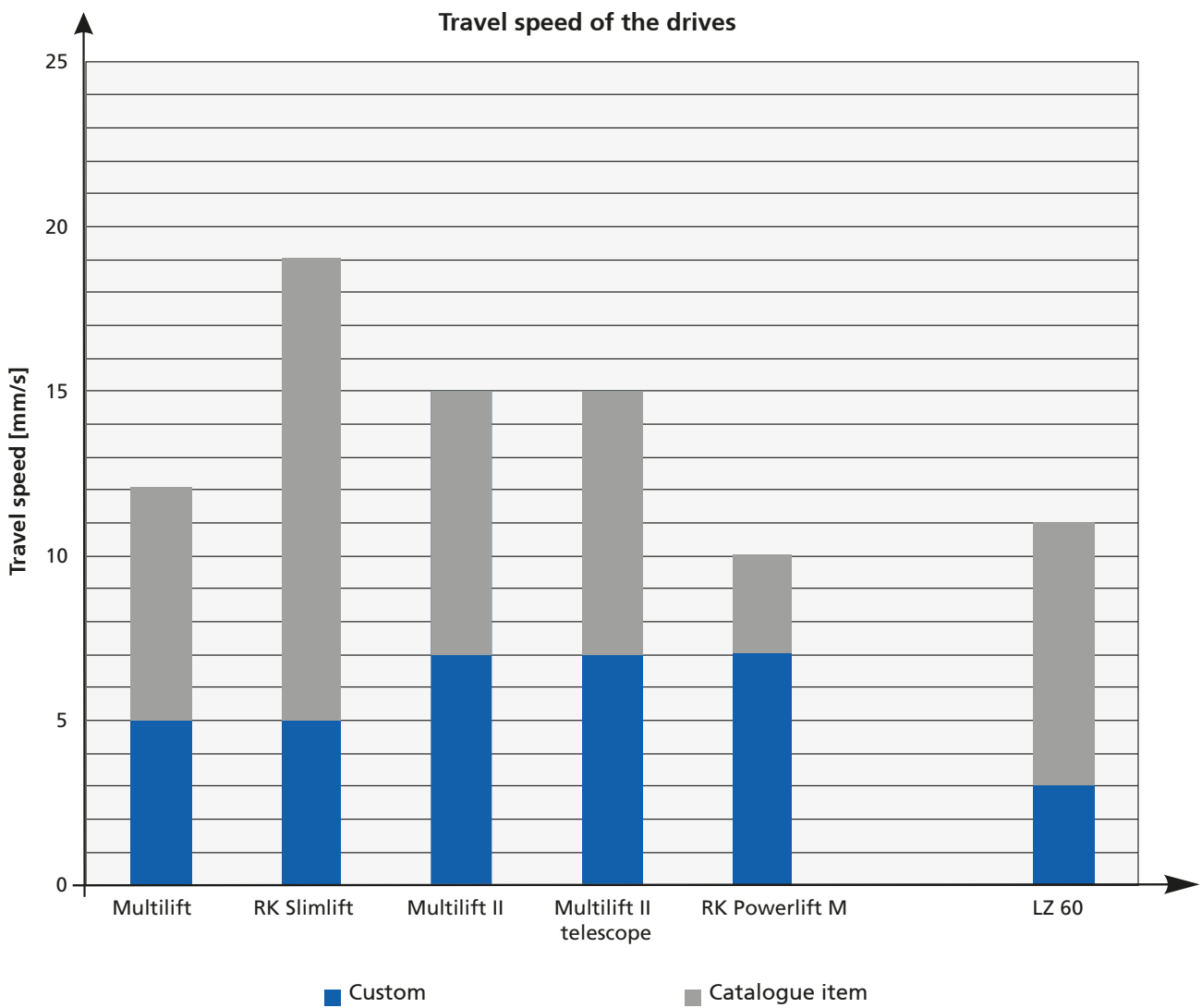
# Product selection

The comparative diagrams will enable you to select a product based on various criteria. However, special versions (e.g. longer stroke, greater lifting force, higher travel speed etc.) are also available on request.

The specifications of the catalogue items (grey) refer to the standard version. The custom specifications (blue) apply to drive versions already implemented.



**Lifting columns and electric cylinders**

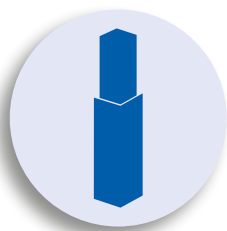






#### Features:

- ✓ Fully integrated technology / maintenance-free
- ✓ Self-locking, even under max. load
- ✓ Withstands torsional and bending moments
- ✓ Clear anodised aluminium profile surface
- ✓ Special versions available on request



**Lifting columns**

from page 12

**Electric cylinder**

from page 102

**Your application  
takes  
centre stage**

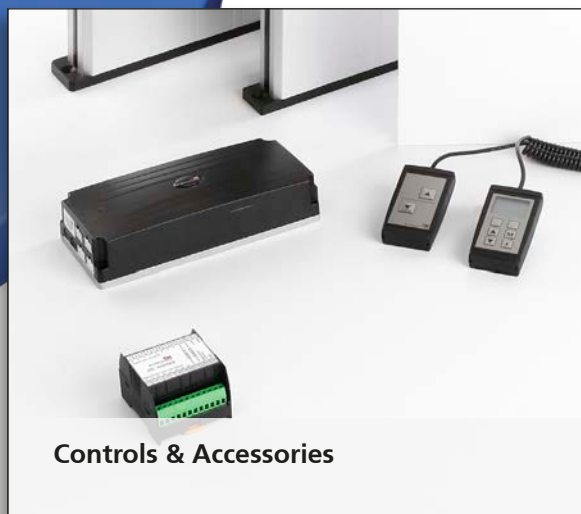
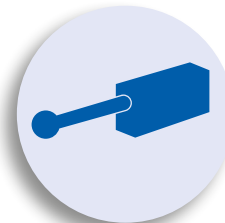
**Controls &  
Accessories**

from page 126



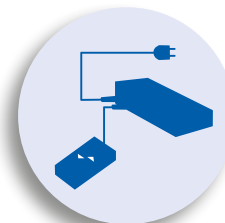
**Features:**

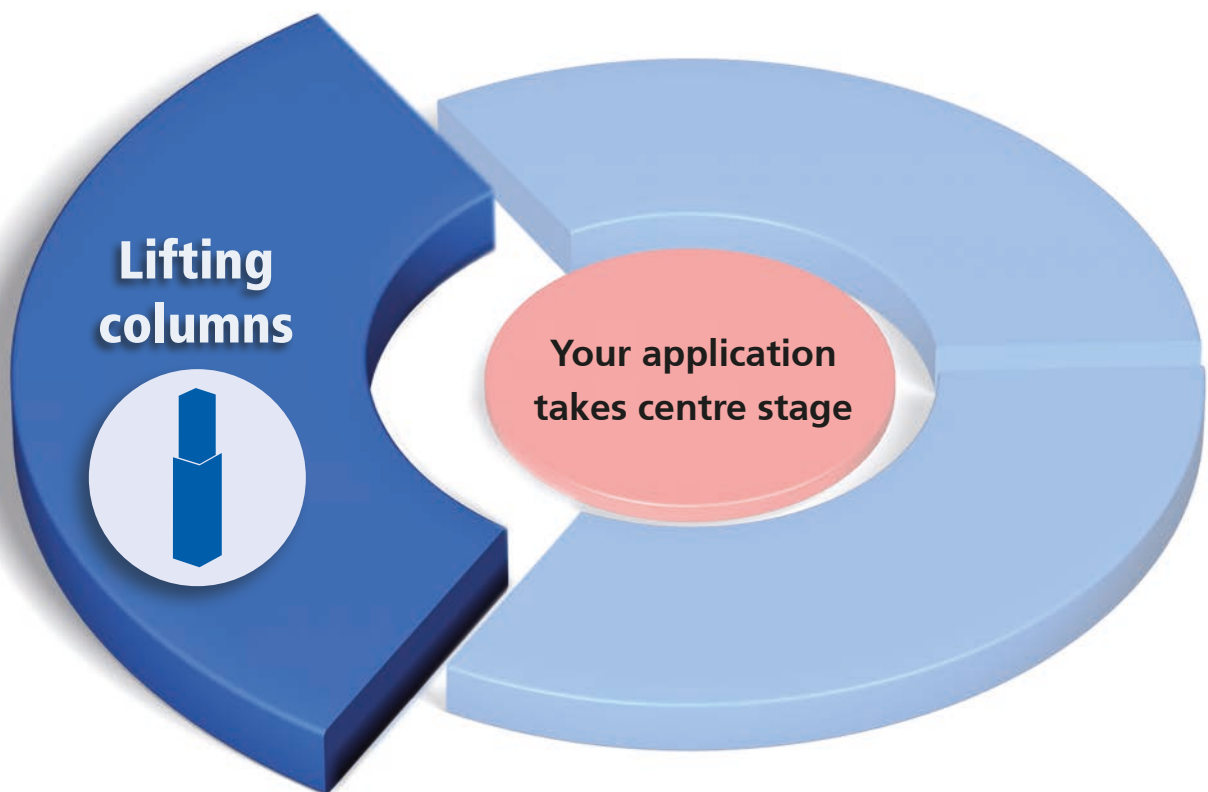
- ✓ Fully integrated technology / maintenance-free
- ✓ Self-locking, even under max. load
- ✓ Can be installed in any position
- ✓ Various stroke lengths and speeds
- ✓ Special versions available on request



**Features:**

- ✓ Connection for up to 32 drives (bus system)
- ✓ Memory function
- ✓ Visual status indication
- ✓ Standardised Modbus (RTU) protocol
- ✓ Guided start-up
- ✓ Automatic BUS search





## **Lifting columns**

are the ideal drive elements when stable guidance is required in addition to motorised adjustment. Electrotechnical knowledge is not generally necessary for putting them into operation. Combinations forming multiple synchronisations open up an impressive range of applications.



**Contents**

---

|                                  |         |
|----------------------------------|---------|
| RK Slimlift.....                 | Page 16 |
| RK Slimlift EM.....              | Page 26 |
| Multilift.....                   | Page 34 |
| Multilift interior carriage..... | Page 48 |
| Multilift II.....                | Page 54 |
| RK Powerlift M.....              | Page 82 |
| Multilift II telescope.....      | Page 90 |
| Multilift II telescope ESD.....  | Page 96 |

# ***Lifting columns***

# Lifting columns - Product selection

## Finding the right lifting column

Depending on technical and optical requirements, it takes just 2 steps to find the lifting column that matches your needs.

### Step 1

Determine the type of lifting column.

### Step 2

Choose the appropriate version.

### Two-stage lifting columns (up to 500 mm travel)

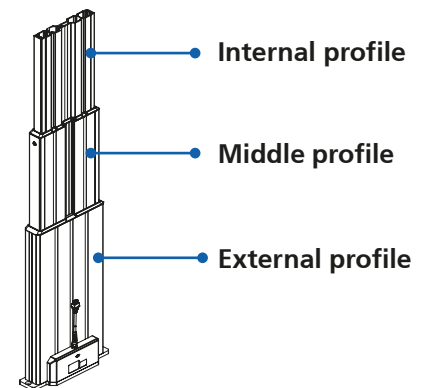
The data refer to the standard sizes



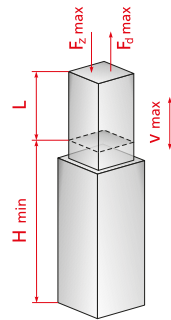
| Features  | RK Slimlift<br>page 16                         | RK Slimlift EM<br>page 26                                 | Multilift<br>page 34                               | Multilift with<br>internal carriage<br>page 46  | Multilift II<br>page 54 |
|---|--|---|--|---|-------------------------|
| Max. travel   | 500 mm   | 500 mm  | 498 mm   | 498 mm  | 498 mm                  |
| Max. push force   | 4000 N   | 1000 N  | 3000 N   | 3000 N  | 3000 N                  |
| Max. pull force   | 2000 N   | 1000 N  | 1000 N   | 1000 N  | 3000 N                  |
| Max. travel speed   | 5-19 mm/s                                      | 15 mm/s   | 6-13 mm/s  | 6-13 mm/s   | 8-16 mm/s               |
| Protection rating   | 4,5 A  | 3,5 A   | 4 A  | 4 A   | 4 A                     |
| Integrated limit switch   | IP 30  | IP 30   | IP 20  | IP 10   | IP 20                   |
| Can be synchronised by means of control system                  | ●  | ●   | ●  | ●   | ●                       |
| Integr. control   |  |   |  |   |                         |
| Manual version optional with hand wheel / crank handle optional | ●  |   | ●  |   |                         |
| Features  | ✓ Rod-shaped design, extremely quiet operation | ✓ Rod-shaped design, with external motor, quiet operation | ✓ Quadruple bearings with POM slide bearing shells | ✓ Special stroke lengths available on request<br>✓ Height adjustment of equipment and devices in the tightest of spaces | ✓ Side fixing slot      |

RK Rose+Krieger lifting columns consist of two or three extruded and bright anodised aluminium profiles (inner, middle and outer) in various forms, depending on the version. The telescoping versions allow you to achieve optimum installation height/stroke length ratios. All the drives also feature excellent stability and a high stroke.

Up to four drives can be connected to one controller and operated synchronously. A BUS connection can be used to combine up to 8 controllers with each other.







L = Travel [mm]  
 H = Installation dimension [mm]  
 $F_d$  = Push force [N]  
 $F_z$  = Pull force [N]  
 v = Travel speed [mm/s]

**Two-stage lifting columns  
(up to 500 mm travel)**

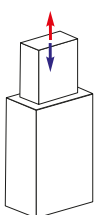
**Multi-stage  
lifting columns  
(more than 500 mm travel)**



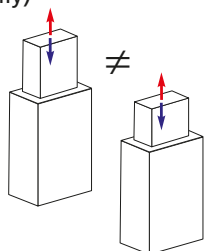
| Multilift II ESD<br>page 60                                    | Multilift II<br>impact<br>page 62                        | Multilift II safety<br>page 64                           | Multilift II clean<br>page 72                              | RK Powerlift M<br>page 80      | Multilift II<br>telescope<br>page 80                                       | Multilift II<br>telescope ESD<br>page 82                       |
|--|--|--|--|--------------------------------|--|--|
| 498 mm   | 498 mm   | 498 mm   | 498 mm   | 500 mm                         | 650 mm   | 650 mm   |
| 3000 N   | 3000 N   | –  | 3000 N   | 3000 N                         | 3000 N   | 3000 N   |
| 3000 N   | 3000 N   | 600 N  | 3000 N   | 1500 N                         | 2000 N   | 2000 N   |
| 8-16 mm/s  | 8 mm/s   | 16 mm/s  | 8-16 mm/s  | 7-10 mm/s                      | 8-16 mm/s  | 8-16 mm/s  |
| 4 A  | 4 A  | 2 A  | 4 A  | 4,5 A                          | 4,5 A  | 4,5 A  |
| IP 20  | IP 20  | IP 20  | IP 20  | IP 30                          | IP 30  | IP 30  |
| •  | •  | •  | •  | •<br>•*                        | •  | •  |
| ✓ Outer and inner profile electrically connected to each other | ✓ Allows impact forces due to an internal damping system | ✓ Allows over-head use due to integrated fall protection | ✓ Suitability according to EN ISO 14644 -1 for clean rooms | ✓ Enables high bending moments | ✓ Optimum stroke/ installation height ratio<br>✓ DIN EN 527-1:2011 konform | ✓ Outer and inner profile electrically connected to each other |

\*The Powerlift M with internal control is included in the catalogue of lifting columns and electric cylinders

**Single columns**  
(can be moved individually)

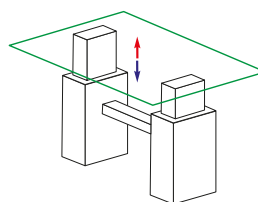


**Single operation/  
Mono operation**

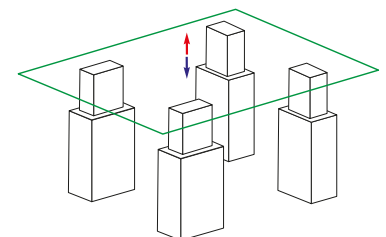


**Parallel operation**

**Synchronised columns (2–32 units)**  
(can be moved synchronously)



**Synchronised operation**



**Multiple column system**

# Two-stage lifting column – *RKSlimlift*

## Rod-shaped design and extremely quiet operation

### *RKSlimlift*



#### 4 fixing threads

- ✓ Simple connection
- Axial cable output on request

#### Integrated drive

- ✓ Slim design

#### Fixed motor cable

- ✓ (2,5 m) with plug

#### Attractive design

- ✓ Slender rod shape in the design versions Eclipse and Basic

#### Highlights / Features:

- Excellent installation height/ stroke length ratio
- Self-locking, even at max. load
- Fixing slots in external profile

#### Options:

- Version with manual drive via crank handle
- Further stroke lengths available on request
- Quadro control enables control of up to 32 columns synchron

Table of contents – *RK Slimlift*

|                           |  |
|---------------------------|--|
| <p><b>Versions</b></p>    | <p>Lifting column</p> <ul style="list-style-type: none"> <li>■ <i>RK Slimlift</i> ..... Page 18</li> </ul>   |
| <p><b>Accessories</b></p> | <p>Fixing</p> <ul style="list-style-type: none"> <li>■ Foot..... Page 22</li> <li>■ Square nut ..... Page 23</li> <li>■ Profile adaptor ..... Page 23</li> </ul> |

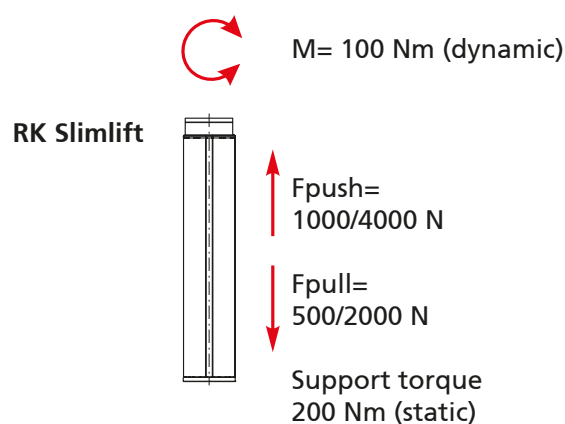
## General information / operating conditions

| Type                                      | RK Slimlift   | Custom |
|---|---|--------|
| Design                                    | Rod-shaped lifting column   |        |
| Guide                                     | POM slide bearings  |        |
| Installation position                     | Any position/suspended with drop protection provided by the customer    |        |
| Push force                                | 4000 N or 1000 N  |        |
| Pull force                                | 2000 N or 500 N   |        |
| Self-locking                              | yes   |        |
| Max. travel speed                         | 5 mm/s or 19 mm/s   |        |
| Max. stroke                               | 460 mm  | 750 mm |
| Installation dimension                    | 610 mm  | 930 mm |
| Voltage                                   | 36 V DC   |        |
| Current output                            | 3,5 A or 4,5 A  |        |
| Protection class                          | IP 30   |        |
| Ambient temperature                       | +5°C to +40°C   |        |
| Displacement during synchronous operation | 0 to 4 mm   |        |
| Duty cycle (Operation mode S3)            | At nominal load, 15% (max. 1.5 mins operating time, 8.5 mins rest time) |        |

### Note:

All information refers to the standard sizes. All data of push/pull forces are referring to the individual lifting column, for combined applications a safety factor of up to 0,6 has to be considered.

## Load data



| Drive       | Push force [N] | Travel speed [mm/s] | Number of assigned motor channels |   |             |             |
|-------------|----------------|---------------------|-----------------------------------|---|-------------|-------------|
|             |                |                     | 1                                 | 2 | 3           | 4           |
| RK Slimlift | 1000           | 19                  | ✓                                 | ✓ | each 500 N  | each 300 N  |
| RK Slimlift | 4000           | 5                   | ✓                                 | ✓ | each 3500 N | each 2000 N |

MultiControl II duo

MultiControl II quadro



### Note:

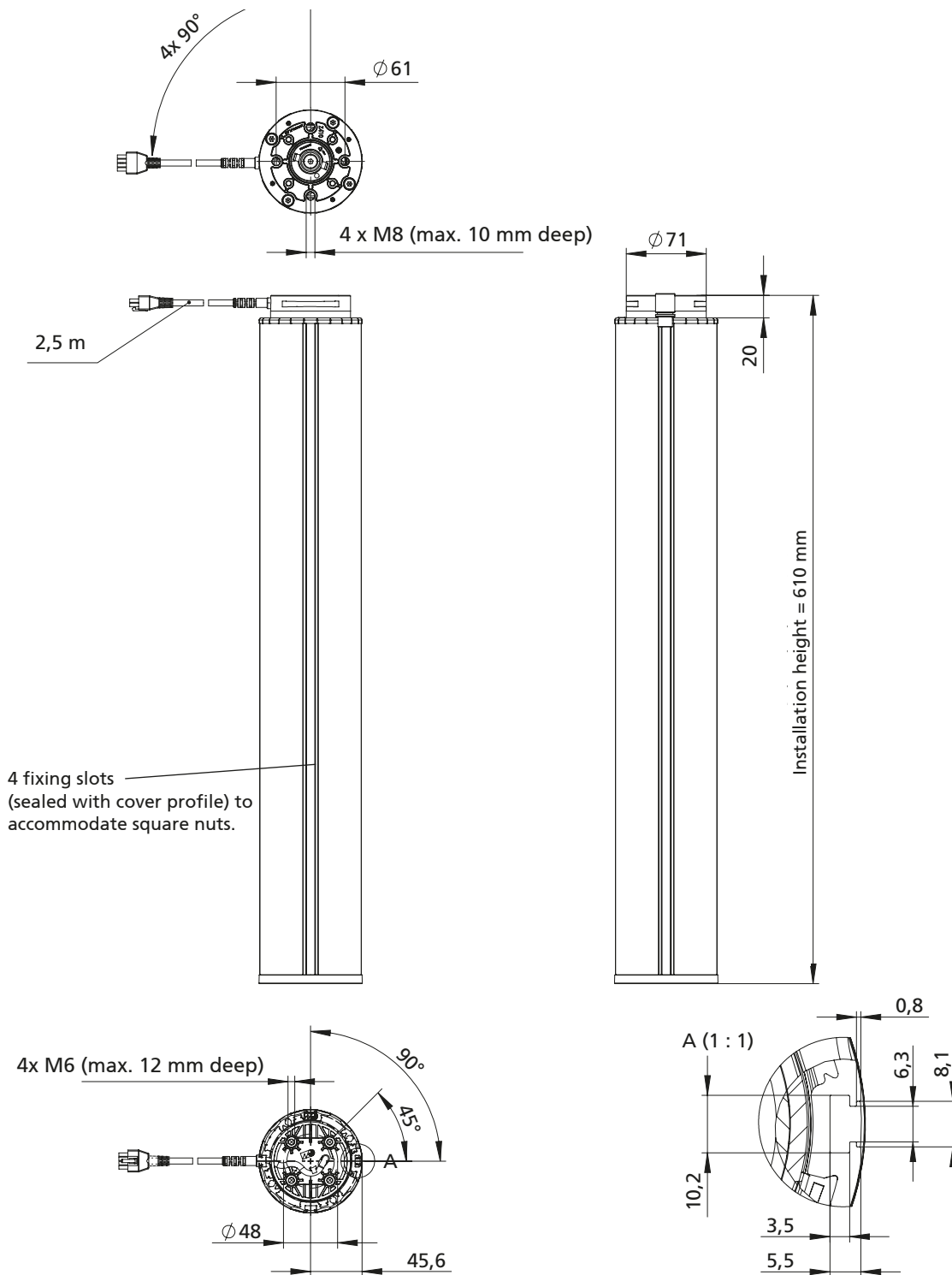
If more than 2 drives are to be operated synchronously at nominal load, BUS communication between two or more MultiControl II duo controllers is required.

The necessary accessories can be found on page 146

The procedure for setting up BUS communication is described in detail in the operating manual.



RK Slimlift





# RKSlimlift – Versions

## RKSlimlift

The **RKSlimlift** with integrated drive technology delivers high forces and requires a minimum of space. The resultant installation height/stroke length ratio means that short travel times and forces of up to 4000 N can also be achieved. The maximum stroke of the standard catalogue model is 460 mm (customised 700 mm). The slimline design, made from bright anodised extruded aluminium profiles guided by preconfigured plastic slide elements, opens up a wide range of possible combinations for you.

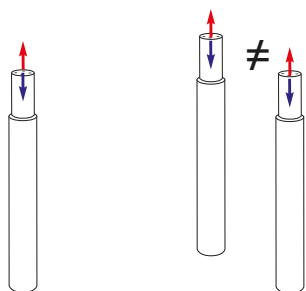


### Special features:

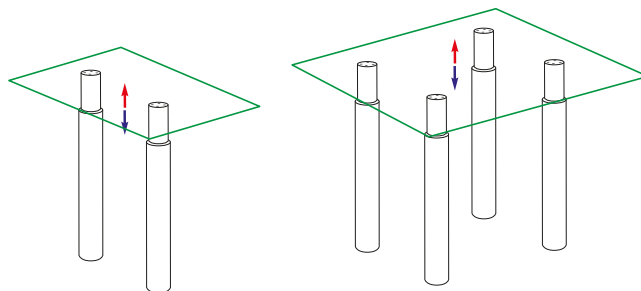
- Excellent installation height/stroke length ratio
- Attractive design
- Self-locking, even under max. load
- Fixing slots in external profile

### Ideal areas of application:

- ✓ Workplace ergonomics
- ✓ Industrial technology
- ✓ Media technology



1-2 Slimlifts in single or parallel operation



2-4 Slimlifts in synchronous operation

## Parallel operation

The premium version of the MultiControl II quadro has drive group management. Alongside synchronous and stand-alone operation, this also allows the following drive combinations to run parallel (1+1, 1+2, 2+1, 2+2).

## Synchronous operation

Synchronous operation of two or more columns. In conjunction with the integrated sensors, the control (see page 130) ensures synchronisation, and thus constant alignment of all the columns in both directions of travel, even if subject to different loads. The synchronous operation tolerance depends on the lifting speed and is max. 1.5 mm for the 5 mm/s version and max. 3 mm for the 19 mm version. A memory function is also available.

## Individual components:

### Lifting column *RKSlimlift*

| Code No.      | Type                      | Push force [N] | Pull force [N] | Lifting speed [mm/s] | Total travel [mm] | Installation dimension [mm] | Weight [kg] |
|---------------|---------------------------|----------------|----------------|----------------------|-------------------|-----------------------------|-------------|
| QSL32BA180460 | <i>RKSlimlift</i> Eclipse | 1000           | 500            | 19                   | 460               | 610                         | 6.0         |
| QSL32BA380460 | <i>RKSlimlift</i> Basic   | 1000           | 500            | 19                   | 460               | 610                         | 6.0         |
| QSL10BD380285 | <i>RKSlimlift</i> Basic   | 4000           | 2000           | 5                    | 285               | 610                         | 7.0         |

## System components

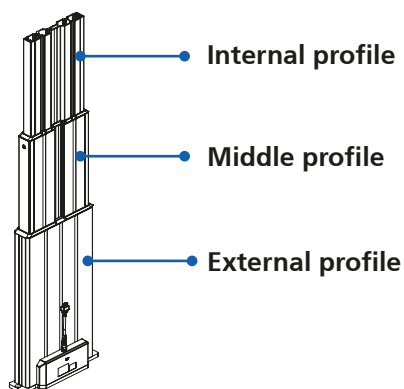
| Code No.      | Accessories   |                   |
|---------------|---|-------------------|
| Controls      |   |                   |
| QST20H12AA000 | MultiControl II duo - Basic                                     | <i>RKSlimlift</i> |
| QST20H12AA022 | MultiControl II duo - Premium                                   |                   |
| QST20H14AA000 | MultiControl II quadro - Basic                                  | <i>RKSlimlift</i> |
| QST20H14AA022 | MultiControl II quadro - Premium                                |                   |
| Hand switches |   |                   |
| QZB11G07AV041 | Hand switch with 6 function keys and display – 1 m cable length |                   |
| QZB11G07AB041 | Hand switch with 2 function keys – 1 m cable length             |                   |
| QZD000074     | Hand switch drawer for hand switch with 6 and 2 function keys   |                   |
| IEC connector |   |                   |
| QZD070618     | IEC cable (Europe version, earthed plug)                        |                   |

**Note:**

Further accessories (hand switches, connecting cables etc.) can be found in the chapter „Controls and accessories“ starting on page 126

# RK Slimlift – Accessories

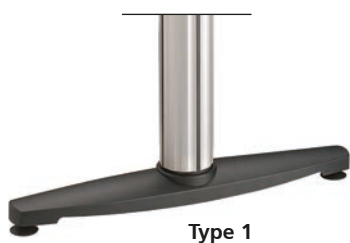
## Foot



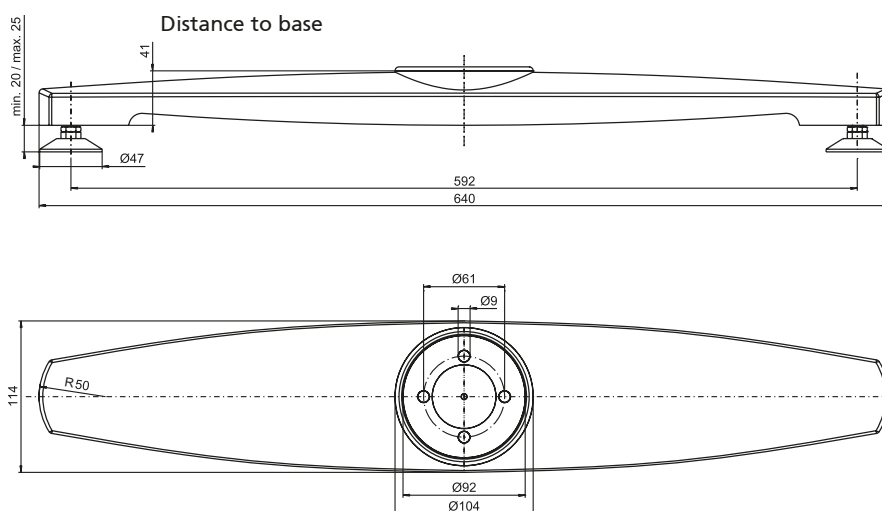
■ Both foot versions can be bolted to the external profile without the need for any further modifications

**Material:** GK-ALSi12/3.2583.02, black powder-coating

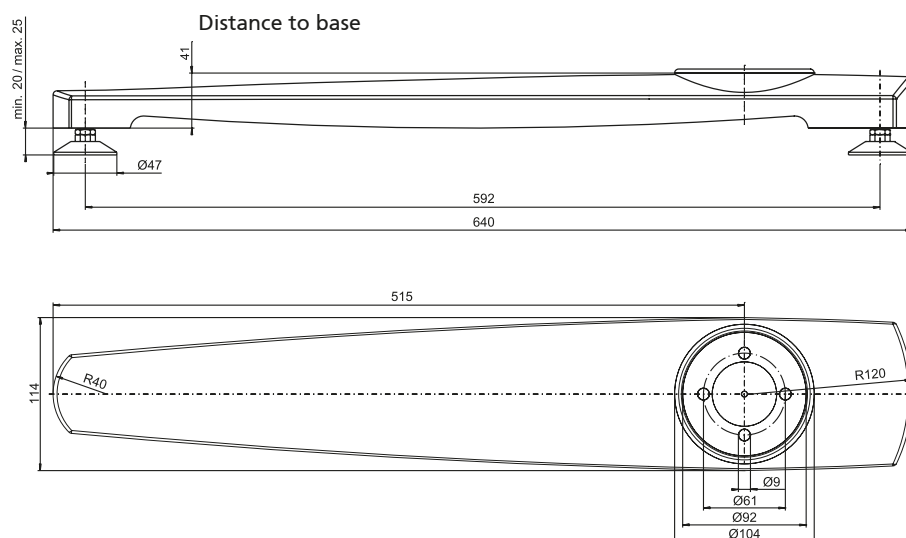
**Max. load 1000 N**



### Type 1



### Type 2



| Code No.  | Type | Max. load | RK Slimlift      |                  |
|-----------|------|-----------|------------------|------------------|
|           |      |           | Internal profile | External profile |
| QZD120341 | 1    | 1000 N    |                  | •                |
| QZD120342 | 2    | 1000 N    |                  | •                |



### Square nut



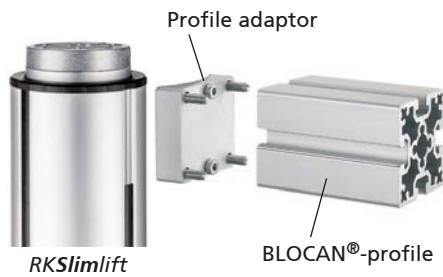
■ For connecting accessories to the external profile

**Material:** zinc plated steel

| Code No.   | lot sizes         | Type                   |
|------------|-------------------|------------------------|
| QZD0505971 | 10, 20, 30... pcs | Square nut M6, DIN 562 |

### Profile adaptor

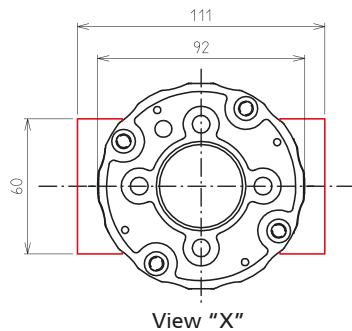
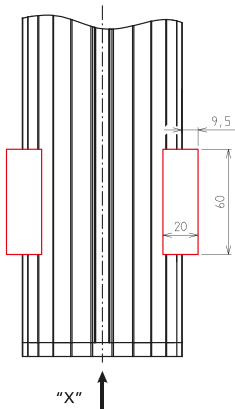
Connection example



■ The profile adaptor allows several lifting columns to be together to form a stable combination. In this way, and with minimum effort, four columns can be connected to form lifting tables and operated via a synchronous control (MultiControl quadro). The aluminium profiles F-60/1, F-60-L, F-G 60, F-2G 60 from the BLOCAN® Profile Assembly System are suitable as struts for this purpose.

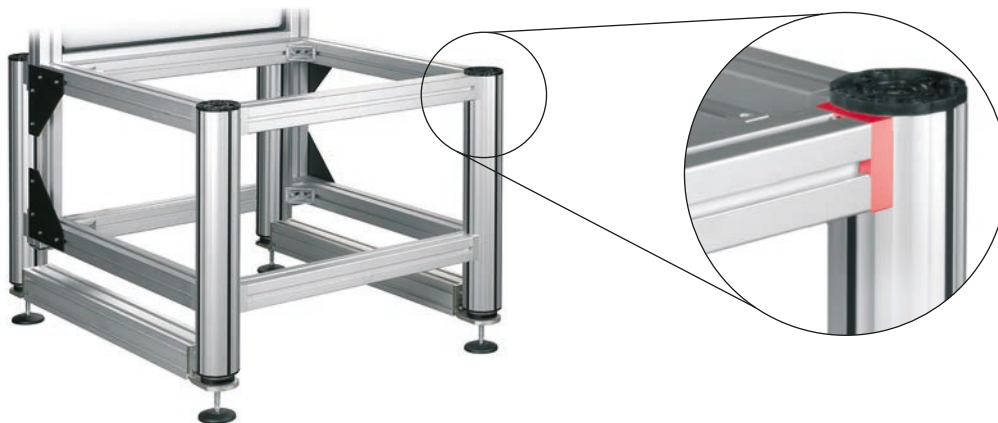
**Material:** AlMgSi, clear anodised zinc plated fastenings

**Scope of delivery:** one profile adaptor with fastenings for attachment to one end of the profile



| Code No.  | Type                     | RK Slimlift      |                  |
|-----------|--------------------------|------------------|------------------|
|           |                          | Internal profile | External profile |
| QZD120256 | Complete profile adaptor |                  | ●                |

Application example:



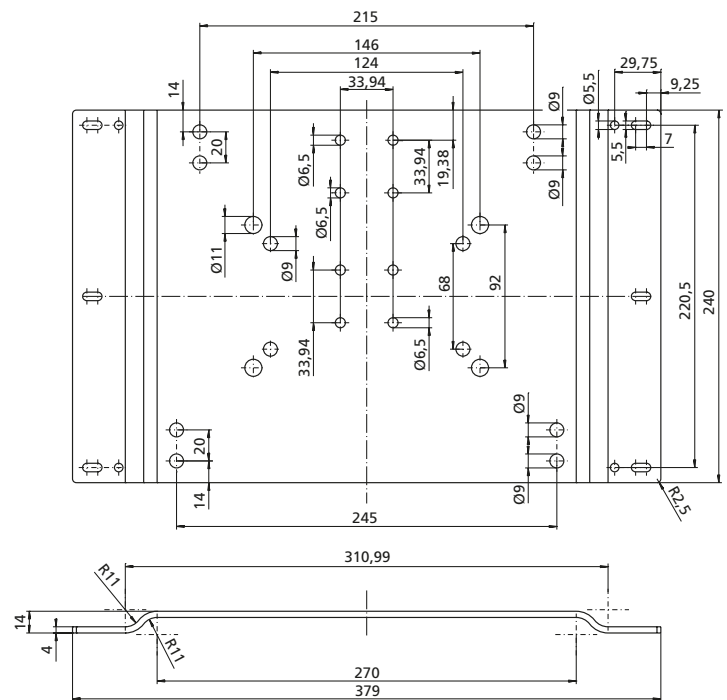
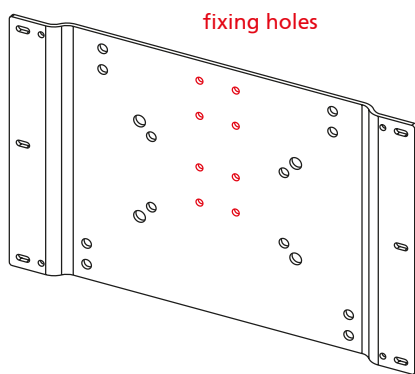
# RK Slimlift – Fixing

## Fixing plate (not for EM)



■ This universal plate can be bolted directly into the screw channel of the lifting column using a fixing set. The numerous pre-drilled holes in the metal make it easy to attach table tops, brackets, etc.

**Material:** steel, black powder-coated (RAL 9005), zinc plated fastenings



| Code No.  | Version                          | RK Slimlift      |                  |
|-----------|----------------------------------|------------------|------------------|
|           |                                  | Internal profile | External profile |
| QZD100313 | Fixing plate                     | ●                |                  |
| QZD120336 | Fixing set, 4x M6 x 14, DIN 7984 |                  |                  |





# Two-stage lifting column – *RKSlimlift EM*

## Rod-shaped design and extremely quiet operation



### Highlights / Features:

- Excellent installation height/stroke length ratio
- Self-locking, even at max. load
- Fixing slots in external profile

### Optionen:

- Version with manual drive via crank handle
- Further stroke lengths available on request
- Quadro control enables control of up to 32 columns synchron

Table of contents – *RK Slimlift EM*

|                           |                       |  |
|---------------------------|-----------------------|--|
| <p><b>Versions</b></p>    | <p>Lifting column</p> | <ul style="list-style-type: none"> <li>■ <i>RK Slimlift EM</i>..... Page 28</li> </ul>   |
| <p><b>Accessories</b></p> | <p>Fixing</p>         | <ul style="list-style-type: none"> <li>■ Foot..... Page 32</li> <li>■ Square nut ..... Page 33</li> <li>■ Profile adaptor ..... Page 33</li> </ul> |

# RK Slimlift EM – Technical data

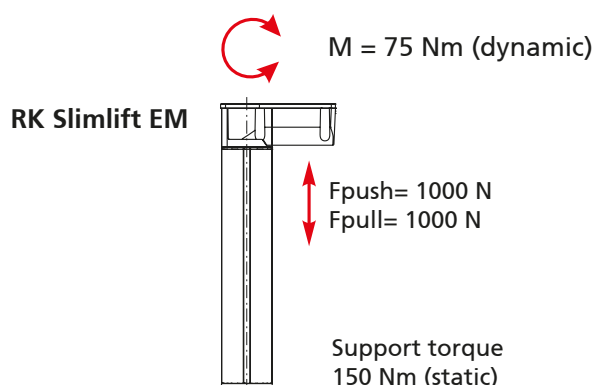
## General information / operating conditions

| Type                                      | RK Slimlift EM  | Custom |
|---|---|--------|
| Design                                    | Rod-shaped lifting column   |        |
| Guide                                     | POM slide bearings  |        |
| Installation position                     | Any position/suspended with drop protection provided by the customer    |        |
| Push force                                | 1000 N  |        |
| Pull force                                | 1000 N  |        |
| Self-locking                              | yes   |        |
| Max. travel speed                         | 15 mm/s   |        |
| Max. stroke                               | 500 mm  | 750 mm |
| Installation dimension                    | Stroke + 180 mm   | 930 mm |
| Voltage                                   | 36 V DC   |        |
| Current output                            | 3,5 A   |        |
| Protection class                          | IP 30   |        |
| Ambient temperature                       | +5°C to +40°C   |        |
| Displacement during synchronous operation | 0 to 4 mm   |        |
| Duty cycle (Operation mode S3)            | At nominal load, 15% (max. 1.5 mins operating time, 8.5 mins rest time) |        |

### Note:

All information refers to the standard sizes. All data of push/pull forces are referring to the individual lifting column, for combined applications a safety factor of up to 0,6 has to be considered.

## Load data



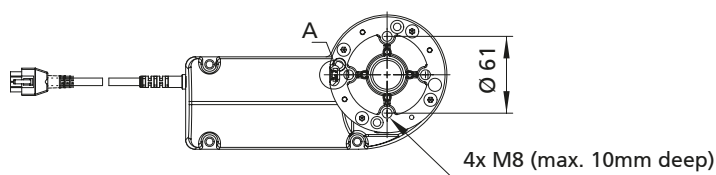
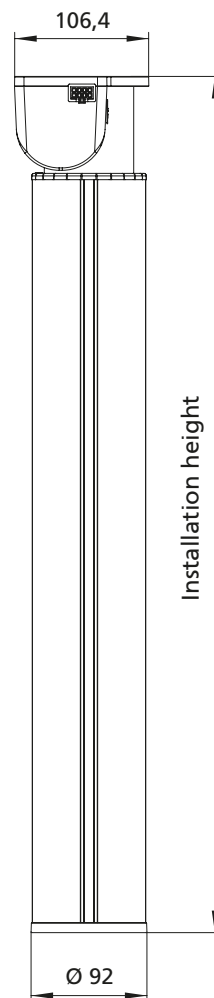
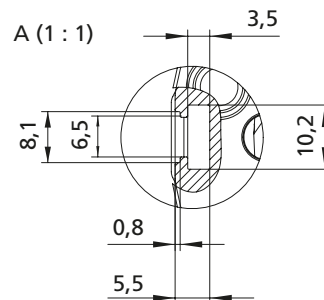
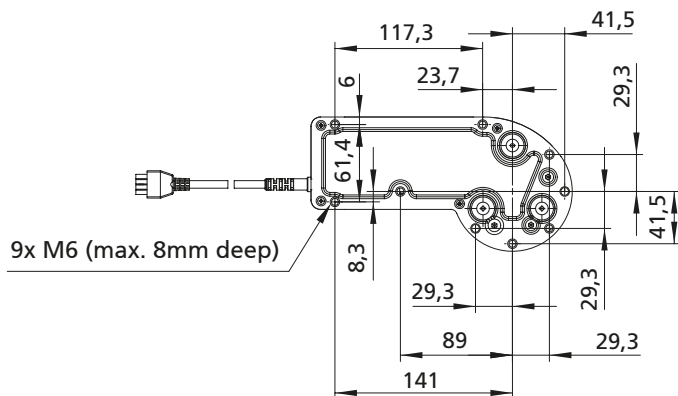
| Drive          | Push force [N] | Travel speed [mm/s] | Number of assigned motor channels |   |                        |            |
|----------------|----------------|---------------------|-----------------------------------|---|------------------------|------------|
|                |                |                     | 1                                 | 2 | 3                      | 4          |
| RK Slimlift EM | 1000           | 15                  | ✓                                 | ✓ | each 900 N             | each 600 N |
|                |                |                     | MultiControl II duo               |   | MultiControl II quadro |            |

### Note:

If more than 2 drives are to be operated synchronously at nominal load, BUS communication between two or more MultiControl II duo controllers is required. The necessary accessories can be found on page 146. The procedure for setting up BUS communication is described in detail in the operating manual.



RK Slimlift EM



# RK Slimlift EM – Versions

## RK Slimlift EM

Based on the tried-and-tested **RK Slimlift** lifting column a further version has been developed. On the **RK Slimlift EM** the motor/gear unit is installed above the inner profile and is used simultaneously as a mounting surface for table frames screwed in place from above or table tops screwed in place from below, for instance. With a compressive force of 1000 N the **RK Slimlift EM** achieves 15 mm/s and absorbs side torques of an impressive 150 Nm. The standard installation dimension is 610 mm, with a stroke of up to 500 mm (Custom 750 mm) being possible.

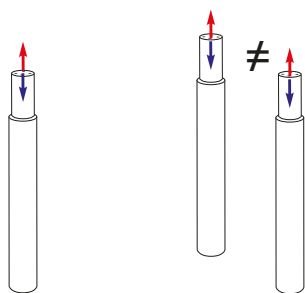


### Special features:

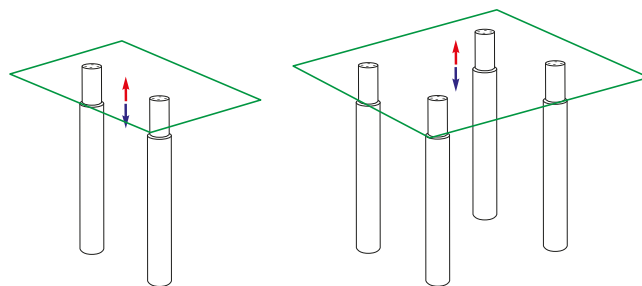
- Excellent installation height/stroke length ratio
- Attractive design
- Self-locking, even under max. load
- Fixing slots in external profile

### Ideal areas of application:

- ✓ Workplace ergonomics
- ✓ Industrial technology
- ✓ Media technology



1-2 Slimlifts in single or parallel operation



2-4 Slimlifts in synchronous operation

## Parallel operation

The premium version of the MultiControl II quadro has drive group management. Alongside synchronous and stand-alone operation, this also allows the following drive combinations to run parallel (1+1, 1+2, 2+1, 2+2).

## Synchronous operation

Synchronous operation of two or more columns. In conjunction with the integrated sensors, the control (see page 130) ensures synchronisation, and thus constant alignment of all the columns in both directions of travel, even if subject to different loads. The synchronous operation tolerance depends on the lifting speed and is max. 1.5 mm for the 8 mm/s version. A memory function is also available.

## Individual components:

### Lifting column *RKSlimlift EM*

| Code No.      | Type                         | Push force [N] | Pull force [N] | Lifting speed [mm/s] | Total travel [mm] | Installation dimension [mm] | Weight [kg] |
|---------------|------------------------------|----------------|----------------|----------------------|-------------------|-----------------------------|-------------|
| QSL25BA290300 | <i>RKSlimlift EM</i> Basic   | 1000           | 1000           | 15                   | 300               | 480                         | ~4.5        |
| QSL25BA190300 | <i>RKSlimlift EM</i> Eclipse | 1000           | 1000           | 15                   | 300               | 480                         | ~4.5        |
| QSL25BA290400 | <i>RKSlimlift EM</i> Basic   | 1000           | 1000           | 15                   | 400               | 580                         | ~5.3        |
| QSL25BA190400 | <i>RKSlimlift EM</i> Eclipse | 1000           | 1000           | 15                   | 400               | 580                         | ~5.3        |
| QSL25BA290430 | <i>RKSlimlift EM</i> Basic   | 1000           | 1000           | 15                   | 430               | 610                         | ~5.5        |
| QSL25BA190430 | <i>RKSlimlift EM</i> Eclipse | 1000           | 1000           | 15                   | 430               | 610                         | ~5.5        |
| QSL25BA290500 | <i>RKSlimlift EM</i> Basic   | 1000           | 1000           | 15                   | 500               | 680                         | ~6.0        |
| QSL25BA190500 | <i>RKSlimlift EM</i> Eclipse | 1000           | 1000           | 15                   | 500               | 680                         | ~6.0        |

## System components

| Code No.      | Accessories   |                      |
|---------------|---|----------------------|
| Controls      |   |                      |
| QST20H12AA000 | MultiControl II duo - Basic                                     | <i>RKSlimlift EM</i> |
| QST20H12AA022 | MultiControl II duo - Premium                                   |                      |
| QST20H14AA000 | MultiControl II quadro - Basic                                  | <i>RKSlimlift EM</i> |
| QST20H14AA022 | MultiControl II quadro - Premium                                |                      |
| Hand switches |   |                      |
| QZB11G07AV041 | Hand switch with 6 function keys and display – 1 m cable length |                      |
| QZB11G07AB041 | Hand switch with 2 function keys – 1 m cable length             |                      |
| QZD000074     | Hand switch drawer for hand switch with 6 and 2 function keys   |                      |
| IEC connector |   |                      |
| QZD070618     | IEC cable (Europe version, earthed plug)                        |                      |

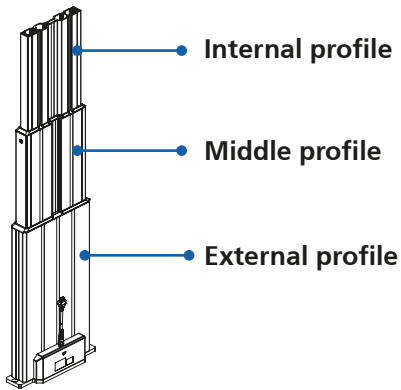
### Note:

Further accessories (hand switches, connecting cables etc.) can be found in the chapter „Controls and accessories“ starting on page 130



# RK Slimlift EM – Accessories

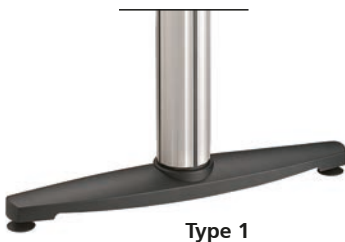
## Foot



- Both foot versions can be bolted to the external profile without the need for any further modifications

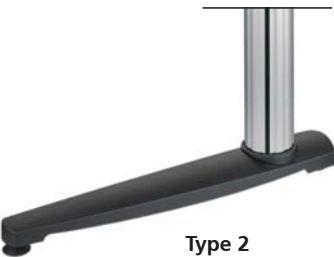
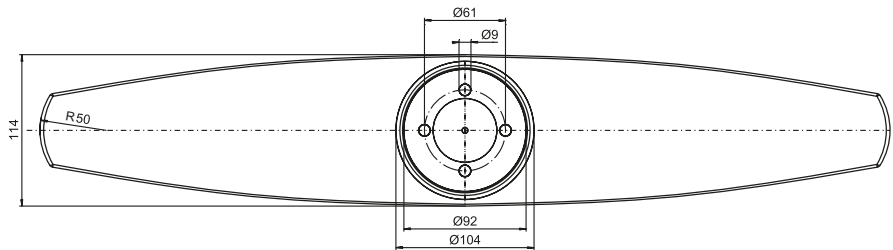
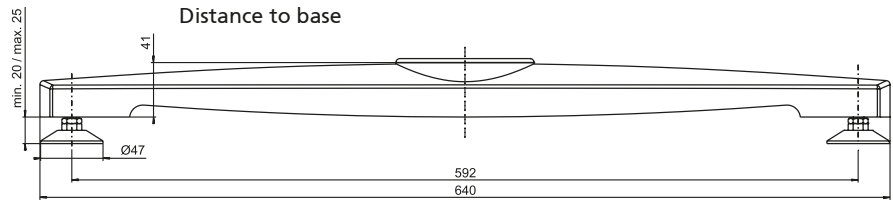
**Material:** GK-ALSi12/3.2583.02, black powder-coating

**Max. load 1000 N**



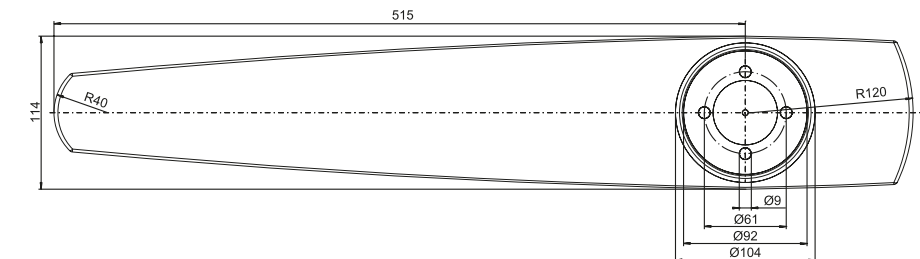
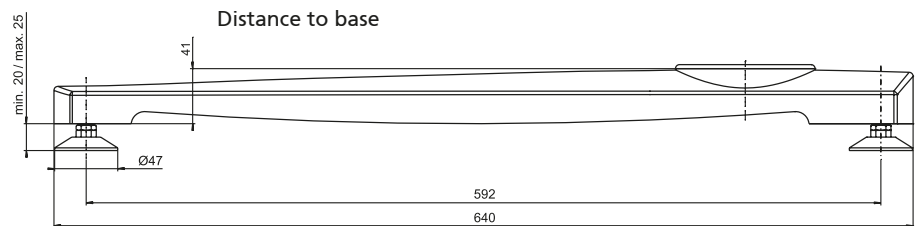
Type 1

### Type 1



Type 2

### Type 2



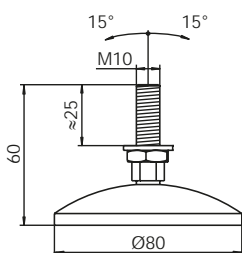
| Code No.  | Type | Max. load | RK Slimlift EM   |                  |
|-----------|------|-----------|------------------|------------------|
|           |      |           | Internal profile | External profile |
| QZD120341 | 1    | 1000 N    |                  | •                |
| QZD120342 | 2    | 1000 N    |                  | •                |

## Levelling foot (for Type EM)

- The foot can be bolted centrally into the base plate of the RK Slimlift EM.

**Material:** steel parts zinc plated Pivot plate PA, black

- Max. screw-in depth 25 mm



| Code No.  | Type           | RK Slimlift EM   |                  |
|-----------|----------------|------------------|------------------|
|           |                | Internal profile | External profile |
| QZD120340 | Levelling foot |                  | •                |

**Square nut**

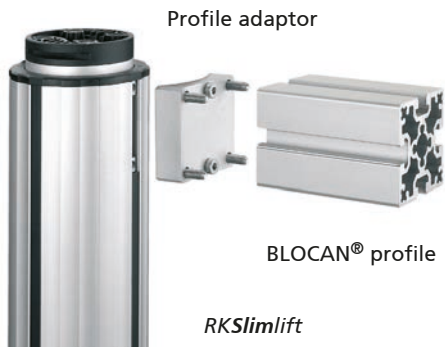


- For connecting accessories to the external profile
- **Material:** zinc plated steel

| Code No.   | lot sizes         | Type                   |
|------------|-------------------|------------------------|
| QZD0505971 | 10, 20, 30... pcs | Square nut M6, DIN 562 |

**Profile adaptor**

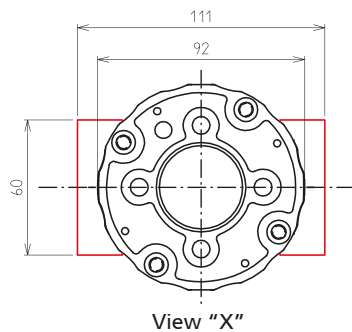
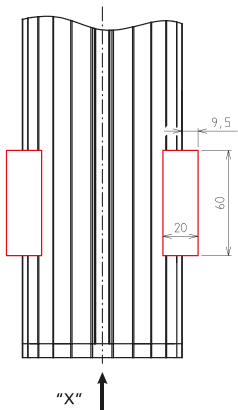
Connection example



- The profile adaptor allows several lifting columns to be together to form a stable combination. In this way, and with minimum effort, four columns can be connected to form lifting tables and operated via a synchronous control (MultiControl II quadro). The aluminium profiles F-60/1, F-60-L, F-G 60, F-2G 60 from the BLOCAN® Profile Assembly System are suitable as struts for this purpose.

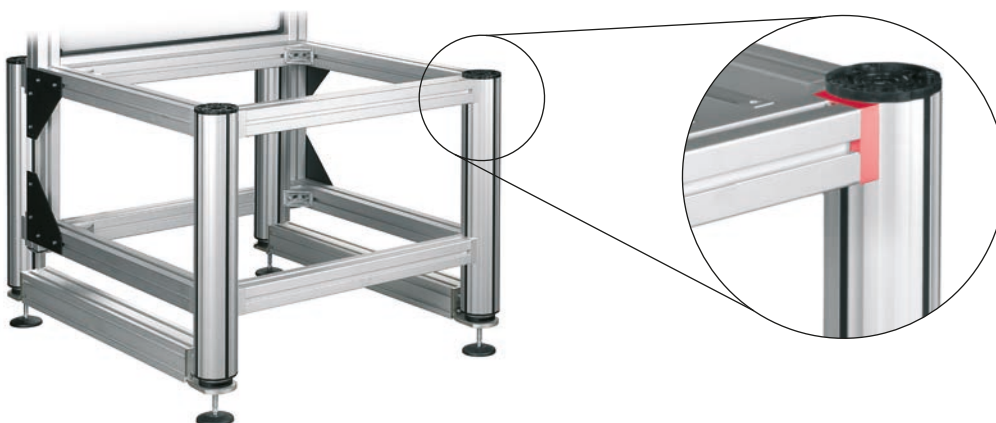
- **Material:** AlMgSi, clear anodised Galvanised fastenings

**Scope of delivery:** one profile adaptor with fastenings for attachment to one end of the profile



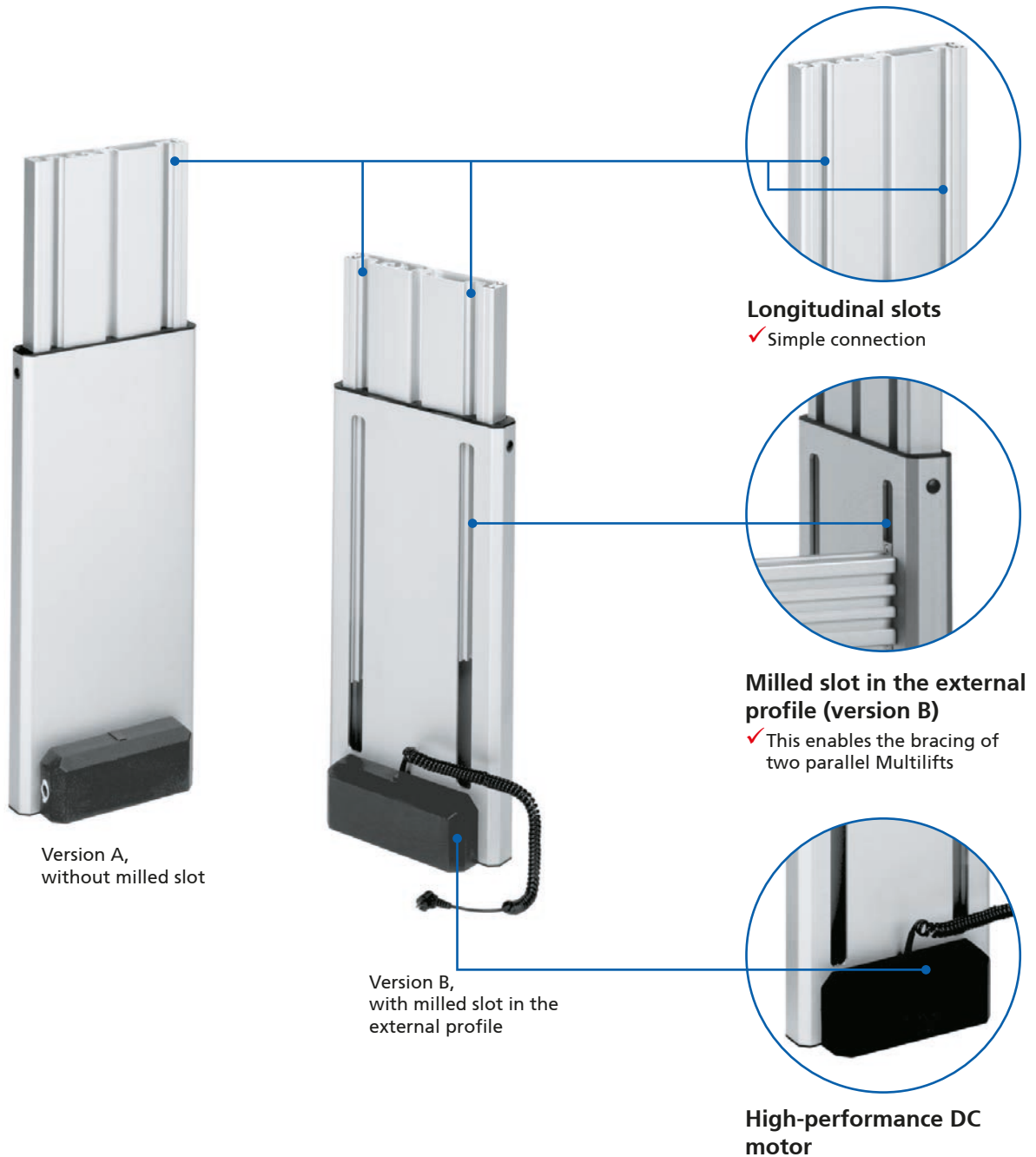
| Code No.  | Type                     | RK Slimlift EM   |                  |
|-----------|--------------------------|------------------|------------------|
|           |                          | Internal profile | External profile |
| QZD120256 | Complete profile adaptor |                  | ●                |

Application example:





## Slimline design and an unbeatable price/performance ratio



### Highlights / Features:

- Quadruple bearings with POM slide bearing shells
- High-performance DC motor
- Integrated limit switches
- Self-locking, even under max. load

### Options:

- Special stroke lengths
- Quadro control enables control of up to 32 columns synchron
- Tested to EN 60601-1 (3E)

## Multilift - Table of contents

|                           |                              |  |
|---------------------------|------------------------------|--|
| <p><b>Versions</b></p>    | <p><b>Lifting column</b></p> | <ul style="list-style-type: none"> <li>■ Multilift Synchro ..... Page 38</li> </ul>  |
| <p><b>Accessories</b></p> | <p><b>Fixing</b></p>         | <ul style="list-style-type: none"> <li>■ Adaptor bar ..... Page 53</li> <li>■ Assembly plate ..... Page 42</li> <li>■ RK SyncFlex..... Page 43</li> <li>■ Foot..... Page 44</li> </ul> |

# Multilift – Technical data

## General information/operating conditions

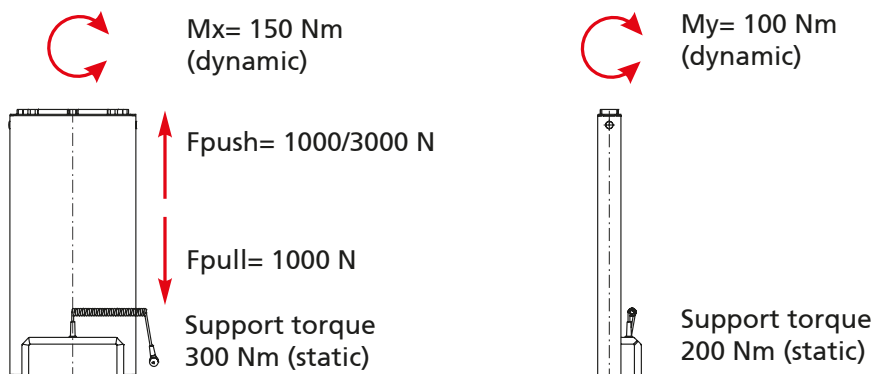
| Type                                      | Multilift  | Custom  |
|---|--|---------|
| Design                                    | Slim lifting column  |         |
| Guide                                     | POM slide bearings   |         |
| Installation position                     | Any position / suspended with drop protection provided by the customer |         |
| Push force*                               | 3000 N or 1000 N   |         |
| Pull force*                               | 1000 N (only in conjunction with factory-mounted base plate)           |         |
| Self-locking                              | Yes  |         |
| Max. travel speed                         | 6 mm/s or 13 mm/s  |         |
| Max. stroke                               | 498 mm   | 1200 mm |
| Installation dimension                    | Stroke + 206 mm (incl. base plate)                                     | 1600 mm |
| Voltage                                   | 24 V DC  |         |
| Current output                            | 3 A or 4 A   |         |
| Protection class                          | IP 20 (in connection with the assembly plate)                          |         |
| Ambient temperature                       | +5°C to +40°C  |         |
| Displacement during synchronous operation | 0 to 4 mm  |         |
| Duty cycle                                | At nominal load, 10% (max. 2 mins operating time, 18 mins rest time)   |         |

### \*Note:

All information refers to the standard sizes. All data of push/pull forces are referring to the individual lifting column, for combined applications a safety factor of up to 0,6 has to be considered.

In medical applications, the maximum pull force of 500 N and, in the case of the version with a travel speed of 8 mm/s, the maximum push force of 2000 N must not be exceeded.

## Load data



| Drive     | Push force [N] | Travel speed [mm/s] | Number of assigned motor channels |   |             |             |
|-----------|----------------|---------------------|-----------------------------------|---|-------------|-------------|
|           |                |                     | 1                                 | 2 | 3           | 4           |
| Multilift | 1000           | 13                  | ✓                                 | ✓ | ✓           | je 750 N    |
| Multilift | 3000           | 6                   | ✓                                 | ✓ | each 2200 N | each 1500 N |

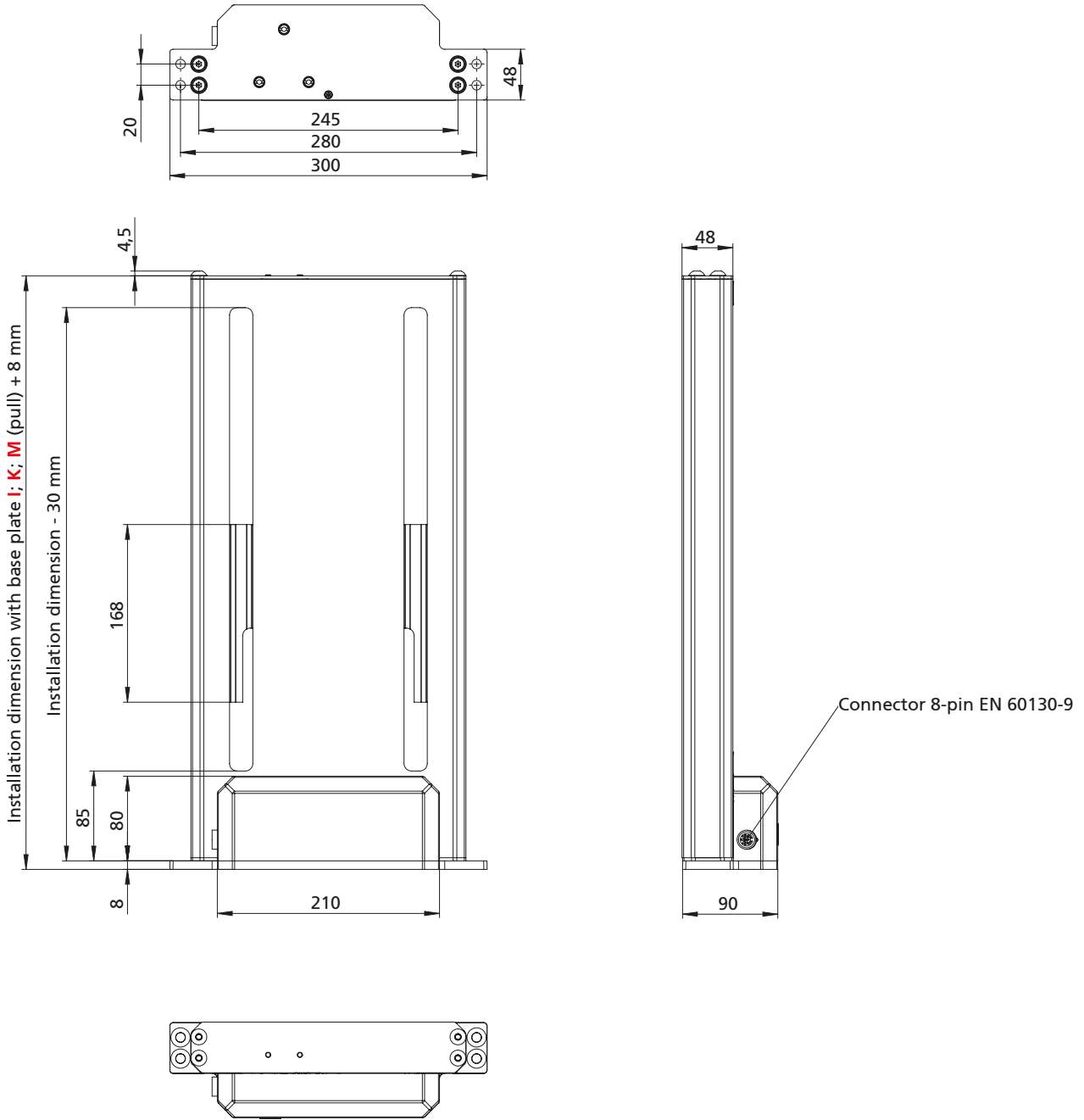


### Note:

If more than 2 drives are to be operated synchronously at nominal load, BUS communication between two or more MultiControl II duo controllers is required.

The necessary accessories can be found on page 146.

The procedure for setting up BUS communication is described in detail in the operating manual.



# Multilift - Versions

## Multilift

The Multilift is used for continuously variable height adjustment of tables, assembly workstations and equipment etc. The lifting column can be operated individually or in synchronously as a pair. With lifting forces of up to 3000 N and a maximum stroke of 498 mm in the standard range, this lifting column is suitable for a wide range of applications. A version of the Multilift with milled slots in the inner profile is also available. They can be used, for instance, for connecting accessories and for stabilising table attachments.



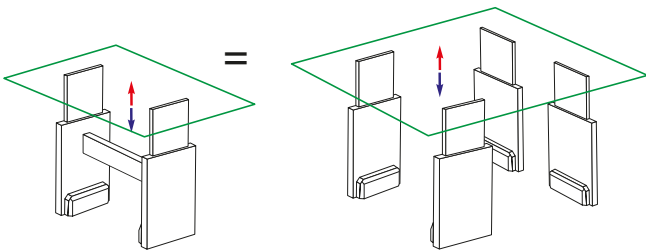
### Special features:

- High-performance DC motor
- Integrated limit switches
- Self-locking, even under max. load
- Special stroke lengths available on request

### Ideal areas of application:

- ✓ Workplace ergonomics
- ✓ Industrial technology
- ✓ Media technology

## Multilift Synchro



2-4 Multilifts in synchronous operation

## Synchronous operation

Synchronous operation of two or more columns. In conjunction with the integrated sensors, the control (see page 130) ensures synchronisation, and thus constant alignment of all the columns in both directions of travel, even if subject to different loads. The synchronous operation tolerance depends on the lifting speed and is max 2 mm on the 6 mm/s version and max 4 mm on the 13 mm/s version. A memory function is also available.



Universal Table Ironing Machine

Multilift Synchro



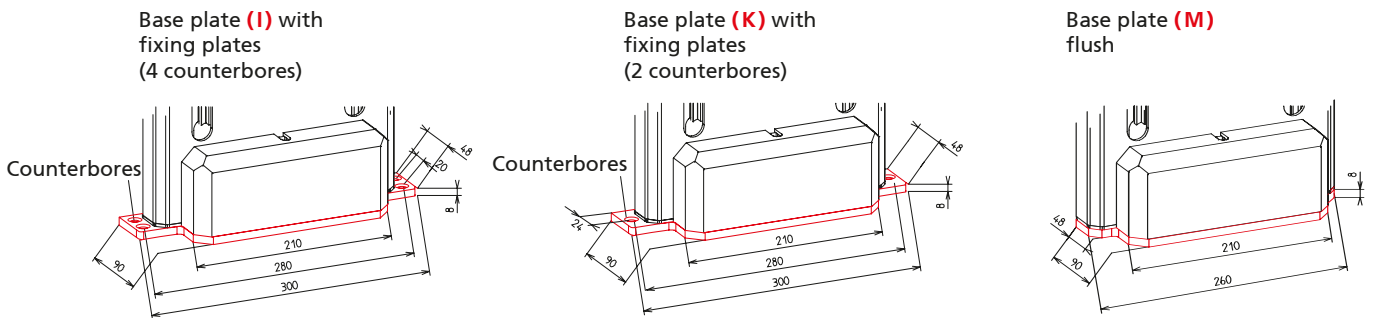
**Note:**  
A separate adapter cable is required to use the Multilift on the MultiControl II.  
This can be found on 137

| Code No.      | Type            | max. push force [N] | max. pull force [N] | max. lifting speed [mm/s] | Total travel [mm] | Installation dimension incl. base plate [mm] | Weight [kg] |
|---------------|-----------------|---------------------|---------------------|---------------------------|-------------------|--|-------------|
| QAB13_G0_0355 | Multilift 350   | 3000 / 2000 (med.)  | 1000 / 500 (med.)   | 6                         | 355               | 558  | 10.1        |
| QAB13_G0_0400 | Multilift 400   |                     |                     |                           | 400               | 603  | 11.0        |
| QAB13_G0_0450 | Multilift 450   |                     |                     |                           | 452               | 658  | 11.8        |
| QAB13_G0_0500 | Multilift 500   |                     |                     |                           | 498               | 703  | 12.5        |
| QAB26_G0_0355 | Multilift 350 s | 1000 / 1000 (med.)  | 1000 / 500 (med.)   | 13                        | 355               | 558  | 10.1        |
| QAB26_G0_0400 | Multilift 400 s |                     |                     |                           | 400               | 603  | 11.0        |
| QAB26_G0_0450 | Multilift 450 s |                     |                     |                           | 452               | 658  | 11.8        |
| QAB26_G0_0500 | Multilift 500 s |                     |                     |                           | 498               | 703  | 12.5        |

**Version:**  
3 = B (with milled slot in the external profile)  
4 = A (without milled slot in the external profile)

**Base plate (For dimensions, see below):**  
**I** = with external fixing plates  
 4 counterbores  
**K** = with external fixing plates  
 2 counterbores  
**M** = base plate flush

Dimension base plate



System components

| Code No.      | Accessories   |           |
|---------------|---|-----------|
| Controls      |   |           |
| QST10H12AA000 | MultiControl II duo - Basic                                     | Multilift |
| QST10H14AA000 | MultiControl II quadro - Basic                                  |           |
| Hand switches |   |           |
| QZB11G07AV041 | Hand switch with 6 function keys and display – 1 m cable length |           |
| QZB11G07AB041 | Hand switch with 2 function keys – 1 m cable length             |           |
| QZD000074     | Hand switch drawer for hand switch with 6 and 2 function keys   |           |
| IEC connector |   |           |
| QZD070618     | IEC cable (Europe version, earthed plug)                        |           |

| Code No.  | Length [mm] | Adapter cable   |
|-----------|-------------|---|
| QZD020722 | 200         | Adapter cable Multilift I on MultiControl II 0,2 m    |
| QZD020711 | 2500        | Connecting cable Multilift I on MultiControl II 2,5 m |



**Note:** Further accessories (hand switches, connecting cables etc.) can be found in the chapter „Controls and accessories“ starting on page 126



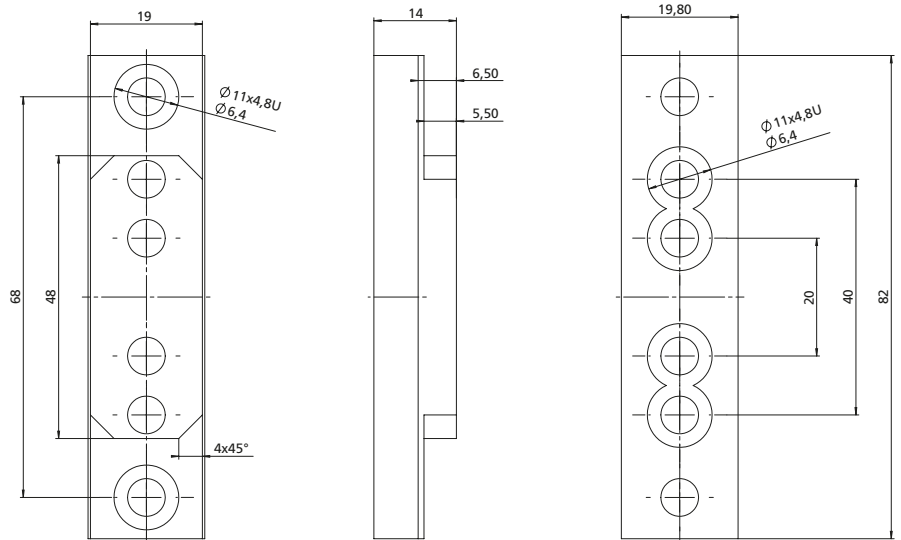
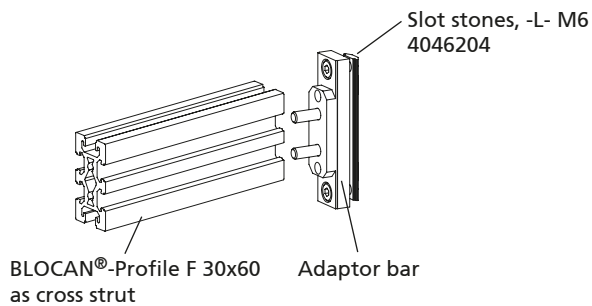
# Multilift – Accessories

## Adaptor bar

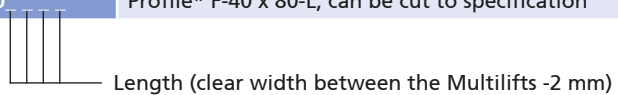
■ Cross struts from the BLOCAN® Profile Assembly System are used to increase the stability of two version B Multilifts (see page 34). The adaptor bar is suitable for F profile 40 x 80 L and F 30x60.

**Material:** AlMgSi 0.5  
Fixing set, zinc plated

**Scope of delivery:**  
2x adaptor bars, fixing set



| Code No.  | Version   |
|-----------|---|
| QZD020020 | Adaptor bar for BLOCAN® profiles                  |
| 4285000   | Profile* F-40 x 80-L, can be cut to specification |



\* For dimensions of the profiles, please refer to the catalogue BLOCAN PROFILE TECHNOLOGY



# Multilift – Fixing

## Multilift assembly plates / compression plate

**Material:** Die-cast, black powder-coated zinc plated fixing set

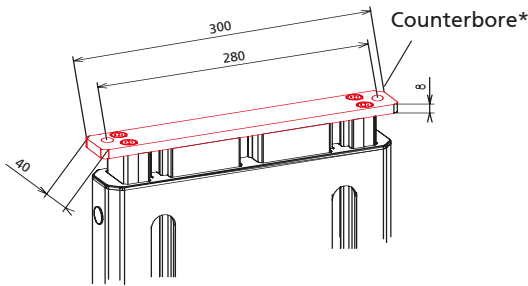
**Scope of delivery:** 1x assembly or thrust compression plate fixing set

**Note:**

The “top” assembly plates listed here and the thrust compression plate are only suitable for push loads.

For applications involving pull force and in synchronised groups, a base plate – factory-mounted on the Multilift – must be used.

You will find further information in the operating manual



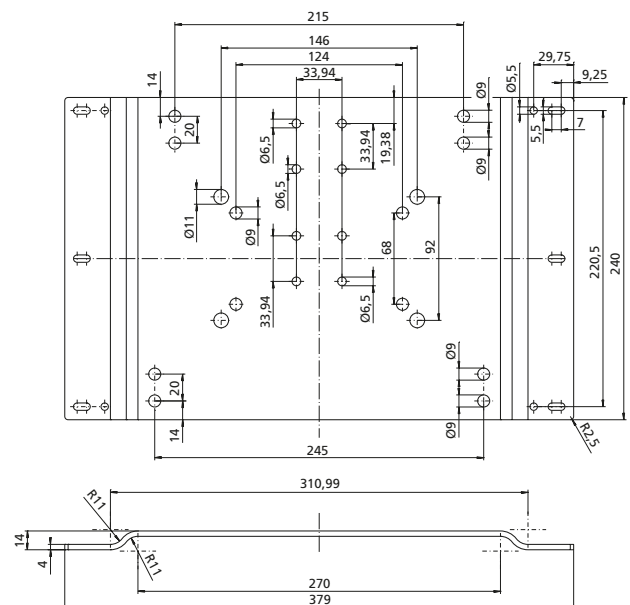
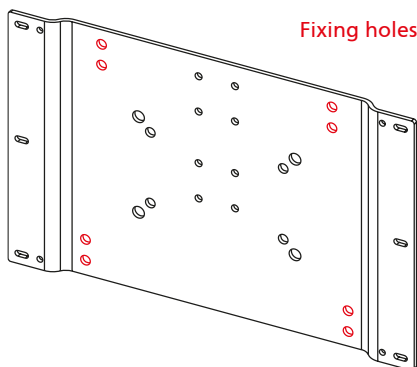
Top assembly plate \*DIN 74 - F8

| Code No.  | Version            | Multilift        |                  |
|-----------|--------------------|------------------|------------------|
|           |                    | Internal profile | External profile |
| QZD020549 | Top assembly plate | ●                |                  |

## Fixing plate

■ This universal plate can be bolted directly into the screw channel of the lifting column using a fixing set. The numerous pre-drilled holes in the metal make it easy to attach table tops, brackets, etc.

**Material:** steel, black powder-coated (RAL 9005), zinc plated fastenings



| Code No.  | Version                          | Multilift        |                  |
|-----------|----------------------------------|------------------|------------------|
|           |                                  | Internal profile | External profile |
| QZD100313 | Fixing plate                     | ●                |                  |
| QZD120336 | Fixing set, 4x M6 x 14, DIN 7984 |                  |                  |

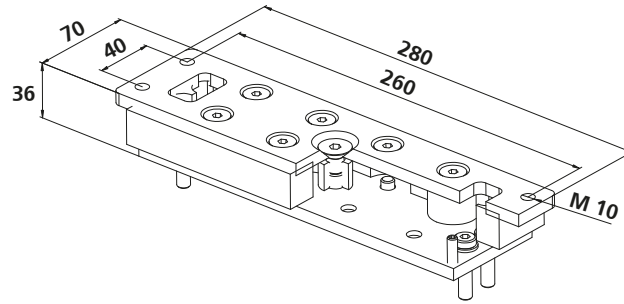
**Multilift – Fixing**
**RK SyncFlex H**

**Scope of delivery:**  
Adjuster plate, incl. fixing material

**Horizontal alignment**

- To prevent locked-up stress in mechanically overdefined bearing systems (more than one fixed bearing) around the horizontal axis. With RK SyncFlex H defined loose bearings supplement the application.

- The horizontal compensation in the Z-axis enables the freedom of movement required when moving the lifting columns.



[mm]

| Code No.  | Type      | Max. load | Multilift        |                  |
|-----------|-----------|-----------|------------------|------------------|
|           |           |           | Internal profile | External profile |
| QZD020471 | Multilift | 3000 N    | ●                |                  |

**RK SyncFlex V**

**Scope of delivery:**  
Adjuster plate, incl. fixing material

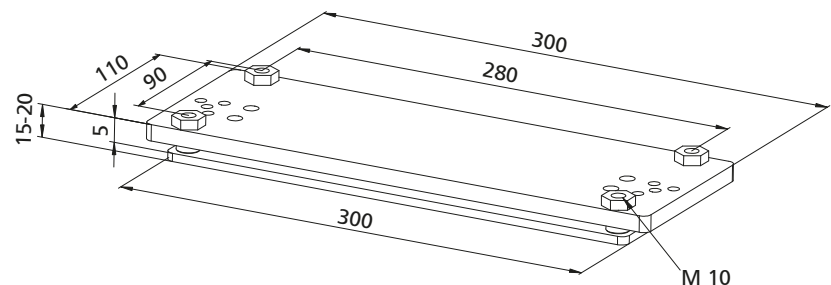
**Option:**  
Optionally available with or without pressure plate (see table)

**Vertical alignment**

- If the lifting columns are not parallel, the distance between the two upper fixing points will change during the movement. However, a rigid connection keeps this distance constant, and this means that the lifting columns are subject to very strong forces.

RK SyncFlex V enables the compensation of unevenness in the mounting environment.

- The lifting columns can be aligned via the vertical adjustment around the X-Y axes.



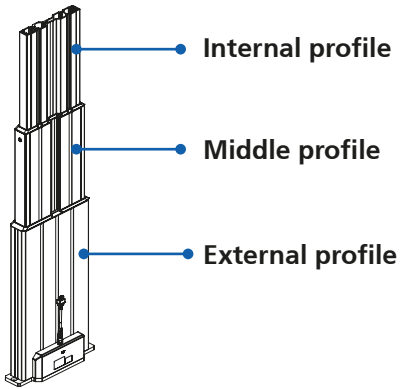
[mm]

| Code No.               | Type      | Max. load | Multilift        |                  |
|------------------------|-----------|-----------|------------------|------------------|
|                        |           |           | Internal profile | External profile |
| Without pressure plate |           |           |                  |                  |
| QZD020472              | Multilift | 3000 N    | ●*               | ●                |
| With pressure plate    |           |           |                  |                  |
| QZD020462              | Multilift | 3000 N    |                  |                  |

●\* = in connection with the assembly plate (page 42)

# Multilift – Accessories

## Foot



- Different foot versions for the Multilift
- No modifications to the Multilift required

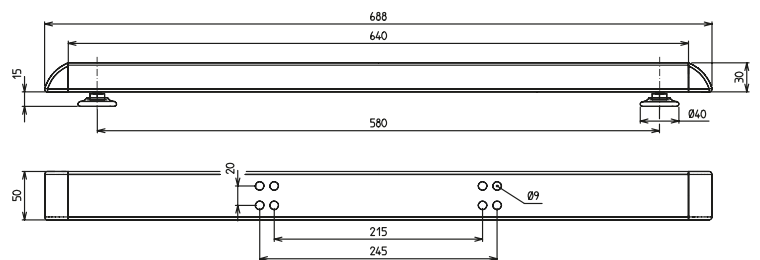
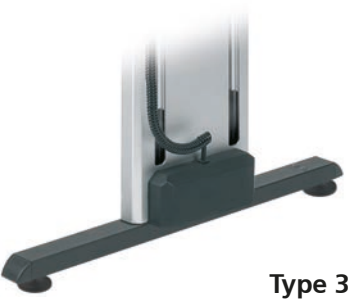
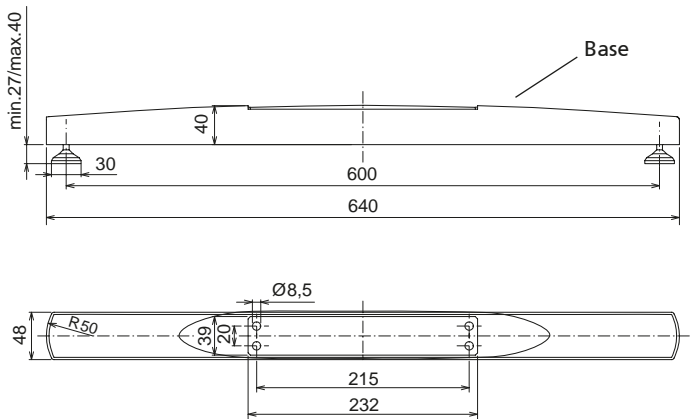
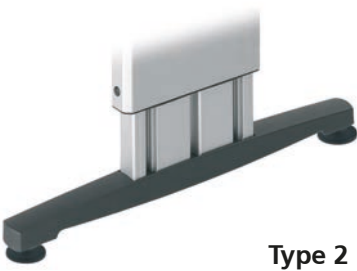
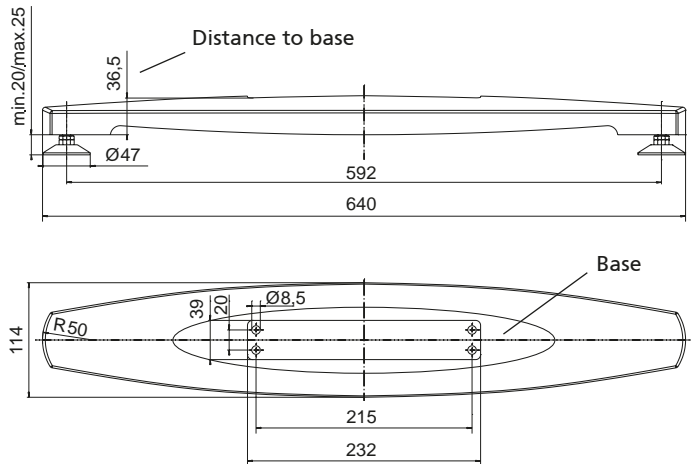
### Material:

Type 1/2/5 GK-ALSi12/3.2583.02, black powder-coating

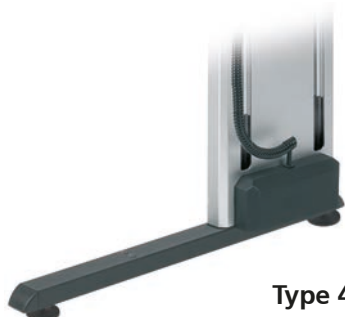
Type 3/4 steel tube, ends capped black powder-coating

### Scope of delivery:

one foot with fixing set

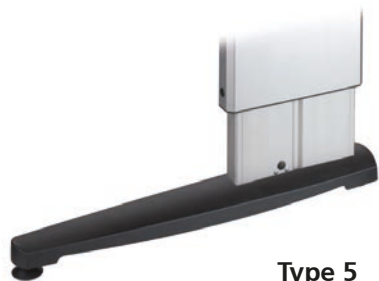
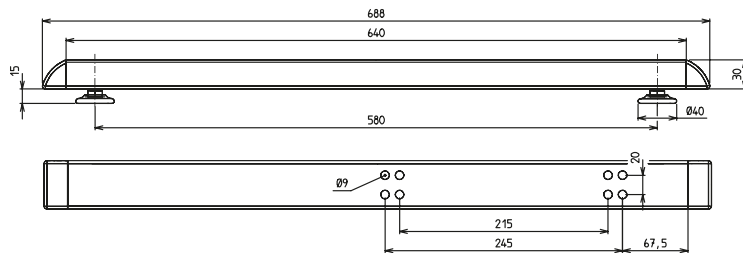


Multilift centrally mounted  
(choice of internal or external profile)

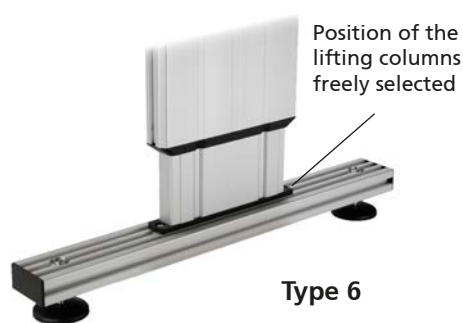
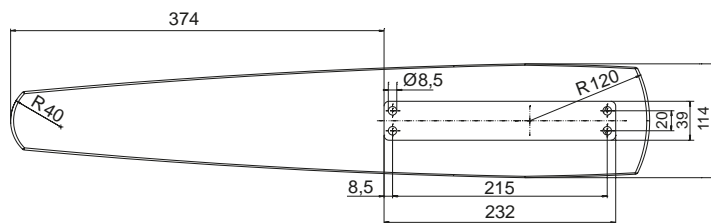
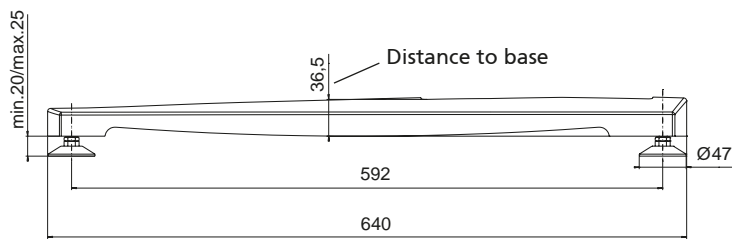


**Type 4**

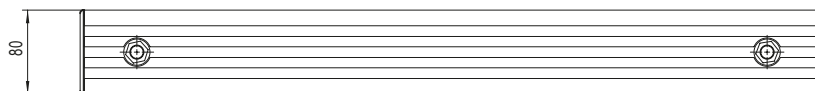
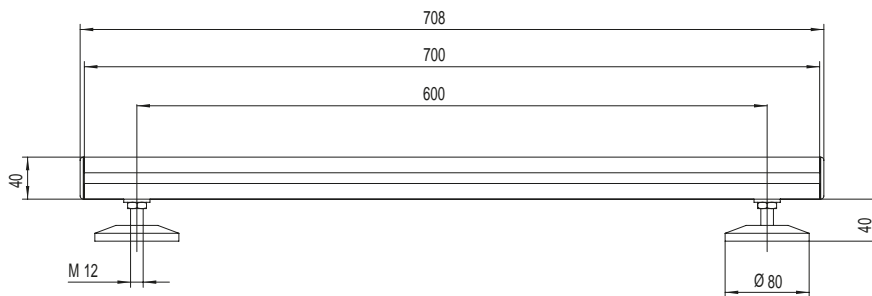
Multilift mounted off-centre  
(choice of internal or external profile)



**Type 5**



**Type 6**

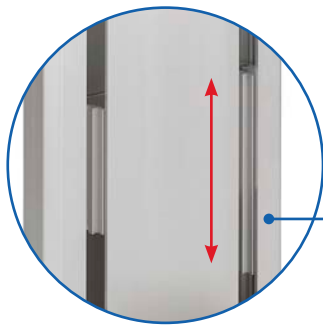


| Code No.  | Type | max. load | Multilift        |                  |
|-----------|------|-----------|------------------|------------------|
|           |      |           | Internal profile | External profile |
| QZD020252 | 1    | 1000 N    | ●                |                  |
| QZD020253 | 2    | 1000 N    | ●                |                  |
| QZD020254 | 3    | 1000 N    | ●                | ●                |
| QZD020255 | 4    | 1000 N    | ●                | ●                |
| QZD020343 | 5    | 1000 N    | ●                |                  |
| QZD020256 | 6    | 3000 N    | ●                | ●                |

# Multilift – with internal carriage



Slimline design and an unbeatable price/performance ratio



### Longitudinal slots

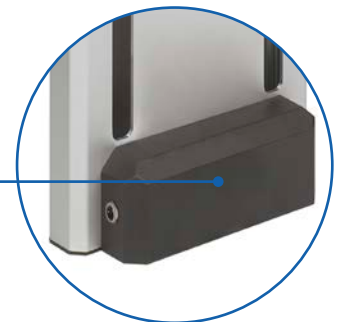
✓ Simple connection



### Milled slot in the external profile (version B)

✓ This enables the bracing of two parallel Multilifts

with interior carriage



### High-performance DC motor

### Highlights / Features:

- Quadruple bearings with POM slide bearing shells
- High-performance DC motor
- Integrated limit switches
- Self-locking, even under max. load

### Options:

- Special stroke lengths
- Quadro control enables control of up to 32 columns synchron
- Tested to EN 60601-1 (3E)

**Multilift - Table of contents**

|                           |                              |  |
|---------------------------|------------------------------|--|
| <p><b>Versions</b></p>    | <p><b>Lifting column</b></p> | <ul style="list-style-type: none"> <li>■ Multilift with internal carriage<br/>Synchro ..... Page 48</li> </ul> |
| <p><b>Accessories</b></p> | <p><b>Fixing</b></p>         | <ul style="list-style-type: none"> <li>■ Foot..... Page 52</li> </ul>  |



# Multilift – Technical data – internal carriage

## General information/operating conditions

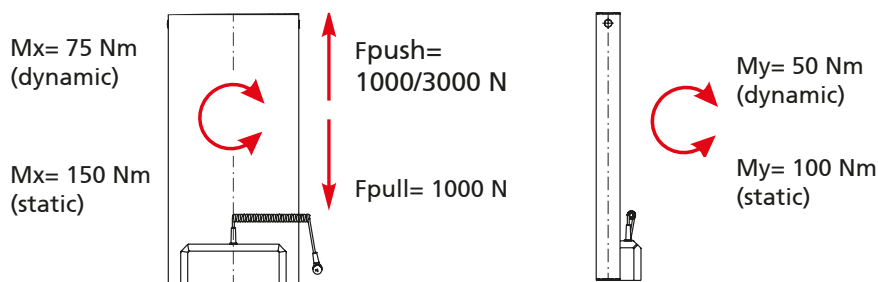
| Type                                      | Multilift with internal carriage                                       | Custom  |
|---|--|---------|
| Design                                    | Slim lifting column with internal carriage                             |         |
| Guide                                     | POM slide bearings   |         |
| Installation position                     | Any position / suspended with drop protection provided by the customer |         |
| Push force*                               | 3000 N or 1000 N   |         |
| Pull force*                               | 1000 N (only in conjunction with factory-mounted base plate)           |         |
| Self-locking                              | Yes  |         |
| Max. travel speed                         | 6 mm/s or 13 mm/s  |         |
| Max. stroke                               | 498 mm   | 1200 mm |
| Installation dimension                    | Stroke + 210,5 mm (incl. base plate)                                   | 1600 mm |
| Voltage                                   | 24 V DC  |         |
| Current output                            | 3 A or 4 A   |         |
| Protection class                          | IP 10  |         |
| Ambient temperature                       | +5°C to +40°C  |         |
| Displacement during synchronous operation | 0 to 4 mm  |         |
| Duty cycle                                | At nominal load, 10% (max. 2 mins operating time, 18 mins rest time)   |         |

### \*Note:

All information refers to the standard sizes. All data of push/pull forces are referring to the individual lifting column, for combined applications a safety factor of up to 0,6 has to be considered.

In medical applications, the maximum pull force of 500 N and, in the case of the version with a travel speed of 8 mm/s, the maximum push force of 2000 N must not be exceeded.

## Load data with internal carriage



| Drive                            | Push force [N] | Travel speed [mm/s] | Number of assigned motor channels |   |             |             |
|----------------------------------|----------------|---------------------|-----------------------------------|---|-------------|-------------|
|                                  |                |                     | 1                                 | 2 | 3           | 4           |
| Multilift with internal carriage | 1000           | 13                  | ✓                                 | ✓ | ✓           | each 750 N  |
| Multilift with internal carriage | 3000           | 6                   | ✓                                 | ✓ | each 2200 N | each 1500 N |

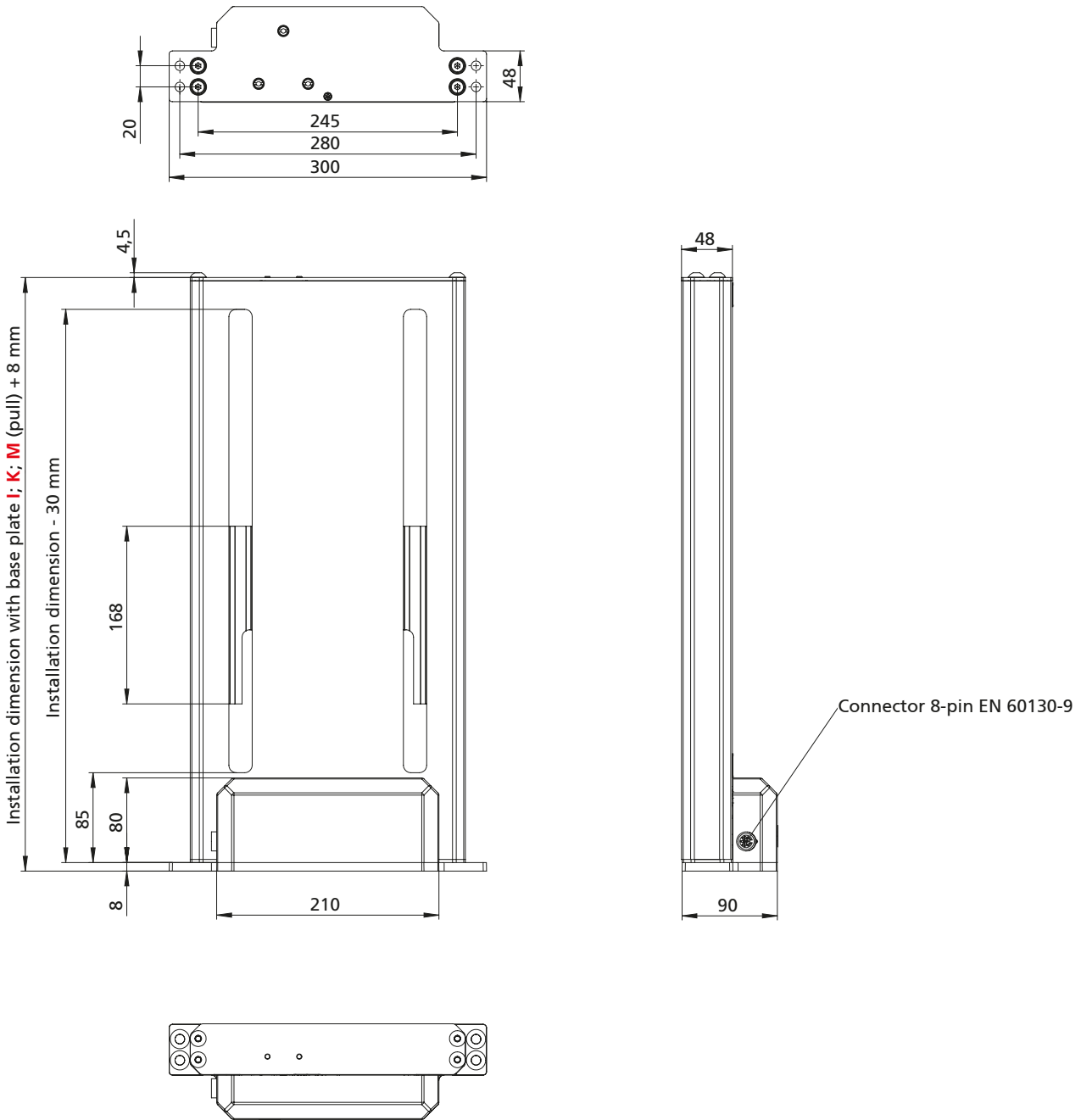
### Note:

If more than 2 drives are to be operated synchronously at nominal load, BUS communication between two or more MultiControl II duo controllers is required.

The necessary accessories can be found on page 146

The procedure for setting up BUS communication is described in detail in the operating manual.





# Multilift - Versions

## Multilift with internal carriage

The Multilift with internal carriage is used for continuously variable adjustment of equipment, operating units and screens etc. Unlike the Multilift, no inner profile is extended from the lifting column but rather a carriage moves in the base body of the lifting column. Any type of equipment can be connected and positioned using the slots in the carriage. The lifting column can be operated individually or in parallel as a pair. With lifting forces of up to 3000 N and an installation dimension of 500 mm in the standard range, this lifting column is suitable for a wide range of applications. Special lengths are also available on request.



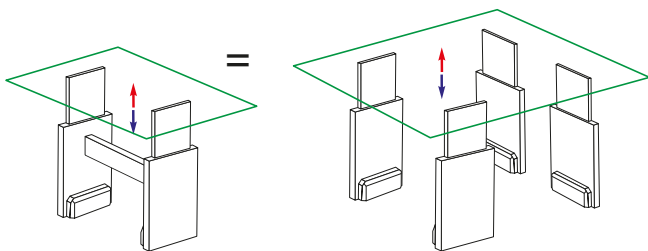
### Special features:

- High-performance DC motor
- Integrated limit switches
- Self-locking, even under max. load
- Special stroke lengths available on request

### Ideal areas of application:

- ✓ Workplace ergonomics
- ✓ Industrial technology
- ✓ Media technology

## Multilift Synchro



2-4 Multilifts in synchronous operation

## Synchronous operation

Synchronous operation of two or more columns. In conjunction with the integrated sensors, the control (see page 130) ensures synchronisation, and thus constant alignment of all the columns in both directions of travel, even if subject to different loads. The synchronous operation tolerance depends on the lifting speed and is max 2 mm on the 6 mm/s version and max 4 mm on the 13 mm/s version. A memory function is also available.



Universal Table Ironing Machine



## Multilift Synchro



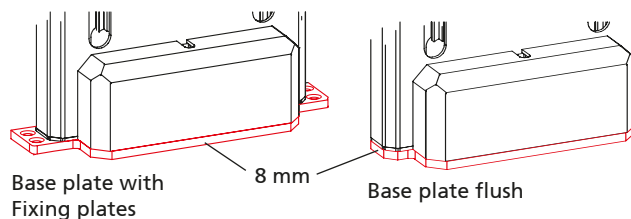
### Note:

A separate adapter cable is required to use the Multilift on the MultiControl II. This can be found on 137.

| Code No.      | Type            | max. push force [N] | max. pull force [N] | max. lifting speed [mm/s] | Total travel [mm] | Installation dimension incl. base plate [mm] | Weight [kg] |
|---------------|-----------------|---------------------|---------------------|---------------------------|-------------------|--|-------------|
| QAB13_G080355 | Multilift 350   | 3000 / 2000 (med.)  | 1,000 / 500 (med.)  | 6                         | 355               | 565.5  | 6.4         |
| QAB13_G080400 | Multilift 400   |                     |                     |                           | 400               | 610.5  | 6.7         |
| QAB13_G080450 | Multilift 450   |                     |                     |                           | 452               | 665.5  | 7.1         |
| QAB13_G080500 | Multilift 500   |                     |                     |                           | 498               | 710.5  | 7.4         |
| QAB26_G080355 | Multilift 350 s | 1000 / 1000 (med.)  | 1,000 / 500 (med.)  | 13                        | 355               | 565.5  | 6.4         |
| QAB26_G080400 | Multilift 400 s |                     |                     |                           | 400               | 610.5  | 6.7         |
| QAB26_G080450 | Multilift 450 s |                     |                     |                           | 452               | 665.5  | 7.1         |
| QAB26_G080500 | Multilift 500 s |                     |                     |                           | 498               | 710.5  | 7.4         |

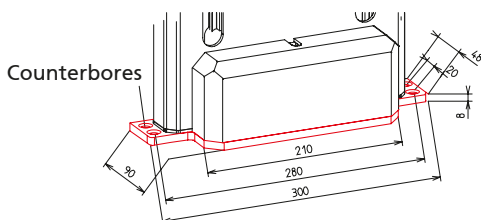
### Base plate (For dimensions, see below):

- I = with external fixing plates
- 4 counterbores
- M = base plate flush

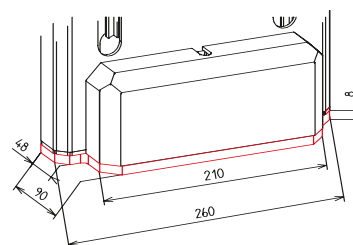


## Dimension base plate

Base plate (I) with fixing plates (4 counterbores)



Base plate (M) flush



## System components

| Code No.      | Accessories   |           |
|---------------|---|-----------|
| Controls      |   |           |
| QST10H12AA000 | MultiControl II duo - Basic                                     | Multilift |
| QST10H14AA000 | MultiControl II quadro - Basic                                  |           |
| Hand switches |   |           |
| QZB11G07AV041 | Hand switch with 6 function keys and display – 1 m cable length |           |
| QZB11G07AB041 | Hand switch with 2 function keys – 1 m cable length             |           |
| QZD000074     | Hand switch drawer for hand switch with 6 and 2 function keys   |           |
| IEC connector |   |           |
| QZD070618     | IEC cable (Europe version, earthed plug)                        |           |

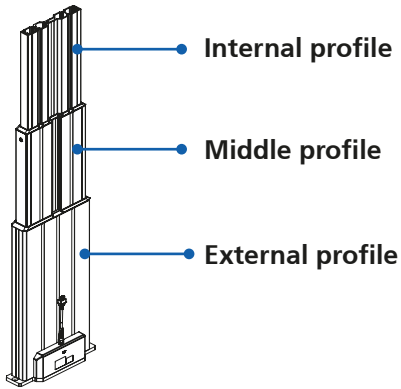
| Code No.  | Length [mm] | Adapter cable   |
|-----------|-------------|---|
| QZD020722 | 200         | Adapter cable Multilift I on MultiControl II 0,2 m    |
| QZD020711 | 2500        | Connecting cable Multilift I on MultiControl II 2,5 m |



Note: Further accessories (hand switches, connecting cables etc.) can be found in the chapter „Controls and accessories“ starting on page 126

# Multilift – Accessories

## Foot

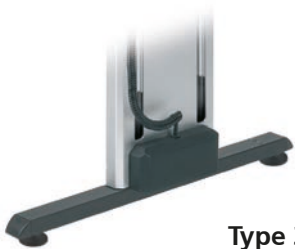


- Different foot versions for the Multilift
- No modifications to the Multilift required
- Max. load 1000 N

### Material:

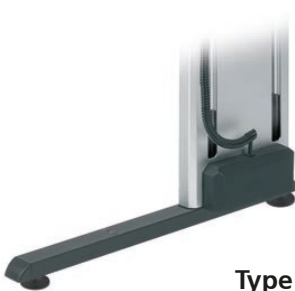
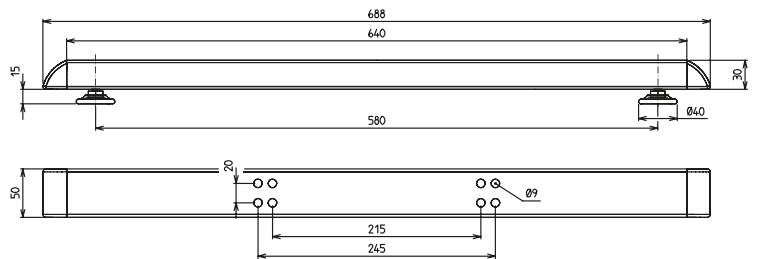
Type 1/2/5 GK-ALSi12/3.2583.02, black powder-coating  
 Type 3/4 steel tube, ends capped black powder-coating

**Scope of delivery:**  
 one foot with fixing set



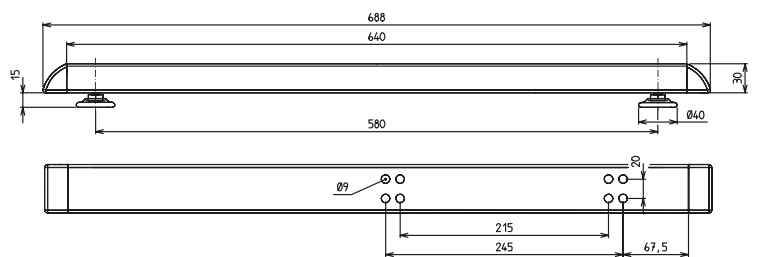
**Type 3**

Multilift centrally mounted  
 (choice of internal or external profile)



**Type 4**

Multilift mounted off-centre  
 (choice of internal or external profile)

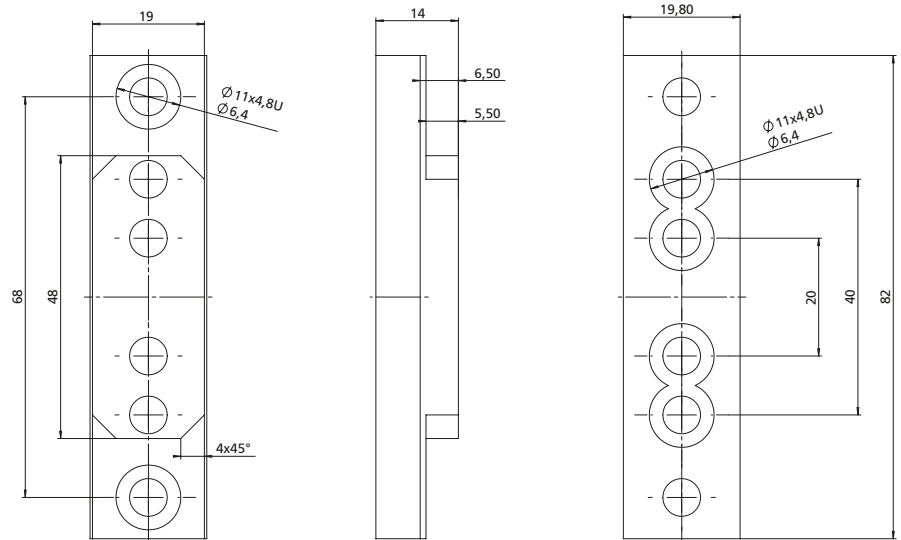
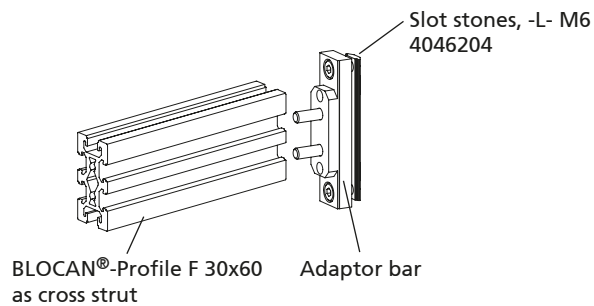


| Code No.  | Type | Max. load | Multilift        |                  |
|-----------|------|-----------|------------------|------------------|
|           |      |           | Internal profile | External profile |
| QZD020254 | 3    | 1000 N    | ●                | ●                |
| QZD020255 | 4    | 1000 N    | ●                | ●                |

## Adaptor bar

- Cross struts from the BLOCAN<sup>®</sup> Profile Assembly System are used to increase the stability of two version B Multilifts (see page 34). The adaptor bar is suitable for F profile 40 x 80 L and F 30x60.

**Material:** AlMgSi 0.5  
 Fixing set, zinc plated  
**Scope of delivery:**  
 2x adaptor bars, fixing set



| Code No.  | Version   |
|-----------|---|
| QZD020020 | Adaptor bar for BLOCAN <sup>®</sup> profiles      |
| 4285000   | Profile* F-40 x 80-L, can be cut to specification |

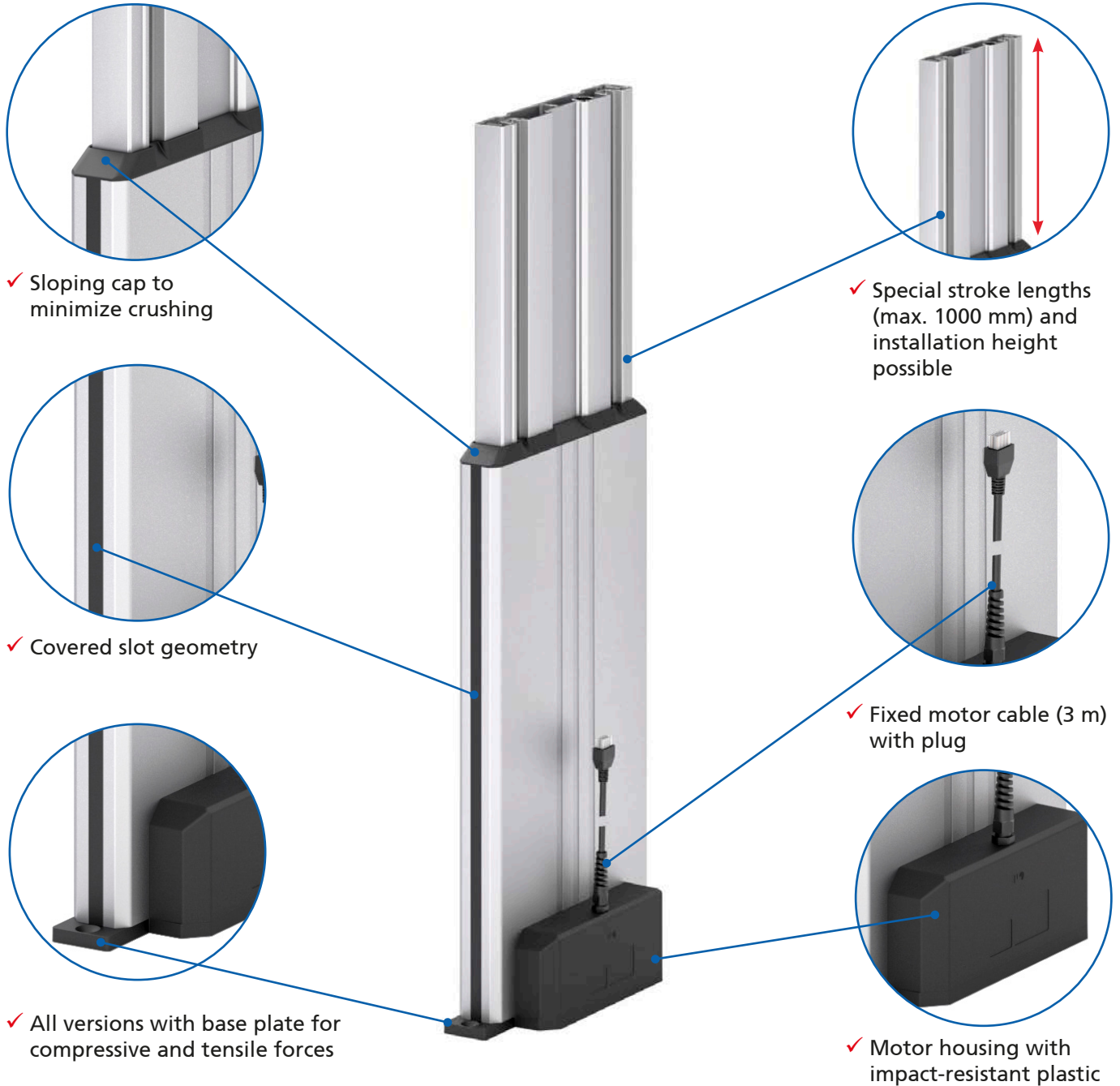


Length (clear width between the Multilifts -2 mm)

\* For dimensions of the profiles, please refer to the catalogue BLOCAN PROFILE TECHNOLOGY



## Slimline design makes for great versatility



### Highlights / Features:

- Integrated limit switches
- Self-locking, even at max. load
- Lateral fixing slot in external profile
- Position feedback by hall sensor

### Options:

- Special stroke lengths and installation height available on request
- With synchronous control:
  - Cascading of several columns
- Customised solutions on request
- Testet to:
  - IEC 60601-1:2005
  - IEC 60601-1:2005/AMD1:2012
- With milled slot on request

## Multilift II – Table of contents

|                           |  |
|---------------------------|--|
| <p><b>Versions</b></p>    | <p><b>Lifting columns</b></p> <ul style="list-style-type: none"> <li>■ Multilift II ..... Page 58</li> <li>■ Multilift II ESD ..... Page 60</li> <li>■ Multilift II impact ..... Page 62</li> <li>■ Multilift II safety..... Page 64</li> <li>■ Multilift II clean..... Page 66</li> </ul> |
| <p><b>Accessories</b></p> | <p><b>Fixing</b></p> <ul style="list-style-type: none"> <li>■ RK SyncFlex..... Page 68</li> <li>■ Assembly plates..... Page 69</li> <li>■ Support struts..... Page 69</li> <li>■ Foot versions ..... Page 70</li> </ul>  |



# Multilift II – Technical data

## General information/operating conditions

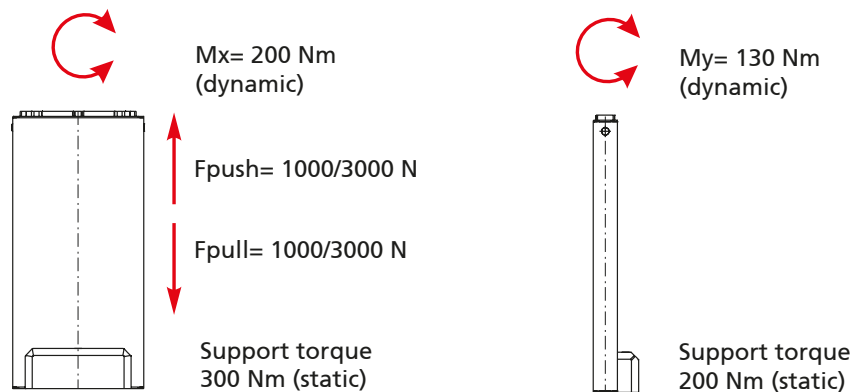
| Type                                      | Multilift II  | Multilift II ESD | Multilift II clean | Multilift II impact | Multilift II safety                | Custom  |
|---|---|------------------|--------------------|---------------------|------------------------------------|---------|
| Design                                    | Slim lifting column   |                  |                    |                     |                                    |         |
| Guide                                     | POM slide bearings  |                  |                    |                     |                                    |         |
| Installation position                     | Any position / hanging only with drop protection provided by the customer |                  |                    |                     | hanging                            |         |
| Push force                                | 3000 N or 1000 N  |                  |                    | 3000 N              | –                                  |         |
| Pull force                                | 3000 N or 1000 N  |                  |                    | 3000 N              | 600 N                              |         |
| Self-locking                              | Yes   |                  |                    |                     |                                    |         |
| Max. travel speed                         | 8 mm/s or 16 mm/s   |                  |                    | 8 mm/s              | 16 mm/s                            |         |
| Max. Stroke                               | 500 mm  |                  |                    |                     |                                    | 1000 mm |
| Installation dimension                    | Stroke + 203 mm   |                  |                    | Stroke + 212 mm     | Stroke + 203 mm                    |         |
| Voltage                                   | 28 V DC   |                  |                    |                     |                                    |         |
| Current output                            | 4 A   |                  |                    |                     |                                    |         |
| Protection class                          | IP 20 (in connection with the assembly plate)                             |                  |                    |                     |                                    |         |
| Ambient temperature                       | +5°C to +40°C   |                  |                    |                     |                                    |         |
| Displacement during synchronous operation | 0 to 2 mm   |                  |                    |                     | Synchronous operation not possible |         |
| Duty cycle (Operation mode S3)            | At nominal load, 10% (2 min operating time, 18 mins rest time)            |                  |                    |                     |                                    |         |

### Note:

All information refers to the standard sizes. All data of push/pull forces are referring to the individual lifting column, for combined applications a safety factor of up to 0,6 has to be considered.

In medical applications, the maximum pull force of 500 N and, in the case of the version with a travel speed of 8 mm/s, the maximum push force of 2500 N must not be exceeded.

## Load data Multilift II



| Drive               | Push force [N] | Travel speed [mm/s] | Number of assigned motor channels |   |             |             |
|---------------------|----------------|---------------------|-----------------------------------|---|-------------|-------------|
|                     |                |                     | 1                                 | 2 | 3           | 4           |
| Multilift II        | 1000           | 16                  | ✓                                 | ✓ | ✓           | each 750 N  |
| Multilift II        | 3000           | 8                   | ✓                                 | ✓ | each 2200 N | each 1500 N |
| Multilift II safety | 600            | 16                  | ✓                                 | – | –           | –           |

### Note:

If more than 2 drives are to be operated synchronously at nominal load, BUS communication between two or more MultiControl II duo controllers is required.

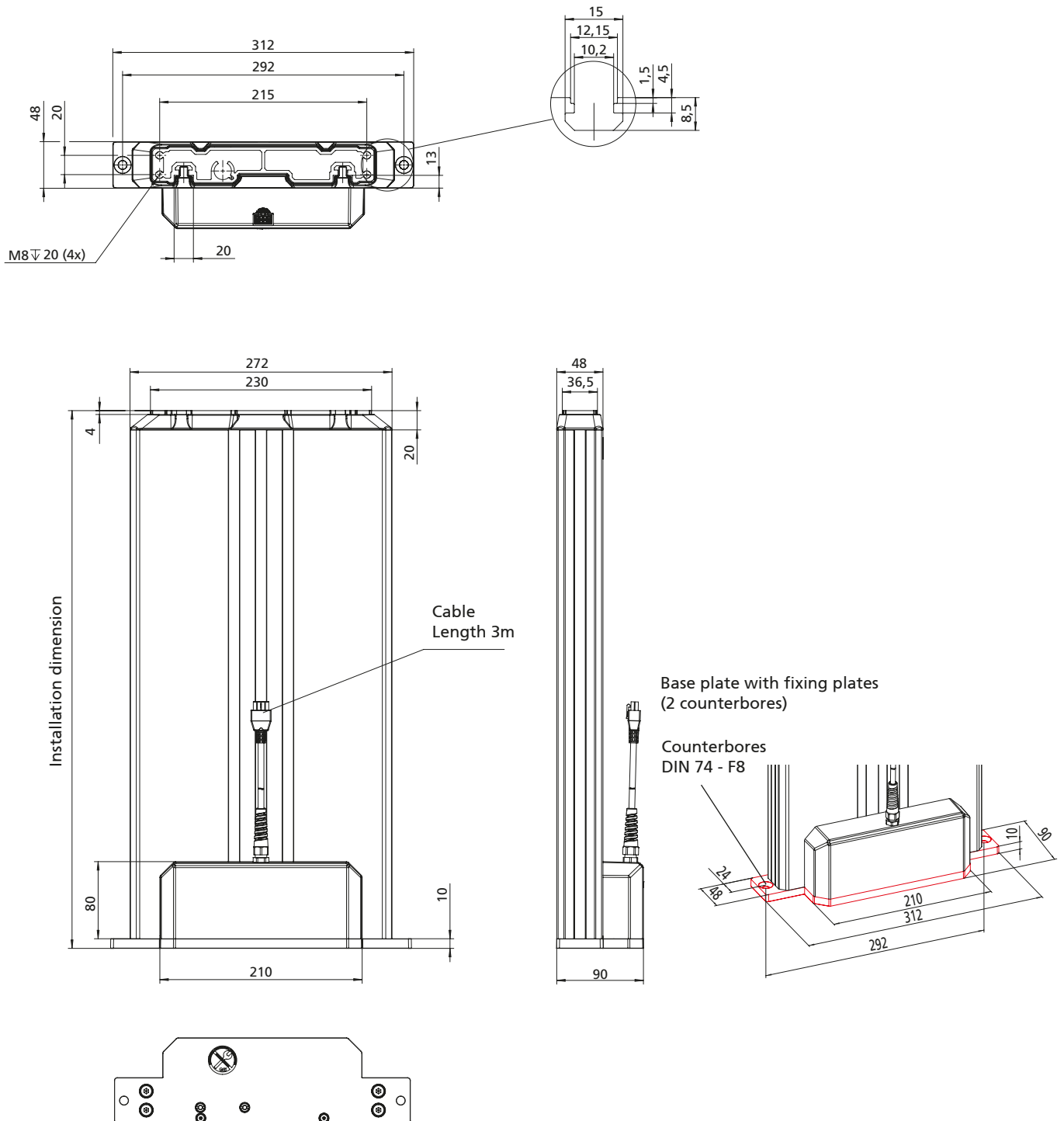
The necessary accessories can be found on page 146

The procedure for setting up BUS communication is described in detail in the operating manual.





### Multilift II



The fixing slots on the side allow an easy attachment of accessories. For example, a screen, CPU bracket or system reinforcements can be fixed to the lifting columns by using slot stones. The 30 slot geometry is also compatible with the RK BLOCAN® aluminium profile system.

# Multilift II – Versions

## Multilift II – maximum versatility

Customer feedback formed the basis for a number of improvements to the design of the Multilift II. Our latest new feature is an assembly slot on both sides of the external profile of the electric lifting column, which is compatible with the RK Rose+Krieger aluminium profile system and can take corresponding slot stones. They allow additional attachments such as reinforcements, screening and so on to be mounted without any problems.



### Special features:

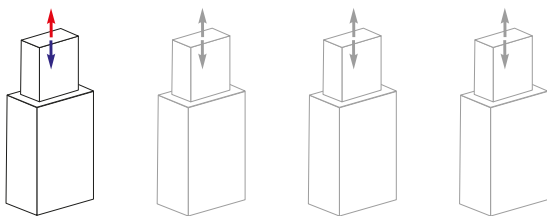
- Lateral fixing slots
- Captive plug connections
- Suitable for both tensile and compressive loads

### Ideal area of application:

- ✓ Workplace ergonomics
- ✓ Industrial technology
- ✓ Media technology

### Lifting column and control as individual components:

Multilift II can be used exclusively in combination with MultiControl II duo (see page 130) and MultiControl II quadro (see page 138).

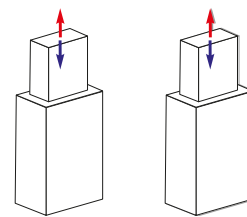


### Features:

- Supports configuration of systems with up to 32 drives
- Wide-range input
- High duty cycle
- Simple connection to master control system
- Intuitive operation

### Lifting column and control as pre-assembled set:

Multilift II can be used exclusively in combination with Compact-e-3-EU (see page 158)



### Features:

- Exclusively for a 2-column table system
- System is factory-initialised (Plug & Play)

**Individual components:**  
 Lifting column Multilift II


| Code No.          | Type         | max. push force [N] | max. pull force [N] | max. lifting speed [mm/s] | Total travel [mm] | Installation dimension [mm] | Weight [kg] |
|-------------------|--------------|---------------------|---------------------|---------------------------|-------------------|-----------------------------|-------------|
| TM22B1C3C22CA0355 | Multilift II | 3000 / 2500 (med.)  | 3000 / 500 (med.)   | 8                         | 355               | 558                         | 10.5        |
| TM22B1C3C22CA0400 |              |                     |                     |                           | 400               | 603                         | 11.5        |
| TM22B1C3C22CA0450 |              |                     |                     |                           | 452               | 658                         | 12.0        |
| TM22B1C3C22CA0500 |              |                     |                     |                           | 497               | 703                         | 13.0        |
| TM22B1C2C22CA0355 | Multilift II | 1000 / 1000 (med.)  | 1000 / 500 (med.)   | 16                        | 355               | 558                         | 10.5        |
| TM22B1C2C22CA0400 |              |                     |                     |                           | 400               | 603                         | 11.5        |
| TM22B1C2C22CA0450 |              |                     |                     |                           | 452               | 658                         | 12.0        |
| TM22B1C2C22CA0500 |              |                     |                     |                           | 497               | 703                         | 13.0        |

**System components**

| Code No.             | Accessories   |              |
|----------------------|---|--------------|
| <b>Controls</b>      |   |              |
| QST11H12AA000        | MultiControl II duo - Basic                                     | Multilift II |
| QST11H12AA022        | MultiControl II duo - Premium                                   |              |
| QST11H14AA000        | MultiControl II quadro - Basic                                  | Multilift II |
| QST11H14AA022        | MultiControl II quadro - Premium                                |              |
| <b>Hand switches</b> |   |              |
| QZB11G07AV041        | Hand switch with 6 function keys and display – 1 m cable length |              |
| QZB11G07AB041        | Hand switch with 2 function keys – 1 m cable length             |              |
| QZD000074            | Hand switch drawer for hand switch with 6 and 2 function keys   |              |
| <b>IEC connector</b> |   |              |
| QZD070618            | IEC cable (Europe version, earthed plug)                        |              |

**Note:** Further accessories (hand switches, connecting cables etc.) can be found in the chapter „Controls and accessories“ starting on page 126

**Set:**

Multilift II in combination with Compact-e-3-EU control

**Scope of delivery:**

 2 Multilifts II, 1 Controller box  
 Compact-e-3-EU, 4 Cover profiles,  
 4 Slot stones

**Order instruction:**

Please select mains cable and hand switch separately (see page 158)

| Code No.          | Type                     | max. push force [N] | max. pull force [N] | max. lifting speed [mm/s] | Total travel [mm] | Installation dimension [mm] | Weight [kg] |
|-------------------|--------------------------|---------------------|---------------------|---------------------------|-------------------|-----------------------------|-------------|
| TS22B1C3C22CA0355 | Multilift II Set 230V AC | 3000                | 3000                | 8                         | 355               | 558                         | 21.5        |
| TS22B1C3C22CA0400 |                          |                     |                     |                           | 400               | 603                         | 23.5        |
| TS22B1C3C22CA0450 |                          |                     |                     |                           | 452               | 658                         | 24.5        |
| TS22B1C3C22CA0500 |                          |                     |                     |                           | 497               | 703                         | 26.5        |
| TS22B1C2C22CA0355 | Multilift II Set 230V AC | 1000                | 1000                | 16                        | 355               | 558                         | 21.5        |
| TS22B1C2C22CA0400 |                          |                     |                     |                           | 400               | 603                         | 23.5        |
| TS22B1C2C22CA0450 |                          |                     |                     |                           | 452               | 658                         | 24.5        |
| TS22B1C2C22CA0500 |                          |                     |                     |                           | 497               | 703                         | 26.5        |

**Note:** The load value information is referring to the individual lifting column. For combined applications a safety factor of up to 0,6 has to be considered.

# Multilift II ESD – Versions

## Multilift II ESD – discharging voltages via the lifting column

In the electronics and semiconductor manufacturing industry, electrostatic discharges can impair the function of components being assembled, or even destroy them. With the Multilift II ESD, RK Rose+Krieger has developed a patented electric height adjustment system that is able to dissipate voltages.



### Special feature:

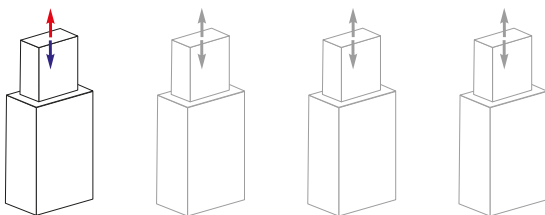
- Outer and inner profile electrically connected to each other

### Ideal area of application:

- ✓ Assembly workstations for the manufacture of electronic components

## Lifting column and control as individual components:

Multilift II ESD can be used exclusively in combination with MultiControl II duo (see page 130) and MultiControl II quadro (see page 138).



### Features:

- Supports configuration of systems with up to 32 drives
- Wide-range input
- High duty cycle
- Simple connection to master control system
- Intuitive operation

**Individual components:**  
 Lifting column Multilift II ESD


| Code No.          | Type             | max. push force [N] | max. pull force [N] | max. lifting speed [mm/s] | Total travel [mm] | Installation dimension [mm] | Weight [kg] |
|-------------------|------------------|---------------------|---------------------|---------------------------|-------------------|-----------------------------|-------------|
| TM22B1C3C22CC0355 | Multilift II ESD | 3000 / 2500 (med.)  | 3000 / 500 (med.)   | 8                         | 355               | 558                         | 10.5        |
| TM22B1C3C22CC0400 |                  |                     |                     |                           | 400               | 603                         | 11.5        |
| TM22B1C3C22CC0450 |                  |                     |                     |                           | 452               | 658                         | 12.0        |
| TM22B1C3C22CC0500 |                  |                     |                     |                           | 497               | 703                         | 13.0        |
| TM22B1C2C22CC0355 | Multilift II ESD | 1000 / 1000 (med.)  | 1000 / 500 (med.)   | 16                        | 355               | 558                         | 10.5        |
| TM22B1C2C22CC0400 |                  |                     |                     |                           | 400               | 603                         | 11.5        |
| TM22B1C2C22CC0450 |                  |                     |                     |                           | 452               | 658                         | 12.0        |
| TM22B1C2C22CC0500 |                  |                     |                     |                           | 497               | 703                         | 13.0        |

**System components**

| Code No.             | Accessories   |                  |
|----------------------|---|------------------|
| <b>Controls</b>      |   |                  |
| QST11H12AA000        | MultiControl II duo - Basic                                     | Multilift II ESD |
| QST11H12AA022        | MultiControl II duo - Premium                                   |                  |
| QST11H14AA000        | MultiControl II quadro - Basic                                  | Multilift II ESD |
| QST11H14AA022        | MultiControl II quadro - Premium                                |                  |
| <b>Hand switches</b> |   |                  |
| QZB11G07AV041        | Hand switch with 6 function keys and display – 1 m cable length |                  |
| QZB11G07AB041        | Hand switch with 2 function keys – 1 m cable length             |                  |
| QZD000074            | Hand switch drawer for hand switch with 6 and 2 function keys   |                  |
| <b>IEC connector</b> |   |                  |
| QZD070618            | IEC cable (Europe version, earthed plug)                        |                  |

**Note:**

Further accessories (hand switches, connecting cables etc.) can be found in the chapter „Controls and accessories“ starting on page 126

# Multilift II impact – Versions

## Multilift II impact – integrated damping absorbs high impact forces

The slim electric height adjustment system has an integrated damping system that is able to absorb high impact forces, such as those that occur when unloading a workpiece.



### Special feature:

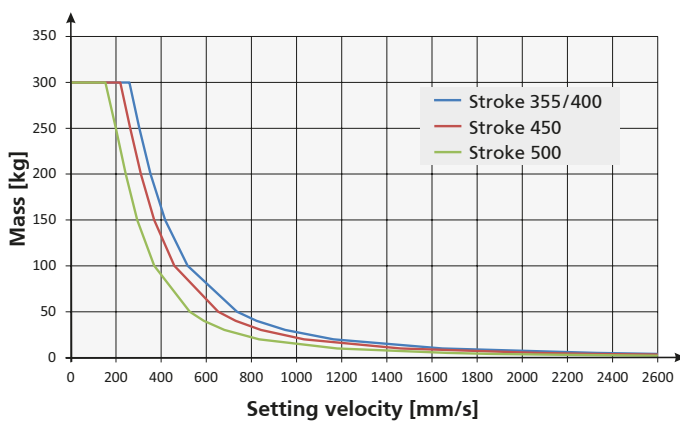
- Allows impact forces due to an internal damping system

### Ideal area of application:

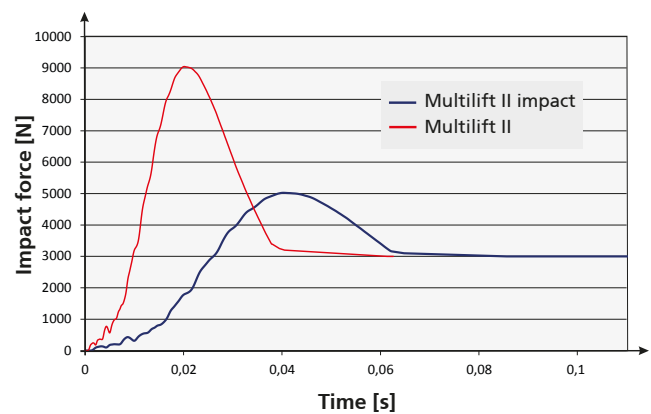
- ✓ Workplace ergonomics
- ✓ Industrial technology

## Performance diagram Multilift II impact

Possible setting velocity in relation to the weight of the workpiece in consideration of the different stroke lengths



Exemplary force progression at an impact of a workpiece with  $v = 260$  [mm/s] and  $m = 300$  [Kg]



**Individual components:**  
 Lifting column Multilift II impact


| Code No.          | Type                | max. push force [N] | max. pull force [N] | max. lifting speed [mm/s] | Total travel [mm] | Installation dimension [mm] | Weight [kg] |
|-------------------|---------------------|---------------------|---------------------|---------------------------|-------------------|-----------------------------|-------------|
| TM22B1C3C22CB0355 | Multilift II impact | 3000 / 2500 (med.)  | 3,000 / 500 (med.)  | 8                         | 355               | 567                         | 10.5        |
| TM22B1C3C22CB0400 |                     |                     |                     |                           | 400               | 612                         | 11.5        |
| TM22B1C3C22CB0450 |                     |                     |                     |                           | 452               | 667                         | 12.0        |
| TM22B1C3C22CB0500 |                     |                     |                     |                           | 497               | 712                         | 13.0        |

**System components**

| Code No.             | Accessories   |                     |
|----------------------|---|---------------------|
| <b>Controls</b>      |   |                     |
| QST13H12AA000        | MultiControl II duo - Basic                                     | Multilift II impact |
| QST13H12AA022        | MultiControl II duo - Premium                                   |                     |
| QST13H14AA000        | MultiControl II quadro - Basic                                  | Multilift II impact |
| QST13H14AA022        | MultiControl II quadro - Premium                                |                     |
| <b>Hand switches</b> |   |                     |
| QZB11G07AV041        | Hand switch with 6 function keys and display – 1 m cable length |                     |
| QZB11G07AB041        | Hand switch with 2 function keys – 1 m cable length             |                     |
| QZD000074            | Hand switch drawer for hand switch with 6 and 2 function keys   |                     |
| <b>IEC connector</b> |   |                     |
| QZD070618            | IEC cable (Europe version, earthed plug)                        |                     |

**Note:**

Further accessories (hand switches, connecting cables etc.) can be found in the chapter „Controls and accessories“ starting on page 126



# Multilift II safety – Versions

## Multilift II safety – turning things on their head

RK Rose+Krieger has developed this column specially for overhead applications in media technology. Its uses include the correct positioning of projectors and monitors, whereby the lifting column is mounted upside down on the ceiling.



### Special feature:

- Integrated fall protection

### Ideal area of application:

- ✓ Media technology

The Multilift II safety is only designed for centric load. 

In cases of eccentric load  
please contact RK Rose+Krieger.

<https://www.rk-rose-krieger.com/english/contact/>

## Individual components:

### Lifting column Multilift II safety

| Code No.          | Type                | max. push force [N] | max. pull force [N] | max. lifting speed [mm/s] | Total travel [mm] | Installation dimension [mm] | Weight [kg] |
|-------------------|---------------------|---------------------|---------------------|---------------------------|-------------------|-----------------------------|-------------|
| TM22B1C2C22CD0355 | Multilift II safety | –                   | 600                 | 16                        | 355               | 558                         | 11.5        |
| TM22B1C2C22CD0400 |                     |                     |                     |                           | 400               | 603                         | 12.0        |
| TM22B1C2C22CD0450 |                     |                     |                     |                           | 452               | 658                         | 13.0        |
| TM22B1C2C22CD0500 |                     |                     |                     |                           | 497               | 703                         | 13.5        |

**Note:** The Multilift II safety is not designed for synchronous applications. This drive must only be used in stand-alone applications.

## System components

| Code No.      | Accessories   |                     |
|---------------|---|---------------------|
|               | Controls  |                     |
| QST11H12AA000 | MultiControl II duo - Basic                                     | Multilift II safety |
| QST11H12AA022 | MultiControl II duo - Premium                                   |                     |
|               | Hand switches   |                     |
| QZB11G07AV041 | Hand switch with 6 function keys and display – 1 m cable length |                     |
| QZB11G07AB041 | Hand switch with 2 function keys – 1 m cable length             |                     |
| QZD000074     | Hand switch drawer for hand switch with 6 and 2 function keys   |                     |
|               | IEC connector   |                     |
| QZD070618     | IEC cable (Europe version, earthed plug)                        |                     |

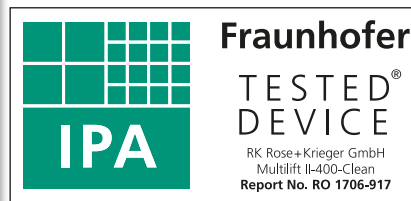
**Note:**

Further accessories (hand switches, connecting cables etc.) can be found in the chapter „Controls and accessories“ starting on page 126

# Multilift II clean – Versions

## Multilift II clean – ideally suited to use in the clean room

The Multilift II clean has now been added to the range. It has been deliberately developed for use in the clean room. A special shroud for the DC motor with brushes of the lifting column means discharge of particles is kept to a minimum. To verify its suitability for use in clean rooms, the Fraunhofer Institute for Manufacturing Engineering and Automation IPA carried out a particle emissions test as per DIN EN ISO 14644-1 and certified the lifting column for use in clean rooms up to a globally valid class 4.



### Special feature:

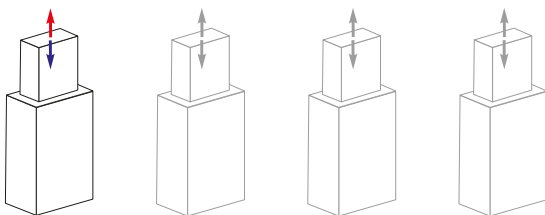
- Suitability according to EN ISO 14644 -1 for clean rooms

### Ideal area of application:

- ✓ Assembly workstations for the use in clean rooms up to class 4

## Lifting column and control as individual components:

Multilift II clean can be used exclusively in combination with MultiControl II duo (see page 130) and MultiControl II quadro (see page 138).



## Features:

- Supports configuration of systems with up to 32 drives
- Wide-range input
- High duty cycle
- Simple connection to master control system
- Intuitive operation

## Individual components:

### Lifting column Multilift II clean

| Code No.          | Type               | max. push force [N] | max. pull force [N] | max. lifting speed [mm/s] | Total travel [mm] | Installation dimension [mm] | Weight [kg] |
|-------------------|--------------------|---------------------|---------------------|---------------------------|-------------------|-----------------------------|-------------|
| TM22B1C3C22CE0355 | Multilift II clean | 3000                | 3000                | 8                         | 355               | 558                         | 10.5        |
| TM22B1C3C22CE0400 |                    |                     |                     |                           | 400               | 603                         | 11.5        |
| TM22B1C3C22CE0450 |                    |                     |                     |                           | 452               | 658                         | 12.0        |
| TM22B1C3C22CE0500 |                    |                     |                     |                           | 497               | 703                         | 13.0        |
| TM22B1C2C22CE0355 | Multilift II clean | 1000                | 1000                | 16                        | 355               | 558                         | 10.5        |
| TM22B1C2C22CE0400 |                    |                     |                     |                           | 400               | 603                         | 11.5        |
| TM22B1C2C22CE0450 |                    |                     |                     |                           | 452               | 658                         | 12.0        |
| TM22B1C2C22CE0500 |                    |                     |                     |                           | 497               | 703                         | 13.0        |

## System components

| Code No.             | Accessories   |                    |
|----------------------|---|--------------------|
| <b>Controls</b>      |   |                    |
| QST11H12AA000        | MultiControl II duo - Basic                                     | Multilift II clean |
| QST11H12AA022        | MultiControl II duo - Premium                                   |                    |
| QST11H14AA000        | MultiControl II quadro - Basic                                  | Multilift II clean |
| QST11H14AA022        | MultiControl II quadro - Premium                                |                    |
| <b>Hand switches</b> |   |                    |
| QZB11G07AV041        | Hand switch with 6 function keys and display – 1 m cable length |                    |
| QZB11G07AB041        | Hand switch with 2 function keys – 1 m cable length             |                    |
| QZD000074            | Hand switch drawer for hand switch with 6 and 2 function keys   |                    |
| <b>IEC connector</b> |   |                    |
| QZD070618            | IEC cable (Europe version, earthed plug)                        |                    |

**Note:**

Further accessories (hand switches, connecting cables etc.) can be found in the chapter „Controls and accessories“ starting on page 126

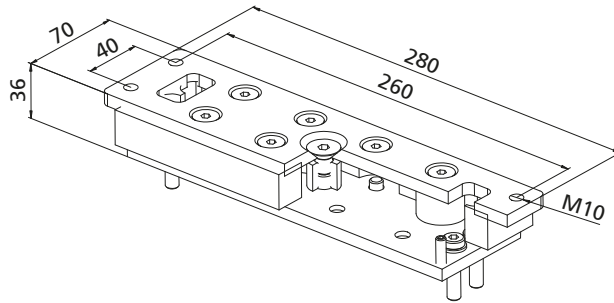
# Multilift II – Accessories

## RK SyncFlex H

**Scope of delivery:**  
Adjuster plate, incl. fixing material

### Horizontal alignment

- To prevent locked-up stress in mechanically overdefined bearing systems (more than one fixed bearing) around the horizontal axis. With RK SyncFlex H, defined floating bearings supplement the application.
- The horizontal compensation in the Z-axis enables the mobility required when moving the lifting columns.



[mm]

| Code No.  | Type                      | Max. load | Multilift II     |                  |
|-----------|---------------------------|-----------|------------------|------------------|
|           |                           |           | Internal profile | External profile |
| QZD020471 | Multilift II product line | 3000 N    | ●                |                  |

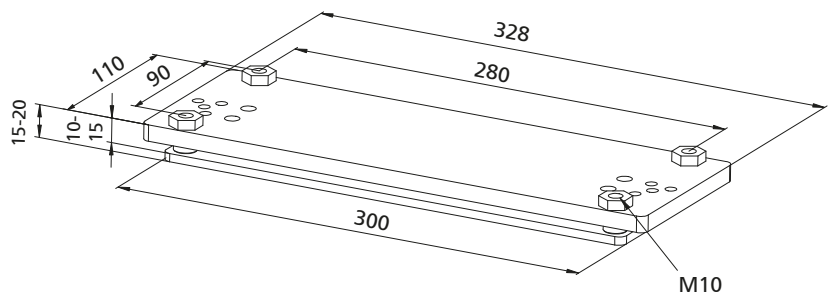
## RK SyncFlex V

**Scope of delivery:**  
Adjuster plate, incl. fixing material

**Option:**  
Pressure plate (see table) can be ordered separately

### Vertical alignment

- If the lifting columns are not parallel, the distance between the two upper fixing points will change during the movement. However, a rigid connection keeps this distance constant, which means that the lifting columns are subject to very strong forces.
- RK SyncFlex V enables the compensation of unevenness in the mounting environment.
- The lifting columns can be aligned via the vertical adjustment around the X-Y axes.



[mm]

| Code No.                      | Type                      | Max. load | Multilift II     |                  |
|-------------------------------|---------------------------|-----------|------------------|------------------|
|                               |                           |           | Internal profile | External profile |
| RK SyncFlex V Adjusting plate |                           |           |                  |                  |
| QZD020620                     | Multilift II product line | 3000 N    | ●*               | ●                |
| Pressure Plate                |                           |           |                  |                  |
| QZD020621                     | Multilift II product line | 3000 N    |                  |                  |

\* = in connection with the assembly plate Type 2 (page 69)

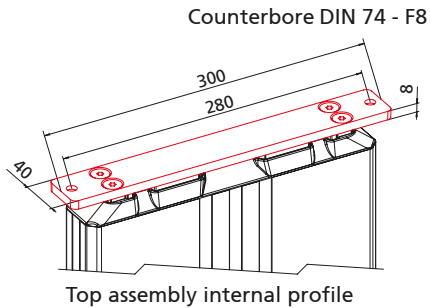
## Assembly plates

- The assembly plates are for easy assembling in customer applications.

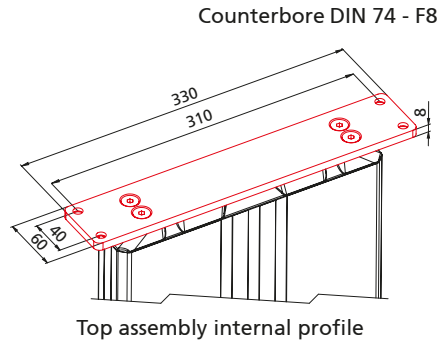
### Material:

Option of black-powdered die cast zinc or black-powdered steel, zinc plated fixing set

### Type 2



### Type 3



### Scope of delivery:

Plate with fixing set

| Code No.  | Type | for drive                              | Material      |
|-----------|------|--|---------------|
| QZD020549 | 2    | Multilift II/ clean                    | Zinc die cast |
| QZD020671 | 2    | Multilift II ESD                       | Zinc die cast |
| QZD020552 | 3    | Multilift II/impact/safety/clean / ESD | Steel         |

## Support struts

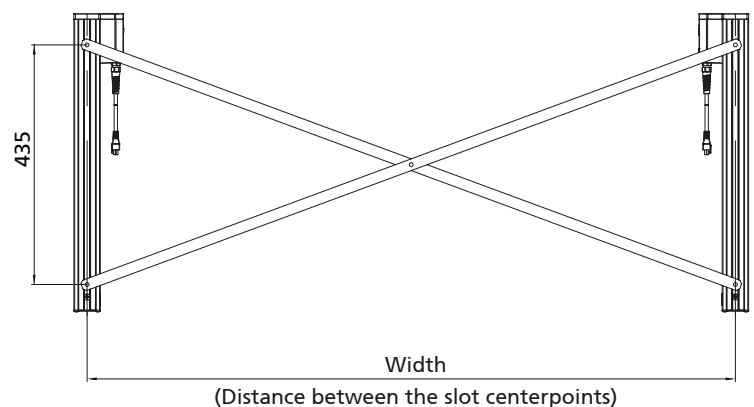
- For stabilisation of column structures.
- Available for all Multilift II / Multilift II telescope variants.

### Material:

Aluminium not anodized

### Scope of delivery:

Two support struts including fastenings



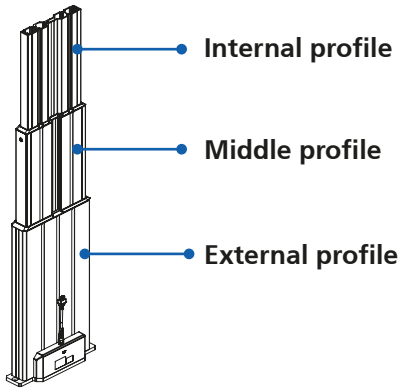
| Code No.  | Type                                     | Width (min.) | Width (max.) | Multilift II     |                  |
|-----------|--|--------------|--------------|------------------|------------------|
|           |  |              |              | Internal profile | External profile |
| QZD020734 | Support struts Multilift II product line | 750 mm       | 2000 mm      |                  | ●                |

Distance between the slot centerpoints [mm]

[mm]

# Multilift II – Accessories

## Foot versions

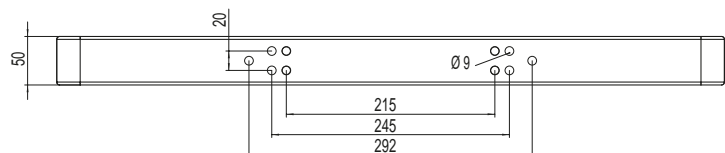
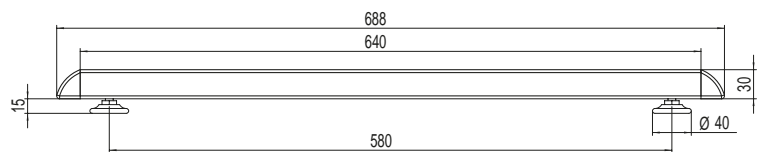
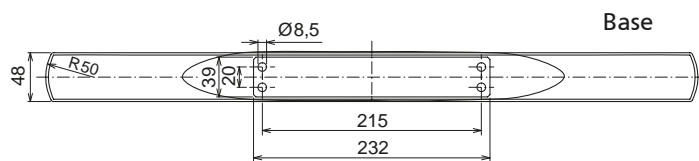
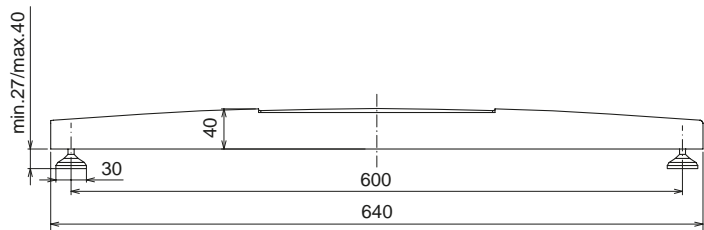
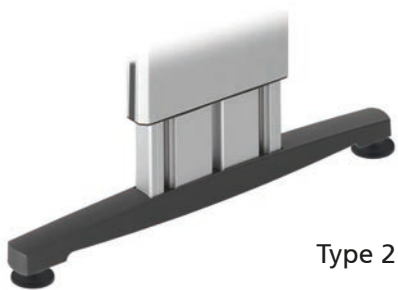
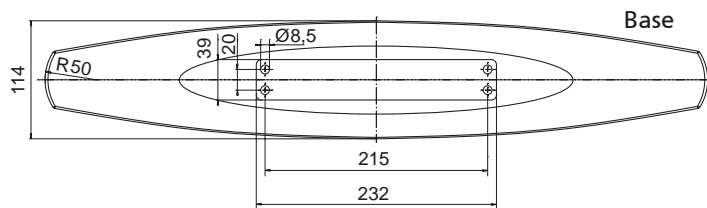
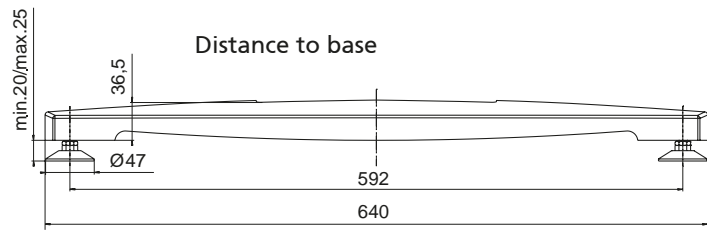


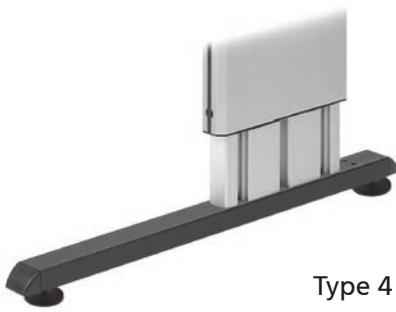
- Different foot versions for the Multilift
- No modifications of the Multilift required

**Material:**  
Type 1/2 GK-ALSi12/3.2583.02,  
black powder-coated

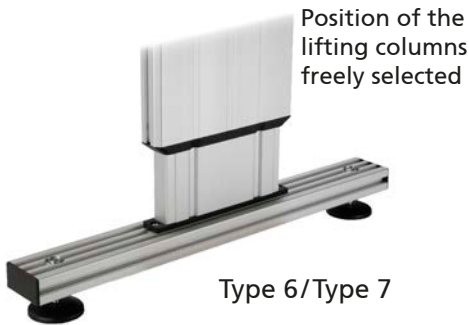
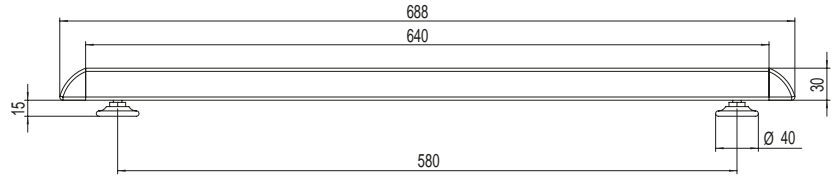
Type 3/4 steel tube, ends capped  
black powder-coated

**Scope of delivery:**  
one foot with fixing set

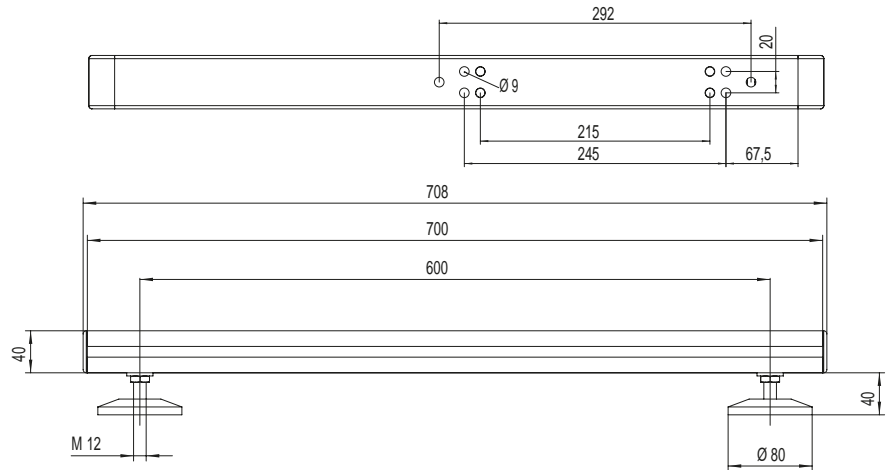




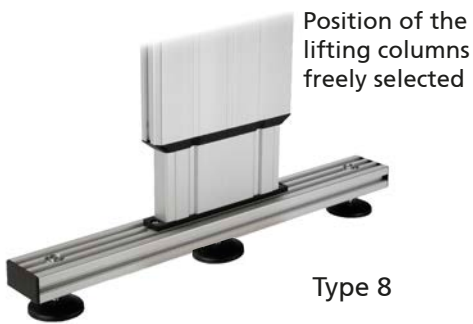
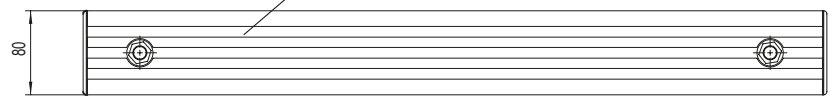
Type 4



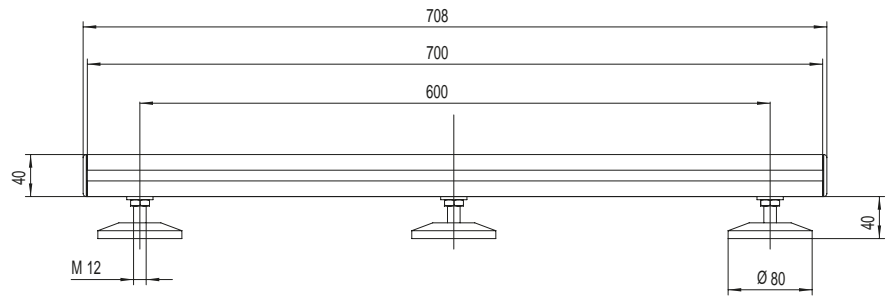
Type 6/Type 7



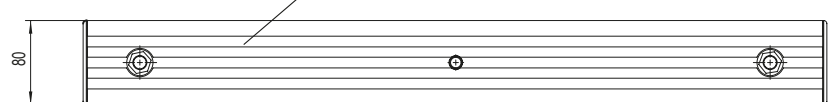
Slot geometry 40



Type 8



Slot geometry 40



**\* Order instruction:**

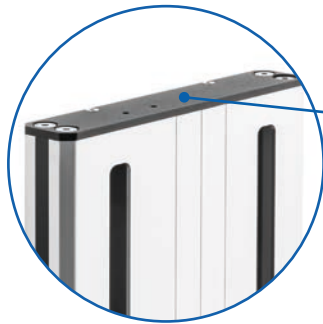
The application example shown – internal profile mounted on Type 6, 7, 8 – is only in combination with an assembly plate possible (see page 69)

| Code No.  | Type | Max. load | Multilift II / Multilift II clean |                  | Multilift II ESD |                  | Multilift II impact |                  |
|-----------|------|-----------|-----------------------------------|------------------|------------------|------------------|---------------------|------------------|
|           |      |           | Internal profile                  | External profile | Internal profile | External profile | Internal profile    | External profile |
| QZD020252 | 1    | 1000 N    | ●                                 |                  |                  |                  |                     |                  |
| QZD020253 | 2    | 1000 N    | ●                                 |                  |                  |                  |                     |                  |
| QZD020254 | 3    | 1000 N    | ●                                 | ●                |                  |                  |                     |                  |
| QZD020255 | 4    | 1000 N    | ●                                 | ●                |                  |                  |                     |                  |
| QZD020256 | 6    | 3000 N    | ●*                                | ●                |                  |                  |                     |                  |
| QZD020257 | 7    | 3000 N    |                                   |                  | ●*               | ●                |                     |                  |
| QZD020258 | 8    | 3000 N    |                                   |                  |                  |                  | ●*                  | ●                |

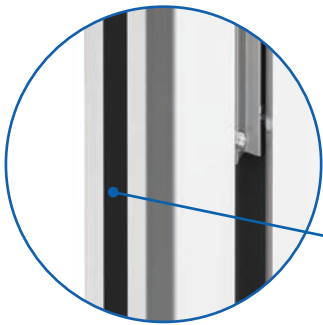


# Multilift II with internal carriage

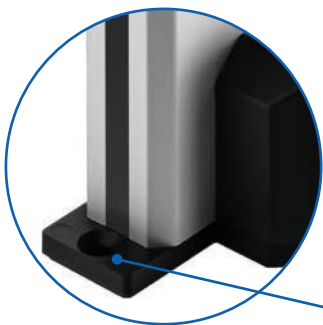
Slimline design makes for great versatility



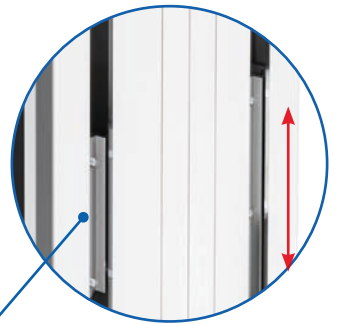
✓ Robust mounting plate



✓ Covered slot geometry



✓ All versions with base plate for compressive and tensile forces



✓ Special stroke lengths (max. 1000 mm) and installation height possible



✓ Fixed motor cable (3 m) with plug



✓ Motor housing with impact-resistant plastic  
✓ Side cable outlet on request

## Highlights / Features:

- Integrated limit switches
- Self-locking, even at max. load
- Lateral fixing slot in external profile
- Position feedback by hall sensor

## Options:

- Special stroke lengths and installation height available on request
- With synchronous control:
  - Cascading of several columns
- Customised solutions on request

## Multilift II – Table of contents

|                           |                               |  |
|---------------------------|-------------------------------|--|
| <p><b>Versions</b></p>    | <p><b>Lifting columns</b></p> | <ul style="list-style-type: none"> <li>■ Multilift II with internal carriage ..... Page 74</li> </ul>  |
| <p><b>Accessories</b></p> | <p><b>Fixing</b></p>          | <ul style="list-style-type: none"> <li>■ RK SyncFlex..... Page 78</li> <li>■ Mounting bracket ..... Page 79</li> <li>■ Support struts..... Page 79</li> <li>■ Foot versions ..... Page 80</li> </ul> |

# Multilift II with internal carriage – Technical data

## General information/operating conditions

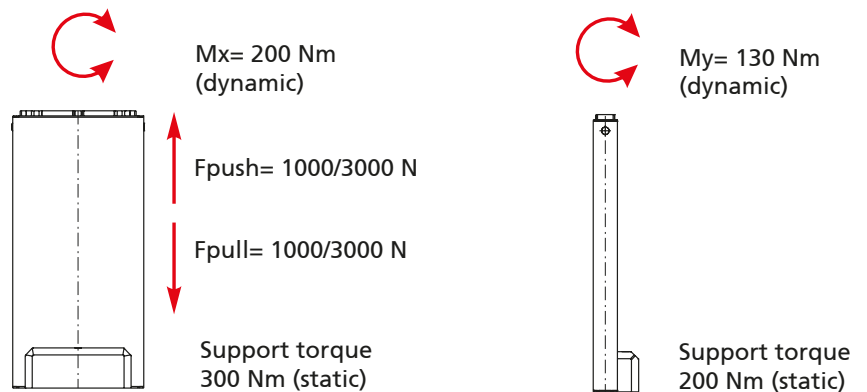
| Type                                      | Multilift II with internal carriage                                       | Custom  |
|---|---|---------|
| Design                                    | Slim lifting column   |         |
| Guide                                     | POM slide bearings  |         |
| Installation position                     | Any position / hanging only with drop protection provided by the customer |         |
| Push force                                | 3000 N or 1000 N  |         |
| Pull force                                | 3000 N or 1000 N  |         |
| Self-locking                              | Yes   |         |
| Max. travel speed                         | 8 mm/s or 16 mm/s   |         |
| Max. Stroke                               | 500 mm  | 1000 mm |
| Installation dimension                    | Stroke + 210 mm   |         |
| Voltage                                   | 28 V DC   |         |
| Current output                            | 4 A   |         |
| Protection class                          | IP 10   |         |
| Ambient temperature                       | +5°C to +40°C   |         |
| Displacement during synchronous operation | 0 to 2 mm   |         |
| Duty cycle (Operation mode S3)            | At nominal load, 10% (2 min operating time, 18 mins rest time)            |         |

### Note:

All information refers to the standard sizes. All data of push/pull forces are referring to the individual lifting column, for combined applications a safety factor of up to 0,6 has to be considered.

In medical applications, the maximum pull force of 500 N and, in the case of the version with a travel speed of 8 mm/s, the maximum push force of 2500 N must not be exceeded.

## Load data Multilift II



| Drive                               | Push force [N] | Travel speed [mm/s] | Number of assigned motor channels |   |                        |             |
|-------------------------------------|----------------|---------------------|-----------------------------------|---|------------------------|-------------|
|                                     |                |                     | 1                                 | 2 | 3                      | 4           |
| Multilift II with internal carriage | 1000           | 16                  | ✓                                 | ✓ | ✓                      | each 750 N  |
| Multilift II with internal carriage | 3000           | 8                   | ✓                                 | ✓ | each 2200 N            | each 1500 N |
|                                     |                |                     | MultiControl II duo               |   | MultiControl II quadro |             |

### Note:

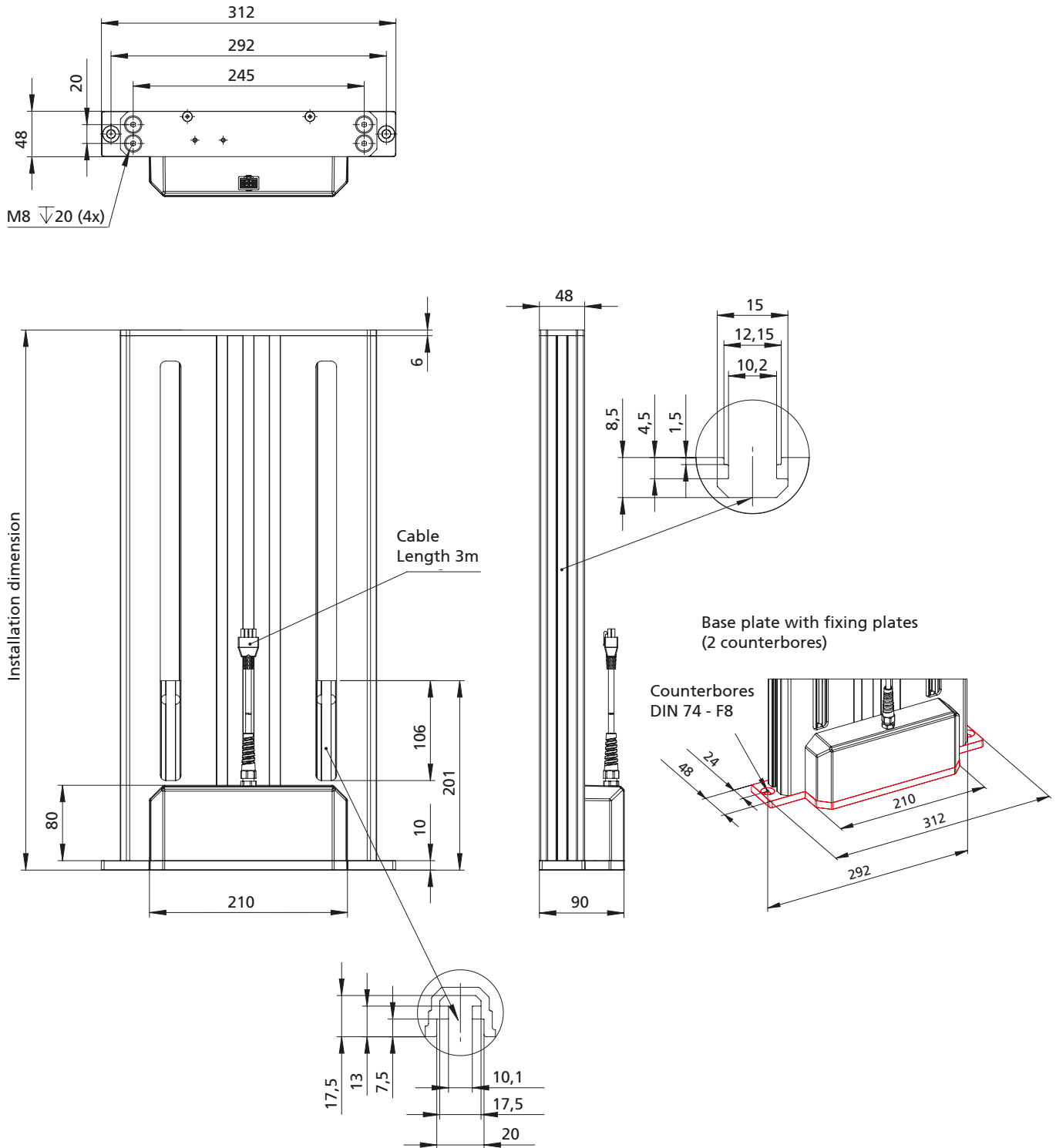
If more than 2 drives are to be operated synchronously at nominal load, BUS communication between two or more MultiControl II duo controllers is required.

The necessary accessories can be found on page 146

The procedure for setting up BUS communication is described in detail in the operating manual.



### Multilift II with internal carriage



The fixing slots on the side allow an easy attachment of accessories. For example, a screen, CPU bracket or system reinforcements can be fixed to the lifting columns by using slot stones. The 30 slot geometry is also compatible with the RK BLOCAN® aluminium profile system.

# Multilift II with internal carriage – Versions

## Multilift II with internal carriage – maximum versatility

Customer feedback formed the basis for a number of improvements to the design of the Multilift II. Our latest new feature is an assembly slot on both sides of the external profile of the electric lifting column, which is compatible with the RK Rose+Krieger aluminium profile system and can take corresponding slot stones. They allow additional attachments such as reinforcements, screening and so on to be mounted without any problems.



### Special features:

- Lateral fixing slots
- Captive plug connections
- Suitable for both tensile and compressive loads
- Internal carriage

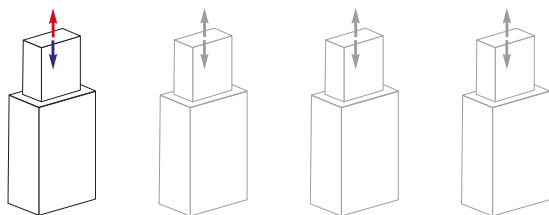
### Ideal area of application:

- ✓ Workplace ergonomics
- ✓ Industrial technology
- ✓ Media technology
- ✓ Materials handling

---

## Lifting column and control as individual components:

Multilift II can be used exclusively in combination with MultiControl II duo (see page 130) and MultiControl II quadro (see page 138).



## Features:

- Supports configuration of systems with up to 32 drives
- Wide-range input
- High duty cycle
- Simple connection to master control system
- Intuitive operation

**Individual components:**  
 Multilift II with internal carriage


| Code No.          | Type                                | max. push force [N] | max. pull force [N] | max. lifting speed [mm/s] | Total travel [mm] | Installation dimension [mm] | Weight [kg] |
|-------------------|-------------------------------------|---------------------|---------------------|---------------------------|-------------------|-----------------------------|-------------|
| TM24B1C3C22CF0362 | Multilift II with internal carriage | 3000 / 2500 (med.)  | 3000 / 500 (med.)   | 8                         | 362,5             | 573                         | 9,2         |
| TM24B1C3C22CF0407 |                                     |                     |                     |                           | 407,5             | 618                         | 9,6         |
| TM24B1C3C22CF0460 |                                     |                     |                     |                           | 460               | 670                         | 10          |
| TM24B1C3C22CF0505 |                                     |                     |                     |                           | 505               | 715                         | 10,5        |
| TM24B1C2C22CF0362 | Multilift II with internal carriage | 1000 / 1000 (med.)  | 1000 / 500 (med.)   | 16                        | 362,5             | 573                         | 9,2         |
| TM24B1C2C22CF0407 |                                     |                     |                     |                           | 407,5             | 618                         | 9,6         |
| TM24B1C2C22CF0460 |                                     |                     |                     |                           | 460               | 670                         | 10          |
| TM24B1C2C22CF0505 |                                     |                     |                     |                           | 505               | 715                         | 10,5        |

**System components**

| Code No.             | Accessories   |  |
|----------------------|---|--|
| <b>Controls</b>      |   |  |
| QST11H12AA000        | MultiControl II duo - Basic                                     | Multilift II / Multilift II with internal carriage |
| QST11H12AA022        | MultiControl II duo - Premium                                   |  |
| QST11H14AA000        | MultiControl II quadro - Basic                                  | Multilift II / Multilift II with internal carriage |
| QST11H14AA022        | MultiControl II quadro - Premium                                |  |
| <b>Hand switches</b> |   |  |
| QZB11G07AV041        | Hand switch with 6 function keys and display – 1 m cable length |  |
| QZB11G07AB041        | Hand switch with 2 function keys – 1 m cable length             |  |
| QZD000074            | Hand switch drawer for hand switch with 6 and 2 function keys   |  |
| <b>IEC connector</b> |   |  |
| QZD070618            | IEC cable (Europe version, earthed plug)                        |  |

**Note:** Further accessories (hand switches, connecting cables etc.) can be found in the chapter „Controls and accessories“ starting on page 126

# Multilift II – Accessories

## RK SyncFlex V

### Scope of delivery:

Adjuster plate, incl. fixing material

### Option:

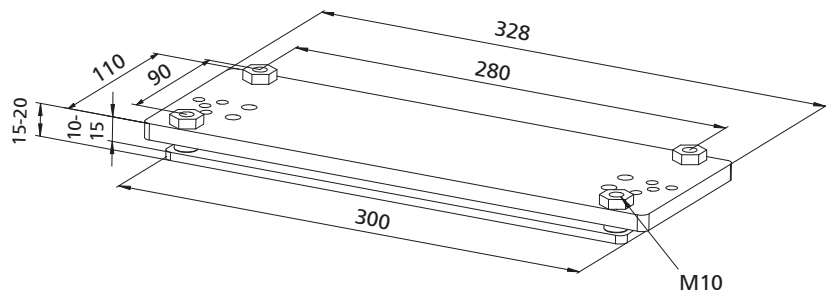
Pressure plate (see table) can be ordered separately

## Vertical alignment

- If the lifting columns are not parallel, the distance between the two upper fixing points will change during the movement. However, a rigid connection keeps this distance constant, which means that the lifting columns are subject to very strong forces.

RK SyncFlex V enables the compensation of unevenness in the mounting environment.

- The lifting columns can be aligned via the vertical adjustment around the X-Y axes.



[mm]

| Code No.                      | Type                      | Max. load | Multilift II     |                  |
|-------------------------------|---------------------------|-----------|------------------|------------------|
|                               |                           |           | Internal profile | External profile |
| RK SyncFlex V Adjusting plate |                           |           |                  |                  |
| QZD020620                     | Multilift II product line | 3000 N    | ●*               | ●                |
| Pressure Plate                |                           |           |                  |                  |
| QZD020621                     | Multilift II product line | 3000 N    |                  |                  |

## Adaptor bar

- Cross struts from the BLOCAN® Profile Assembly System are used to increase the stability of two version Multilift II with internal carriage. The adaptor bar is suitable for F profile 40 x 80 L and F 30x60.

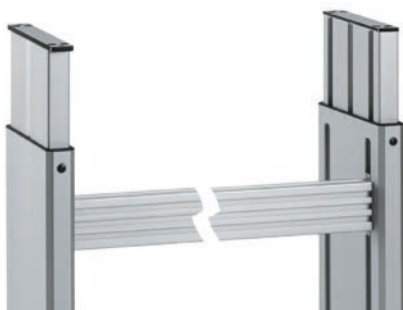
### Material:

AlMgSi 0,5

Fixing set, zinc plated

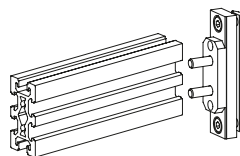
### Scope of delivery:

2x adaptor bars, fixing setsatz

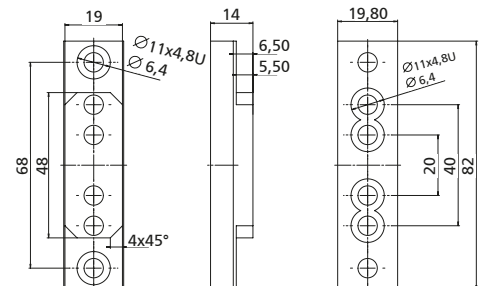


BLOCAN®-Profile F 30x60 as cross strut

Slot stones, -L M6 4046204



Adaptor bar



| Code No.  | Version   |
|-----------|---|
| QZD020020 | Adaptor bar for BLOCAN® profiles                  |
| 4285000   | Profile* F-40 x 80-L, can be cut to specification |

Length (clear width between the Multilifts -2 mm)

\* For dimensions of the profiles, please refer to the catalogue BLOCAN PROFILE TECHNOLOGY

## Mounting bracket for Multilift II



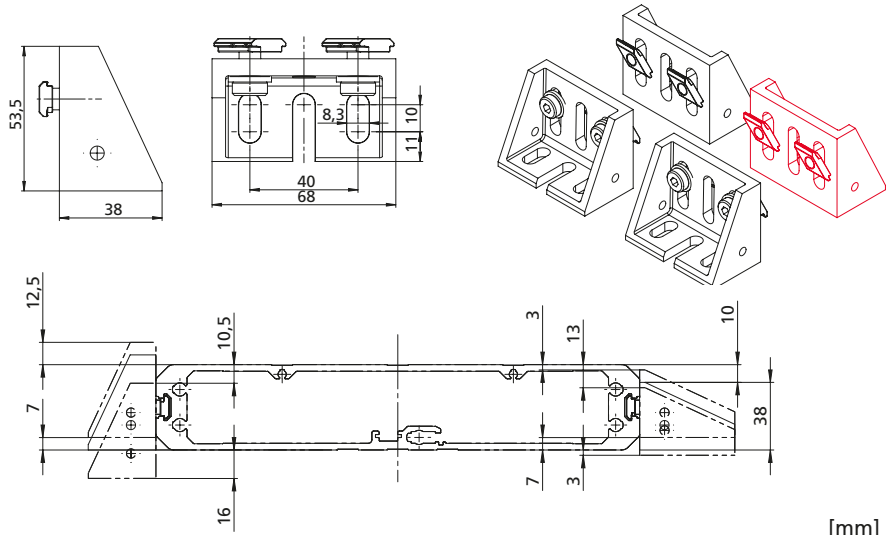
- The mounting brackets are used to to fix the lifting column horizontally or vertically horizontally or vertically by means of the fixing slots on the outer profile of the Multilift II. Also suitable for ESD applications.

**Material:**

Aluminium die cast

**Scope of delivery:**

One mounting bracket including mounting material



[mm]

| Code No.  | Type                          | Max. load | Multilift II     |                  |
|-----------|-------------------------------|-----------|------------------|------------------|
|           |                               |           | Internal profile | External profile |
| QZD020745 | Multilift II mounting bracket | 3000 N    |                  | ●                |

## Support struts

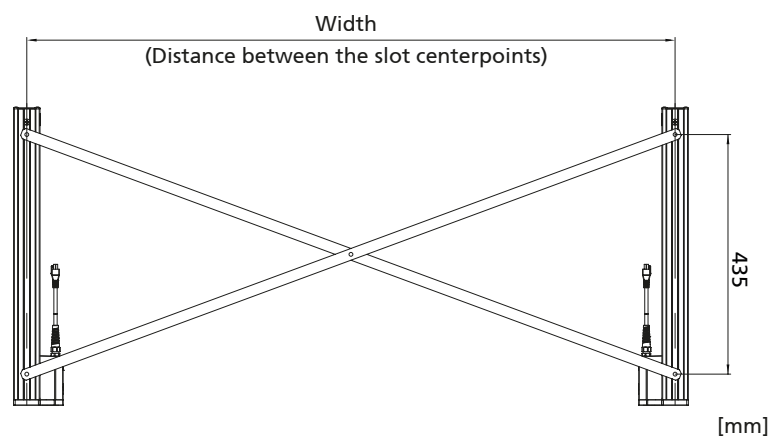
- For stabilisation of column structures.
- Available for all Multilift II / Multilift II telescope variants.

**Material:**

Aluminium not anodized

**Scope of delivery:**

Two support struts including fastenings



[mm]

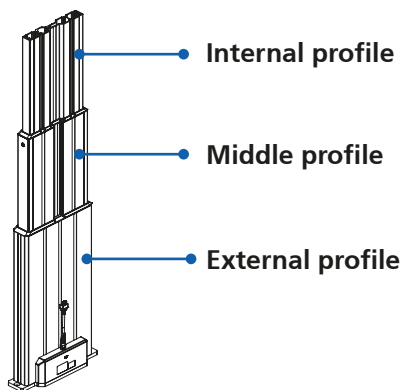
| Code No.  | Type                                     | Width (min.) | Width (max.) | Multilift II     |                  |
|-----------|--|--------------|--------------|------------------|------------------|
|           |  |              |              | Internal profile | External profile |
| QZD020734 | Support struts Multilift II product line | 750 mm       | 2000 mm      |                  | ●                |

Distance between the slot centerpoints [mm]



# Multilift II – Accessories

## Foot versions



- Different foot versions for the Multilift
- No modifications of the Multilift required

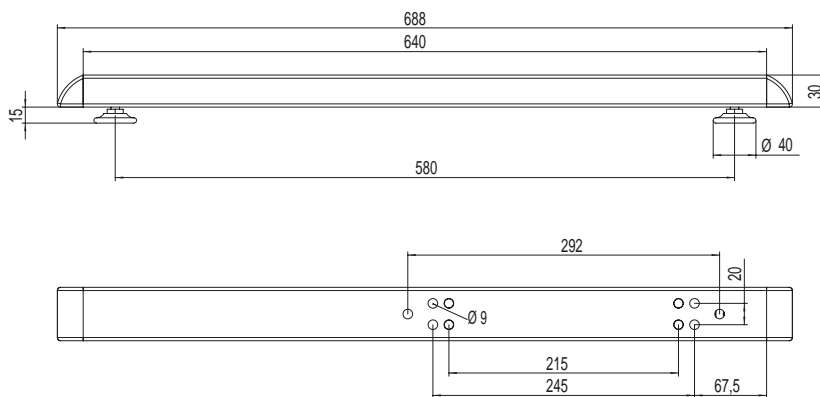
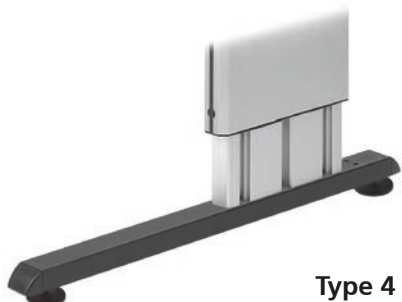
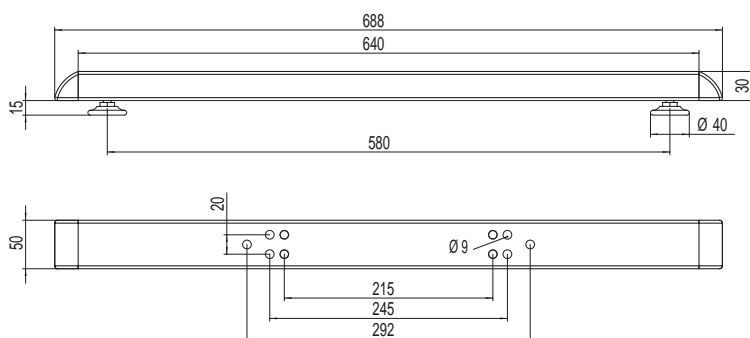
### Material:

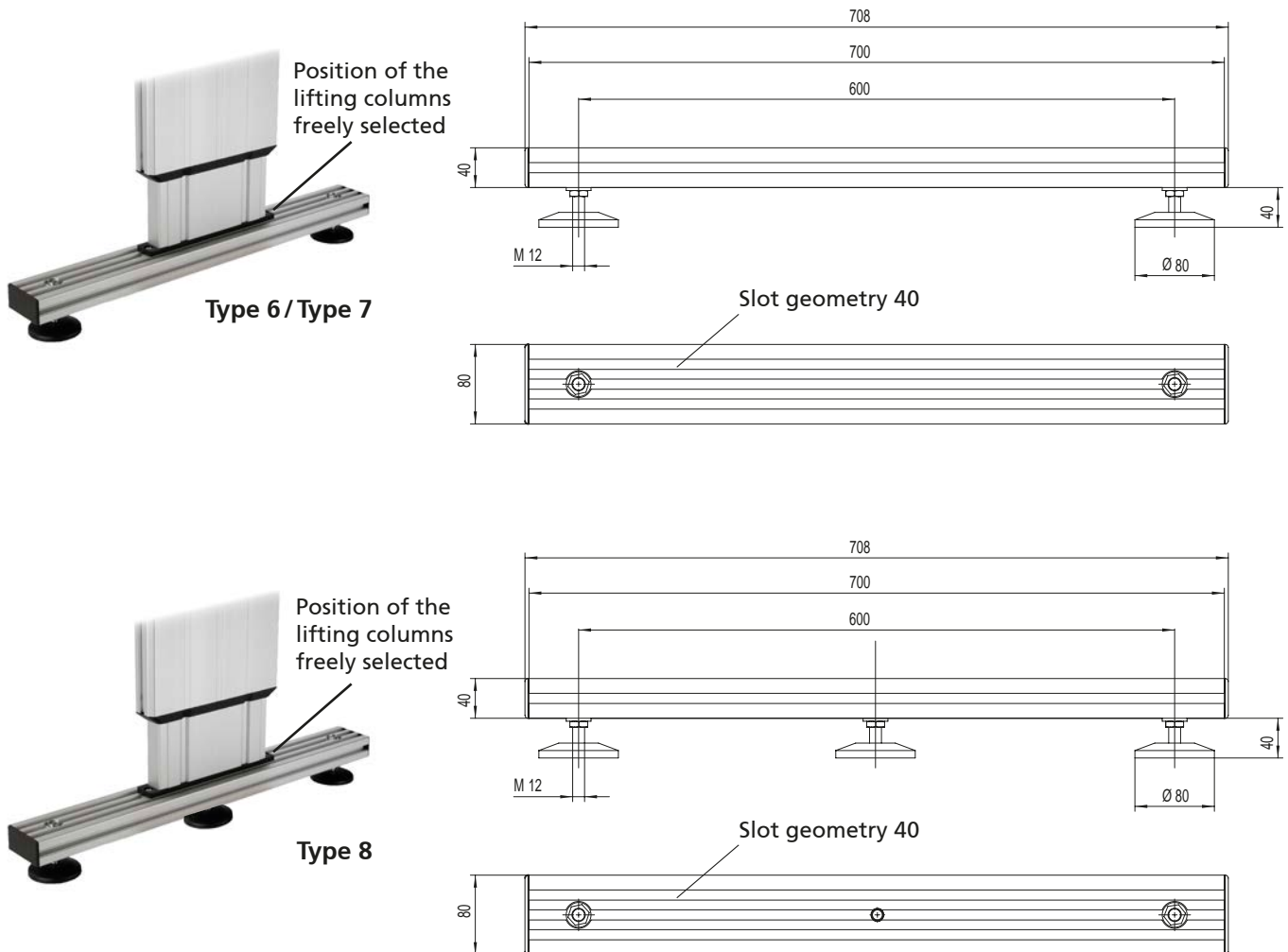
Type 1/2 GK-ALSi12/3.2583.02, black powder-coated

Type 3/4 steel tube, ends capped black powder-coated

### Scope of delivery:

one foot with fixing set





| Code No.  | Type | Max. load | Multilift II with internal carriage |                  |                 |
|-----------|------|-----------|-------------------------------------|------------------|-----------------|
|           |      |           | Internal profile                    | External profile | Properties      |
| QZD020254 | 3    | 1000 N    |                                     | ●                |                 |
| QZD020255 | 4    | 1000 N    |                                     | ●                |                 |
| QZD020256 | 6    | 3000 N    |                                     | ●                |                 |
| QZD020257 | 7    | 3000 N    |                                     | ●                | For ESD-Version |
| QZD020258 | 8    | 3000 N    |                                     | ●                |                 |

# RK Powerlift M



## The mini version of the RK Powerlift – the RK Powerlift M



### Fixing slot

- ✓ To accommodate clamping bars
- ✓ Fitted with cover profile

- ✓ Fixed motor cable (3 m) with plug

### Highlights / Features:

- Withstands high torsional and bending moments
- Integrated motor
- Extremely quiet operation
- External control
- Four fixing slots in external profile
- Power receptacle at top or bottom, as preferred
- Tested to:  
IEC 60601-1 (ed.3)  
EN 60601-1:2006/A1:2013

### Options:

- Special stroke lengths and installations height available on request
- With synchronous control:
  - Cascading of several columns
- Specific solutions on request

**RK Powerlift M – Table of contents**

|                        |   |
|------------------------|---|
| <p><b>Versions</b></p> | <p><b>Lifting columns</b></p> <ul style="list-style-type: none"> <li>■ RK Powerlift M for external control ..... Page 86</li> </ul> |
|------------------------|---|

|                           |   |
|---------------------------|---|
| <p><b>Accessories</b></p> | <p><b>Fixing</b></p> <ul style="list-style-type: none"> <li>■ RK SyncFlex..... Page 88</li> <li>■ Square nut ..... Page 88</li> <li>■ Assembly plates..... Page 89</li> <li>■ Base plate ..... Page 89</li> </ul> |
|---------------------------|---|

# RK Powerlift M – Technical data

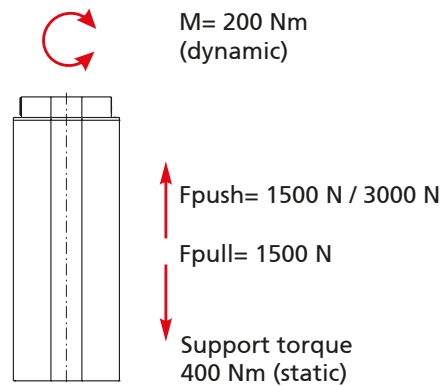
## General information/operating conditions

| Type                                      | RK Powerlift M  |
|---|---|
| Design                                    | Rectangular lifting column in compact design                            |
| Guide                                     | 16 POM slide bearings   |
| Installation position                     | Any position/suspended with drop protection provided by the customer    |
| Push force                                | 3000 N or 1500 N  |
| Pull force                                | 1500 N  |
| Self-locking                              | Yes   |
| Max. travel speed                         | 7 mm/s or 10 mm/s   |
| Max. Stroke                               | 500 mm  |
| Installation dimension                    | Stroke + 210 mm   |
| Voltage                                   | 24 V DC   |
| Current output                            | 3,5 A or 4,5 A  |
| Protection class                          | IP 30 (in connection with the assembly plate)                           |
| Ambient temperature                       | +5°C to +40°C   |
| Displacement during synchronous operation | 0 to 2 mm   |
| Duty cycle (Operation mode S 3)           | At nominal load, 15% (max. 1.5 mins operating time, 8.5 mins rest time) |

### \*Note:

All information refers to the standard sizes. All data of push/pull forces are referring to the individual lifting column, for combined applications a safety factor of up to 0,6 has to be considered. In medical applications, the maximum pull force of 750 N must not be exceeded.

## Load data RK Powerlift M



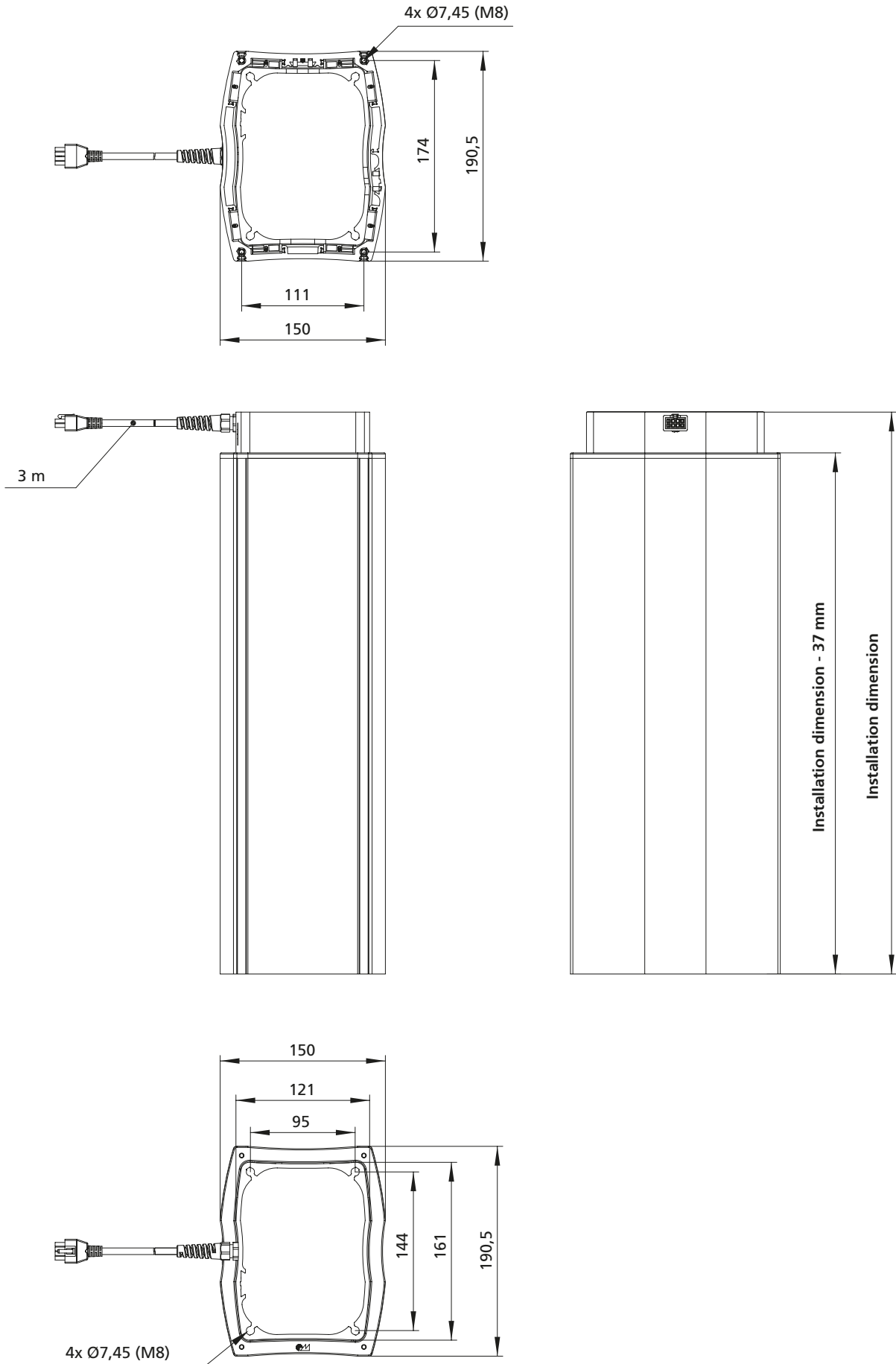
| Drive       | Push force [N] | Travel speed [mm/s] | Number of assigned motor channels |   |                        |             |
|-------------|----------------|---------------------|-----------------------------------|---|------------------------|-------------|
|             |                |                     | 1                                 | 2 | 3                      | 4           |
| Powerlift M | 1500           | 10                  | ✓                                 | ✓ | each 1300 N            | each 500 N  |
| Powerlift M | 3000           | 7                   | ✓                                 | ✓ | each 1600 N            | each 1000 N |
|             |                |                     | MultiControl II duo               |   | MultiControl II quadro |             |

### Note:

If more than 2 drives are to be operated synchronously at nominal load, BUS communication between two or more MultiControl II duo controllers is required. The necessary accessories can be found on page 146. The procedure for setting up BUS communication is described in detail in the operating manual.



**RK Powerlift M for external control**



# RK Powerlift M – Versions

## RK Powerlift M for external control

The design of the **RK Powerlift M** is impressive, with its high torque support and its compact form. As a result, this lifting column is often used as a mono column. In addition to the existing 1500 N version, the range has been extended to include the RK Powerlift M for compressive forces of 3000 N. The combination of high compressive force and torque support makes the RK Powerlift M a powerful lifting column with many different applications.



### Special features:

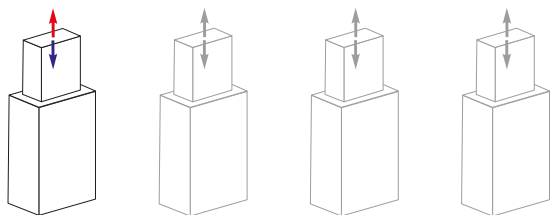
- Withstands high torsional and bending moments
- Compact form

### Ideal area of application:

- ✓ Workplace ergonomics
- ✓ Industrial technology
- ✓ Media technology
- ✓ Medical technology

## Lifting column and control as individual components:

RK Powerlift M can be used exclusively in combination with MultiControl II duo (see page 130) and MultiControl II quadro (see page 138).



### Features:

- Supports configuration of systems with up to 32 drives
- Wide-range input
- High duty cycle
- Simple connection to master control system
- Intuitive operation

## RK Powerlift M

| Code No.             | Type  | max. push force [N] | max. pull force [N] | max. lifting speed [mm/s] | Total travel [mm] | Installation dimension [mm] | Weight [kg] |
|----------------------|---|---------------------|---------------------|---------------------------|-------------------|-----------------------------|-------------|
| For external control |   |                     |                     |                           |                   |                             |             |
| QPM08EE490300        | RK Powerlift M<br> | 3000 / 3000 (med.)  | 1500 / 750 (med.)   | 7                         | 300               | 510                         | ~12,0       |
| QPM08EE490400        |   |                     |                     |                           | 400               | 610                         | ~13,5       |
| QPM13EC490300        |   | 1500 / 1500 (med.)  | 1500 / 750 (med.)   | 10                        | 300               | 510                         | ~12,0       |
| QPM13EC490400        |   |                     |                     |                           | 400               | 610                         | ~13,5       |
| QPM13EC490500        |   |                     |                     |                           | 500               | 710                         | ~15,0       |

## System components

| Code No.      | Accessories   |                |
|---------------|---|----------------|
| Controls      |   |                |
| QST44H12AA000 | MultiControl II duo - Basic                                     | RK Powerlift M |
| QST44H12AA022 | MultiControl II duo - Premium                                   |                |
| QST44H14AA000 | MultiControl II quadro - Basic                                  | RK Powerlift M |
| QST44H14AA022 | MultiControl II quadro - Premium                                |                |
| Hand switches |   |                |
| QZB11G07AV041 | Hand switch with 6 function keys and display – 1 m cable length |                |
| QZB11G07AB041 | Hand switch with 2 function keys – 1 m cable length             |                |
| QZD000074     | Hand switch drawer for hand switch with 6 and 2 function keys   |                |
| IEC connector |   |                |
| QZD070618     | IEC cable (Europe version, earthed plug)                        |                |

**Note:**

Further accessories (hand switches, connecting cables etc.) can be found in the chapter „Controls and accessories“ starting on page 126



# RK Powerlift M – Accessories

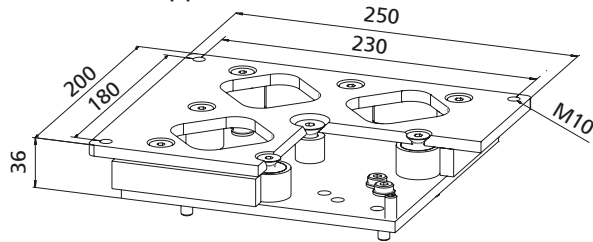
## RK SyncFlex H

**Scope of delivery:**  
Adjuster plate,  
incl. fixing material



### Horizontal alignment

- To prevent locked-up stress in mechanically overdefined bearing systems (more than one fixed bearing) around the horizontal axis. With RK SyncFlex H defined loose bearings supplement the application.
- The horizontal compensation in the Z-axis enables the freedom of movement required when moving the lifting columns.



[mm]

| Code No.  | Type           | Max. load | Powerlift M      |                  |
|-----------|----------------|-----------|------------------|------------------|
|           |                |           | Internal profile | External profile |
| QZD100453 | RK Powerlift M | 3000 N    | ●                |                  |

## RK SyncFlex V

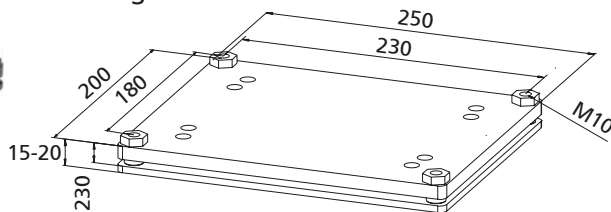
**Scope of delivery:**  
Adjuster plate,  
incl. fixing material

**Option:**  
Optionally available with or  
without pressure plate (see table)



### Vertikale Ausrichtung

- If the lifting columns are not parallel, the distance between the two upper fixing points will change during the movement. However, a rigid connection keeps this distance constant, and this means that the lifting columns are subject to very strong forces.
- The lifting columns can be aligned via the vertical adjustment around the X-Y axes.



| Code No.                      | Type           | Max. load | Powerlift M      |                  |
|-------------------------------|----------------|-----------|------------------|------------------|
|                               |                |           | Internal profile | External profile |
| RK SyncFlex V Adjusting plate |                |           |                  |                  |
| QZD100446                     | RK Powerlift M | 3000 N    |                  | ●                |
| Pressure Plate                |                |           |                  |                  |
| QZD100463                     | RK Powerlift M | 3000 N    |                  |                  |

## Square nut



- For connecting accessories to the external profile

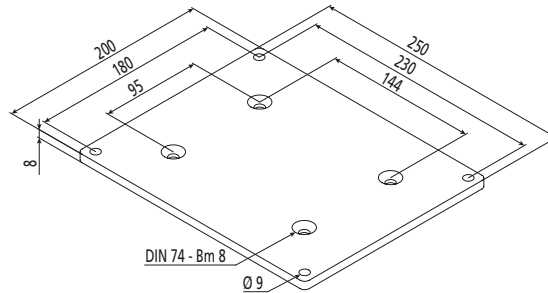
| Code No.   | lot sizes         | Type                   |
|------------|-------------------|------------------------|
| QZD1003261 | 10, 20, 30... pcs | Square nut M4, DIN 562 |

## Assembly plates

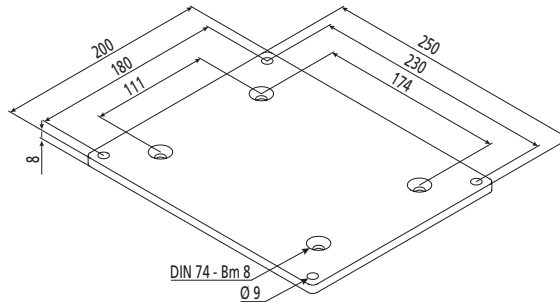
■ These mounting plates are fitted using the mounting kits supplied and fixed directly into the screw channels in the **RKPowerlift M**. A further 4 holes, in the mounting plate, allow easy connection, to brackets or corresponding fixture assembly work etc.

**Material:** S 235 JR, black powder-coated, zinc plated fixing set

**Scope of delivery:**  
Plate, incl. fixing set



| Code No.  | Type               | Powerlift M      |                  |
|-----------|--------------------|------------------|------------------|
|           |                    | Internal profile | External profile |
| QZD100541 | Top assembly plate | ●                |                  |

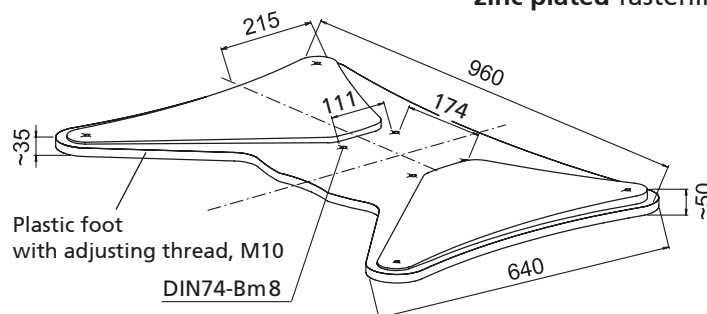
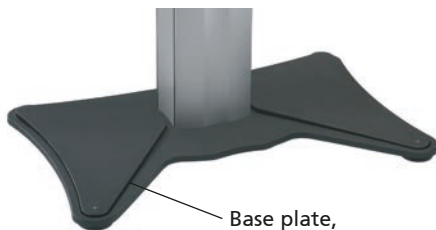


| Code No.  | Type                  | Powerlift M      |                  |
|-----------|-----------------------|------------------|------------------|
|           |                       | Internal profile | External profile |
| QZD100542 | Bottom assembly plate |                  | ●                |

## Base plate

**Scope of delivery:**  
complete with fastenings

**Material**  
steel, black powder-coated (RAL 9005), zinc plated fastenings

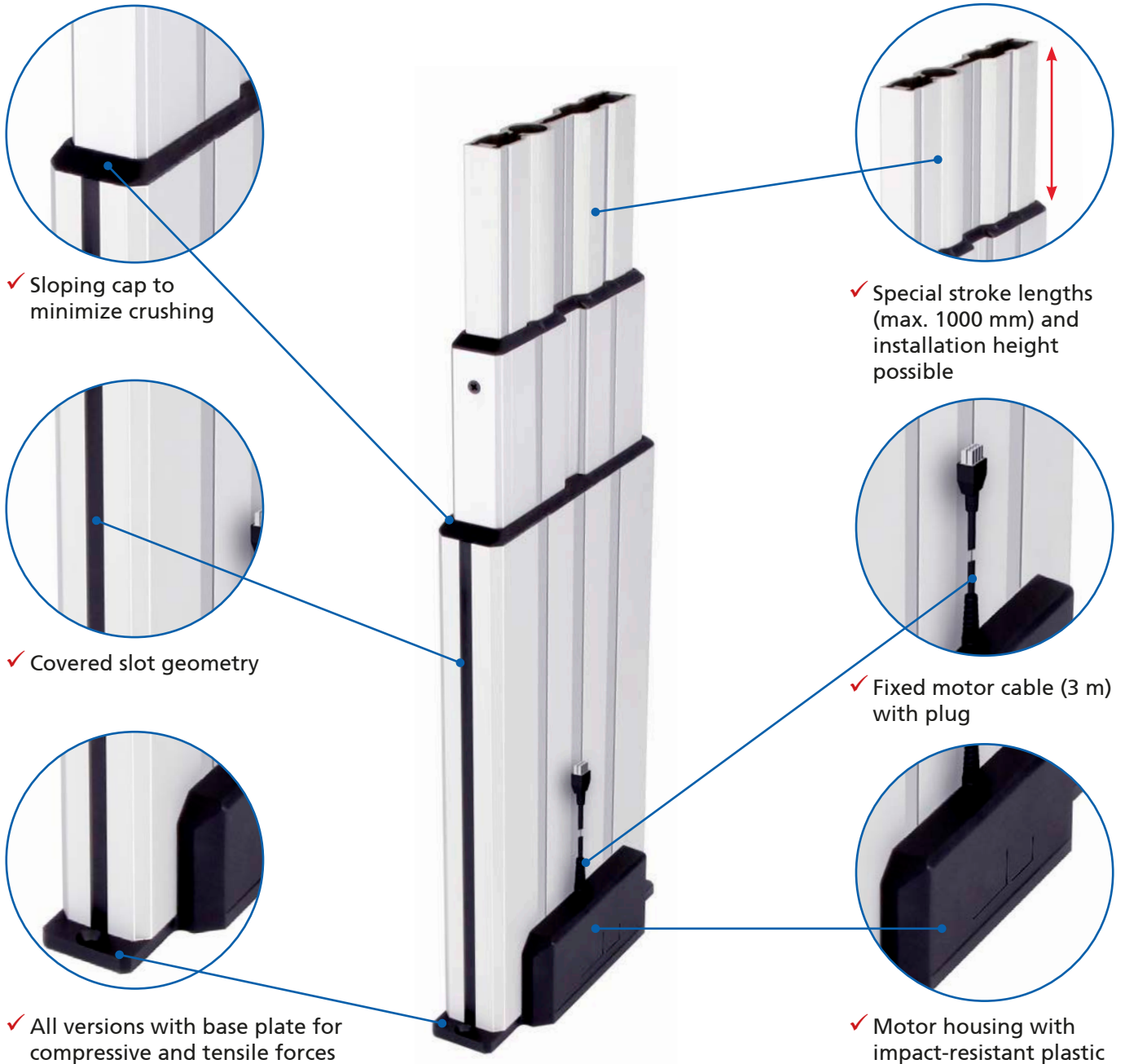


| Code No.  | Type                          | Powerlift M      |                  |
|-----------|-------------------------------|------------------|------------------|
|           |                               | Internal profile | External profile |
| QZD100546 | Base plate for RK Powerlift M |                  | ●                |

# Multilift II telescope



Optimised unique height/stroke length ratio conforms to the ergonomics standard for workbenches (DIN EN 527-1:2011)



## Highlights / Features:

- Integrated limit switches
- Self-locking, even at max. load
- Lateral fixing slot in external profile
- Position feedback by hall sensor
- Optimised height/stroke length ratio conforms to the ergonomic standard for workbenches (DIN EN 527-1:2011)

## Options:

- Special stroke lengths and installation height available on request
- With synchronous control:
  - Cascading of several columns
- Specific solutions on request
- Testet to: IEC 60601-1:2005, IEC 60601-1:2005/AMD1:2012

## Multilift II telescope – Table of contents

|   |   |
|---|---|
| <p><b>Versions</b></p> <p>Lifting columns</p> | <ul style="list-style-type: none"> <li>■ Multilift II telescope..... Page 94</li> <li>■ Multilift II telescope ESD ..... Page 96</li> </ul>   |
| <p><b>Accessories</b></p> <p>Fixing</p>       | <ul style="list-style-type: none"> <li>■ RK SyncFlex..... Page 98</li> <li>■ Assembly plates..... Page 99</li> <li>■ Support struts..... Page 99</li> <li>■ Foot versions ..... Page 100</li> </ul> |

# Multilift II telescope – Technical data

## General information/operating conditions

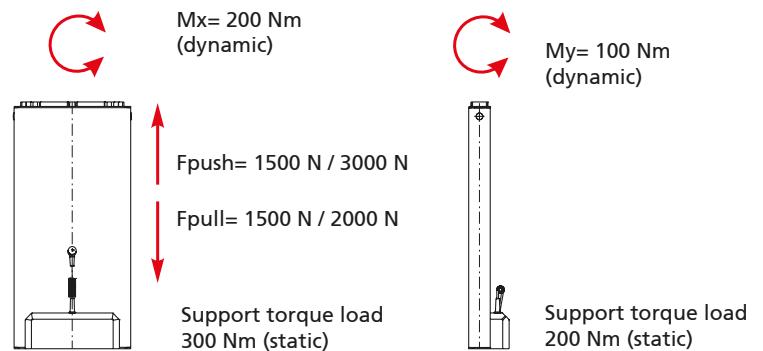
| Type                                      | Multilift II telescope  | Multilift II telescope ESD | Custom   |
|---|---|----------------------------|----------|
| Design                                    | Slim lifting column   |                            |          |
| Guide                                     | POM slide bearings  |                            |          |
| Installation position                     | Any position / hanging only with drop protection provided by the customer |                            |          |
| Push force                                | 3000 N or 1000 N  |                            |          |
| Pull force                                | 2000 N or 1000 N  |                            |          |
| Self-locking                              | Yes   |                            |          |
| Max. travel speed                         | 8 mm/s or 16 mm/s   |                            |          |
| Max. Stroke                               | 650 mm  |                            | 1000 mm  |
| Installation dimension                    | 560 mm  |                            | 732,5 mm |
| Voltage                                   | 28 V DC   |                            |          |
| Current output                            | 4 A   |                            |          |
| Protection class                          | IP 30 (in connection with the assembly plate)                             |                            |          |
| Ambient temperature                       | +5°C to +40°C   |                            |          |
| Displacement during synchronous operation | 0 to 2 mm   |                            |          |
| Duty cycle (Operation mode S3)            | At nominal load, 10% (2 min operating time, 18 mins rest time)            |                            |          |

### Note:

All information refers to the standard sizes. All data of push/pull forces are referring to the individual lifting column, for combined applications a safety factor of up to 0,6 has to be considered.

In medical applications, the maximum pull force of 500 N and, in the case of the version with a travel speed of 8 mm/s, the maximum push force of 1500 N must not be exceeded.

## Load data Multilift II telescope



| Drive                  | Push force [N] | Travel speed [mm/s] | Number of assigned motor channels |   |                        |             |
|------------------------|----------------|---------------------|-----------------------------------|---|------------------------|-------------|
|                        |                |                     | 1                                 | 2 | 3                      | 4           |
| Multilift II telescope | 1000           | 16                  | ✓                                 | ✓ | each 850 N             | each 500 N  |
| Multilift II telescope | 3000           | 8                   | ✓                                 | ✓ | each 1800 N            | each 1000 N |
|                        |                |                     | MultiControl II duo               |   | MultiControl II quadro |             |

### Note:

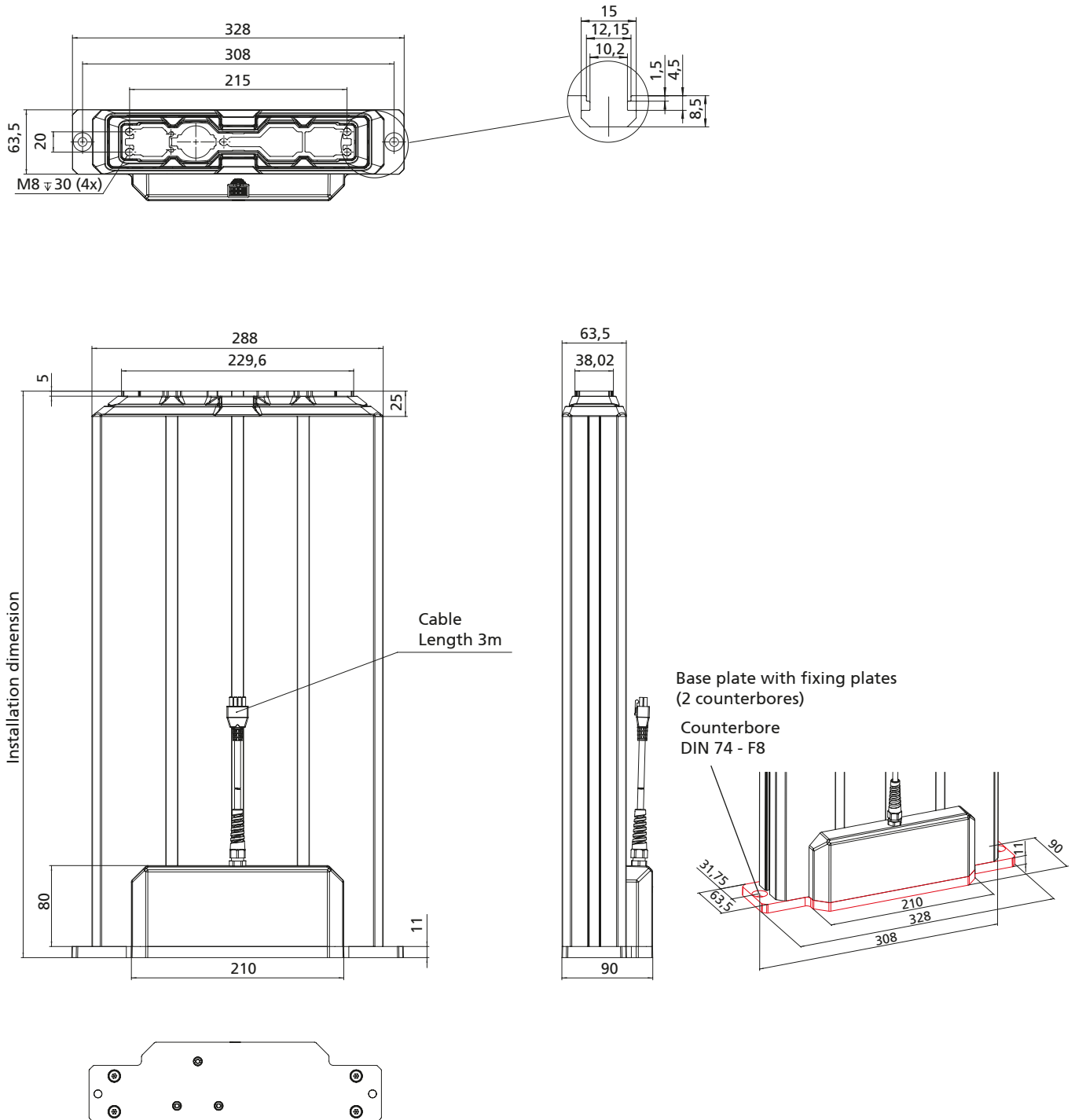
If more than 2 drives are to be operated synchronously at nominal load, BUS communication between two or more MultiControl II duo controllers is required.

The necessary accessories can be found on page 146.

The procedure for setting up BUS communication is described in detail in the operating manual.



## Multilift II telescope

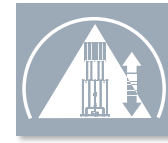


The fixing slots on the side allow an easy attachment of accessories. For example, a screen, CPU bracket or system reinforcements can be fixed to the lifting columns by using slot stones. The 30 slot geometry is also compatible with the RK BLOCAN® aluminium profile system.

# Multilift II telescope – Versions

## Multilift II telescope – unique installation height / stroke ratio

The three-stage lifting column conforms to the ergonomics standard for workbenches (DIN EN 527-1:2011) and features an optimum height / stroke length ratio: the installation dimension in a retracted position is just 560 mm. The maximum stroke is 650 mm (Custom 1000 mm) with a maximum lifting force of up to 3000 N per drive.



### Special feature:

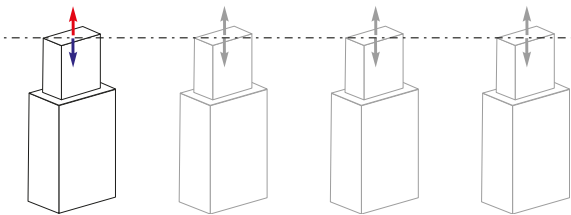
- Optimised height / stroke length ratio conforms to the ergonomic standard for workbenches (DIN EN 527-1:2011)

### Ideal area of application:

- ✓ Especially for seated and standing workplaces in the production
- ✓ LEAN-Workplaces

## Lifting column and control as individual components:

Multilift II telescope can be used exclusively in combination with MultiControl II duo (see page 138) and MultiControl II quadro (see page 138).

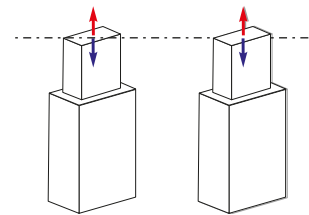


### Features:

- Supports configuration of systems with up to 32 drives
- Wide-range input
- High duty cycle
- Simple connection to master control system
- Intuitive operation

## Lifting column and control as pre-assembled set:

Multilift II telescope can be used exclusively in combination with Compact-e-3-EU (see page 158)



### Features:

- Exclusively for a 2-column table system
- System is factory-initialised (Plug & Play)

**Individual components:**

Lifting column Multilift II telescope



| Code No.          | Type                   | max. push force [N] | max. pull force [N] | max. lifting speed [mm/s] | Total travel [mm] | Installation dimension [mm] | Weight [kg] |
|-------------------|------------------------|---------------------|---------------------|---------------------------|-------------------|-----------------------------|-------------|
| TM13B1C3C22CA0650 | Multilift II telescope | 3000 / 1500 (med.)  | 2000 / 500 (med.)   | 8                         | 650               | 560                         | 15.0        |
| TM13B1C2C22CA0650 | Multilift II telescope | 1000 / 1000 (med.)  | 1000 / 500 (med.)   | 16                        | 650               | 560                         | 15.0        |

**System components**

| Code No.             | Accessories   |                        |
|----------------------|---|------------------------|
| <b>Controls</b>      |   |                        |
| QST12H12AA000        | MultiControl II duo - Basic                                     | Multilift II telescope |
| QST12H12AA022        | MultiControl II duo - Premium                                   |                        |
| QST12H14AA000        | MultiControl II quadro - Basic                                  | Multilift II telescope |
| QST12H14AA022        | MultiControl II quadro - Premium                                |                        |
| <b>Hand switches</b> |   |                        |
| QZB11G07AV041        | Hand switch with 6 function keys and display – 1 m cable length |                        |
| QZB11G07AB041        | Hand switch with 2 function keys – 1 m cable length             |                        |
| QZD000074            | Hand switch drawer for hand switch with 6 and 2 function keys   |                        |
| <b>IEC connector</b> |   |                        |
| QZD070618            | IEC cable (Europe version, earthed plug)                        |                        |

**Note:**

Further accessories (hand switches, connecting cables etc.) can be found in the chapter „Controls and accessories“ starting on page 126

**Set:**

Multilift II telescope in combination with Compact-e-3-EU control

**Scope of delivery:**

2 Multilifts II, 1 Controller box Compact-e-3-EU, 4 Cover profiles, 4 Slot stones

**Order instruction:**

Please select mains cable and hand switch separately (see page 158)

| Code No.          | Type                               | max. push force [N] | max. pull force [N] | max. lifting speed [N] | Total travel [mm] | Installation dimension [mm] | Weight [kg] |
|-------------------|------------------------------------|---------------------|---------------------|------------------------|-------------------|-----------------------------|-------------|
| TS13B1C3C22CA0650 | Multilift II telescope Set 230V AC | 3000                | 2000                | 8                      | 650               | 560                         | 31.0        |
| TS13B1C2C22CA0650 | Multilift II telescope Set 230V AC | 1000                | 1000                | 16                     | 650               | 560                         | 31.0        |

**Note:**

The load value information is referring to the individual lifting column. For combined applications a safety factor of up to 0,6 has to be considered.



# Multilift II telescope ESD

## Multilift II telescope ESD – discharging voltages via the lifting column

In the electronics and semiconductor manufacturing industry, electrostatic discharges can impair the function of components being assembled, or even destroy them. With the Multilift II telescope ESD, RK Rose+Krieger has developed a patented electric height adjustment system that is able to dissipate voltages.



Special feature:

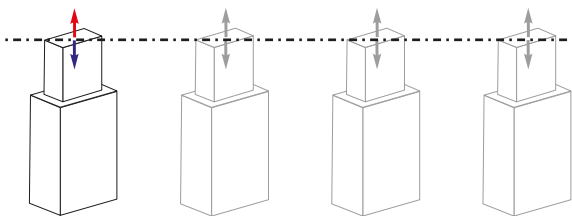
- Outer and inner profile electrically connected to each other

Ideal area of application:

- ✓ Assembly workstations for the manufacture of electronic components

## Lifting column and control as individual components:

Multilift II telescope ESD can be used exclusively in combination with MultiControl II duo (see page 130) and MultiControl II quadro (see page 138).



## Features:

- Supports configuration of systems with up to 32 drives
- Wide-range input
- High duty cycle
- Simple connection to master control system
- Intuitive operation

**Individual components:**  
 Lifting column Multilift II ESD


| Code No.          | Type                       | max. push force [N] | max. pull force [N] | max. lifting speed [mm/s] | Total travel [mm] | Installation dimension [mm] | Weight [kg] |
|-------------------|----------------------------|---------------------|---------------------|---------------------------|-------------------|-----------------------------|-------------|
| TM13B1C3C22CC0650 | Multilift II telescope ESD | 3000 / 1500 (med.)  | 2,000 / 500 (med.)  | 8                         | 650               | 560                         | 15.0        |
| TM13B1C2C22CC0650 | Multilift II telescope ESD | 1000 / 1000 (med.)  | 1,000 / 500 (med.)  | 16                        | 650               | 560                         | 15.0        |

**System components**

| Code No.             | Accessories   |                            |
|----------------------|---|----------------------------|
| <b>Controls</b>      |   |                            |
| QST12H12AA000        | MultiControl II duo - Basic                                     | Multilift II telescope ESD |
| QST12H12AA022        | MultiControl II duo - Premium                                   |                            |
| QST12H14AA000        | MultiControl II quadro - Basic                                  | Multilift II telescope ESD |
| QST12H14AA022        | MultiControl II quadro - Premium                                |                            |
| <b>Hand switches</b> |   |                            |
| QZB11G07AV041        | Hand switch with 6 function keys and display – 1 m cable length |                            |
| QZB11G07AB041        | Hand switch with 2 function keys – 1 m cable length             |                            |
| QZD000074            | Hand switch drawer for hand switch with 6 and 2 function keys   |                            |
| <b>IEC connector</b> |   |                            |
| QZD070618            | IEC cable (Europe version, earthed plug)                        |                            |

**Note:**

Further accessories (hand switches, connecting cables etc.) can be found in the chapter „Controls and accessories“ starting on page 126

# Multilift II telescope – Accessories

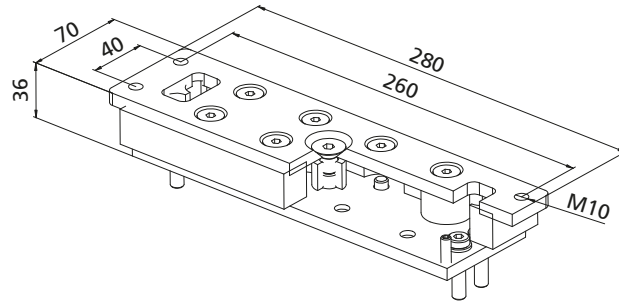
## RK SyncFlex H

**Scope of delivery:**  
Adjuster plate, incl. fixing material



### Horizontal alignment

- To prevent locked-up stress in mechanically overdefined bearing systems (more than one fixed bearing) around the horizontal axis. With RK SyncFlex H, defined floating bearings supplement the application.
- The horizontal compensation in the Z-axis enables the mobility required when moving the lifting columns.



[mm]

| Code No.  | Type                      | Max. load | Multilift II telescope |                  |
|-----------|---------------------------|-----------|------------------------|------------------|
|           |                           |           | Internal profile       | External profile |
| QZD020471 | Multilift II product line | 3000 N    | ●                      |                  |

## RK SyncFlex V

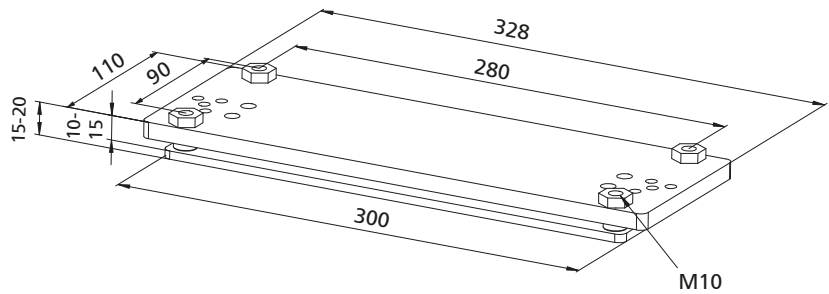
**Scope of delivery:**  
Adjuster plate, incl. fixing material

**Option:**  
Pressure plate (see table) can be ordered separately



### Vertical alignment

- If the lifting columns are not parallel, the distance between the two upper fixing points will change during the movement. However, a rigid connection keeps this distance constant, which means that the lifting columns are subject to very strong forces.
- RK SyncFlex V enables the compensation of unevenness in the mounting environment.
- The lifting columns can be aligned via the vertical adjustment around the X-Y axes.



[mm]

| Code No.                      | Type                      | Max. load | Multilift II telescope |                  |
|-------------------------------|---------------------------|-----------|------------------------|------------------|
|                               |                           |           | Internal profile       | External profile |
| RK SyncFlex V Adjusting plate |                           |           |                        |                  |
| QZD020620                     | Multilift II product line | 3000 N    | ●*                     | ●                |
| Pressure Plate                |                           |           |                        |                  |
| QZD020621                     | Multilift II product line | 3000 N    |                        |                  |

\* = in connection with the assembly plate Type 2 (page 99)

## Assembly plates

- The assembly plates are for easy assembling in customer applications.

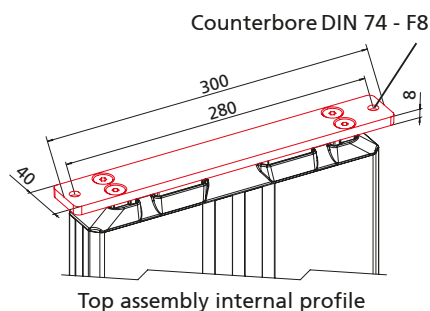
### Material:

Option of black-powdered die cast zinc or black-powdered steel. zinc plated fixing set

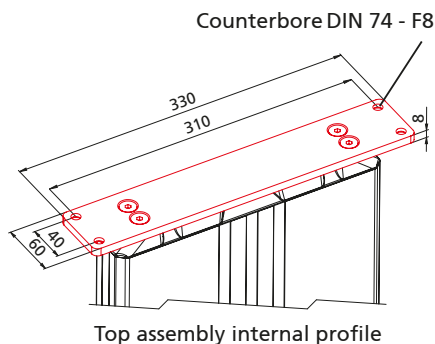
### Scope of delivery:

Plate with fixing set

### Type 2



### Type 3



| Code No.  | Type | for drive              | Material      | Multilift II telescope |                  |
|-----------|------|------------------------|---------------|------------------------|------------------|
|           |      |                        |               | Internal profile       | External profile |
| QZD020549 | 2    | Multilift II telescope | Zinc die cast | ●                      |                  |
| QZD020552 | 3    | Multilift II telescope | Steel         | ●                      |                  |

## Support struts

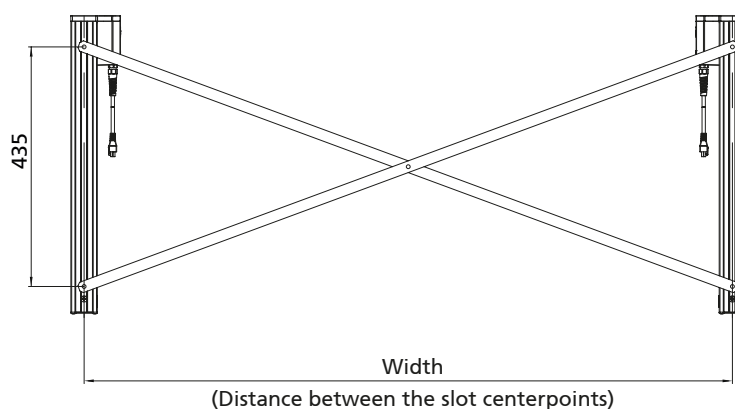
- For stabilisation of column structures.
- Available for all Multilift II / Multilift II telescope variants.

### Material:

Aluminium not anodized

### Scope of delivery:

Two support struts including fastenings

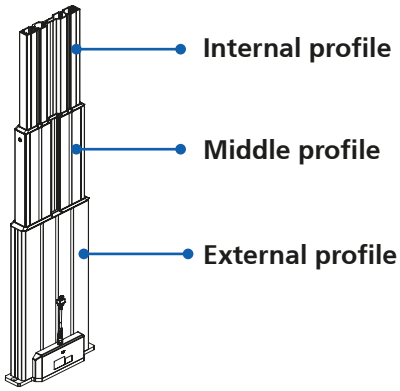


| Code No.  | Type                                     | Width (min.) | Width (max.) | Multilift II telescope |                  |
|-----------|--|--------------|--------------|------------------------|------------------|
|           |  |              |              | Internal profile       | External profile |
| QZD020734 | Support struts Multilift II product line | 750 mm       | 2000 mm      |                        | ●                |

Distance between the slot centerpoints [mm]

# Multilift II telescope – Accessories

## Foot versions

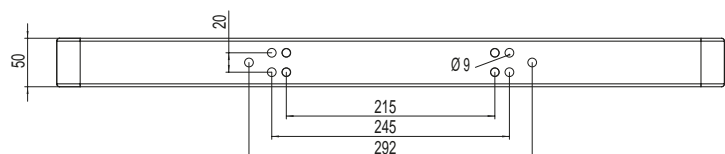
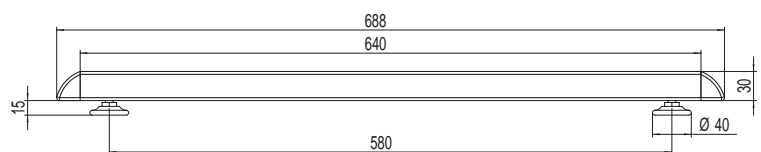
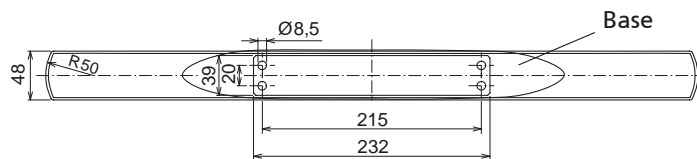
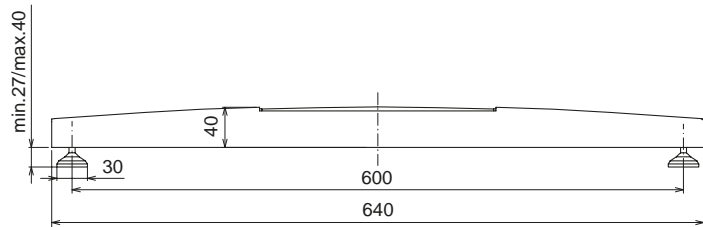
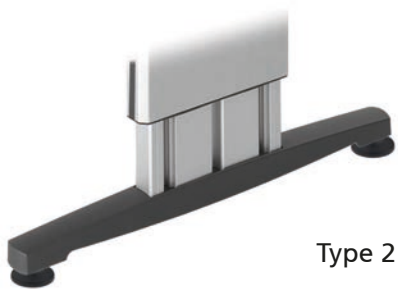
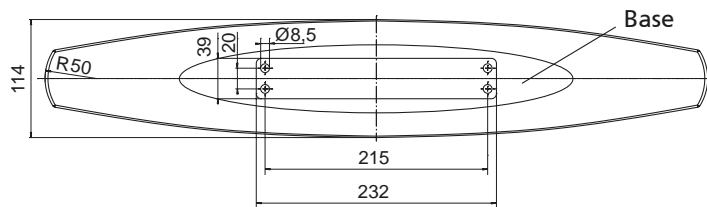
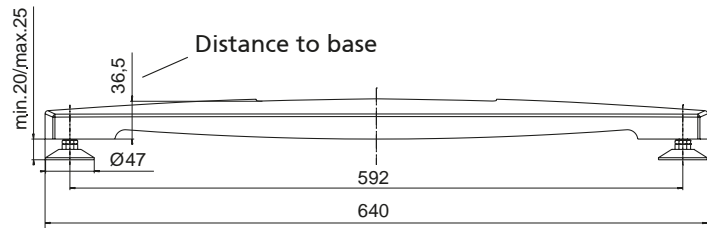


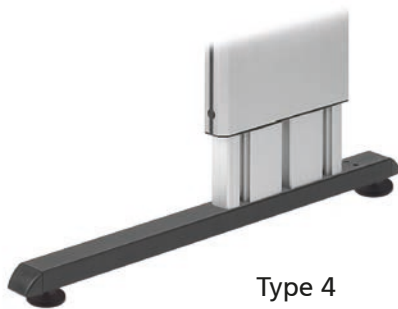
- Different foot versions for the Multilift
- No modifications of the Multilift required

**Material:**  
Type 1/2 GK-ALSi12/3.2583.02,  
black powder-coated

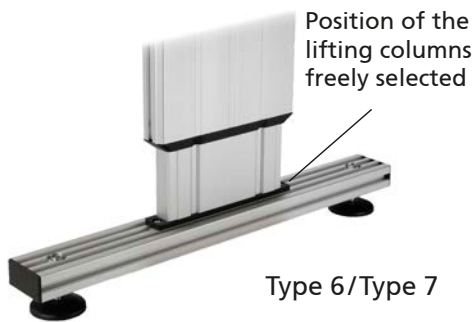
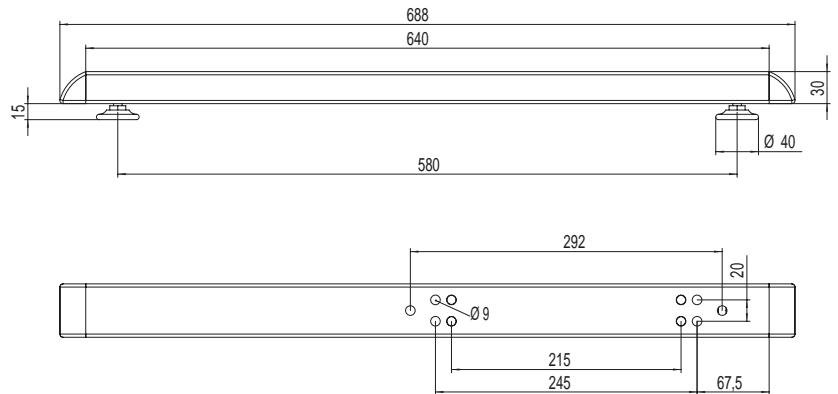
Type 3/4 steel tube, ends capped  
black powder-coated

**Scope of delivery:**  
one foot with fixing set

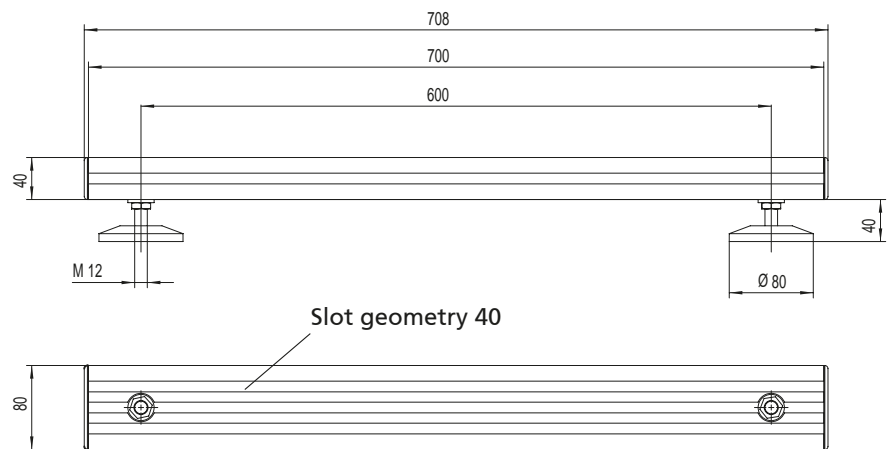




Type 4



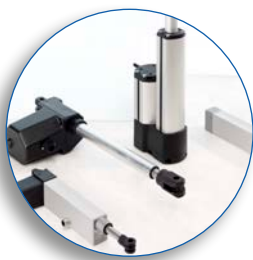
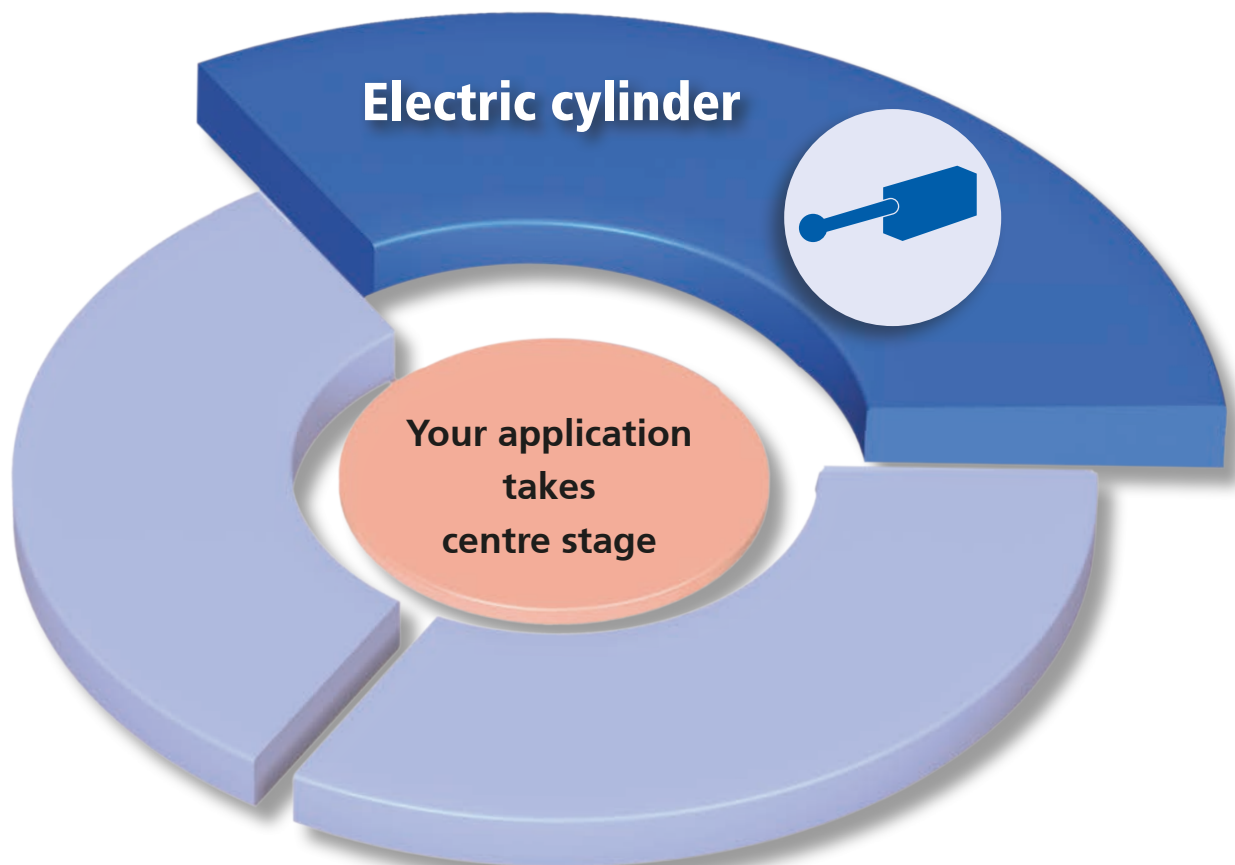
Type 6/Type 7



**\*Order instruction:**

The application example shown – internal profile mounted on Type 6 – is only in combination with an assembly plate possible (see page 99)

| Code No.  | Type | Max. load | Multilift II telescope |                  | Multilift II telescope ESD |                  |
|-----------|------|-----------|------------------------|------------------|----------------------------|------------------|
|           |      |           | Internal profile       | External profile | Internal profile           | External profile |
| QZD020252 | 1    | 1000 N    | ●                      |                  |                            |                  |
| QZD020253 | 2    | 1000 N    | ●                      |                  |                            |                  |
| QZD020254 | 3    | 1000 N    | ●                      |                  |                            |                  |
| QZD020255 | 4    | 1000 N    | ●                      |                  |                            |                  |
| QZD020256 | 6    | 3000 N    | ●*                     | ●                |                            |                  |
| QZD020257 | 7    | 3000 N    |                        |                  | ●*                         | ●                |



## Electric cylinders

are self-locking, which means that no power is supplied when at a standstill. This makes electric cylinders an interesting alternative to pneumatic and hydraulic actuators. Powerful DC motors, signal lines, potentiometers and Hall ICs for position sensing, and integrated limit switches thus respond to the most common requirements.



## Contents

---

E-Zylinder LZ60 S..... Page 106

E-Zylinder LZ60 P..... Page 116

You will find more electric cylinders in  
the General Catalogue PDF:  
**Linear Technology Lifting columns  
and electric cylinders**

# *Electric cylinder*



# Electric cylinder – Product selection

## Finding the right electric cylinder



Depending on technical and optical requirements, it takes just 2 steps to find the electric cylinder that matches your needs.  
Step 1 - Determine the type of electric cylinder.  
Step 2 - Choose the appropriate version.

### Step 1

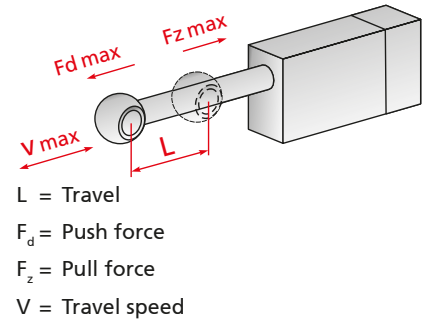


Select the electric cylinder on the right that meets your requirements.

### Step 2

For step 2, please refer to the relevant catalogue page.





## Cylinders performance class 2

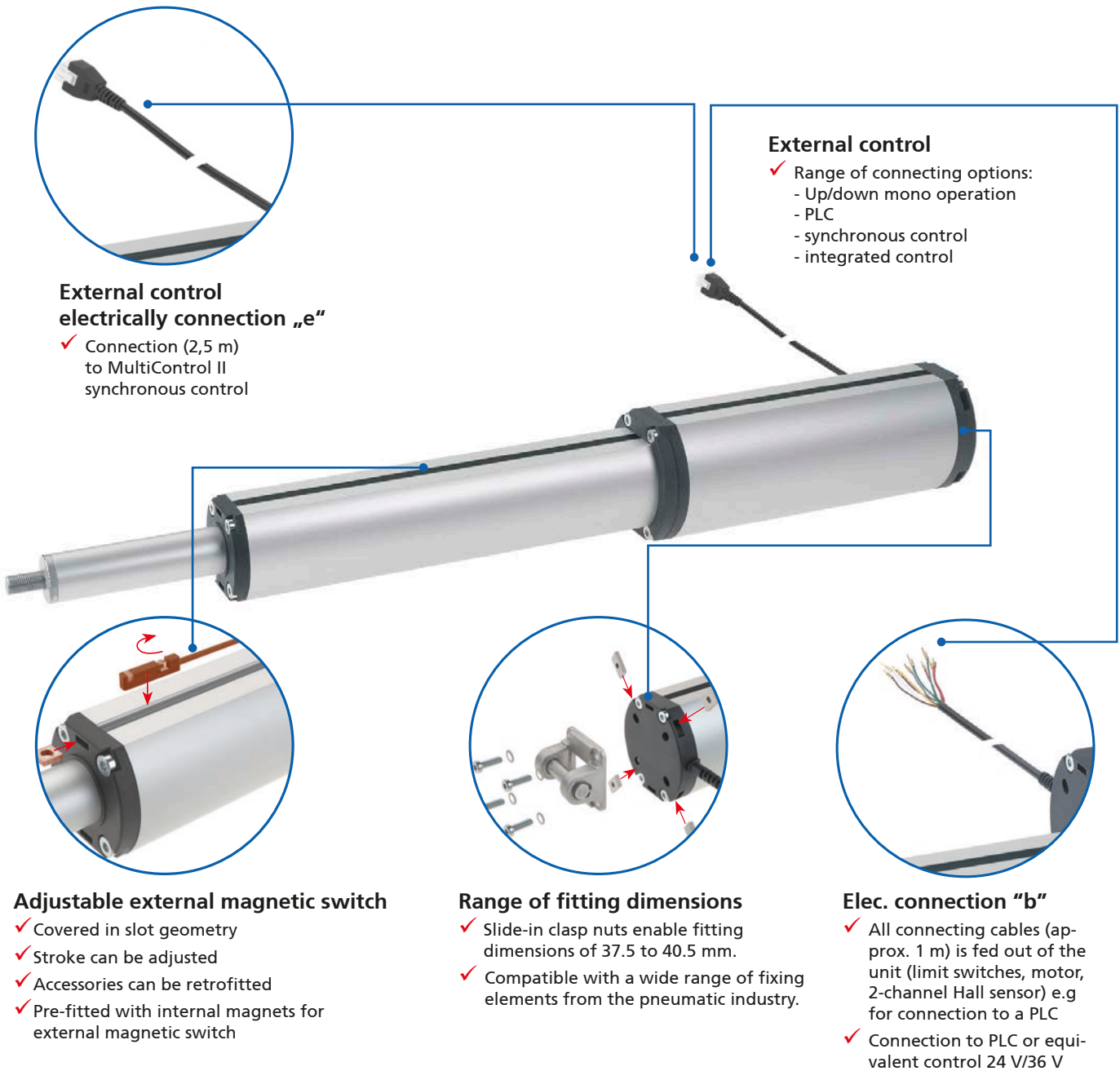


All data refer to standard sizes

| Features                                       | LZ 60 S<br>page 106                         | LZ 60 P<br>page 116                         |
|--|---|---|
| Max. travel                                    | 600 mm                                      | 600 mm                                      |
| Max. push force                                | 3000 N                                      | 4000 N                                      |
| Max. pull force                                | 3000 N                                      | 4000 N                                      |
| Max. travel speed                              | 18,5 mm/s                                   | 22 mm/s                                     |
| Current output                                 | 5,5 A                                       | 5,5 A                                       |
| Protection class                               | IP 54                                       | IP 54                                       |
| Integrated limit switch                        | •   | •   |
| Can be synchronised by means of control system | •   | •   |
| Fitted with signal contact                     | •   | •   |
| Features                                       | ✓ Ideally suited to industrial applications | ✓ Ideally suited to industrial applications |

# LZ 60 S Electric cylinder

The industrial design complete system with push/pull forces up to 3000 N.



### External control electrically connection „e“

- ✓ Connection (2,5 m) to MultiControl II synchronous control

### External control

- ✓ Range of connecting options:
  - Up/down mono operation
  - PLC
  - synchronous control
  - integrated control

### Adjustable external magnetic switch

- ✓ Covered in slot geometry
- ✓ Stroke can be adjusted
- ✓ Accessories can be retrofitted
- ✓ Pre-fitted with internal magnets for external magnetic switch

### Range of fitting dimensions

- ✓ Slide-in clasp nuts enable fitting dimensions of 37.5 to 40.5 mm.
- ✓ Compatible with a wide range of fixing elements from the pneumatic industry.

### Elec. connection “b”

- ✓ All connecting cables (approx. 1 m) is fed out of the unit (limit switches, motor, 2-channel Hall sensor) e.g for connection to a PLC
- ✓ Connection to PLC or equivalent control 24 V/36 V

### Highlights / Features:

- Integrated DC drive
- Flexible use of space due to different motor installation options: parallel (LZ 60 P) or rod shaped (LZ 60 S)
- Coverable slot geometry on both sides supports a range of fixing options
- Push rod with rotation locking
- Maintenance-free for up to 10,000 double strokes
- IP 54
- Self-locking

### Options:

- Special stroke lengths available on request

**Electric cylinder LZ 60 S – Table of contents**

|                           |                                 |   |
|---------------------------|---------------------------------|---|
| <p><b>Versions</b></p>    | <p><b>Electric cylinder</b></p> | <ul style="list-style-type: none"> <li>■ E-cylinder LZ60 S .....Page 109</li> </ul>                               |
| <p><b>Accessories</b></p> |                                 | <ul style="list-style-type: none"> <li>■ Fixing .....Page 112</li> <li>■ Magnetic switch .....Page 115</li> </ul> |

# LZ 60 S – Technical data

## General information/operating conditions

| Type                                      | LZ 60 S external control   | Custom  |
|---|--|---------|
| Design                                    | Linear cylinder with integrated DC motor   |         |
| Guide                                     | Double bearing via POM bushes  |         |
| Installation position                     | Any position/without shear forces/hanging only with drop protection provided by the customer |         |
| Push force                                | 3000 N or 750 N  |         |
| Pull force                                | 3000 N or 750 N  |         |
| Self-locking                              | Yes  |         |
| Max. travel speed                         | 4,5 mm/s or 50 mm/s  |         |
| Max. Hub                                  | 600 mm   | 1200 mm |
| Installation dimension                    | Stroke + 341 mm or Stroke + 356 mm   | 1383 mm |
| Voltage                                   | 24 to 36 V DC  |         |
| Current output                            | 3 A or 4 A   |         |
| Protection class                          | IP 54  |         |
| Ambient temperature                       | +5°C to +40°C  |         |
| Displacement during synchronous operation | 0 to 2 mm  |         |
| Duty cycle (Operation mode S3)            | At nominal load, 15% (1,5 min operating time, 8,5 mins rest time)                            |         |
| Repeatability                             | 0,5 mm   |         |
| Stroke tolerances                         | +0,5 mm / -2,5 mm  |         |

**Note:** RK Rose+Krieger GmbH cylinders are only designed for centric loads.

| Drive   | Push force [N] | Travel speed [mm/s] | Number of assigned motor channels |   |                        |             |
|---------|----------------|---------------------|-----------------------------------|---|------------------------|-------------|
|         |                |                     | 1                                 | 2 | 3                      | 4           |
| LZ 60 S | 750            | 18,5                | ✓                                 | ✓ | ✓                      | ✓           |
| LZ 60 S | 3000           | 4,5                 | ✓                                 | ✓ | ✓                      | each 2500 N |
|         |                |                     | MultiControl II duo               |   | MultiControl II quadro |             |

**Note:**

If more than 2 drives are to be operated synchronously at nominal load, BUS communication between two or more MultiControl II duo controllers is required.

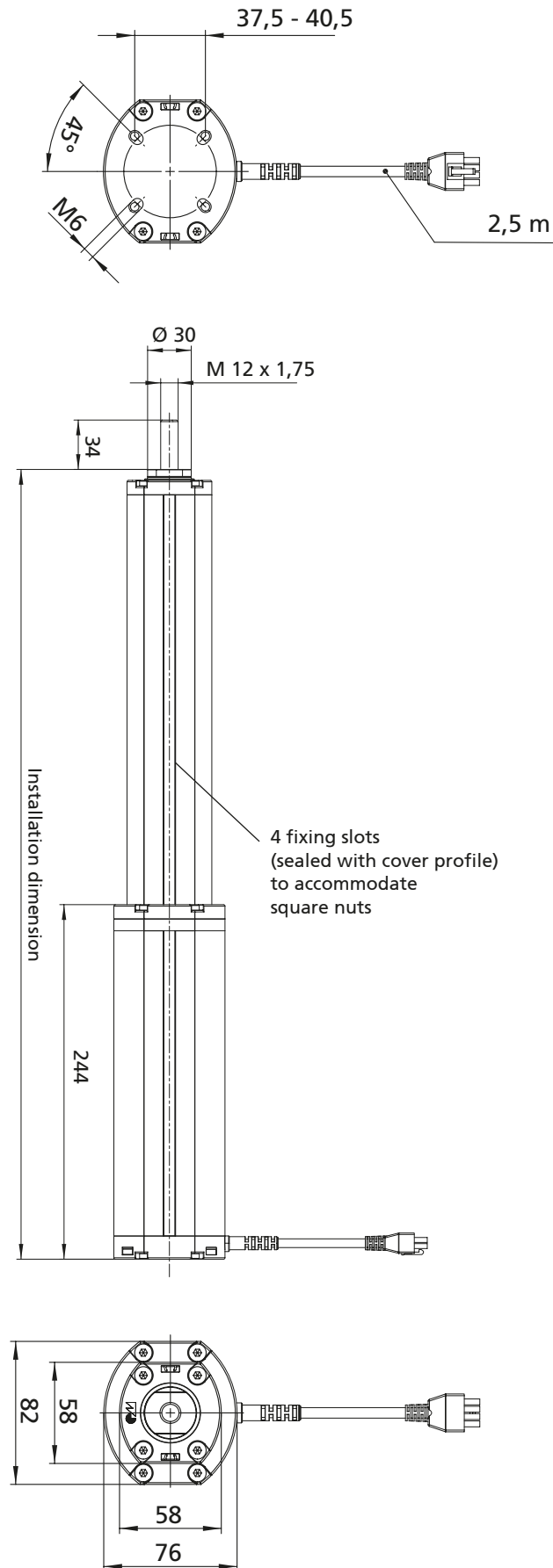
The necessary accessories can be found on page 146.

The procedure for setting up BUS communication is described in detail in the operating manual.





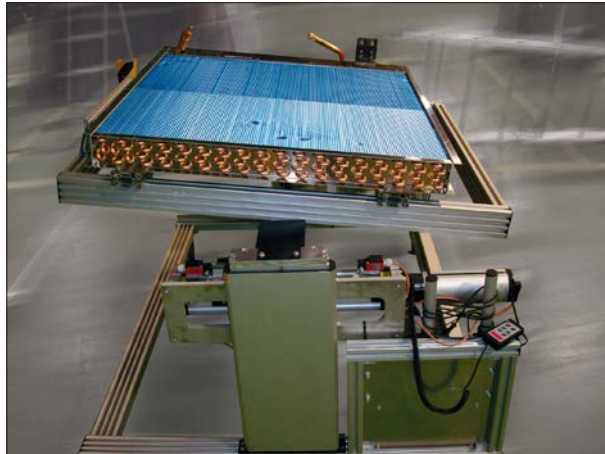
### LZ 60 S – Version



# LZ 60 S – Technical data

## LZ 60 S linear cylinder – highly versatile use

The LZ 60 series does not just impress with high functionality and high power density, but also with its attractive design. The side slots and the versatile accessories facilitate simple connection in accordance with the customer's requirements. The maximum stroke is 600 mm with a maximum lifting force of up to 3000 N per drive.

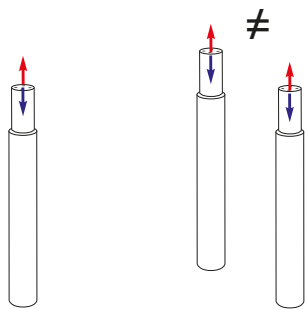


### Special features:

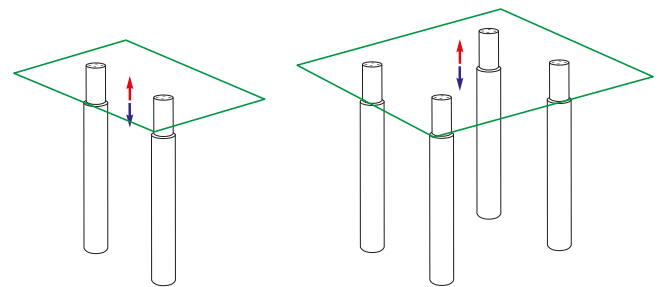
- High functionality
- High power density
- Attractive design

### Special features:

- ✓ Precise industrial applications with compact design which require a high power density



1-2 LZ 60 in single or parallel operation



2-4 LZ 60 in synchronous operation

## Parallel operation

The premium version of the MultiControl II quadro has drive group management. Alongside synchronous and stand-alone operation, this also allows the following drive combinations to run parallel (1+1, 1+2, 2+1, 2+2).

## Synchronous operation

Synchronous operation of two or more drives. In conjunction with the integrated sensors, the control (see page 122) ensures synchronisation, and thus constant alignment of all the drives in both directions of travel, even if subject to different loads. The synchronous operation tolerance depends on the lifting speed and is max. 1.5 mm for the 8 mm/s version and max. 3 mm for the 25/32 mm version. A memory function is also available.

**Version for external control with open motor cable / incremental position sensor / limit switch**

| Code No.        | Type    | Max. force<br>F [N] | max. travel speed [mm/s]<br>24 V DC | max. travel speed [mm/s]<br>36 V DC |
|-----------------|---------|---------------------|-------------------------------------|-------------------------------------|
| QKI00AG0B0_ _ _ | LZ 60 S | 750                 | 36                                  | 45                                  |
| QKI00AB0B0_ _ _ | LZ 60 S | 3000                | 9                                   | 12                                  |

 e.g. stroke [mm] = **2 0 2**

| Stroke* [mm] | Installation<br>dimension X [mm] | Weight [kg] |
|--------------|----------------------------------|-------------|
| 105          | 446.0                            | 2.9         |
| 150          | 491.0                            | 3.0         |
| 202          | 543.5                            | 3.2         |
| 255          | 596.0                            | 3.4         |
| 300          | 641.0                            | 3.6         |
| 352          | 708.5                            | 3.7         |
| 405          | 761.0                            | 3.9         |
| 450          | 806.0                            | 4.1         |
| 502          | 858.5                            | 4.3         |
| 555          | 911.0                            | 4.4         |
| 600          | 956.0                            | 4.6         |

**Version for external MultiControl II synchronous control**

| Code No.        | Type    | Max. force<br>F [N] | max. travel speed [mm/s]<br>28 V DC |
|-----------------|---------|---------------------|-------------------------------------|
| QKI00AG0E0_ _ _ | LZ 60 S | 750                 | 18,5                                |
| QKI00AB0E0_ _ _ | LZ 60 S | 3000                | 4,5                                 |

 e.g. stroke [mm] = **6 0 0**

\*Tolerance: +0.5mm / -2.5mm

**System components**

| Code No.             | Accessories   |
|----------------------|---|
| <b>Controls</b>      |   |
| QST30H12AA000        | MultiControl II duo - Basic                                     |
| QST30H12AA022        | MultiControl II duo - Premium                                   |
| QST30H14AA000        | MultiControl II quadro - Basic                                  |
| QST30H14AA022        | MultiControl II quadro - Premium                                |
| <b>Hand switches</b> |   |
| QZB11G07AV041        | Hand switch with 6 function keys and display – 1 m cable length |
| QZB11G07AB041        | Hand switch with 2 function keys – 1 m cable length             |
| QZD000074            | Hand switch drawer for hand switch with 6 and 2 function keys   |
| <b>IEC connector</b> |   |
| QZD070618            | IEC cable (Europe version, earthed plug)                        |

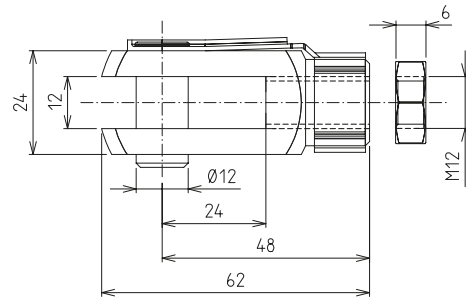
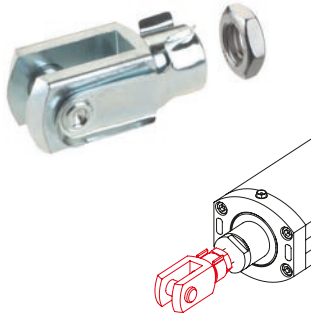
**Note:**

Further accessories (hand switches, connecting cables etc.) can be found in the chapter „Controls and accessories“ starting on page 126



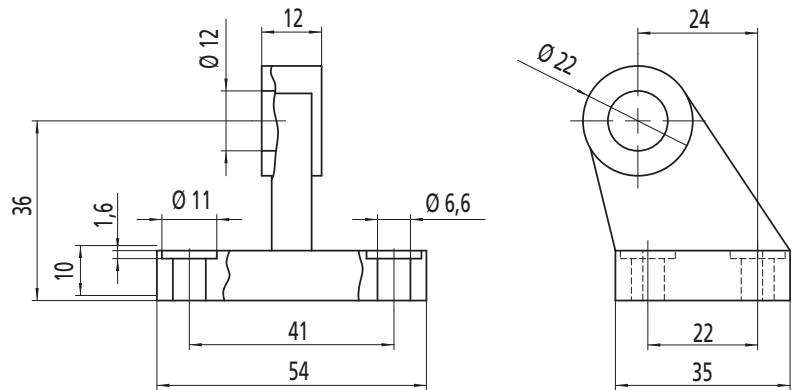
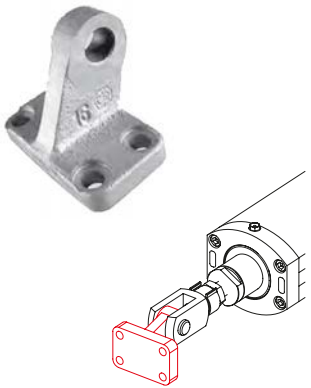
# LZ 60 S – Accessories

## Clevis



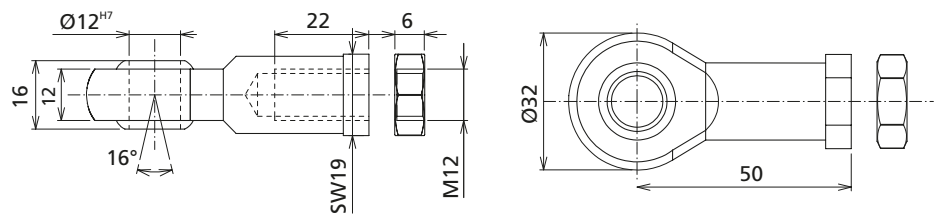
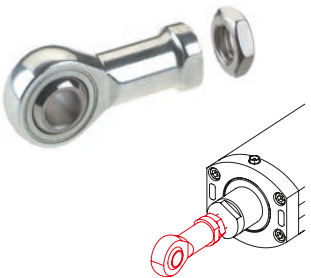
| Code No.  | Type       |
|-----------|------------|
| QZD050570 | Clevis M12 |

## Bearing block for clevis



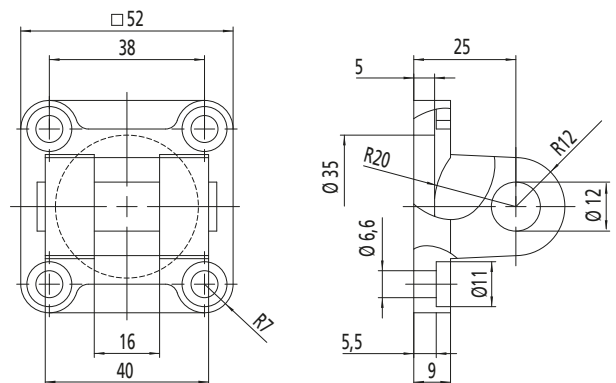
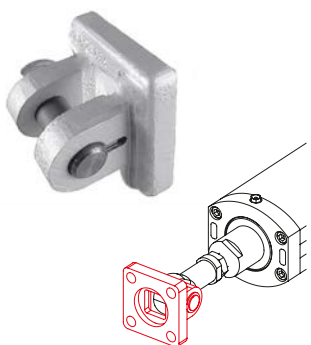
| Code No.  | Type                     |
|-----------|--------------------------|
| QZD050572 | LZ 60 Bearing block Ø 12 |

## Swivel head



| Code No.  | Type            |
|-----------|-----------------|
| QZD050574 | Swivel head M12 |

## Clevis mounting for swivel head

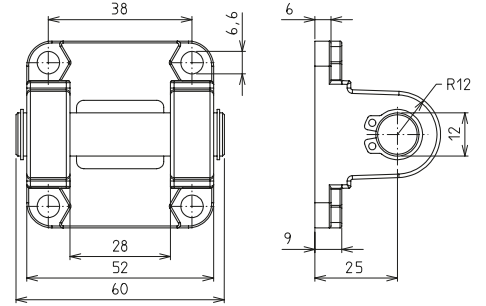
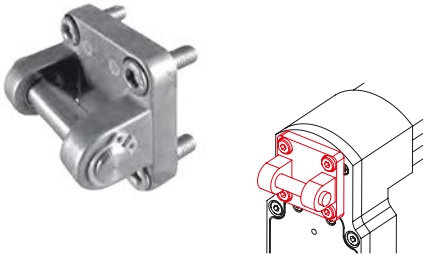


| Code No.  | Type                       |
|-----------|----------------------------|
| QZD050576 | LZ 60 Clevis mounting Ø 12 |



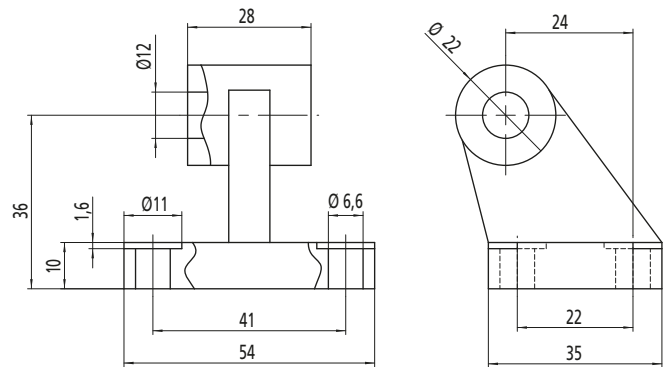
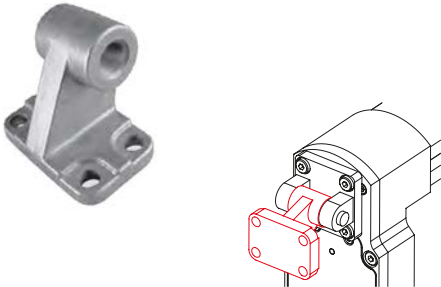
### LZ 60 S Fixing

### Swivel flange



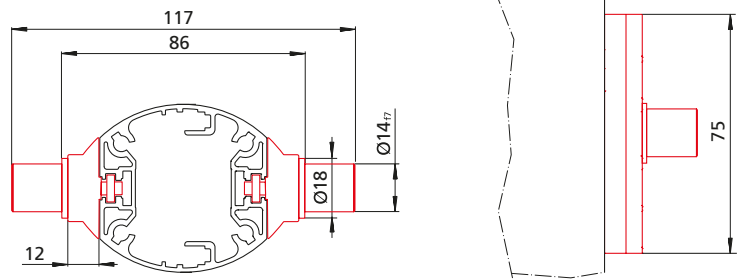
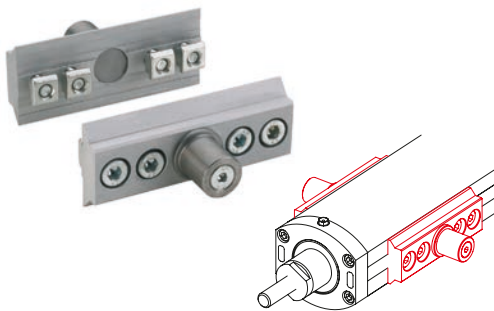
| Code No.  | Type               |
|-----------|--------------------|
| QZD050578 | Swivel flange Ø 12 |

### Bearing block for swivel flange



| Code No.  | Type                     |
|-----------|--------------------------|
| QZD050583 | LZ 60 Bearing block Ø 12 |

### Trunnion support blocks

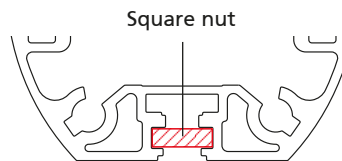


| Code No.  | Type                          |
|-----------|-------------------------------|
| QZD050586 | Trunnion support blocks LZ 60 |

### Order instruction square nut:

- Purchase only in lot sizes and a multiple of that, see product table below

### Square nut



■ The square nut enables the the attachment of fittings to the cylinder. Nuts can be slid into the lateral slots for this purpose.

| Code No.   | lot sizes         | Type                  |
|------------|-------------------|-----------------------|
| QZD0505971 | 10, 20, 30... pcs | Square nut M6, DIN562 |

# LZ 60 S – Accessories

## Axial adjustment

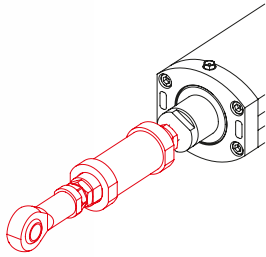


## Axial adjustment

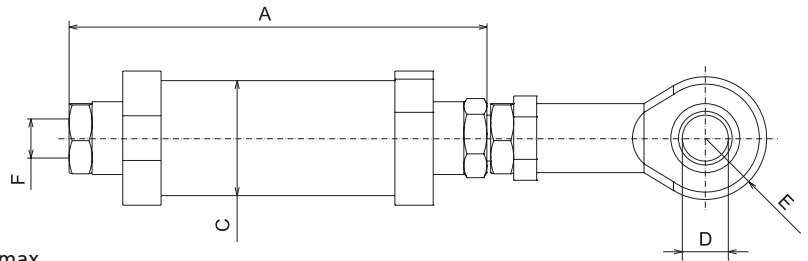
- ✓ Compensates manufacturing tolerances
- ✓ Compensates installation tolerances
- ✓ Length compensation -2 mm
- ✓ Reduces commissioning times

## Scope of delivery:

Axial adjustment, incl. swivel head as depicted



**Note:**  
Screw depth 15 mm max.



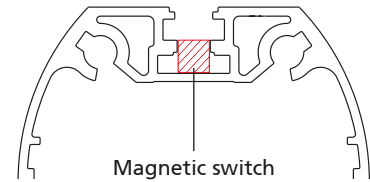
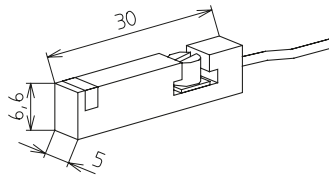
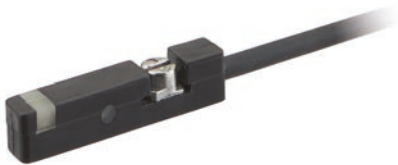
[mm]

| Code No.  | Load   | A     | C   | D   | E   | F   |
|-----------|--------|-------|-----|-----|-----|-----|
| QZD050590 | 600 N  | 102   | Ø30 | Ø12 | R16 | M12 |
| QZD050591 | 1000 N | 102   |     |     |     |     |
| QZD050592 | 2000 N | 103.5 |     |     |     |     |
| QZD050593 | 2500 N | 109   |     |     |     |     |
| QZD050594 | 3000 N | 107.5 |     |     |     |     |
| QZD050595 | 4000 N | 139.5 |     |     |     |     |



## Magnetic switch

- Signals from the magnetic switch can be collected and evaluated by a customer-provided control unit (such as a PLC).
- The switch can be retrofitted in the lateral slot (protected by a cover profile as standard)
- Magnets are already integrated in the cylinder as standard.



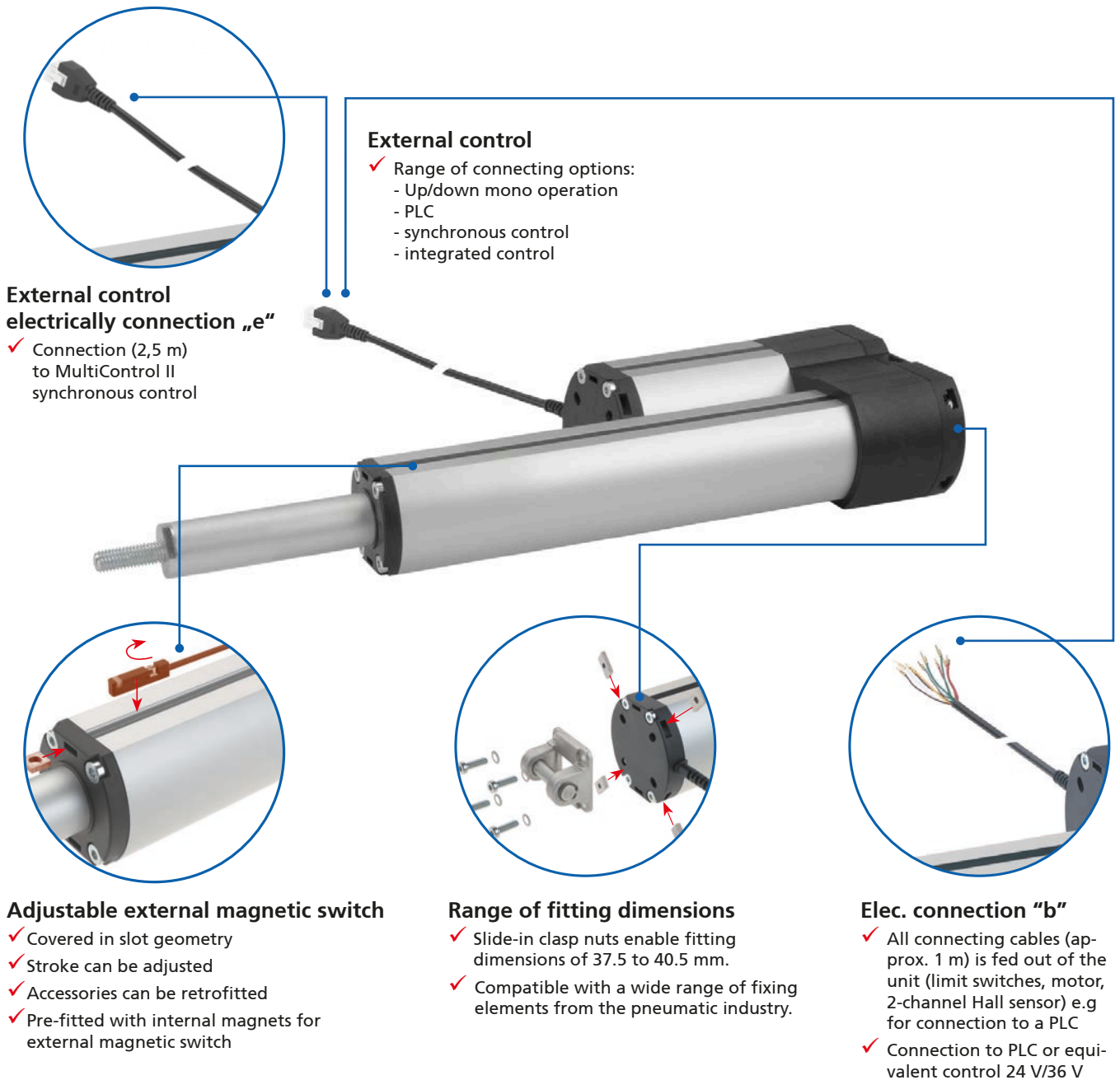
| Code No.  | Type  |
|-----------|---|
| QZD050598 | Magnetic switch, NO contact, cable length 6 m   |
| QZD050599 | Magnetic switch, NC contact, cable length 5.3 m |

## Magnetic switch – Technical data

|                     | NC contact     | NO contact     |
|---------------------|----------------|----------------|
| Voltage             | 10-30 V DC     | 5-30 V DC      |
| Current output      | < 10 mA        | < 10 mA        |
| Output current      | Max. 100 mA    | Max. 50 mA     |
| Output type         | PNP            | PNP            |
| Function indication | LED            | LED            |
| Ambient temperature | -25°C to +85°C | -20°C to +70°C |
| Protection class    | IP 67          | IP 68          |

# LZ 60 P Electric cylinder

The industrial design complete system with push/pull forces up to 4000 N.



## Highlights / Features:

- Integrated DC drive
- Flexible use of space due to different motor installation options: parallel (LZ 60 P) or rod shaped (LZ 60 S)
- Coverable slot geometry on both sides supports a range of fixing options
- Push rod with rotation locking
- Maintenance-free for up to 10,000 double strokes
- IP 54
- Self-locking

## Options:

- Special stroke lengths available on request

**Electric cylinder LZ 60 P – Table of contents**

|                           |                                 |   |
|---------------------------|---------------------------------|---|
| <p><b>Versions</b></p>    | <p><b>Electric cylinder</b></p> | <ul style="list-style-type: none"> <li>■ E-cylinder LZ60 P .....Page 120</li> </ul>                               |
| <p><b>Accessories</b></p> |                                 | <ul style="list-style-type: none"> <li>■ Fixing .....Page 122</li> <li>■ Magnetic switch .....Page 125</li> </ul> |

# LZ 60 P – Technical data

## General information/operating conditions

| Type                                      | LZ 60 P external control   | Custom  |
|---|--|---------|
| Design                                    | Linear cylinder with integrated DC motor   |         |
| Guide                                     | Double bearing via POM bushes  |         |
| Installation position                     | Any position/without shear forces/hanging only with drop protection provided by the customer |         |
| Push force                                | Up to 4000 N   |         |
| Pull force                                | Up to 4000 N   |         |
| Self-locking                              | Yes  |         |
| Max. travel speed                         | Up to 50 mm/s  |         |
| Max. Hub                                  | 600 mm   | 1200 mm |
| Installation dimension                    | Stroke + 168,5 mm or Stroke + 184 mm   | 1383 mm |
| Voltage                                   | 24 to 36 V DC  |         |
| Current output                            | 3 A or 4 A   |         |
| Protection class                          | IP 54  |         |
| Ambient temperature                       | +5°C to +40°C  |         |
| Displacement during synchronous operation | 0 to 2 mm  |         |
| Duty cycle (Operation mode S3)            | At nominal load, 15% (1,5 min operating time, 8,5 mins rest time)                            |         |
| Repeatability                             | 0,5 mm   |         |
| Stroke tolerances                         | +0,5 mm / -2,5 mm  |         |

**Note:** RK Rose+Krieger GmbH cylinders are only designed for centric loads.

| Drive   | Push force [N] | Travel speed [mm/s] | Number of assigned motor channels |   |                        |             |
|---------|----------------|---------------------|-----------------------------------|---|------------------------|-------------|
|         |                |                     | 1                                 | 2 | 3                      | 4           |
| LZ 60 P | 2000           | 11                  | ✓                                 | ✓ | each 1300 N            | each 1000 N |
| LZ 60 P | 3000           | 5,5                 | ✓                                 | ✓ | each 2100 N            | each 1500 N |
| LZ 60 P | 4000           | 3                   | ✓                                 | ✓ | each 3100 N            | each 2500 N |
|         |                |                     | MultiControl II duo               |   | MultiControl II quadro |             |

**Note:**

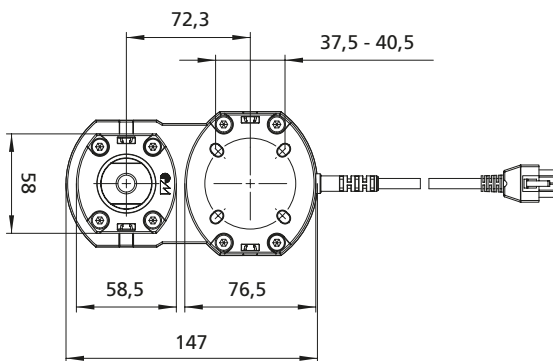
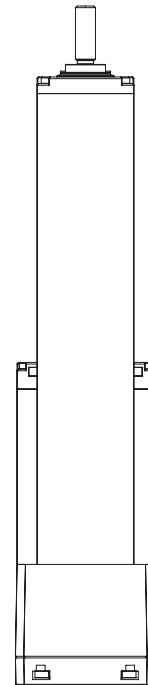
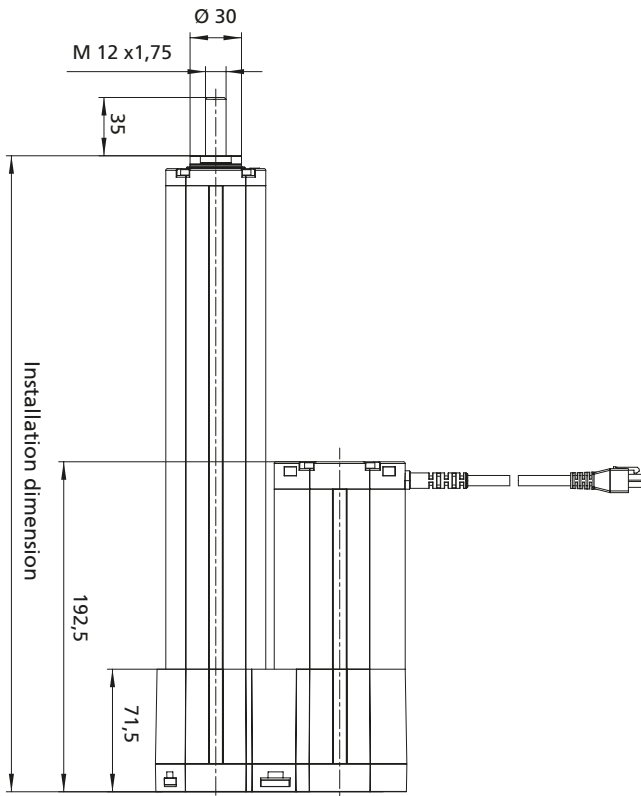
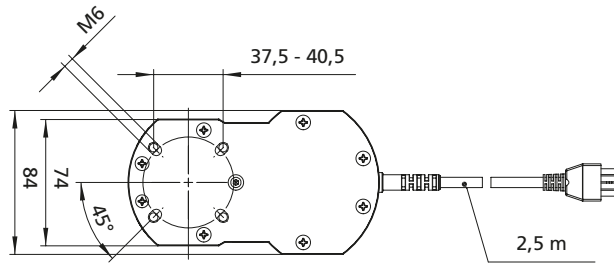
If more than 2 drives are to be operated synchronously at nominal load, BUS communication between two or more MultiControl II duo controllers is required.

The necessary accessories can be found on page 146.

The procedure for setting up BUS communication is described in detail in the operating manual.



**LZ 60 P – Version**





# LZ 60 P – Technical data

## LZ 60 S linear cylinder – highly versatile use

The LZ 60 series does not just impress with high functionality and high power density, but also with its attractive design. The side slots and the versatile accessories facilitate simple connection in accordance with the customer's requirements. The maximum stroke is 600 mm with a maximum lifting force of up to 4000 N per drive.

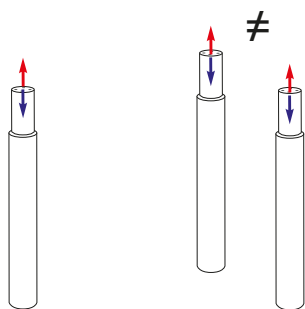


### Special features:

- High functionality
- High power density
- Attractive design

### Ideal areas of application:

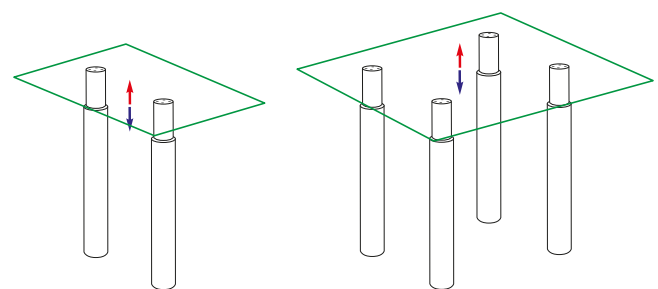
- ✓ Precise industrial applications with compact design which require a high power density



1-2 LZ 60 in single or parallel operation

### Parallel operation

The premium version of the MultiControl II quadro has drive group management. Alongside synchronous and stand-alone operation, this also allows the following drive combinations to run parallel (1+1, 1+2, 2+1, 2+2).



2-4 LZ 60 in synchronous operation

### Synchronous operation

Synchronous operation of two or more drives. In conjunction with the integrated sensors, the control (see page 122) ensures synchronisation, and thus constant alignment of all the drives in both directions of travel, even if subject to different loads. The synchronous operation tolerance depends on the lifting speed and is max. 1.5 mm for the 8 mm/s version and max. 3 mm for the 25/32 mm version. A memory function is also available.

**Version for external control with open motor cable / incremental position sensor / limit switch**

| Code No.        | Type    | Max. force<br>F [N] | max. travel speed [mm/s]<br>24 V DC | max. travel speed [mm/s]<br>36 V DC |
|-----------------|---------|---------------------|-------------------------------------|-------------------------------------|
| QKX00AB0B0_ _ _ | LZ 60 P | 2000                | 22                                  | 28                                  |
| QKX00AE0B0_ _ _ | LZ 60 P | 3000                | 12                                  | 15                                  |
| QKX00AF0B0      | LZ 60 P | 4000                | 6                                   | 9                                   |

e.g. stroke [mm] = **2 0 2**

| Stroke* [mm] | Installation<br>dimension X [mm] | Weight [kg] |
|--------------|----------------------------------|-------------|
| 105          | 273.5                            | 3.7         |
| 150          | 318.5                            | 3.8         |
| 202          | 371.0                            | 4.0         |
| 255          | 423.5                            | 4.2         |
| 300          | 468.5                            | 4.4         |
| 352          | 536.0                            | 4.5         |
| 405          | 588.5                            | 4.7         |
| 450          | 633.5                            | 4.9         |
| 502          | 686.0                            | 5.1         |
| 555          | 738.5                            | 5.2         |
| 600          | 783.5                            | 5.4         |

**Version for external MultiControl II synchronous control**

| Code No.        | Type    | Max. force<br>F [N] | max. travel speed [mm/s]<br>28 V DC |
|-----------------|---------|---------------------|-------------------------------------|
| QKX00AB0E0_ _ _ | LZ 60 P | 2000                | 11                                  |
| QKX00AE0E0_ _ _ | LZ 60 P | 3000                | 5,5                                 |
| QKX00AF0E0      | LZ 60 P | 4000                | 3                                   |

e.g. stroke [mm] = **6 0 0**

\*Tolerance: +0.5mm / -2.5mm

**System components**

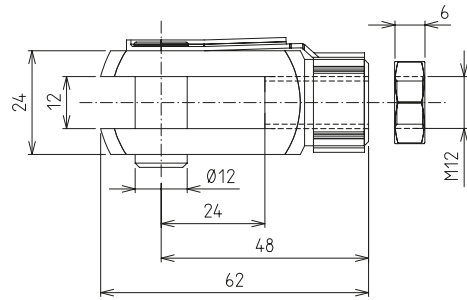
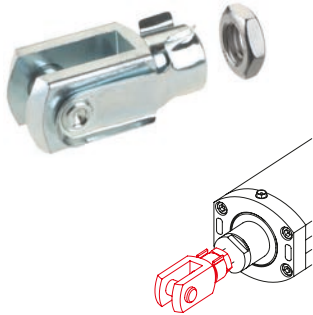
| Code No.             | Accessories   |         |
|----------------------|---|---------|
| <b>Controls</b>      |   |         |
| QST30H12AA000        | MultiControl II duo - Basic                                     | LZ 60 P |
| QST30H12AA022        | MultiControl II duo - Premium                                   |         |
| QST30H14AA000        | MultiControl II quadro - Basic                                  | LZ 60 P |
| QST30H14AA022        | MultiControl II quadro - Premium                                |         |
| <b>Hand switches</b> |   |         |
| QZB11G07AV041        | Hand switch with 6 function keys and display – 1 m cable length |         |
| QZB11G07AB041        | Hand switch with 2 function keys – 1 m cable length             |         |
| QZD000074            | Hand switch drawer for hand switch with 6 and 2 function keys   |         |
| <b>IEC connector</b> |   |         |
| QZD070618            | IEC cable (Europe version, earthed plug)                        |         |

**Note:**

Further accessories (hand switches, connecting cables etc.) can be found in the chapter „Controls and accessories“ starting on page 126

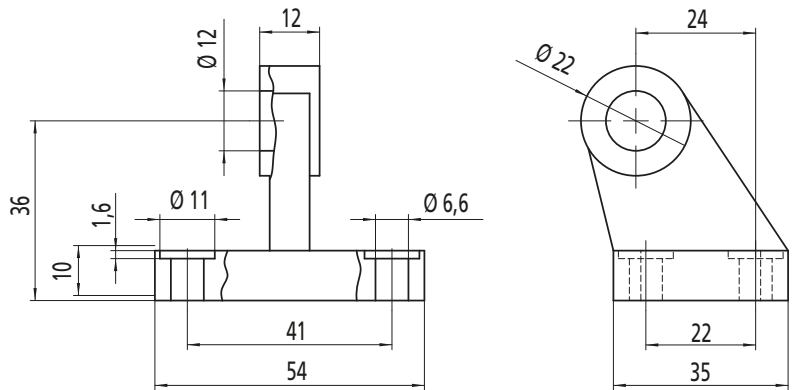
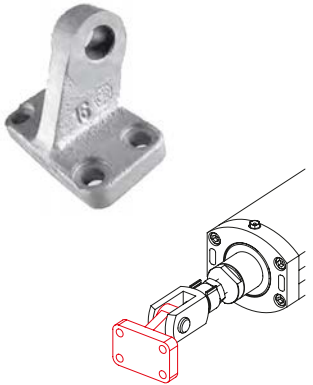
# LZ 60 P – Accessories

## Clevis



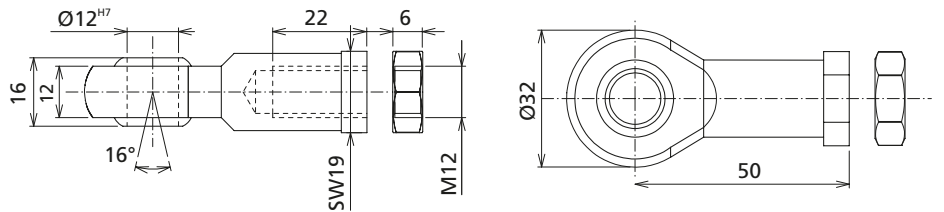
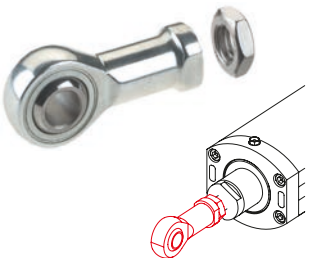
| Code No.  | Type       |
|-----------|------------|
| QZD050570 | Clevis M12 |

## Bearing block for clevis



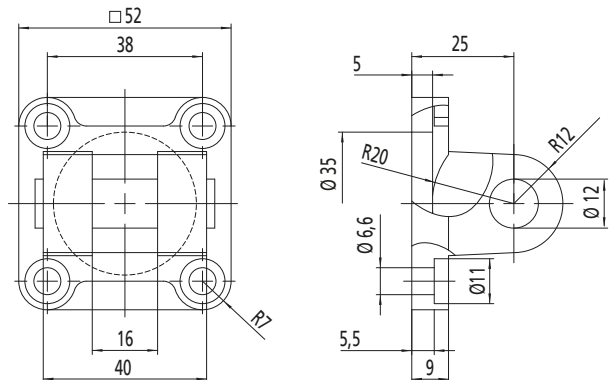
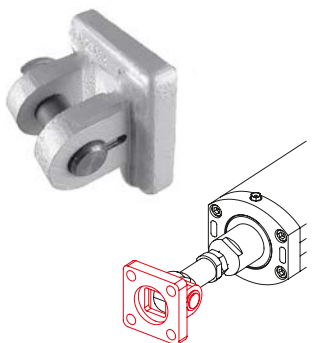
| Code No.  | Type                    |
|-----------|-------------------------|
| QZD050572 | LZ 60 Bearing block Ø12 |

## Swivel head



| Code No.  | Type            |
|-----------|-----------------|
| QZD050574 | Swivel head M12 |

## Clevis mounting for swivel head

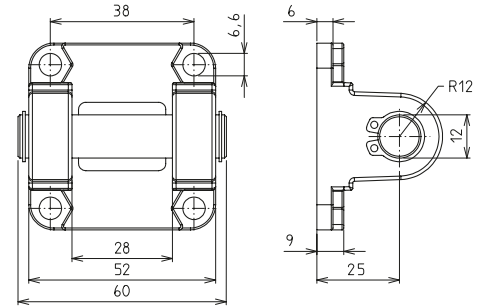
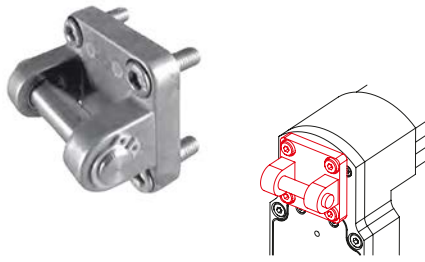


| Code No.  | Type                      |
|-----------|---------------------------|
| QZD050576 | LZ 60 Clevis mounting Ø12 |



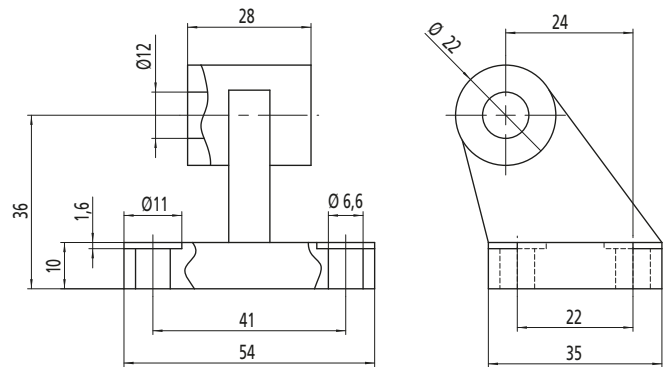
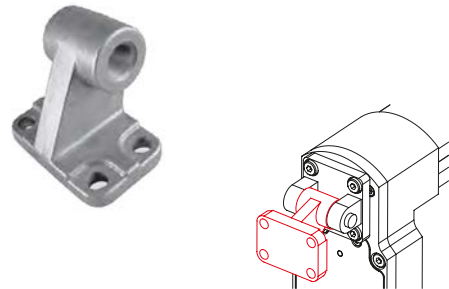
### LZ 60 P Fixing

### Swivel flange



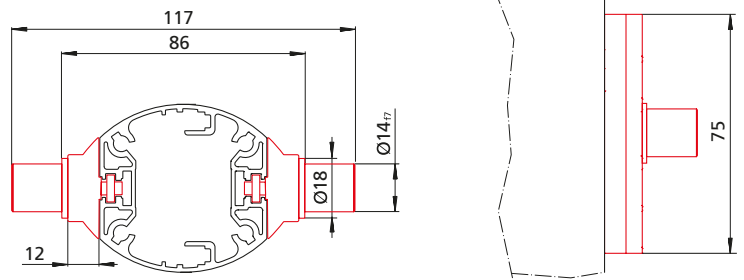
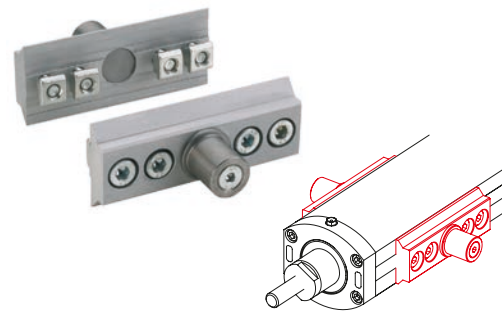
| Code No.  | Type               |
|-----------|--------------------|
| QZD050578 | Swivel flange Ø 12 |

### Bearing block for swivel flange



| Code No.  | Type                     |
|-----------|--------------------------|
| QZD050583 | LZ 60 Bearing block Ø 12 |

### Trunnion support blocks

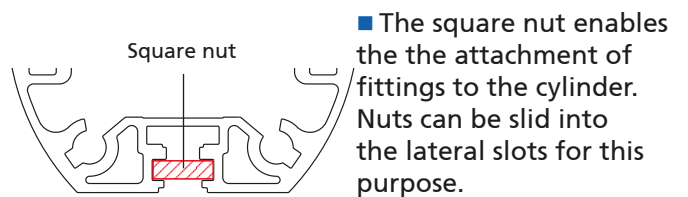


| Code No.  | Type                          |
|-----------|-------------------------------|
| QZD050586 | Trunnion support blocks LZ 60 |

### Order instruction square nut:

- Purchase only in lot sizes and a multiple of that, see product table below

### Square nut



| Code No.   | lot sizes         | Type                  |
|------------|-------------------|-----------------------|
| QZD0505971 | 10, 20, 30... pcs | Square nut M6, DIN562 |

# LZ 60 P – Accessories

## Axial adjustment

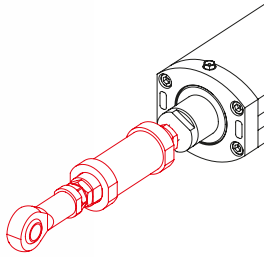


## Axial adjustment

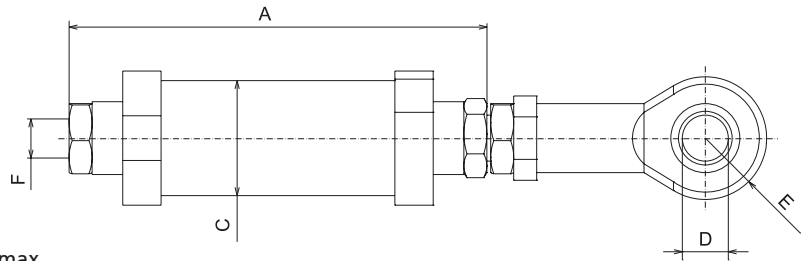
- ✓ Compensates manufacturing tolerances
- ✓ Compensates installation tolerances
- ✓ Length compensation -2 mm
- ✓ Reduces commissioning times

## Scope of delivery:

Axial adjustment, incl. swivel head as depicted



**Note:**  
Screw depth 15 mm max.



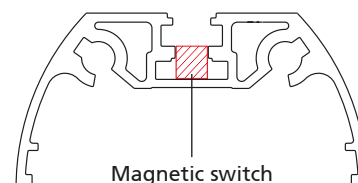
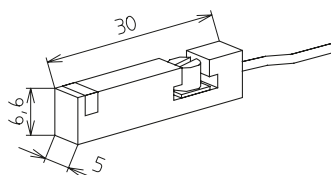
[mm]

| Code No.  | Load   | A     | C   | D   | E   | F   |
|-----------|--------|-------|-----|-----|-----|-----|
| QZD050590 | 600 N  | 102   | Ø30 | Ø12 | R16 | M12 |
| QZD050591 | 1000 N | 102   |     |     |     |     |
| QZD050592 | 2000 N | 103.5 |     |     |     |     |
| QZD050593 | 2500 N | 109   |     |     |     |     |
| QZD050594 | 3000 N | 107.5 |     |     |     |     |
| QZD050595 | 4000 N | 139.5 |     |     |     |     |



## Magnetic switch

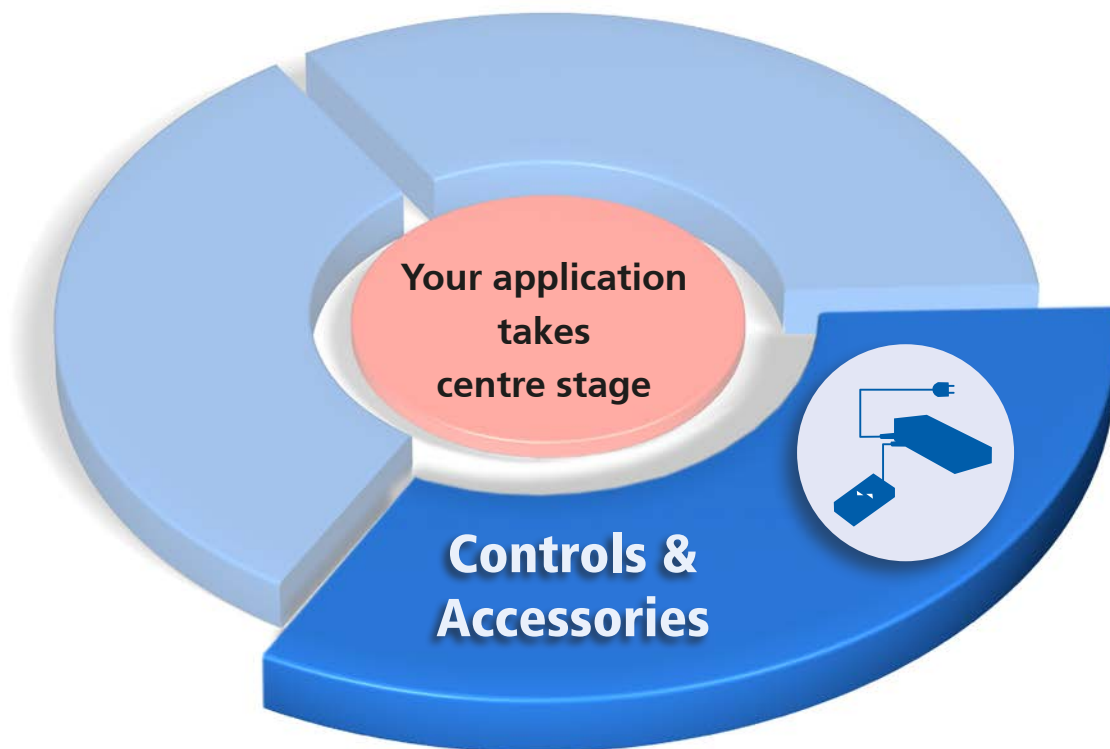
- Signals from the magnetic switch can be collected and evaluated by a customer-provided control unit (such as a PLC).
- The switch can be retrofitted in the lateral slot (protected by a cover profile as standard)
- Magnets are already integrated in the cylinder as standard.



| Code No.  | Type  |
|-----------|---|
| QZD050598 | Magnetic switch, NO contact, cable length 6 m   |
| QZD050599 | Magnetic switch, NC contact, cable length 5.3 m |

## Magnetic switch – Technical data

|                     | NC contact     | NO contact     |
|---------------------|----------------|----------------|
| Voltage             | 10-30 V DC     | 5-30 V DC      |
| Current output      | < 10 mA        | < 10 mA        |
| Output current      | Max. 100 mA    | Max. 50 mA     |
| Output type         | PNP            | PNP            |
| Function indication | LED            | LED            |
| Ambient temperature | -25°C to +85°C | -20°C to +70°C |
| Protection class    | IP 67          | IP 68          |



## Controls & Accessories

RK Rose+Krieger has redesigned its controllers specifically for the Multilift II range of lifting columns. The result is the MultiControl II, which is available in „duo“ and „quadro“ configurations, each in the three versions, Basic, Premium and Premium Customized. The controller has many unique features, including a high-performance, energy-efficient switched power supply and a wide-range input for worldwide use. It also offers a considerably greater duty cycle than comparable products, a hand switch with graphics-capable display for intuitive operation and backward compatibility with the successful Multilift I lifting columns.

Even the basic version has numerous innovative software functions, such as dynamic duty cycle calculation, temperature monitoring and visual status indication.

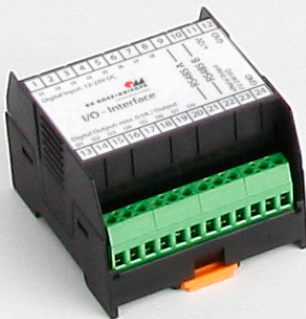
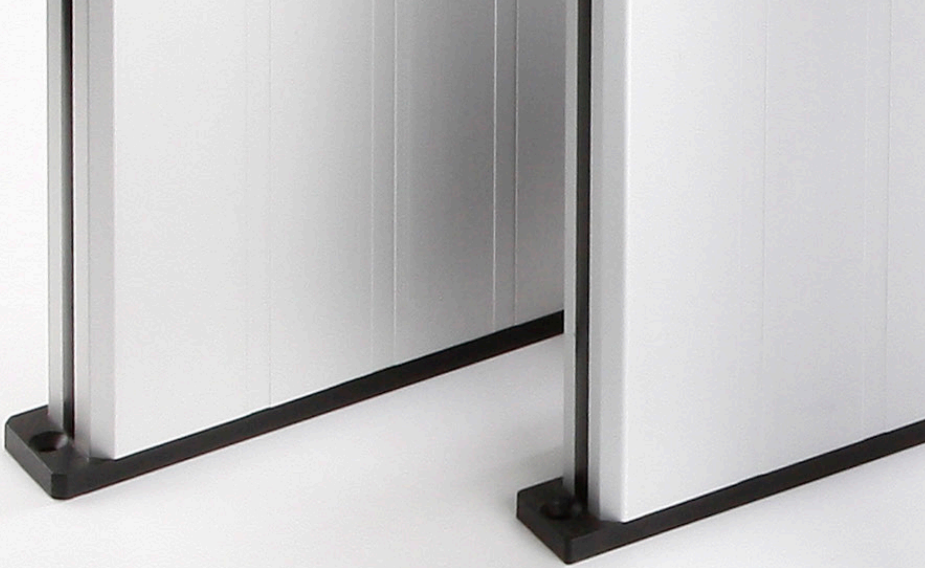
The premium version of the MultiControl II duo has additional software functions, such as integrated „Smart Product Protection (SPP)“ collision detection plus absolute and relative positioning. The MultiControl II quadro also features drive group management.

On request, we can also supply the MultiControl II with customised programming as the Premium Customized version.





**RK ROSE+KRIEGER**



## Contents

---

|                              |          |
|------------------------------|----------|
| MultiControl II duo .....    | Page 130 |
| MultiControl II quadro ..... | Page 138 |
| Accessories .....            | Page 146 |
| I/O - Interface .....        | Page 152 |
| Compact-e-3-EU.....          | Page 158 |

# *Controls & Accessories*



# Controls

## MultiControl II duo



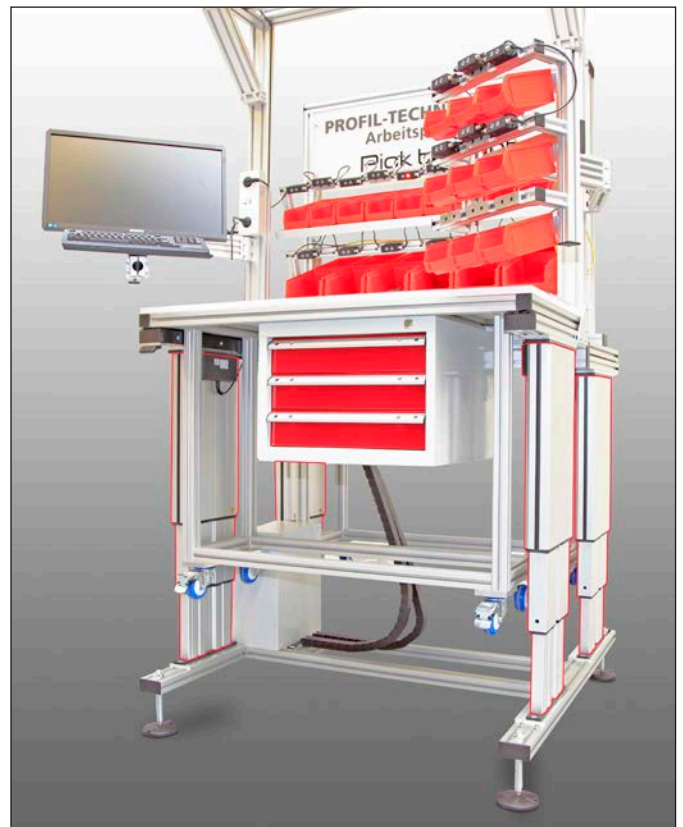
Synchronous control for up to **2 drives**  
(16 in bus combination)

## MultiControl II quadro



Synchronous control for up to **4 drives**  
(32 in bus combination)

The MultiControl II duo and MultiControl II quadro each have a 10 A power output. If the drives require more than **10 amps** for the particular application, multiple MultiControl II duo controls have to be used in a bus combination. The necessary accessories can be found on page „MultiControl II – Accessories“ on page 146. The procedure for setting up BUS communication is described in detail in the operating manual.



| Drive             |                             | Push force [N] | Travel speed [mm/s] | Custom |   |             |             |
|-------------------|-----------------------------|----------------|---------------------|--------|---|-------------|-------------|
|                   |                             |                |                     | 1      | 2 | 3           | 4           |
| Lifting columns   | RK Slimlift                 | 1000           | 19                  | ✓      | ✓ | each 500 N  | each 300 N  |
|                   | RK Slimlift                 | 4000           | 5                   | ✓      | ✓ | each 3500 N | each 2000 N |
|                   | RK Slimlift EM              | 1000           | 15                  | ✓      | ✓ | each 900 N  | each 600 N  |
|                   | Multilift                   | 1000           | 13                  | ✓      | ✓ | ✓           | each 750 N  |
|                   | Multilift                   | 3000           | 6                   | ✓      | ✓ | each 2200 N | each 1500 N |
|                   | Multilift interior carriage | 1000           | 13                  | ✓      | ✓ | ✓           | each 750 N  |
|                   | Multilift interior carriage | 3000           | 6                   | ✓      | ✓ | each 2200 N | each 1500 N |
|                   | Multilift II                | 1000           | 16                  | ✓      | ✓ | ✓           | each 750 N  |
|                   | Multilift II                | 3000           | 8                   | ✓      | ✓ | each 2200 N | each 1500 N |
|                   | Multilift II safety         | 600            | 16                  | ✓      | – | –           | –           |
|                   | Powerlift M                 | 1500           | 10                  | ✓      | ✓ | each 1300 N | each 500 N  |
|                   | Powerlift M                 | 3000           | 7                   | ✓      | ✓ | each 1600 N | each 1000 N |
|                   | Multilift II telescope      | 1000           | 16                  | ✓      | ✓ | each 850 N  | each 500 N  |
|                   | Multilift II telescope      | 3000           | 8                   | ✓      | ✓ | each 1800 N | each 1000 N |
| Electric cylinder | LZ 60 S                     | 750            | 18,5                | ✓      | ✓ | ✓           | ✓           |
|                   | LZ 60 S                     | 3000           | 4,5                 | ✓      | ✓ | ✓           | each 2500 N |
|                   | LZ 60 P                     | 2000           | 11                  | ✓      | ✓ | each 1300 N | each 1000 N |
|                   | LZ 60 P                     | 3000           | 5,5                 | ✓      | ✓ | each 2100 N | each 1500 N |
|                   | LZ 60 P                     | 4000           | 3                   | ✓      | ✓ | each 3100 N | each 2500 N |

MultiControl II duo

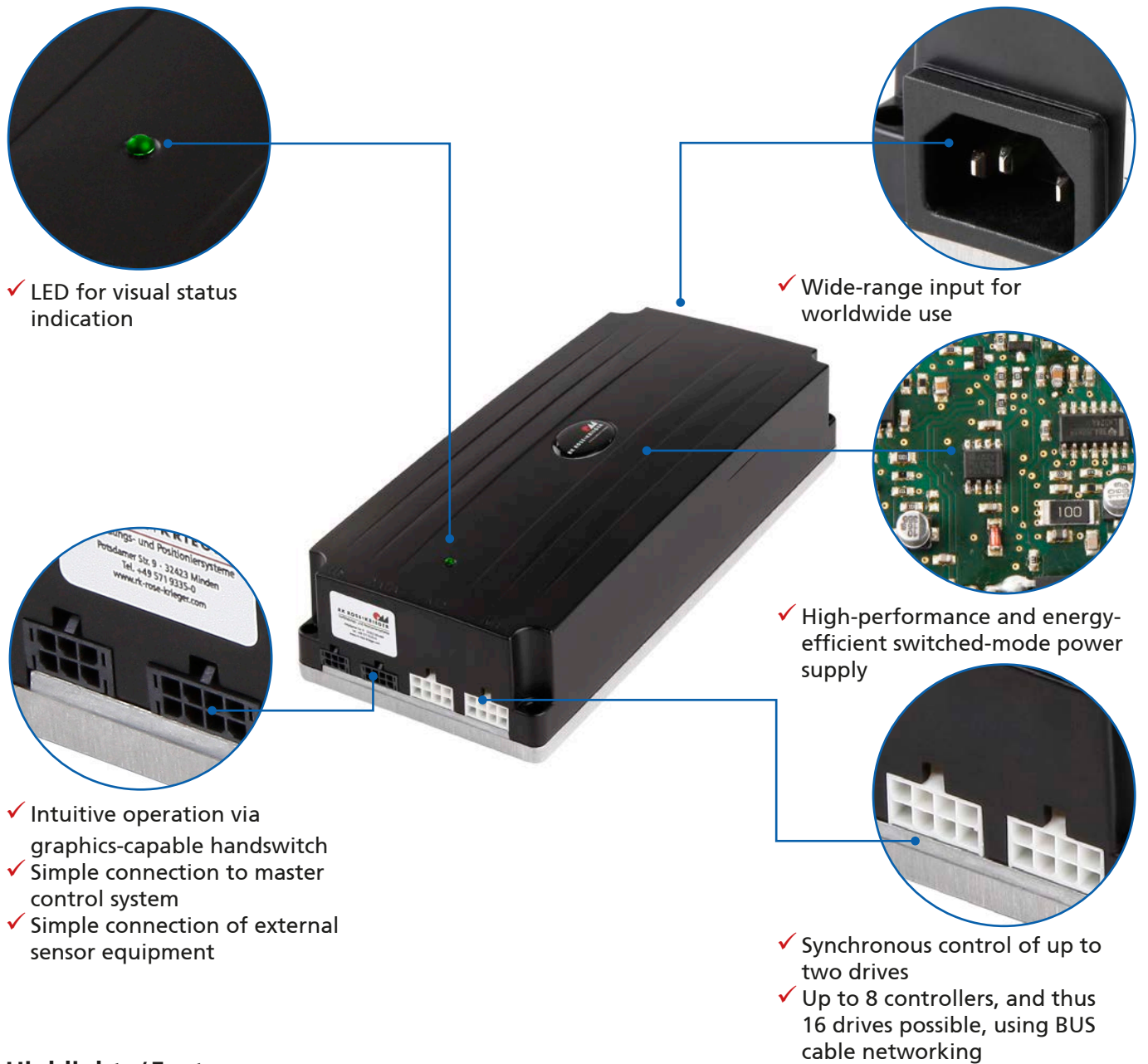
MultiControl II quadro

**Note:**

If more than 2 drives are to be operated synchronously at nominal load, BUS communication between two or more MultiControl II duo controllers is required.

The required accessories can be found on page 146. The procedure for setting up BUS communication is described in detail in the operating manual.

# MultiControl II duo



✓ LED for visual status indication

✓ Wide-range input for worldwide use

- ✓ Intuitive operation via graphics-capable handswitch
- ✓ Simple connection to master control system
- ✓ Simple connection of external sensor equipment

✓ High-performance and energy-efficient switched-mode power supply

- ✓ Synchronous control of up to two drives
- ✓ Up to 8 controllers, and thus 16 drives possible, using BUS cable networking

## Highlights / Features:

- Dynamic duty cycle calculation
- Duty cycle, overcurrent and temperature monitoring for overload protection as standard
- Intuitive operation thanks to hand switch with graphics-capable display
- The hand switch with 6 function keys can be used to perform multiple functions, such as the storage of intermediate positions or user changeovers
- Simple connection to the master control system level using serial interface (RS-485) and standardised bus protocol (Modbus RTU)
- Energy-efficient overall system (control incl. hand switch) thanks to switched-mode power supply with wide-range input (standby consumption <0.5 watts)
- Controller available in Basic and Premium versions
- Certified control according to NRTL (UL 61010-1; CAN/CSA C22.2 No. 61010-1) and FCC Part 15

## Option:

- Special functions available on request
- CB report as per 61010-1
- Versions as per DNV GL (e.g. CG 0339)
- High-performance version on request



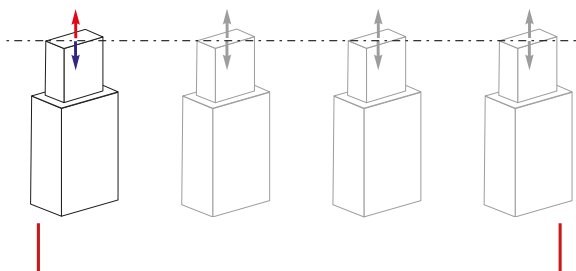
## MultiControl II duo – Table of contents

|  |   |
|--|---|
| <p><b>Controls</b></p> <p><b>MultiControl II duo</b></p> | <ul style="list-style-type: none"> <li>■ General information ..... Page 132</li> <li>■ MultiControl II duo basic ..... Page 134</li> <li>■ MultiControl II duo premium ..... Page 134</li> </ul>  |
| <p><b>Accessories</b></p>                                | <ul style="list-style-type: none"> <li>■ IEC cable ..... Page 146</li> <li>■ Cabel ..... Page 146</li> <li>■ Hand switch ..... Page 148</li> <li>■ Hand switch drawer ..... Page 148</li> <li>■ RKX ..... Page 150</li> <li>■ I/O - Interface ..... Page 156</li> </ul> |

# MultiControl II duo – Technical data

## General information / operating conditions

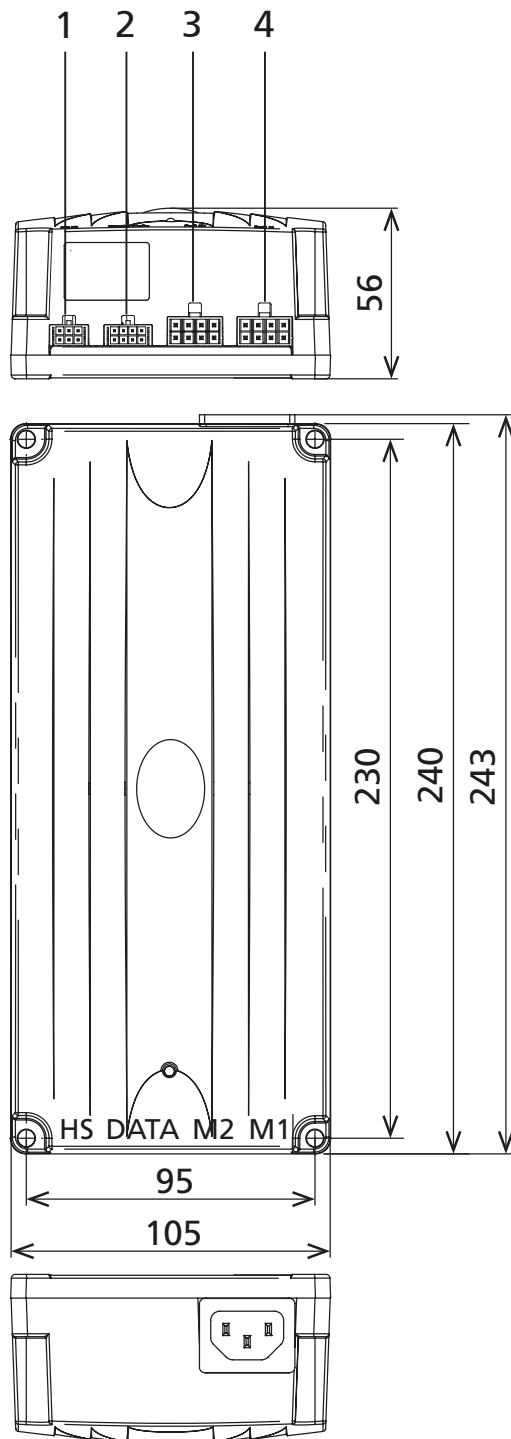
| Type                                   | MultiControl II duo   |
|--|---|
| Compatible                             | Multilift, Slimlift, Multilift II, Multilift II telescope, Powerlift M, LZ 60 |
| Input voltage                          | 100 – 240 V ~ 50 / 60 Hz  |
| Output voltage                         | 28 V DC   |
| Current output                         | max. 10 A   |
| Power                                  | 285 VA  |
| Standby-power                          | ≤ 0,5 W   |
| Ambient temperature                    | +5 °C to +40 °C   |
| Relative humidity (for operation)      | 30 % to 75 %  |
| Protection class (with earth terminal) | I   |
| Protection class                       | IP 20   |
| Dimensions (L, B, H) [mm]              | 240 x 105 x 56  |
| Weight                                 | 880 g   |
| Duty cycle (Operation mode S 3)        | At nominal load, 20% (4 min operating time, 16 mins rest time)                |



Supports configuration of systems with up to 16 drives

**MultiControl II duo**


- 1 HS = Hand switch connector
- 2 DATA = Interface for sensors  
(e.g. safety edge and synchronisation bus)
- 3 M2 = Motor connector 2
- 4 M1 = Motor connector 1  
(must always be assigned)
- P = Power socket



# MultiControl II duo – Versions

## MultiControl II duo basic/premium

The MultiControl II duo controller is available in a Basic and a Premium version.

The Premium version includes four additional software functions compared to the Basic version. These are described on the following pages.

| Feature/software function                                  | Basic | Premium |
|--|-------|---------|
| Low standby consumption                                    | ●     | ●       |
| Dynamic duty cycle calculation                             | ●     | ●       |
| Temperature monitoring                                     | ●     | ●       |
| Visual status indication                                   | ●     | ●       |
| Networking of multiple controllers*                        | ●     | ●       |
| Stroke limitation*   | ●     | ●       |
| Memory positions*  | ●     | ●       |
| Change/set stroke display/base height*                     | ●     | ●       |
| View error history   | ●     | ●       |
| View current consumption of drives                         | ●     | ●       |
| Transfer parameter settings to other systems*              | ●     | ●       |
| Serial interface (RS-485)                                  | ●     | ●       |
| Standardised bus protocol (Modbus RTU)                     | ●     | ●       |
| I/O interface compatibility                                | ●     | ●       |
| Connection of external sensor equipment (e.g. safety edge) | ●     | ●       |
| Integrated collision detection (SPP)                       |       | ●       |
| Absolute positioning*                                      |       | ●       |
| Relative positioning*                                      |       | ●       |
| Key Lock*  |       | ●       |

\*Note: Hand switch with 6 function keys required for functionality

## Controls

| Code No.      | Softwareversion | for drive   |
|---------------|-----------------|---|
| QST11H12AA000 | Basic           | Multilift II, Multilift II ESD, Multilift II safety, Multilift II clean |
| QST11H12AA022 | Premium         |   |
| QST12H12AA000 | Basic           | Multilift II telescope, Multilift II telescope ESD                      |
| QST12H12AA022 | Premium         |   |
| QST13H12AA000 | Basic           | Multilift II impact   |
| QST13H12AA022 | Premium         |   |
| QST44H12AA000 | Basic           | Powerlift M   |
| QST44H12AA022 | Premium         |   |
| QST10H12AA000 | Basic           | Multilift   |
| QST20H12AA000 | Basic           | RK Slimlift   |
| QST20H12AA022 | Premium         |   |
| QST21H12AA000 | Basic           | RK Slimlift EM  |
| QST21H12AA022 | Premium         |   |
| QST30H12AA000 | Basic           | Elektrozylinder LZ 60   |
| QST30H12AA022 | Premium         |   |



# MultiControl II duo

## SPP – Smart Product Protection (integrated collision detection)

### Function description

The Premium version of the MultiControl II control unit includes RK Rose+Krieger GmbH's own in-house developed SPP technology. This technology makes for a considerable reduction of the risk of product damage in the customer's application. In the process, protection is not just provided for the connected drives, but also for the connecting construction as a whole.

When adjusting the height of tables or machine frames, for instance, there is a latent risk of collisions as a result of the raising and lowering of a load. If they occur, these collisions can cause hitches and damage to drives (reduction of the service life, possible complete failure) and even to the connecting construction.

SPP is a software-based solution for collision detection. A major benefit is the fact that the technology is fully integrated into the control system. This way, it is not necessary to equip the customer application with additional external sensor equipment.

A further special feature is the option of the user to adjust the sensitivity of the system (triggering force when a collision is detected) specifically to the application.

The following is a further summary of the significant benefits of integrated collision detection.



### Highlights / Features:

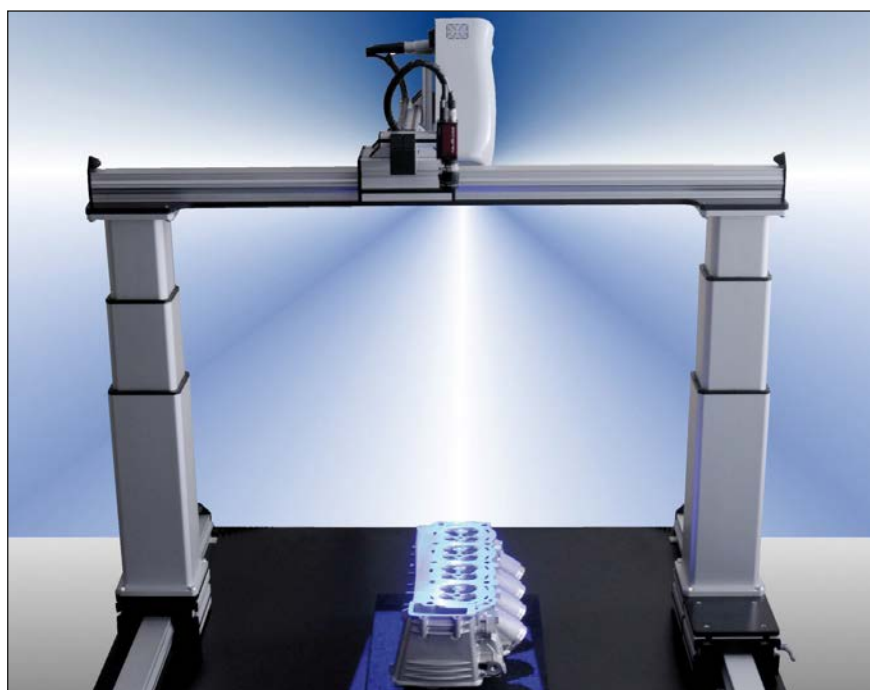
- Higher product safety – SPP detects obstacles, both during upward and downward movement
- No external obstructing contour – the technology is fully integrated into the control system and works with all compatible drives
- High process reliability – SPP functions regardless of the load or other ambient parameters, e.g. ambient temperature
- Plug & Play – no further installation steps are required for the collision protection thanks to integration into the control system
- Flexibility – sensitivity can be adjusted using the hand switch with 6 function keys

## Relative and absolute positioning

Alongside the integrated collision detection (SPP), the Premium version has two further functions which relate to the type of drive positioning.

In addition to moving to previously stored memory positions, it is also possible to carry out relative or absolute positioning. The first variant refers to positioning relative to the current position of the lifting column. This way, the operating control can be used to set a defined value (e.g. 30% or 30 mm) by which the drive further retracts or extends.

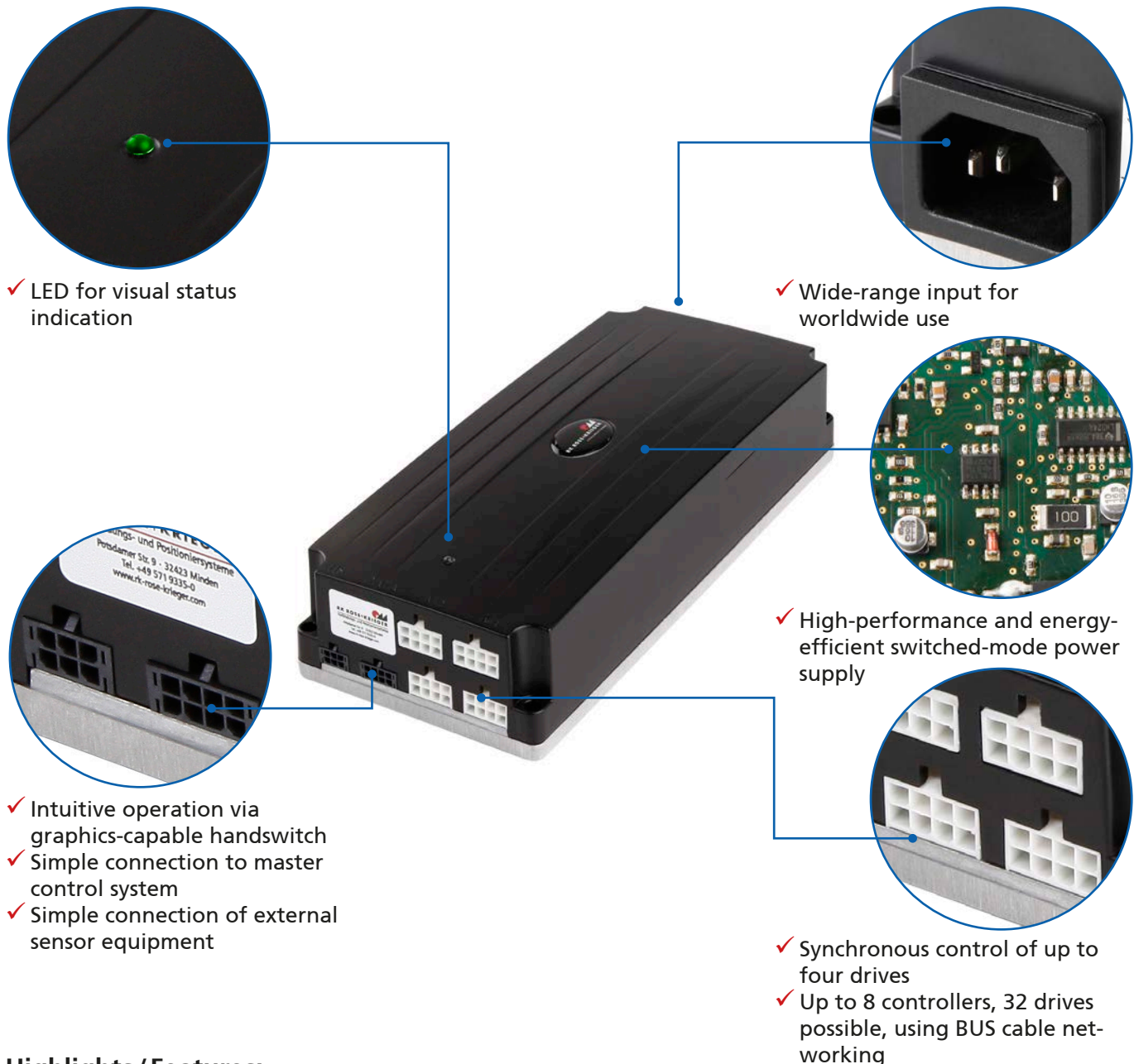
Absolute positioning, on the other hand, refers to the complete scale of the adjustment range. Thus it is also possible to use the operating control to move the drive precisely to a predefined position. This function can be very significant, for instance, for applications in which components are measured.



### Highlights / Features:

- Absolute positioning – precise positioning to a defined position in relation to the complete adjustment range of the drive
- Relative positioning – gradual positioning in relation to the current position of the drive
- Positioning accuracy – both software functions allow positioning to predefined positions which is accurate to the millimetre

# MultiControl II quadro



✓ LED for visual status indication

✓ Wide-range input for worldwide use

✓ High-performance and energy-efficient switched-mode power supply

- ✓ Intuitive operation via graphics-capable handswitch
- ✓ Simple connection to master control system
- ✓ Simple connection of external sensor equipment

- ✓ Synchronous control of up to four drives
- ✓ Up to 8 controllers, 32 drives possible, using BUS cable networking

## Highlights / Features:

- Dynamic duty cycle calculation
- Duty cycle, overcurrent and temperature monitoring for overload protection as standard
- Intuitive operation thanks to hand switch with graphics-capable display
- The hand switch with 6 function keys can be used to perform multiple functions, such as the storage of intermediate positions or user changeovers
- Simple connection to the master control system level using serial interface (RS-485) and standardised bus protocol (Modbus RTU)
- Energy-efficient overall system (control incl. hand switch) thanks to switched-mode power supply with wide-range input (standby consumption < 1 watts)
- Controller available in Basic and Premium versions
- Certified control according to NRTL (UL 61010-1; CAN/CSA C22.2 No. 61010-1) and FCC Part 15

## Option:

- Special functions available on request
- CB report as per 61010-1
- Versions as per DNV GL (e.g. CG 0339)
- High-performance version on request



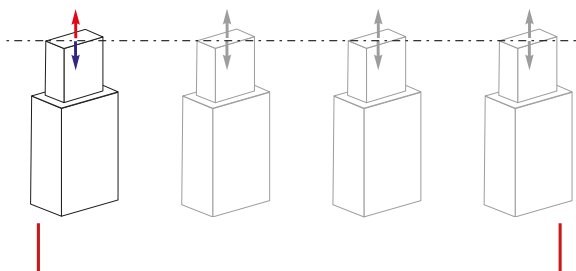
## MultiControl II quadro – Table of contents

|                    |                               |  |
|--------------------|-------------------------------|--|
| <b>Controls</b>    | <b>MultiControl II quadro</b> | <ul style="list-style-type: none"> <li>■ General information ..... Page 140</li> <li>■ MultiControl II quadro basic ..... Page 142</li> <li>■ MultiControl II quadro premium ..... Page 142</li> </ul>   |
| <b>Accessories</b> |                               | <ul style="list-style-type: none"> <li>■ IEC cable ..... Page 146</li> <li>■ Cabel ..... Page 146</li> <li>■ Hand switch ..... Page 148</li> <li>■ Hand switch drawer ..... Page 148</li> <li>■ RKX ..... Page 150</li> <li>■ I/O-Interface..... Page 156</li> </ul> |

# MultiControl II quadro – Technical data

## General information / operating conditions

| Type                                   | MultiControl II quadro  |
|--|---|
| Compatible                             | Multilift, Slimlift, Multilift II, Multilift II telescope, Powerlift M, LZ 60 |
| Input voltage                          | 100 – 240 V ~ 50 / 60 Hz  |
| Output voltage                         | 28 V DC   |
| Current output                         | max. 10 A   |
| Power                                  | 285 VA  |
| Standby-power                          | ≤ 1 W   |
| Ambient temperature                    | +5 °C to +40 °C   |
| Relative humidity (for operation)      | 30 % to 75 %  |
| Protection class (with earth terminal) | I   |
| Protection class                       | IP 20   |
| Dimensions (L, B, H) [mm]              | 240 x 105 x 56  |
| Weight                                 | ca. 1000g   |
| Duty cycle (Operation mode S 3)        | At nominal load, 20% (4 min operating time, 16 mins rest time)                |



Supports configuration of systems with up to 32 drives

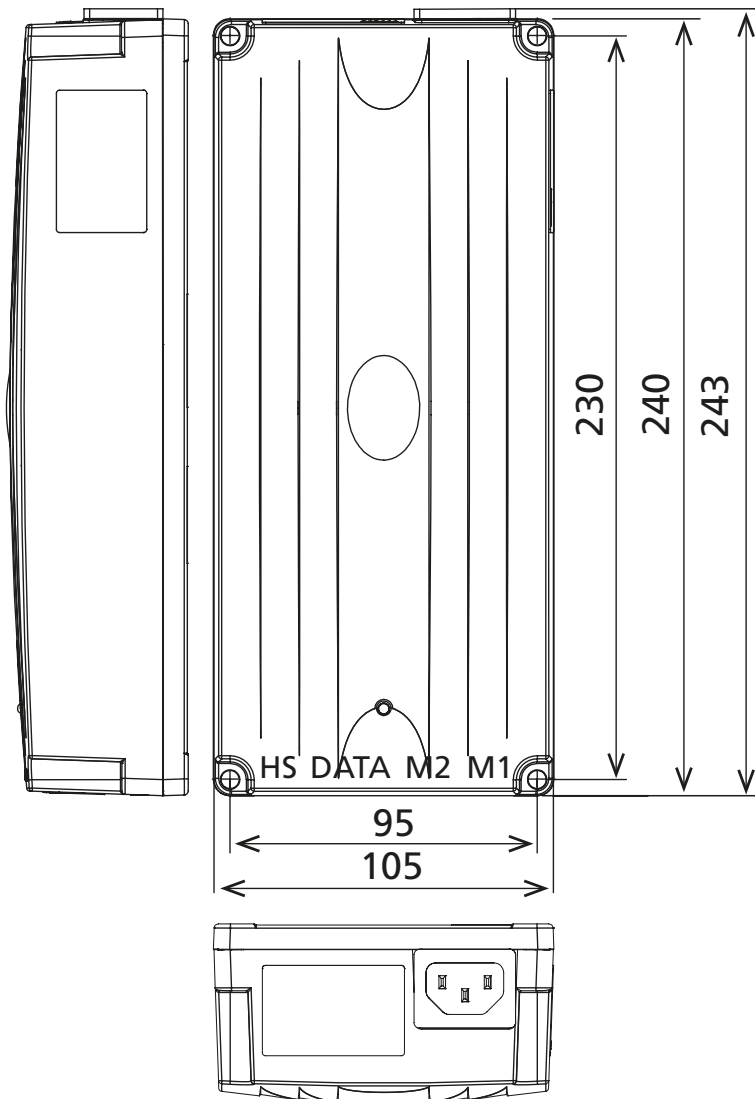
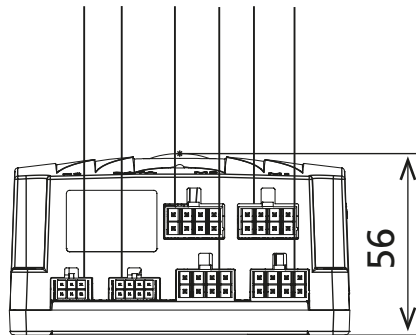


### MultiControl II quadro



- 1 HS = Hand switch connector
- 2 DATA = Interface for sensors (e.g. safety edge and synchronisation bus)
- 3 M4 = Motor connector 4
- 4 M2 = Motor connector 2
- 5 M3 = Motor connector 3
- 6 M1 = Motor connector 1
- P = Power socket

1 2 3 4 5 6



# MultiControl II quadro – Versions

## MultiControl II quadro basic/premium

The MultiControl II duo controller is available in a Basic and a Premium version.

The Premium version includes five additional software functions compared to the Basic version. These are described on the following pages.

| Feature/software function                                  | Basic | Premium |
|--|-------|---------|
| Low standby consumption                                    | ●     | ●       |
| Wide-range input   | ●     | ●       |
| Dynamic duty cycle calculation                             | ●     | ●       |
| Temperature monitoring                                     | ●     | ●       |
| Visual status indication                                   | ●     | ●       |
| Networking of multiple controllers*                        | ●     | ●       |
| Stroke limitation*   | ●     | ●       |
| Memory positions*  | ●     | ●       |
| Change/set stroke display/base height*                     | ●     | ●       |
| View error history*  | ●     | ●       |
| View current consumption of drives*                        | ●     | ●       |
| Transfer parameter settings to other systems*              | ●     | ●       |
| Serial interface (RS-485)                                  | ●     | ●       |
| Standardised bus protocol (Modbus RTU)                     | ●     | ●       |
| I/O interface compatibility                                | ●     | ●       |
| Connection of external sensor equipment (e.g. safety edge) | ●     | ●       |
| Integrated collision detection (SPP)                       |       | ●       |
| Absolute positioning*                                      |       | ●       |
| Relative positioning*                                      |       | ●       |
| Key Lock*  |       | ●       |
| Drive group management*                                    |       | ●       |

\*Note: Hand switch with 6 function keys required for functionality

## Controls

| Code No.      | Softwareversion | for drive   |
|---------------|-----------------|---|
| QST11H14AA000 | Basic           | Multilift II, Multilift II ESD, Multilift II safety, Multilift II clean |
| QST11H14AA022 | Premium         |   |
| QST12H14AA000 | Basic           | Multilift II telescope, Multilift II telescope ESD                      |
| QST12H14AA022 | Premium         |   |
| QST13H14AA000 | Basic           | Multilift II impact   |
| QST13H14AA022 | Premium         |   |
| QST44H14AA000 | Basic           | Powerlift M   |
| QST44H14AA022 | Premium         |   |
| QST10H14AA000 | Basic           | Multilift   |
| QST20H14AA000 | Basic           | RK Slimlift   |
| QST20H14AA022 | Premium         |   |
| QST21H14AA000 | Basic           | RK Slimlift EM  |
| QST21H14AA022 | Premium         |   |
| QST30H14AA000 | Basic           | Elektrozylinder LZ 60   |
| QST30H14AA022 | Premium         |   |



# MultiControl II quadro

## Drive group management (DGM)

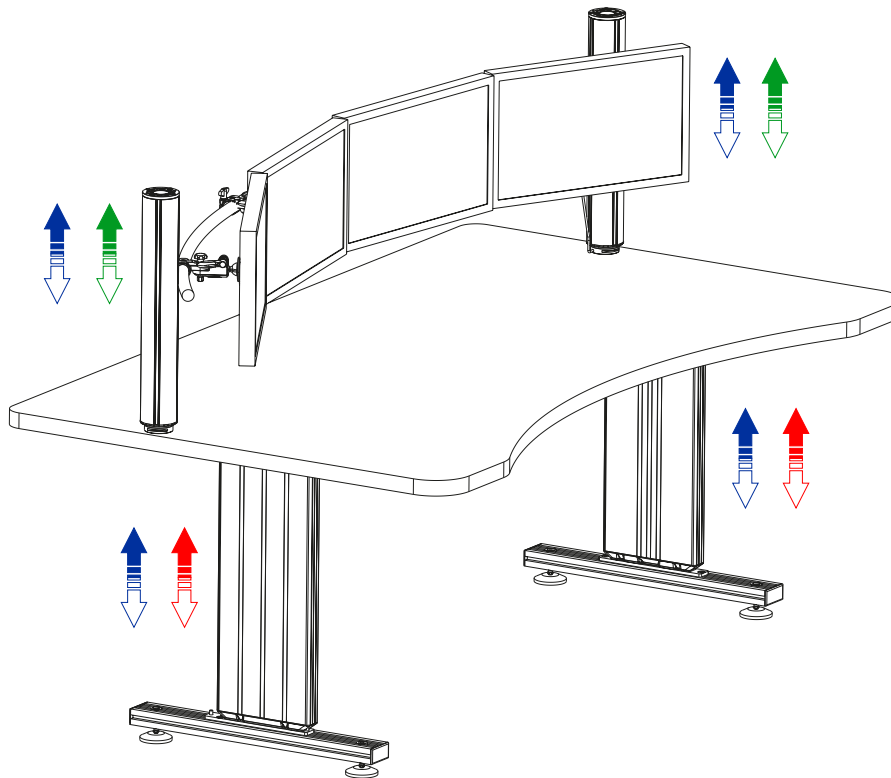
### Function description

The basic version of the MultiControl II quadro allows you to position four drives synchronously. Those for whom this functionality is not sufficient can opt for the premium version of the control unit.

Alongside the renowned collision detection (SPP), it also has drive group management. The function, which was developed by RK Rose+Krieger in-house, allows different drive groups to be freely configured (2+2, 2+1, 1+2 and 1+1). In the process, up to two different drive types (e.g. RK Slimlift and Multilift II) can be combined with each other or positioned individually, in parallel or synchronously.

Furthermore, when drive group management is activated, the numerous further premium functions can be used. The second drive group, for example, can be positioned independently of the first either absolutely or relatively, and memory positions can also be assumed independently.

The integrated collision detection can also be freely configured for each group in the upwards and downwards movement. These benefits, combined with the intuitive menu navigation of the MultiControl II family, facilitate a number of new applications. The following is a summary of the essential benefits of drive group management.



### Highlights/features:

- Freely configurable motor groups (2+2, 2+1, 1+2, 1+1)
- Plug & play – thanks to integration in the control. No need for a bus connection with four drives
- The full range of premium functions are also available for activation
- Flexibility – Free selection of combinable drives underneath the motor groups



# MultiControl II – Accessories

## IEC cable



**F**  
(Europe)



**J**  
(Switzerland)



**G**  
(Great Britain)



**B**  
(Japan, USA)

| Code No   | Version   | Typ | Cable lenth |
|-----------|---|-----|-------------|
| QZD070618 | IEC cable (Europe version, earthed plug)        | F   | 1.80 m      |
| QZD020159 | IEC cable (Switzerland version, earthed plug)   | J   | 1.80 m      |
| QZD070619 | IEC cable (Great Britain version, earthed plug) | G   | 1.80 m      |
| QZD070631 | IEC cable (Japan, version earthed plug)         | B   | 1.80 m      |
| QZD070625 | IEC cable (USA, version earthed plug)           | B   | 1.80 m      |



1



2



3



4

| Code No.  | Accessories  | Interface     | Fig. |
|-----------|--|---------------|------|
| QZD070731 | BUS cable 6 m for networking of up to 8 synchronous control                                    | DATA          | 1    |
| QZD070694 | Terminating resistor<br>(only necessary when more than 2 synchronous controls are connected) * | BUS-cabel 6 m | 2    |
| QZD070730 | BUS cable 1 m for networking of 2 synchronous control  | DATA          | 3    |
| QZD070718 | Interface cable (open cable end) – 4 m straight  | DATA          | 4    |

**\*Note:** If there are more than two connected controllers, the overall system always requires two terminating resistors at the beginning and end of the BUS system.

## Connecting cable for Multilift I to MultiControl II family



| Code No.  | Multilift I to MultiControl II*   | Interface       | Fig. |
|-----------|---|-----------------|------|
| QZD020711 | Connecting cable with locking mechanism, Multilift I to MultiControl II - 2.5 m | Motor connector | 5    |
| QZD020722 | Adapterkabel Multilift I to MultiControl II - 0,2 m                             | Motor connector | 6    |

\*Note: For the compatibility of the Multilift I lifting column, you require one of the adapter cables shown.



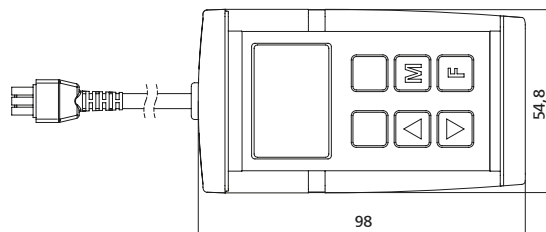
| Code No.  | Accessories  | Interface       | Fig. |
|-----------|--|-----------------|------|
| QZD070700 | Hand switch extension cable – 2.5 m straight                 | HS              | 7    |
| QZD070710 | Hand switch cable (open cable end) – 4 m straight            | HS              | 8    |
| QZD070749 | Extension cable for drives to MultiControl II - 3 m straight | Motor connector | 9    |

\*Note: When using the 3 m extension cable for drives (QZD070749), lag error E11 / E12 may occur due to the increased line resistance. In this case it is necessary to reduce the travel speed, for which you require the hand switch with 6 function keys and display.

# MultiControl II – Accessories

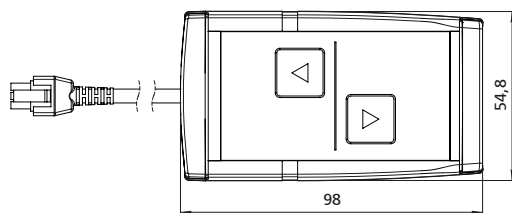
## Hand switches with 6 function keys

1



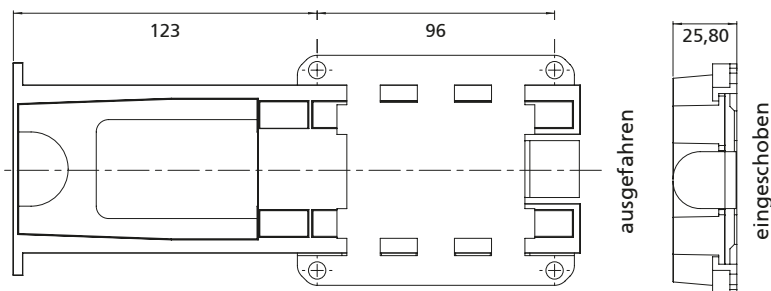
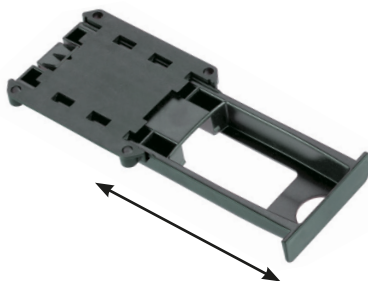
## Hand switches with 2 function keys

2



## Hand switch drawer

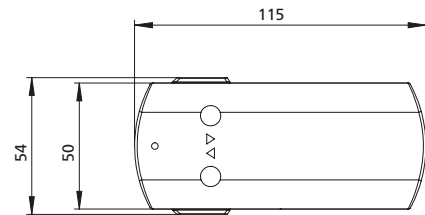
3



| Code No.      | Version   | Fig. |
|---------------|---|------|
| QZB11G07AV041 | Hand switch with 6 function keys and display – 1 m cable length | 1    |
| QZB11G07AB041 | Hand switch with 2 function keys – 1 m cable length             | 2    |
| QZD000074     | Hand switch drawer for hand switches with 6 and 2 function keys | 3    |

## Remote hand switch with 2 function keys

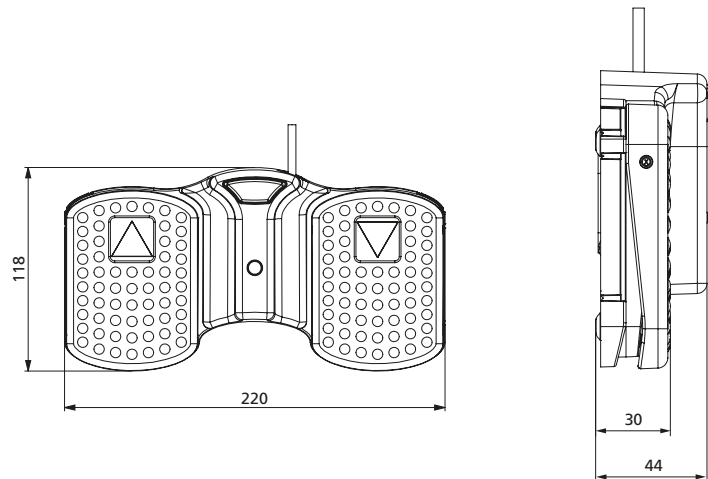
4



\* Please note the ordering information below!

## Foot switch with 2 function keys

5



\* Please note the ordering information below!

## Adapter cable

6

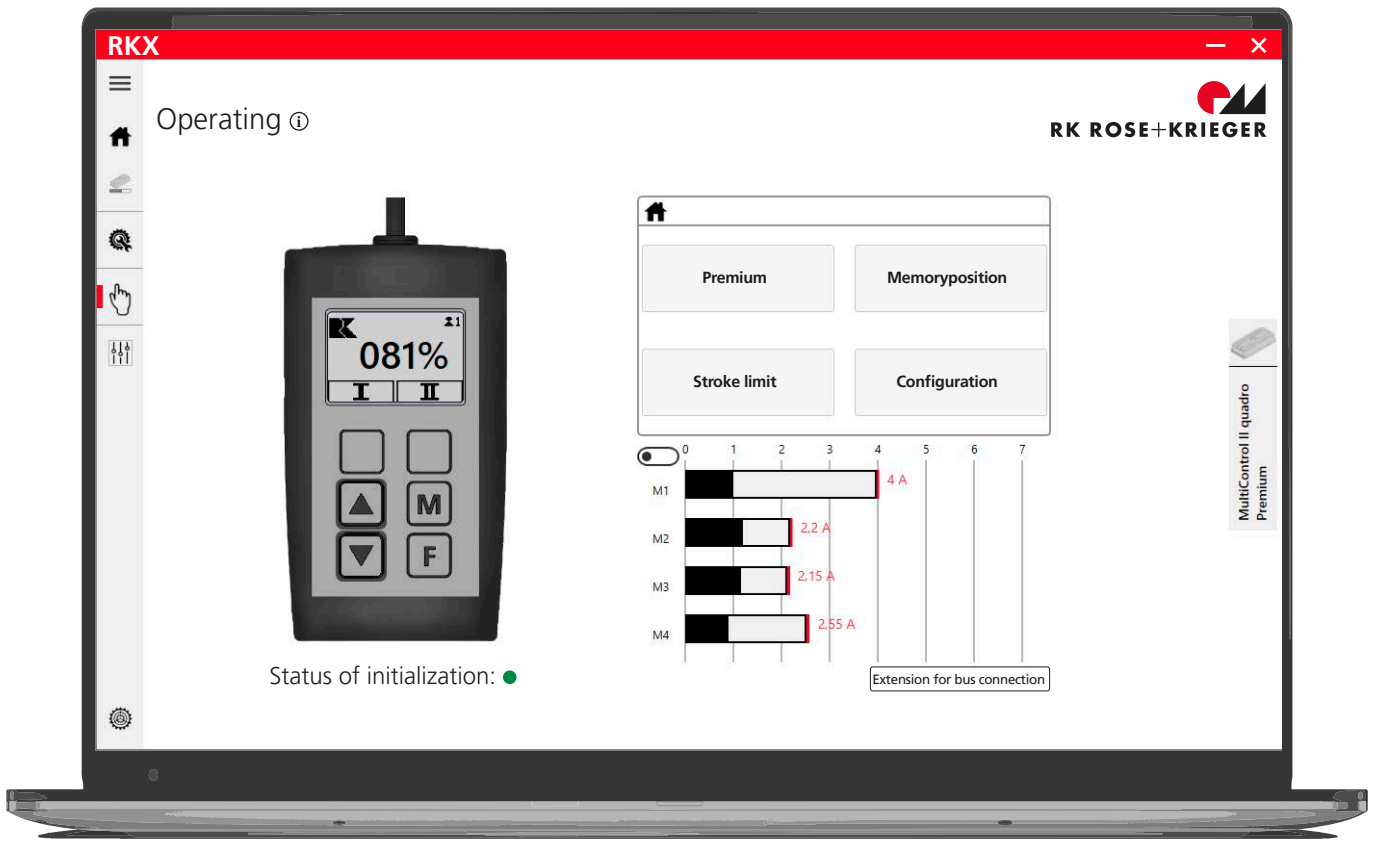


| Code No.      | Version   | Fig. |
|---------------|---|------|
| QZB00D07BK141 | Remote hand switch – 2 function keys  | 4    |
| QZB02C01AE114 | Foot switch – 2 function keys   | 5    |
| QZD070699     | Adapter cable DIN 7-pin to Molex 6-pin (Hand switch to MultiControl II) – 0.2 m | 6    |

\***Order instruction:** When using a foot switch with 2 function keys and remote hand switch with 2 function keys, the adapter cable is essential.

# MultiControl II – Accessories

One interface, countless possibilities



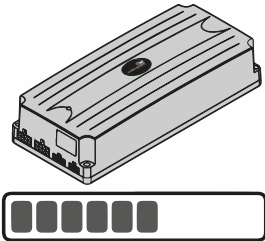
## Highlights / Features:

- Easy detection of distortions or an overloaded system
- Visualisation of motor current for up to 32 drives
- Storage of your requirements in configuration profiles
- Guided start-up of the system
- Software update
- System configuration
- System operation
- Read-out and export of fault history for detailed analysis

| Code No.  | Version             |
|-----------|---------------------|
| QZD070748 | RKX Interface – 2 m |

The **RKX** (Windows software), in conjunction with the **RKX**-interface (Cable), provides you with numerous different options for interaction with your controller. Alongside the main functions explained in the following, you can also view the prior run time, the current temperature of the controller, the number of positioning movements completed and much more.

### Update



Using the **RKX** you can update the Multi Control II controllers with a new software version and thus access new functions.

Also, in the event of a replacement delivery to your end customer you can restore the individual factory settings (e.g. preactivated functions, certain software version etc.) so that integration into your customer's overall system works smoothly.

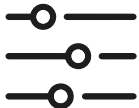
Software profiles which have been individually adapted to you or your customer by RK Rose+Krieger can also be transferred to the controller.

### Service



The **RKX** also provides you with access to the fault history of your MultiControl II. This feature can be used to read out the most recent 20 reports from the controller. The entries can be used to draw conclusions relating to one-off or recurring faults, e.g. constructional distortions, faults in the voltage supply or overloaded drives. This data can be used to define further measures for optimisation of the service life and to reduce downtimes on your overall system.

### Configuration



This menu item is used to configure various (pre) settings for the MultiControl II in accordance with your individual requirements. The start-up procedure for the entire system and the various premium functions can also be performed intuitively.

Moreover, the set options can be saved as (customer) profiles, allowing you to guarantee consistent functionality for your end customers

### Operating



In order to check the settings made previously and determine the current motor current of your application, for instance, the drives can also be moved using the **RKX**. In addition to many further options, you can also set the premium functions (collision detection (SPP), drive group management, and relative and absolute positioning), memory positions and stroke limitation.

That way, nothing stands between you and problem-free set-up of your or your customer's application.

### RKX-Software

More information on our RK Rose+Krieger website. Simply scan the QR code to find out more about our **RKX**-Software.



More information



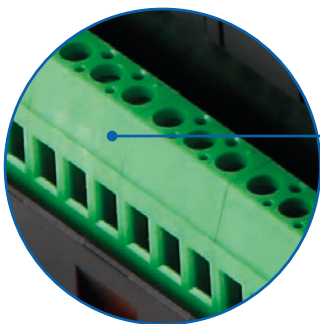
# I/O - Interface



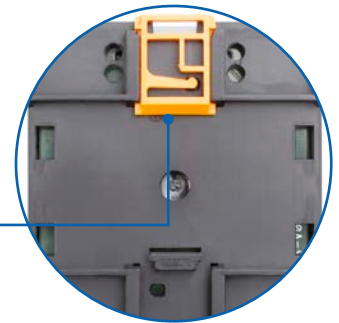
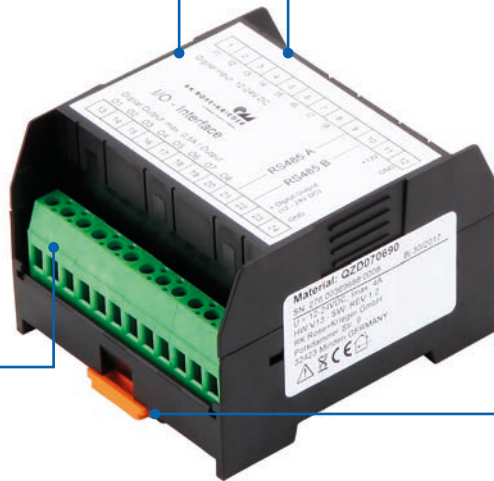
✓ Compatible with the MultiControl II product family



✓ Receives digital signals (e.g. from a PLC) as commands



✓ Forwards feedback from the controller to digital outputs



✓ Quick and easy installation in the control cabinet with mounting rail housing (TS35)

## Highlights/features:

- Connecting element from MultiControl II to master control system
- Bidirectional communication between controller and master control system via 16 digital inputs and outputs
- Storing and moving to up to 7 memory positions
- Starting up the initialisation sequence
- Adjustable travel speed
- Enables resetting of errors
- Feedback to master control system (e.g. movement active, position reached, error status etc.)

- Encoder simulation A/B delivers a signal which simulates a 2-channel encoder and represents the position of motor 1.

Standard functions mean quicker and simpler programming.

- **Standard functions of the digital inputs:**
  - ✓ Status indication
  - ✓ Initialisation complete
  - ✓ Memory position reached
  - ✓ Movement active
  - ✓ Retracted status
  - ✓ Encoder simulation

## Option:

- Special functions available on request
- Quick and easy storage and moving to memory positions using hand switch with 6 function keys

## I/O-Interface – Table of contents

### Versions

- I/O-Interface..... Page 154

### Accessories

- Control-BUS-cabel ..... Page 159
- Hand switches ..... Page 159

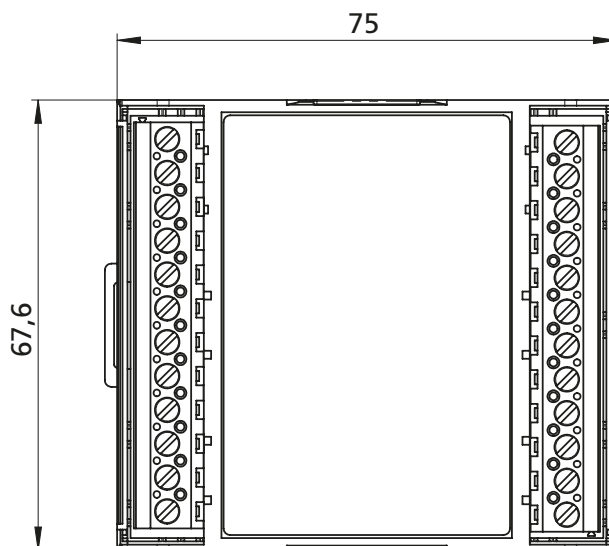
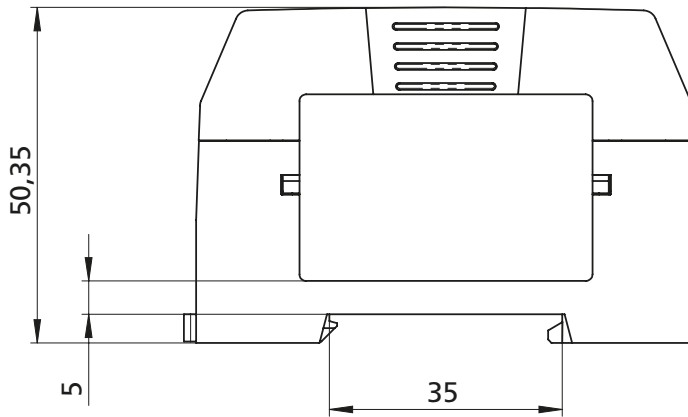
## General information/operating conditions

|  |  |
|--|--|
| The voltage supply for the logic of the I/O module | is provided by connecting the MultiControl II control system |
| Voltage supply for the digital inputs              | High level: 5 V DC – 30 V DC<br>Low level: 0 V DC – 2 V DC   |
| Voltage supply for the digital outputs             | 10-30 V DC, max. 4 A   |
| Protection class                                   | III  |
| Ambient temperature                                | 0 °C to +50°C  |
| Protection class                                   | IP20   |
| Dimensions   | B x H x L: 67 x 50 x 75 mm                                   |

| Input                             | Standard function                            |
|-----------------------------------|--|
| Input voltage (input 1 - input 8) | High: 5 VDC – 30 VDC<br>Low: 0 VDC – 2 VDC   |
| Input impedance                   | 10 k Ohm                                     |
| 1                                 | UP   |
| 2                                 | DOWN   |
| 3                                 | Action enabled from 3-bit mask (input 4 – 6) |
| 4, 5, 6                           | 3 bit mask for memory position               |
| 7                                 | Speed (s / l)                                |
| 8                                 | Reset error                                  |

| Output                               | Standard function                              | Logic level |
|--------------------------------------|--|-------------|
| Output voltage level O1 – O 8        | High: as voltage on terminal 23<br>Low: GND    | –           |
| RS485 A/B                            | A/B  | –           |
| Power supply for the digital outputs | + Digital output: 10 – 30 VDC, max. 4 A<br>GND | –           |
| 1                                    | Error status                                   | High active |
| 2                                    | Initialised                                    | High active |
| 3                                    | Position reached                               | High active |
| 4                                    | Movement active                                | High active |
| 5                                    | N/A  | –           |
| 6                                    | Zero position                                  | Low active  |
| 7                                    | Encoder simulation A                           | High/Low    |
| 8                                    | Encoder simulation B                           | High/Low    |

**I/O-Interface**



# I/O - Interface – Versions

## I/O - Interface

The RK Rose + Krieger lifting column range supports a wide range of workflows in a wide range of assembly and manufacturing processes. A special data interface has now been developed in order to further optimise these workflows and increase the level of automation.

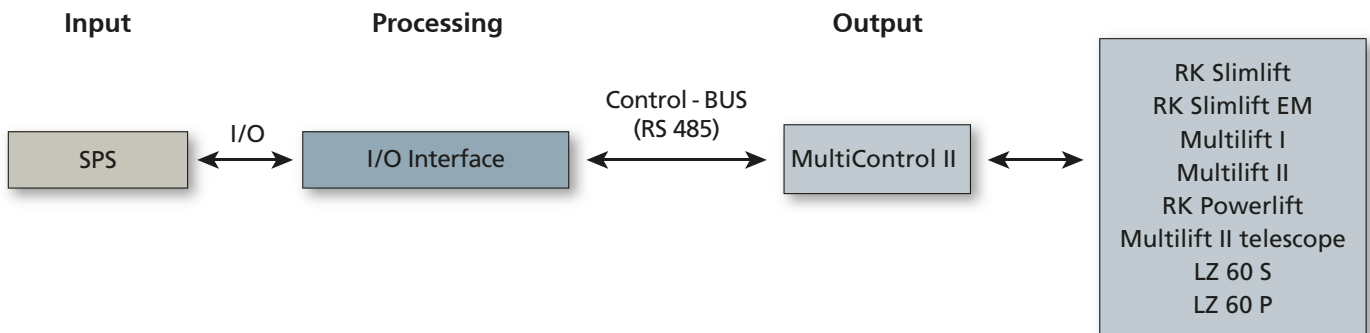
A lifting column for userfriendly setting up, for instance, can be operated using a hand switch. The ongoing production process is then controlled by PLC.



**Scope of delivery:**  
Data interface with housing,  
Connecting cable to control  
(4 Meter), Documentation



| Code No.  | Type          | Version             | Interface |
|-----------|---------------|---------------------|-----------|
| QZD070690 | I/O-Interface | for MultiControl II | HS        |



## Connection of a PLC

The I/O interface is used to activate the MultiControl II via digital inputs and outputs (e.g. of a PLC). For this purpose the module forwards the digital inputs to the MultiControl II as commands. The feedback signals from the controller are in turn transferred via the digital outputs.

The I/O interface thus transmits the serial RS485 interface of the MultiControl II to the digital inputs and outputs bidirectionally. All the inputs and outputs of the module are configured with standard functions. Thus the digital inputs 4, 5 and 6, for instance, are intended for saving the memory positions of the lifting column.

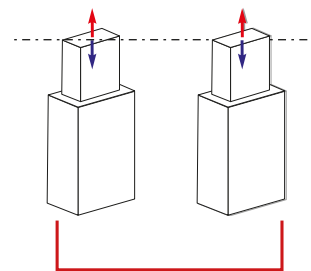
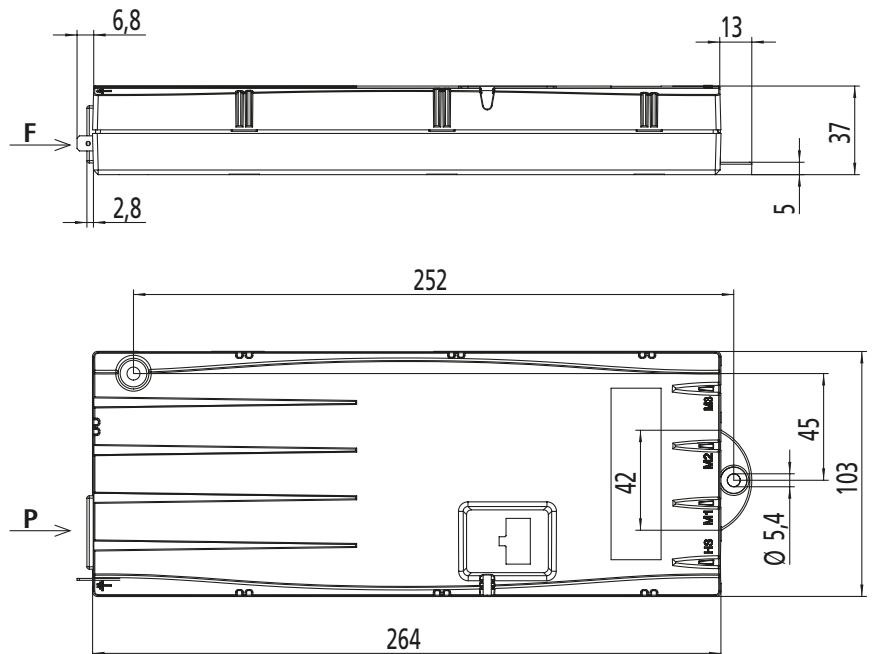
It is important to mention that the hand switch with 6 function keys simplifies the saving of memory positions considerably. It can be used to save and assume memory positions.

**Please refer to the installation instructions for detailed information on the I/O interface.**



# Compact-e-3-EU

- 1 HS = Hand switch connector
- 2 M1 = Motor connector 1
- 3 M2 = Motor connector 2
- 4 M3 = Motor connector 3
- P = Power socket
- F = Cable lug for earthing of table frame (6.3 x 0.8 mm cable lug)



2 drives synchronised

## Features:

- Synchronous control of up to two drives
- Duty cycle monitoring as over-load protection
- Highly efficient switched-mode power supply (SMPS)
- The hand switches with display support storage of four different intermediate positions (memory) which can be called up at the touch of a button
- Acoustic status message thanks to Click Codes

## Additional functions:

### Adjustable by customer

- Relative or absolute height display on hand switch with display
- Programmable software end positions

## General information / operating conditions

| Type                                   | Compact-e-3-EU  |
|--|---|
| Compatible                             | Set Multilift II/Set Multilift II telescope                                     |
| Input voltage                          | EU: 230V / 50Hz<br>US: 120V / 60Hz (on request) / JP: 100V / 60 Hz (on request) |
| Output voltage                         | 33 V  |
| Current output                         | 7 A   |
| Power                                  | 231 VA  |
| Standby-power                          | 0,5 W   |
| Ambient temperature                    | 0 °C to +30 °C  |
| Relative humidity (for operation)      | 5 to 90% (non-condensing)   |
| Protection class (with earth terminal) | I   |
| Protection class                       | IP 20   |
| Dimensions (L, B, H) [mm]              | 264 x 103 x 37  |
| Weight                                 | 523 g   |
| Duty cycle (Operation mode S 3)        | At nominal load, 10% (2 min operating time, 18 mins rest time)                  |

## IEC cable

| Code No   | Version   | Typ | Cable length |
|-----------|---|-----|--------------|
| QZD070618 | IEC cable (Europe version, earthed plug)        | F   | 1.80 m       |
| QZD020159 | IEC cable (Switzerland version, earthed plug)   | J   | 1.80 m       |
| QZD070619 | IEC cable (Great Britain version, earthed plug) | G   | 1.80 m       |

## Hand switches / Accessories



| Code No.      | Vesion          | Description / information        | Additional functions (see page 158) | Cable length | Fig. |
|---------------|-----------------|----------------------------------|-------------------------------------|--------------|------|
| QZB30G07BR041 | HSU-C-FL-SM-LD  | Up to 4 memory positions/Display | ●                                   | 1.90 m       | 1    |
| QZB30E07BN126 | TOUCHbasic UD   | 2 Up-/Down function              |                                     | 1.80 m       | 2    |
| QZB30G07CB091 | TOUCH-FX-MDF-KM | Up to 4 memory positions/Display | ●                                   | 1.80 m       | 3    |

## Features:

### HSU-C-FL-SM-LD



- Up to 4 memory positions
- 2 Up-/Down function
- 3- digit display
- Membrane key pad slim design

### TOUCHbasic UD



- 2 Up-/Down function
- Large keys

### TOUCH-FX-MDF-KM



- Up to 4 memory positions
- 2 Up-/Down function
- 3- digit display







**RK ROSE+KRIEGER**



**Belastungsdaten\* - A / AS -**

| Ausführung       | Fx     |     | Fy   |
|------------------|--------|-----|------|
|                  | 500    | 850 | 1000 |
| Gesamtlänge (mm) |        |     |      |
| Ausführung       |        |     |      |
| A/AS 30          | 1500 N |     |      |
| A/AS 40          | 1800 N |     |      |
| A/AS 50          | 2000 N |     |      |
| A/AS 60          | 2000 N |     |      |

\* Bezogen auf „geschlossenen“ Führungsschlitzen (Durchbiegung d...)

Geschwindigkeit

| Ausführung |
|------------|
| E/AE       |
| E/AE       |
| A/AS       |

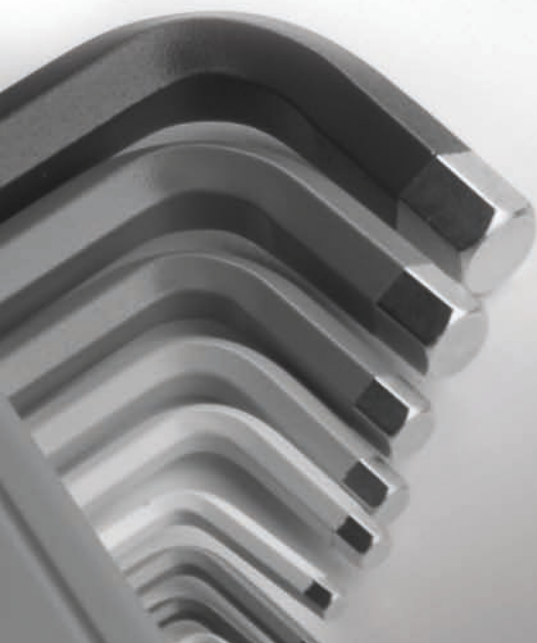
## Contents

Enquiry Forms ..... Seite 162

Glossary ..... Seite 166

Index ..... Seite 172

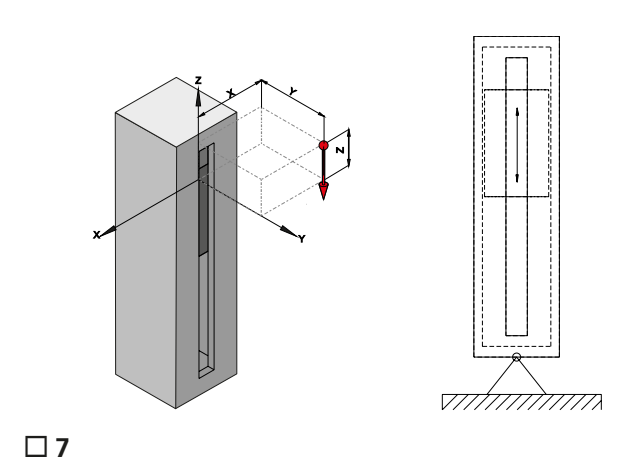
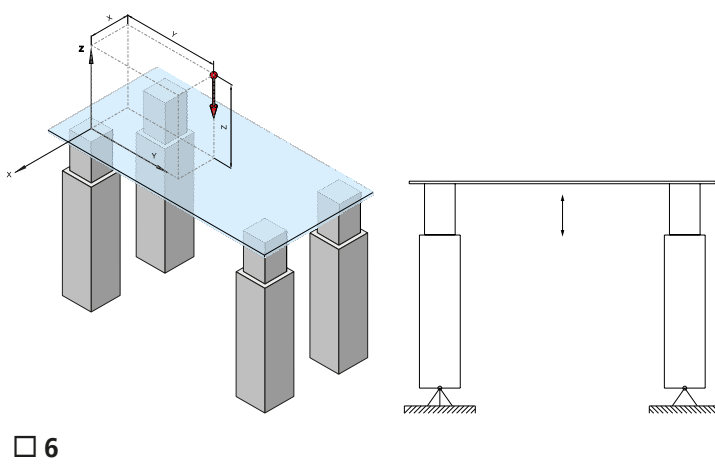
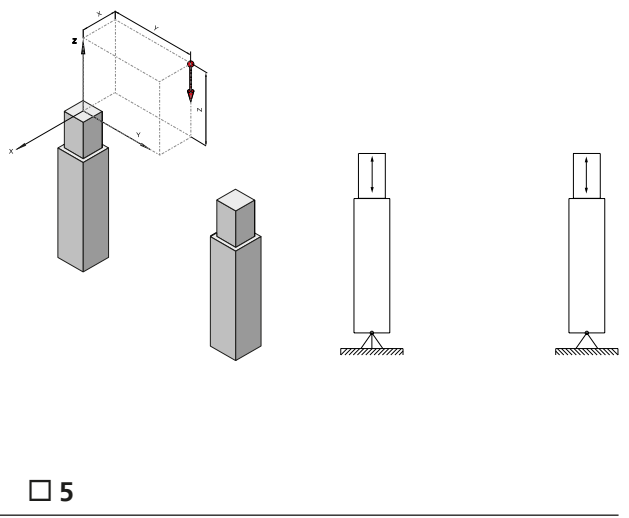
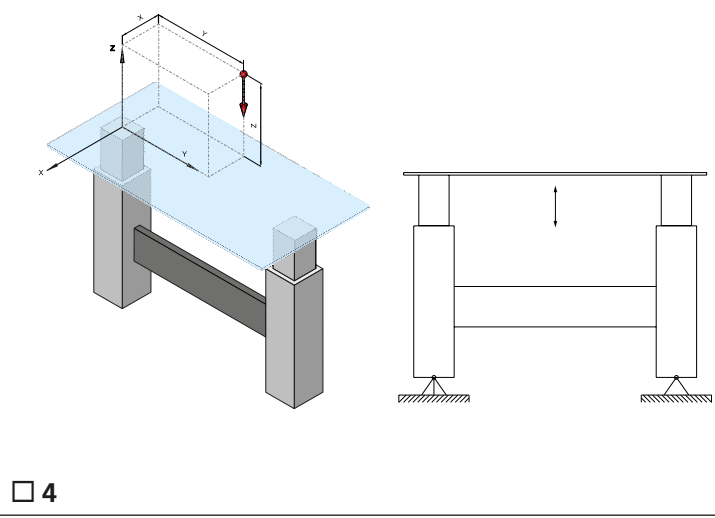
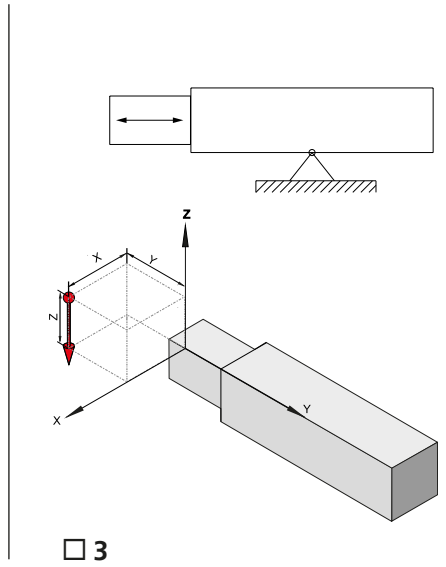
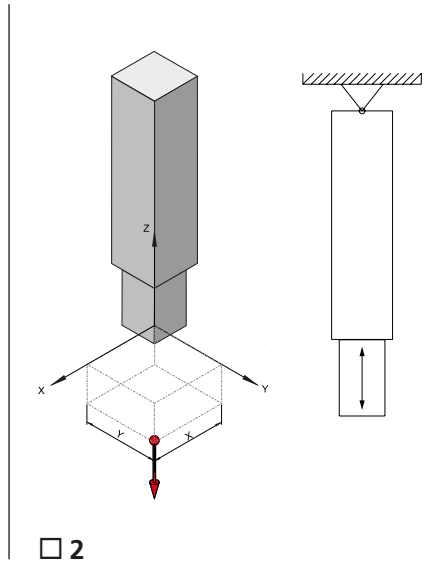
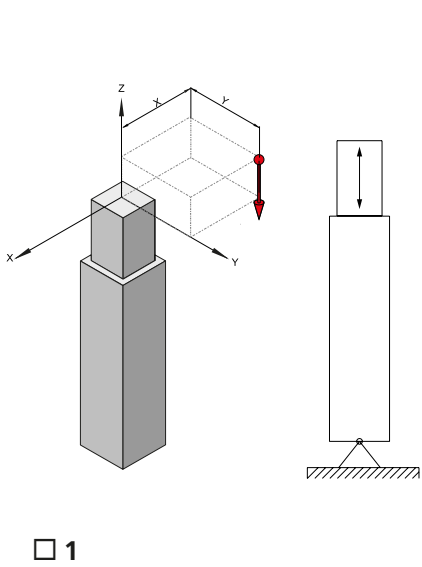
# Appendix







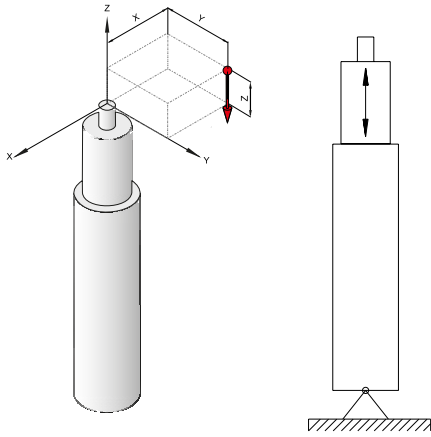
Application examples: □1 □2 □3 □4 □5 □6 □7



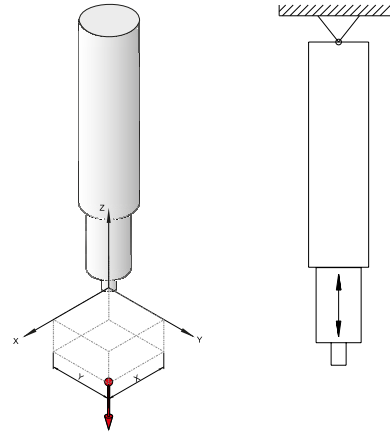




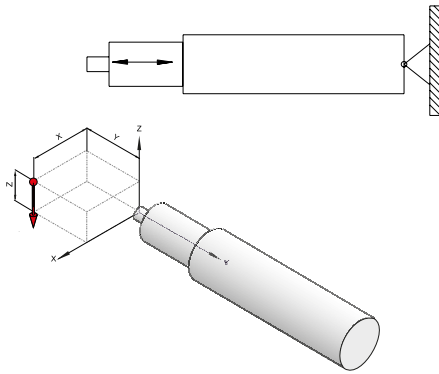
Application examples: □1 □2 □3 □4 □5 □6



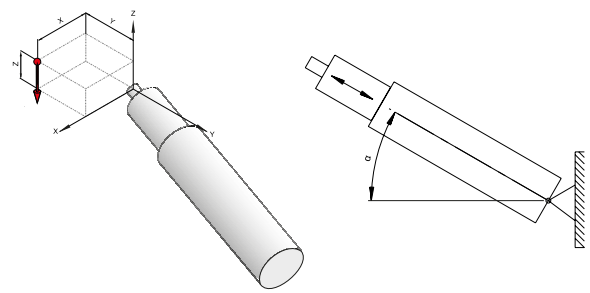
□1



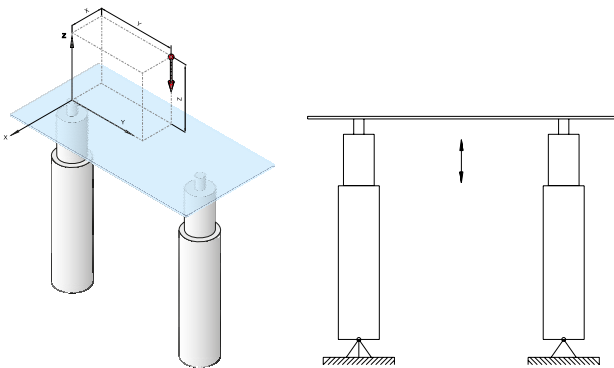
□2



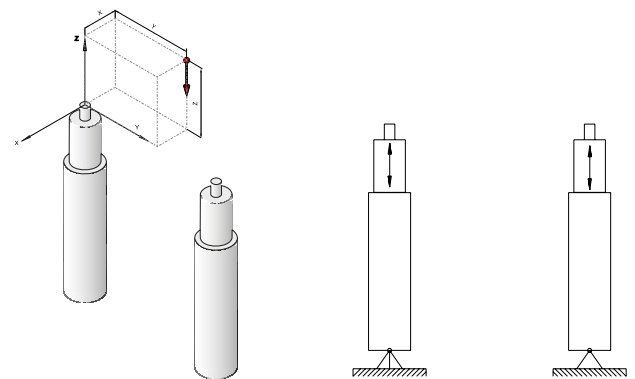
□3



□4



□5



□6

**Adjustment load:** Each drive type has a different, structurally-dependent, adjustment load. This variable defines the maximum push and tractive force that a drive can handle (for linear drives). The adjustment load is always a so-called dynamic load. The drive still performs reliable adjusting movements under the specified maximum load. The adjustment load is defined in terms of Newtons (N), whereby the following applies: 1 kg » 10 N.

**BLOCAN:** Product name of the RK Rose+Krieger aluminium profile system with patented connection system, which permits the quick and easy assembly of very different structures. These profiles are available in a wide range of cross-sections and sizes.

**Checkback signal:** A technical means for the detection of the current position and speed of the drive. A distinction is made between the relative (incremental) and absolute (analogue) method.

**Incremental (relative):**

A so-called Hall sensor generates a fixed number of electrical impulses for each distance travelled. The control then calculates up-to-date information on the current position and speed relative to a defined reference point. In order to ensure the reliable operation of the drive, it is essential that a correct reference value is always available. However, if this reference value is lost, such as in the unlikely event of a power failure or a malfunction, it is essential to specify a new reference point.

**Analogue (absolute):**

In this case, the position/speed is detected using a so-called potentiometer. This electronic component is permanently coupled to the drive movement and adjusts its resistance value according to the current position. The control uses this information to calculate the current position and speed. This type of position determination does not require a reference point as all potentiometer values are constantly available.

**Control:** The control combines the various functions required to operate the drive. The switching signals of a hand switch are converted to control functions for the connected drives. At the same time, the control contains facilities for power supply and various protection devices to protect against overloads and short-circuits.

**Transformer control:**

The hand switch controls electromechanical relays, which, in turn, control the drive currents (the most common control technology).

**Customer applications:** The responsibility for RK Rose+Krieger products (in the specific application) and compliance with the applicable directives, standards and laws lies with the manufacturer of the complete system in which the RK Rose+Krieger products are installed.

**Duty cycle (max):** This technical variable defines the maximum time period that a drive can be operated continuously. This maximum period must be followed by a specified idle time. Both values are defined in the specified duty cycle (DC) in relation to one another. In the case of drive systems, 2/18 min has become standard in the field of drive technology, i.e. 2 minutes of continuous operation must be followed by 18 minutes idle time. It therefore follows that if the unit is operated for a shorter period, the idle time can also be shortened respectively. It is essential to ensure adherence to these specifications for periodic duty; failure to do so may cause the unit to overload and trigger protection equipment.

**Earthing conductor cable:** The Multicontrol Care power cable with earth connection on the control side is for connecting the application to the earthing conductor. Install the control-side earthing conductor cable in your application in accordance with the applicable standards and current practice.

**Hand switch:** The operator can use this operating device to control the full range of drive functions. A press of the button generates switching signals, which are converted to corresponding control signals in the control system.

**Standard:**

The hand switch is directly connected to the control system via a connecting cable; transmission of the switching signals is hard-wired.

**Radio:**

Instead of the standard hand switch, a radio receiver is connected to the control interface. The switching signals sent by the radio remote control are picked up by the receiver and relayed on to the control.

**Installation dimension:** This dimension specifies the installation length of the respective drive. Installation length = basic length + travel.

**Installation position:** Observe operating manual: [www.rk-rose-krieger.com/english/service/download-documents/technical-manuals/linear-technology](http://www.rk-rose-krieger.com/english/service/download-documents/technical-manuals/linear-technology)

**Lifting column:** Single actuator with a special, often design-oriented linear guide. This actuator is able to reliably withstand lateral forces and ensure the necessary stability even in a fully extended position while taking the maximum torques into account.

**Memory synchronous drive:** This kind of actuator is equipped with a position and stroke detection system. Information on the current position of the drive is continuously transmitted back to a synchronised control system. This memory drive is generally used in applications where the stored positions can be retrieved with the simple press of a button. They are also required in applications with synchronous/memory controls.

**Power cable feedthrough:** Additional voltage tap for the supply of external devices.

**Protection class:** The impermeability of electronic devices against the penetration of foreign bodies and liquids is defined by means of a two-digit IP code. The first number refers to the level of ingress protection against solid materials, such as dust, and the second to ingress protection against liquids. The most common protection classes are IP 20 (touch protection); IP 44 (water spray protection); IP 66 (water jet protection).

**Repeatability:** Repeatability is the ability of the linear unit drive to return to a once reached position within the given tolerance limits under identical conditions. Factors that influence repeatability (and positioning accuracy) include: load, speed, delay, direction of movement and temperature.

**Stroke:** In the case of lifting columns and electric cylinders, the maximum travel is referred to as stroke.

**Service life of drives:** The lifetime depends on the drives used and the application. Depending on the system, there is a considerable difference between the lifetime of ball screw drives and acme screw drives. The lifetime of the drives is also affected by the control systems used and the associated duty cycles. As a guideline for acme screw drives, a stroke of 500 mm, with adherence to the permitted loads and duty cycles, we estimate a lifetime of 10,000 double strokes. Any changes of application will effect a corresponding change in the expected lifetime of the drive. Ball screw drives are expected to have a considerably longer lifetime. Please contact us if you require any further advice and we will be happy to assist.

**Synchronous control:**

The synchronous operation of several drives at the same speed is possible even in the case of widely ranging loads. This technology is always used if a single adjusting movement is implemented via more than one drive (such as the height adjustment of workstations).

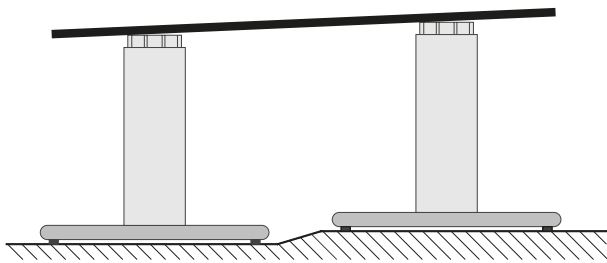


**Synchronous operation:** Synchronised drives are used for the simultaneous movement of several mechanically connected columns. "Standard" single drives are generally not able to meet the requirements of such applications.

The following section contains some brief information on the best way to set up a synchronous system. More detailed information on this subject can be found in the respective technical instructions on our website [www.rk-rose-krieger.com/english/service/download-documents/technical-manuals/linear-technology](http://www.rk-rose-krieger.com/english/service/download-documents/technical-manuals/linear-technology).

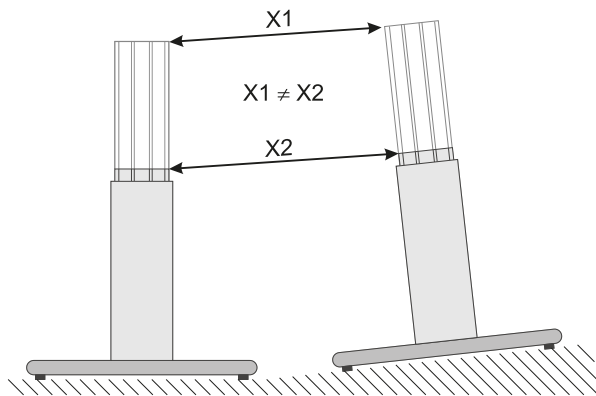
The following errors can occur during set-up:

**Different heights:**



A rigid connection between the lifting columns aligns them at the same height. Fixing the table frame in place may cause the lifting columns to distort.

**Parallel alignment:**



If the lifting columns are not parallel, the distance between the two upper fixing points will change during the movement. However, a rigid connection keeps this distance constant, and this means that the lifting columns are subject to very strong forces.

**Distorted table frame:**

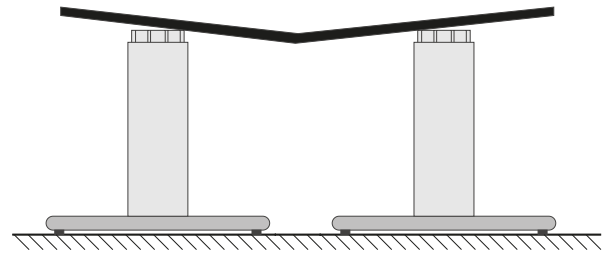
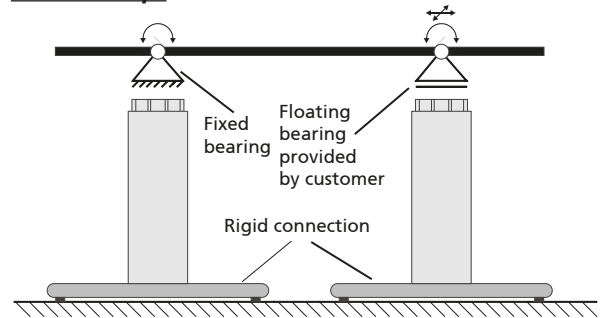


Table frames are generally made of welded steel tubes and connecting plates that connect to the lifting columns. If the connecting plates are not lying flat on the lifting column, the synchronous system will distort during screw attachment.

Failure to address these mechanical errors may impair the running properties of the drive, shorten lifetime or damage the lifting column. If using an electronic control system, this may cause the output of error messages and render the system inoperable.

**Ideal set-up:**

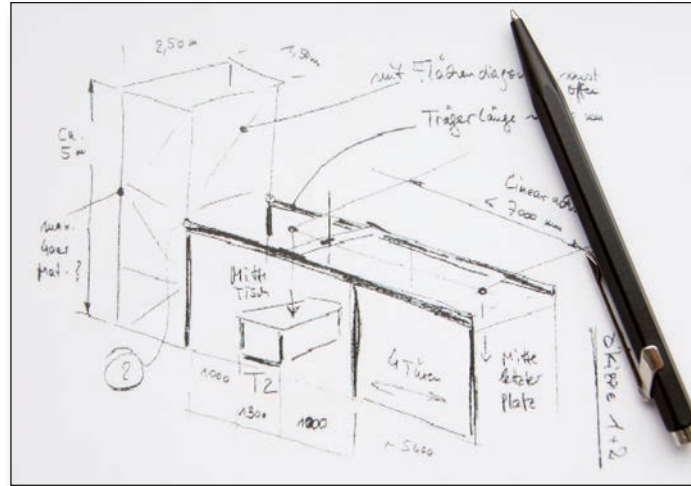


Surfaces at the foot and top of the columns must be at the same height, parallel to one another and as flat and even as possible, the columns themselves must also be aligned so that they are completely parallel. Existing tolerances and height differences due to control deviations are offset by means of a customer-provided floating bearing.

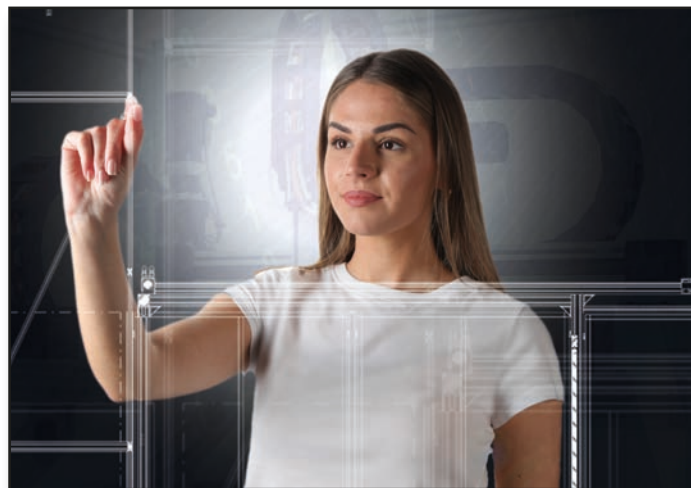
## Our service

Do you need to focus your resources on other tasks and are you looking for a competent partner you can rely on? Working in close collaboration with you, our specialists will develop solutions tailor-made to meet your needs. If you wish, we can also assemble and commission the units on site.

- Just make a sketch of your requirements

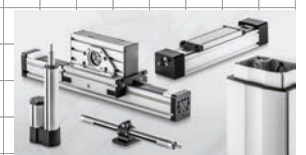
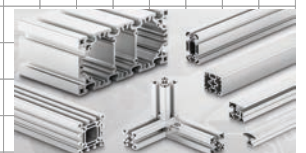
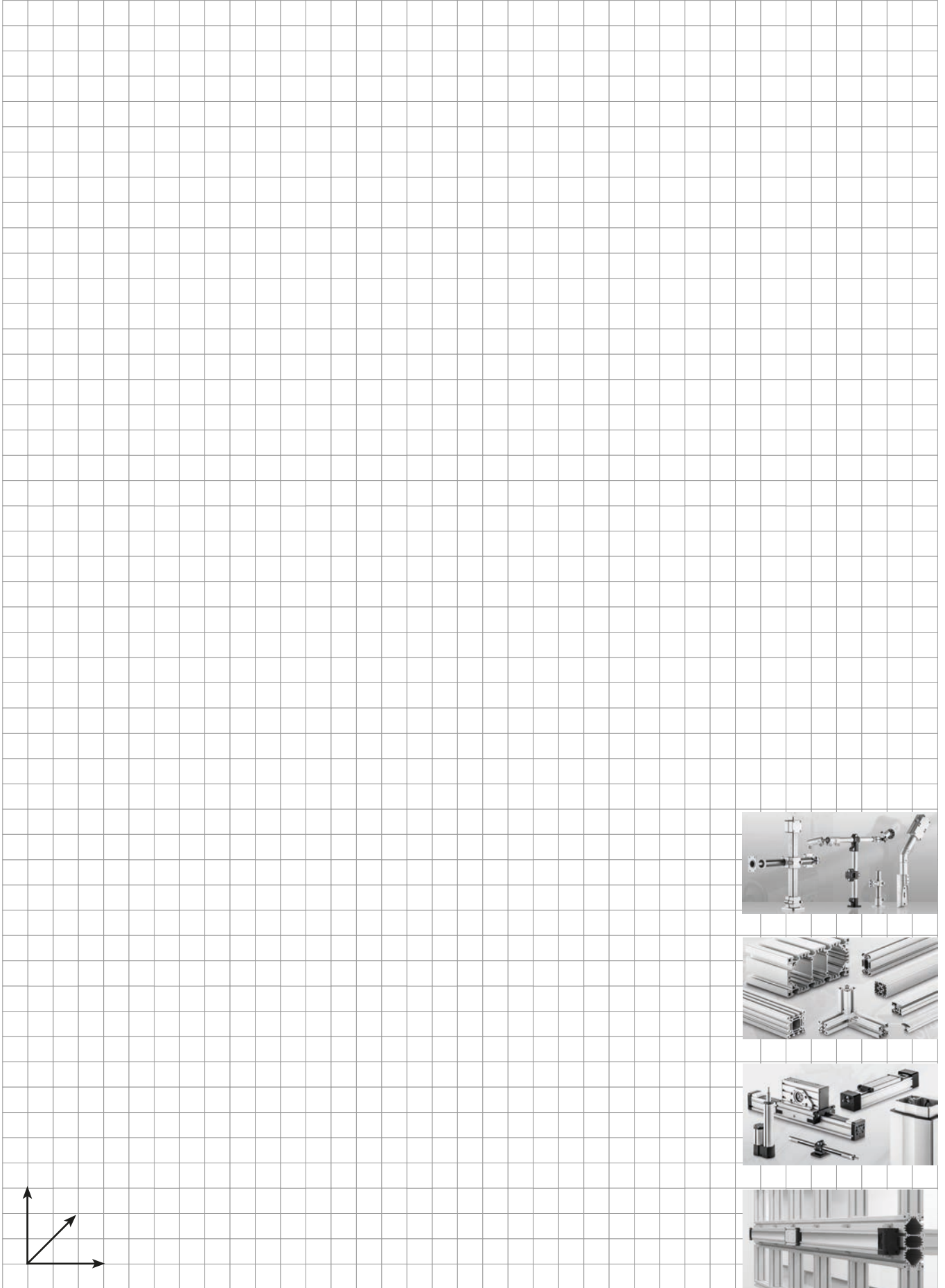


- Our product specialists will devise a solution for you



- We can deliver your turnkey solution or assemble and commission it for you on site







## Our product ranges

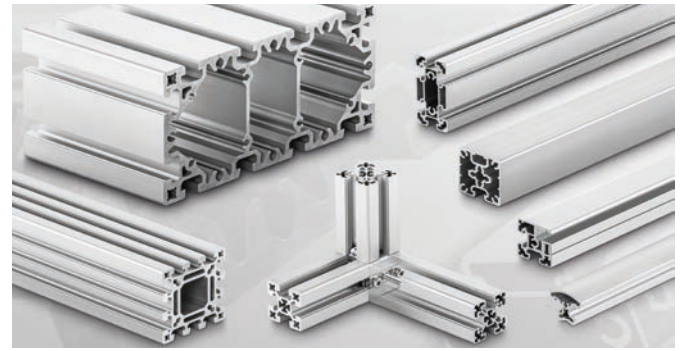
### CONNECTING TECHNOLOGY

- ✓ Fittings for the secure clamp connection of round and square tubes
- ✓ Elements made of aluminium, stainless steel and plastic
- ✓ Sizes from 8 mm to 80 mm



### PROFILE TECHNOLOGY

- ✓ The tried and tested BLOCAN® aluminium assembly system
- ✓ Sections from 20 mm to 320 mm for all applications
- ✓ Connecting technology with an unsurpassed combination of flexibility and reliability



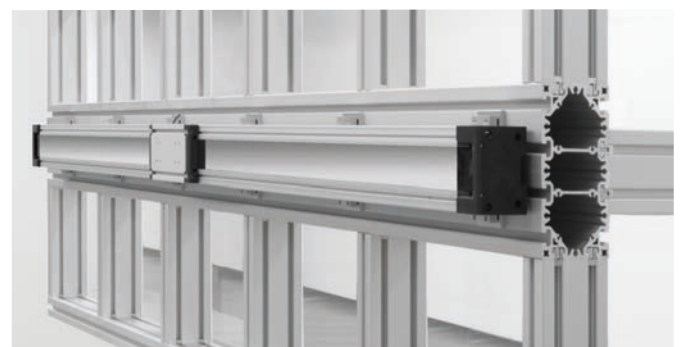
### LINEAR TECHNOLOGY

- ✓ Manual adjustment units
- ✓ Electric cylinders
- ✓ Lifting columns
- ✓ Linear axes
- ✓ We can move loads for you of up to 3 t and up to 12 m dynamically, reliably and with great precision



### MODULE TECHNOLOGY

- ✓ Machine frames
- ✓ Workstations
- ✓ Machine guards
- ✓ Multidimensional linear axis modules
- ✓ Complete drive solutions



- A**
- Adapter cable ..... 149
  - Adaptor bar ..... 78
  - Adaptor bar for Multilift ..... 40, 53
  - Appendix ..... 160
  - Assembly plates ..... 69, 89, 99
  - Axial adjustment ..... 114, 124
- B**
- Base plate ..... 89
  - Bearing block for clevis ..... 112
  - Bearing block for clevis head ..... 122
  - Bearing block for clevis mounting ..... 113, 123
- C**
- Clevis head ..... 112, 122
  - Clevis mounting for swivel head ..... 112, 122
  - Compact-e-3-EU ..... 158
  - Connecting cable ..... 147
  - Controls & Accessories ..... 126
- E**
- Electric cylinder ..... 103
  - Enquiry form e-cylinders ..... 163
  - Enquiry form lifting columns ..... 162
- F**
- Fixing plate ..... 24, 42
  - Foot ..... 22, 44, 32, 52
  - Foot switch with 2 function keys ..... 149
  - Foot versions ..... 70, 80, 100
- G**
- Glossary ..... 164
- H**
- Hand switch drawer ..... 148
  - Hand switches ..... 159
  - Hand switches with 2 function keys ..... 148
  - Hand switches with 6 function keys ..... 148
- I**
- IEC cable ..... 146
  - I/O - Interface ..... 154, 156
- L**
- Lifting columns ..... 12
  - LZ 60 ..... 106, 116
  - LZ 60 P Version ..... 119
  - LZ 60 S Version ..... 109
- M**
- Magnetic switch ..... 115, 125
  - Mounting bracket ..... 79
  - MultiControl II duo ..... 130
  - MultiControl II quadro ..... 138
  - Multilift ..... 34
  - Multilift II ..... 54
  - Multilift II telescope ..... 90
  - Multilift II with internal carriage ..... 72
- P**
- Profile adapter ..... 23, 33
- R**
- Remote hand switch with 2 function keys ..... 149
  - RK Powerlift M ..... 82
  - RK Slimlift ..... 16
  - RK Slimlift EM ..... 26
  - RK SyncFlex H ..... 68, 88, 98
  - RK SyncFlex V ..... 68, 78, 88, 98
  - RKX Interface ..... 150

**S**

Square nut ..... 23, 33, 88, 113, 123  
 Support struts ..... 69, 79, 99  
 Swivel flange ..... 113, 123  
 Swivel head..... 112, 122

**T**

Trunnion support blocks ..... 113, 123

While every effort has been made to ensure that the information in this catalogue was correct at the time of publication, no responsibility can be accepted for any errors or omissions. This catalogue supersedes all previous catalogues. In the interest of further technical development, we reserve the right to make modifications without prior notice. You can download all the latest catalogue data at our web site: [www.rk-rose-krieger.com](http://www.rk-rose-krieger.com)



**RK ROSE+KRIEGER**

A Phoenix Mecano Company

**RK Rose+Krieger GmbH**  
**Connecting and positioning systems**  
Potsdamer Straße 9  
32423 Minden, Germany  
Telephon +49 571 93 35-0  
Telefax +49 571 93 35-119  
info@rk-online.de  
www.rk-rose-krieger.com



Catalog PDF file  
to download

DE 1.000 Bösmann Nr.: 8100015180 01/2021 Printed in Germany