



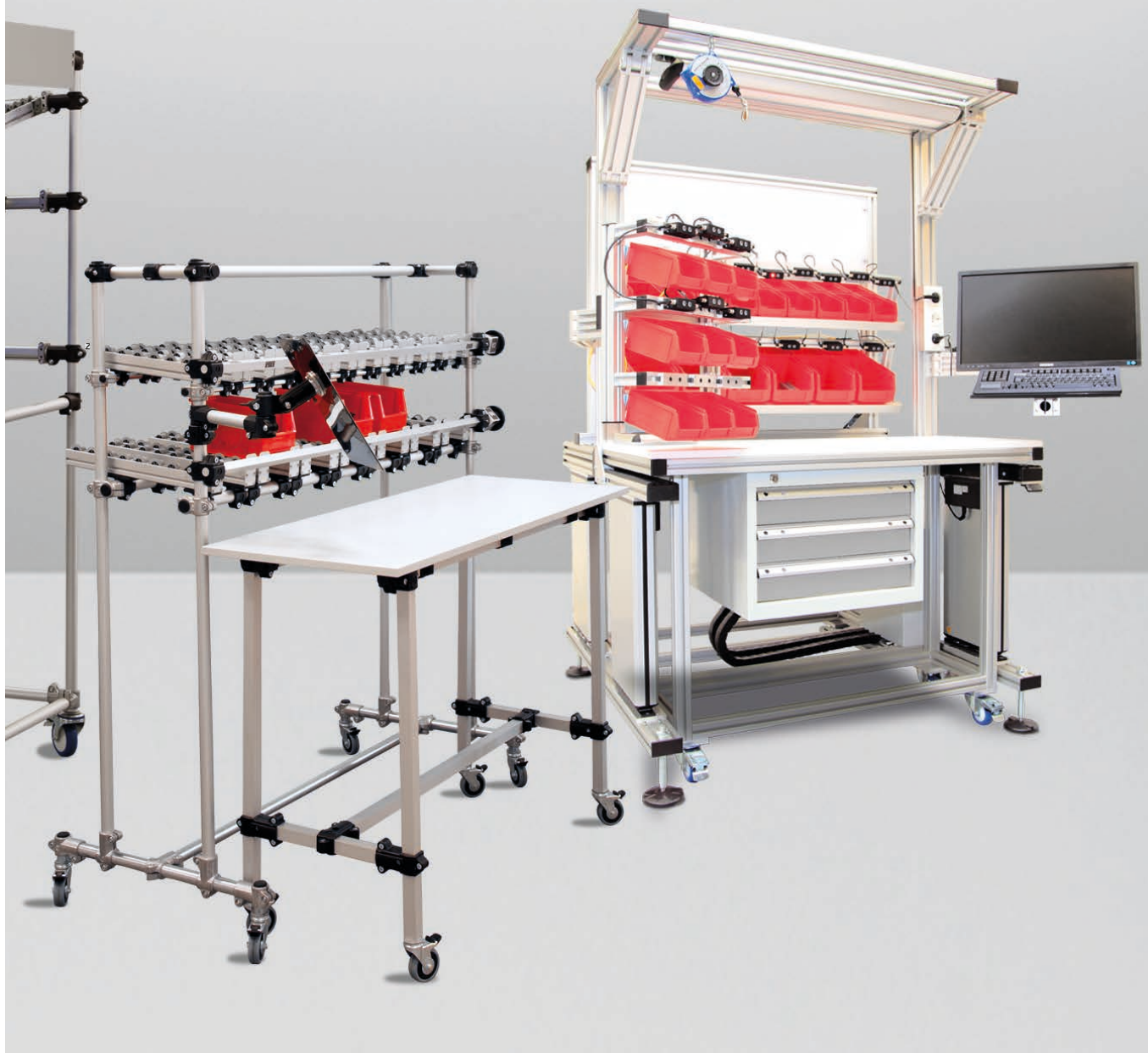
**RK ROSE+KRIEGER**

A Phoenix Mecano Company

**R** RENOWNED  
KNOW-HOW  
Automation Technology

## RK LEAN-Solution & RK Easywork

Tailored to your production process



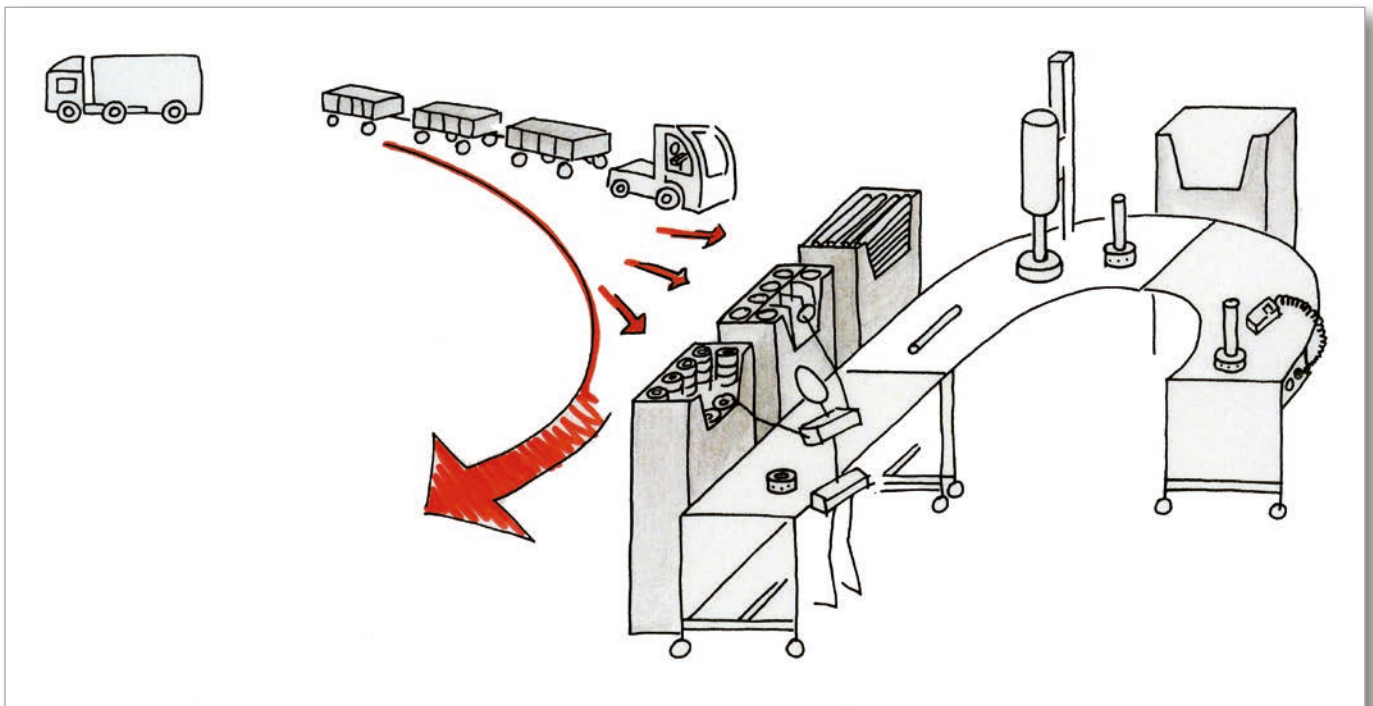
# RK LEAN-Solution & RK Easywork

## LEAN production

Lean production is the reduction of the 7 forms of waste (overproduction, waiting time, transportation, unnecessary processing, stocks, movement, rejects/reworking). A number of methods help to achieve shorter lead times and delivery times and significantly lower stock levels.

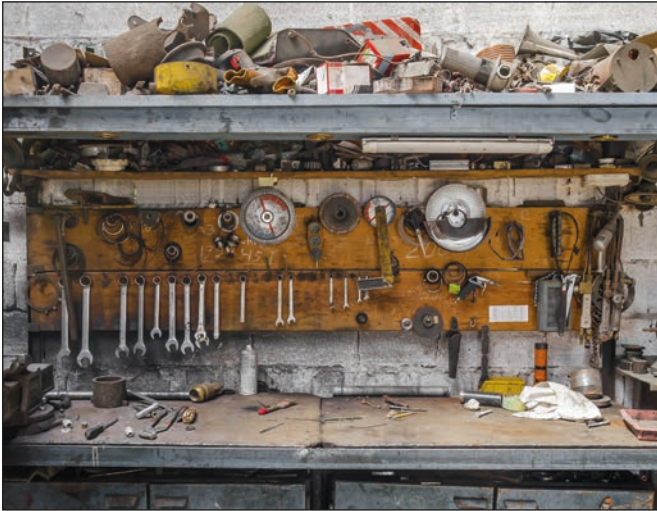
We at RK Rose+Krieger would like to provide you with support for your optimisation plans by constructing your workstations, shelves or transport trolleys in accordance with your concepts and lean and ergonomics principles so that they are adapted ideally to the process, material and personnel.

We also offer you optimised and individual transport trolleys, material supply using Kanban, or a combination of all of the above.



## Yesterday's workstations

Static, non-modifiable working environments. Employees had little to no options for making changes or adjustments.



## Today's workstations

The working environment adapts to constant changes. Employees constantly improve work procedures.



To achieve optimum results, humans and workstations must harmonise. We would be happy to advise you on how to design the working environment for your employees in the best possible way.



# RK LEAN-Solution & RK Easywork





## Shelves



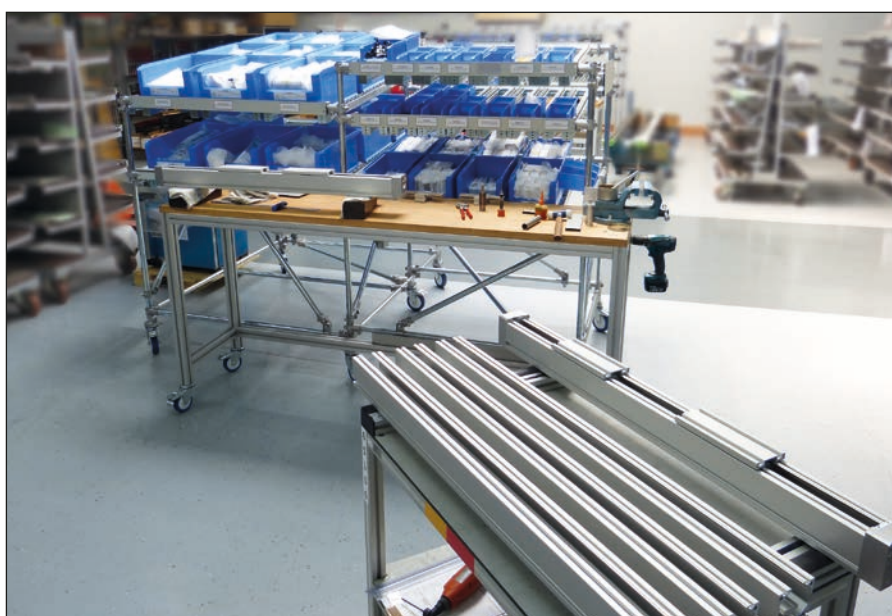
## Transport trolleys



# RK LEAN-Solution & RK Easywork

## RK LEAN-Solution individual workstations

The highest degree of efficiency in optimised workstations. You are familiar with your processes and your requirements. Our product specialists know the RK product portfolio. Together, we can develop the ideal solution for you. If you already have firm ideas, draw up a sketch and send it to our product specialists.



## Innovative process structuring – Efficient sequences

We are happy to share our many years of experience in the field of lean production with you.

## RK Easywork individual workstations

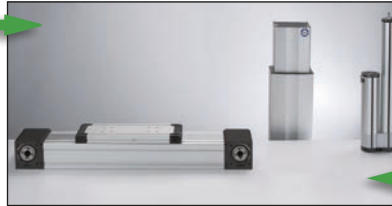
The RK Easywork workstation system is based on RK Rose+Krieger's complete modular system. We implement your ideas using our versatile RK product range.

### PROFILE TECHNOLOGY



Mix'n'match

### LINEAR TECHNOLOGY



Moving and positioning

### CONNECTING TECHNOLOGY

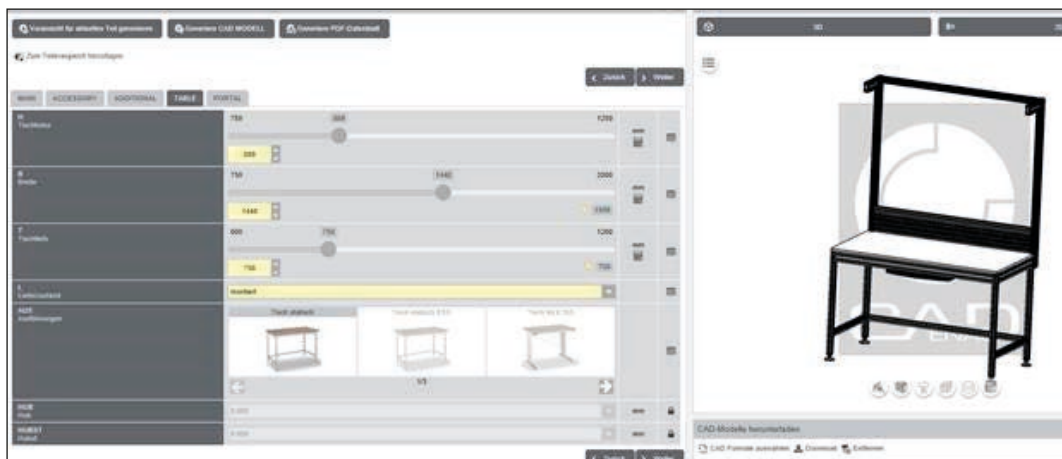


Clamp and release solutions

BLOCAN® construction profiles made from aluminium and the electrically driven lifting columns offer a perfect combination for the creation of high-quality table concepts. Customers can choose between the simplest static tables or electrically height-adjustable work tables and configure their own combinations. Are you interested in an assistance system? Contact us for further details.

## Use our online configurator

- ✓ Quick and simple operation
- ✓ Selection of table systems and accessories
- ✓ Immediate generation of CAD data in native formats
- ✓ Quotations can be requested simply based on the selected components
- ✓ You receive a written quotation promptly



## Compilation of a workstation system

- We will be happy to help with the design of your table systems
- Please contact us at:  
[anfrage.vertrieb@rk-online.de](mailto:anfrage.vertrieb@rk-online.de)  
  
Telephone: 0571/9335-801
- Calculation details can also be found on our homepage:  
[www.rk-rose-krieger.com/service](http://www.rk-rose-krieger.com/service)

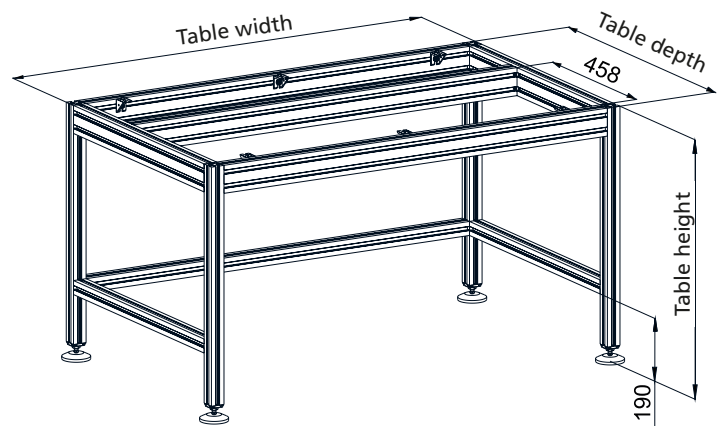




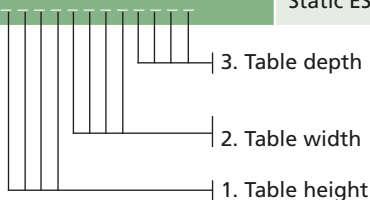


**Work table: static**

- Base frame made from profile 40 x 40 and 40 x 80
- Variable height (min. 750 mm max. 1250 mm), width and depth of the table
- ESD accessories available
- Different table top material options
- Optional portal which can be configured with accessories
- Various drawer cabinet versions



Code No.	Type RK Easywork table	Height max.	Width max.	Depth max.
W10M1_-----	Static / assembled	1250	2000	1200
W10U1_-----	Static / unassembled			
W11M1_-----	Static ESD / assembled			
W11U1	Static ESD / unassembled			



### Work table: electrically height adjustable with Multilift II

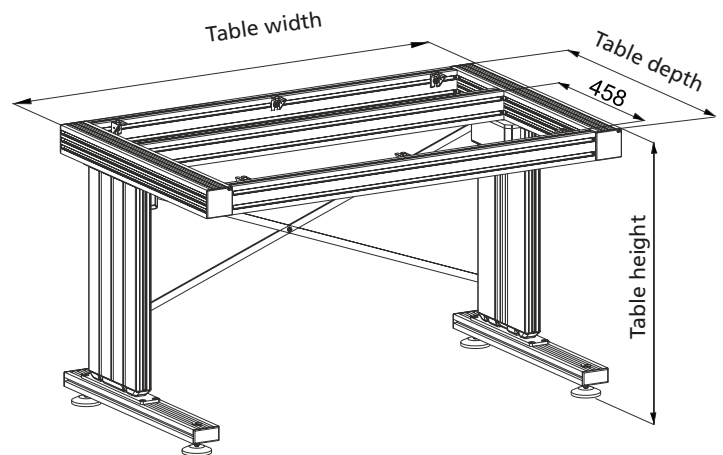
Multilift II ESD  
(electrostatic discharge)



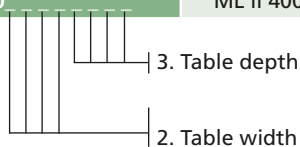
Multilift II impact  
(integrated damping)



- Height adjustment using dual-column system (Multilift lifting columns), various designs
- Adjustment using 6-key hand switch/2-key hand switch and an electronic MultiControl synchronous controller
- Min. table height = 726 mm  
Max. table height = 1171 mm
- Wide range of configuration and equipment options, as with the static version



Code No.	Type RK Easywork table	Height min.	Height max.	Width max.	Depth max.
W12M11081	ML II 355 assembled	726	1081	2000	1200
W12U11081	ML II 355 unassembled	726	1081		
W12M11171	ML II 400 assembled	771	1171		
W12U11171	ML II 400 unassembled	771	1171		
W13M11081	ML II 355 ESD assembled	726	1081		
W13U11081	ML II 355 ESD unassembled	726	1081		
W13M11171	ML II 400 ESD assembled	771	1171		
W13U11171	ML II 400 ESD unassembled	771	1171		
W14M11090	ML II 355 impact assembled	735	1090		
W14U11090	ML II 355 impact unassembled	735	1090		
W14M11180	ML II 400 impact assembled	780	1180		
W14U11180	ML II 400 impact unassembled	780	1180		



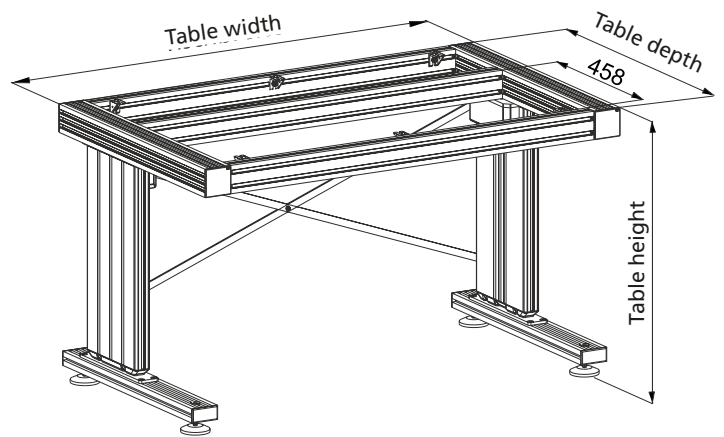


**Work table:  
electrically height adjustable  
with Multilift II telescope**

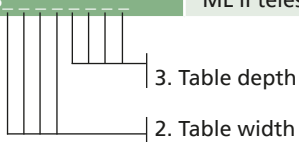
Multilift II telescope



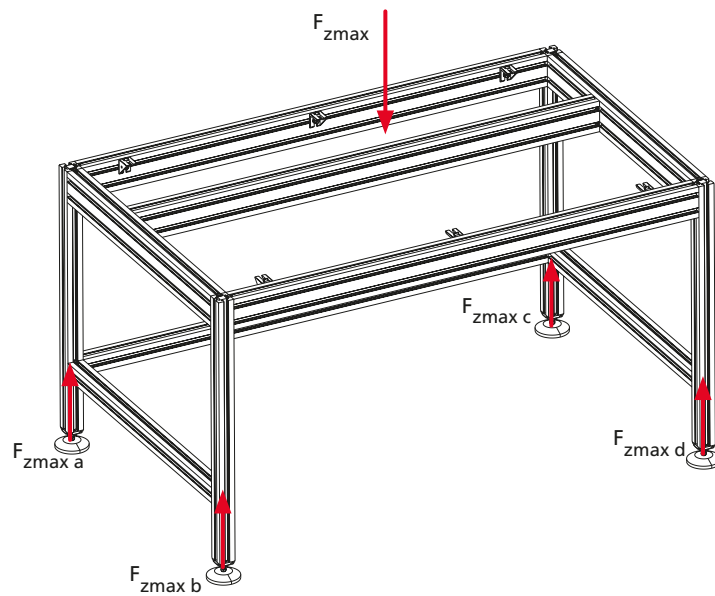
- Height adjustment using dual-column system (Multilift lifting columns), various designs
- Adjustment using 6-key hand switch/2-key hand switch and an electronic MultiControl synchronous controller
- Min. table height = 728 mm  
Max. table height = 1378 mm
- Wide range of configuration and equipment options, as with the static version



Code No.	Type RK Easywork table	Height min.	Height max.	Width max.	Depth max.
W15M11378_ _ _ _ _	ML II telescope assembled	728	1378	2000	1000
W15U11378	ML II telescope unassembled	728	1378		

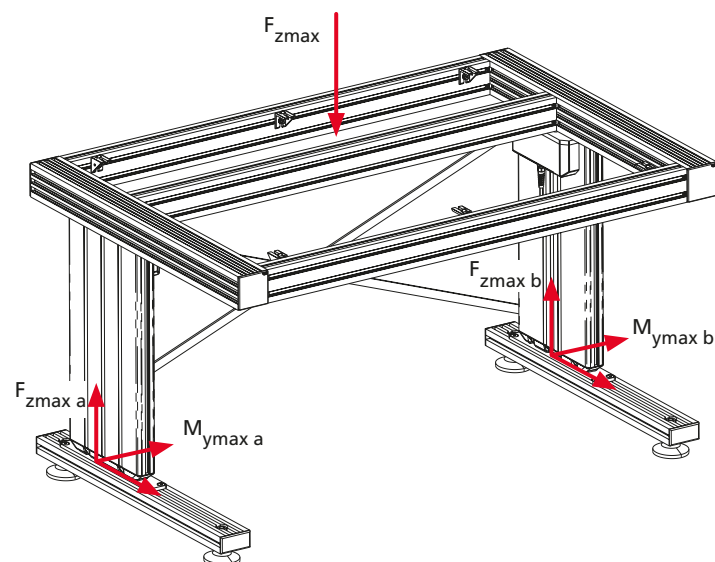


### Work table: static



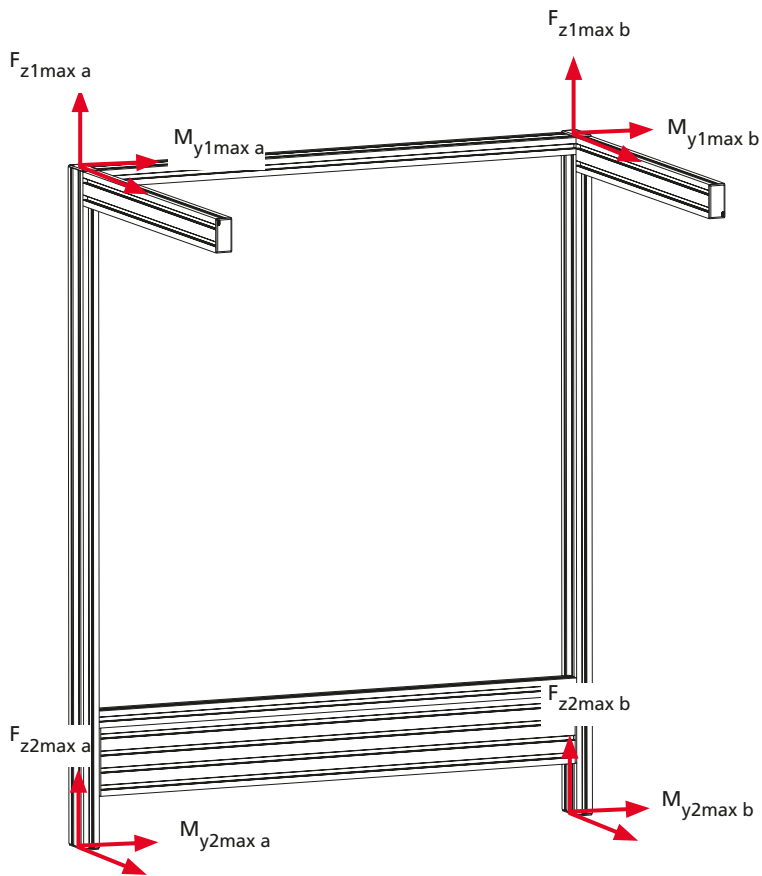
Work table static	
$F_{zmax\ a}$	800 N
$F_{zmax\ b}$	800 N
$F_{zmax\ c}$	800 N
$F_{zmax\ d}$	800 N
$F_{zmax}$	3200 N

### Work table: electrically height adjustable



Work table (a = left/b = right)	
$F_{zmax\ a}$	2000 N
$M_{ymax\ a}$	200 Nm
$F_{zmax\ b}$	2000 N
$M_{ymax\ b}$	200 Nm
$F_{zmax}$	4000 N

## Rear gantry



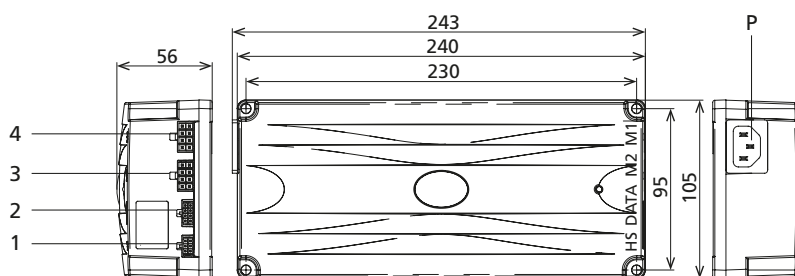
rear gantry (a = left/b = right)	
$F_{z1max a}$	1600 N
$M_{y1max a}$	150 Nm
$F_{z1max b}$	1600 N
$M_{y1max b}$	150 Nm
$F_{z2max a}$	3500 N
$M_{y2max a}$	400 Nm
$F_{z2max b}$	3500 N
$M_{y2max b}$	400 Nm

### Controller for height-adjustable work tables: MultiControl II duo

- Duty cycle, overcurrent and temperature monitoring for overload protection as standard
- Intuitive operation thanks to hand switch with graphics-capable display screen (6-key hand switch)
- The hand switch can be used to perform multiple functions, such as the storage of intermediate positions or user changes (6 positions can be saved)
- Simple connection to the master control system level using serial interface (RS-485) and standardised bus protocol (Modbus ASCII)
- Energy-efficient overall system (control incl. hand switch) thanks to switched-mode power supply with wide-range input (standby consumption < 0.5 watts)
- LED for visual status indication
- Connection of external sensors
- **Scope of delivery:** without IEC cable (see table on page 12)
- Fastenings are included with the basic version of the work table



- 1 HS = Hand switch plug connector
- 2 DATA = Interface for sensors (e.g. safety edge and synchronisation bus)
- 3 M2 = Motor connector 2
- 4 M1 = Motor connector 1 (must always be assigned)
- P = Power socket



Code No.	for drive	Weight
QST11H12AA000	Multilift II, Multilift II ESD	1 kg
QST12H12AA000	Multilift II telescope	1 kg
QST13H12AA000	Multilift II impact	1 kg

## IEC cable



**F**  
(Europe)



**J**  
(Switzerland)



**G**  
(United Kingdom)



**B**  
(Japan, USA)

Code No.	Version	Type	Cable length
QZD070618	IEC cable (European version, earthed plug)	F	1.80 m
QZD020159	IEC cable (Swiss version, earthed plug)	J	1.80 m
QZD070619	IEC cable (UK version, earthed plug)	G	1.80 m
QZD070631	IEC cable (Japanese version, earthed plug)	B	1.80 m
QZD070622	IEC cable (US version, earthed plug)	B	2.00 m

## Hand switch with display screen

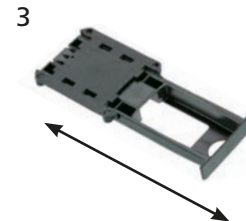
(6 function keys)

## Hand switch without display screen

(2 function keys)

## Hand switch drawer

- Fastenings are included with the basic version of the work table



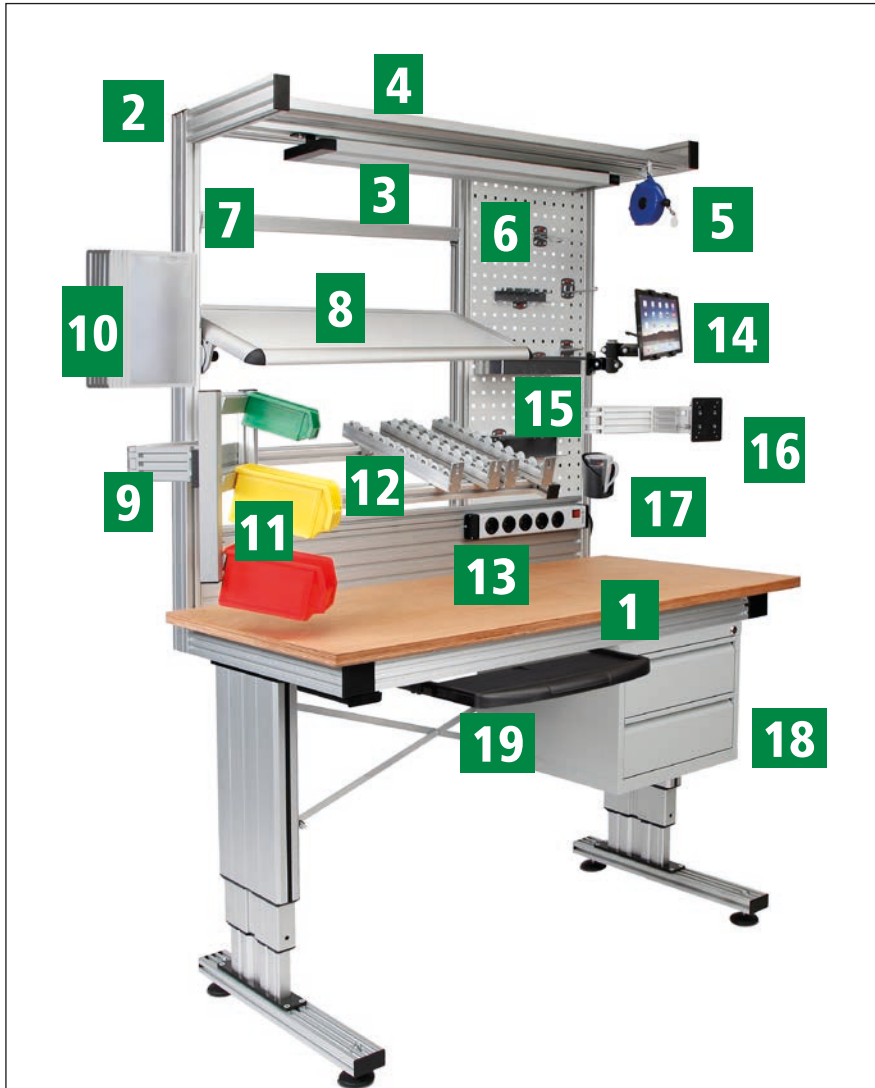
Code No.	Version	Fig.	Weight
QZB11G07AV041	Hand switch with 6 function keys and display screen – 1 m spiral cable	1	0.17 kg
QZB11G07AB041	Hand switch with 2 function keys – 1 m spiral cable	2	0.15 kg
QZD000074	Hand switch drawer for hand switches with 6 and 2 function keys	3	0.11 kg

**Standard version:**

The attachments are supplied loose with the base table (includes assembly instructions).

**Special version:**

You receive your work table fully assembled with all the desired attachments.

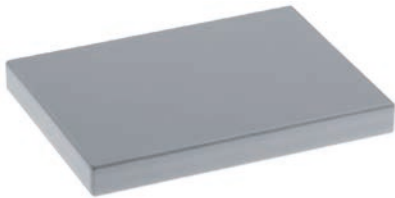


- |   |                                 |                                 |
|---|---------------------------------|---------------------------------|
| <b>1</b> Table top                      |                                 | <b>14</b> RK monitor mounting   |
| <b>2</b> Frame/gantry                   | <b>8</b> Material tray level    | <b>15</b> Tool holder           |
| <b>3</b> LED lamp                       | <b>9</b> Pivoting material rail | <b>16</b> Monitor holder        |
| <b>4</b> Runner profile                 | <b>10</b> Document holder       | <b>17</b> Cup and device holder |
| <b>5</b> Balancer                       | <b>11</b> Grab containers       | <b>18</b> Drawer cabinet        |
| <b>6</b> Perforated boards/tool holders | <b>12</b> Roller conveyors      | <b>19</b> Keyboard shelf        |
| <b>7</b> Mounting rail                  | <b>13</b> Power supply          | <b>20</b> PC holder (page 31)   |



# 1 Table top

Different board materials can be selected depending on the area of application.



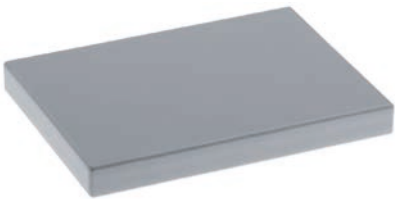
## Laminated particleboard (HPL, MFB)

Decorative, plastic-coated, easy-care, banded edges



## Beech multiplex panel

High load-bearing strength and flexural strength, easy to machine



## ESD table top

Volume conductive particleboard core, high resistance to abrasion

Code No.	Type	Thickness	Max. size	Weight [kg/m²]
4012601	Laminated particleboard (melamine), light grey	22 mm	1200 x 2000 mm	15.0
4012602	Laminated particleboard (HPL), light grey	23 mm		15.0
4012603	Oiled multiplex board, beech	30 mm		25.0
4012604	Oiled multiplex board, beech	40 mm		34.0
4012605	ESD table top (HPL), light grey	20 mm	2007 x 2080 mm	13.0
4012606	ESD table top (HPL), light grey	30 mm	2007 x 2080 mm	19.5

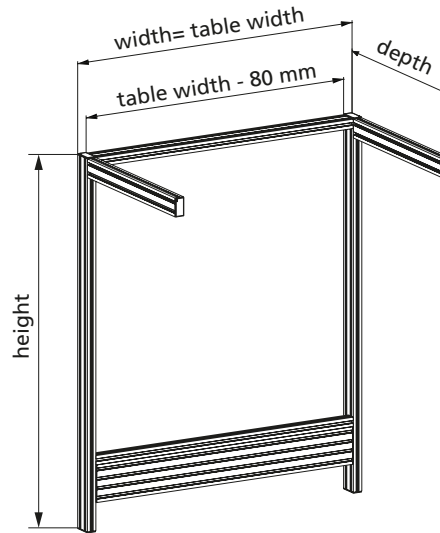
Further versions available on request. Cut to specification.  
ESD mat, see page „ESD table mat“ on page 32.

## 2 Frame/Gantry

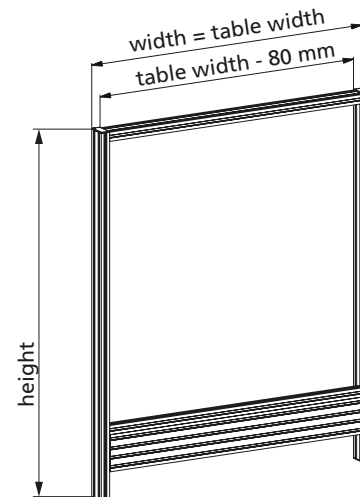
The frame/gantry is fitted to the rear of the tables and is used to mount lamps, grab containers, aids and tools etc.

**Attention:** The fixing set is not included in the scope of delivery and must be ordered separately (see table "Fixing set" below).

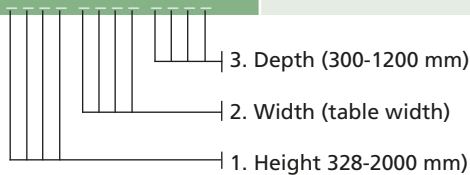
Rear gantry



Rear frame



Code No.	Type
W17M1	Rear gantry, assembled, ESD compatible
W17U1	Rear gantry, unassembled, ESD compatible
W18M1	Rear frame, assembled, ESD compatible
W18U1	Rear frame, unassembled, ESD compatible



Fixing set

Code No.	Type
2x WAC042000300	Fixing set, static table
2x WAC042000301	Fixing set, electrically height adjustable dual-column system

### 3 LED lamp

(Workstation lighting, protection rating IP40, protection class I)

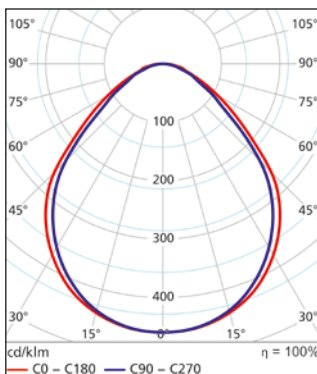
Low-fatigue and efficient working requires an absolutely glare-free design and arrangement of lighting. The even illumination of the work surface is also imperative. It is a proven means of reducing error rates and increasing the performance of the employee.

#### Areas of application:

- ✓ Lighting for industrial assembly workstations and for general illumination  
Temperature range: Ta -20°C to +40°C

#### Lighting technology:

- ✓ Optimised lighting technology using prismatic structured cover with a high level of transmission and diffuser foil
- ✓ Unidirectional structure makes for homogeneous appearance
- ✓ Even all-round glare elimination
- ✓ No direct image of the LED light source visible  
LED service life: >100,000 h (L80/B10)
- ✓ Colour temperatures\*: 4000 K (NW)  
Colour reproduction index: Ra >80
- ✓ Dimming by reducing the power of all LEDs, no partial deactivation



**Dimensions:**  
Length 982 mm  
Width 174 mm  
Height 28 mm

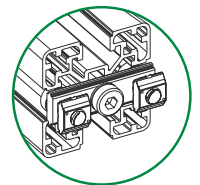


Scope of delivery: fastenings included

Code No.	Type	LED current	Number of LEDs	System output at 100% operation	Light source luminous flux Light colour NW	Weight
WAC042000208	LED lamp	100 mA	90	31 W	3,200 lm	3.5 kg

- ✓ Permissible operating voltage:  
220 – 240 V AC, 50/60 Hz  
Output voltage SELV equivalent 20 – 54 V  
Overload and over-temperature protection  
Service life > 100,000 h (<B10)
- ✓ DALI interface, used internally for the dimming function, light source dimmable down to 1%
- ✓ Light management:  
Integrated button with TouchDIM functionality, thus facilitating continuously variable dimming with save function for the desired setting for optimised lighting level
- ✓ Housing:  
Lamp housing made of corrosion-resistant aluminium (anodised) with large-area connection for LED modules for optimum heat dissipation (lamp housing simultaneously acts as heat sink)  
Housing end caps made from cast aluminium, powder-coated, black
- ✓ Lamp cover made from UV-resistant PMM with integrated prismatics for light deflection
- ✓ Electrical connection: power connection via integrated plug connection, 3-pin
- ✓ Lamp, including pre-fabricated connection cable, 3 m with earthed plug

Fastenings  
(Flange bracket)

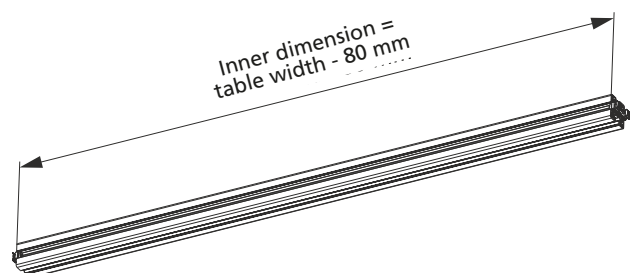


#### Installation on portal:

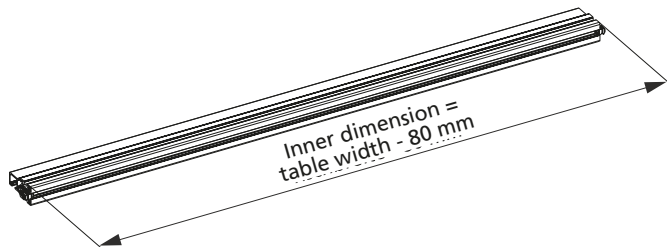
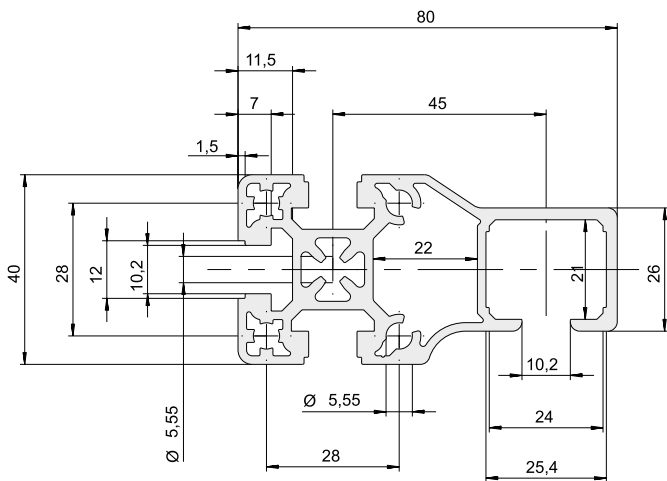
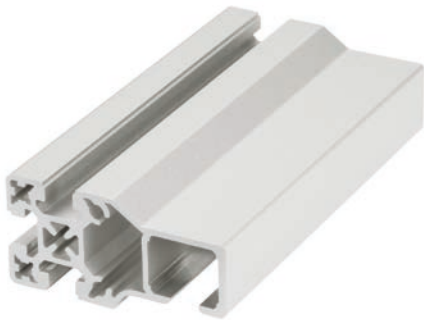
An assembly profile is required.  
Please state the inner dimension.  
Scope of delivery: fastenings included.

Code No.	Type	Weight
WAC042000314	Installation profile for LED lamp	1.28 kg

Inner dimension of assembly profile (length)

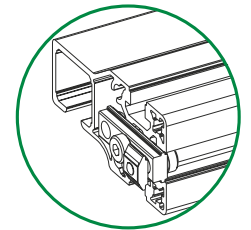


## 4 STP 40 runner profile



The runner profile is fitted to the portal, and is used to guide tools and aids (e.g. balancer, see below).

**Material:** aluminium profile, bright anodised,  
**Weight:** 2.2 kg/m



Fastenings  
(flange bracket)

### Installation on portal:

Please state the inner dimension.

Includes:

fixing material and 1 piece of carriage for balancer

Code No.	Type
WAC042000160	Carriage for balancer
WAC042000308	Runner profile

Inner dimension of runner profile (length)

## 5 Balancer

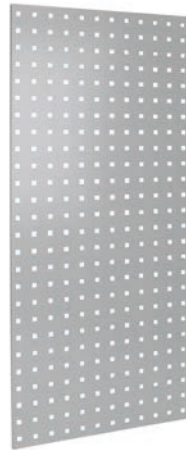
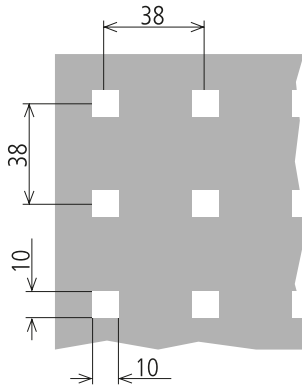


The balancers make it possible to position tools "weightlessly" in the workstation so that they are within convenient reach. In order to guarantee optimum function, the entire weight of the tool (including any supply lines) must be within the specified load capacity range. The exact load capacity can be set on the device as required.

**Material:** housing made of impact resistant plastic,  
Stainless steel cable

Code No.	Load capacity range	Cable travel	Weight
WAC042000161	0.5 - 1.5 kg	1.7 m	0.3 kg
WAC042000162	1.5 - 3.0 kg	1.7 m	0.4 kg
WAC042000163	3.0 - 4.0 kg	1.7 m	0.5 kg

## 6 Perforated boards



The metal perforated boards can be fastened to the portal as panelling or a tool holder mount. The sheets have an impact and scratch resistant coating (RAL 7035).

Dimensions 450 x 1000 mm, sheet thickness 1.5 mm

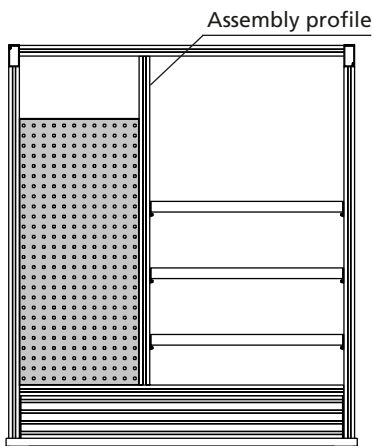
The perforated boards can be fastened to the portal frame as required (on the left or right, in the middle, on the right and left). Alongside the perforated boards, the installation of the mounting rail for grab containers can also be useful (see page 20). This way, tools and assembly material are conveniently within reach.

When using perforated boards:

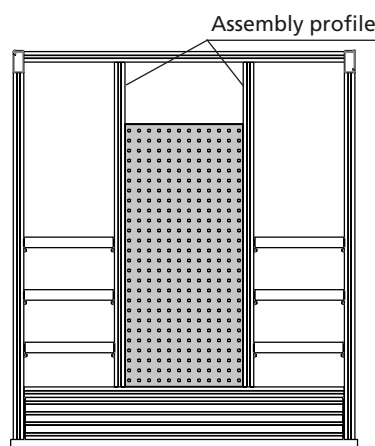
Minimum portal height = 818 mm

Maximum portal height = 2000 mm

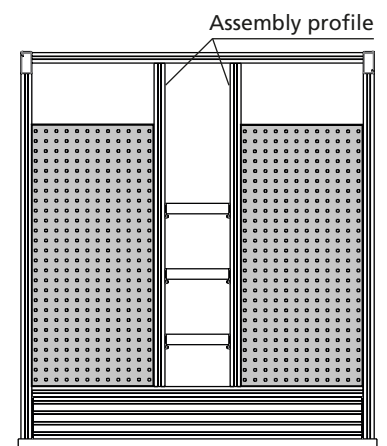
### Configuration examples:



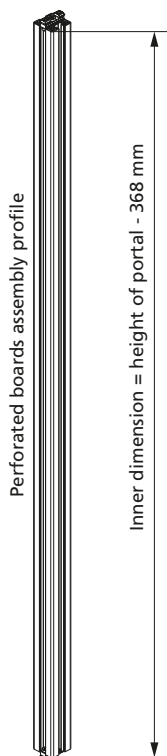
Perforated board on left or right  
(from table width >770 mm)



Perforated board in middle  
(from table width >1010 mm)



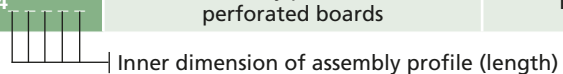
Perforated board on left & right  
(from table width >1260 mm)



Fixing set



Code No.	Type	Weight
WAC042000335	Perforated boards 450 x 1000 mm	5.12 kg
WAC042000149	Fixing set (set of 4)	0.11 kg
WAC042000314	Assembly profile for perforated boards	1,28 kg



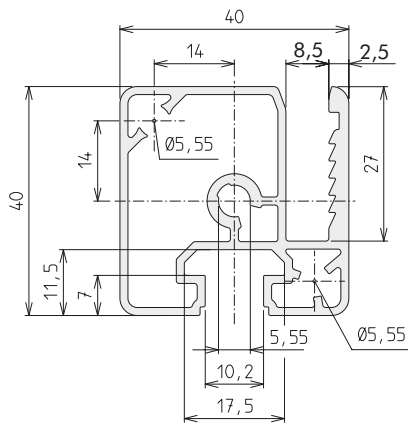
## 7 Mounting rail (ESP 40 x 40) for grab containers

The grab containers are simply attached to the profile slot and positioned. The assembly profile can be ordered with a pivoting fixing set as required.

**Material:** aluminium profile, bright anodised

**Weight:** 1.1 kg/m

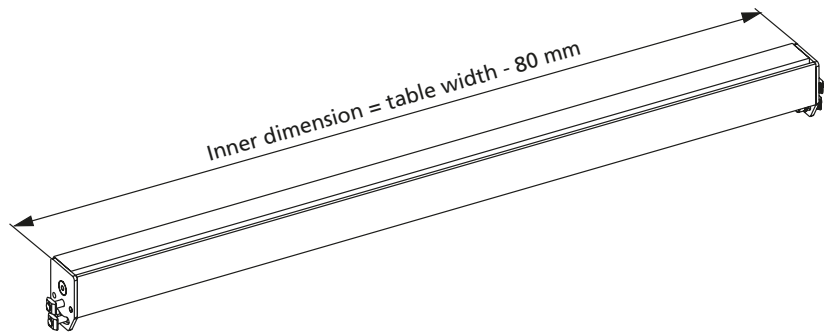
**Scope of delivery:** fixing set included



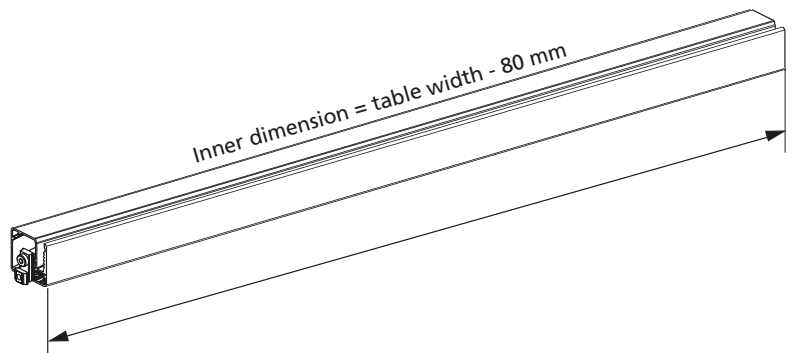
### Clamping lever for "pivoting" fixing set



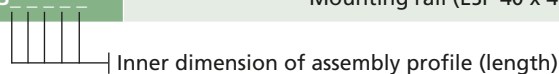
### Mounting rail (ESP 40 x 40) for grab containers, "pivoting"



### Mounting rail (ESP 40 x 40) for grab containers, "non-pivoting"



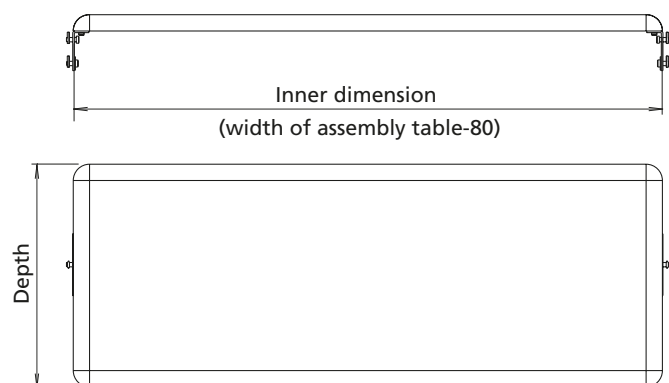
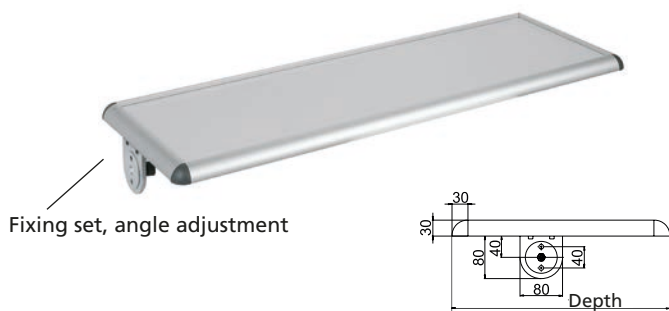
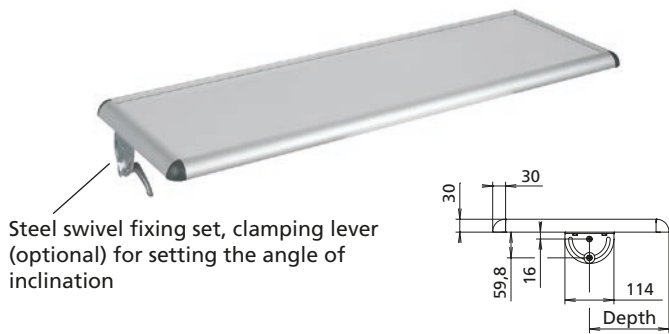
Code No.	Type	Weight
2x 90210	Clamping lever for pivoting fixing set	0.04 kg
WAC042000307	Mounting rail (ESP 40 x 40), pivoting	1.15 kg/m
WAC042000313	Mounting rail (ESP 40 x 40), non-pivoting	1.10 kg/m



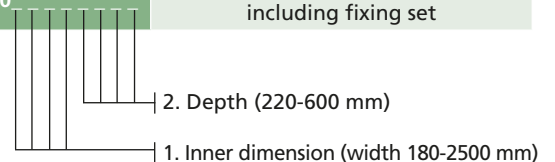
**8** Material tray level

The material tray level is used to mount grab containers, tools or other aids. The level can be fastened to the portal at any height, and pivots in a longitudinal direction as required.

**Pivoting range: ± 90°**

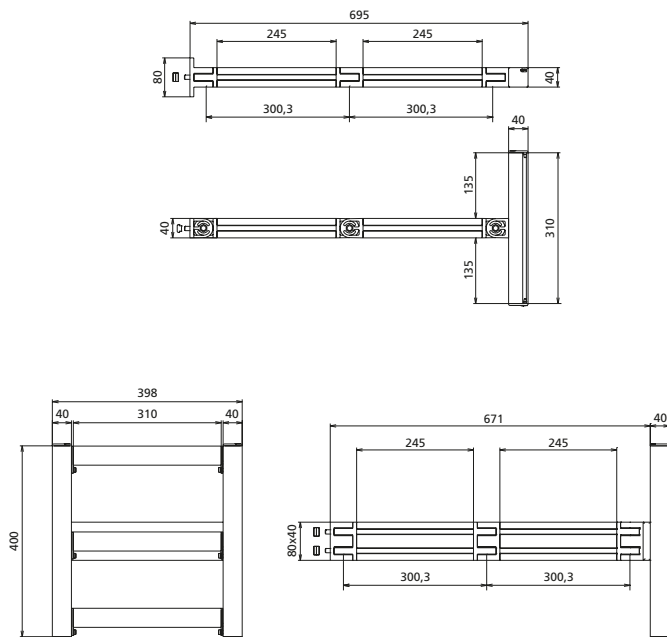


Code No.	Type
W19M20030_-----	Material tray level with angle adjustment including fixing set
W20M20030	Material tray level with steel swivel including fixing set



Code No.	Type
2x WAC042000144	Steel swivel with fixing set
2x WAC042000145	Clamping lever for fixing set

## 9 Pivoting material rail



The pivoting material rails can be equipped with grab containers (see page 24) and pulled into the ergonomic working position as required.

### Load capacity:

Single material rail max. 10 kg

Triple material rails max. 20 kg

Pivoting range: 180° for each joint

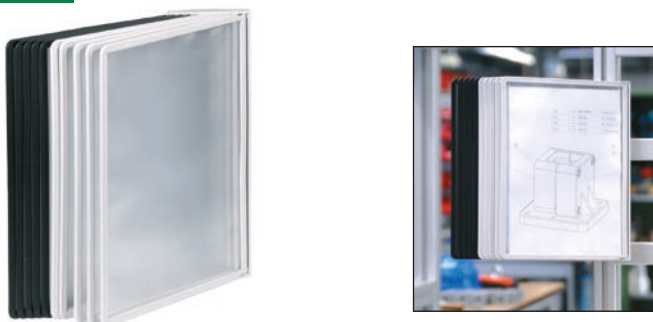


Single material rail (fixed)

Triple material rails (inclining)

Code No.	Type	Weight
WAC042000056	1 material rail	1.1 kg
WAC042000057	3 material rails	2.7 kg

## 10 Document holder



The document holder (10x, A4) can be fitted to the portal using the fixing set included in the scope of delivery. Drawings, assembly instructions and other important documents are thus ergonomically within reach at all times.

Code No.	Type	Weight
WAC042000024	Document holder	1 kg

## 11 Grab containers



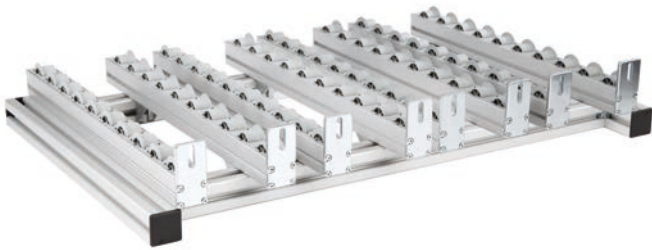
Plastic container for storing assembly material. Different colours and sizes available.



Code No.	Type	Colour	Weight
WAC042000114	170 x 100 x 50 mm (0.5 litres)	blue	0.08 kg
WAC042000112		green	
WAC042000111		yellow	
WAC042000113	160 x 100 x 75 mm (0.9 litres)	red	0.1 kg
WAC042000119		blue	
WAC042000117		green	
WAC042000116	230 x 150 x 122 mm (2.7 litres)	yellow	0.25 kg
WAC042000118		red	
WAC042000124		blue	
WAC042000122		green	
WAC042000121	230 x 150 x 122 mm (2.7 litres)	yellow	0.25 kg
WAC042000123		red	



## 12 Roller conveyors



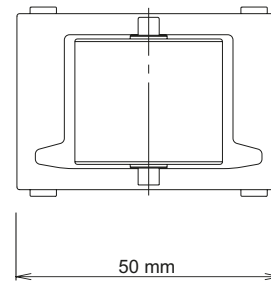
- Using roller conveyors, Kanban modules can easily be created and integrated into the Easywork tables in accordance with the customer's requirements.
- The roller elements each have a length of 50 mm. They can be inserted/clipped into the roller conveyor profile.
- The length of the profile track has to be ordered to suit the number of roller elements.

### Roller conveyor profile



Code No.	Type	Weight
WAC042000330	Roller conveyor profile 6 mtr. bar	7,8 kg
WAC042000324	Roller conveyor profile	1.3 kg/m

Length of roller conveyor



### Roller with flange



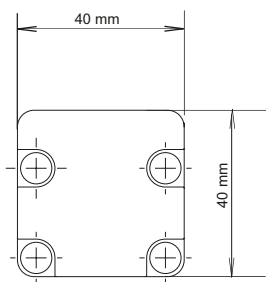
### Roller without flange



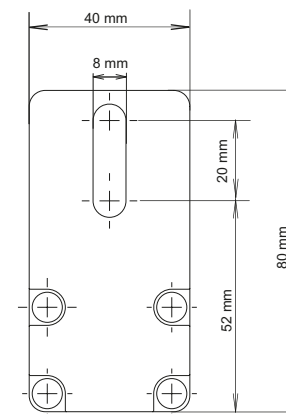
Code No.	Type	lot sizes	Load capacity	Weight
WAC042000322	Roller with flange	10, 20, 30... pcs	150	0.018 kg/pcs
WAC042000321	Roller without flange			0.016 kg/pcs

### End plates: galvanised steel, including 4 screws

40x40x5



40x80x5

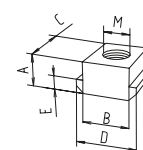


Code No.	Type
WAC042000326	End plate 40 x 80 x 5
WAC042000325	End plate 40 x 40 x 5

### Slot stone -N-

This slot stone slides into the end of the profile slot.

**Material:** galvanised steel



Code No.	Type	lot sizes	Slot geometry*	A	B	C	D	E	M	[mm]
4026203	M6	10, 20, 30... pcs	40	8	10	13	15	4	M6	

\*RK profile system slot geometry

## 13 Power supply Socket strips



90° turned sockets in plastic housing, 1.5 m supply cable with molded earthing contact plug, max. connection load of 3600 W

45° turned sockets in aluminum housing-frame, 2.0 m supply cable without plug, max. connection load of 3600 W

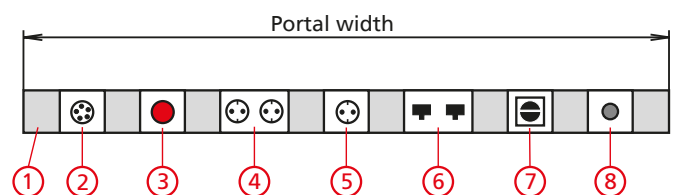
Code No.	Type of socket strip	Weight
WAC042000318	Fig. 1 centrally switching, including fixing set	0.8 kg
WAC042000319	Fig. 2 individually switchable, including fixing set	1.0 kg
WAC042000320	Fig. 3 non-switchable, including fixing set	0.6 kg

## Energy supply channel components available on request

The energy supply channel can be equipped with any combination of the individual components, and can be ordered on request.

Code No.	Type
WAC05	$L_{max} = 6004 \text{ mm}$

Total length including end caps (2 mm each)



- |                          |                         |
|--------------------------|-------------------------|
| 1. Energy supply channel | 5. Power socket         |
| 2. CEE power socket      | 6. Network outlet       |
| 3. Emergency stop button | 7. Toggle switch        |
| 4. Twin power socket     | 8. Pneumatic connection |

## 14 RK monitor mounting

These mounts for monitors, touch panels and other operating devices are flexible, provide many degrees of freedom and are thus suitable for universal use.

### RK monitor mounting (rotary flange)



### RK monitor mounting (ball joint)



### Monitor mounting (compact)



### Features

- Device connection using universal connecting plate or VESA connecting plate
- High-strength materials guarantee reliable processes and sustained loads
- Highly ergonomic working by adjusting the height to the body size of the operator
- Sideways turning for optimum setting of the field of vision
- Rotary flange and ball joint: vibration-proof inclination adjuster, latching in 15° increments
- Compact: half-cup version (makes subsequent assembly easier), optional reducing inserts available (round or square 20, 25, 30 mm)
- Connection to aluminium profile possible and thus to the machine frame using slot stones
- Universal fastening holes facilitate easy wall mounting

Code No.	Type RK monitor mounting	Weight	max. load
193000030C11	Rotary flange	0.37 kg	25 kg
193000042C11	Ball joint	0.34 kg	10 kg
193000052C11	Compact	0.29 kg	10 kg

### Connecting plate VESA 50/75, VESA 75/100



Code No.	Type	Weight
94372	50/75	0.67 kg
94371	75/100	0.80 kg

### Profile console



**Scope of delivery:**  
fastenings included  
to 40 slot geometry BLOCAN®

Code No.	Type	Weight
193000298C66	Profile console	0.27 kg

### Wall console

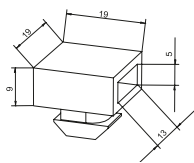


**Scope of delivery:** fastenings not included

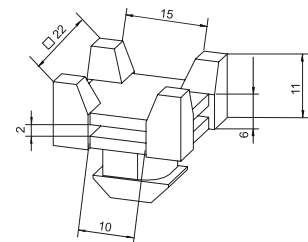
Code No.	Type	Weight
193000358C66	Wall console	0.36 kg

### Vario-Quick holding block K/KK

#### Type K



#### Type KK



Code No.	Type	lot sizes	Version
40181251	Holding block K	10, 20, 30... pcs	40 slot geometry*
40181271	Holding block KK	10, 20, 30... pcs	40 slot geometry*

\* RK profile system slot geometry

**Attention:** for further components see also the "Connecting technology" catalogue, chapter "Support arm/ equipment carrier systems", starting on page 254.

# 15 Tool holder

with inclined hook end, L=50



Code No.  
WAC042000097

double, with inclined hook end, L=50



Code No.  
WAC042000098

Magnetic holder, D=40



Code No.  
WAC042000099

Pliers holder, W=55/D=20



Code No.  
WAC042000100

Machine holder, D=60



Code No.  
WAC042000103

Grab container holder



Code No.  
WAC042000104

Tool holder for self-service packaging

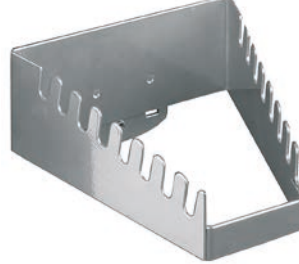


Code No.  
WAC042000315

The tool holders keep the workstation tidy and organised. They can be inserted into the perforated boards listed on page 21.

Impact and scratch resistant plastic coating, base plate thickness 1.5 mm, aluminium-coloured.

Screwdriver holder, 8x



Code No.  
WAC042000101

Screwdriver holder



Code No.  
WAC042000309

Round tin holder



Code No.  
WAC042000310

Hexagon socket key holder, D=1-11



Code No.  
WAC042000102

Storage box



Code No.  
WAC042000311

Shelf plate, W=350, D=125



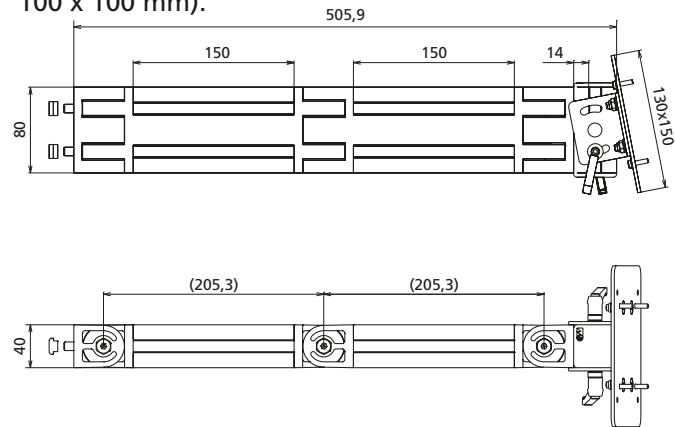
Code No.  
WAC042000105

## 16 Monitor holder



Pivoting range: 180° for each joint  
 Angle of inclination: ±10°  
 Load capacity: max. 15 kg

Monitor holder as a space-saving and ergonomic solution for your LCD screen. The height and inclination of the holder can be adjusted continuously variably. The scope of delivery includes a fixing set for connection to the workstation profile and an assembly plate with VESA hole pattern (75 x 75 and 100 x 100 mm).



Code No.	Type	Weight
WAC042000125	Monitor holder	3.17 kg

## 17 Cup and device holder

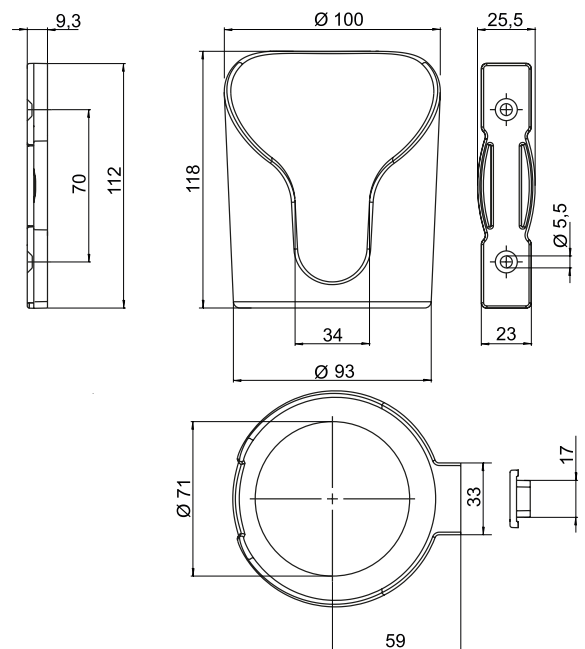
Open



Closed



Cup holder (open): tools and devices, e.g. drills, can be hung up securely.  
 Cup holder (closed): drinks are set down in a defined position and do not obstruct assembly work. The holder can be fastened directly to the profile slot. The fixing set is included in the scope of delivery.  
**Material:** plastic



Code No.	Type	Weight
401A532	Cup holder, open	0.15 kg
401A533	Cup holder, closed	0.17 kg

## 18 Drawer cabinet



Workbench drawer cabinet made from powder-coated quality steel plate. The drawers run on a precision telescopic guide. The drawer cabinet can be locked using a cylinder lock, and is supplied with two keys. Load per slide (drawer): 15 kg max.

A fixing set is included in the scope of delivery.

**Colour:** RAL 7035

Please note the required minimum width of the assembly workstations.

**Static tables:**

2 cabinets possible with a table width >1500 mm

**Two-column system:**

1 cabinets possible with a table width >1000 mm

2 cabinets possible with a table width >1600 mm

Code No.	Type	H x W x D	Weight
WAC042000304	1 drawer	230 x 460 x 550 mm	11.1 kg
WAC042000305	2 drawers	380 x 460 x 550 mm	15.8 kg
WAC042000306	3 drawers	380 x 460 x 550 mm	18.3 kg

## 19 Keyboard shelf



Keyboard shelf with ball bearing slides for pulling out and stowing the keyboard easily.

A fixing set is included in the scope of delivery.

Colour: black, material: plastic, stable design, storage tray with cover for writing implements.

Code No.	Type	Weight incl. fixing set
WAC042000317	Keyboard shelf	2,2 kg

## 20 PC holder



The PC holder for fastening underneath the table top can be adjusted without the use of tools.

Height adjustment: 307-532 mm

Width adjustment: 78 - 220 mm

A fixing set is included in the scope of delivery.

Colour: black, material: steel

Code No.	Type	Weight incl. fixing set
WAC042000316	PC holder	4,3 kg

## ESD table mat

Two-layer composite coating made from wear-resistant synthetic rubber. Resistant to solder and heat, abrasion, halogen-free, permanently elastic, volume conductive.

Including 2 push-button connections 10 mm.

Typical bleeder resistance

RG=  $10^6$ - $10^7$  ohms



Code No.	Type
WAC042000087	900 x 610 mm
WAC042000088	1220 x 610 mm

## ESD wristband

Adjustable and elastic wristband without metal contact plate, antiallergenic. Push-button connection 3 mm



A highly elastic spiral cable (2.4 m) with the safety resistance value of 2x 1 MOhm is available as an accessory. Wristband connection 3 mm push-button, earthing contact connection 10 mm push-button



Code No.	Type
WAC042000089	Wristband
WAC042000090	Spiral cable 2.4 m

## ESD earthing box

Box as central earthing connection point (EBP - earth bonding point) for personal grounding. Earth conductor 2 m in length. Connection type 4 mm threaded eye hook, per connection 1 Mohm safety resistance.

2x 10 mm push-button, 1x 4 mm safety socket.



Code No.	Type
WAC042000091	Earthing box



## Accessories

### ESD central earthing strip

Central strip for connection of a maximum of 6 earth conductors with screw terminals for cable lugs with 4 mm eyelet.



Code No.	Type
WAC042000092	Central earthing strip

### ESD earth bonding plug

Dummy plug for CEE 7/3 power socket for direct earthing of table and floor coverings or the central earthing strip.

With 2.4 m of spiral cable,  
1 MOhm safety resistance,  
10 mm push-button.



Code No.	Type
WAC042000094	2.0 m standard cable
WAC042000093	2.4 m spiral cable

### ESD earth conductor

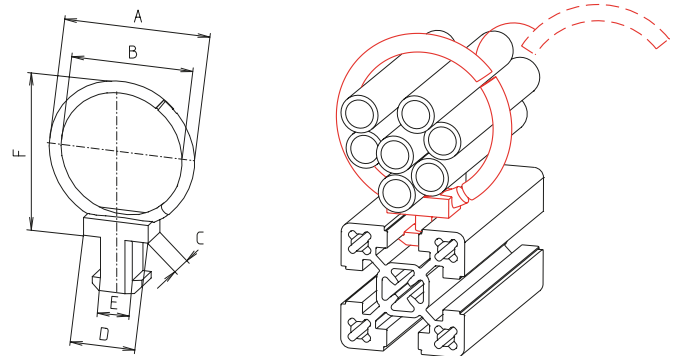
Earth conductor for table/floor covering.  
Standard cable with 1 MOhm safety resistance,  
10 mm push-button,  
4 mm threaded eye hook.



Code No.	Type
WAC042000095	1.5 m cable
WAC042000096	3.0 m cable

## Vario-Quick cable bracket

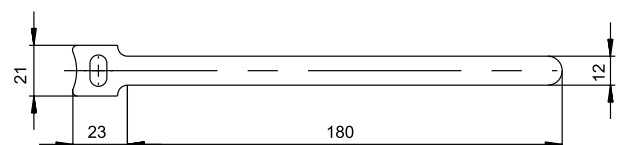
- For routing cables and hoses
  - Simply screwed into the slot
  - Can be opened and reused without any difficulty
- Material:** black plastic



Hammer foot (HF) version

Code No.	Type	lot sizes	Slot geometry	A	B	C	D	E	F
40181401	15 HF	10, 20, 30... pcs	40	28.5	17	10	19	9.5	28.5
40181411	25 HF	10, 20, 30... pcs	40	36.5	25	10	19	9.5	36.5
40181421	35 HF	10, 20, 30... pcs	40	47.5	35	10	19	9.5	47.5

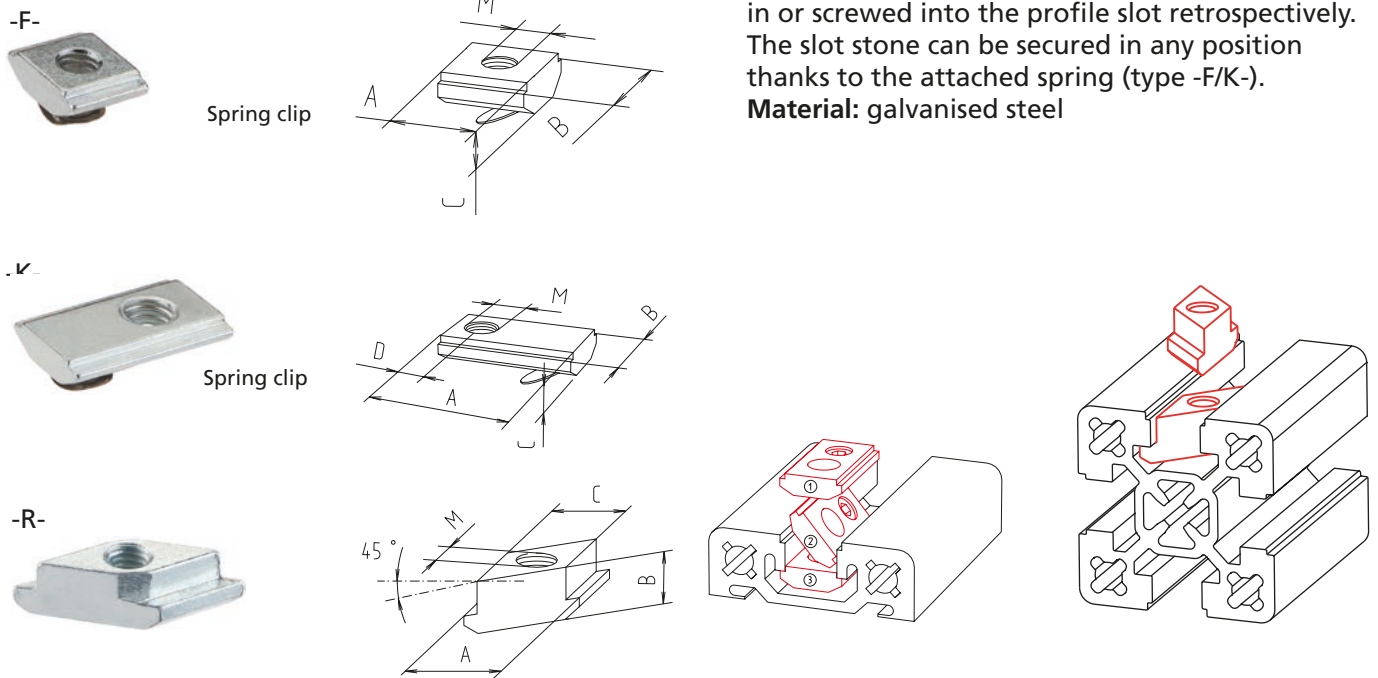
## Hook and eye cable ties



Code No.	lot sizes
91815	5, 10, 15... pcs

## Accessories

### Slot stones



- For additional fastening of attachments to the workstation. The slot stones can also be swivelled in or screwed into the profile slot retrospectively. The slot stone can be secured in any position thanks to the attached spring (type -F/K-).  
**Material:** galvanised steel

Code No.	Type	lot sizes	A	B	C	D	M
4006715	-F- / M4	10, 20, 30... pcs	10	14	4	–	M4
4006713	-F- / M5	10, 20, 30... pcs	10	14	4	–	M5
4016212	-K- / M6	10, 20, 30... pcs	21	14	4	7	M6
4016213	-K- / M8	10, 20, 30... pcs	21	14	4	7	M8
4026221	-R- / M6	10, 20, 30... pcs	15	9	10	–	M6
4026222	-R- / M8	10, 20, 30... pcs	15	9	10	–	M8

### Slot stone -PA-



Version PA -R-

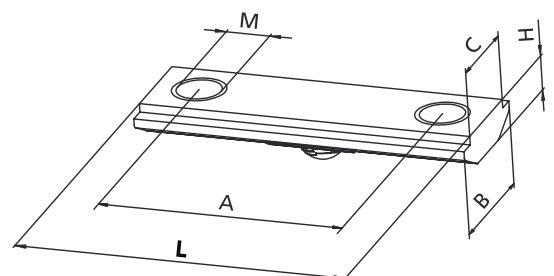


Version PA -F-



Version PA -K-

- The -PA- slot stones have an equipotential bonding effect by destroying the anodised coating. The slot stones can be used in an assembly kit or be connected to each other using bridge pieces.  
**Material:** black galvanised steel



Code No.	Type	lot sizes	Slot geometry	A	B	C	H	L	M
Slot stone PA -R-									
4006E21	M6	10, 20, 30... pcs	30	–	13	10	5	29	M6
Slot stone PA -F-									
4006E12	M6	10, 20, 30... pcs	30	–	12	10	4	10	M6
Slot stone PA -K-									
4006F12	M6	10, 20, 30... pcs	30	–	12	10	4	21	M6

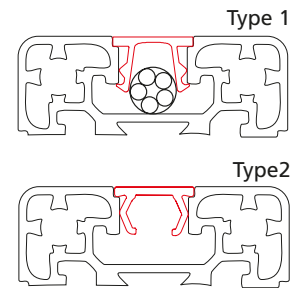
## Cover profile -plastic-



- For the flush covering of longitudinal slots. Two versions are available.

**Material:** plastic

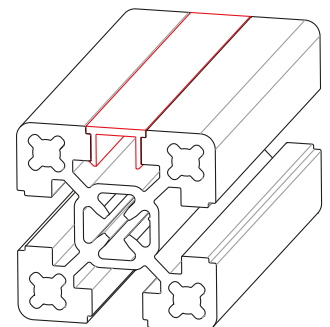
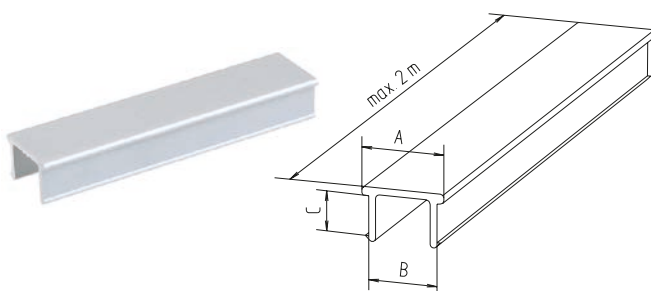
Please note that for typographical reasons, the colours listed here are only an approximate representation of the corresponding RAL colours. Further special colours available on request.



[mm]

	Code No.	Type	Colour	A	B	C		
	Black RAL 9005	4000570	2	2 m bar	Black	12	11.2	6.4
	White aluminium RAL 9006	4000575	2	2 m bar	Light grey	12	11.2	6.4
	Light grey RAL 7035	4000577	2	2 m bar	White aluminium	12	11.2	6.4
	Rape yellow RAL 1021	4000579	2	2 m bar	Rape yellow	12	11.2	6.4
	Traffic red RAL 3020	4000581	2	2 m bar	Traffic red	12	11.2	6.4
	Signal blue RAL 5005	4000583	2	2 m bar	Signal blue	12	11.2	6.4
		4008570	1	2 m bar	Black	12	11.2	6.4
		4000585	1	2 m bar	Rape yellow	12	11.2	6.4
		4000586	1	2 m bar	Transparent	12	11.2	6.4

## Cover profile - aluminium



[mm]

Code No.	Type	Slot geometry	A	B	C
4015570	1	40	12	10	5.2



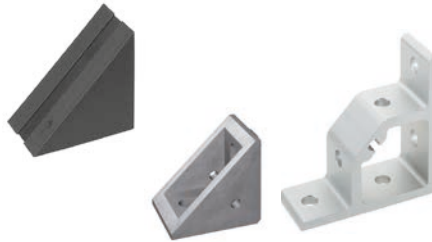
# Accessories

You will find further accessories and aluminium profiles in our main catalogue "BLOCAN® profile technology"

Slot stones



Angle brackets



Bracing plates



Cover profile



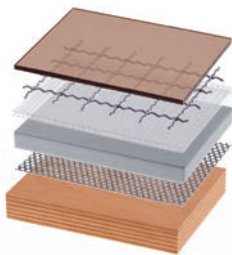
End caps



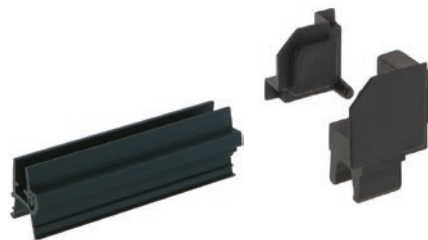
Suspended sliding blocks



Panels



Framing profiles



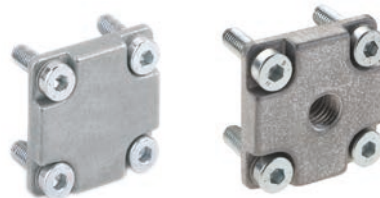
Vario-Quick



Levelling feet



End plate/connecting plate



Base angles



Rollers



Profile hinges



Clamps



Pipe clamps



Hinges



Cable channel system



Enquiry

Order

### Table version static

assembled

unassembled

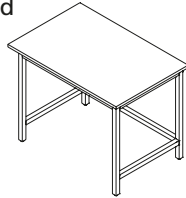
ESD assembled

ESD unassembled

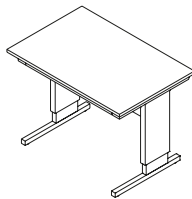
Height: \_\_\_\_\_ mm (min. 750-1250 mm max.)

Width: \_\_\_\_\_ mm (min. 750-2000 mm max.)

Depth: \_\_\_\_\_ mm (min. 650-1200 mm max.)



### Table version electric height-adjustable



Multilift II 350

assembled

unassembled

Multilift II 400

assembled

unassembled

Multilift II ESD 355

assembled

unassembled

Multilift II ESD 400

assembled

unassembled

Multilift II impact 355

assembled

unassembled

Multilift II impact 400

assembled

unassembled

Multilift II telescope

assembled

unassembled

### Attachments

**Standard version:** The attachments are supplied loose with the base table (includes assembly instructions).

**Special version:** You receive your workbench fully assembled with all the desired attachments.

Hand switch with display screen (6 function keys)

Hand switch without display screen (2 function keys)

Hand switch drawer

IEC cable (Europe)

IEC cable (Switzerland)

IEC cable (United Kingdom)

IEC cable (Japan, USA)

### Worktop

MFB particleboard (melamine) 22 mm

HPL particleboard (laminated) 23 mm

Beech Multiplex board 30 mm

Beech Multiplex board 40 mm

ESD table top 20 mm

ESD table top 30 mm

Worktop: width \_\_\_\_\_, depth \_\_\_\_\_

### Frame/Gantry

completely mounted frame/gantry

unmounted components

Height (min. 328-2000 mm max.): \_\_\_\_\_

Width (max. table width): \_\_\_\_\_

Depth (min. 300-1200 mm max.): \_\_\_\_\_

LED lamp

Runner profile (table width -80 mm): \_\_\_\_\_

Balancer, load capacity (min. 0.5-1.5 kg max.)

Balancer, load capacity (min. 1.5-3.0 kg max.)

Balancer, load capacity (min. 3.0-4.0 kg max.)

\_\_\_perforated board(s) (1-2 units, 450 x 1000 mm each)

\_\_\_mounting rail(s) for grab containers (1-3 units)

Material tray level angle adjustment

Material tray level steel swivel

1 pivoting material rail (load capacity max. 10 kg)

3 pivoting material rails (load capacity max. 20 kg)

Document holder

\_\_\_grab container(s) (170 x 100 x 50)  red  blue  green  yellow

\_\_\_grab container(s) (160 x 100 x 75)  red  blue  green  yellow

\_\_\_grab container(s) (230 x 150 x 122)  red  blue  green  yellow

\_\_\_Roller conveyor(s) length: \_\_\_\_\_

\_\_\_Roller(s) with flange, purchase only in lot sizes 10, 20, 30... pcs

\_\_\_Roller(s) without flange, purchase only in lot sizes 10, 20, 30... pcs

\_\_\_End plate(s) 40 x 40 x 5 \_\_\_ End plate(s) 40 x 80 x 5

\_\_\_Slot stone -N-, purchase only in lot sizes 10, 20, 30... pcs

Socket strip, centrally switched

Socket strip, individually switched

Socket strip, non-switchable

### RK monitor mounting

With rotary flange  With ball joint  Compact

Connecting plate Vesa 50/75  Connecting plate Vesa 75/100

Profile console

Wall console

Reducing bush "R"

Reducing bush "V"

Vario-Quick holding block type K

Vario-Quick holding block type KK

Monitor holder aluminium (page 26)

### Tool holder

With inclined hook end

Double, with inclined hook end

Magnetic holder, D=40

Pliers holder, W=55/D=20

Machine holder, D=60

Grab container holder

Tool holder for self-service packaging

Screwdriver holder, 8x

Screwdriver holder

Round tin holder

Hexagon socket key holder, D=1-11

Storage box

Shelf plate, W=350/D=125

Cup and device holder, open

Cup and device holder, closed

### Drawer cabinet

with 1 drawer 230 x 460 x 550 mm

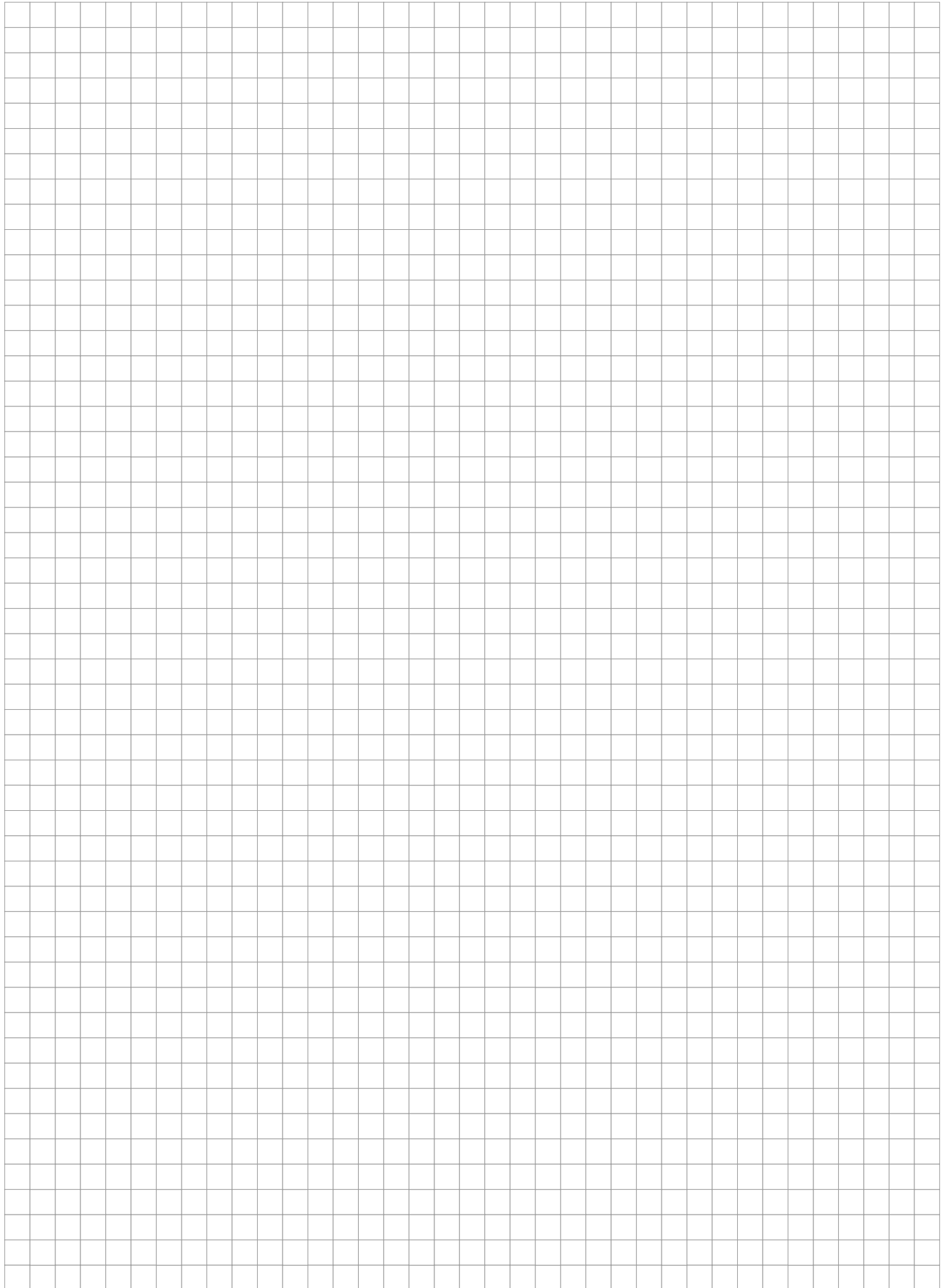
With 2 drawers 380 x 460 x 550 mm

with 3 drawers 380 x 460 x 550 mm

Keyboard shelf

PC holder





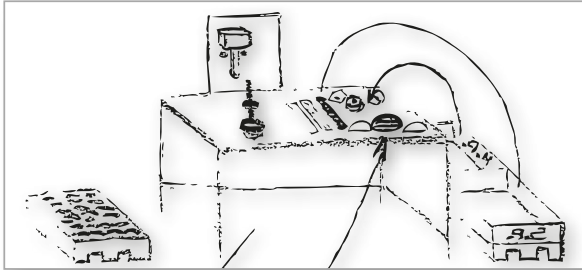




# Our service

## Success through continuous improvement

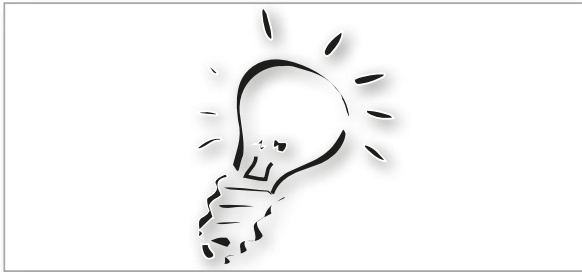
If you want to focus your resources on other tasks and are looking for an expert partner you can rely on, our specialists will work closely with you to develop tailor-made solutions. If you wish, we can also assemble and commission the units on site.



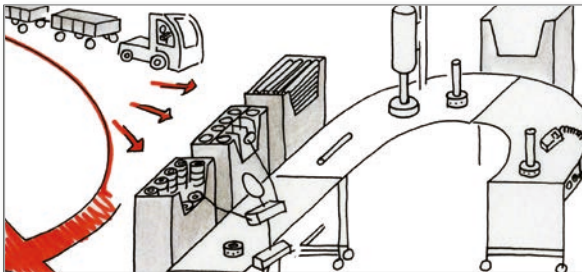
You make a sketch of your requirements.



Our Key Account managers and sales consultants are happy to visit you on site and help you work out your specific requirements.



Our product specialists will develop a solution for you.



We can deliver your turnkey solution or, if you so wish, assemble and commission it for you on site.

Save yourself a long search – with us, you are in good hands.

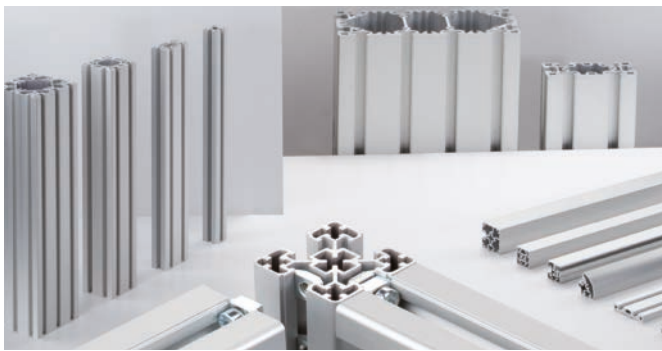


## Our product ranges



### LINEAR TECHNOLOGY

- ✓ Manual adjustment units
- ✓ Electric cylinders
- ✓ Lifting columns
- ✓ Linear axes
- ✓ We can move loads for you of up to 3 t and up to 12 m dynamically, reliably and with great precision



### PROFILE TECHNOLOGY

- ✓ The tried and tested BLOCAN® aluminium assembly system
- ✓ Sections from 20 mm to 320 mm for all applications
- ✓ Connecting technology with an unsurpassed combination of flexibility and reliability



### CONNECTING TECHNOLOGY

- ✓ Fittings for the secure clamp connection of round and square tubes
- ✓ Elements made of aluminium, stainless steel and plastic
- ✓ Sizes from 8 mm to 80 mm



### MODULE TECHNOLOGY

- ✓ Machine frames
- ✓ Workstations
- ✓ Machine guards
- ✓ Multidimensional linear axis modules
- ✓ Complete drive solutions



**RK ROSE+KRIEGER**

A Phoenix Mecano Company

**RK Rose+Krieger GmbH**  
Connecting and positioning systems  
Potsdamer Straße 9  
32423 Minden, Germany  
Telephon +49 571 9335-0  
Telefax +49 571 9335-119  
info@rk-online.de  
www.rk-rose-krieger.com



(Informations)

EN 1.000 Flyeralarm Mat.Nr.: 8100006905 03/2019 Printed in Germany