



**RK ROSE+KRIEGER**

A Phoenix Mecano Company

## Profile Technology

### BLOCAN®

Assembly system without machining



# How to use this catalogue

---

## **If you are new to profile technology**

Please use our selection guide from page 9 onwards.  
We will guide you to the right product for your particular application.

---

## **If you know all about profile technology**

You will know exactly what you require and can go straight to the right product category, where you will find a product overview on the first page.

---

## **Specific search**

If you are looking for a specific product, we suggest you start in our index on the last pages of this catalogue.

**from page 4 Introduction**

About us  
Our products  
Service  
Level of service

**from page 9 Profile Technology selection guide**

High-calibre combinations  
(What is Profile Technology?)  
  
Three steps to your recommended product  
(How do I find the right product?)

**from page 22 Structural profiles**

With slots on all sides  
Stable, versatile structures

**from page 174 Functional profiles**

Visible, frame, special profiles  
Added visual and functional value

**from page 376 Heavy duty profiles**

Heavy loads with maximum stability

**from page 408 Safety guards**

**from page 466 RK Easywork**

Assembly workstation system

**from page 480 Appendix**

Tools                      Application examples  
Fax enquiry              Index

## Introduction

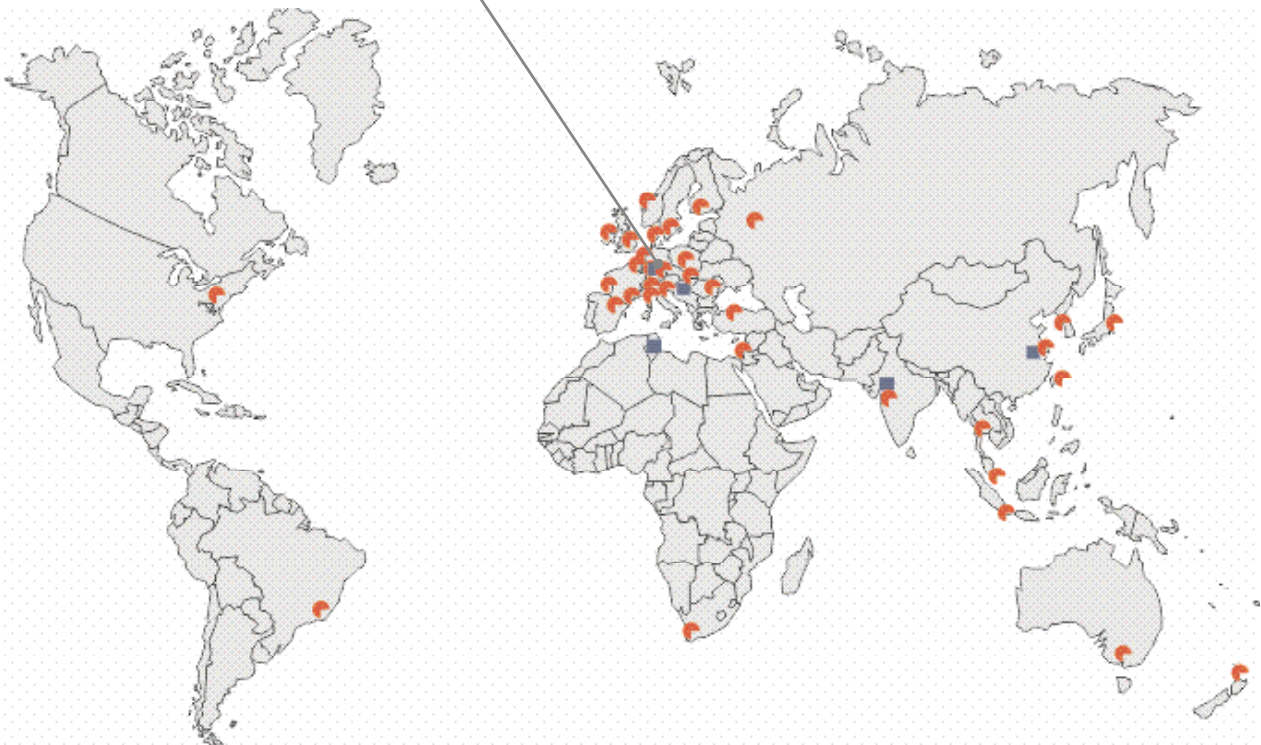
# About us

As a subsidiary of the global Phoenix Mecano AG, we offer an unrivalled range of products in the field of linear, profile, connecting and module technology. With decades of experience and expertise in a huge range of industrial applications, you need look no further for a highly competent partner. From the first point of contact through to delivery, we focus entirely on your requirements. Individual advice and short delivery periods are two central priorities of our customer-focused corporate philosophy. We want our customers to share in our success and look forward to being your strategic partner.



**Head Office:** Germany, Minden / Westph.

- Company sales representatives
- Distributors and system partners



**Available around the globe.**

- Profit Centre within Phoenix Mecano
- Sales and system partners
- = Production facilities
- = Distribution companies



# Our product ranges

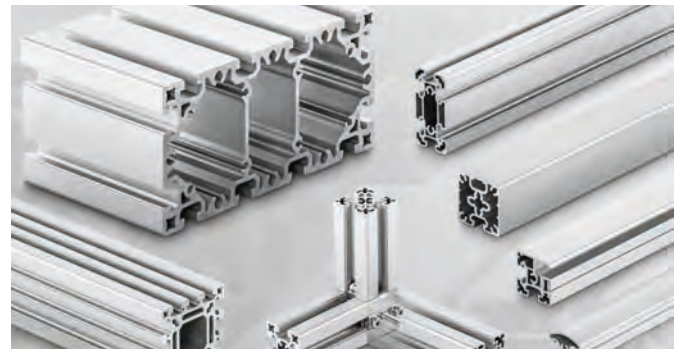
## CONNECTING TECHNOLOGY

- Fittings for the secure clamp connection of round and square tubes
- Elements made of aluminium, stainless steel and plastic
- Sizes from 8 mm to 80 mm



## PROFILE TECHNOLOGY

- The tried and tested BLOCAN® aluminium assembly system, with profiles offering cross-sections from 15 mm to 320 mm, for a broad spectrum of applications
- Connecting technology with an unsurpassed combination of flexibility and reliability



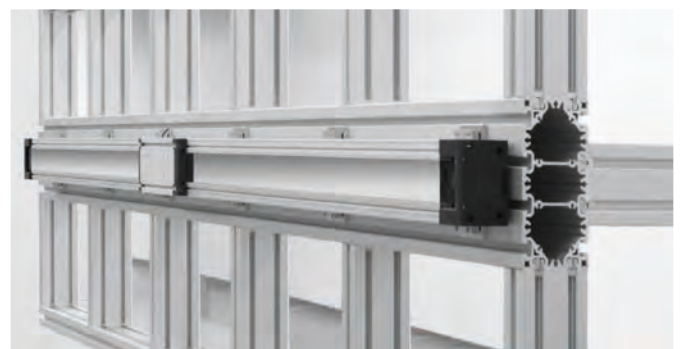
## LINEAR TECHNOLOGY

- Linear axes
- Manual guide units
- Electric cylinders
- Lifting columns
- We can move loads for you of up to 3 t and 12 m dynamically, reliably and with great precision



## MODULE TECHNOLOGY

- We develop, manufacture and assemble
- Machine frames
- Workstations
- Machine guards
- Multidimensional linear axis modules
- Complete drive solutions

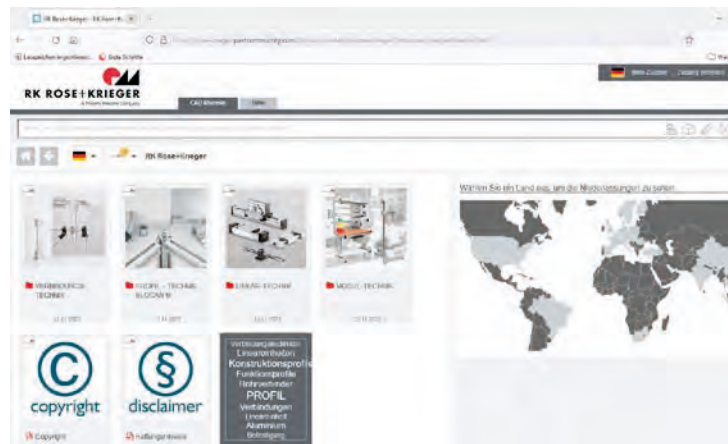


## What we can do for you

# We help you make the right choice:

### CAD component library

To help you design your products, we give you free access to the component data stored in our Rose+Krieger component library (drawings, technical descriptions), where you can choose between around 60 different file formats (2D/3D). The link to our component server can be found on our web site at: [www.rk-rose-krieger.com/deutsch/service/cad-daten.html](http://www.rk-rose-krieger.com/deutsch/service/cad-daten.html)



### In-house RK product consultancy

The RKinfovan – our showroom on your doorstep. With more than 20 presentation boards containing exhibits and functional samples and a range of applications from the world of drive and linear technology, our infovan provides a complete cross-section of the RK products currently available.

Our Key Account managers and sales consultants are happy to visit you on site and help you draw up practical solutions.



### RK website: [www.rk-rose-krieger.com](http://www.rk-rose-krieger.com)

At our website you will find a wealth of information on our company and our products. You will also find the details of company contacts in your area and the latest catalogues (PDF format) available to download.





# Level of service

You decide...

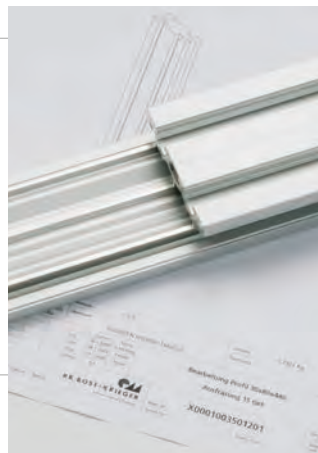
100%



**Modules and systems**  
You require your skills and time for other tasks and are looking for a partner you can rely on.



**Customised developments**  
Are you looking for something completely new? Then we will team up with you to develop it.



**Different models, modified standards**  
Our expertise at your fingertips. Our expert consultants can recommend the optimum products modified to your requirements.



## Catalogue items

If you know what you want and take the time to browse our catalogue, you are sure to find what you're looking for in our standard range.

**...what level of service you require**

0%

## We offer

- A broad range of compatible products
- 40 years of experience in numerous industries
- Expert advice for all your requirements
- Quality – because we deliver what we promise





## Contents

What is Profile Technology.....	p. 10
How to find the right product ...	p. 11
The RK profile circle .....	p. 12
Structural profiles .....	p. 14
Functional profiles .....	p. 16
Heavy duty profiles .....	p. 18
Safety guards .....	p. 20
<hr/>	
RK Easywork assembly workstation system .....	p. 21

## Selection guide

# High-calibre combinations

The true calibre of a profile is characterised not by the profile itself but in the connection of the profiles to one another. Our years of application experience have enabled us to develop an industrial aluminium profile system that leaves almost nothing to be desired. Boundless creativity, maximum flexibility and proven reliability offer a broad spectrum of possible solutions for the task in question. You can utilise all the benefits of our system – in particular the option for connection of profiles without the need for mechanical machining. A system is the sum of all its parts,

and a successful system is based on strong individual parts.

And to help you select the most suitable range of products for your requirements quickly and easily, we have developed a system that is strictly task-oriented. Within the selected range, you can then determine the ideal size and model based on your performance requirements.

And if you need any further help, we are only too happy to assist.

**No need for drill holes...**



**these are held together without!**



# How to find the right product

## The three steps to your product recommendation

### Step 1:



#### Your application takes centre stage

- Stable, versatile structures
- Added visual and functional value
- Heavy loads with maximum stability

### Step 2:



#### Which dimension do you need?

- Stability
- Section modulus
- Mass optimization

### Step 3:

#### Which function do you need?

- Configuration (square, rectangular, rounded, angular)
- Number of slots
- Easy assembling
- Additional functions: visible design or frame profiles

...follow our system and the terms are self explanatory.

## The RK profile circle



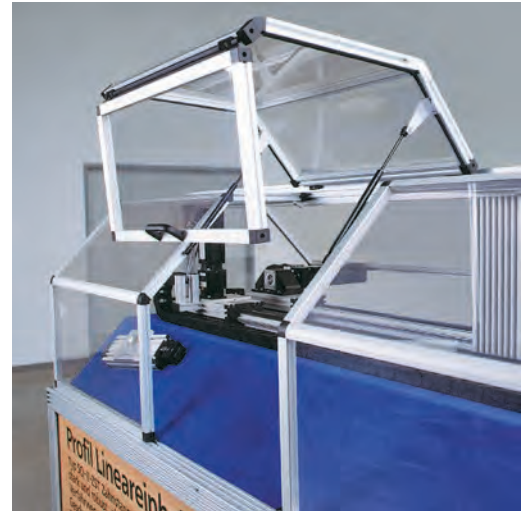
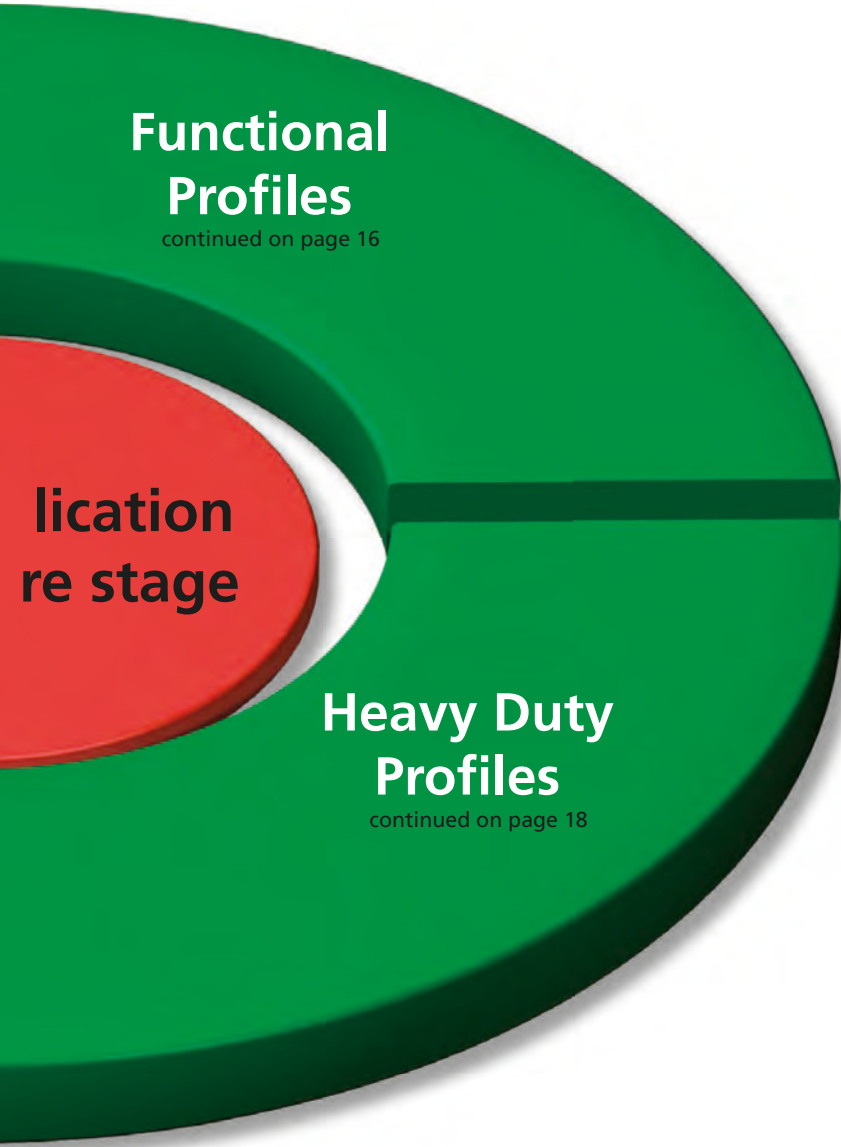
Stable versatile structures

- Fixing slots on all sides
- Unlimited applications
- Minimal design effort
- Cost optimisation

**Structural  
Profiles**

continued on page 14

**Your app  
takes cent**



Additional visual and functional benefit

- Attractive design
- Many additional functions
- Flexible



Heavy duty with highest stability


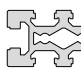
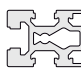






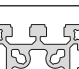
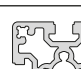
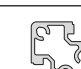
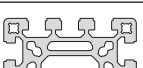

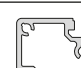
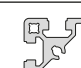
- High dynamic
- Large structures
- Easily transportable

## Structural profiles

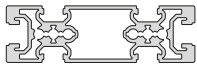
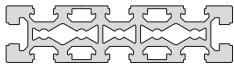
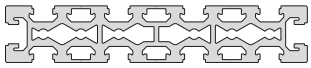
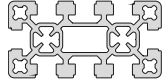
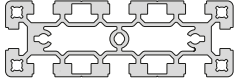
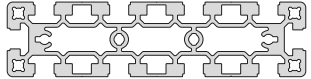
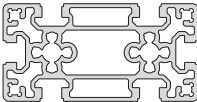
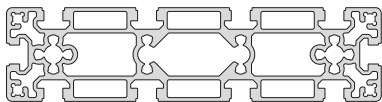
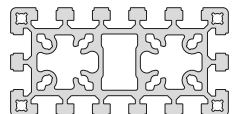
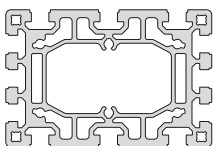
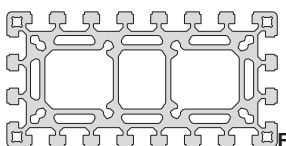
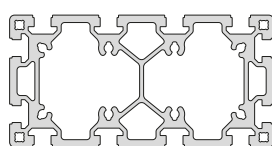
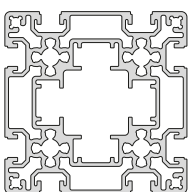
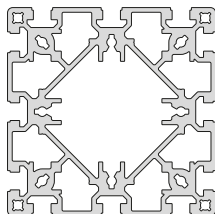
# Stable versatile structures

A variety of profile geometries and sizes allows optimal adaptation to prevailing technical and economic conditions. The Structural profiles set their focus on optimal connection options (slots on all sides) and the associated unlimited application options. The BLOCAN® Profile System, which is made from aluminium, offers consistent flexi-

bility and cost-efficiency. By adapting the relevant profile size to the load to be borne, it is possible to create a technically correct design which is also optimally cost-effective. With such a broad spectrum of profile cross-sections and a comprehensive range of accessories, no task is beyond the realms of possibility.

Structural Profiles				
Size 30	 <b>F-30x30</b> $W_x = 2,2 \text{ cm}^3$ $W_y = 2,2 \text{ cm}^3$	 <b>F-30x60</b> $W_x = 5,3 \text{ cm}^3$ $W_y = 9,9 \text{ cm}^3$	 <b>F-30x80</b> $W_x = 7,0 \text{ cm}^3$ $W_y = 16,9 \text{ cm}^3$	
Size 40	 <b>F-40x40</b> $W_x = 5,5 \text{ cm}^3$ $W_y = 5,5 \text{ cm}^3$	 <b>F-40x40-L</b> $W_x = 3,6 \text{ cm}^3$ $W_y = 3,6 \text{ cm}^3$	 <b>F-40x80</b> $W_x = 11,3 \text{ cm}^3$ $W_y = 22,2 \text{ cm}^3$	 <b>F-40x80-L</b> $W_x = 7,4 \text{ cm}^3$ $W_y = 15,7 \text{ cm}^3$
Size 50	 <b>F-50x50</b> $W_x = 11,6 \text{ cm}^3$ $W_y = 11,6 \text{ cm}^3$	 <b>F-50x50-L</b> $W_x = 9,0 \text{ cm}^3$ $W_y = 9,0 \text{ cm}^3$		
Size 60	 <b>F-60x60</b> $W_x = 17,1 \text{ cm}^3$ $W_y = 17,1 \text{ cm}^3$	 <b>F-60x60/1</b> $W_x = 18,1 \text{ cm}^3$ $W_y = 18,1 \text{ cm}^3$	 <b>F-60x60-L</b> $W_x = 14,1 \text{ cm}^3$ $W_y = 14,2 \text{ cm}^3$	
Size 80	 <b>F-80x80</b> $W_x = 38,8 \text{ cm}^3$ $W_y = 38,8 \text{ cm}^3$	 <b>F-80x80/2</b> $W_x = 38,4 \text{ cm}^3$ $W_y = 38,4 \text{ cm}^3$	 <b>F-80x80-L</b> $W_x = 28,8 \text{ cm}^3$ $W_y = 28,8 \text{ cm}^3$	 <b>F-80x80/2-L</b> $W_x = 36,1 \text{ cm}^3$ $W_y = 36,1 \text{ cm}^3$














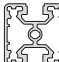




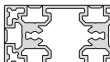








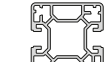


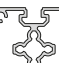




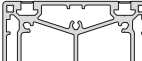
Structural Profiles			
Size 30	 <p><b>F-30x120</b> W<sub>x</sub>= 10,2 cm<sup>3</sup> W<sub>y</sub>= 36,6 cm<sup>3</sup></p>	 <p><b>F-30x120</b> W<sub>x</sub>= 10,2 cm<sup>3</sup> W<sub>y</sub>= 36,6 cm<sup>3</sup></p>	 <p><b>F-30x160</b> W<sub>x</sub>= 13,3 cm<sup>3</sup> W<sub>y</sub>= 64,1 cm<sup>3</sup></p>
Size 40	 <p><b>F-40x80/3</b> W<sub>x</sub>= 10,0 cm<sup>3</sup> W<sub>y</sub>= 19,7 cm<sup>3</sup></p>	 <p><b>F-40x120</b> W<sub>x</sub>= 14,7 cm<sup>3</sup> W<sub>y</sub>= 42,2 cm<sup>3</sup></p>	 <p><b>F-40x160</b> W<sub>x</sub>= 19,9 cm<sup>3</sup> W<sub>y</sub>= 72,4 cm<sup>3</sup></p>
Size 50	 <p><b>F-50x100</b> W<sub>x</sub>= 17,6 cm<sup>3</sup> W<sub>y</sub>= 36,1 cm<sup>3</sup></p>		 <p><b>F-50x200</b> W<sub>x</sub>= 32,1 cm<sup>3</sup> W<sub>y</sub>= 122,4 cm<sup>3</sup></p>
Size 60		 <p><b>F-60x120</b> W<sub>x</sub>= 31,5 cm<sup>3</sup> W<sub>y</sub>= 62,0 cm<sup>3</sup></p>	
Size 80	 <p><b>F-80x120</b> W<sub>x</sub>= 60,6 cm<sup>3</sup> W<sub>y</sub>= 83,5 cm<sup>3</sup></p>	 <p><b>80x160</b> W<sub>x</sub>= 77,4 cm<sup>3</sup> W<sub>y</sub>= 140,9 cm<sup>3</sup></p>	 <p><b>F-80x160-L</b> W<sub>x</sub>= 72,8 cm<sup>3</sup> W<sub>y</sub>= 128,1 cm<sup>3</sup></p>
Size 100/120	 <p><b>F-100x100</b> W<sub>x</sub>= 60,8 cm<sup>3</sup> W<sub>y</sub>= 60,8 cm<sup>3</sup></p>	 <p><b>F-120x120</b> W<sub>x</sub>= 110,8 cm<sup>3</sup> W<sub>y</sub>= 110,8 cm<sup>3</sup></p>	

# Additional visual and functional benefit

Rather than merely offering the Structural profiles (with slots on all sides), a modern aluminium profile system should also be able to offer a range of profiles which is functional and visually attractive. Without losing sight of RK Rose+Krieger's philosophy (connection without machining), we have incorporated a series of functional and special profiles made from aluminium into











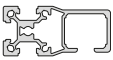










our product portfolio which fulfil this requirement. We have divided the so-called "functional profiles" into three sub-categories. Depending on the profile geometry, the visible, frame and special profiles can be assembled using the appropriate connecting technology, and no further machining of the profiles is required whatsoever. Cut the profiles to














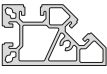
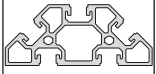
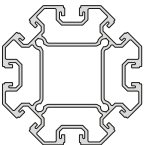
length and assemble, and reduce the effort required for planning and assembly to a minimum in the process!

Visible design profiles										
Size 30	 <b>F-G 30x30</b> W <sub>i</sub> = 2,1 cm <sup>3</sup> W <sub>y</sub> = 2,1 cm <sup>3</sup>	 <b>F-GG 30x30</b> W <sub>i</sub> = 2,1 cm <sup>3</sup> W <sub>y</sub> = 2,1 cm <sup>3</sup>	 <b>F-2G 30x30</b> W <sub>i</sub> = 2,2 cm <sup>3</sup> W <sub>y</sub> = 2,4 cm <sup>3</sup>	 <b>F-3G 30x30</b> W <sub>i</sub> = 2,2 cm <sup>3</sup> W <sub>y</sub> = 2,4 cm <sup>3</sup>	 <b>W 30-30°</b> W <sub>i</sub> = 1,5 cm <sup>3</sup> W <sub>y</sub> = 1,8 cm <sup>3</sup>	 <b>W 30-45°</b> W <sub>i</sub> = 1,4 cm <sup>3</sup> W <sub>y</sub> = 1,7 cm <sup>3</sup>	 <b>W 30-60°</b> W <sub>i</sub> = 1,8 cm <sup>3</sup> W <sub>y</sub> = 1,9 cm <sup>3</sup>	 <b>W 30-90°</b> W <sub>i</sub> = 2,9 cm <sup>3</sup> W <sub>y</sub> = 2,9 cm <sup>3</sup>	 <b>F-R 30</b> W <sub>i</sub> = 1,2 cm <sup>3</sup> W <sub>y</sub> = 1,2 cm <sup>3</sup>	
Size 40	 <b>F-G 40x40</b> W <sub>i</sub> = 4,8 cm <sup>3</sup> W <sub>y</sub> = 4,9 cm <sup>3</sup>	 <b>F-GG 40x40</b> W <sub>i</sub> = 4,8 cm <sup>3</sup> W <sub>y</sub> = 4,8 cm <sup>3</sup>	 <b>F-2G 40x40</b> W <sub>i</sub> = 4,6 cm <sup>3</sup> W <sub>y</sub> = 4,7 cm <sup>3</sup>	 <b>F-3G 40x40</b> W <sub>i</sub> = 4,8 cm <sup>3</sup> W <sub>y</sub> = 4,9 cm <sup>3</sup>	 <b>F-G 40x80</b> W <sub>i</sub> = 10,4 cm <sup>3</sup> W <sub>y</sub> = 20,6 cm <sup>3</sup>	 <b>F-GG 40x80</b> W <sub>i</sub> = 10,7 cm <sup>3</sup> W <sub>y</sub> = 22,0 cm <sup>3</sup>				
	 <b>4G-40x40</b> W <sub>i</sub> = 5,2 cm <sup>3</sup> W <sub>y</sub> = 5,2 cm <sup>3</sup>	 <b>4G-40x80</b> W <sub>i</sub> = 9,3 cm <sup>3</sup> W <sub>y</sub> = 19,6 cm <sup>3</sup>	 <b>W 40-30</b> W <sub>i</sub> = 3,7 cm <sup>3</sup> W <sub>y</sub> = 4,2 cm <sup>3</sup>	 <b>W 40-45</b> W <sub>i</sub> = 3,4 cm <sup>3</sup> W <sub>y</sub> = 4,2 cm <sup>3</sup>	 <b>W 40-60</b> W <sub>i</sub> = 4,2 cm <sup>3</sup> W <sub>y</sub> = 4,6 cm <sup>3</sup>	 <b>W 40-90</b> W <sub>i</sub> = 7,4 cm <sup>3</sup> W <sub>y</sub> = 7,4 cm <sup>3</sup>				
Size 50	 <b>F-G 50x50</b> W <sub>i</sub> = 8,6 cm <sup>3</sup> W <sub>y</sub> = 8,9 cm <sup>3</sup>	 <b>F-GG 50x50</b> W <sub>i</sub> = 8,4 cm <sup>3</sup> W <sub>y</sub> = 8,7 cm <sup>3</sup>	 <b>F-2G 50x50</b> W <sub>i</sub> = 8,3 cm <sup>3</sup> W <sub>y</sub> = 8,7 cm <sup>3</sup>	 <b>F-3G 50x50</b> W <sub>i</sub> = 9,0 cm <sup>3</sup> W <sub>y</sub> = 9,1 cm <sup>3</sup>	 <b>SP-50x50</b> W <sub>i</sub> = 8,2 cm <sup>3</sup> W <sub>y</sub> = 8,3 cm <sup>3</sup>					
Size 60	 <b>F-G 60x60</b> W <sub>i</sub> = 12,6 cm <sup>3</sup> W <sub>y</sub> = 12,7 cm <sup>3</sup>	 <b>F-GG 60x60</b> W <sub>i</sub> = 12,5 cm <sup>3</sup> W <sub>y</sub> = 12,8 cm <sup>3</sup>	 <b>F-2G 60x60</b> W <sub>i</sub> = 12,1 cm <sup>3</sup> W <sub>y</sub> = 13,0 cm <sup>3</sup>	 <b>F-3G 60x60</b> W <sub>i</sub> = 11,9 cm <sup>3</sup> W <sub>y</sub> = 13,7 cm <sup>3</sup>						
Size 80	 <b>F-G 80x80</b> W <sub>i</sub> = 34,8 cm <sup>3</sup> W <sub>y</sub> = 33,0 cm <sup>3</sup>	 <b>F-GG 80x80</b> W <sub>i</sub> = 34,1 cm <sup>3</sup> W <sub>y</sub> = 34,1 cm <sup>3</sup>	 <b>F-2G 80x80</b> W <sub>i</sub> = 33,3 cm <sup>3</sup> W <sub>y</sub> = 35,0 cm <sup>3</sup>	 <b>F-3G 80x120A</b> W <sub>i</sub> = 52,8 cm <sup>3</sup> W <sub>y</sub> = 77,9 cm <sup>3</sup>						





Frame profiles									
Size 30	 <b>KL-30x30-3</b> W <sub>i</sub> = 1,5 cm <sup>3</sup> W <sub>j</sub> = 1,8 cm <sup>3</sup>	 <b>KLD 30x40</b> W <sub>i</sub> = 2,7 cm <sup>3</sup> W <sub>j</sub> = 2,5 cm <sup>3</sup>	 <b>KLE-30x30</b> W <sub>i</sub> = 2,0 cm <sup>3</sup> W <sub>j</sub> = 2,0 cm <sup>3</sup>	 <b>KLW 30x15</b> W <sub>i</sub> = 1,4 cm <sup>3</sup> W <sub>j</sub> = 1,9 cm <sup>3</sup>	 <b>KLW 30x30</b> W <sub>i</sub> = 3,1 cm <sup>3</sup> W <sub>j</sub> = 4,4 cm <sup>3</sup>	 <b>KLW 30x45</b> W <sub>i</sub> = 1,2 cm <sup>3</sup> W <sub>j</sub> = 1,8 cm <sup>3</sup>	 <b>KLW 30x60</b> W <sub>i</sub> = 1,7 cm <sup>3</sup> W <sub>j</sub> = 1,5 cm <sup>3</sup>	 <b>KLW 30x90</b> W <sub>i</sub> = 2,7 cm <sup>3</sup> W <sub>j</sub> = 4,1 cm <sup>3</sup>	
	 <b>ESP 30</b> W <sub>i</sub> = 1,4 cm <sup>3</sup> W <sub>j</sub> = 1,8 cm <sup>3</sup>	 <b>ESP 30/2</b> W <sub>i</sub> = 1,5 cm <sup>3</sup> W <sub>j</sub> = 1,8 cm <sup>3</sup>					 <b>STP 30</b> W <sub>i</sub> = 6,1 cm <sup>3</sup> W <sub>j</sub> = 3,7 cm <sup>3</sup>		
Size 40	 <b>KL-40x40-3</b> W <sub>i</sub> = 3,5 cm <sup>3</sup> W <sub>j</sub> = 4,1 cm <sup>3</sup>	 <b>KLD-40x40</b> W <sub>i</sub> = 4,1 cm <sup>3</sup> W <sub>j</sub> = 5,5 cm <sup>3</sup>	 <b>KLE-40x40</b> W <sub>i</sub> = 4,6 cm <sup>3</sup> W <sub>j</sub> = 4,6 cm <sup>3</sup>	 <b>KLW 40x15</b> W <sub>i</sub> = 1,1 cm <sup>3</sup> W <sub>j</sub> = 1,7 cm <sup>3</sup>	 <b>KLW 40x45</b> W <sub>i</sub> = 2,4 cm <sup>3</sup> W <sub>j</sub> = 2,4 cm <sup>3</sup>	 <b>KLW 40x60</b> W <sub>i</sub> = 3,8 cm <sup>3</sup> W <sub>j</sub> = 3,3 cm <sup>3</sup>	 <b>KLW 40x90</b> W <sub>i</sub> = 5,8 cm <sup>3</sup> W <sub>j</sub> = 5,8 cm <sup>3</sup>		
	 <b>ESP 40</b> W <sub>i</sub> = 2,7 cm <sup>3</sup> W <sub>j</sub> = 3,5 cm <sup>3</sup>	 <b>ESP 40/2</b> W <sub>i</sub> = 3,0 cm <sup>3</sup> W <sub>j</sub> = 3,6 cm <sup>3</sup>					 <b>STP 40</b> W <sub>i</sub> = 9,7 cm <sup>3</sup> W <sub>j</sub> = 6,1 cm <sup>3</sup>		

Special Profiles								
Size 15	 <b>15x40</b> W <sub>i</sub> = 1,3 cm <sup>3</sup> W <sub>j</sub> = 3,3 cm <sup>3</sup>	 <b>15x60</b> W <sub>i</sub> = 1,9 cm <sup>3</sup> W <sub>j</sub> = 7,0 cm <sup>3</sup>	 <b>15x80</b> W <sub>i</sub> = 2,5 cm <sup>3</sup> W <sub>j</sub> = 11,9 cm <sup>3</sup>	 <b>15x120</b> W <sub>i</sub> = 3,6 cm <sup>3</sup> W <sub>j</sub> = 25,8 cm <sup>3</sup>	 <b>15x160</b> W <sub>i</sub> = 4,8 cm <sup>3</sup> W <sub>j</sub> = 44,9 cm <sup>3</sup>			
Size 20	 <b>F-20x20</b> W <sub>i</sub> = 0,8 cm <sup>3</sup> W <sub>j</sub> = 0,8 cm <sup>3</sup>	 <b>F-20x40</b> W <sub>i</sub> = 1,3 cm <sup>3</sup> W <sub>j</sub> = 2,7 cm <sup>3</sup>	 <b>F-R 20</b> W <sub>i</sub> = 0,6 cm <sup>3</sup> W <sub>j</sub> = 0,5 cm <sup>3</sup>	 <b>F-G 20x20</b> W <sub>i</sub> = 0,8 cm <sup>3</sup> W <sub>j</sub> = 0,7 cm <sup>3</sup>	 <b>F-GG 20x20</b> W <sub>i</sub> = 0,7 cm <sup>3</sup> W <sub>j</sub> = 0,7 cm <sup>3</sup>	 <b>KL 20x20</b> W <sub>i</sub> = 0,8 cm <sup>3</sup> W <sub>j</sub> = 0,8 cm <sup>3</sup>	 <b>KLD 20x20</b> W <sub>i</sub> = 0,7 cm <sup>3</sup> W <sub>j</sub> = 0,8 cm <sup>3</sup>	 <b>KLE 20x20</b> W <sub>i</sub> = 0,6 cm <sup>3</sup> W <sub>j</sub> = 0,7 cm <sup>3</sup>
Size 40	 <b>2x40</b> W <sub>i</sub> = 7,9 cm <sup>3</sup> W <sub>j</sub> = 11,3 cm <sup>3</sup>	 <b>3x40</b> W <sub>i</sub> = 8,8 cm <sup>3</sup> W <sub>j</sub> = 14,1 cm <sup>3</sup>	 <b>8x40</b> W <sub>i</sub> = 27,6 cm <sup>3</sup> W <sub>j</sub> = 27,6 cm <sup>3</sup>					

**Heavy duty profiles**

# Heavy duty with highest stability

If machine structures are required to be extremely stable, they are made from steel ...!


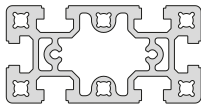
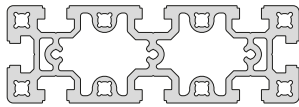
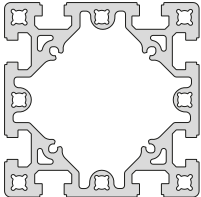
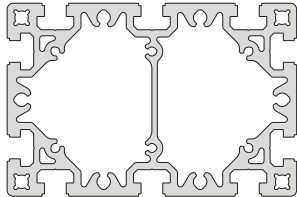
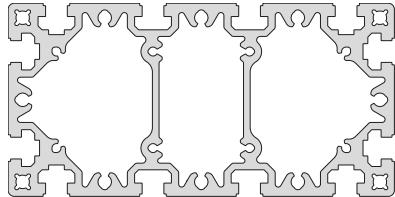
This piece of construction wisdom is now well out of date.

The BLOCAN® aluminium heavy duty profiles with a slot width of 18 mm combine with the press mount connector (patent pending) to offer many advantages in the classic field of mechanical engineering. The effective connecting technology without the need for machining, in addition to the high stability and low weight of the profiles increase the adaptability of the structure and reduce the total costs.

The demands of design engineers for flexible and light systems can no longer be fulfilled using steel as a material. Use of aluminium outside of its established stronghold in the automotive industry is increasing. The mechanical engineering industry also benefits from the innovative aluminium profile technology. In the past, the limitations of aluminium were always demonstrated when the stability of the overall structure had to fulfil particularly high requirements. With the new BLOCAN® heavy duty profiles, this is no longer a problem. The 320x160 profile is almost on a par with an IPE 360 double T-girder, even though it

has smaller dimensions and weighs 35% less.

The aluminium profiles in the dimensions 80x80, 80x160, 80x240, 160x160, 160x240 and 160x320 mm offer a very high bending and torsional stiffness despite their low net weight. Therefore, even large portal systems and machine frames, which until now were the preserve of steel structures, can be realised in a lightweight design made from aluminium profiles.

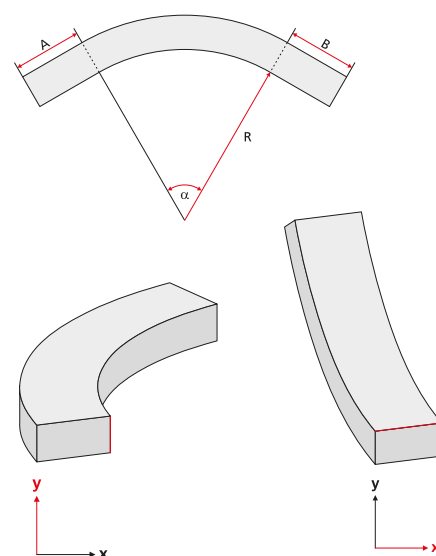
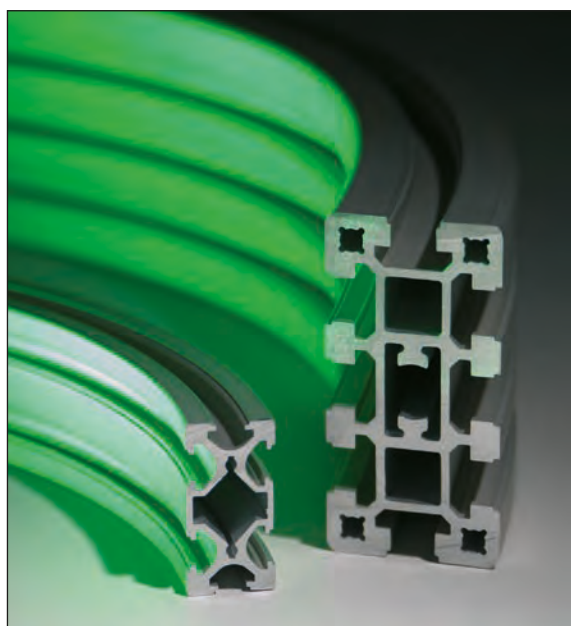
Heavy duty profiles			
Size 80			
	<b>D-80x80</b> W <sub>x</sub> = 49,6 cm <sup>3</sup> W <sub>y</sub> = 49,8 cm <sup>3</sup>	<b>D-80x160</b> W <sub>x</sub> = 91,6 cm <sup>3</sup> W <sub>y</sub> = 174,6 cm <sup>3</sup>	<b>D-80x240</b> W <sub>x</sub> = 135,2 cm <sup>3</sup> W <sub>y</sub> = 355,7 cm <sup>3</sup>
			
Size 160	<b>D-160x160</b> W <sub>x</sub> = 311,7 cm <sup>3</sup> W <sub>y</sub> = 311,7 cm <sup>3</sup>	<b>D-160x240</b> W <sub>x</sub> = 450,2 cm <sup>3</sup> W <sub>y</sub> = 611,1 cm <sup>3</sup>	<b>D-160x320</b> W <sub>x</sub> = 582,0 cm <sup>3</sup> W <sub>y</sub> = 976,1 cm <sup>3</sup>

## Bent BLOCAN® profiles

Bent aluminium extruded profiles allow for smaller and lighter structures. Not only that, they are being used more and more in mechanical engineering for functional and visual reasons. However, these applications call for high-precision radii and radius distributions while avoiding cross-sectional deformation.

Thanks to the CNC-controlled bending process, the profile geometry remains intact, thus allowing slot stones to be used. However, for face-to-face fixing, a straight section of 20 mm must be allowed for the fixing screws. Anodised profiles are used as standard. However, small cracks may appear in the ano-

dised layer of the curved sections. For this reason, we recommend anodising after bending if the aesthetic requirements are high and the radii are extremely small.



Profile	Bending axis	$R_{min}$
F-20x20	X   Y	250
F-20x40	X	250
F-20x40	Y	250
F-R 20x20	X   Y	250
F-G 20x20	X   Y	250
KL 20x20	X   Y	250
30x30	X   Y	250
ESP 30x30	X   Y	250
F-R 30x30	X   Y	250
KL 30x30	X   Y	250
40x40	X   Y	250
40x80	X	500
40x80	Y	500
ESP 40x40	X   Y	250
KL 40x40	X   Y	250
F-80x80-L	X   Y	500

Parameters required to make an enquiry/place an order:

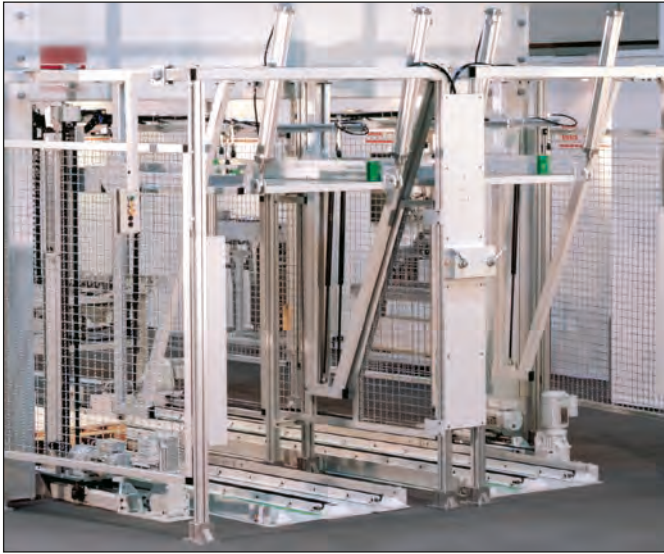
- Profile types
- Bending axis
- Dimension A
- Dimension B
- Radius R
- Angle

Further profiles available on request

**Safety guards**

# Safety with visual appeal

Due to the ever increasing automation of manufacturing processes and equipment, the protection of people from sources of danger is growing in importance. The BLOCAN® safety guard has a grid design and therefore reduces the effort required from the user in planning, construction and assembly to a minimum. The RK protection system complies with the new Machinery Directive 2006/42/EC. Using special Click & Safe connection elements, the safety guard elements are fixed quickly and securely to pillars made from BLOCAN® aluminium profiles which fulfil the legal requirements for safety devices.



## Overview of elements





Pillars	Screen A	Screen B	Screen C	Click & Safe
				<p>...the quick and easy safety guard</p>
Hinged door	Double-wing hinged door	Sliding door	Lifting door	



# RK Easywork workstation system

For configurable workstation systems developed to meet ergonomic and task-specific requirements.

With the RK Easywork selection tool, a complete assembly work table can be configured online to meet ergonomic and task-specific requirements. Step by step, the selection tool guides you through all of the options on the way to creating your ideal workstation. Additional lighting, holders for grab containers, foot rests, standing chairs and ESD accessories are all available, along with other useful devices. The RK Easywork workstation system is based on RK Rose+Krieger's complete modular system. BLOCAN® Structural profiles made from aluminium and the electrically driven lifting columns offer a perfect combination for the creation of high-quality table concepts. Customers can choose between the simplest static tables or electrically height-adjustable work tables and configure their own combinations.

Step 1:	Step 2:	Step 3:	Step 4:
Calculate the dimensions	Select workstation online	We prepare a detailed quotation	We deliver a fully equipped workstation
			

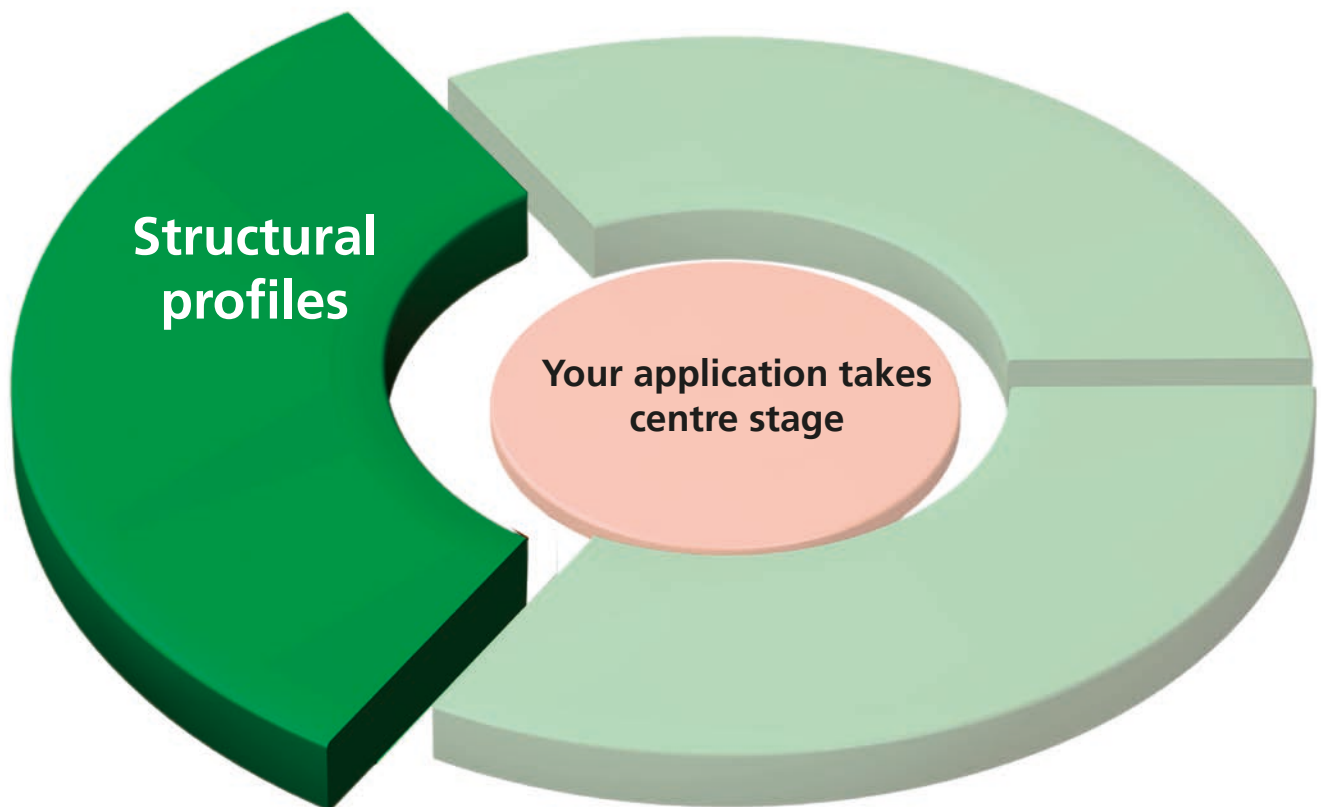
The basic types		
	Static	Electrically height adjustable



Online selection guide

## Structural profiles

# Stable versatile structures



### Features:

- Fixing slots on all sides
- Unlimited application options
- Minimal effort required in construction
- Cost optimisation



**Stable, versatile structures**

---

Profile overview ..... p. 24

Profiles ..... p. 28

Connection techniques ..... p. 47

Slot stones / screws and accessories ..... p. 85

Profile covers ..... p. 97

Panels and accessories ..... p. 105

Feet / castors and accessories ... p. 124

Fittings ..... p. 140

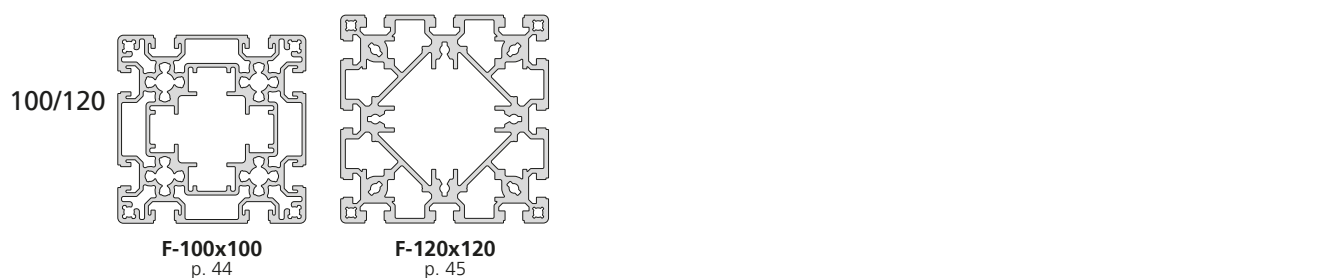
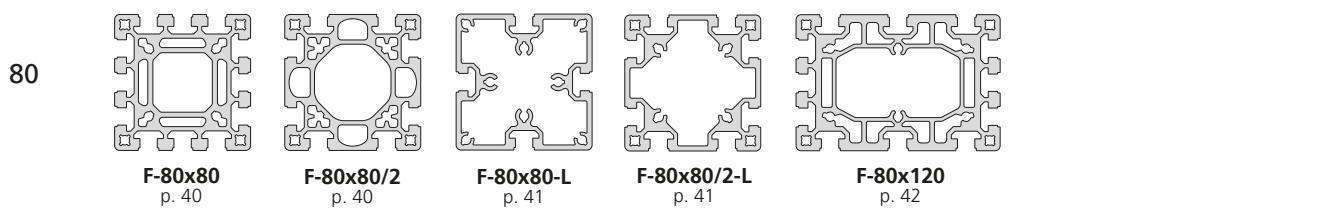
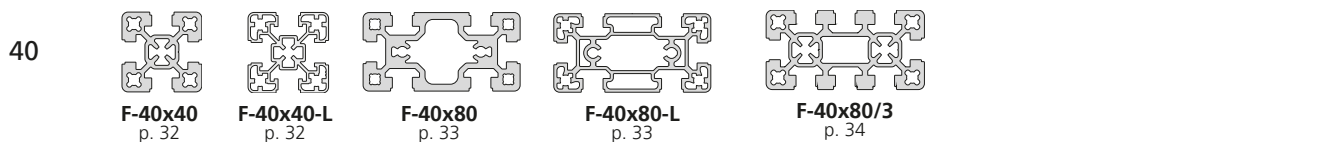
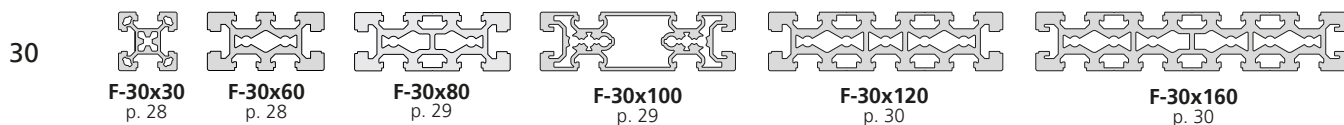
Conveying elements ..... p. 160

Pneumatics ..... p. 165

Cable channel system ..... p. 166

# Structural profile overview

## Sizes





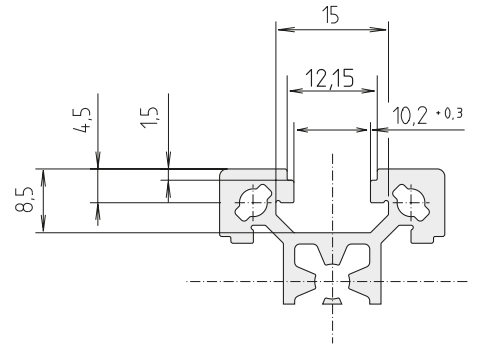
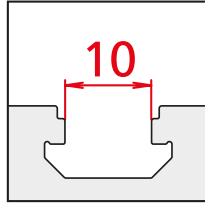
<b>Profiles</b>	Overview ..... p. 24
	Slot geometry ..... p. 26
	Load data ..... p. 27
	Size 30–120 ..... p. 28
<b>Connection techniques</b>	Right-angle connections..... p. 54
	Cross connections..... p. 66
	Angle connections..... p. 70
	Face-to-face and parallel connections ..... p. 78
<b>Accessories</b>	Slot stones, screws ..... p. 84
	Profile covers ..... p. 96
	Panels..... p. 104
	Feet, castors..... p. 124
	Fittings..... p. 140
	Conveying elements ..... p. 160
	Pneumatics ..... p. 164
	Cable channel system ..... p. 166
<b>Applications</b>	Frames and structures..... p.172

## Structural profiles

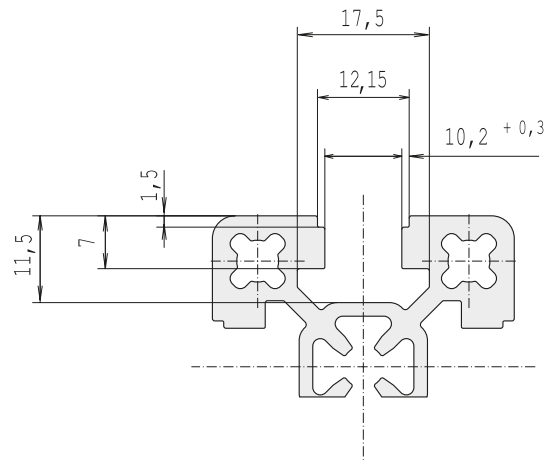
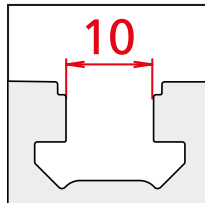
# Technical data Structural profiles

## Slot geometry

- 30 slot geometry
- For all profiles up to size 30
- Exception: F-30x60, F-30x80, F-30x100, F-30x120, F-30x160
- with 40 slot geometry on the long side



- 40 slot geometry
- Geometry for all profiles as of size 40





## Load data

Moment of inertia:  $I$  [cm<sup>4</sup>]

Moment of resistance:  $w$  [cm<sup>3</sup>]

Profiles	Area	$I_x$ [cm <sup>4</sup> ]	$I_y$ [cm <sup>4</sup> ]	$I_t$ [cm <sup>4</sup> ]	$W_x$ [cm <sup>3</sup> ]	$W_y$ [cm <sup>3</sup> ]	Weight	Page
F-30x30	363	3,3	3,3	0,5	2,2	2,2	979	28
F-30x60	874	7,9	29,6	2,5	5,3	9,9	2350	28
F-30x80	1151	10,6	67,4	7,0	7,0	16,9	3100	29
F-30x100	1023	9,8	101,0	7,9	6,5	20,0	2762	29
F-30x120	1174	15,3	219,6	14,0	10,2	36,6	4780	30
F-30x160	2309	20,0	513,0	21,5	13,3	64,1	6230	30
F-40x40	705	11,2	11,2	1,7	5,58	5,58	1903	32
F-40x40-L	475	7,1	7,1	1,0	3,6	3,6	1281	32
F-40x80	1332	22,7	88,9	13,2	11,3	22,2	3397	33
F-40x80-L	933	14,9	62,8	8,4	7,4	15,7	2518	33
F-40x80/3	1274	20,0	79,0	5,4	10,0	19,8	3440	34
F-40x120	1738	29,8	253,8	20,7	14,7	42,2	4694	34
F-40x160	2350	39,8	579,6	30,8	19,9	72,4	6344	35
F-50x50	1227	29,1	29,1	9,0	11,6	11,6	3314	36
F-50x50-L	866	22,5	22,5	6,1	9,0	9,0	2339	36
F-50x100	1743	43,9	180,8	32,9	17,6	36,1	4707	37
F-50x200	3024	80,3	1223,6	98,9	32,1	122,4	8165	37
F-60x60	1504	51,2	51,2	14,9	17,1	17,1	4065	38
F-60x60/1	1542	54,6	54,6	23,9	18,1	18,1	4161	38
F-60x60-L	1095	42,2	42,2	18,0	14,1	14,1	2960	39
F-60x120	2777	94,7	372,3	57,9	62,0	31,5	7500	39
F-80x80	2480	155,3	155,3	64,5	38,8	38,8	6696	40
F-80x80/2	2218	153,8	153,8	82,4	38,4	38,4	5990	40
F-80x80-L	1498	115,1	115,1	72,7	28,8	28,8	4045	41
F-80x80/2-L	1862	144,5	144,5	65,5	36,1	36,1	5027	41
F-80x120	3267	242,5	500,7	177,5	60,6	83,5	8822	42
F-80x160	4723	314,6	1126,9	254,5	77,4	140,9	12753	43
F-80x160-L	3714	291,3	1024,6	250,4	72,8	128,1	10028	43
F-100x100	2890	304,1	304,1	156,9	60,8	60,8	7804	44
F-120x120	4259	665,1	665,1	349,3	110,8	110,8	11500	45

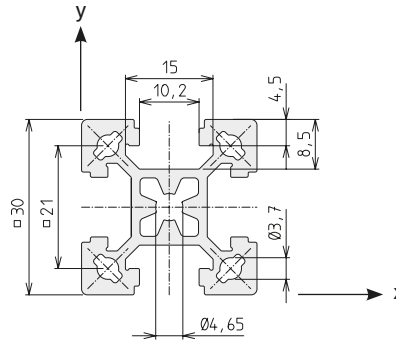
## Structural profiles

# Profiles / size 30

### Order instruction: flange bracket

- Purchase only in lot sizes and a multiple of that see product table below

### F-30x30



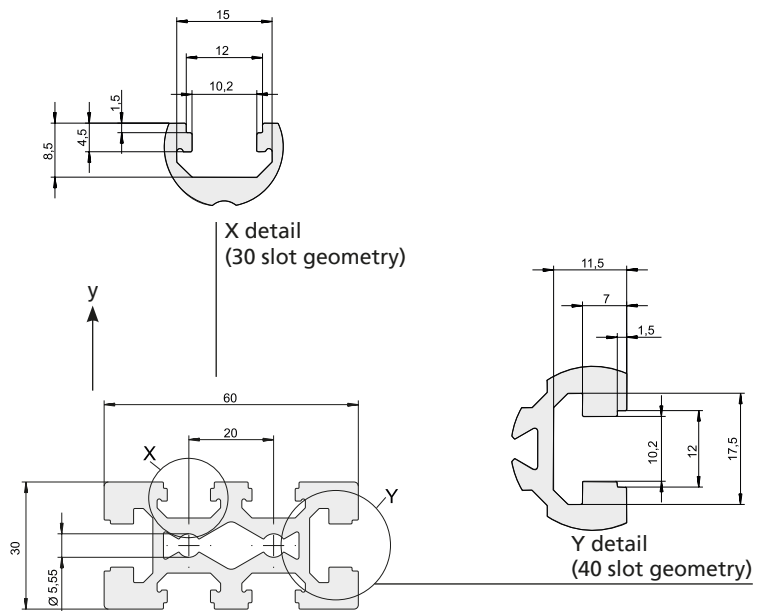
Area	363	mm <sup>2</sup>
$I_x$	3.3	cm <sup>4</sup>
$I_y$	3.3	cm <sup>4</sup>
$I_t$	0.5	cm <sup>4</sup>
$W_x$	2.2	cm <sup>3</sup>
$W_y$	2.2	cm <sup>3</sup>
Weight	979	g/m

Code No. F-30x30 profile			Anodised
4575000	Cut to size	max. 6000 mm	Clear
4575001	Bar	6000 mm	Clear

Connection	Connection to slot geometry	lot sizes	Code No.
+ long.	30	10, 20, 30... pcs	4306709
+ transverse	40	10, 20, 30... pcs	4306710

For description of slot geometry, please see page 26

### F-30x60

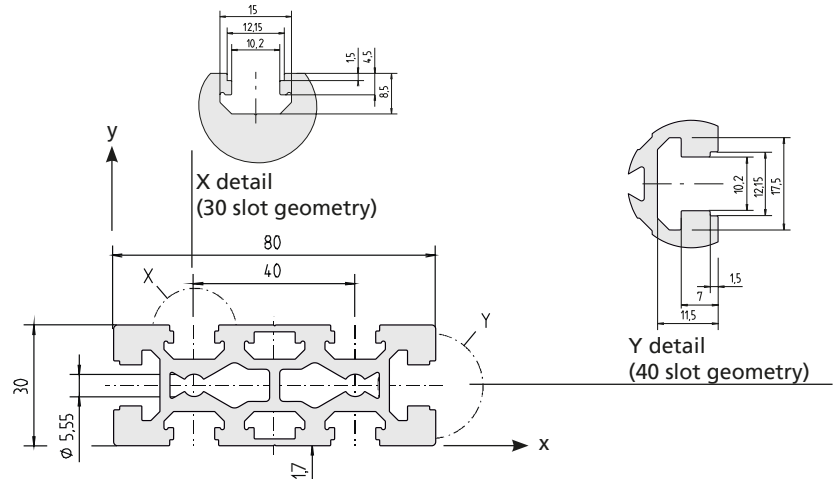


Code No. F-30x60 profile			Anodised
4305000	Cut to size	max. 6000 mm	Clear
4305001	Bar	6000 mm	Clear

Area	874	mm <sup>2</sup>
$I_x$	7.9	cm <sup>4</sup>
$I_y$	29.6	cm <sup>4</sup>
$I_t$	2.5	cm <sup>4</sup>
$W_x$	5.3	cm <sup>3</sup>
$W_y$	9.9	cm <sup>3</sup>
Weight	2350	g/m

Connection	Connection to slot geometry	lot sizes	Code No.
+ long.	30	10, 20, 30... pcs	4226706
	40	10, 20, 30... pcs	4226702
+ transverse	30	10, 20, 30... pcs	4176704
	40	10, 20, 30... pcs	4176705

For description of slot geometry, please see page 26

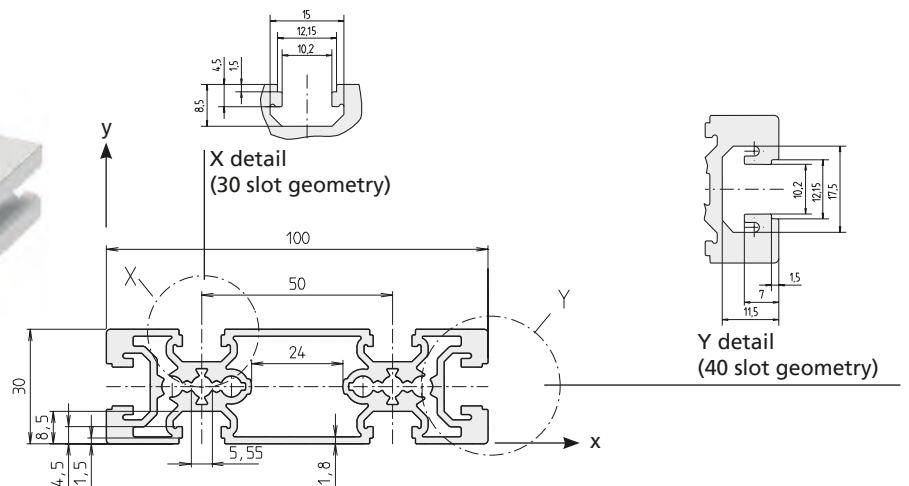
**F-30x80**


Code No. F-30x80 profile			Anodised
4315000	Cut to size	max. 6000 mm	Clear
4315001	Bar	6000 mm	Clear

Connection	Connection to slot geometry	lot sizes	Code No.
	30	10, 20, 30... pcs	4316706
	40	10, 20, 30... pcs	4246702
	30	10, 20, 30... pcs	4176704
	40	10, 20, 30... pcs	4176705

Area	1151	mm <sup>2</sup>
$I_x$	10.6	cm <sup>4</sup>
$I_y$	67.4	cm <sup>4</sup>
$I_t$	7.0	cm <sup>4</sup>
$W_x$	7.0	cm <sup>3</sup>
$W_y$	16.9	cm <sup>3</sup>
Weight	3100	g/m

For description of slot geometry, please see page 26

**F-30x100**


Code No. F-30x100 profile			Anodised
4295000	Cut to size	max. 6000 mm	Clear
4295001	Bar	6000 mm	Clear

Connection	Connection to slot geometry	lot sizes	Code No.
	30	10, 20, 30... pcs	4086706
	40	10, 20, 30... pcs	4086702
	30	10, 20, 30... pcs	4176704
	40	10, 20, 30... pcs	4176705

Area	1023	mm <sup>2</sup>
$I_x$	9.8	cm <sup>4</sup>
$I_y$	101.0	cm <sup>4</sup>
$I_t$	7.9	cm <sup>4</sup>
$W_x$	6.5	cm <sup>3</sup>
$W_y$	20.0	cm <sup>3</sup>
Weight	2762	g/m

For description of slot geometry, please see page 26

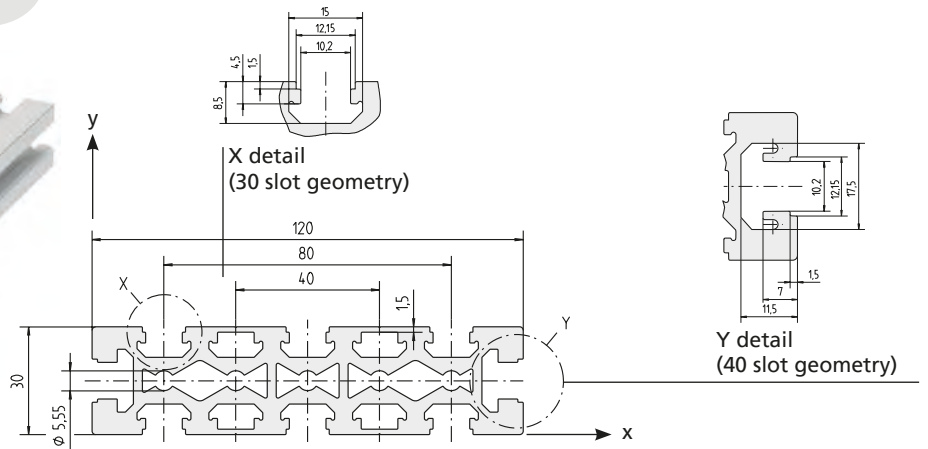
## Structural profiles

# Profiles / size 30

### Order instruction: flange bracket

- Purchase only in lot sizes and a multiple of that see product table below

### F-30x120



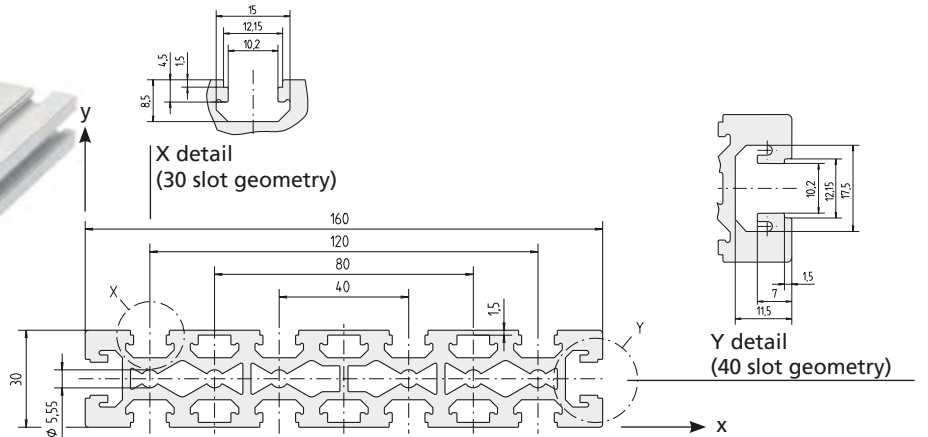
Code No. F-30x120 profile			Anodised
4325000	Cut to size	max. 6000 mm	Clear
4325001	Bar	6000 mm	Clear

Area	1174	mm <sup>2</sup>
$I_x$	15.3	cm <sup>4</sup>
$I_y$	219.6	cm <sup>4</sup>
$I_t$	14.0	cm <sup>4</sup>
$W_x$	10.0	cm <sup>3</sup>
$W_y$	36.6	cm <sup>3</sup>
Weight	4780	g/m

Connection	Connection to slot geometry	lot sizes	Code No.
long.	30	–	4326706
	40	–	4326702
transverse	30	10, 20, 30... pcs	4176704
	40	10, 20, 30... pcs	4176705

For description of slot geometry, please see page 26

### F-30x160



Code No. F-30x160 profile			Anodised
4335000	Cut to size	max. 6000 mm	Clear
4335001	Bar	6000 mm	Clear

Area	2309	mm <sup>2</sup>
$I_x$	20.0	cm <sup>4</sup>
$I_y$	513.0	cm <sup>4</sup>
$I_t$	21.3	cm <sup>4</sup>
$W_x$	13.3	cm <sup>3</sup>
$W_y$	64.1	cm <sup>3</sup>
Weight	6230	g/m

Connection	Connection to slot geometry	lot sizes	Code No.
long.	30	–	4336706
	40	–	4336702
transverse	30	10, 20, 30... pcs	4176704
	40	10, 20, 30... pcs	4176705

For description of slot geometry, please see page 26



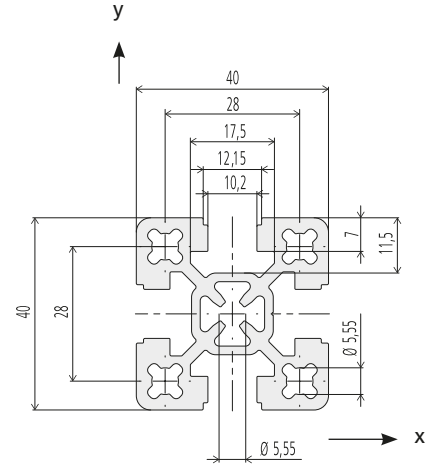
## Structural profiles

# Profiles / size 40

### Order instruction: flange bracket

- Purchase only in lot sizes and a multiple of that see product table below

### F-40x40



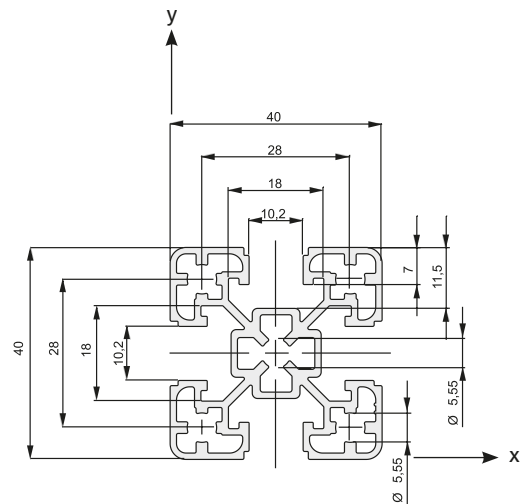
Area	705	mm <sup>2</sup>
$I_x$	11.2	cm <sup>4</sup>
$I_y$	11.2	cm <sup>4</sup>
$I_t$	1.7	cm <sup>4</sup>
$W_x$	5.58	cm <sup>3</sup>
$W_y$	5.58	cm <sup>3</sup>
Weight	1903	g/m

Code No. F-40x40 profile			Anodised
4D35000	Cut to size	max. 6000 mm	Clear
4D35001	Bar	6000 mm	Clear

Connection	Connection to slot geometry	lot sizes	Code No.
long.	30	10, 20, 30... pcs	4816703
+ transverse	40	10, 20, 30... pcs	4816702

For description of slot geometry, please see page 26

### F-40x40-L



Area	475	mm <sup>2</sup>
$I_x$	7.1	cm <sup>4</sup>
$I_y$	7.1	cm <sup>4</sup>
$I_t$	1.0	cm <sup>4</sup>
$W_x$	3.6	cm <sup>3</sup>
$W_y$	3.6	cm <sup>3</sup>
Weight	1281	g/m

Code No. F-40x40-L profile			Anodised
4815000	Cut to size	max. 6000 mm	Clear
4815001	Bar	6000 mm	Clear
4815010	Cut to size	max. 6000 mm	Black
4815011	Bar	6000 mm	Black

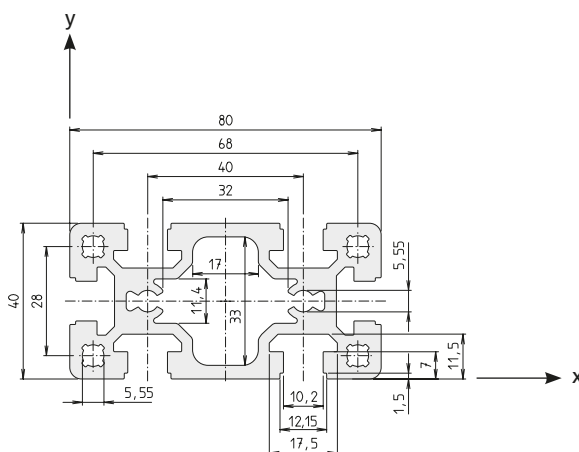
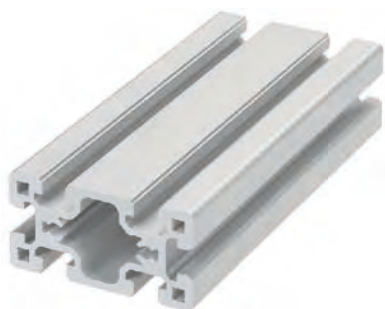
Connection	Connection to slot geometry	lot sizes	Code No.
long.	30	10, 20, 30... pcs	4816703
+ transverse	40	10, 20, 30... pcs	4816702

For description of slot geometry, please see page 26





### F-40x80



Code No. F-40x80 profile			Anodised
4395000	Cut to size	max. 6000 mm	Clear
4395001	Bar	6000 mm	Clear

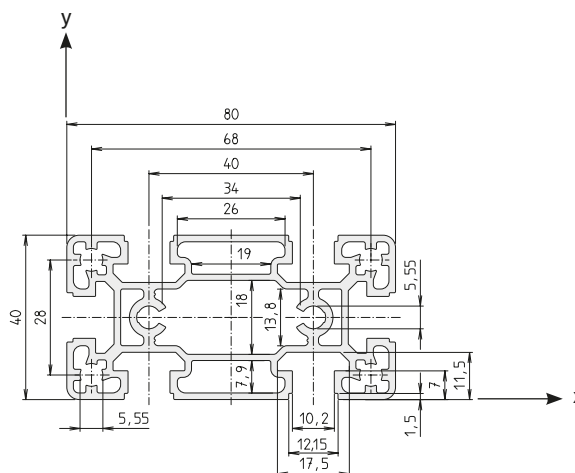
  

Connection	Connection to slot geometry	lot sizes	Code No.
long.	30	10, 20, 30... pcs	4316706
	40	10, 20, 30... pcs	4246702
transverse	30	10, 20, 30... pcs	4816703
	40	10, 20, 30... pcs	4816702

Area	1332	mm <sup>2</sup>
$I_x$	22.7	cm <sup>4</sup>
$I_y$	88.9	cm <sup>4</sup>
$I_t$	13.2	cm <sup>4</sup>
$W_x$	11.3	cm <sup>3</sup>
$W_y$	22.3	cm <sup>3</sup>
Weight	3397	g/m

For description of slot geometry, please see page 26

### F-40x80-L



Code No. F-40x80-L profile			Anodised
4285000	Cut to size	max. 6000 mm	Clear
4285001	Bar	6000 mm	Clear

Connection	Connection to slot geometry	lot sizes	Code No.
long.	30	10, 20, 30... pcs	4316706
	40	10, 20, 30... pcs	4246702
transverse	30	10, 20, 30... pcs	4816703
	40	10, 20, 30... pcs	4816702

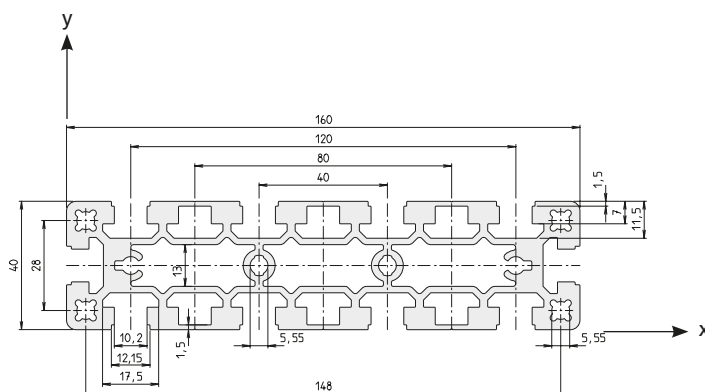
Area	933	mm <sup>2</sup>
$I_x$	14.9	cm <sup>4</sup>
$I_y$	62.8	cm <sup>4</sup>
$I_t$	8.4	cm <sup>4</sup>
$W_x$	7.4	cm <sup>3</sup>
$W_y$	15.7	cm <sup>3</sup>
Weight	2518	g/m

For description of slot geometry, please see page 26



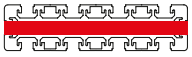



# F-40x160



Code No. F-40x160 profile			Anodised
4655000	Cut to size	max. 6000 mm	Clear
4655001	Bar	6000 mm	Clear

Area	2350	mm <sup>2</sup>
I <sub>x</sub>	39.8	cm <sup>4</sup>
I <sub>y</sub>	579.6	cm <sup>4</sup>
I <sub>t</sub>	30.8	cm <sup>4</sup>
W <sub>x</sub>	19.9	cm <sup>3</sup>
W <sub>y</sub>	72.4	cm <sup>3</sup>
Weight	6344	g/m

Connection	Connection to slot geometry	lot sizes	Code No.
 long.	30	–	4336706
	40	–	4336702
 transverse	30	10, 20, 30... pcs	4816703
	40	10, 20, 30... pcs	4816702

For description of slot geometry, please see page 26

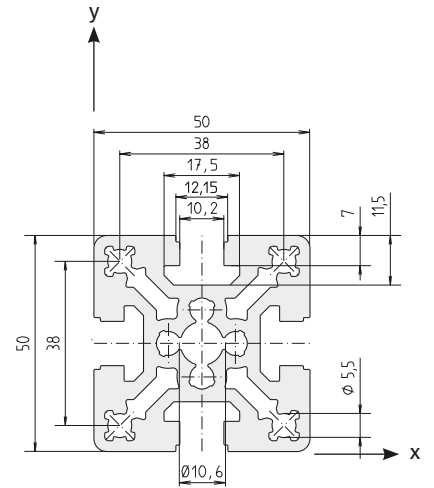
**Structural profiles**

**Profiles / size 50**

**Order instruction: flange bracket**



- Purchase only in lot sizes and a multiple of that see product table below

**F-50x50**



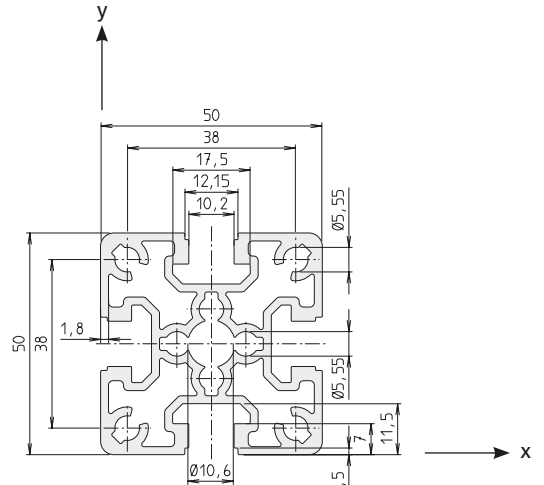
Code No. F-50x50 profile			Anodised
4085000	Cut to size	max. 6000 mm	Clear
4085001	Bar	6000 mm	Clear

Area	1227	mm <sup>2</sup>
I <sub>x</sub>	29.1	cm <sup>4</sup>
I <sub>y</sub>	29.1	cm <sup>4</sup>
I <sub>t</sub>	9.0	cm <sup>4</sup>
W <sub>x</sub>	11.6	cm <sup>3</sup>
W <sub>y</sub>	11.6	cm <sup>3</sup>
Weight	3314	g/m

Connection	Connection to slot geometry	lot sizes	Code No.
  long. + transverse	30	10, 20, 30... pcs	4086706
	40	10, 20, 30... pcs	4086702



For description of slot geometry, please see page 26

**F-50x50-L**



Code No. F-50x50-L profile			Anodised
4275000	Cut to size	max. 6000 mm	Clear
4275001	Bar	6000 mm	Clear

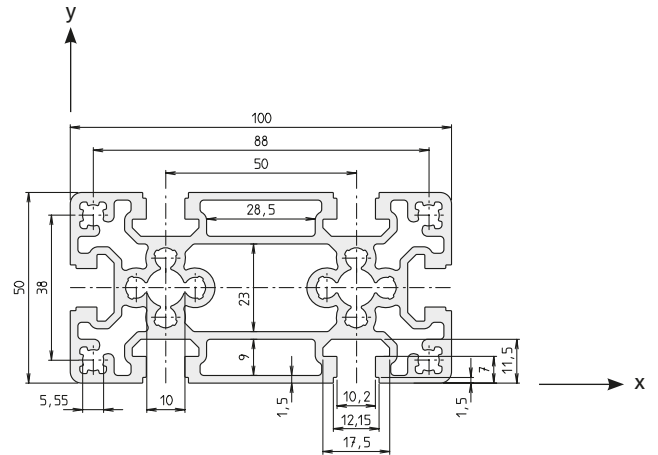
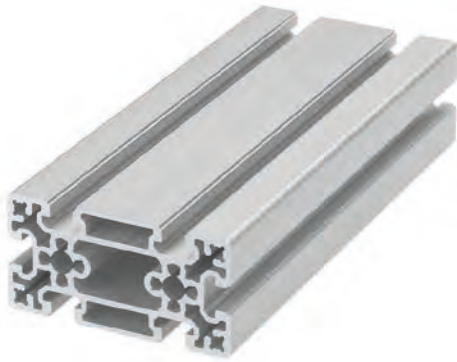
Area	866	mm <sup>2</sup>
I <sub>x</sub>	22.5	cm <sup>4</sup>
I <sub>y</sub>	22.5	cm <sup>4</sup>
I <sub>t</sub>	6.1	cm <sup>4</sup>
W <sub>x</sub>	9.0	cm <sup>3</sup>
W <sub>y</sub>	9.0	cm <sup>3</sup>
Weight	2339	g/m

Connection	Connection to slot geometry	lot sizes	Code No.
  long. + transverse	30	10, 20, 30... pcs	4086706
	40	10, 20, 30... pcs	4086702

For description of slot geometry, please see page 26



### F-50x100



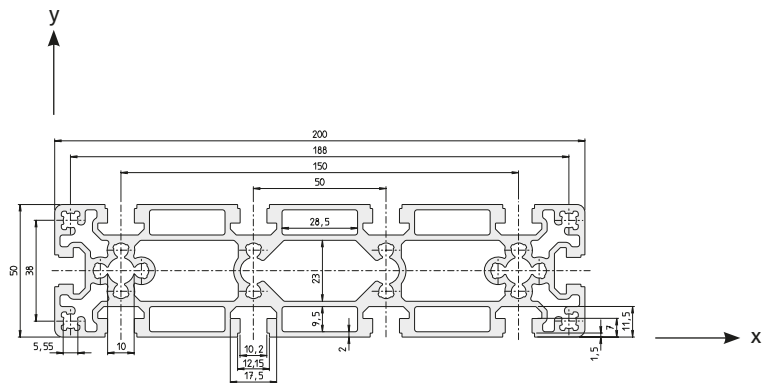
Code No. Profile F-50x100			Anodised
4665000	Cut to size	max. 6000 mm	Clear
4665001	Bar	6000 mm	Clear

Area	1743	mm <sup>2</sup>
$I_x$	43.9	cm <sup>4</sup>
$I_y$	180.8	cm <sup>4</sup>
$I_t$	32.9	cm <sup>4</sup>
$W_x$	17.6	cm <sup>3</sup>
$W_y$	36.1	cm <sup>3</sup>
Weight	4707	g/m

Connection	Connection to slot geometry	lot sizes	Code No.
  long. + transverse	30	10, 20, 30... pcs	4086706
	40	10, 20, 30... pcs	4086702

For description of slot geometry, please see page 26

### F-50x200



Code No. F-50x200 profile			Anodised
4675000	Cut to size	max. 6000 mm	Clear
4675001	Bar	6000 mm	Clear

Area	3024	mm <sup>2</sup>
$I_x$	80.3	cm <sup>4</sup>
$I_y$	1223.6	cm <sup>4</sup>
$I_t$	98.9	cm <sup>4</sup>
$W_x$	32.1	cm <sup>3</sup>
$W_y$	122.4	cm <sup>3</sup>
Weight	8165	g/m

Connection	Connection to slot geometry	lot sizes	Code No.
 long.	30	10, 20, 30... pcs	4086706
	40	10, 20, 30... pcs	4086702
 transverse	30	10, 20, 30... pcs	4086706
	40	10, 20, 30... pcs	4086702

For description of slot geometry, please see page 26

**Structural profiles**

**Profiles / size 60**

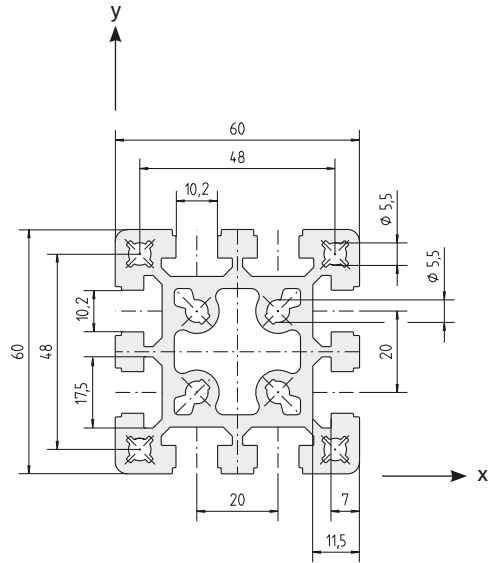
**Order instruction: flange bracket**

- Purchase only in lot sizes and a multiple of that see product table below

**F-60x60**



Area	1504	mm <sup>2</sup>
$I_x$	51.2	cm <sup>4</sup>
$I_y$	51.2	cm <sup>4</sup>
$I_t$	14.9	cm <sup>4</sup>
$W_x$	17.1	cm <sup>3</sup>
$W_y$	17.1	cm <sup>3</sup>
Weight	4065	g/m



Code No. F-60x60 profile			Anodised
4125000	Cut to size	max. 6000 mm	Clear
4125001	Bar	6000 mm	Clear

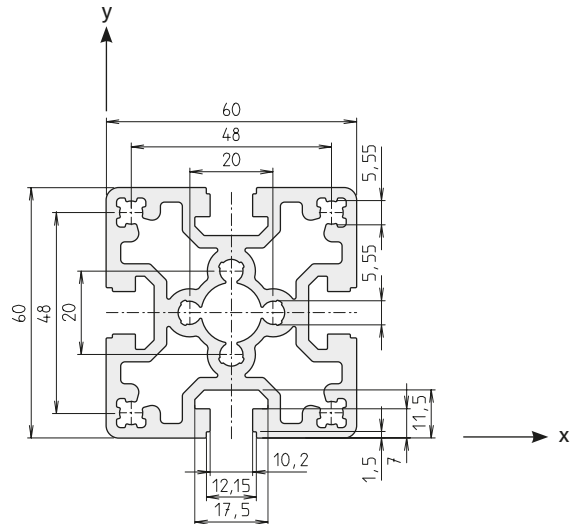
Connection	Connection to slot geometry	lot sizes	Code No.
long. + transverse	30	10, 20, 30... pcs	4226706
	40	10, 20, 30... pcs	4226702

For description of slot geometry, please see page 26

**F-60x60/1**



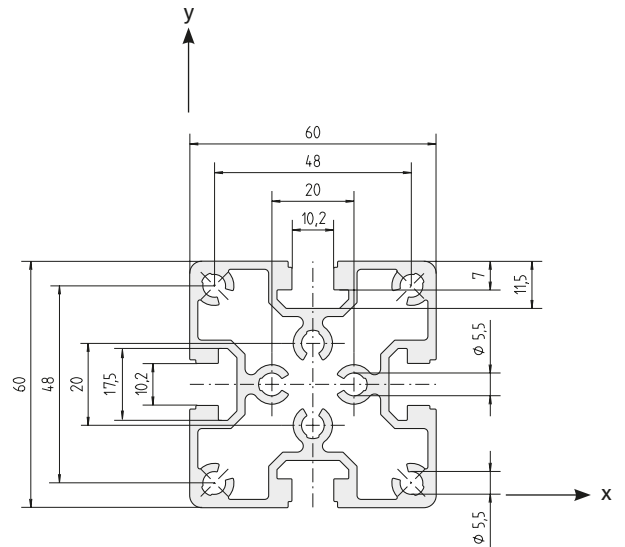
Area	1542	mm <sup>2</sup>
$I_x$	54.6	cm <sup>4</sup>
$I_y$	54.6	cm <sup>4</sup>
$I_t$	23.9	cm <sup>4</sup>
$W_x$	18.1	cm <sup>3</sup>
$W_y$	18.1	cm <sup>3</sup>
Weight	4161	g/m



Code No. F-60x60/1 profile			Anodised
4135000	Cut to size	max. 6000 mm	Clear
4135001	Bar	6000 mm	Clear

Connection	Connection to slot geometry	lot sizes	Code No.
long. + transverse	30	10, 20, 30... pcs	4226706
	40	10, 20, 30... pcs	4226702

For description of slot geometry, please see page 26

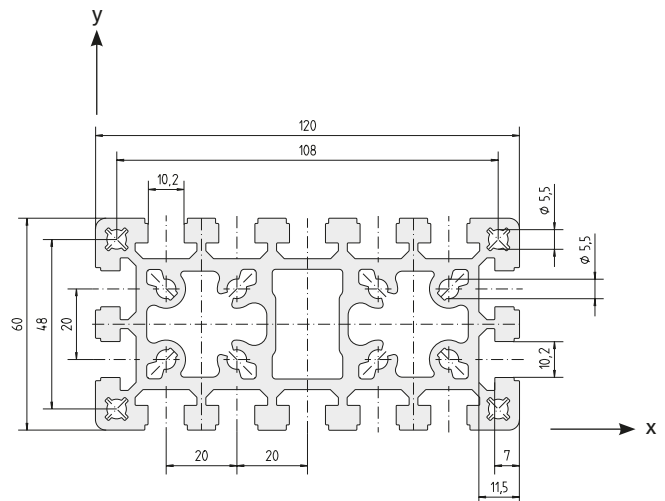
**F-60x60-L**


Area	1095	mm <sup>2</sup>
$I_x$	42.2	cm <sup>4</sup>
$I_y$	42.2	cm <sup>4</sup>
$I_t$	18.0	cm <sup>4</sup>
$W_x$	14.1	cm <sup>3</sup>
$W_y$	14.1	cm <sup>3</sup>
Weight	2960	g/m

Code No. F-60x60-L profile			Anodised
4225000	Cut to size	max. 6000 mm	Clear
4225001	Bar	6000 mm	Clear

Connection	Connection to slot geometry	lot sizes	Code No.
long. + transverse	30	10, 20, 30... pcs	4226706
	40	10, 20, 30... pcs	4226702

For description of slot geometry, please see page 26

**F-60x120**


Area	2777	mm <sup>2</sup>
$I_x$	94.7	cm <sup>4</sup>
$I_y$	372.3	cm <sup>4</sup>
$I_t$	57.5	cm <sup>4</sup>
$W_x$	31.5	cm <sup>3</sup>
$W_y$	62.0	cm <sup>3</sup>
Weight	7500	g/m

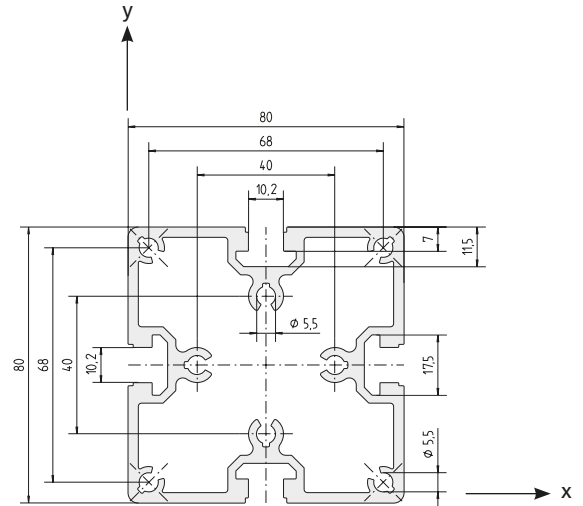
Code No. Profile F-60x120			Anodised
4065000	Cut to size	max. 6000 mm	Clear
4065001	Bar	6000 mm	Clear

Connection	Connection to slot geometry	lot sizes	Code No.
long.	30	–	4326706
	40	–	4326702
transverse	30	10, 20, 30... pcs	4226706
	40	10, 20, 30... pcs	4226702

For description of slot geometry, please see page 26





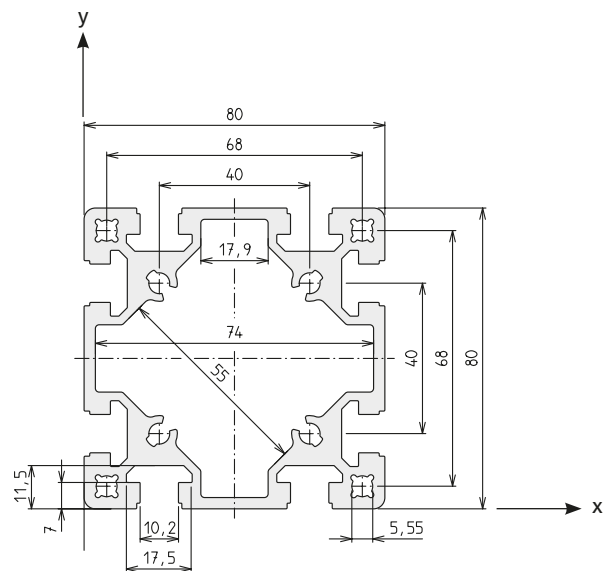
**F-80x80-L**


Area	1498	mm <sup>2</sup>
$I_x$	115.1	cm <sup>4</sup>
$I_y$	115.1	cm <sup>4</sup>
$I_t$	72.7	cm <sup>4</sup>
$W_x$	28.8	cm <sup>3</sup>
$W_y$	28.8	cm <sup>3</sup>
Weight	4045	g/m

Code No. F-80x80-L profile			Anodised
4245000	Cut to size	max. 6000 mm	Clear
4245001	Bar	6000 mm	Clear

Connection	Connection to slot geometry	lot sizes	Code No.
long. + transverse	30	10, 20, 30... pcs	4316706
	40	10, 20, 30... pcs	4246702

For description of slot geometry, please see page 26

**F-80x80/2-L**


Area	1862	mm <sup>2</sup>
$I_x$	144.5	cm <sup>4</sup>
$I_y$	144.5	cm <sup>4</sup>
$I_t$	65.5	cm <sup>4</sup>
$W_x$	36.1	cm <sup>3</sup>
$W_y$	36.1	cm <sup>3</sup>
Weight	5027	g/m

Code No. F-80x80/2-L profile			Anodised
4885000	Cut to size	max. 6000 mm	Clear
4885001	Bar	6000 mm	Clear

Connection	Connection to slot geometry	lot sizes	Code No.
long. + transverse	30	10, 20, 30... pcs	4316706
	40	10, 20, 30... pcs	4246702

For description of slot geometry, please see page 26

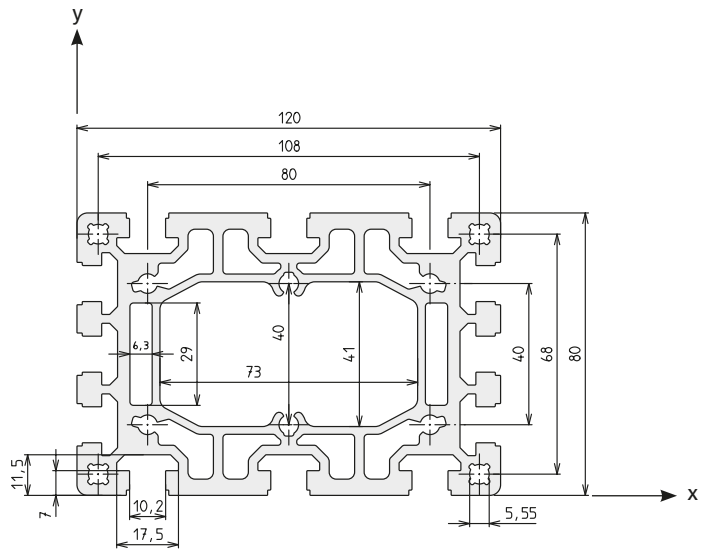
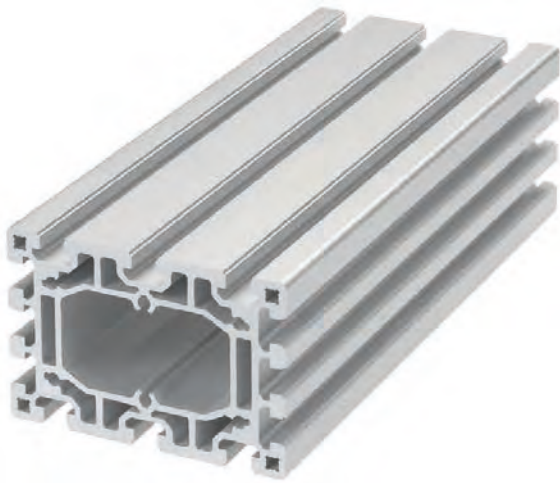
**Structural profiles**

**Profiles / size 80**



**Order instruction: flange bracket**

- Purchase only in lot sizes and a multiple of that see product table below

**F-80x120**



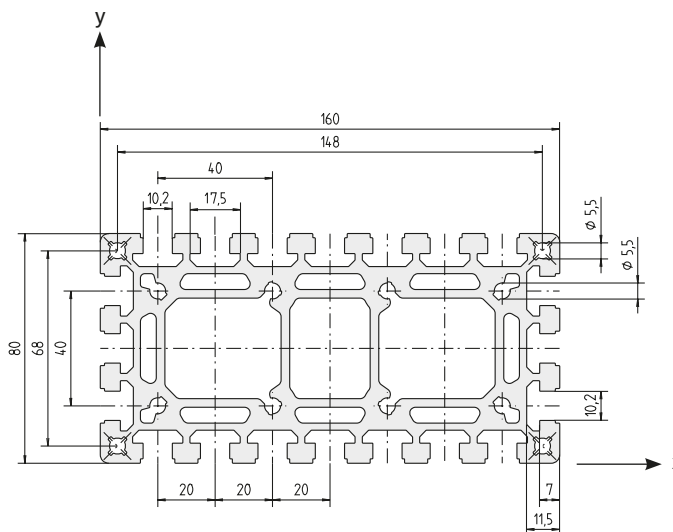
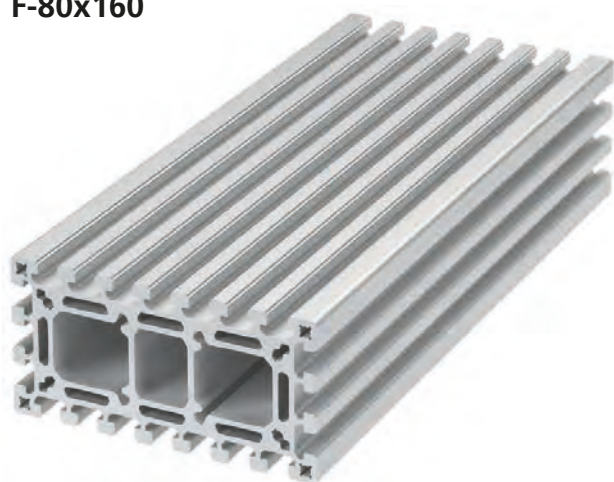
Area	3267	mm <sup>2</sup>
I <sub>x</sub>	242.5	cm <sup>4</sup>
I <sub>y</sub>	500.7	cm <sup>4</sup>
I <sub>t</sub>	177.5	cm <sup>4</sup>
W <sub>x</sub>	60.6	cm <sup>3</sup>
W <sub>y</sub>	83.5	cm <sup>3</sup>
Weight	8822	g/m

Code No. F-80x120 profile			Anodised
4685000	Cut to size	max. 6000 mm	Clear
4685001	Bar	6000 mm	Clear
Connection	Connection to slot geometry	lot sizes	Code No.
 long.	30	–	4326706
	40	–	4326702
 transverse	30	10, 20, 30... pcs	4316706
	40	10, 20, 30... pcs	4246702

For description of slot geometry, please see page 26



### F-80x160



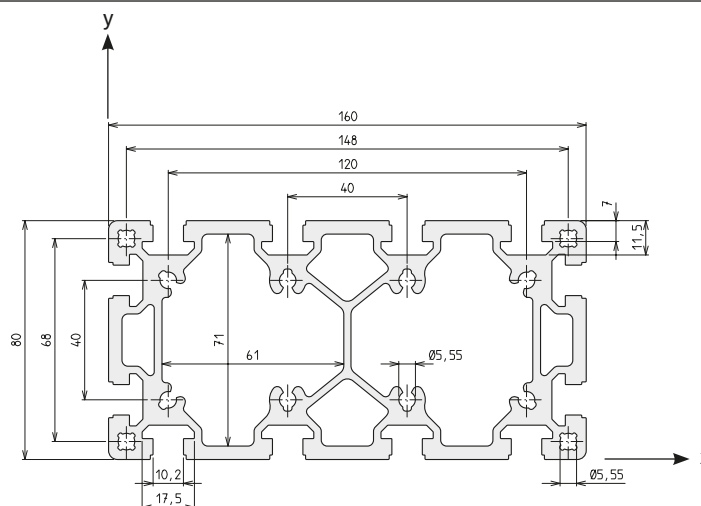
Code No. Profile F-80x160			Anodised
4075000	Cut to size	max. 6000 mm	Clear
4075001	Bar	6000 mm	Clear

Area	4723	mm <sup>2</sup>
I <sub>x</sub>	314.6	cm <sup>4</sup>
I <sub>y</sub>	1126.9	cm <sup>4</sup>
I <sub>t</sub>	254.5	cm <sup>4</sup>
W <sub>x</sub>	77.4	cm <sup>3</sup>
W <sub>y</sub>	140.9	cm <sup>3</sup>
Weight	12753	g/m

Connection	Connection to slot geometry	lot sizes	Code No.
	30	–	4336706
	40	–	4336702
	30	10, 20, 30... pcs	4316706
	40	10, 20, 30... pcs	4246702

For description of slot geometry, please see page 26

### F-80x160-L



Code No. F-80x160-L profile			Anodised
4925000	Cut to size	max. 6000 mm	Clear
4925001	Bar	6000 mm	Clear

Area	3714	mm <sup>2</sup>
I <sub>x</sub>	291.3	cm <sup>4</sup>
I <sub>y</sub>	1024.6	cm <sup>4</sup>
I <sub>t</sub>	250.4	cm <sup>4</sup>
W <sub>x</sub>	72.8	cm <sup>3</sup>
W <sub>y</sub>	128.1	cm <sup>3</sup>
Weight	10028	g/m

Connection	Connection to slot geometry	lot sizes	Code No.
	30	–	4336706
	40	–	4336702
	30	10, 20, 30... pcs	4316706
	40	10, 20, 30... pcs	4246702

For description of slot geometry, please see page 26

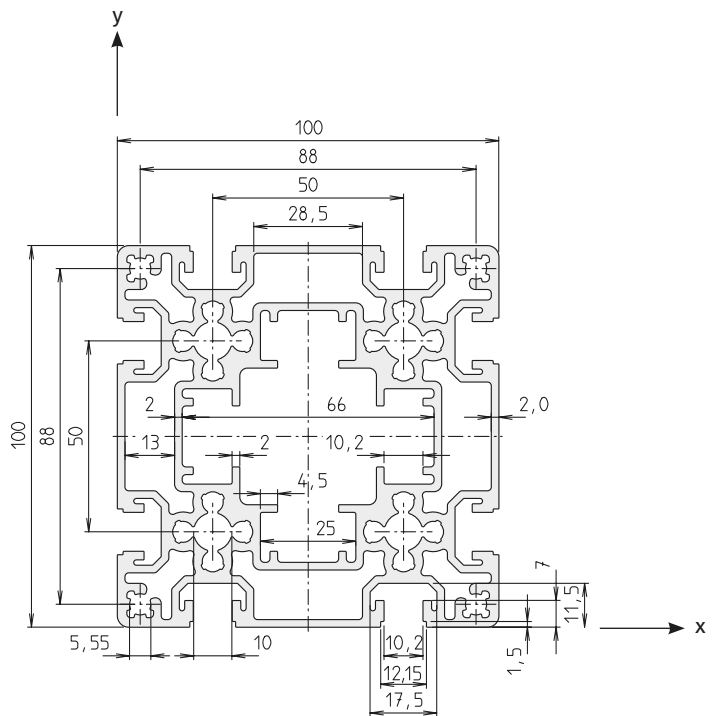
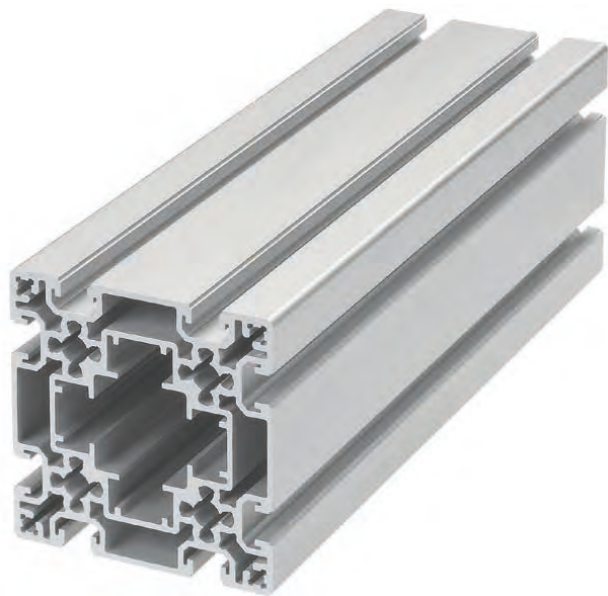
**Structural profiles**

**Profiles / size 100/120**

**Order instruction: flange bracket**

- Purchase only in lot sizes and a multiple of that see product table below

**F-100x100**

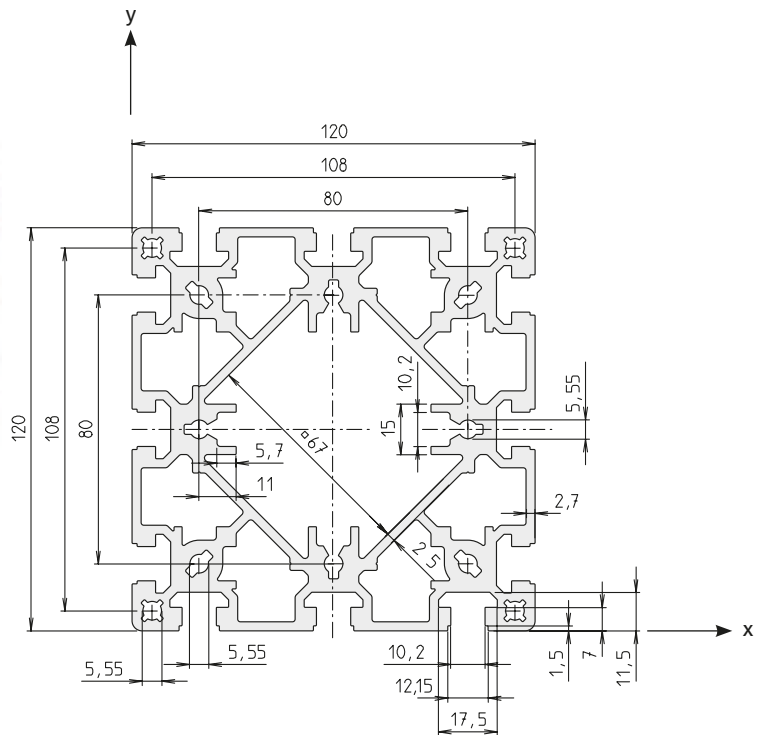


Area	2890	mm <sup>2</sup>
I <sub>x</sub>	304.1	cm <sup>4</sup>
I <sub>y</sub>	304.1	cm <sup>4</sup>
I <sub>t</sub>	156.9	cm <sup>4</sup>
W <sub>x</sub>	60.8	cm <sup>3</sup>
W <sub>y</sub>	60.8	cm <sup>3</sup>
Weight	7804	g/m

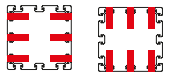
Code No. F-100x100 profile			Anodised
4695000	Cut to size	max. 6000 mm	Clear
4695001	Bar	6000 mm	Clear
Connection	Connection to slot geometry	lot sizes	Code No.
	30	10, 20, 30... pcs	4086706
	40	10, 20, 30... pcs	4086702

For description of slot geometry, please see page 26

## F-120x120



Area	4259	mm <sup>2</sup>
$I_x$	665.1	cm <sup>4</sup>
$I_y$	665.1	cm <sup>4</sup>
$I_t$	349.3	cm <sup>4</sup>
$W_x$	110.8	cm <sup>3</sup>
$W_y$	110.8	cm <sup>3</sup>
Weight	11500	g/m

Code No. F-120x120 profile			Anodised
4165000	Cut to size	max. 6000 mm	Clear
4165001	Bar	6000 mm	Clear
Connection	Connection to slot geometry	lot sizes	Code No.
 long. + transverse	30	10, 20, 30... pcs	4816703
	40	10, 20, 30... pcs	4816702

For description of slot geometry, please see page 26

Structural profiles

# Right-angle connections

## Versions



Flange bracket connection



Slot stone -L/E-II



Hidden screw -B-



Compatibility connector



Bracing plate



Connecting plate



Profile angle bracket



Angle brackets -cast-



Angle brackets -sheet steel-



Corner clamp WV



# Table of contents

## Connection techniques

### Right-angle connections

Flange bracket connection .....	p. 48
Slot stone -L/E- II.....	p. 52
Hidden screw -B- .....	p. 52
Compatibility connector .....	p. 53
Bracing plate .....	p. 54
Connecting plate.....	p. 56
Profile angle bracket.....	p. 58
Angle brackets -cast-.....	p.60
Angle brackets -sheet steel- .....	p. 64
Corner clamp WV .....	p. 65

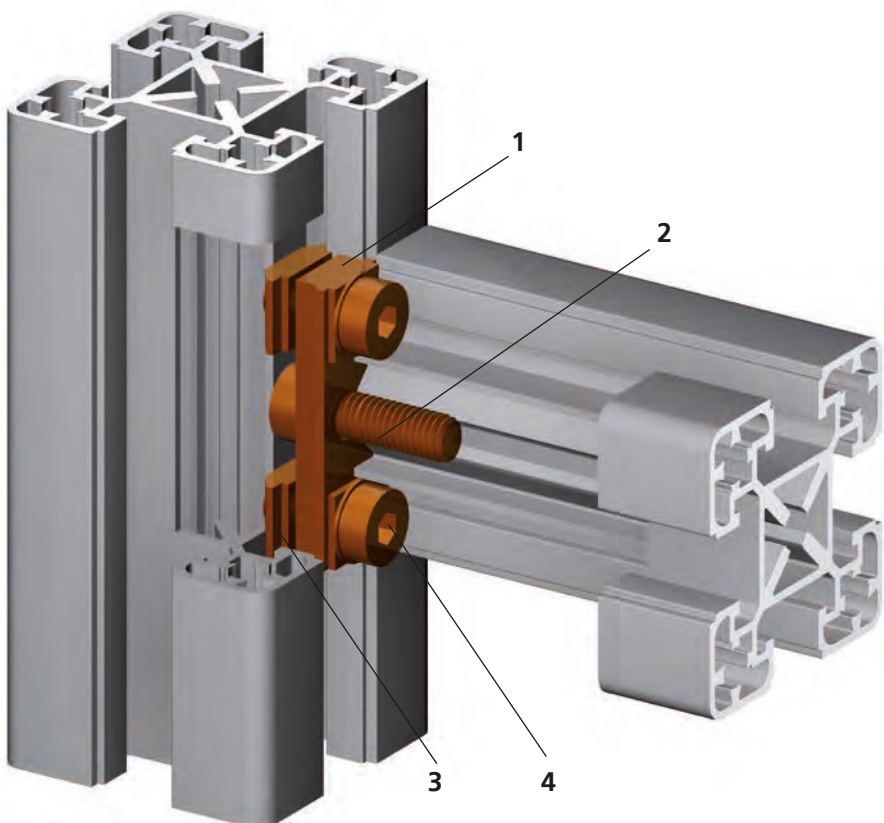
## Structural profiles

# Right-angle connections

### Flange bracket connection

- The flange bracket (1) is the simplest and most cost-efficient method of connecting profiles.

- No additional machining necessary
- Direct fixing in the profile screw channels
- Direct insertion of RK expansion screws or standard DIN socket head cap screws (2)
- Very stable
- Only a list of profile cut lengths is required
- Minimal effort required in construction
- Can be disconnected at any time

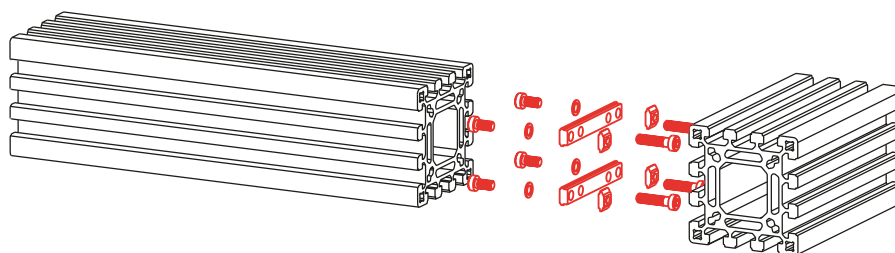
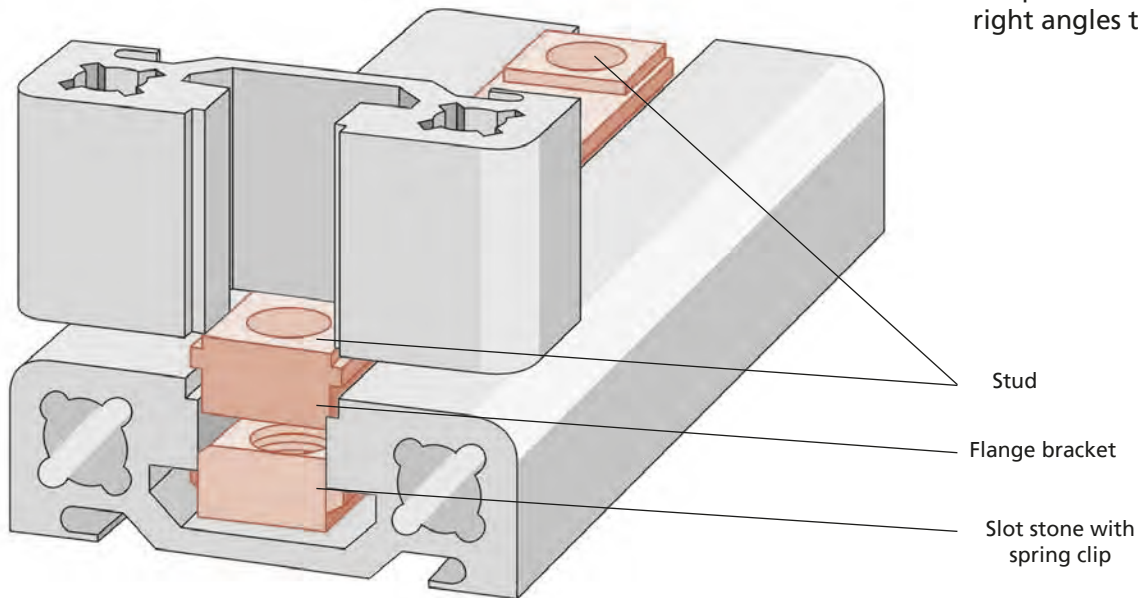


1. Flange bracket
2. Socket head cap screw/RK expansion screw
3. Slot stone with spring clip
4. Socket head cap screw



## Position diagram

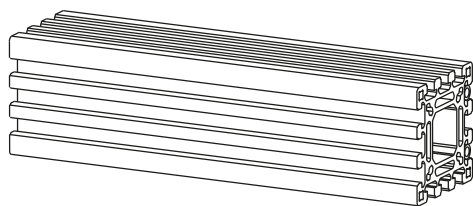
- The studs (see figure) centre the profiles in relation to one another, thus preventing torsion. This centring effect also allows the profiles to be assembled at right angles to each other.



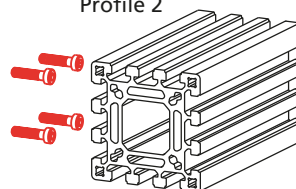
### Step 1

Insert flange bracket (studs engage in profile slots) into profile 1 and tighten with hexagon socket keys, self-centred by studs – Gutting oil and using a drill make it easier to insert the screws.

Profile 1

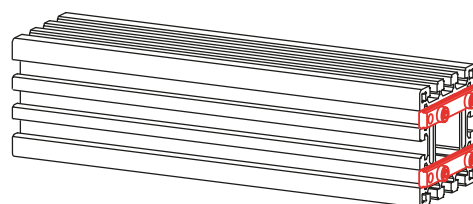


Profile 2



### Step 2

Slide/insert edge-first the slot stones with spring clip into profile 2 and slide them into the correct position.



### Step 3

Put together profile 1 and profile 2 and connect the flange bracket to the slot stones with spring clip using fixing screws.

## Structural profiles

# Right-angle connections

### Order instruction: flange bracket

- Purchase only in lot sizes and a multiple of that see product table below
- Each Code No. includes one flange bracket and fastenings.

Material: zinc plated

### Flange brackets

- For static loads  
(For standard DIN screw, please see page 95)

Material: Galvanised steel



Material: stainless steel



Code No.	Type	lot sizes	To slot geom.	For profile (quantity required per connection)
4306709	30	10, 20, 30... pcs	30	F-30x30 (1x)
4306710	30	10, 20, 30... pcs	40	F-30x30 (1x)
4176704	30	10, 20, 30... pcs	30	F-30x60 (2x), F-30x80 (2x), F-30x100 (2x), F-30x120 (3x), F-30x160 (4x)
4176705	30	10, 20, 30... pcs	40	F-30x60 (2x), F-30x80 (2x), F-30x100 (2x), F-30x120 (3x), F-30x160 (4x)
4816703	40	10, 20, 30... pcs	30	F-40x40 (1x), F-40x40-L (1x), F-40x80 (2x), F-40x80-L (2x), F-40x80/3 (2x), F-40x120 (3x), F-40x120 (4x),
4816702	40	10, 20, 30... pcs	40	F-40x40 (1x), F-40x40-L (1x), F-40x80 (2x), F-40x80-L (2x), F-40x80/3 (2x), F-40x120 (3x), F-40x160 (4x),
4246702	80	10, 20, 30... pcs	40	F-30x80 (1x), F-40x80 (1x), F-40x80-L (1x), F-40x80/3 (1x), F-80x80 (2x), F-80x80/2 (2x), F-80x80/2-L (2x), F-80x80-L (1x), F-80x120 (3x), F-80x160 (4x), F-80x160-L (4x)
4086706	50	10, 20, 30... pcs	30	F-50x50 (1x), F-50x50-L (1x), F-50x100 (2x), F-50x200 (2/4x), F-30x100 (2x), F-100x100 (4x)
4086702	50	10, 20, 30... pcs	40	F-50x50 (1x), F-50x50-L (1x), F-50x100 (2x), F-50x200 (2/4x), F-30x100 (2x), F-100x100 (4x)
4226706	60	10, 20, 30... pcs	30	F-30x60 (1x), F-60x60 (2x), F-60x60/1 (1x), F-60x60-L (1x), F-60x120 (4x)
4226702	60	10, 20, 30... pcs	40	F-30x60 (1x), F-60x60 (2x), F-60x60/1 (1x), F-60x60-L (1x), F-60x120 (4x)
4316706	80	10, 20, 30... pcs	30	F-30x80 (1x), F-40x80 (1x), F-40x80-L (1x), F-40x80/3 (1x), F-80x80 (2x), F-80x80/2 (2x), F-80x80/2-L (2x), F-80x80-L (1x), F-80x120 (3x), F-80x160 (4x), F-80x160 (4x)
4326706	120	-	30	F-30x120 (1x), F-40x120 (1x), F-60x120 (2x), F-80x120 (2x)
4326702	120	-	40	F-30x120 (1x), F-40x120 (1x), F-60x120 (2x), F-80x120 (2x)
4336706	160	-	30	F-30x160 (1x), F-40x160 (1x), F-80x160 (2x), F-80x160-L (2x)
4336702	160	-	40	F-30x160 (1x), F-40x160 (1x), F-80x160 (2x), F-80x160-L (2x)

Material: stainless steel

Code No.	Type	lot sizes	To slot geom.	For profile (quantity required per connection)
4819702	40	-	40	F-40x40 (1x), F-40x40-L (1x), F-40x80 (2x), F-40x80-L (2x), F-40x80/3 (2x), F-40x120 (3x), F-40x160 (4x)
4249702	80	-	40	F-30x80 (1x), F-40x80 (1x), F-40x80-L (1x), F-40x80/3 (1x), F-80x80 (2x), F-80x80/2 (2x), F-80x80/2-L (2x), F-80x80-L (1x), F-80x120 (3x), F-80x160 (4x), F-80x160-L (4x)

Required number of flange brackets to fully assemble two profiles.

## Flange brackets

- For low dynamic loads  
(For RK expansion screw, please see page 95)



Code No.	Type	lot sizes	To slot geom.	For profile (quantity required per connection)
4816700	40	10, 20, 30... pcs	40	F-40x40 (1x), F-40x40-L (1x)
4086700	50	10, 20, 30... pcs	40	F-50x50 (1x), F-50x50-L (1x), F-50x100 (2x), F-50x200 (4x)
4226700	60	10, 20, 30... pcs	40	F-60x60 (2x), F-60x60/1 (1x), F-60x60-L (1x), F-60x120 (4x)
4246700	80	10, 20, 30... pcs	40	F-80x80 (2x), F-80x80/2 (2x), F-80x80/2-L (2x), F-80x80-L (1x), F-80x120 (3x), F-80x160 (4x), F-80x160-L (4x)
4326700	120	-	40	F-30x120 (1x), F-40x120 (1x), F-60x120 (2x), F-80x120 (2x)
4336700	160	-	40	F-30x160 (1x), F-40x160 (1x), F-80x160 (2x), F-80x160-L (2x)

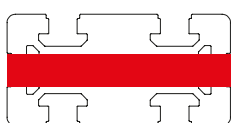
Required number of flange brackets to fully assemble two profiles.

## Flange brackets

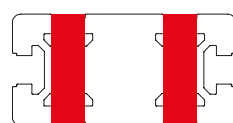
- With equipotential bonding
- The -PA- slot stones have an equipotential bonding effect by destroying the anodised layer.



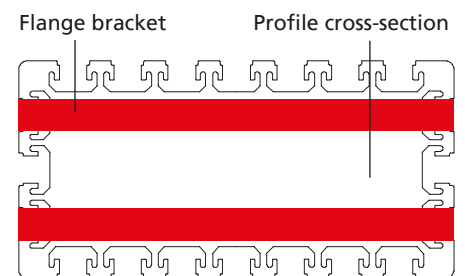
Code No.	Type	lot sizes	To slot geom.	For profile (quantity required per connection)
4306c09	30	10, 20, 30... pcs	30	F-30x30 (1x)
4816c02	40	10, 20, 30... pcs	40	F-40x40 (1x), F-40x40-L (1x), F-40x80 (2x), F-40x80-L (2x), F-40x80/3 (2x), F-40x120 (3x), F-40x160 (4x)
4086c02	50	10, 20, 30... pcs	40	F-50x50 (1x), F-50x50-L (1x), F-50x100 (2x), F-50x200 (2/4x), F-30x100 (2x), F-100x100 (4x)
4226c02	60	10, 20, 30... pcs	40	F-30x60 (1x), F-60x60 (2x), F-60x60/1 (1x), F-60x60-L (1x), F-60x120 (4x)
4246c02	80	10, 20, 30... pcs	40	F-30x80 (1x), F-40x80 (1x), F-40x80-L (1x), F-40x80/3 (1x) F-80x80 (2x), F-80x80/2 (2x), F-80x80/2-L (2x), F-80x80-L (1x), F-80x120 (3x), F-80x160 (4x), F-80x160-L (4x)



F-40x80 profile  
Connection -longitudinal-  
(to 40 slot geometry) 1x  
Code No. 4246702



F-40x80 profile  
Connection -transverse-  
(to 40 slot geometry) 2x  
Code No. 4816702



F-80x160 profile  
For longitudinal connection  
(to 40 slot geometry) 2x  
Code No. 4336702

## Structural profiles

# Right-angle connections

### Order instruction:

- Purchase only in lot sizes and a multiple of that see product table below

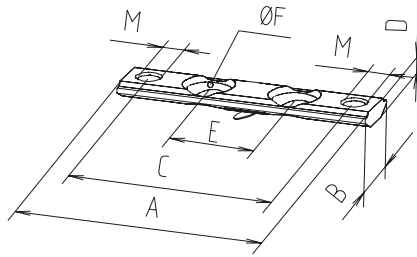
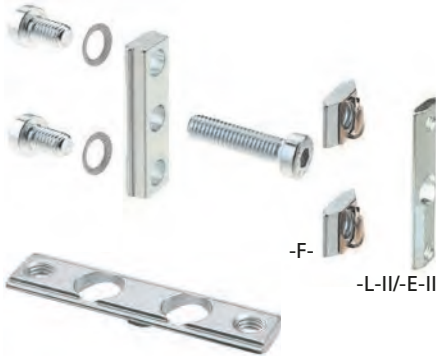
- In the flange bracket sets, the standard -F- slot stones can be replaced by -L/E- slot stones with hole.

- The greater supporting surface reduces the surface pressure

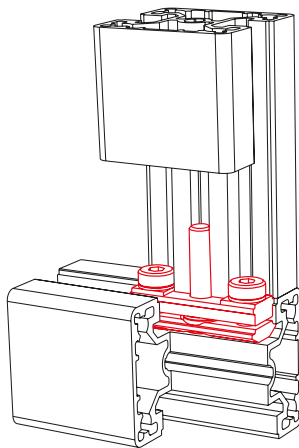
**Material:** Galvanised steel

### Slot stone -L/E- II

(with hole)



Only have one hole:  
Slot stones -L- II types M5 / 29, M6 / 38  
Slot stone -E- II type M6 / 38 [mm]

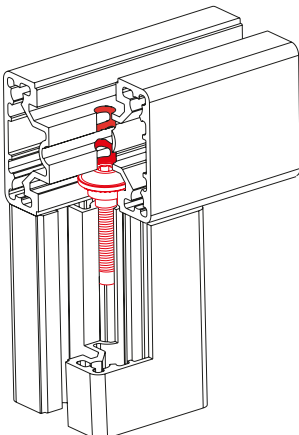


Code No.	Type	lot sizes	To slot geom.	A	B	C	D	E	F	M
<b>Slot stone -L- II</b>										
4006207	M5 / 29	10, 20, 30... pcs	30	29	12	21.5	4	0	8.5	M5
4016206	M6 / 38	10, 20, 30... pcs	40	38	14	28	4	0	10.2	M6
4016207	M6 / 48	10, 20, 30... pcs	40	48	14	38	4	15.5	10.2	M6
4016208	M6 / 58	10, 20, 30... pcs	40	58	14	48	4	20	10.2	M6
4046206	M6 / 78	10, 20, 30... pcs	40	78	14	68	4	40	10.2	M6
<b>Slot stone -E- II (slide-in)</b>										
4006224	M6 / 38	10, 20, 30... pcs	40	38	16.5	28	3.8	0	10.2	M6
4006239	M6 / 58	10, 20, 30... pcs	40	58	16.5	48	3.8	15.5	10.2	M6
4006240	M6 / 78	10, 20, 30... pcs	40	78	16.5	68	3.8	40	10.2	M6

### Hidden screw -B-



Ø 6 mm hole



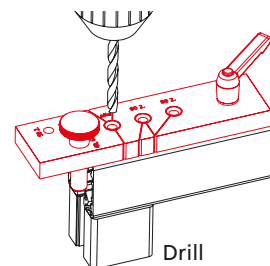
Cost-effective connection technique for profiles with 30 and 40 slot geometry

Self-tapping – Threading not required

**Material:** Galvanised steel

#### Assembly:

1. Drill a 6 mm hole (e.g. with RK drilling fixture) at the required position in the crossing profile
2. Insert the hidden screw into the profile slot as far as the hole
3. Insert T-handle key through the hole and into the shoulder screw and screw the two profiles to one another



Code No.	Type	lot sizes	Type
4576510	F-30x30	10, 20, 30... pcs	Hidden screw -B- M5x25
4816510	F-40x40	10, 20, 30... pcs	Hidden screw -B- M6x30
4016516	-	-	Drilling fixture for hidden screw -B-

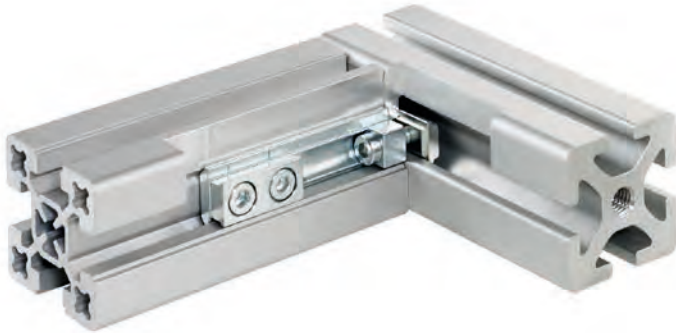


### Compatibility connector 40

- The compatibility connector allows BLOCAN® profiles to be connected to aluminium profiles of other manufacturers.

**Material:** Galvanised steel

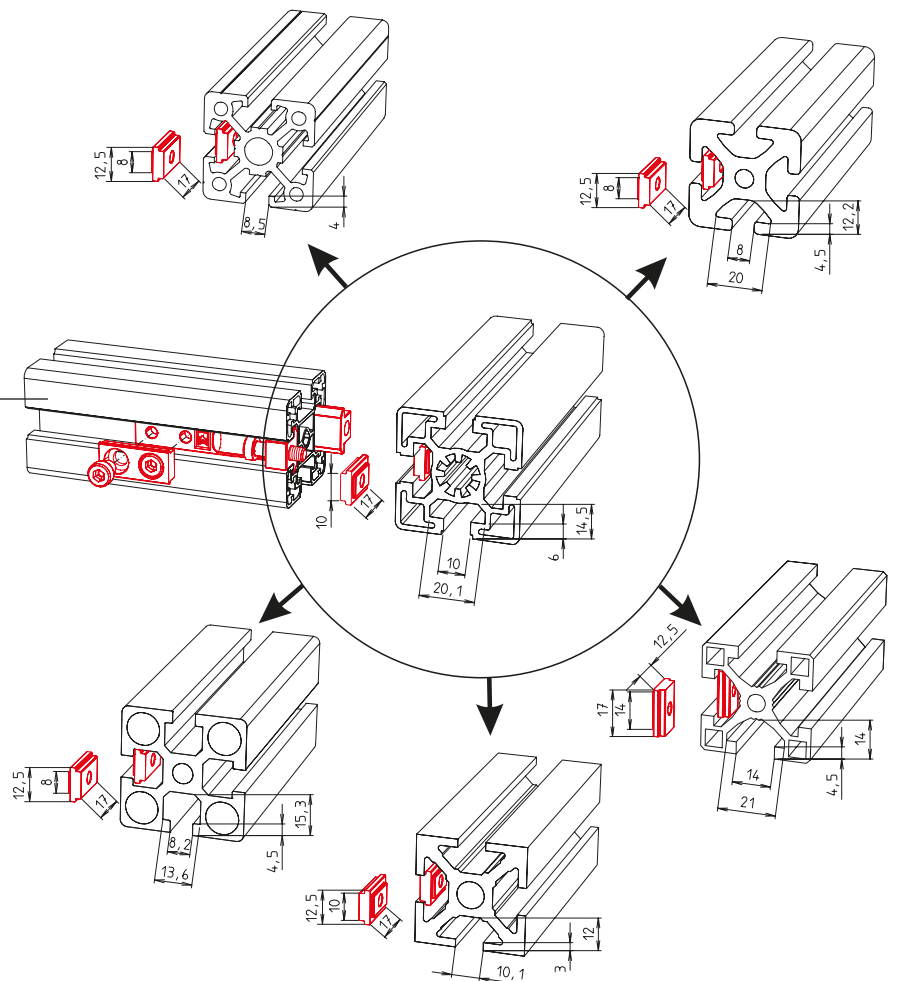
**Includes:** 2 connectors with fastenings



Code No.	Type	Suitable for slot widths
4016581	Compatibility connector 40	8, 10, 14 mm

### Position diagram

RK profile, 40 slot geometry



## Structural profiles

# Right-angle connections

### Bracing plates

#### Features:

- Superficial bracing of the three most important junctions L, T, X
- Panels and wire mesh do not need to be notched, as is usually the case with angle brackets.

#### Material:

black powder-coated steel or grey powder-coated steel

#### Fixing material

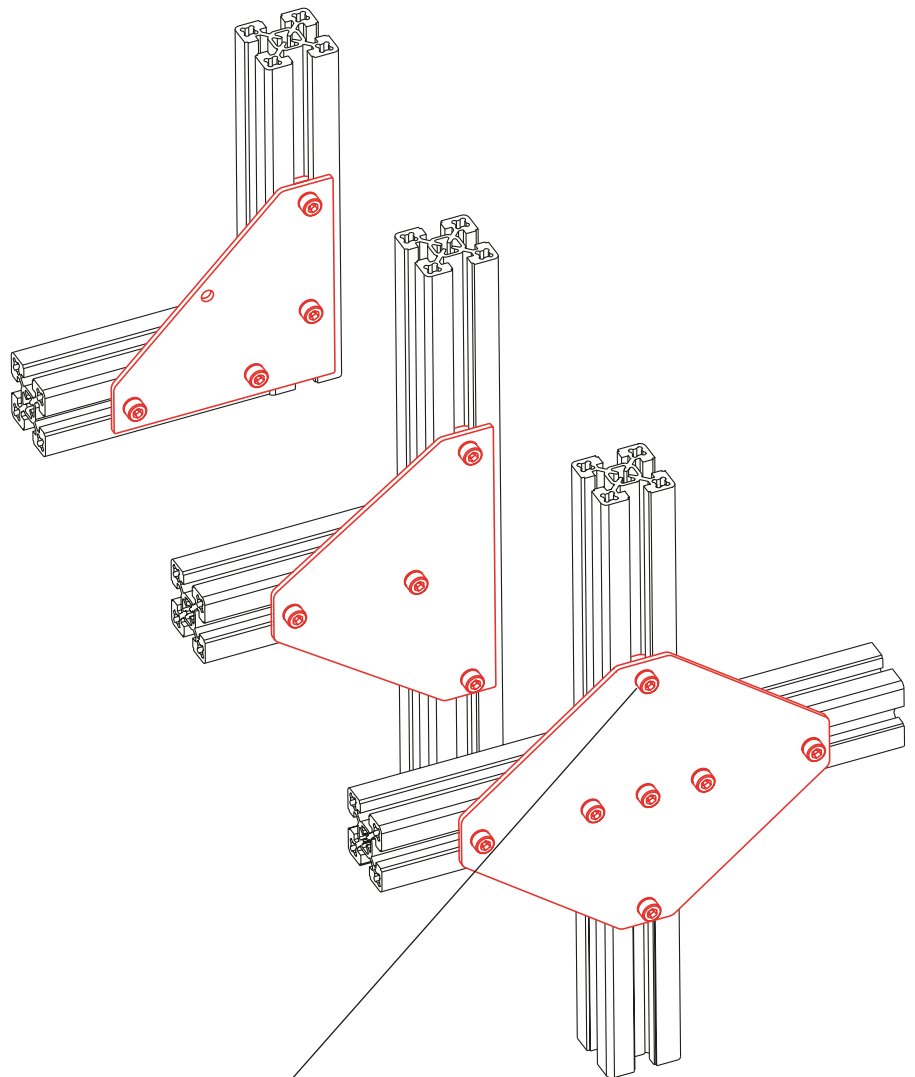
galvanised fastenings

**Includes:** Bracing plate complete with fixing sets

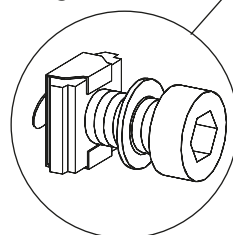
grey RAL 9006

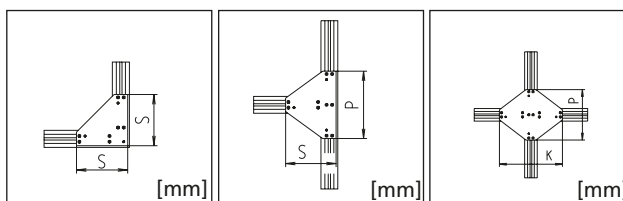


black RAL 9005



Fixing set





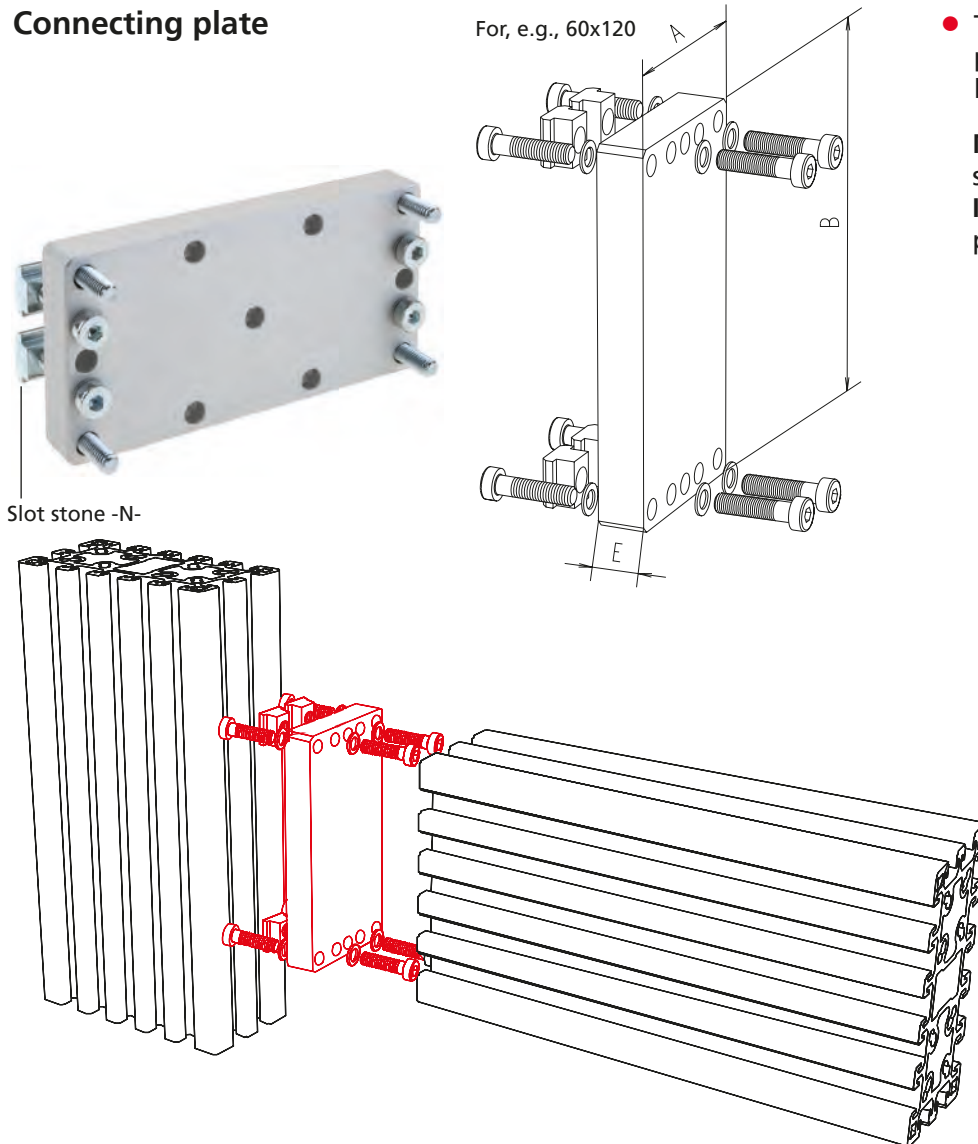
Code No.	Type	Wall thickness	Type L	Type T	Type X	colour
4002113	30x30	3 mm	S = 90			grey
4002183	30x30	3 mm		S = 90 / P = 120		grey
4002111	30x30	3 mm	S = 90			black
4002181	30x30	3 mm		S = 90 / P = 120		black
4002191	30x30	3 mm			P = 120 / K = 150	black
4012113	40x40	3 mm	S = 120			grey
4012183	40x40, 40x40-L	3 mm		S = 120 / P = 160		grey
4012111	40x40, 40x40-L	3 mm	S = 120			black
4012181	40x40, 40x40-L	3 mm		S = 120 / P = 160		black
4012191	40x40, 40x40-L	3 mm			P = 160 / K = 200	black
4082113	F-50x50, F-50x50-L	4 mm	S = 150			grey
4082183	F-50x50, F-50x50-L	4 mm		S = 150 / P = 200		grey
4082111	F-50x50, F-50x50-L	4 mm	S = 150			black
4082181	F-50x50, F-50x50-L	4 mm		S = 150 / P = 200		black
4082191	F-50x50, F-50x50-L	4 mm			P = 200 / K = 250	black
4122113	F-60x60	4 mm	S = 180			grey
4122183	F-60x60	4 mm		S = 180 / P = 240		grey
4122111	F-60x60	4 mm	S = 180			black
4122181	F-60x60	4 mm		S = 180 / P = 240		black
4122191	F-60x60	4 mm			P = 240 / K = 300	black
4222113	F-60x60-L, F-60x60/1	4 mm	S = 180			grey
4222183	F-60x60-L, F-60x60/1	4 mm		S = 180 / P = 240		grey
4222111	F-60x60-L, F-60x60/1	4 mm	S = 180			black
4222181	F-60x60-L, F-60x60/1	4 mm		S = 180 / P = 240		black
4222191	F-60x60-L, F-60x60/1	4 mm			P = 240 / K = 300	black
4242113	F-80x80-L	4 mm	S = 240			grey
4242183	F-80x80-L	4 mm		S = 240 / P = 320		grey
4242111	F-80x80-L	4 mm	S = 240			black
4242181	F-80x80-L	4 mm		S = 240 / P = 320		black
4242191	F-80x80-L	4 mm			P = 320 / K = 400	black
4042113	80x80, F-80x80/2-L, F-80x80/2	4 mm	S = 240			grey
4042183	80x80, F-80x80/2-L, F-80x80/2	4 mm		S = 240 / P = 320		grey
4042111	80x80, F-80x80/2-L, F-80x80/2	4 mm	S = 240			black
4042181	80x80, F-80x80/2-L, F-80x80/2	4 mm		S = 240 / P = 320		black
4042191	80x80, F-80x80/2-L, F-80x80/2	4 mm			P = 320 / K = 400	black

bracing plates 60x120 and 80x160 (black) type L, T, X on request.  
bracing plates type L, T, X aluminium on request.

## Structural profiles

# Right-angle connections

### Connecting plate



- The connecting plates allow profiles to be fixed in the profile slots at the sides.

**Material:** Aluminium, galvanised fastenings

**Includes:** Connecting plate complete with accessories

[mm]

Code No.	Type	A	B	E
<b>Connecting plate connection – face-to-slot</b>				
4005412	30x30	30	30	15
4015412	40x40, 40x40-L	40	40	15
4645411	F-40x120	40	120	15
4655411	F-40x160	40	160	15
4085412	F-50x50, F-50x50-L	50	50	15
4665411	F-50x100	50	100	15
4675411	F-50x200	50	200	15
4225412	F-60x60-L, F-60x60/1	60	60	15
4125412	60x60	60	60	15
4065411	F-60x120	60	120	15
4035412	40x80	40	80	15
4045412	80x80	80	80	15
4245412	F-80x80-L	80	80	15
4685411	F-80x120	80	120	15
4075411	F-80x160	80	160	15
4695411	F-100x100	100	100	15





## Structural profiles

# Right-angle connections

### Profile angle bracket Bar material

- Made from aluminium extruded profiles.
- With integrated screw channel for fastening panels.

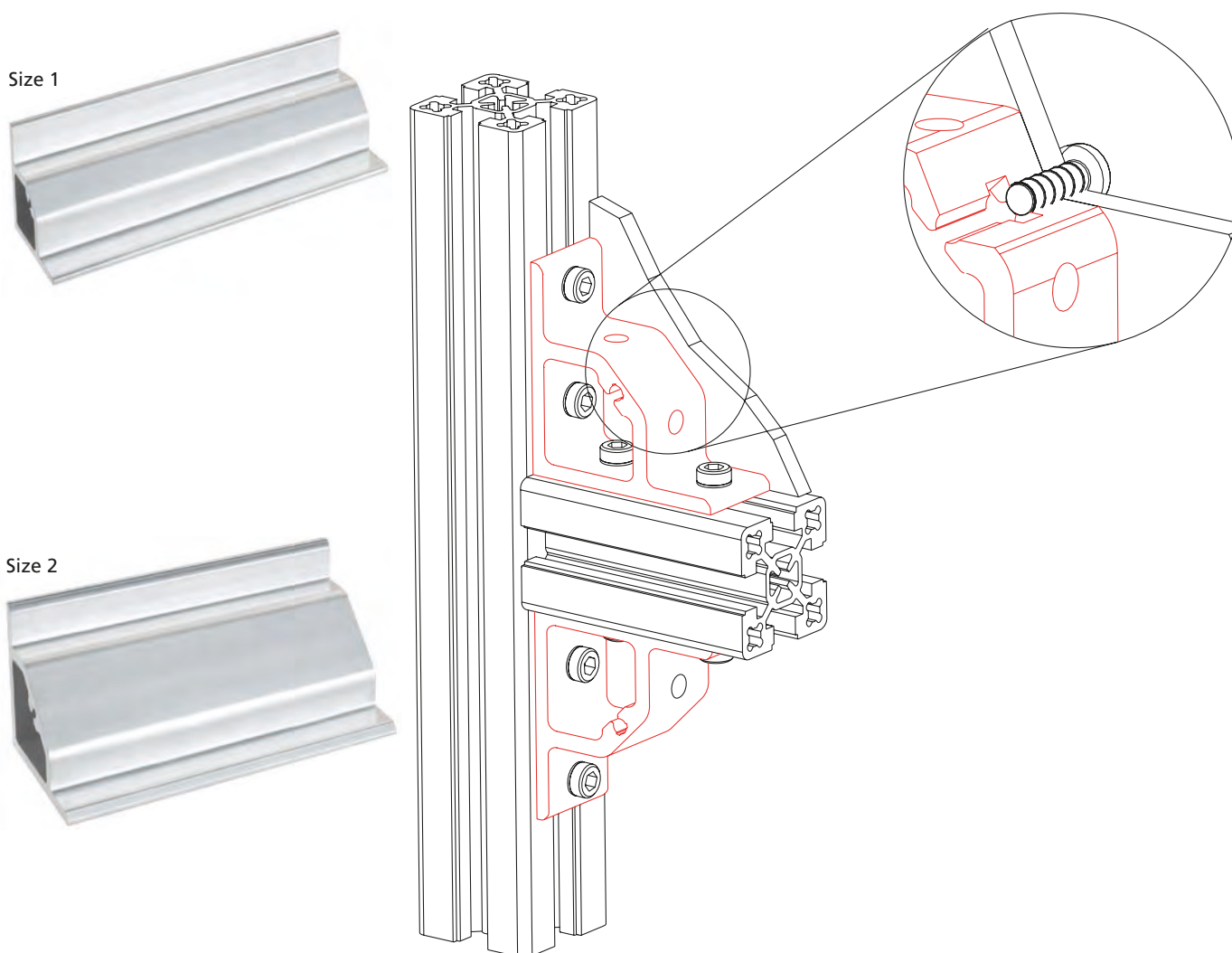
**Material:** Aluminium, clear anodised profile angle bracket  
Non-anodised bar  
Angle tolerance  $90^{\circ} \pm 5'$ .

**Fixing sets:**

The angle brackets can be screwed to the profile with the fixing sets. Further slot stone types can be found on page 67.

**Includes:**

1 screw with washer and slot stone.



For dimension table, please see opposite page

Code No.	Version			
4010102	Size 1	Cut to size	max. 3000 mm	Non-anodised
4010103		Bar	3000 mm	Non-anodised
4030102	Size 2	Cut to size	max. 3000 mm	Non-anodised
4030103		Bar	3000 mm	Non-anodised

**Order instruction:**

- Purchase only in lot sizes and a multiple of that see product table below

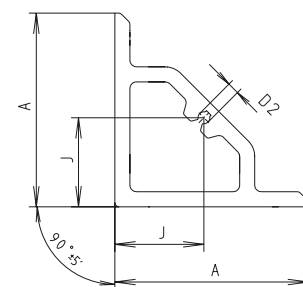
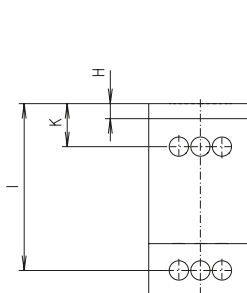
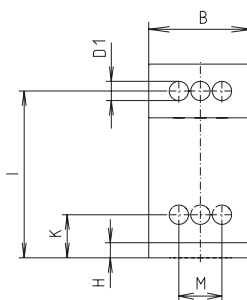
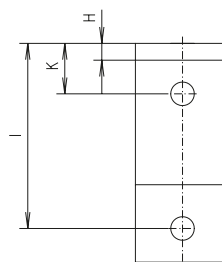
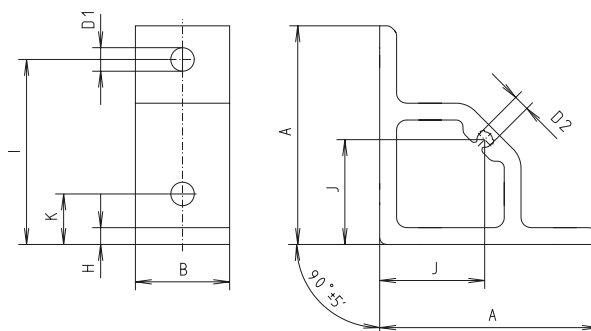
**Profile angle bracket, size 1**

**Profile angle bracket, size 2**

Figure shows type 40



[mm]

Code No.	Type	Version	A	B	D1	D2	H	I	J	K	M
4015101	40	Size 1	64.15	28	7	4.65	4.15	55	30.3	20	-
4085101	50	Size 1	64.15	38	7	4.65	4.15	55	30.3	15	-
4035101	40	Size 2	89.3	28	9	5.55	6.3	77.5	40.65	20	-
4125101	60	Size 2	89.3	48	9	5.55	6.3	77.5	40.65	20	20
4145101	80	Size 2	89.3	68	9	5.55	6.3	77.5	40.65	20	40

Code No.	Size	Version	lot sizes
<b>Fixing sets (1 slot stone with screw, washer)</b>			
4015105	1	M6x16, slot stone -N-	10, 20, 30... pcs
4035110	2	M8x18, slot stone -N-	10, 20, 30... pcs
4015106	1	M6x16, slot stone -K-	10, 20, 30... pcs
4035111	2	M8x18, slot stone -K-	10, 20, 30... pcs
4015107	1	M6x16, slot stone -R-	10, 20, 30... pcs
4035112	2	M8x18, slot stone -R-	10, 20, 30... pcs

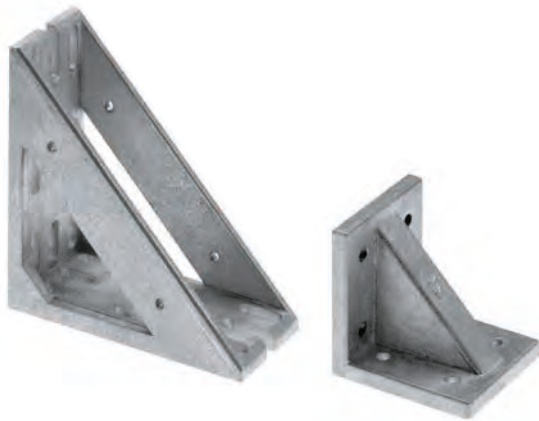
## Structural profiles

# Right-angle connections

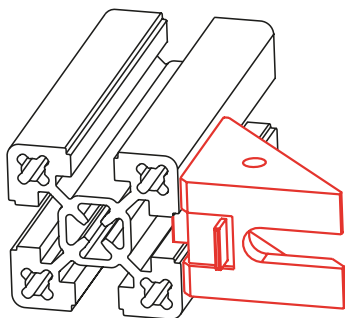
### Angle brackets -cast-

- A centring rib simplifies assembly and prevents angle bracket torsion. If necessary, this rib can be bent with a pliers.

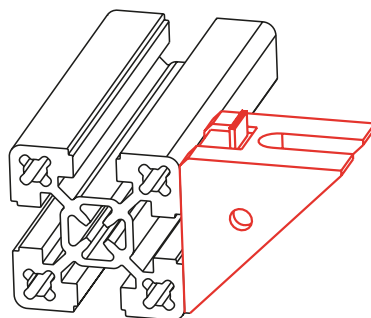
**Material:**  
Gravity die-cast aluminium



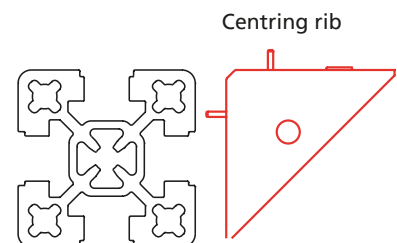
**Material:**  
Die-cast zinc



**Angle bracket along the profile:**  
Angle bracket is centred in the profile slot and prevents torsion.

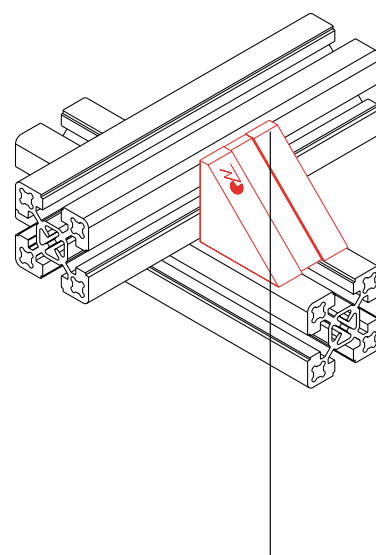
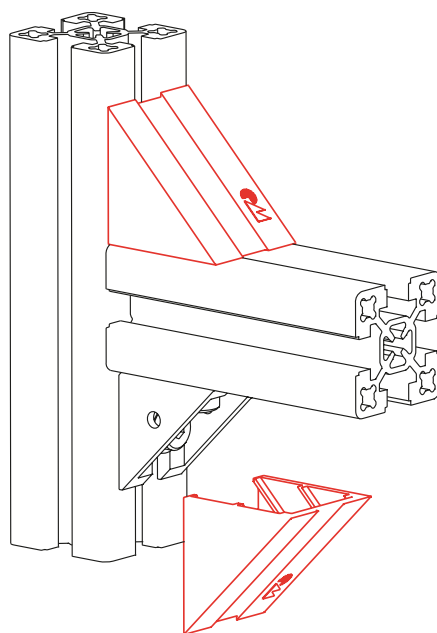


**Angle bracket perpendicular to the profile:**  
Centring rib must be bent.



## Plastic cover for angle brackets

- For aesthetic effect or to protect against soiling, plastic covers may be placed on the angle brackets.
- **Material:** Black polyamide plastic

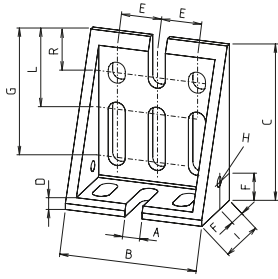


One side with chamfer for crossing connection with one angle bracket 40x40-2

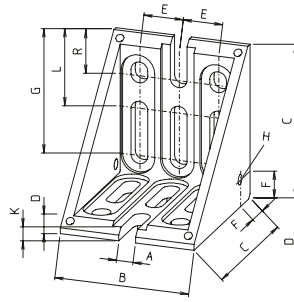
Code No.	Type	lot sizes
4008101	For angle bracket 30x30 (2 braces)	10, 20, 30... pcs
4018102	For angle bracket 40x40 (2 braces)	10, 20, 30... pcs
4018103	For angle bracket 40x40 (2 braces) with chamfer for crossing connection	10, 20, 30... pcs
4028101	For angle bracket 50/60	10, 20, 30... pcs

**Structural profiles**

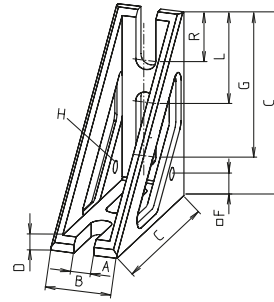
**Right-angle connections**



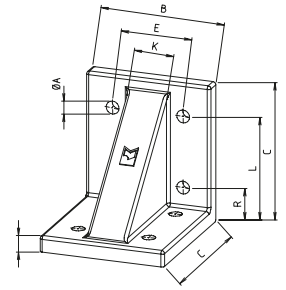
Angle bracket 80x40x80  
Gravity die-cast aluminium



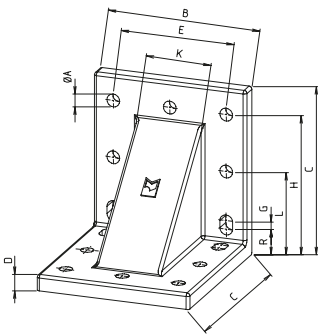
Angle bracket 80  
Die-cast zinc



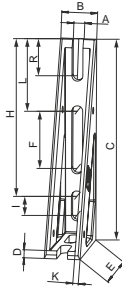
Angle bracket 40x80  
Gravity die-cast aluminium



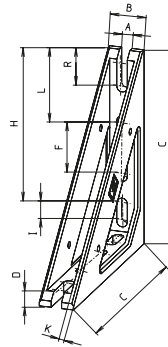
Angle bracket 100  
Gravity die-cast aluminium



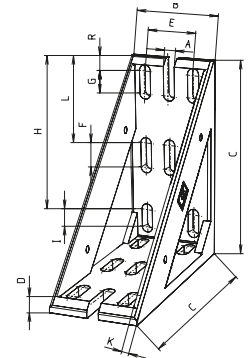
Angle brackets 120 + 160  
Gravity die-cast aluminium



Angle bracket 40x80x160  
Gravity die-cast aluminium



Angle bracket 40x160  
Gravity die-cast aluminium

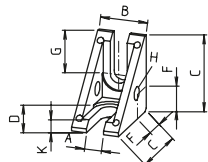
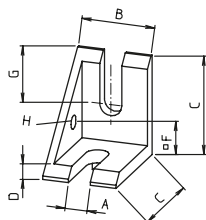
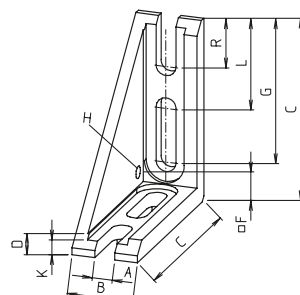
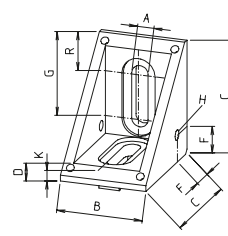
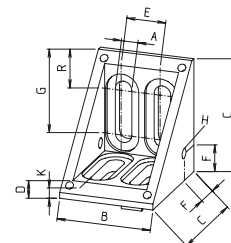


Angle bracket 80x160  
Gravity die-cast aluminium

														[mm]
Code No.	Type	Version	A	B	C	D	E	F	G	H	I	O	L	R
<b>Cast angle bracket</b>														
4044102	80x40x80	2 braces	8.5	68	78	6	20	14	61	5.2	38	–	38	19
4044101	80	2 braces	8.5	68	78	8	20	14	61	5.2	–	6	38	20
4034100	40x80	2 braces	8.5	28	78	6	–	14	61	5.2	–	–	38	20
4695100	100	–	9	88	98	11	50	–	–	–	–	28	75	25
4165100	120	–	9	108	118	11	80	–	5	100	–	46	60	20
4014100	40x80x160	2 braces	8.5	28	158	6	78	45	–	123	15	4	56	28
4654100	40x160	2 braces	8.5	28	158	11	–	45	–	123	15	5.5	56	28
4444100	160	–	9	148	158	11	120	–	5	140	–	78	80	20
4074100	80x160	2 braces	9	68	158	11	40	20	18	95	15	5.5	70	12

**Order instruction:**

- Purchase only in lot sizes and a multiple of that see product table below


 Angle brackets 30 + 40  
Die-cast zinc

 Angle bracket 40-1  
Die-cast zinc

 Angle bracket 40x80-1  
Die-cast zinc

 Angle bracket 50/60  
Die-cast zinc

 Angle bracket F-60x60  
Die-cast zinc

														[mm]		
Code No.	Type	lot sizes	Version	A	B	C	D	E	F	G	H	I	O	L	R	
<b>Cast angle bracket</b>																
4004101	30	10, 20, 30... pcs	2 braces	6.5	18	29	5	-	10	15	5.2	-	4	-	-	
4014101	40-1	10, 20, 30... pcs	1 brace	8.4	28	38	5	-	14	19	5.2	-	-	-	-	
4014102	40	10, 20, 30... pcs	2 braces	8.4	28	38	5	-	14	19	5.2	-	-	-	-	
4034101	40x80-1	10, 20, 30... pcs	1 brace	8.5	28	78	8	-	14	61	5.2	-	6	38	20	
4024101	50/60	10, 20, 30... pcs	2 braces	8.5	44	58	8	-	14	41	5.2	-	6	-	18	
4124101	F-60x60	10, 20, 30... pcs	2 braces	8.5	48	58	8	20	14	40	5.2	-	6	-	17	

**Fixing sets**
**Fixing sets:**

The angle brackets can be screwed to the profile with the fixing sets.

**Material:** Galvanised steel

Further slot stone types can be found on page 84 - 93



Fixing set with slot stone -N- (slot stone is slid into the slot from the side)



Fixing set with slot stone -K- (slot stone can be inserted edge-first into the slot retrospectively)



Fixing set with slot stone -R- (slot stone can be inserted into the slot retrospectively and twisted into position)

Code No.	Type	lot sizes	Version
<b>Fixing sets</b>			
4004110	30	10, 20, 30... pcs	M6x12, slot stone -N-
4026208	40	10, 20, 30... pcs	M8x16, slot stone -N-
4026202	50-80 + 40x80x160	10, 20, 30... pcs	M8x18, slot stone -N-
4694110	100-160 (except 40x80x160)	10, 20, 30... pcs	M8x22, slot stone -N-
4004111	30	10, 20, 30... pcs	M6x12, slot stone -K-
4014111	40	10, 20, 30... pcs	M8x16, slot stone -K-
4024111	50-80 + 40x80x160	10, 20, 30... pcs	M8x18, slot stone -K-
4694111	100-160 (except 40x80x160)	10, 20, 30... pcs	M8x22, slot stone -K-
4004112	30	10, 20, 30... pcs	M6x12, slot stone -R-
4026209	40	10, 20, 30... pcs	M8x16, slot stone -R-
4026210	50-80 + 40x80x160	10, 20, 30... pcs	M8x18, slot stone -R-
4694112	100-160 (except 40x80x160)	10, 20, 30... pcs	M8x22, slot stone -R-

## Structural profiles

# Right-angle connections

### Angle bracket -sheet steel-

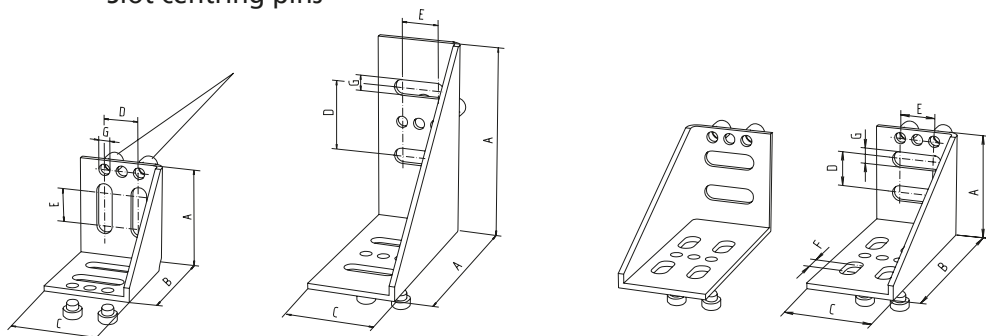


**Steel angle bracket: St 37, 3 mm thick**

**Material:**  
Powder-coated steel

**Includes:**  
Complete with slot centring pins

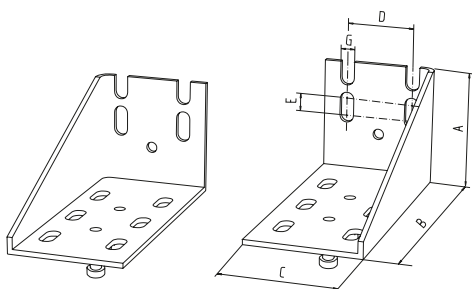
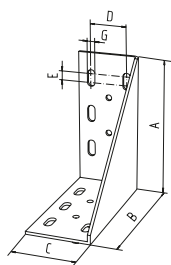
#### Slot centring pins



Steel angle bracket 60

Steel angle bracket 60x120, 1 brace left or right

Steel angle bracket 60 / 60x120



Steel angle bracket 80 / 80x160

Steel angle bracket 80x160, 1 brace left or right

											[mm]
Code No.	Type	Version	A	B	C	D	E	F	G	H	R
<b>Steel angle bracket -3 mm sheet steel-</b>											
4120101	60	1 brace	58	58	48	20	20	-	9	-	-
4060101	60/60x120	1 brace	108	108	48	20	20	-	9	-	-
4060102	60x120	1 brace right	58	108	48	40	20	10	9	-	-
4060103	60x120	1 brace left	58	108	48	40	20	10	9	-	-
4070101	80/80x160	1 brace	148	148	68	40	10	-	9	-	-
4070102	80x160	1 brace right	68	148	68	40	10	-	9	-	-
4070103	80x160	1 brace left	68	148	68	40	10	-	9	-	-



**Order instruction:**

- Purchase only in lot sizes and a multiple of that see product table below

**Fixing sets**


Fixing set with slot stone -N- (slot stone is slid into the slot from the side)

Further slot stone types can be found on page 67 - 65

**Includes:** 1 screw with washer and slot stone.



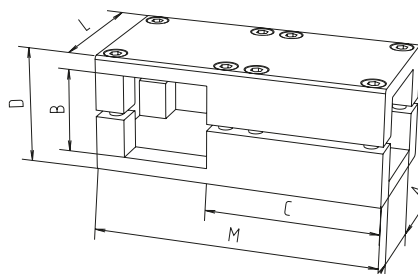
Fixing set with slot stone -R- (slot stone can be inserted into the slot retrospectively and twisted into position)

Code No.	Type	lot sizes	Version
<b>Fixing sets</b>			
4120110	all steel angle brackets	10, 20, 30... pcs	M8x14, slot stone -N-
4120112	all steel angle brackets	10, 20, 30... pcs	M8x14, slot stone -R-

**Corner clamp WV**

**Material:** Aluminium, stainless steel fixing.

For further clamping elements, please refer to the catalogue "Connecting Technology"



Code No.	Type	Version	A	B	C	D	L	M
513000050300	WV 30	30.2	30.2	30.2	69	42	56	112
514000050300	WV 40	40.3	40.3	40.3	82	56	68	136
515000050300	WV 50	50.4	50.4	50.4	102	70	85	170
516000050300	WV 60	60.4	60.4	60.4	127	79	105	210

[mm]

# Cross connections

## Versions



Keyed clamp connector -Q-



Mitre joint -transversal-



Cross connector  
-swiveling-



Cross clamp KV



# Table of contents

## Connection techniques

### Cross connections

Keyed clamp connector -Q- .....	p. 68
Mitre joint -transversal- .....	p. 68
Cross connector -swiveling- .....	p. 69
Cross clamp KV .....	p. 69

## Structural profiles

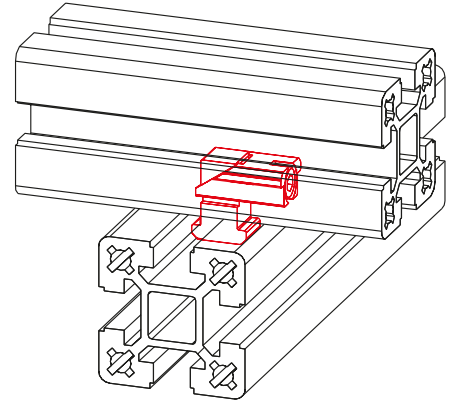
# Cross connections

### Keyed clamp connector -Q-



- Simple realisation of cross connections by bracing the profiles
- No profile machining necessary

**Material:** Galvanised steel  
**Includes:** Complete fixing set for one connection



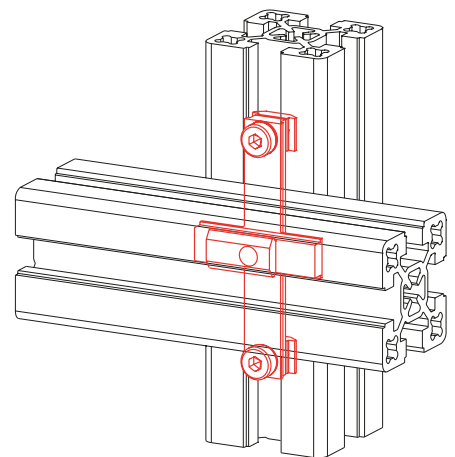
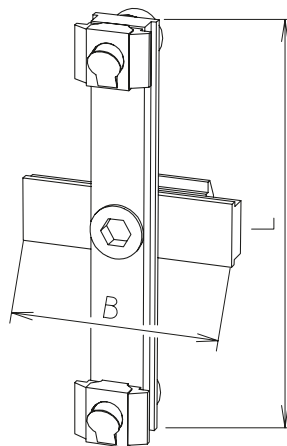
Code No.	Type
4016521	40 slot geometry

### Mitre joint -transversal-

- For connecting crossing profiles
- For retrofitting in structures
- Profile alignment not necessary

**Includes:** Complete fixing set for one connection

**Material:** Galvanised steel



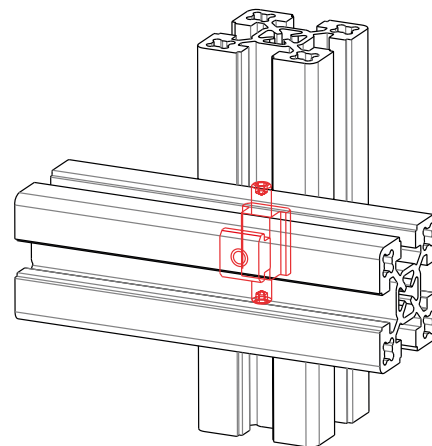
Code No.	Type	B	L	Version
4026502	60/80	40	102	With slot stone -F-
4026512	60/80	40	102	With slot stone -L-
4016502	40/50	40	78	With slot stone -F-
4016512	40/50	40	78	With slot stone -L-

### Cross connector -swiveling-



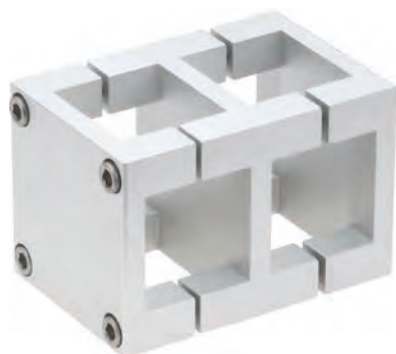
- For connection of crossing profiles
- 360° swiveling
- Fixation in all positions

**Material:** Galvanised steel  
**Includes:** Complete fixing set for 1/10 connections

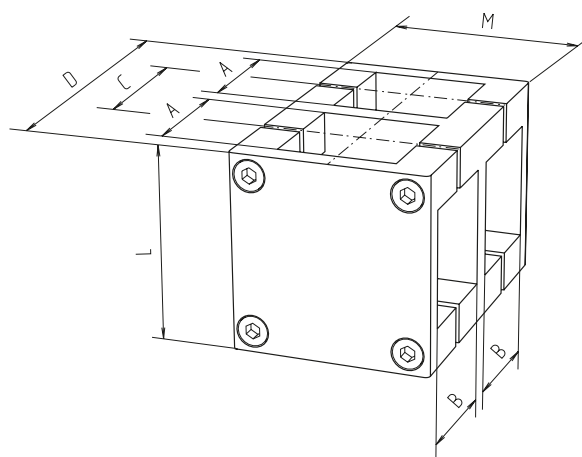


Code No.	Type
4016584	40 slot geometry

### Cross clamp KV



**Material:** Aluminium.  
Stainless steel fixing  
For further clamping elements,  
please refer to the catalogue  
"Connecting Technology"



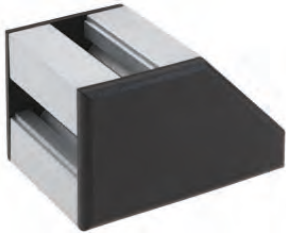
Code No.	Type	A	B	C	D	L	M
503000050300	KV 30	30.2	30.2	36	78	56	56
504000050300	KV 40	40.3	40.3	48	104	68	68
505000050300	KV 50	50.4	50.4	60	130	85	85
506000050300	KV 60	60.4	60.4	72	169	105	105

[mm]

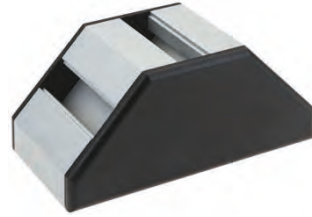
Structural profiles

# Angle connections

Versions



Frame joint 2x40



Frame joint 3x40



Profile joint -E-



Profile joint



Double profile joint



Mitre joint -W1-



Mitre joint -W2-



Steel swivel



## Table of contents

### Connection techniques

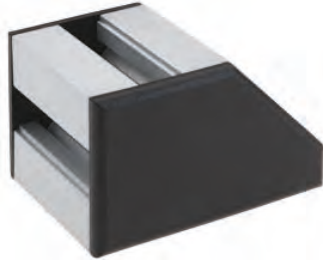
#### Angle connections

Frame joint 2x40 .....	p. 72
Frame joint 3x40 .....	p. 72
Profile joint -E- .....	p. 73
Profile joint.....	p. 74
Double profile joint .....	p. 74
Mitre joint -W1-.....	p. 75
Mitre joint -W2-.....	p. 75
Steel swivel .....	p. 76

**Structural profiles**

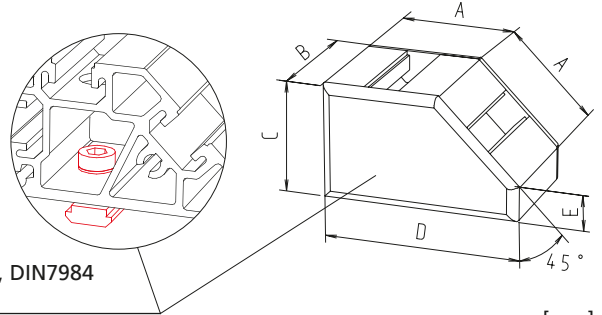
# Angle connections

## Frame joint 2x40



- Frame joint with 2 connecting options 40x40 and/or 40x80, each set at 45°.
- Complete with fixing set.

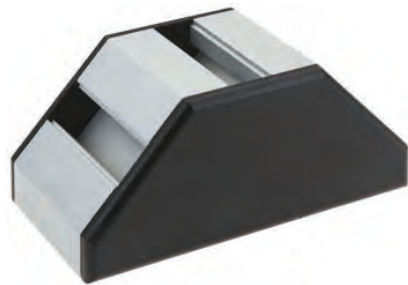
**Material:** Aluminium.  
Plastic cover plates  
Cut to required length.



Fixing set:  
Socket head cap screw, M6x12, DIN7984  
Lock washer, slot stone -N-

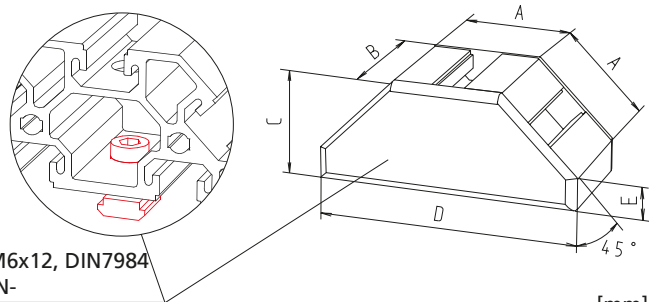
Code No.	Type	A	B	C	D	E
4155650	40	40	40	40	68	11.8
4155651	40x80	40	80	40	68	11.8

## Frame joint 3x40



- Frame joint with 3 connecting options 40x40 and/or 40x80, each set at 45°.
- Complete with fixing set.

**Material:** Aluminium.  
Plastic cover plates  
Cut to required length.

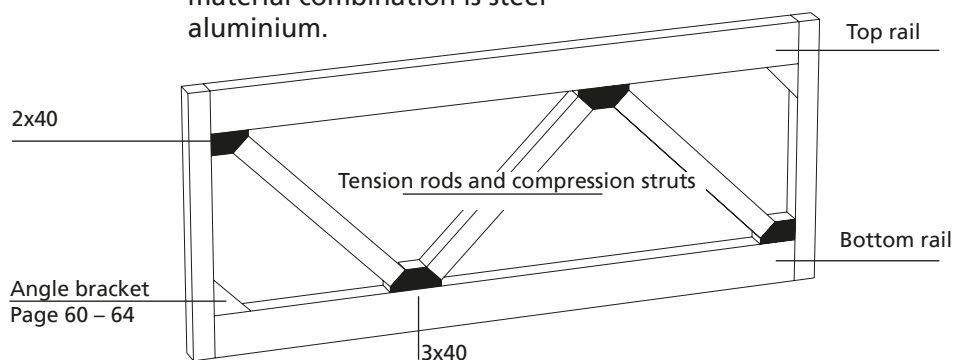


Fixing set:  
Socket head cap screw, M6x12, DIN7984  
Lock washer, slot stone -N-

Code No.	Type	A	B	C	D	E
4255650	40	40	40	40	96.6	11.8
4255651	40x80	40	80	40	96.6	11.8

## Position diagram

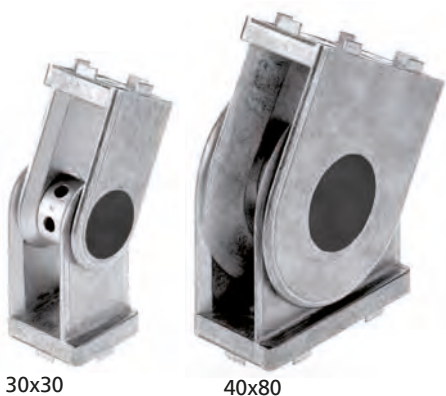
- With unsupported lengths and dynamic alternating stresses, bracing elements should be added because the material combination is steel aluminium.
- Such elements may be angle brackets, bracing plates and cross strut profiles as are typically used in framework.







### Profile joint -E-



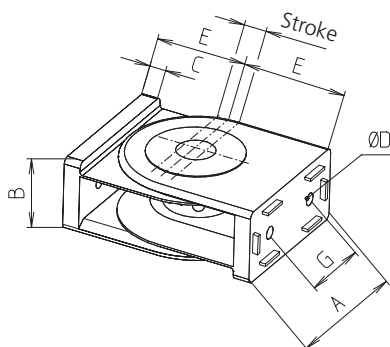
30x30

40x80

- These die-cast joints feature eccentric height compensation.

**Material:** Die-cast zinc joint, galvanised steel eccentric bolt and fastenings

**Includes:** Does not include fixing set (see table)



Code No.	Type	Pivoting range	Stroke	A	B	C	D	E	G
4032550	Joint 30x30	250°	4	30	30	8	6,1	42	0
4000530	Fixing set to 30 slot geometry								
4010530	Fixing set to 40 slot geometry								
4032540	Joint 40x80	180°	4	80	40	9	6,6	52	40
4010521	Fixing set to 40 slot geometry								
4810520	Fixing set on the face of Type 40								

**Attention: discontinued model**

Type 30x30, Code No. 4032550

Type 40x80, Code No. 4032540

Note: One fixing set contains material for connecting one profile.  
For the profile joint 40x80, 2 fixing sets are required per side.

### Profile joint



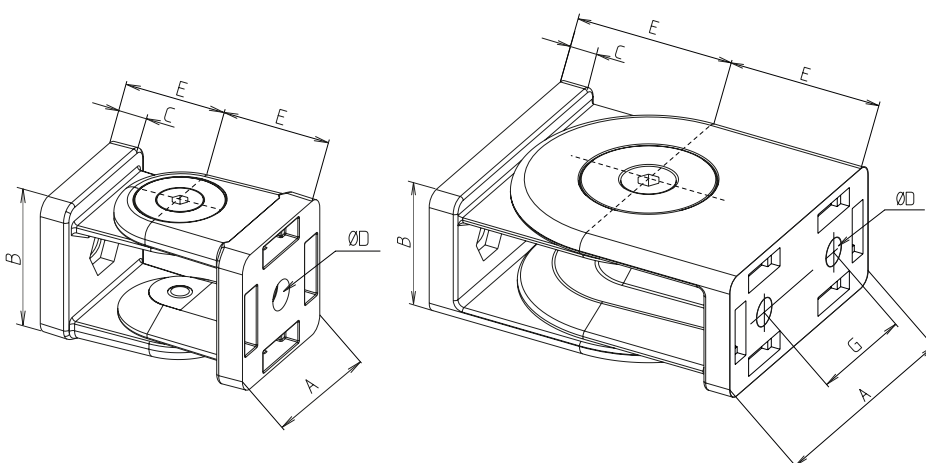
40x40



40x80

**Material:** joint 40x40 die casting zinc, joint 40x80 die-cast Aluminum, fixing material Galvanized steel

**Includes:** centering pieces; does not include fixing set (see table)



Code No.	Type	Pivoting range	A	B	C	D	E	G	
4D32500	Profile joint 40x40	180°	40	40	9	8,5	30	-	
4392500	Profile joint 40x80	180°	80	40	9	8,5	50	40	
4572501	Fixing set to 30 slot geometry								
4D32501	Fixing set to 40 slot geometry								
4D32502	Fixing set front side for F-40x40, F-40x80, F-80x80								

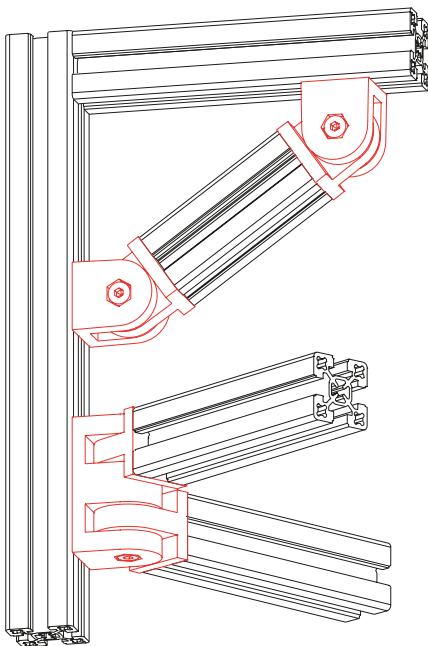
Note: One fixing set contains material for connecting one profile.  
For the profile joint 40x80, 2 fixing sets are required per side.

**Structural profiles**

# Angle connections

## Profile joint

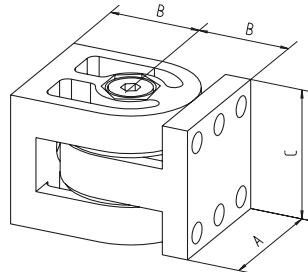
F-40, figure with slot-to-slot fixing set



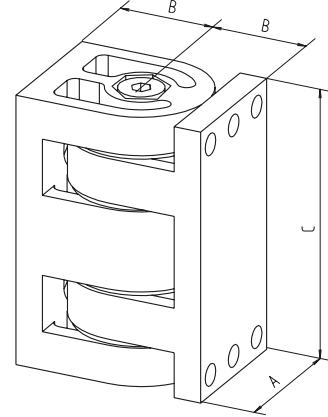
- Depending on the fixing set, the profile joint can be used with the profiles given below
- The joint can be infinitely adjusted through 180°.

**Material:** Aluminium  
Galvanised fastenings  
**Includes:**  
Complete with fixing set (see table)

F-40



F-40x80



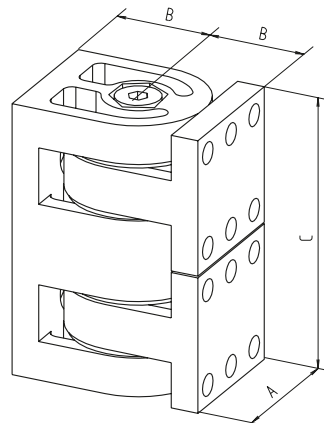
[mm]					
Code No.	Type	Fixing set	A	B	C
4015550	Profile joint F-40	without fixing set	40	28	40
4015551		Face-to-face	40	28	40
4015552		Slot-to-slot	40	28	40
4015553		Face-to-slot	40	28	40
4035550	Profile joint F-40x80	without fixing set	40	28	80
4035551		Face-to-face	40	28	80
4035552		Slot-to-slot	40	28	80
4035553		Face-to-slot	40	28	80

## Double profile joint

F-40x80-2, figure with face-to-slot fixing set



F-40x80-2



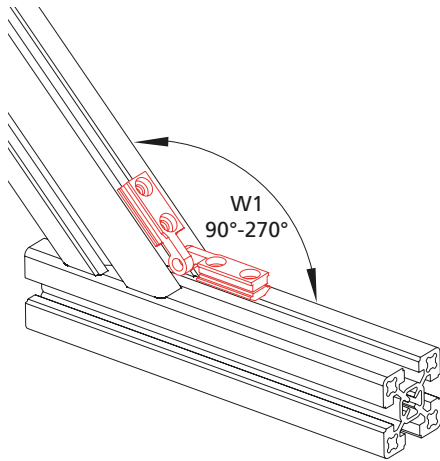
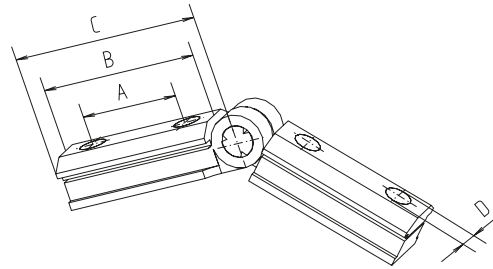
**Material:** Aluminium,  
galvanised fastenings  
**Includes:**  
Complete with fixing set (see table)

[mm]					
Code No.	Type	Fixing set	A	B	C
4035555	Double profile joint F-40x80-2	without fixing set	40	28	80
4035556		Face-to-face	40	28	80
4035557		Slot-to-slot	40	28	80
4035558		Face-to-slot	40	28	80

### Mitre joint -W1-

- Connects profiles at any angle
- No alignment necessary

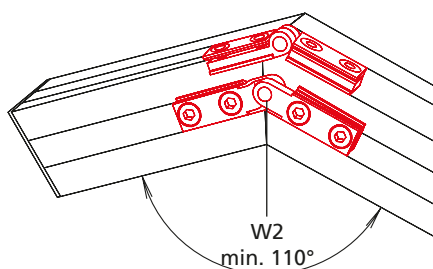
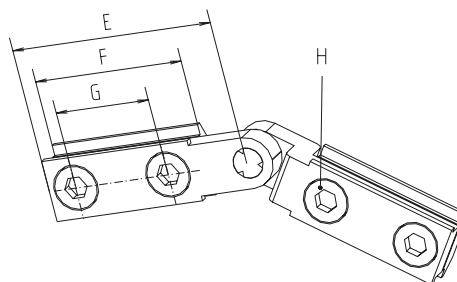
**Material:** Galvanised steel  
**Includes:** Complete fixing set for one mitre joint -W-



							[mm]
Code No.	Type	Slot geometry	A	B	C	D	
4016506	W-1	30	19	30	41	M4	
4016504	W-1	40	19	30	41	M5	

### Mitre joint -W2-

**Material:** Galvanised steel  
**Includes:** Complete fixing set for one mitre joint -W-



							[mm]
Code No.	Type	Slot geometry	E	F	G	H	
4016507	W-2	30	41	30	19	M4	
4016505	W-2	40	41	30	19	M5	

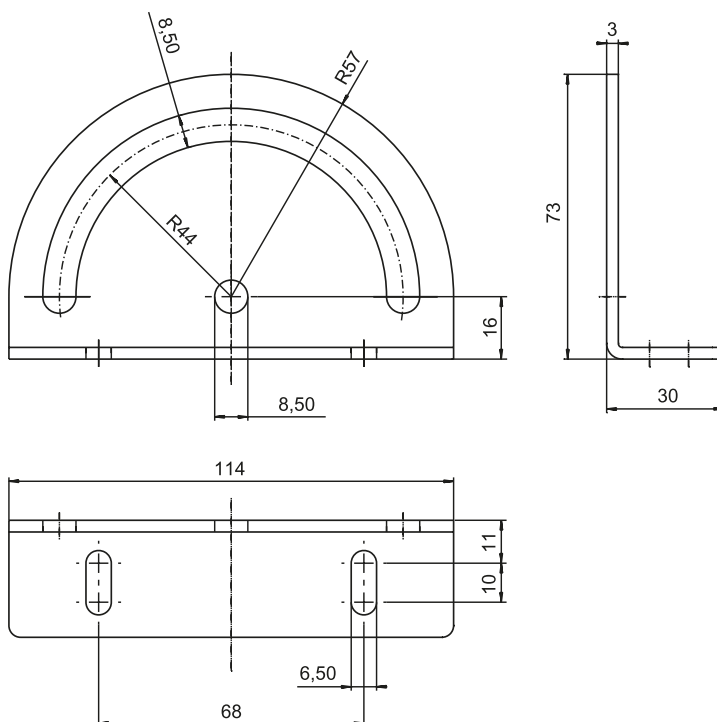
## Structural profiles

# Angle connections

### Steel swivel

- Using steel swivels enables Structural profiles to be adjusted to any angle

**Material:** Galvanised steel  
**Includes:** 1 steel swivel with one complete fixing set for one profile connection.  
 A clamping level can be ordered as an optional extra



[mm]

Code No.	Type	Slot geometry
WAC042000144	Steel swivel with screw	40
WAC042000145	Clamping lever	40



Structural profiles

# Face-to-face and parallel connections

## Versions



Mitre joint -L-



Connecting plate



Keyed clamp connector -P-



Connection element -plastic-



Connection element -aluminium-



Connection element -S-



## Table of contents

<b>Connection techniques</b>	
<b>Face-to-face and parallel connections</b>	
Mitre joint -L- .....	p. 80
Keyed clamp connector -P- .....	p. 80
Connecting plate .....	p. 81
Connection element -plastic- .....	p. 82
Connection element -aluminium- .....	p. 82
Connection element -S- .....	p. 83

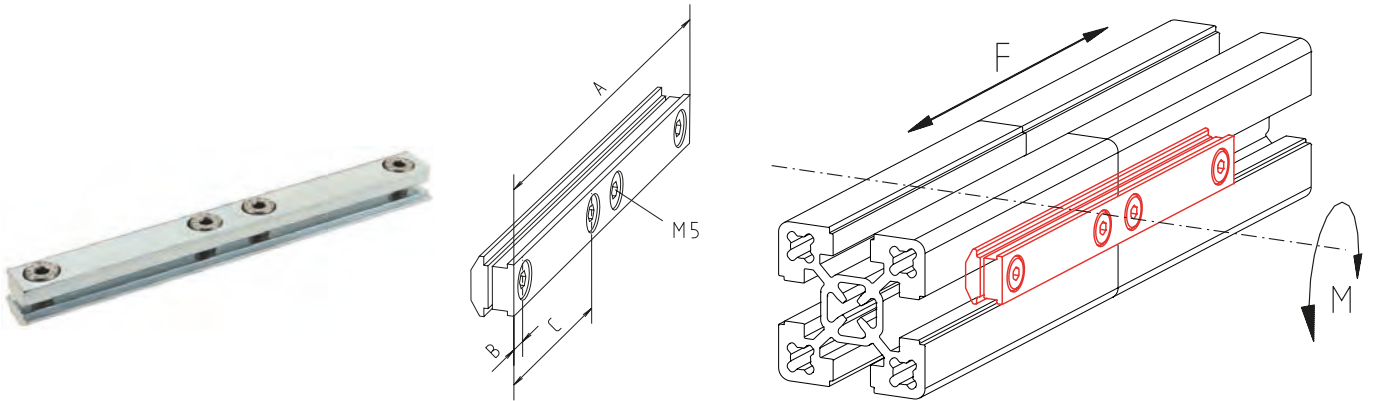
**Structural profiles**

**Face-to-face and parallel connections**

**Mitre joint -L-**

- For face-to-face connections and for extending profiles
- Flush profile finish
- Automatic centring

**Material:** Galvanised steel  
**Includes:** Complete fixing set for one connection



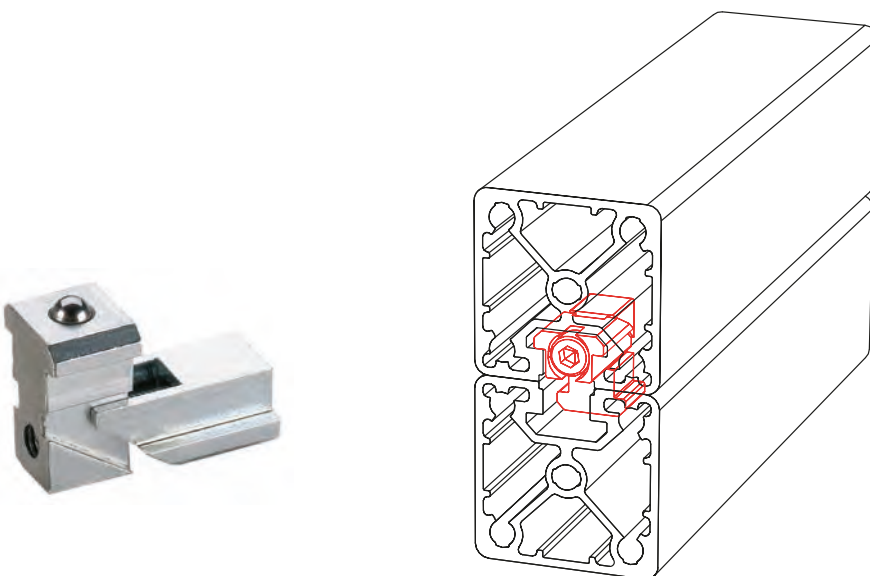
Code No.	Type	To slot geometry	A	B	C
4006503	L30	30	120	7	52
4016503	L40	40	120	7	52

[mm]

**Keyed clamp connector -P-**

- For parallel flange mounting of profiles
- No mechanical machining necessary.

**Material:** Galvanised steel  
**Includes:** Complete fixing set for one connection



Code No.	Type
4016522	40 slot geometry

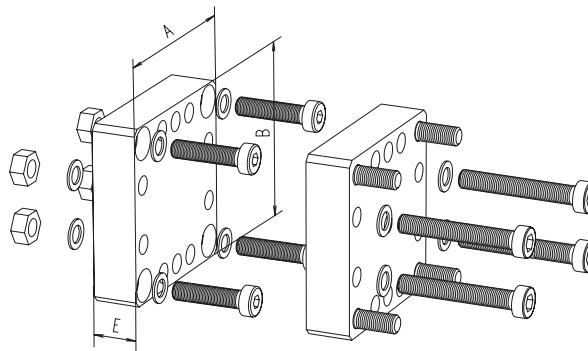
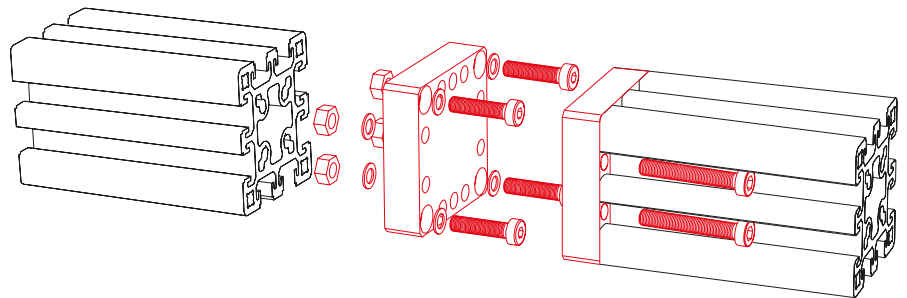


## Connecting plate

- For extending profiles

**Material:** Aluminium, galvanised fastenings

**Includes:** Complete fixing set for one connection



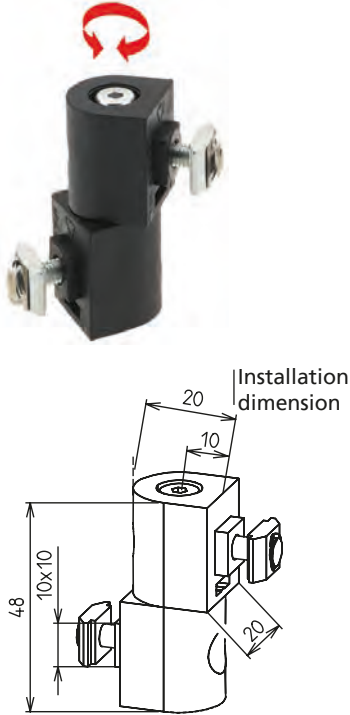
[mm]

Code No.	Type	A	B	E
4005452	30x30	30	30	15
4015452	40x40, 40x40-L	40	40	15
4305451	F-30x60	30	60	15
4315451	F-30x80	30	80	15
4295451	F-30x100	30	100	15
4325451	F-30x120	30	120	15
4335451	F-30x160	30	160	15
4035452	40x80, F-40x80-L, F-40x80/3	40	80	15
4645451	F-40x120	40	120	15
4655451	F-40x160	40	160	15
4085452	F-50x50, F-50x50-L	50	50	15
4665451	F-50x100	50	100	15
4675451	F-50x200	50	200	15
4025452	F-60x60, F-60x60-L, F-60x60/1	60	60	15
4065451	F-60x120	60	120	15
4045452	80x80, F-80x80-L	80	80	15
4685451	F-80x120	80	120	15
4075451	F-80x160, F-80x160-L	80	160	15
4695451	F-100x100	100	100	15
4165451	F-120x120	120	120	15

**Structural profiles**

# Face-to-face and parallel connections

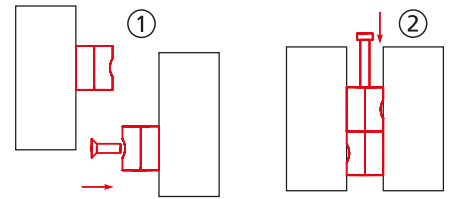
## Connection element with angle compensation -plastic-



- The plastic element allows profiles to be connected in parallel. The profiles may be twisted axially.

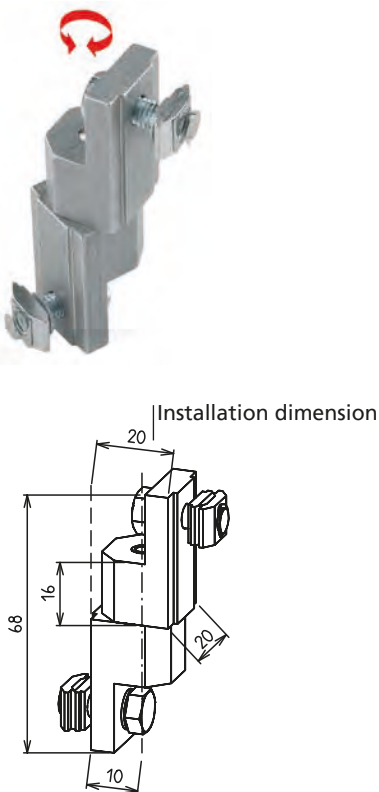
**Material:** Black plastic  
**Includes:** Complete fixing set for one connection.  
 Galvanised fastenings.

- Assembly:
1. The individual halves are positioned on the profiles and fastened.
  2. Then the two halves of the element are connected with a socket head cap screw.



Code No.	Slot geometry
4008657	30
4018657	40
4008658	30 to 40

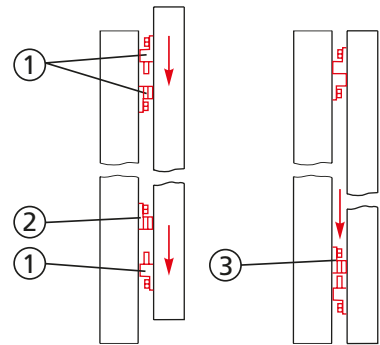
## Connection element with angle compensation -aluminium-



- The advantages over the above plastic version are resistance and easier assembly. In addition, the elements can be height adjusted retrospectively without disassembling the mounted profile frame.

**Material:** Vibration finished aluminium,  
**Includes:** Complete fixing set for one connection.  
 Galvanised fastenings.

- Assembly:
1. First the individual halves of the connection element (no. 1) are assembled. The elements with pin face each other in the centre of the profile. The lower element with hole (no. 2) is slightly tightened so that it can still be moved in the slot.
  2. The profiles/frames to be connected are now mounted in the connection element.
  3. The element still loose in the slot (no.3) is pushed onto the pin and fixed.



Code No.	Slot geometry
4005657	30
4015657	40
4005658	30 to 40

## Connection element -S- (Click & Safe)



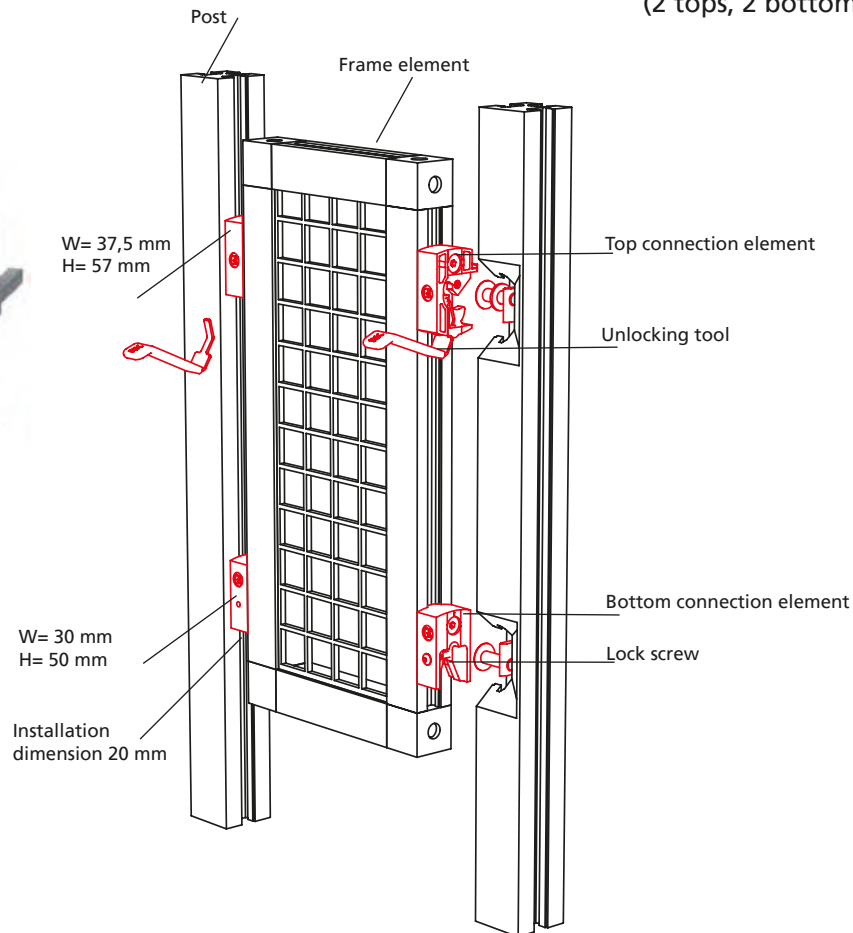
- Operation complies with EU Machinery Directive 2006/42/EC
- Extremely quick and simple assembly without tools and without fastenings
- Angle compensation  $\pm 5$  degrees between post and frame
- Disassembly only possible with a special unlocking tool according to the machinery directive

**Material:** Plastic  
Galvanised fastenings  
**Includes:** Connection elements to take one profile frame (2 tops, 2 bottoms, fastenings)

Connection element



Unlocking tool



Code No.	Type	Slot geometry
4000657	Connection element 30	30
4010657	Connection element 40	40
4000658	Connection element 30-40	30 - 40
4016697	Unlocking tool, set of 2	

### Assembly:

1. Insert frame into the lower holder.
2. Press frame into the holder at the top. The safety guard element automatically engages and locks.

A safety guard element is disassembled with a special unlocking tool according to the machinery directive.



Structural profiles

# Slot stones and screws

## Versions



T-head bolt



Slot stone -F-



Slot stone -N-, -NF-



Slot stone -R-, -RF-



Slot stone -L- II



Slot stone -E-, E-II



Slot stone -K-



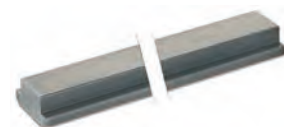
Slot stone -P- version K



Slot stone -PA-



Equipotential bonding cable



Bar material  
slot stone -N-



Suspended sliding block



Screws



# Table of contents

## Accessories

<b>Slot stones and screws</b>	T-head bolt .....	p. 86
	Slot stone -F-.....	p. 86
	Slot stone -N-, -NF- .....	p. 87
	Slot stone -R-, -RF- .....	p. 88
	Slot stone -L-II.....	p. 89
	Slot stone -E-/E-II .....	p. 89
	Slot stone -K- .....	p. 90
	Slot stone -P- version K (equipotential bonding) .....	p. 90
	Slot stone -PA- (equipotential bonding).....	p. 91
	Equipotential bonding cable.....	p. 92
	Bar material slot stone -N-.....	p. 92
	Suspended sliding block .....	p. 94
	Screws .....	p. 95

**Structural profiles**

# Slot stones and screws

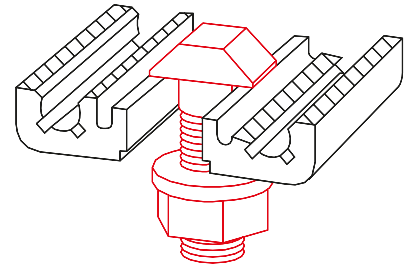
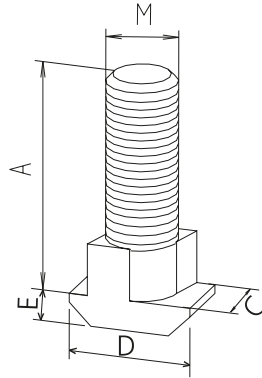
**Order instruction:**

- Purchase only in lot sizes and a multiple of that see product table below

- For fixing mitre joints and angle brackets
- Can be inserted into any position in the profile slot
- The action of tightening turns it into the final clamping position

**Material:** Galvanised steel  
**Includes:** Complete with nut and washer

**T-head bolt**



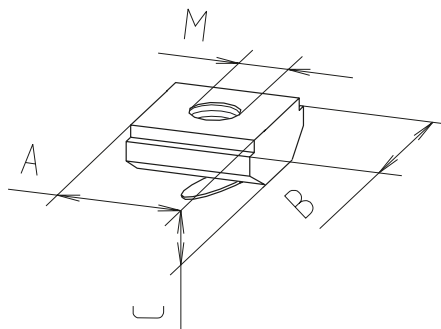
Code No.	Type	lot sizes	Slot geometry	A	C	D	E	M
4016201	M8x25	10, 20, 30... pcs	40	25	9.8	15.5	4	M8

[mm]

**Slot stone -F-**

- Simply slid/inserted edge-first into the profile slot
- Fixed in the desired position by the spring clip

**Material:** Galvanised steel



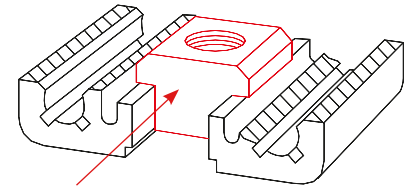
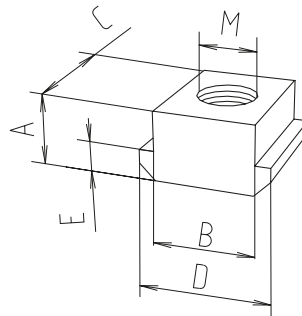
Code No.	Type	lot sizes	Slot geometry	A	B	C	M
4006710	M3	10, 20, 30... pcs	30	10	12	4	M3
4006716	M4	10, 20, 30... pcs	30	10	12	4	M4
4006711	M5	10, 20, 30... pcs	30	10	12	4	M5
4006712	M6	10, 20, 30... pcs	30	10	12	4	M6
4006715	M4	10, 20, 30... pcs	40	10	14	4	M4
4006713	M5	10, 20, 30... pcs	40	10	14	4	M5
4006714	M6	10, 20, 30... pcs	40	10	14	4	M6

[mm]

### Slot stone -N-

- This slot stone slides into the end of the profile slot

**Material:** Galvanised steel



[mm]

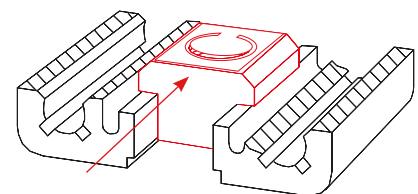
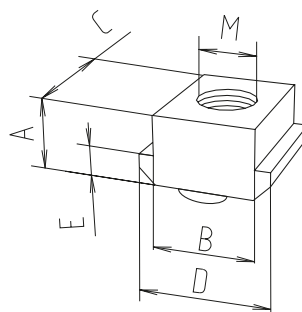
Code No.	Type	lot sizes	Slot geometry	A	B	C	D	E	M
4006201	M5	10, 20, 30... pcs	30	5	10	13	13	3	M5
4006203	M6	10, 20, 30... pcs	30	5	10	13	13	3	M6
4006202	M8	10, 20, 30... pcs	30	5	10	13	13	3	M8
4026207	M5	10, 20, 30... pcs	40	8	10	13	15	4	M5
4026203	M6	10, 20, 30... pcs	40	8	10	13	15	4	M6
40092021	M8*	10, 20, 30... pcs	30	5	10	13	13	3	M8
4026206	M8	10, 20, 30... pcs	40	8	10	13	15	4	M8
4029206	M8*	10, 20, 30... pcs	40	8	10	13	15	4	M8
4026214	M8	10, 20, 30... pcs	40	8	10	28	15	4	M8
4026208	M8	10, 20, 30... pcs	40, with screw M8x16	8	10	13	15	4	M8
4026202	M8	10, 20, 30... pcs	40, with screw M8x18	8	10	13	15	4	M8

\* Stainless steel

### Slot stone -NF-

- This slot stone slides into the end of the profile slot
- The spring clip guarantees fixation in any position/installation position

**Material:** Galvanised steel



[mm]

Code No.	Type	lot sizes	Slot geometry	A	B	C	D	E	M
4016241	M5	10, 20, 30... pcs	40	8	10	13	15	4	M5
4016242	M6	10, 20, 30... pcs	40	8	10	13	15	4	M6
4016243	M8	10, 20, 30... pcs	40	8	10	13	15	4	M8

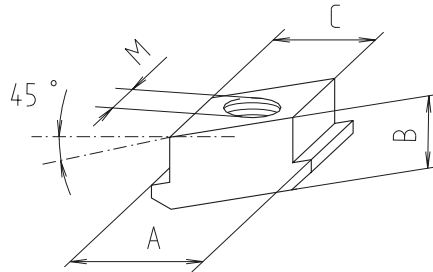
## Structural profiles

# Slot stones and screws

### Order instruction:

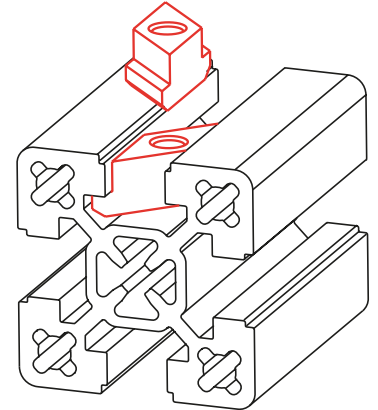
- Purchase only in lot sizes and a multiple of that see product table below

### Slot stone -R-



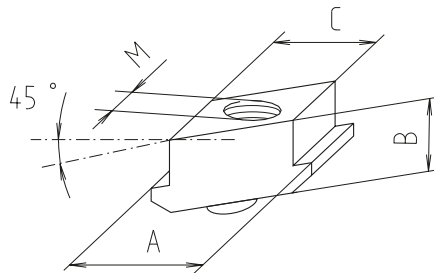
**Material:** Galvanised steel

- Insert anywhere in the slot
- The action of tightening turns it into the final clamping position



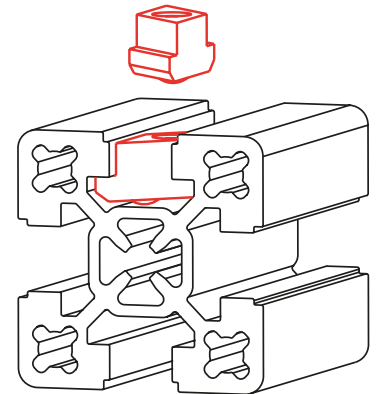
Code No.	Type	lot sizes	Slot geom.	A	B	C	M	[mm]
4006222	M5	10, 20, 30... pcs	30	13	5	10	M5	
4006221	M6	10, 20, 30... pcs	30	13	5	10	M6	
4006223	M8	10, 20, 30... pcs	30	13	5	10	M8	
4026221	M6	10, 20, 30... pcs	40	15	8	10	M6	
4026222	M8	10, 20, 30... pcs	40	15	9	10	M8	

### Slot stone -RF-



**Material:** Galvanised steel

- Rhombic slot stones -RF- can be inserted and twisted into any position in the profile slot
- The spring clip guarantees fixation in any position/installation position



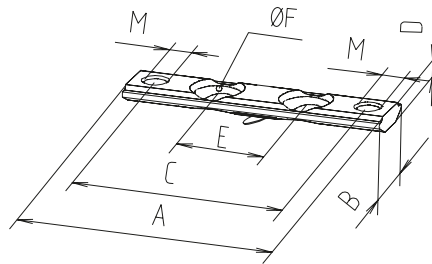
Code No.	Type	lot sizes	Slot geom.	A	B	C	M	[mm]
4006241	M5	10, 20, 30... pcs	30	13	5	10	M5	
4006242	M6	10, 20, 30... pcs	30	13	5	10	M6	
4006243	M8	10, 20, 30... pcs	30	13	5	10	M8	
4016245	M8	10, 20, 30... pcs	40	15	9	10	M8	
4016244	M6	10, 20, 30... pcs	40	15	8	10	M6	



## Slot stone -L- II



Version -L- II



- For fixing flange brackets. The slot stone can be slid/inserted edge-first into the profile slot and fixed in any position with a spring clip.

**Material:** Galvanised steel

[mm]											
Code No.	Type	Version	lot sizes	Slot geom.	A	B	C	D	E	F	M
4006207	M5	-L- II	10, 20, 30... pcs	30	29	12	21.5	4	0*	8.5	M5
4016206	M6	-L- II	10, 20, 30... pcs	40	38	14	28	4	0*	10.2	M6
4016207	M6	-L- II	10, 20, 30... pcs	40	48	14	38	4	15.5	10.2	M6
4016208	M6	-L- II	10, 20, 30... pcs	40	58	14	48	4	20	10.2	M6
4046206	M6	-L- II	10, 20, 30... pcs	40	78	14	68	4	40	10.2	M6

\* Only have one hole

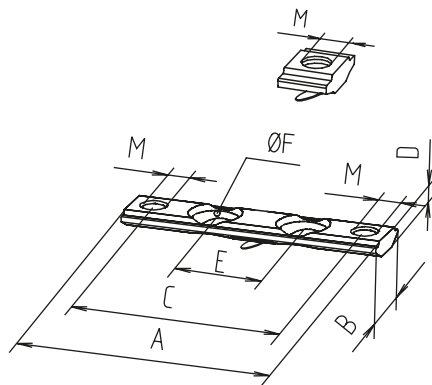
## Slot stone -E- / E-II



Version -E-



Version -E- II



- Slid into the slot from the side
- High load capacity due to large supporting surface
- Fixed in the desired position by the spring clip

**Material:** Galvanised steel

[mm]											
Code No.	Type	Version	lot sizes	Slot geom.	A	B	C	D	E	F	M
4006208	M5	-E-	10, 20, 30... pcs	40	10	16.5	-	4	0*	-	M5
4006209	M6	-E-	10, 20, 30... pcs	40	10	16.5	-	4	0*	-	M6
4006224	M6	-E- II	10, 20, 30... pcs	40	38	16.5	28	3.8	20	10.2	M6
4006239	M6	-E- II	10, 20, 30... pcs	40	58	16.5	48	3.8	20	10.2	M6
4006240	M6	-E- II	10, 20, 30... pcs	40	78	16.5	68	3.8	40	10.2	M6

\* Only have one hole

**Structural profiles**

# Slot stones and screws

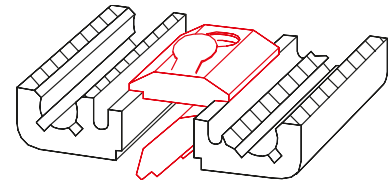
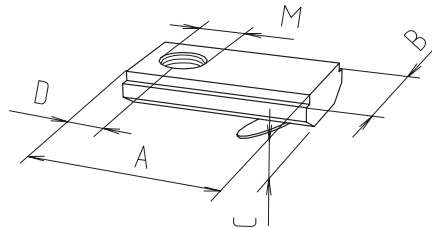
**Order instruction:**

- Purchase only in lot sizes and a multiple of that see product table below

- Simply slid/inserted edge-first into the profile slot

**Material:** Galvanised steel

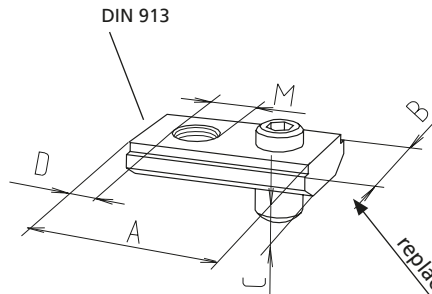
## Slot stone -K-



[mm]

Code No.	Type	lot sizes	Slot geom.	A	B	C	D	M
4006211	M5	10, 20, 30... pcs	30	21	12	4	7	M5
4006212	M6	10, 20, 30... pcs	30	21	12	4	7	M6
4006213	M8	10, 20, 30... pcs	30	21	12	4	7	M8
4016212	M6	10, 20, 30... pcs	40	21	14	4	7	M6
4016213	M8	10, 20, 30... pcs	40	21	14	4	7	M8

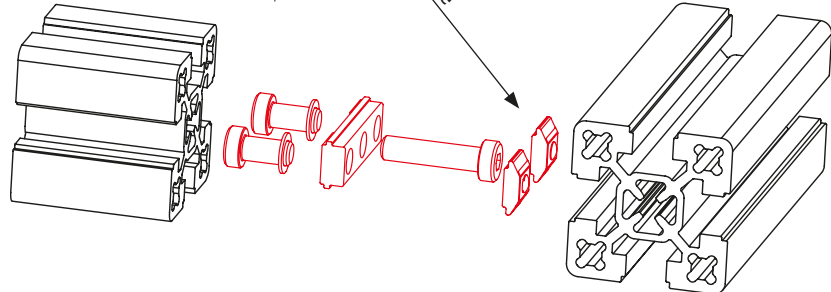
## Slot stone -P- version K



- Creates equipotential bonding between two profiles by damaging the anodised layer

**Material:**

Galvanised steel/stainless steel



[mm]

Code No.	Type	lot sizes	Material	Slot geom.	A	B	C	D	M
4006214	M5	10, 20, 30... pcs	Galvanised steel	All	20	12	4	7	M5
4009214	M5	10, 20, 30... pcs	Stainless steel	All	20	12	4	7	M5
4006216	M6	10, 20, 30... pcs	Galvanised steel	All	20	12	4	7	M6
4009216	M6	10, 20, 30... pcs	Stainless steel	All	20	12	4	7	M6
4006215	M6	10, 20, 30... pcs	Galvanised steel	40	20	14	4	7	M6

**Slot stone -PA-**

- The -PA- slot stones have an equipotential bonding effect by destroying the anodised layer. The slot stones can be used in an assembly kit or be interconnected with bridge pieces.

**Material:** Black galvanised steel


Version PA -N-



Version PA -R-



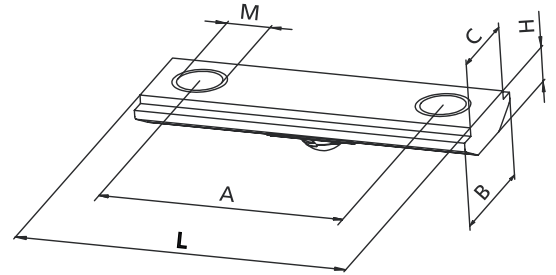
Version PA -F-



Version PA -K-



Version PA -L-



[mm]

Code No.	Type	lot sizes	Slot geom.	A	B	C	H	L	M
<b>Slot stone PA -N-</b>									
4006E01	M5	10, 20, 30... pcs	30	–	13	10	5	13	M5
4006E03	M6	10, 20, 30... pcs	30	–	13	10	5	13	M6
4006E02	M8	10, 20, 30... pcs	30	–	13	10	5	13	M8
4026E07	M5	10, 20, 30... pcs	40	–	15	10	8	13	M5
4026E03	M6	10, 20, 30... pcs	40	–	15	10	8	13	M6
4026E06	M8	10, 20, 30... pcs	40	–	15	10	8	13	M8
<b>Slot stone PA -R-</b>									
4006E22	M5	10, 20, 30... pcs	30	–	13	10	5	29	M5
4006E21	M6	10, 20, 30... pcs	30	–	13	10	5	29	M6
4006E23	M8	10, 20, 30... pcs	30	–	13	10	5	29	M8
4026E21	M6	10, 20, 30... pcs	40	–	15	10	8	31	M6
4026E22	M8	10, 20, 30... pcs	40	–	15	10	9	31	M8
<b>Slot stone PA -F-</b>									
4006E10	M3	10, 20, 30... pcs	30	–	12	10	4	10	M3
4006E16	M4	10, 20, 30... pcs	30	–	12	10	4	10	M4
4006E11	M5	10, 20, 30... pcs	30	–	12	10	4	10	M5
4006E12	M6	10, 20, 30... pcs	30	–	12	10	4	10	M6
4006E15	M4	10, 20, 30... pcs	40	–	14	10	4	10	M4
4006E13	M5	10, 20, 30... pcs	40	–	14	10	4	10	M5
4006E14	M6	10, 20, 30... pcs	40	–	14	10	4	10	M6
<b>Slot stone PA -K-</b>									
4006F11	M5	10, 20, 30... pcs	30	–	12	10	4	21	M5
4006F12	M6	10, 20, 30... pcs	30	–	12	10	4	21	M6
4006F13	M8	10, 20, 30... pcs	30	–	12	10	4	21	M8
4016E12	M6	10, 20, 30... pcs	40	–	14	10	4	21	M6
4016E13	M8	10, 20, 30... pcs	40	–	14	10	4	21	M8
<b>Slot stone PA -L-</b>									
4006E04	M5	10, 20, 30... pcs	30	21.5	12	10	4	29	M5
4016E04	M6	10, 20, 30... pcs	40	28	14	10	4	38	M6
4026E04	M6	10, 20, 30... pcs	40	48	14	10	4	58	M6
4046E04	M6	10, 20, 30... pcs	40	68	14	10	4	78	M6

**Structural profiles**

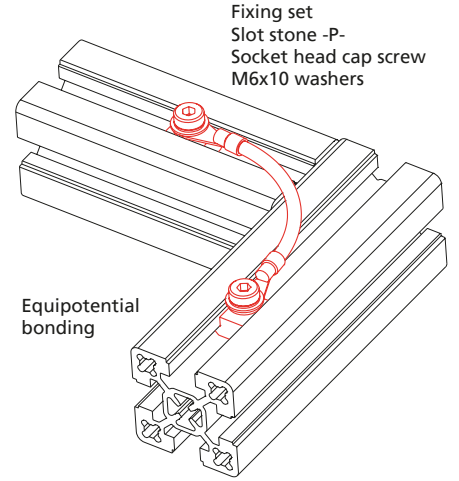
**Slot stones and screws**

**Equipotential bonding cable**

- Equipotential bonding cable 6 mm<sup>2</sup> with cable lug, length 120 mm



- Fixing set Galvanised steel



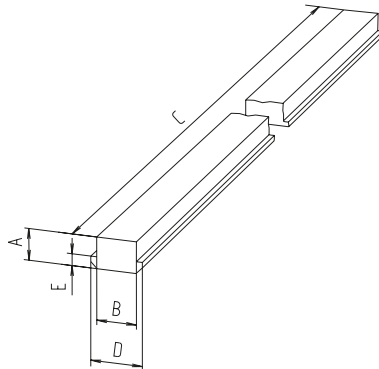
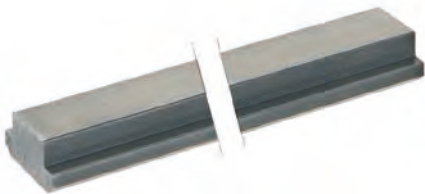
Code No.	Type	Slot geometry
4012590	Equipotential bonding (cable)	40
4012591	Complete fixing set	40

[mm]

**Bar material**

- The bar material allows thread to be cut to length and positioned to suit the application.
- Manufacturing tolerances (dimension C) must be observed
- Machining to customer specification available on request.

**Material:** steel / stainless steel  
Base profile for slot stone -N-



Code No.	Material	Slot geometry	A	B	C	D	E
4006200 3010	Steel	30	5	10	2800 - 3000	13	3
4026200 3010		40	8	10	2800 - 3000	15	4
4009200 5600	Stainless steel	30	4	10	5600 - 6000	14	3
4029200 5600		40	8	10	5600 - 6000	15	4

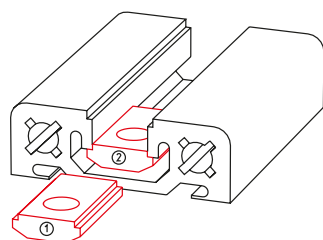
[mm]

**Order instruction:**

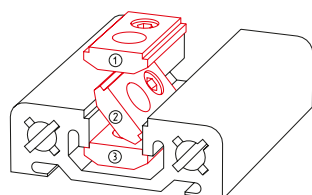
- Purchase only in lot sizes and a multiple of that see product table below

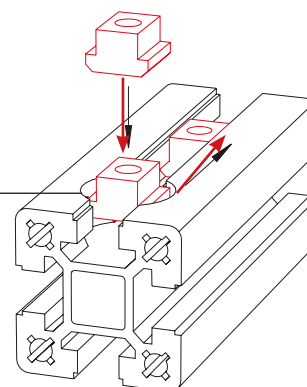
**Use of slot stones (slot stone with spring clip -F- / slot stones -K-, -E- and -L- II)**

Code No.	See page	lot sizes	30 slot geometry		40 slot geometry	
			slide into slot	insert edge-first into slot	slide into slot	insert edge-first into slot
<b>Slot stone -F-</b>						
4006710	86	10, 20, 30... pcs	x	x	x	x
4006716	86	10, 20, 30... pcs	x	x	x	x
4006711	86	10, 20, 30... pcs	x	x	x	x
4006712	86	10, 20, 30... pcs	x	x	x	x
4006715	86	10, 20, 30... pcs	x		x	x
4006713	86	10, 20, 30... pcs	x		x	x
4006714	86	10, 20, 30... pcs	x		x	x
<b>Slot stone -L- II</b>						
4006207	89	10, 20, 30... pcs	x	x	x	x
4016206	89	10, 20, 30... pcs	x		x	x
4016207	89	10, 20, 30... pcs	x		x	x
4016208	89	10, 20, 30... pcs	x		x	x
4046206	89	10, 20, 30... pcs	x		x	x
<b>Slot stone -E- / E-II</b>						
4006208	89	10, 20, 30... pcs			x	
4006209	89	10, 20, 30... pcs			x	
4006224	89	10, 20, 30... pcs			x	
4006239	89	10, 20, 30... pcs			x	
4006240	89	10, 20, 30... pcs			x	
<b>Slot stone -K-</b>						
4006211	90	10, 20, 30... pcs	x	x	x	x
4006212	90	10, 20, 30... pcs	x	x	x	x
4006213	90	10, 20, 30... pcs	x	x	x	x
4016212	90	10, 20, 30... pcs	x		x	x
4016213	90	10, 20, 30... pcs	x		x	x
4006214	90	10, 20, 30... pcs	x	x	x	x
4006215	90	10, 20, 30... pcs	x	x	x	x
4006216	90	10, 20, 30... pcs	x		x	x

**Slide slot stone into slot**


Numbers = Installation sequence

**Insert slot stone edge-first into slot**

 Example of retrospective insertion of an N slot stone in a profile.  
 You will find a suitable drilling fixture on page 484

**Hole**  
 Diameter: 20 mm  
 Depth: 11.5 mm


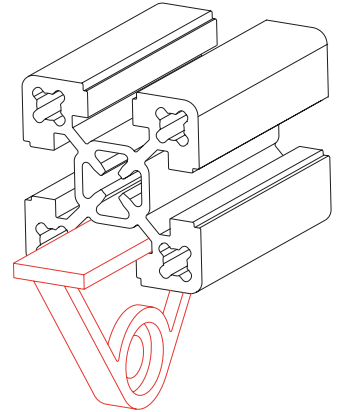
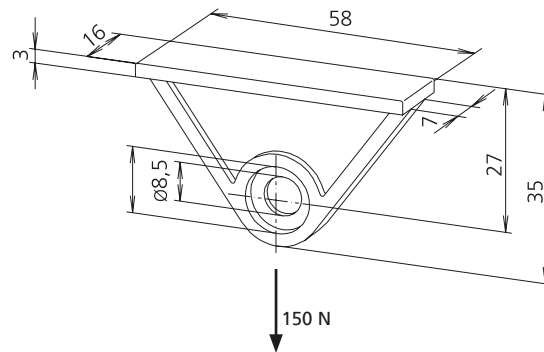
## Structural profiles

# Slot stones and screws

### Suspended sliding block

- To take tools and curtain guards
- Slid into the profile slot from the side.

**Material:** Black plastic



Code No.	Slot geometry
4018200	40

**Order instruction:**

- Purchase only in lot sizes and a multiple of that see product table below

**Material:** Galvanised steel  
**Includes:** 1 unit complete with lock washer

**Screws - DIN 7984**

Code No.	Type	lot sizes	Suitable for
4006234	M5x14	100, 200, 300... pcs	Connecting plate 30
4006235	M5x16	100, 200, 300... pcs	Hidden screw 30
4006238	M5x35	100, 200, 300... pcs	Corner joint clamping profiles 30
4016234	M6x16	100, 200, 300... pcs	Connecting plates as of size 40
4016235	M6x20	100, 200, 300... pcs	Hidden screw size 40
4016240	M6x45	100, 200, 300... pcs	Corner joint clamping profiles 40
4016236	M8x12	100, 200, 300... pcs	Universal
4016238	M8x18	100, 200, 300... pcs	Universal
4016237	M8x30	100, 200, 300... pcs	Universal

**RK expansion screws**

- Used for low dynamic loads
- Tightening torque 10 Nm

**Material:** Galvanised steel  
 Head to DIN 7984



Code No.	Type	lot sizes	Suitable for
4126230	M6x35	10, 20, 30... pcs	40x40 to 80x160 F-profiles

Structural profiles

# Profile covers

## Versions



Cap



End plate



Cover profile -plastic-



Cover profile -aluminium-



Rim



Door gap seal





## Table of contents

<b>Profile covers</b>	Cap .....	p. 98
	End plate .....	p. 100
	Cover profile -plastic-.....	p. 101
	Cover profile -aluminium- .....	p. 101
	Rim .....	p. 102
	Door gap seal .....	p. 102

## Structural profiles

# Profile covers

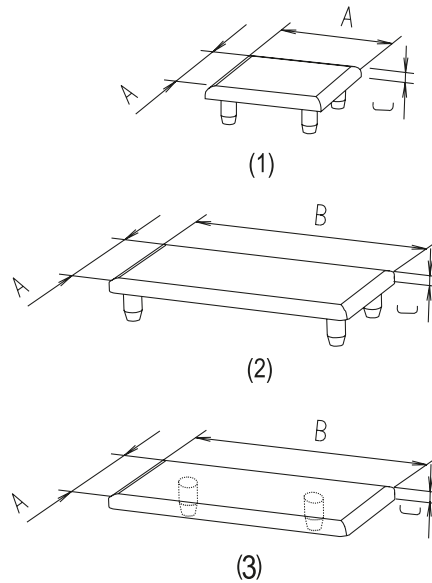
### Order instruction:






- Purchase only in lot sizes and a multiple of that see product table below

### Caps -plastic-



- In addition to the standard black version (see next page), it is possible to order other types in various RAL colours. Other profile types and RAL colours available on request.



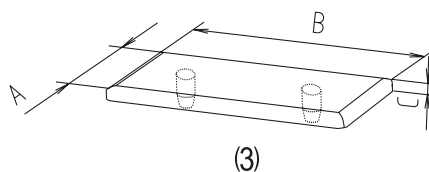
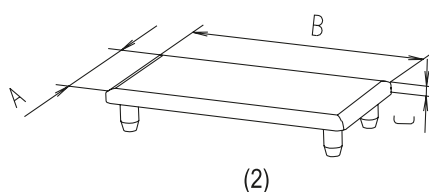
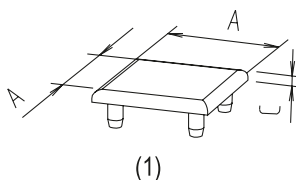
	White RAL 9006
	Grey RAL 7035
	Yellow RAL 1021
	Red RAL 3020
	Blue RAL 5005

Code No.	Type	lot sizes	See figure	A	B	C	D	R	[mm]
<b>Colour plastic cap</b>									
400042_	30x30	10, 20, 30... pcs	1	30	-	3	-	-	
430842_	F-30x60	10, 20, 30... pcs	2	30	60	4	-	-	
401042_	40x40, F-40x40-L	10, 20, 30... pcs	1	40	-	4	-	-	
403042_	40x80, F-40x80-L, F-40x80/3	10, 20, 30... pcs	2	40	80	4	-	-	
408842_	F-50x50, F-50x50-L	10, 20, 30... pcs	1	50	-	4	-	-	
412142_	60x60, F-60x60-L, F-60x60/1	10, 20, 30... pcs	1	60	-	4	-	-	
404042_	80x80, F-80x80-L, F-80x80/2, F-80x80/2-L	10, 20, 30... pcs	1	80	-	4	-	-	

2 = RAL 9006  
 3 = RAL 7035  
 4 = RAL 1021  
 5 = RAL 3020  
 6 = RAL 5005



**Black caps**  
-plastic-



Black RAL 9005

[mm]

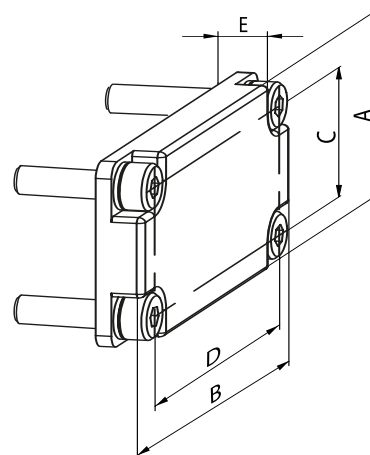
Code No.	Type	lot sizes	See figure	A	B	C	D	R
<b>Black plastic cap</b>								
4000421	30x30	10, 20, 30... pcs	1	30	-	3	-	-
4308421	F-30x60	10, 20, 30... pcs	2	30	60	4	-	-
4318421	F-30x80	10, 20, 30... pcs	2	30	80	4	-	-
4298421	F-30x100	10, 20, 30... pcs	2	30	100	4	-	-
4328421	F-30x120	10, 20, 30... pcs	2	30	120	4	-	-
4338421	F-30x160	10, 20, 30... pcs	2	30	160	4	-	-
4010421	F-40x40-L, 40x40	10, 20, 30... pcs	1	40	-	4	-	-
4030421	40x80, F-40x80-L, F-40x80/3	10, 20, 30... pcs	2	40	80	4	-	-
4648421	F-40x120	10, 20, 30... pcs	2	40	120	4	-	-
4658421	F-40x160	10, 20, 30... pcs	2	40	160	4	-	-
4088421	F-50x50, F-50x50-L	10, 20, 30... pcs	1	50	-	4	-	-
4668421	F-50x100	10, 20, 30... pcs	2	50	100	4	-	-
4678421	F-50x200	10, 20, 30... pcs	2	50	200	4	-	-
4121421	60x60, F-60x60/1, F-60x60-L	10, 20, 30... pcs	1	60	-	4	-	-
4068421	F-60x120	10, 20, 30... pcs	2	60	-	4	-	-
4040421	80x80, F-80x80-L, F-80x80/2, F-80x80/2-L	10, 20, 30... pcs	1	80	-	4	-	-
4688421	F-80x120	10, 20, 30... pcs	2	80	120	4	-	-
4078421	F-80x160, F-80x160-L	10, 20, 30... pcs	2	80	-	4	-	-
4698421	F-100x100	10, 20, 30... pcs	1	100	-	4	-	-
4168421	F-120x120	10, 20, 30... pcs	1	120	-	4	-	-

## Structural profiles

# Profile covers

## End plate

Includes: End plate complete with fixing set



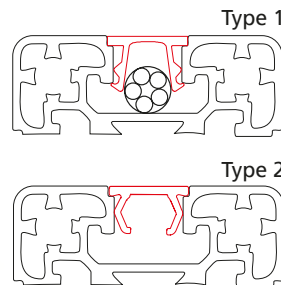
							[mm]
Code No.	Type	A	B	C	D	E	
<b>End plate connection - face to slot</b>							
<b>Die-cast aluminium</b>							
4034451	F-40x80, F-40x80-L, F-40x80/3	40	80	68	68	8	
4084401	F-50x50, F-50x50-L	50	50	38	38	7	
4224401	60x60, F-60x60/1, F-60x60-L	60	60	43	43	7	
<b>Aluminium</b>							
4304401	F-30x60	30	60	–	20	15	
4314401	F-30x80	30	80	–	40	15	
4294401	F-30x100	30	100	–	65,5	15	
4324401	F-30x120	30	120	–	80	15	
4334401	F-30x160	30	160	–	120	15	
4644401	F-40x120	40	120	–	80	15	
4654401	F-40x160	40	160	–	120	15	
4664401	F-50x100	50	100	–	65,5	15	
4674401	F-50x200	50	200	–	165.5	15	
4064401	F-60x120	60	120	48	108	15	
4044401	80x80, F-80x80-L, F-80x80/2, F-80x80/2-L,	80	80	68	68	8	
4684401	F-80x120	80	120	40	80	15	
4074401	F-80x160	80	160	68	148	15	
4694401	F-100x100	100	100	50	65,5	15	
4164401	F-120x120	120	120	80	80	15	

### Cover profile -plastic-

- For the flush covering of longitudinal slots. Two versions are available.

- Due to the geometry of type 1, it is possible to route leads in the slot. Type 2, on the other hand, is easier to take out of the profile slot (without leaving residues).

**Material:** Plastic  
Please note that, for typographical reasons, the colour illustrated here is only an approximation of the RAL colour.  
Further special colours available on request.

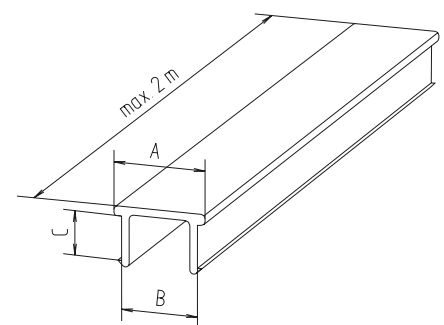
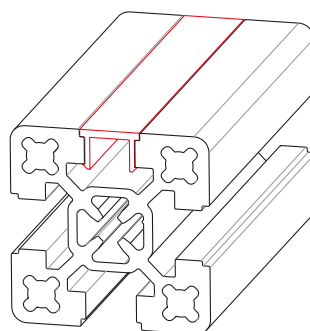


- Black RAL 9005
- White RAL 9006
- Grey RAL 7035
- Yellow RAL 1021
- Red RAL 3020
- Blue RAL 5005

Code No.	Type	Version	Colour	A	B	C
4000570	2	2 m bar	Black	12	11.2	6.4
4000575	2	2 m bar	Grey	12	11.2	6.4
4000577	2	2 m bar	White	12	11.2	6.4
4000579	2	2 m bar	Yellow	12	11.2	6.4
4000581	2	2 m bar	Red	12	11.2	6.4
4000583	2	2 m bar	Blue	12	11.2	6.4
4008570	1	2 m bar	Black	12	11.2	6.4
4000585	1	2 m bar	Yellow	12	11.2	6.4
4000586	1	2 m bar	Transparent	12	11.2	6.4

### Cover profile -aluminium-

**Material:** Aluminium



Code No.	Type	Slot geometry	A	B	C
4005572	Cut to size	30	12	10	2.7
4005570	1	30	12	10	2.7
4015572	Cut to size	40	12	10	5.2
4015570	1	40	12	10	5.2

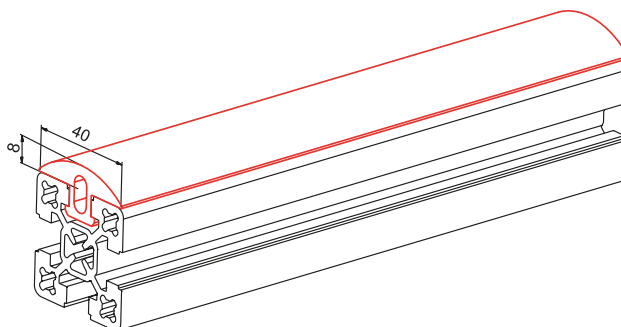
## Structural profiles

# Profile covers

### Rim

- Protects the structure from damage
- Simply pressed into the profile slot

**Material:**  
Synthetic EPDM rubber, black  
**Shore hardness:** 70 Shore

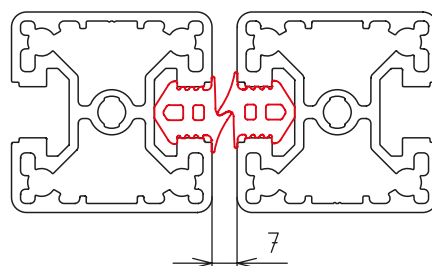


Code No.	Type	Slot geometry
4018594	Rim, 30 m roll	40
401859910000	Rim, 10 m roll	40

### Door gap seal

- Can absorb gap width tolerances
- Acts as a door stop

**Material:** NBR rubber, black  
**Shore hardness:** 55 Shore



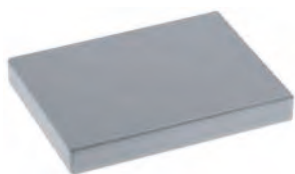
Code No.	Type	Slot geometry
401851810000	Door gap seal, 10 m roll	40
401851850000	Door gap seal, 50 m roll	40
4018518100000	Door gap seal, 100 m roll	40



**Structural profiles**

# Panels and accessories

## Versions



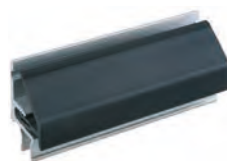
Panels



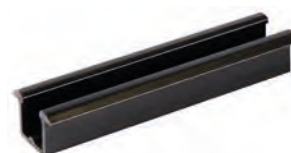
2-piece plastic framing profile



Corner piece



2-piece framing profile



Embedding U-profile



Frame profile  
Corner joint



Profile seal



Block joint -L-



Block joint -G-



Block joint -K-



Vario-Quick  
holding block R



Vario-Quick  
holding block S



Vario-Quick  
holding block L



Vario-Quick  
holding block K/KK



Quick  
cable bracket



Tube clamp



Sliding door profile





## Table of contents

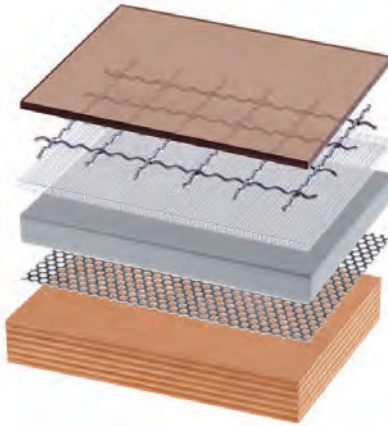
<b>Panels and accessories</b>	Panels ..... p. 106
	2-piece plastic framing profile ..... p. 108
	Corner piece ..... p. 108 + p. 110
	2-piece framing profile ..... p. 110
	Embedding U-profile ..... p. 111
	Frame profile/corner joint ..... p. 112
	Profile seals..... p. 114
	Block joint -L- ..... p. 116
	Block joint -G-..... p. 117
	Block joint -K-..... p. 117
	Vario-Quick holding block R..... p. 118
	Vario-Quick holding block S..... p. 118
	Vario-Quick holding block L..... p. 119
	Vario-Quick holding block K/KK..... p. 121
	Vario-Quick cable bracket..... p. 121
	Tube clamp ..... p. 120
	Sliding door profile ..... p. 122

## Structural profiles

# Panels and accessories

### Panels

- For doors, cladding, safety and table tops. Cut to specification!



Code No.	Type	Thickness	Version	Max. size [mm]	Weight [kg/m <sup>2</sup> ]
4018584	Makrolon	2 mm	Clear	3.050 x 2.050	2.40
4018586	Makrolon	4 mm	Clear	3.050 x 2.050	4.80
4018576	Makrolon	6 mm	Clear	3.050 x 2.050	8.00
4018579	Makrolon	6 mm	Brown tinted	3.050 x 2.050	8.00
4018578	Makrolon	10 mm	Clear	3.050 x 2.050	13.00
4018582	Acrylic glass	4 mm	Clear	3.050 x 2.050	4.80
4018595	Acrylic glass	5 mm	Clear	3.050 x 2.050	6.00
4018563	Acrylic glass	5 mm	Blue, transparent	3.050 x 2.030	6.00
4018575	Acrylic glass	6 mm	Clear	3.050 x 2.050	7.20
4018577	Acrylic glass	10 mm	Clear	3.050 x 2.050	13.00
4012576	Trespa	6 mm	Brown	2.050 x 2.130	8.40
4012586	Trespa	6 mm	Silver-grey	3.050 x 1.530	8.40
4012587	Trespa	10 mm	Silver-grey	3.050 x 1.530	13.00
4018570	Koematex	6 mm	White	3.050 x 2.030	4.20
4018571	Koematex	8 mm	White	3.050 x 2.030	5.60
4018572	Koematex	10 mm	White	3.050 x 2.030	6.00
4012579	Multiplex	30 mm	Untreated	2.500 x 1.500	27.00
4015573	Aluminium	2 mm	Clear anodised	2.000 x 1.000	5.40
4012582	Table top	19 mm	Grey plastic-coated, glued edges	2.000 x 2.075	14.70
4012577	Composite	6 mm	Clear anodised	3.050 x 1.500	7.30
4012511	MDF panel	6 mm	Untreated	2.000 x 2.075	5.00
4012512	MDF panel	8 mm	Untreated	2.000 x 2.075	6.60
4016576	Perforated plate	1 mm	Round holes in staggered rows, galvanised steel	1.000 x 2.000	4.30
4016577	Wire mesh 20x20	2.5 mm	Galvanised steel	2.000 x 1.000	2.40
4016578	Wire mesh 30x30	3 mm	Galvanised steel	2.000 x 3.000	3.70
4016579	Wire mesh 40x40	3.8 mm	Galvanised steel	2.000 x 3.000	4.70

Further versions available on request. For material descriptions, please see next page.



**Makrolon**  
Unbreakable, impact-resistant, weather-resistant, good chemical resistance



**Wire mesh**  
Galvanised steel, cost-effective panel for safety devices



**Acrylic glass**  
Highly transparent, low thickness tolerances, weather-resistant, unbreakable, easy to work with



**Perforated plate**  
Galvanised sheet steel, 5 mm round hole in staggered rows



**Trespa**  
Colourfast, weather-resistant, decorative, impact-, shock- and scratch-resistant, very easy to work with



**Table top**  
Decorative, plastic-coated, glued edges



**Koematex**  
Flame-retardant, thermoformable, low static charging, very easy to work with



**Composite**  
Low-weight, high flexural strength, weather-resistant, very good flatness and smooth surface



**Multiplex panel**  
High load-bearing strength and flexural strength, easy to work with



**MDF panel**  
Easy to work with, cost-effective

## Structural profiles

# Panels and accessories

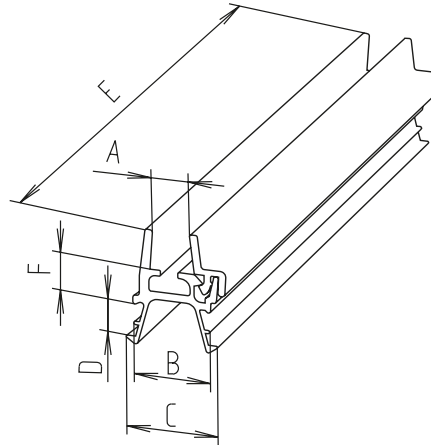
### 2-piece framing profile

- Used for retrofitting panels

**Material:** Black plastic. For a description of assembly, please see page 109

**Profile cut length:** Frame internal dimension -33 mm (if corner pieces are used)

**Panel cut length:** Frame internal dimension -5.5 mm all-round



Note: Note there is another framing profile version on page 110.

[mm]

Code No.	Type	Slot geometry	A	B	C	D	E	F
4018556	Bar	30 + 40	4	11.8	14.2	5	2000	4
4018558	Bar	30 + 40	5	11.8	14.2	5	2000	4
4018560	Bar	30 + 40	6	11.8	14.2	5	2000	4

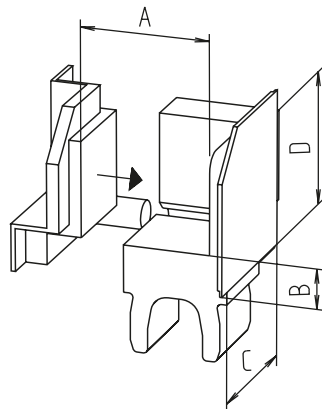
### Order instruction:

- Purchase only in lot sizes and a multiple of that see product table below

**Material:** Black plastic

**Assembly description:** See page 109

### Corner piece

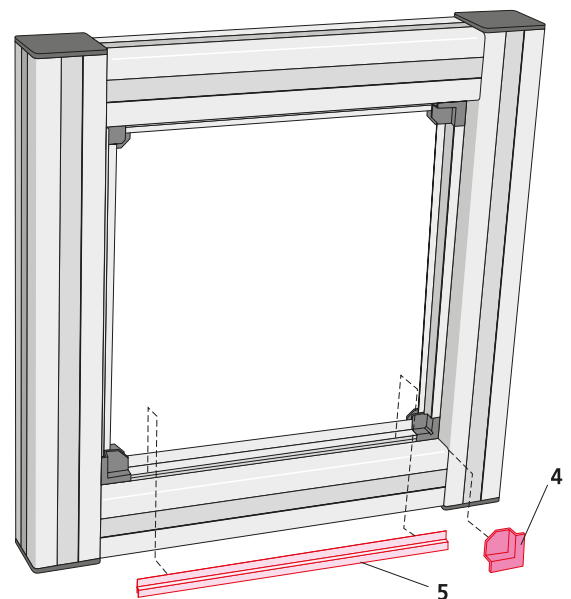
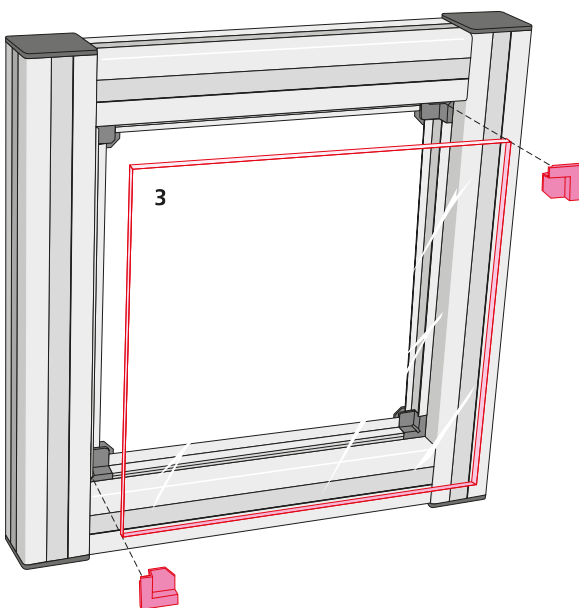
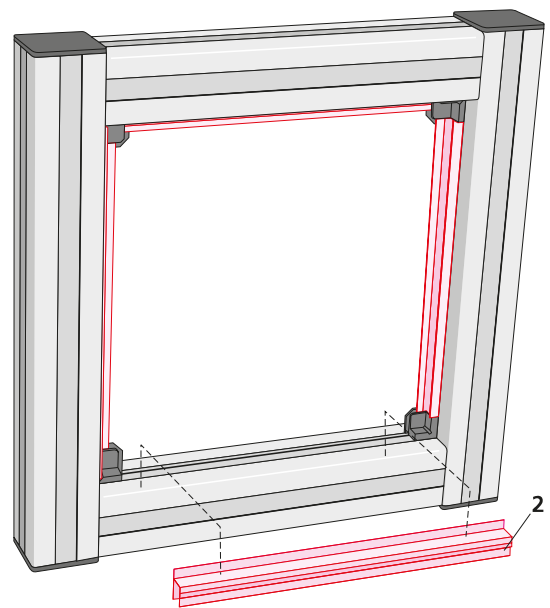
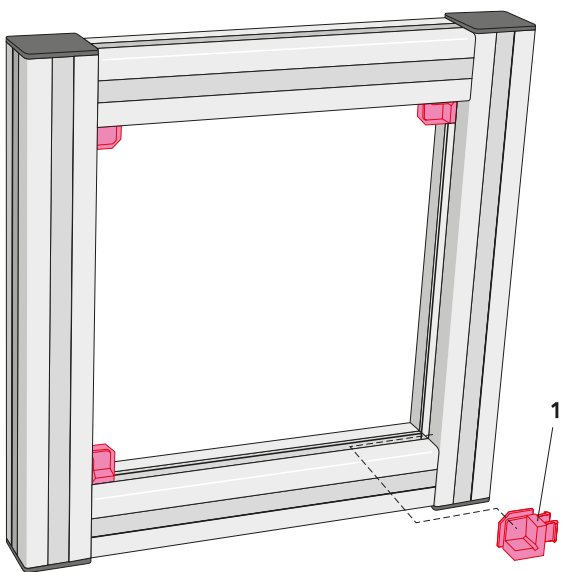


[mm]

Code No.	lot sizes	A	B	C	D
40185651	4, 8, 12... pcs	4 - 6	4	17	17

**Assembly description:**

1. Insert the corner piece base unit (1) into each corner.
  2. Cut framing profile (2) and press it into the profile slots.
  3. Insert panel (3) and fix with 2 corner piece covers (4) in diagonally opposite corners.
  4. Press in the cover strip of the framing profiles.
  5. Press in the remaining corner piece covers.
- All components can be undone if necessary, so that damaged panels or panes can be replaced without difficulty.



**Structural profiles**

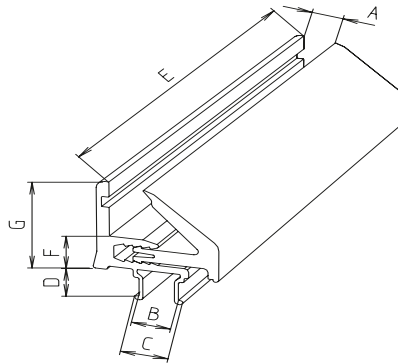
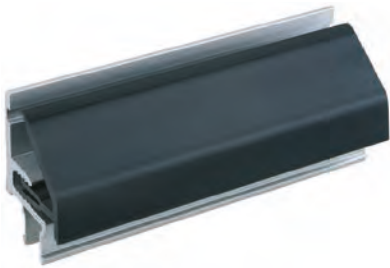
**Panels and accessories**

**Order instruction:**

- Purchase only in lot sizes and a multiple of that see product table below

- Used for retrofitting panels
- The aluminium bottom is designed to take panel thicknesses of 4, 6, 8 or 10 mm. A plastic top serves as a sealing strip and protects against dust and splashes.

**Material:** Aluminium profile bottom, black plastic profile top (with soft PVC on the sealing strips)  
**Profile cut length:** Frame internal dimension -56 mm (if corner pieces are used)  
**Panel cut length:** Frame internal dimension -11.5 mm all-round  
**Assembly description:** See page 109



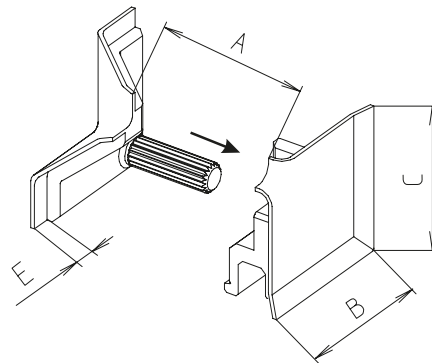
[mm]									
Code No.	Type	Slot geometry	A	B	C	D	E <sub>Max</sub>	F	G
4010571	Cut to size	40	4,6,8,10	9.2	11.4	6.8	2000	10	26
4010572	Bar	40	4,6,8,10	9.2	11.4	6.8	2000	10	26

**Order instruction:**

- Purchase only in lot sizes and a multiple of that see product table below

**Material:** Black plastic  
**Assembly description:** See page 109

**Corner piece**

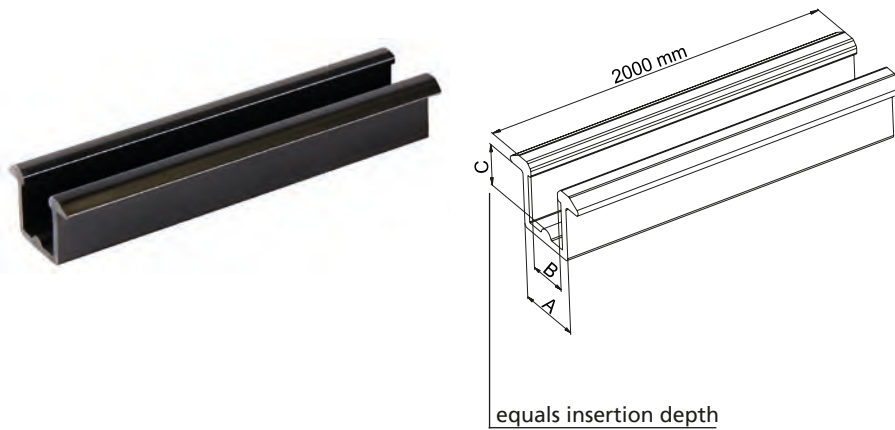


[mm]						
Code No.	lot sizes	Slot geometry	A	B	C	E
40185661	4, 8, 12... pcs	40	4-10	31	31	5

## Embedding U-profile

- Panels with a thickness of 6 mm can be embedded in the slots with the plastic profile
- The embedding U-profiles are slid into the slot before assembly

**Material:** Black plastic  
**Panel cut length:**  
 Frame internal dimension +6 mm all-round.



[mm]					
Code No.	Type	Slot geometry	A	B	C
4010575	Bar	30 + 40	10	6	6



## Structural profiles

# Panels and accessories

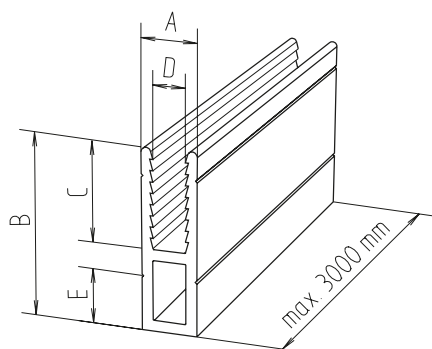
### Frame profile

- Takes wire meshes (up to 30x30x3) and panels

**Material:** Aluminium

**Panel cut length:**

Frame internal dimension -7 mm with 30 slot geometry -10 mm, (page 26) all-round, for fixing in the slot.



Code No.	Type	A	B	C	D	E
4015562	Cut to size	10	33	18	5.8	10
4015560	3 m bar	10	33	18	5.8	10

[mm]

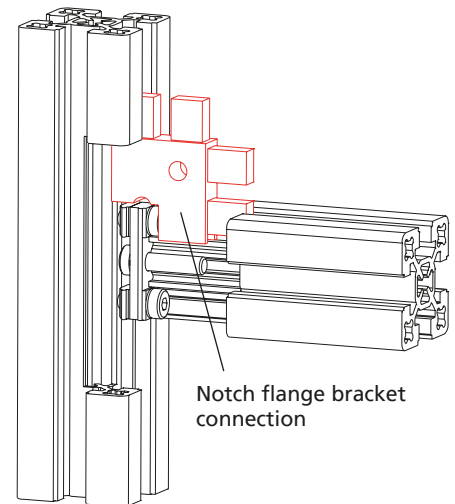
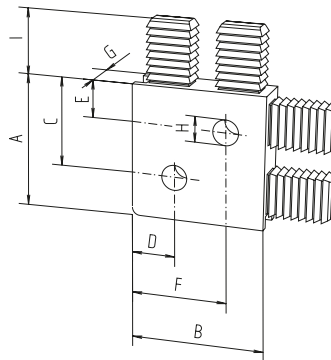
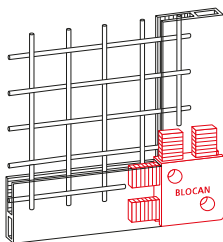
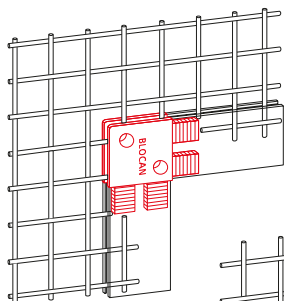


**Order instruction:**

- Purchase only in lot sizes and a multiple of that see product table below

**Frame corner joint**

- Connection element for the frame profile

**Material:** Black plastic


Code No.	lot sizes	A	B	C	D	E	F	G	H	I
4010565	4, 8, 12... pcs	34	34	23	11	10	24	10	6.5	15
4000566	–	With notch for 30 slot geomtry (see diagram above)								
4010566	–	With notch for 40 slot geomtry (see diagram above)								

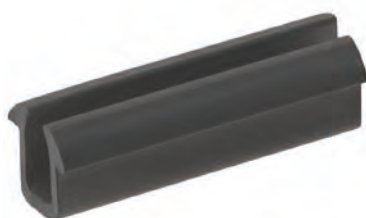
[mm]

## Structural profiles

# Panels and accessories

### Profile seal

Version for 2-sided sealing



**Assembly:** Ideally, the seal is first laid around the panel and then placed into the profile slot.

**Material:** SBR, 60 Sh, black

**Panel cut length:**

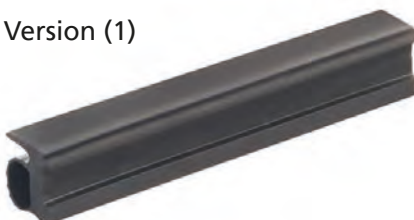
Frame internal dimension +6 mm all-round.

Code No.	Sealing	Slot geometry	Length
401851510000	2-sided	40	10 m
401851560000			60 m

Version for 1-sided or 2-sided sealing



Version (1)



Version (2)

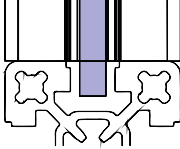

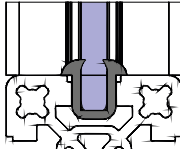

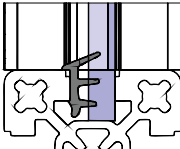

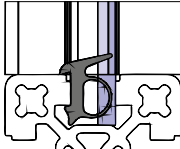

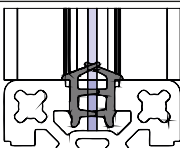


**Assembly:** Insert the panel into the profile slot. Then press the profile seal into the slot by hand or using a blunt object.

**Material:** Black EPDM

Code No.	See figure	Sealing	Slot geometry	Length
4018513010000	1	1-sided	40	10 m
4018513050000				50 m
4018513150000				150 m
401851410000	2	1-sided + 2-sided	40	10 m
401851450000				50 m
4018514100000				100 m

**Profile seals for panel elements**  
**Mounting options**

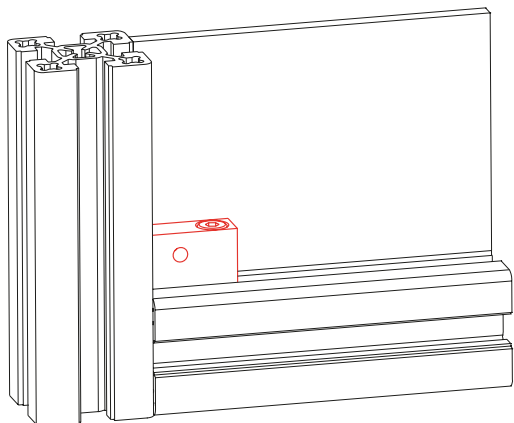
Profile	Versions	Panel thickness [mm]						Seal	Exsample	Code No.	
		10	6	5	4	3	2				
<b>Slot geometry 40</b>	without seal	X						-		-	
	Profile seal 2-sided for panel thickness 5 - 6 mm		X	X						401851510000 401851560000	
	(See figure 2) Profile seal 1-sided for panel thickness 4 - 6 mm		X	X	X					401851410000 401851450000 4018514100000	
	(See figure 1) Profile seal 1-sided for panel thickness 2-4 mm					X	X	X			4018513010000 4018513050000 40185130100000
	(See figure 2) Profile seal 1-sided for panel thickness 2 mm mounted on both sides							X			2 x 401851410000 2 x 401851450000 2 x 4018514100000

## Structural profiles

# Panels and accessories

### Block joint

- For fixing panels to profiles



#### Order instruction:

- Purchase only in lot sizes and a multiple of that see product table below

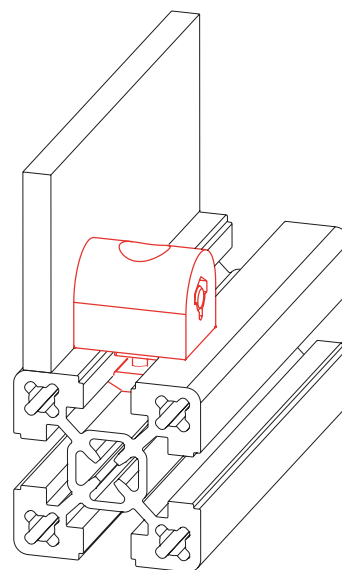
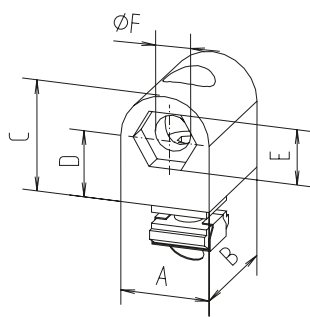
#### Material:

Black plastic, galvanised steel parts

#### Includes:

Complete fixing set for profile assembly.

### Block joint -L-



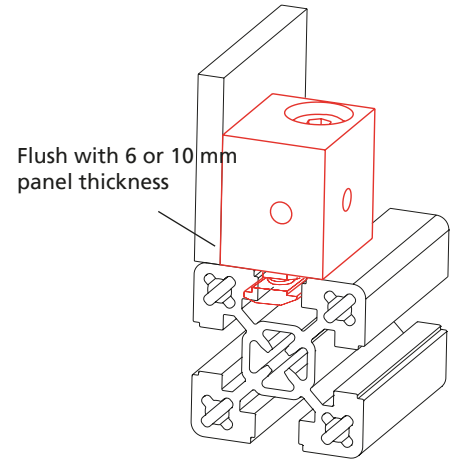
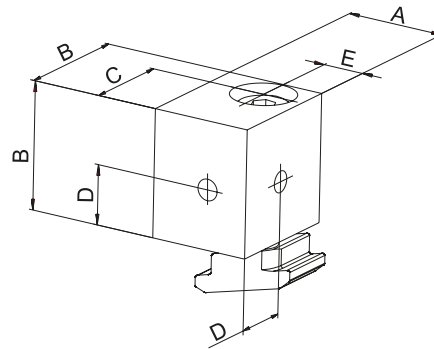
[mm]

Code No.	Type	lot sizes	Slot geometry	A	B	C	D	E	F
4008122	Block joint -L-	-	30	20	24	20	10	8	5.5
4018122	Block joint -L-	-	40	20	24	20	10	8	5.5
4004131	Fixing screw for panel	10, 20, 30... pcs	Wall thickness 2-8 mm	Socket head button screw M5x30 ISO 7380					

### Block joint -G-

**Material:**  
Vibration finished aluminium,  
galvanised steel parts

**Includes:**  
Complete fixing set for  
profile assembly.



[mm]

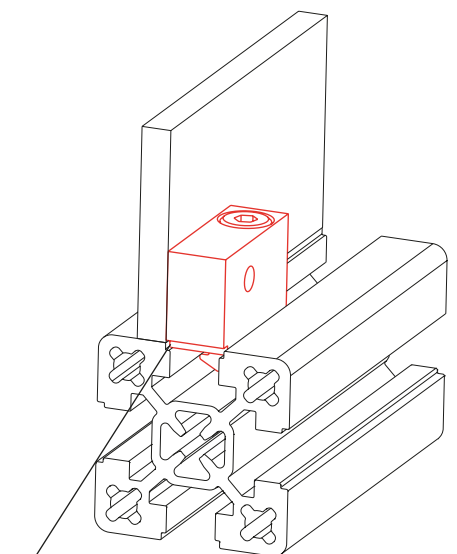
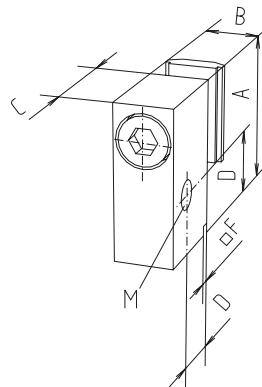
Code No.	Type	Slot geometry	A	B	C	D	E
4015121	M6	40	24	30	22	14	10
4025122	M8	40	24	30	22	14	10
4085121	M6 for profile 50	40	34	30	22	14	15
4085122	M8 for profile 50	40	34	30	22	14	15

### Block joint -K-

**Material:**  
Vibration finished aluminium,  
galvanised steel parts

**Includes:**  
Complete fixing set for  
profile assembly.

The insertion depth in the profile  
is 1.5 mm.



Insertion depth

[mm]

Code No.	Type	Slot geometry	A	B	C	D	F	M
4005123	M6	30	32	12	20	12.5	2	M6
4015123	M6	40	32	12	20	12.5	2	M6

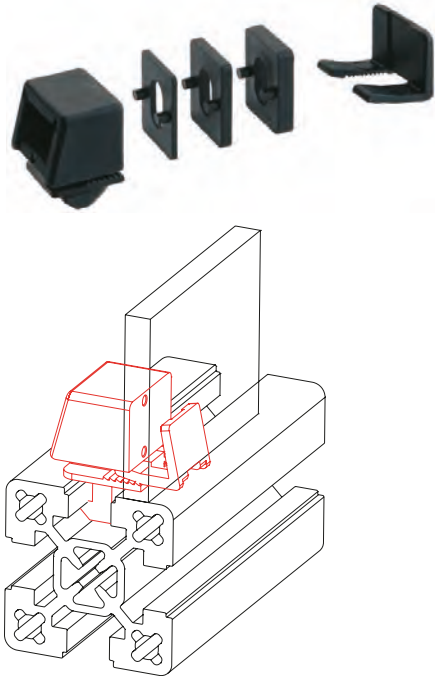
## Structural profiles

# Panels and accessories

### Order instruction:

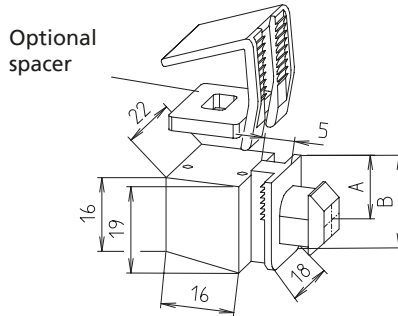
- Purchase only in lot sizes and a multiple of that see product table below

### Vario-Quick holding block R



- For retrofitting a wide variety of panels without screws in an existing profile structure

- Fixation by means of toothed snap-in clips. Spacers allow for different distances from the profile edge



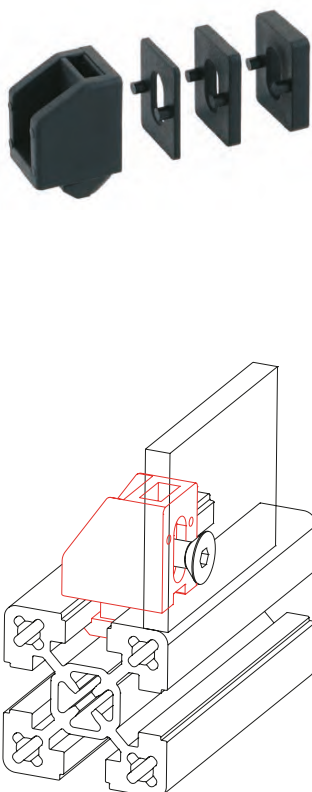
Clamping range for panels: 1-10 mm.

Panel cut length:  
Frame internal dimension -6 mm all-round.

Material: Black plastic

Code No.	Type	lot sizes	Version	[mm]	
				A	B
40081231	Holding block R	10, 20, 30... pcs	30 slot geometry	5.5	20
40181231	Holding block R	10, 20, 30... pcs	40 slot geometry	8.5	20
40081321	Spacer R	10, 20, 30... pcs	2 mm	-	-
40081331	Spacer R	10, 20, 30... pcs	3 mm	-	-
40081351	Spacer R	10, 20, 30... pcs	5 mm	-	-

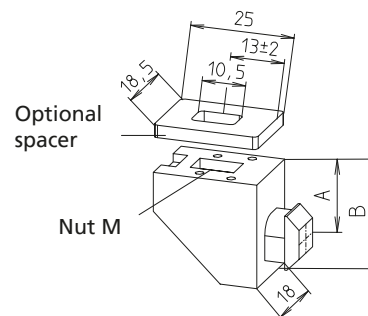
### Vario-Quick holding block S



- For retrofitting a wide variety of panels in an existing profile structure
- The panel is screwed to the holding block.

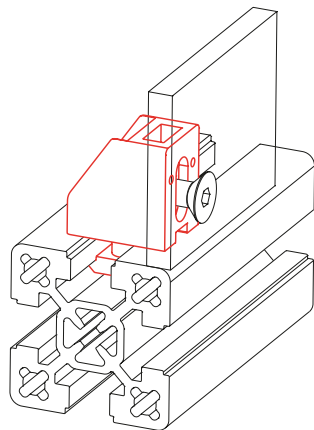
- Spacers allow for different distances from the profile edge

Material: Black plastic, galvanised nut



Code No.	Type	lot sizes	Version	[mm]		
				A	B	M
40081641	Holding block S	10, 20, 30... pcs	30 slot geometry	5	18	M4
40181641	Holding block S	10, 20, 30... pcs	40 slot geometry	10	25	M4
40081241	Holding block S	10, 20, 30... pcs	30 slot geometry	5	18	M6
40181241	Holding block S	10, 20, 30... pcs	40 slot geometry	10	25	M6
40181321	Spacer S/L	10, 20, 30... pcs	2 mm	-	-	-
40181331	Spacer S/L	10, 20, 30... pcs	3 mm	-	-	-
40181351	Spacer S/L	10, 20, 30... pcs	5 mm	-	-	-

## Vario-Quick holding block L

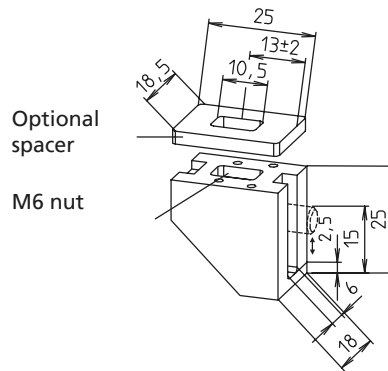


- For fixing various panels in an profile structure.
- The panel is screwed to the holding block.
- One fixing set connects one profile. The slot allows different panel thicknesses to be fixed without spacers.

**Material:** Black plastic, galvanised nut

**Includes:**

The Order No. includes one complete fixing set (socket head cap screw, slot stone -F-) for mounting on profile

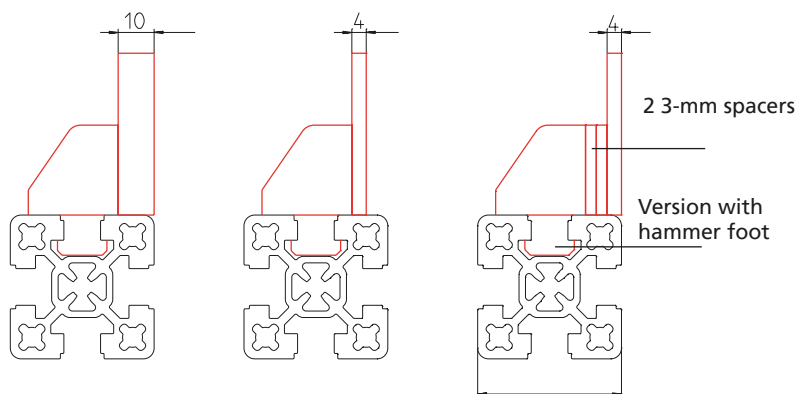


Code No.	Type	lot sizes	Version
40081261	Holding block L	10, 20, 30... pcs	30 slot geometry
40181261	Holding block L	10, 20, 30... pcs	40 slot geometry
40181321	Spacer S/L	10, 20, 30... pcs	2 mm
40181331	Spacer S/L	10, 20, 30... pcs	3 mm
40181351	Spacer S/L	10, 20, 30... pcs	5 mm

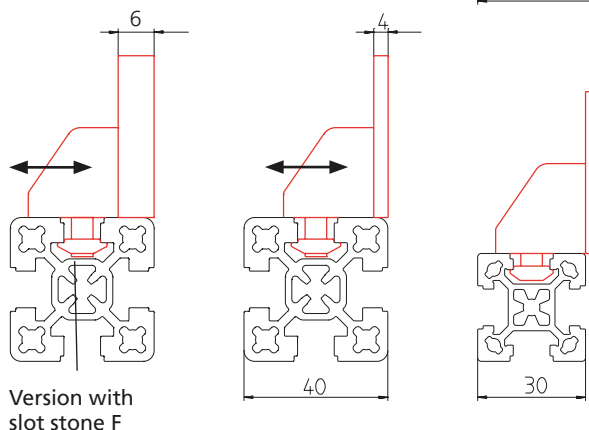
[mm]

## Application examples:

- **Vario-Quick holding block R/S**  
Profile 40 combined with panel thickness 4 and 10 mm. Compensation using spacers (choice of 2, 3 or 5 mm)



- **Vario-Quick holding block L:**  
Profile 40 combined with panel thickness 4 and 6 mm. Compensation using slot – if necessary, using spacers (choice of 2, 3 or 5 mm)



Version with slot stone F

## Structural profiles

# Panels and accessories

### Order instruction:

- Purchase only in lot sizes and a multiple of that see product table below

- For fixing cables and hoses
- It is possible to insert it into the profile slot retrospectively

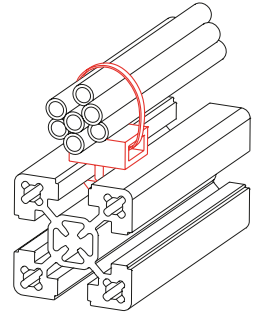
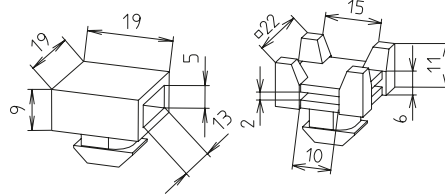
**Material:** Black plastic

## Vario-Quick holding block K/KK

Type K



Type KK

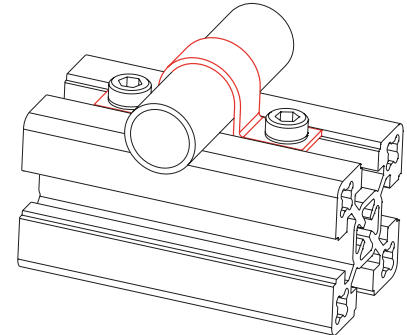
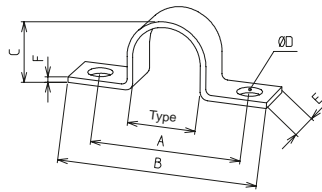


Code No.	Type	lot sizes	Version
40081251	Holding block K	10, 20, 30... pcs	30 slot geometry
40181251	Holding block K	10, 20, 30... pcs	40 slot geometry
40181271	Holding block KK	10, 20, 30... pcs	40 slot geometry

## Tube clamp

For fixing tubes, hoses and cables

**Material:** Stainless steel, galvanised fixing set



[mm]

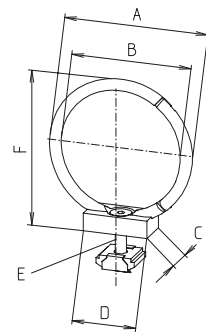
Code No.	Type	lot sizes	A	B	C	D	E	F
40105401	Ø6	10, 20, 30... pcs	28	41.5	6.8	6.5	12	1
40105411	Ø8	10, 20, 30... pcs	28	41.5	8.5	6.5	12	1
40105421	Ø10	10, 20, 30... pcs	33	46	10.5	6.5	12	1
40105431	Ø12	10, 20, 30... pcs	33	46	13	6.5	12	1
40105441	Ø14	10, 20, 30... pcs	35	48	15	6.5	12	1
40105451	Ø18	10, 20, 30... pcs	40	53	19.5	6.5	12	1.5
40105461	Ø20	10, 20, 30... pcs	40	53	21.2	6.5	12	1.5
40105471	Ø21.3	10, 20, 30... pcs	40	53	22.5	6.5	12	1.5
40105481	Ø27	10, 20, 30... pcs	47	60	28	6.5	12	1.5
Fixing set (for 10 tube clamps)								
40005491	30 slot geometry	10, 20, 30... pcs	-	-	-	-	-	-
40105491	40 slot geometry	10, 20, 30... pcs	-	-	-	-	-	-



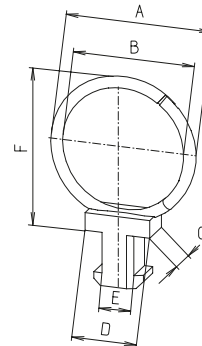
## Vario-Quick cable bracket

- For routing cables and hoses
- Can be opened and reused without any problem
- Simply screwed into the slot

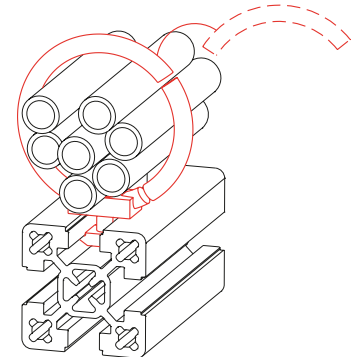
**Material:** Black plastic



Slot stone (N) version



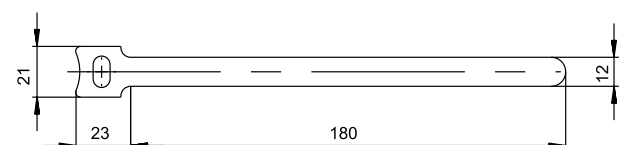
Hammer foot (HF) version



[mm]

Code No.	Type	lot sizes	Slot geometry	A	B	C	D	E	F
40081401	15 HF	10, 20, 30... pcs	30	28.5	17	10	19	9.5	28.5
40181401	15 HF	10, 20, 30... pcs	40	28.5	17	10	19	9.5	28.5
40081441	15 N	10, 20, 30... pcs	30	28.5	17	12	20	M 5	28.5
40181521	15 N	10, 20, 30... pcs	40	28.5	17	12	20	M 5	28.5
40081411	25 HF	10, 20, 30... pcs	30	36.5	25	10	19	9.5	36.5
40181411	25 HF	10, 20, 30... pcs	40	36.5	25	10	19	9.5	36.5
40081451	25 N	10, 20, 30... pcs	30	36.5	25	12	20	M 5	36.5
40181531	25 N	10, 20, 30... pcs	40	36.5	25	12	20	M 5	36.5
40081421	35 HF	10, 20, 30... pcs	30	47.5	35	10	19	9.5	47.5
40181421	35 HF	10, 20, 30... pcs	40	47.5	35	10	19	9.5	47.5
40081461	35 N	10, 20, 30... pcs	30	47.5	35	12	20	M 5	47.5
40181541	35 N	10, 20, 30... pcs	40	47.5	35	12	20	M 5	47.5
40081431	45 HF	10, 20, 30... pcs	30	56.5	45	10	19	9.5	56.5
40181431	45 HF	10, 20, 30... pcs	40	56.5	45	10	19	9.5	56.5
40181551	45 N	10, 20, 30... pcs	40	56.5	45	12	20	M 5	56.5

## Cable straps with velcro



Code No.	Scale of pack quantities
91815	5, 10, 15... piece

## Structural profiles

# Panels and accessories

### Sliding door profile

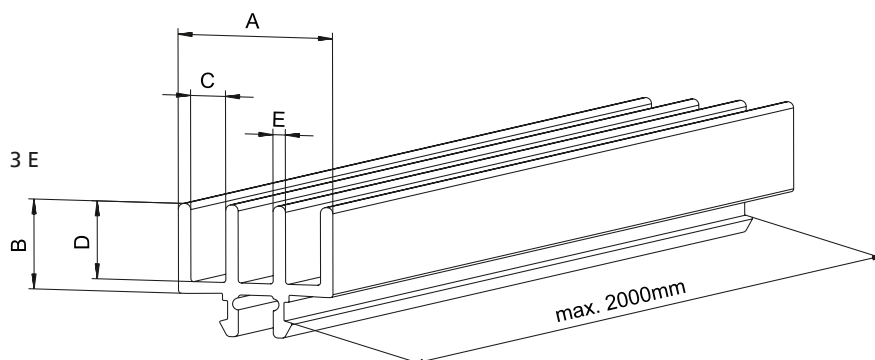
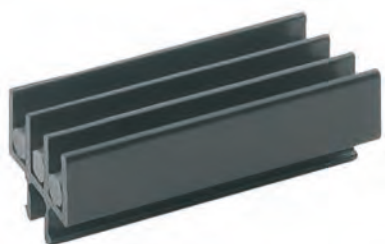
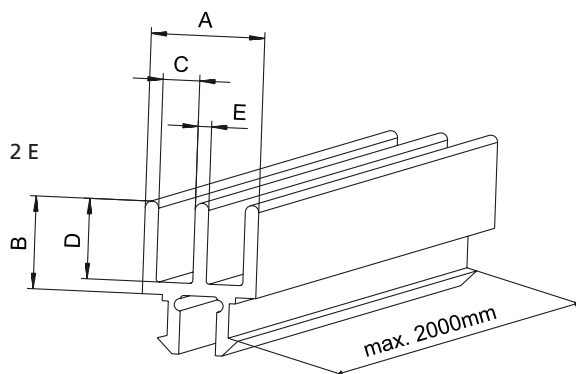
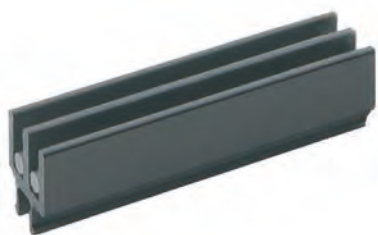
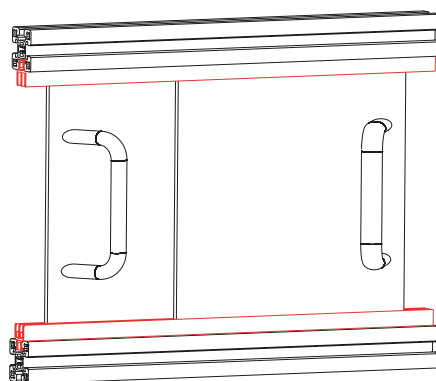
- The sliding door profile is inserted into the longitudinal slot of the BLOCAN® profile. Then the bead moulding is placed in the bottom sliding door profile. As illustrated in the diagram, the panels can now be inserted.

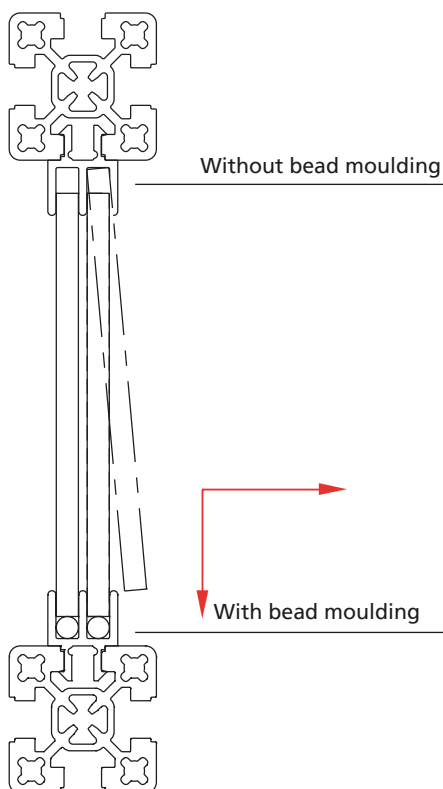
**Material:** Black plastic

**Panel cut length:**

Frame internal height -17 mm for 6 mm panels and -22 mm for 8 mm panels.

For sliding doors with a profile frame, the sliding piece on page 110 or the roller module in the safety guard section on page 458 must be used.





								[mm]
Code No.	Type	Slot geometry	A	B	C	D	E	
<b>Without bead moulding</b>								
4000553	2E, cut to size	30	19	15	6,2	12,6	2	
4000551	2E, bar							
4000593	3E, cut to size	30	27,4	15	6,2	13	2,2	
4000591	3E, bar							
4010555	2E, cut to size	40	18,6	15	6	13	2,2	
4010551	2E, bar							
4010557	2E, cut to size	40	28	17,5	8,3	15	6	
4010556	2E, bar							
On request	3E, cut to size	40	27,4	15	6,2	13	2,2	
On request	3E, bar							
<b>With bead moulding</b>								
4000552	2E, cut to size	30	19	15	6,2	12,6	2,2	
4000550	2E, bar							
4000592	3E, cut to size	30	27,4	15	6,2	13	2,2	
4000590	3E, bar							
4010552	2E, cut to size	40	18,6	15	6	13	2,2	
4010550	2E, bar							
4010554	2E, cut to size	40	28	17,5	8,3	15	6	
4010553	2E, bar							
On request	3E, cut to size	40	27,4	15	6,2	13	2,2	
On request	3E, bar							

**Structural profiles**

**Feet, castors and accessories**

**Versions**



Foot -plastic-



Levelling foot



Eye bolt



Connecting plate  
for foot



Foundation bracket  
-steel-



Foundation bracket  
-aluminium-



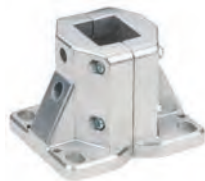
Base plate



Clamp FKV / FV



Base bracket



Base clamp FVV



Steering roller



Fixed castor



Foot rest FSH



## Table of contents

<b>Feet, castors and accessories</b>	Foot -plastic- ..... p. 126
	Levelling foot ..... p. 127
	Eye bolt..... p. 127
	Connecting plate for foot..... p. 128
	Foundation bracket -steel- ..... p. 130
	Foundation bracket -aluminium- ..... p. 131
	Base plate ..... p. 132
	Clamp FKV / FV ..... p. 133
	Base bracket ..... p. 133
	Base clamp FVV ..... p. 134
	Steering roller..... p. 136
	Fixed castor ..... p. 137
	Foot rest FSH..... p. 138

**Structural profiles**

# Feet, castors and accessories

## Foot

- Visually attractive
- Alternative to conventional levelling feet
- Height adjustment without tools

**Material:** Black plastic

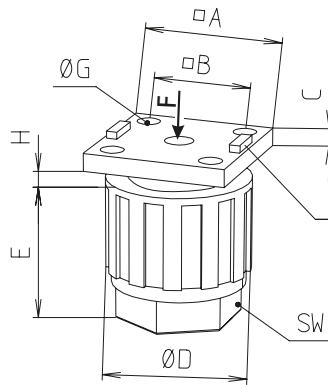
**Includes:**  
Complete foot with fastenings (galvanised) for connection to one profile.



Fixing in the slot



Fixing to the face

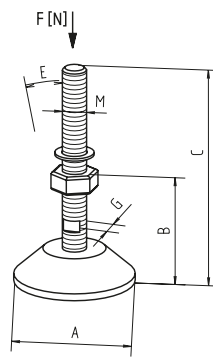


H = height adjustment

Centring pin (if necessary, can be removed with a pliers)

Code No.	Slot geometry	A	B	C	D	E	G*	Max. H	Wrench size	F [N]
[mm]										
<b>Fixing in the slot and to the face of the profile</b>										
4008301	30	30	20.5	5	30	29.5	4.5	15	22	1000
4018301	40	40	28	5	40	39.5	6.6	23	30	1200
<b>Fixing to the face of the profile (with connecting plate t = 15 mm)</b>										
4300301	For F-30x60	30	20.5	5	30	29.5	4.5	15	22	1000
4310301	For F-30x80	30	20.5	5	30	29.5	4.5	15	22	1000
4290301	For F-30x100	30	20.5	5	30	29.5	4.5	15	22	1000
4320301	For F-30x120	30	20.5	5	30	29.5	4.5	15	22	1000
4330301	For F-30x160	30	20.5	5	30	29.5	4.5	15	22	1000

## Levelling foot


**Material:**

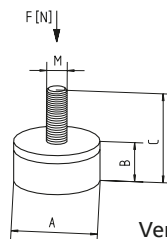
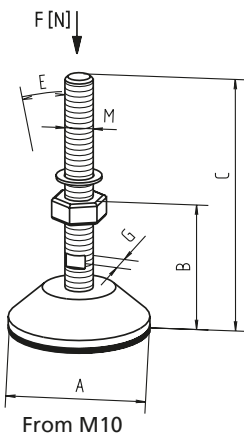
Galvanised steel parts, black plastic pivot plate. Fixation with foot connecting plates.

See page 128

[mm]

Code No.	Type	Version	A	B	C	M	E	G	F [N]
4006304	M8		47	20	52	M8	15°	12	1500
4016302	M10		50	25	93	M10	15°	12	3000
4016303	M12		80	24	117	M12	15°	12	7000
4026301	M16	Corrosion-resist.	80	29	156	M16	15°	13	10000
4046301	M20		60	39	185	M20	15°	16	10000
4696301	M20		100	39	185	M20	15°	16	10000
4696302	M20		123	61	207	M20	15°	16	20000

## Levelling foot with vibration absorber

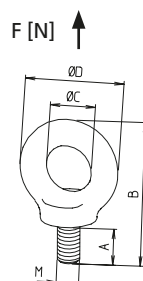


Version: M6, M8

[mm]

Code No.	Type	Version	A	B	C	M	E	G	F [N]
4006311	M6		25	12	31	M6	-	-	520
4016311	M8		30	15	35	M8	-	12	760
4016312	M10		50	25	94	M10	15°	12	3000
4016313	M12		80	40	119	M12	15°	12	7000
4026311	M16	Corrosion-resist.	80	32	159	M16	15°	13	10000
4046311	M20		60	42	188	M20	15°	16	10000
4696311	M20		100	39	188	M20	15°	16	10000
4046312	M20		123	70	215	M20	15°	16	10000

## Eye bolt


**Material:**

Galvanised steel  
Fixation with foot connecting plates. See page 128

[mm]

Code No.	Type	Version	A	B	C	D	M
4000300	M6	DIN 580	12	39	13,5	28	M6
4000301	M8	DIN 580	13	49	20	36	M8
4000302	M10	DIN 580	17	62	25	45	M10
4000303	M12	DIN 580	20,5	73,5	30	54	M12

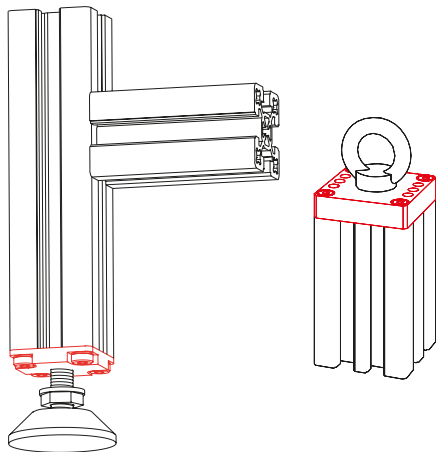
**Structural profiles**

# Feet, castors and accessories

## Connecting plate for levelling feet

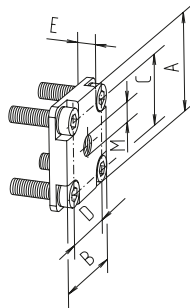
- Connecting plate with tapped hole for feet.
- Also suitable for taking eye bolts.

**Includes:**  
Connecting plate incl. fastenings

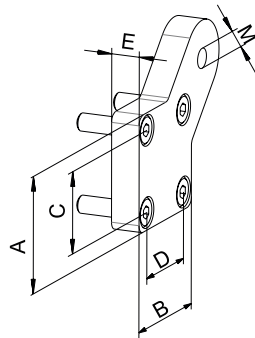


For feet and eye bolts, please see page 127

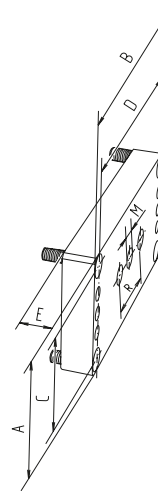
(1) Die-cast aluminium



(3) Die-cast zinc



(2) Aluminium



[mm]

Code No.	Type	Connec-tion	See figure	A	B	C	D	E	M	R
4574401	30x30	M8	3	30	30	21	21	10	M8	-
4305402	F-30x60	M6	2	30	60	21.5	48	15	M6	-
4305403	F-30x60	M8	2	30	60	21.5	48	15	M8	-
4295402	F-30x100	M6	2	30	100	21.5	88	15	M6	-
4295403	F-30x100	M8	2	30	100	21.5	88	15	M8	-
4295404	F-30x100	M10	2	30	100	21.5	88	15	M10	-
4295405	F-30x100	M12	2	30	100	21.5	88	15	M12	-
4D34400	40x40, F-40x40-L	M8	3	40	40	28	28	10	M8	-
4D34401	40x40, F-40x40-L	M10	3	40	40	28	28	10	M10	-
4D34402	40x40, F-40x40-L	M12	3	40	40	28	28	10	M12	-
4034404	40x80, F-40x80-L, F-40x80/3	M8	2	40	80	28	68	7	M8	-
4034402	40x80, F-40x80-L F-40x80/3	M10	2	40	80	28	68	7	M10	-
4034403	40x80, F-40x80-L, F-40x80/3	M12	2	40	80	28	68	7	M12	-
4655402	F-40x160	M8	2	40	160	28	148	15	M8	-
4655403	F-40x160	M10	2	40	160	28	148	15	M10	-
4655404	F-40x160	M12	2	40	160	28	148	15	M12	-
4655405	F-40x160	M16	2	40	160	28	148	15	M16	-



											[mm]
Code No.	Type	Connec- tion	See figure	A	B	C	D	E	M	R	
4085401	F-50x50, F-50x50-L	M8	1	50	50	38	38	7	M8	-	
4085402	F-50x50, F-50x50-L	M10	1	50	50	38	38	7	M10	-	
4665402	F-50x100	M8	2	50	100	-	65,5	15	M8	-	
4665403	F-50x100	M10	2	50	100	-	65,5	15	M10	-	
4665404	F-50x100	M12	2	50	100	-	65,5	15	M12	-	
4665405	F-50x100	M16	2	50	100	-	65,5	15	M16	-	
4675402	F-50x200	M8	2	50	200	-	165.5	15	M8	-	
4675403	F-50x200	M10	2	50	200	-	165.5	15	M10	-	
4675404	F-50x200	M12	2	50	200	-	165.5	15	M12	-	
4675405	F-50x200	M16	2	50	200	-	165.5	15	M16	-	
4024405	60x60	M8	1	60	60	43/48	43/48	7	M8	-	
4024402	60x60	M10	1	60	60	43/48	43/48	7	M10	-	
4024403	60x60	M12	1	60	60	43/48	43/48	7	M12	-	
4224402	F-60/1, F-60x60-L	M8	1	60	60	43/48	43/48	6.5	M8	-	
4224403	F-60/1, F-60x60-L	M10	1	60	60	43/48	43/48	6.5	M10	-	
4065402	F-60x120	M10	2	60	120	48	108	15	M10	-	
4065403	F-60x120	M12	2	60	120	48	108	15	M12	-	
4065404	F-60x120	M16	2	60	120	48	108	15	M16	-	
4044404	80x80, F-80/2, F-80-L, F-80x80/2-L	M10	1	80	80	68	68	8	M10	-	
4044405	80x80, F-80/2, F-80-L, F-80x80/2-L	M12	1	80	80	68	68	8	M12	-	
4044402	80x80, F-80/2, F-80-L, F-80x80/2-L	M16	1	80	80	68	68	8	M16	-	
4044403	80x80, F-80/2, F-80-L, F-80x80/2-L	M20	1	80	80	68	68	8	M20	-	
4685402	F-80x120	M10	2	80	120	68	108	15	M10	-	
4685403	F-80x120	M12	2	80	120	68	108	15	M12	-	
4685404	F-80x120	M16	2	80	120	68	108	15	M16	-	
4685405	F-80x120	M20	2	80	120	68	108	15	M20	-	
4075403	F-80x160, F-80x160-L	M12	2	80	160	68	148	15	M12	44	
4075404	F-80x160, F-80x160-L	M16	2	80	160	68	148	15	M16	44	
4075405	F-80x160, F-80x160-L	M20	2	80	160	68	148	15	M20	44	
4695402	F-100x100	M10	1	100	100	65.5	50	15	M10	-	
4695403	F-100x100	M12	1	100	100	65.5	50	15	M12	-	
4695404	F-100x100	M16	1	100	100	65.5	50	15	M16	-	
4695405	F-100x100	M20	1	100	100	65.5	50	15	M20	-	
4164402	F-120x120	M10	1	120	120	80	80	15	M10	-	
4164403	F-120x120	M12	1	120	120	80	80	15	M12	-	
4164404	F-120x120	M16	1	120	120	80	80	15	M16	-	
4164405	F-120x120	M20	1	120	120	80	80	15	M20	-	

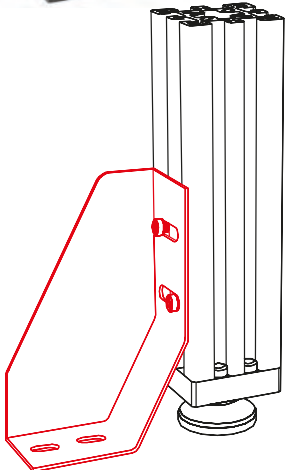
## Structural profiles

# Feet, castors and accessories

### Order instruction:

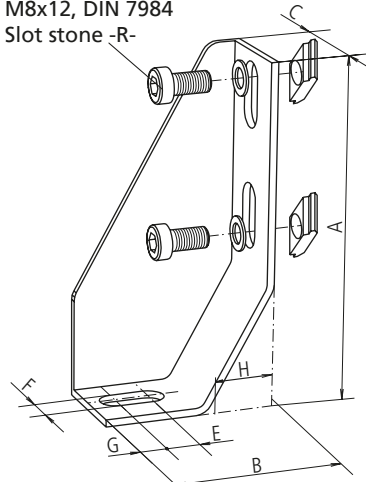
- Purchase only in lot sizes and a multiple of that see product table below

### Foundation bracket –sheet steel–

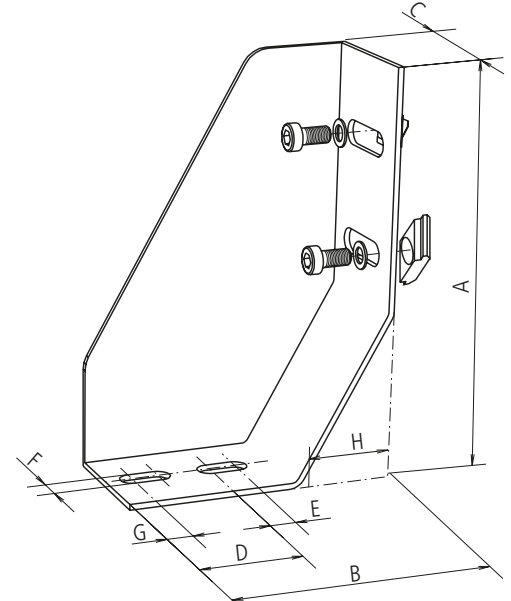


- For fixing frames, work tables and machines
- Foundation bracket can be retro-respectively fixed to the profile with slot stone -R- see page 88

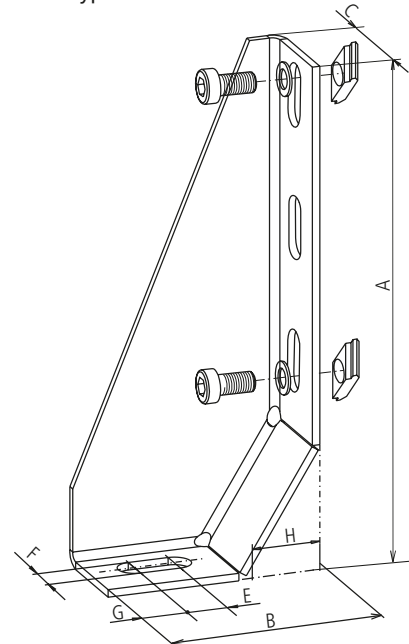
Socket head cap screw  
M8x12, DIN 7984  
Slot stone -R-



Type left 100x50x28



Type left 150x100x48



Type left 200x85x38

Code No.	Type	A	B	C	D	E	F	G	H
4001300	left 100x50x28	100	50	28	–	10	9	8	18
4001301	right 100x50x28	100	50	28	–	10	9	8	18
4021300	left 150x100x48	150	100	48	40	10	9	10	32
4021301	right 150x100x48	150	100	48	40	10	9	10	32
4011306	left 200x85x38	200	85	38	–	19	9	16	30
4011305	right 200x85x38	200	85	38	–	19	9	16	30

[mm]

Code No.	Type	lot sizes
4016611	High performance anchor M8x110	4, 8, 12... pcs

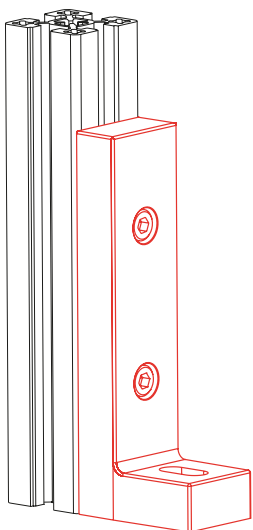
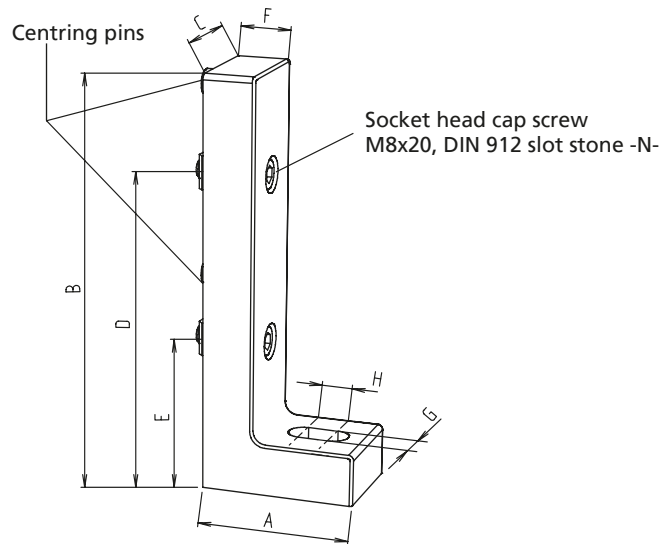
**Order instruction:**

- Purchase only in lot sizes and a multiple of that see product table below

**Foundation bracket  
–aluminium–**

- For fixing frames, work tables and machines
- Complete set including fastenings
- Angle is fixed to the profile with slot stones -N-. See page 87

**Material:**  
Black powder-coated gravity die-cast aluminium



Code No.	Type	lot sizes
4016612	Floor fixing M8x115	4, 8, 12... pcs

Code No.	Type	A	B	C	D	E	F	G	H
4011302	40 slot geometry	60	160	40	120	55	20	11	12

[mm]

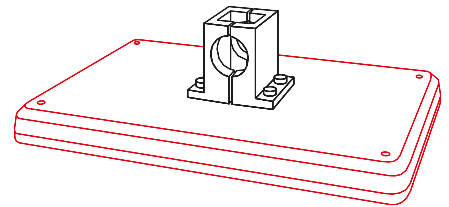
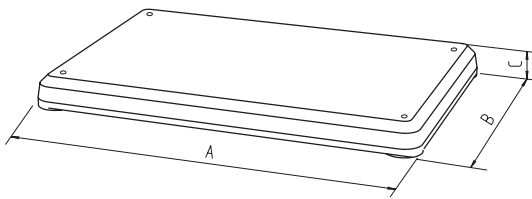
## Structural profiles

# Feet, castors and accessories

### Base plate

- Optionally available with hole, rubber foot, foot or steering roller
- Optional filling (steel plate) available to raise the overturning moment

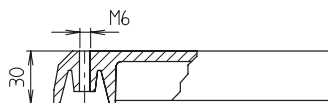
**Material:**  
Vibration finished gravity die-cast aluminium  
(powder-coating on request)



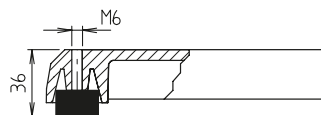
Code No.	Type	A	B	C
230 000 100 20	FP	375	250	30

[mm]

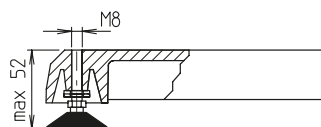
1= Joint hole



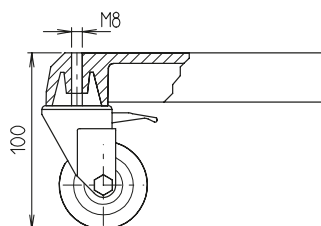
2= Rubber foot



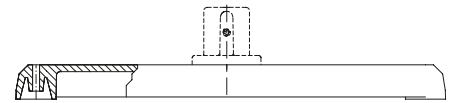
3= Foot



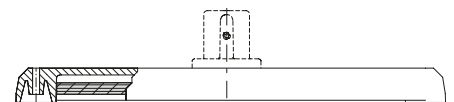
4= Steering roller with brake

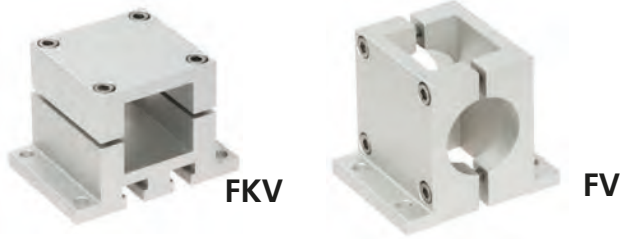


\_ = Without filling,  
overturning moment 3 Nm

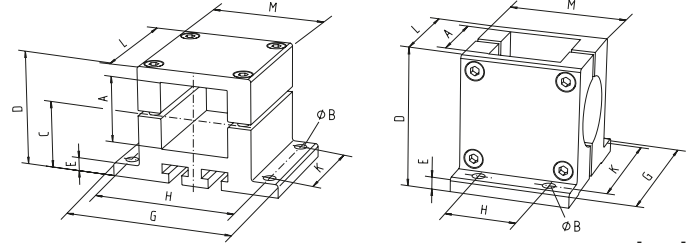


Y = Cavity with steel plate (m= 4.6 kg),  
Overturning moment 6 Nm



**Clamp**


**Material:** Aluminium.  
Stainless steel fixing  
For further clamping elements,  
please refer to the catalogue  
"Connecting Technology"

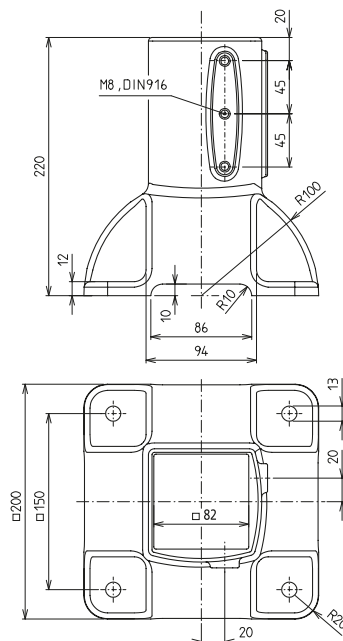


[mm]

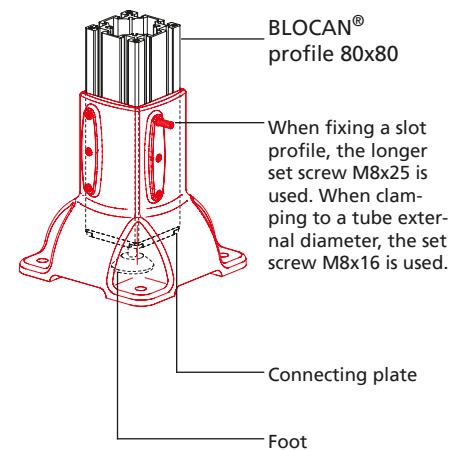
Code No.	Type	A	Ø B	C	D	E	G	H	K	L	M
52300005030	FKV 30	30.2	7	30	51	6	84	70	40	56	56
52400005030	FKV 40	40.3	7	40	68	8	97	83	54	68	68
52500005030	FKV 50	50.4	9	50	85	10	125	105	65	85	85
52600005030	FKV 60	60.3	9	62.5	111	12	145	120	80	105	105
52800005030	FKV 80	80.4	11	80	136	16	170	148	80	126	126
53300005030	FV 30	30.2	7	-	58	6	70	28	56	42	56
53400005030	FV 40	40.3	7	-	74	8	85	40	70	56	68
53500005030	FV 50	50.4	9	-	92	10	110	50	90	70	84
53600005030	FV 60	60.4	9	-	112.5	12	137	80	120	97	105
53800005030	FV 80	80.4	11	-	142	16	156	80	135	112	126

**Order instruction:**

- Purchase only in lot sizes and a multiple of that see product table below

**Base bracket BAK-80**


**Material:** Silver powder-coated gravity die-cast aluminium, stainless steel fixing



Code No.	Type	lot sizes	Version
4040501	Base bracket BAK-80	-	with set screw M8x25 DIN916-A
4016302	Levelling foot M10	-	Length 93 mm, plate Ø 50 mm
4019302	Levelling foot M10, corrosion-resistant	-	Length 93 mm, plate Ø 50 mm
4044404	Connecting plate for levelling foot	-	for BLOCAN profile S/F-80

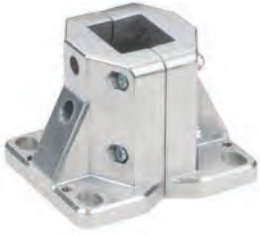
  

Code No.	Type	lot sizes
4016611	High performance anchor M8x110	4, 8, 12... pcs
40495001	Set screws M8x16-A2 DIN EN ISO 4029	6, 12, 18... pcs

**Structural profiles**

# Feet, castors and accessories

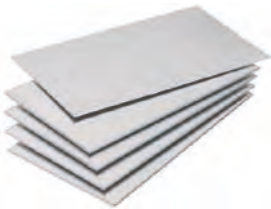
## Base clamp FVV



- Base clamp to take size 40 BLOCAN® profiles or size 40 square tubes.
- Set screws can be used to compensate for unevenness. Supporting shims, placed under the foot, prevent the set screws from digging into the floor.

**Material:** ground finished die-cast aluminium, zinc plated fixing

## Supporting/Levelling shims

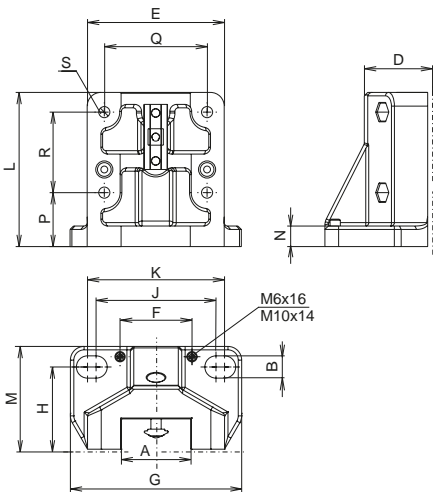


- The levelling shims give the foot clamp a full contact surface on uneven ground.

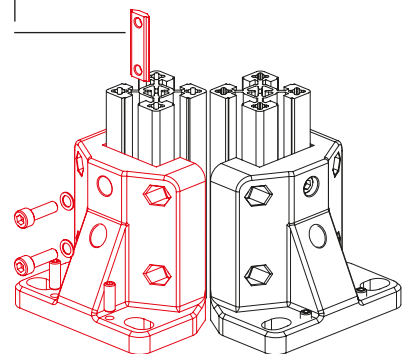
**Material:** aluminium

Code No.	Type	Includes
40143011	Levelling shims for FVV 40	4 1-mm shims, 1 0.5-mm shim

## FVV-NH



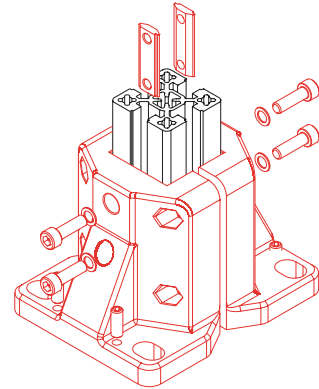
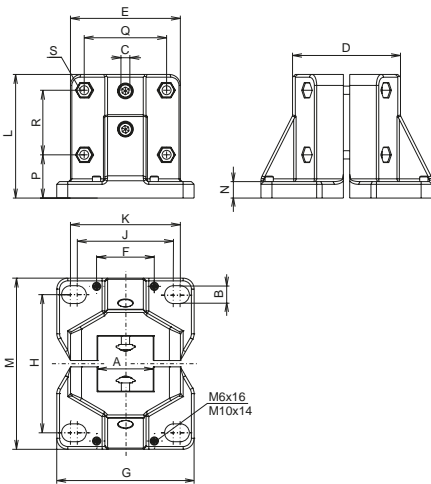
Clamping using slot stone -L-



Code No.	Type	A	C	D	E	F	G	H	J	K	L	M	N	P	Q	R	S	Weight
4014310	FVV-NH 40	40.4	12.5	39.5	80	42	100	50	70	80	90	62.5	12	31.5	60	47	Ø6.5	399 g

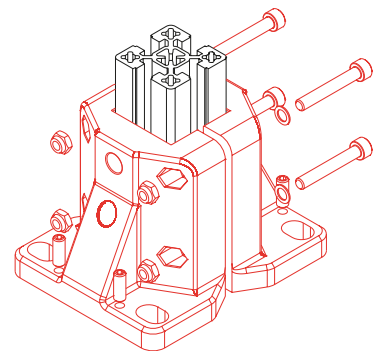
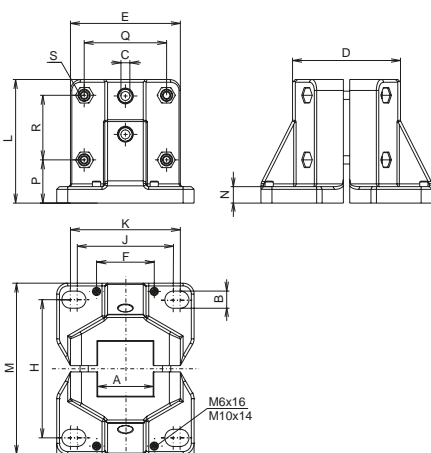


**FVV-N**



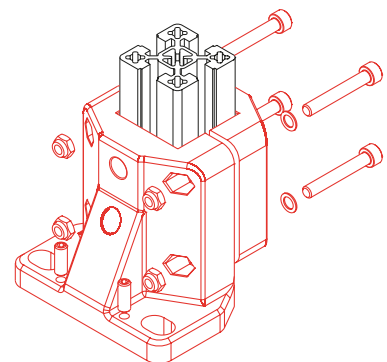
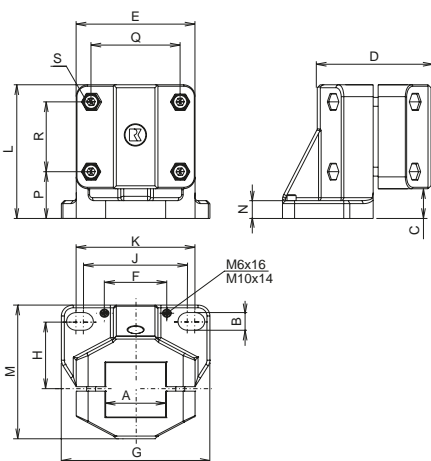
Code No.	Type	A	B	C	D	E	F	G	H	J	K	L	M	N	P	Q	R	S	Weight
4014311	FVV-N 40	40.4	12.5	6.5	79	80	42	100	100	70	80	90	125	12	31.5	60	47	M6x45	797 g

**FVV-S**



Code No.	Type	A	B	C	D	E	F	G	H	J	K	L	M	N	P	Q	R	S	Weight
4014312	FVV-S 40	40.4	12.5	6.5	79	80	42	100	100	70	80	90	125	12	31.5	60	47	M6x45	805 g

**FVV-D**



Code No.	Type	A	B	C	D	E	F	G	H	J	K	L	M	N	P	Q	R	S	Weight
4014313	FVV-D 40	40.4	12.5	20	75	80	42	100	50	70	80	90	98	12	31.5	60	47	M6x45	633 g

## Structural profiles

# Feet, castors and accessories

### Lockable steering roller

- The steering roller mobilises frames, tables and superstructures. It is available with a 1-hole fixing or with fixing plate. In addition, each version has a combined roller and swivel locking device.

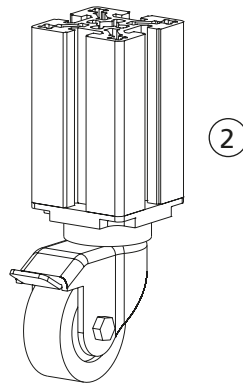
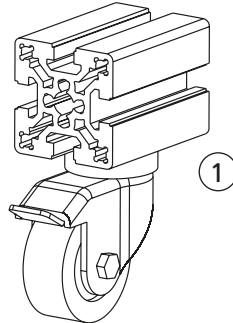
With slot stone



With connecting plate

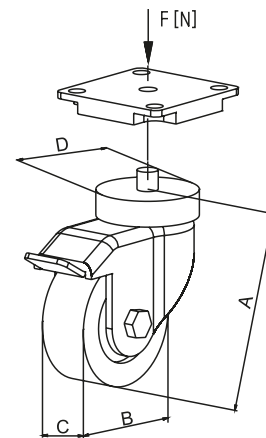
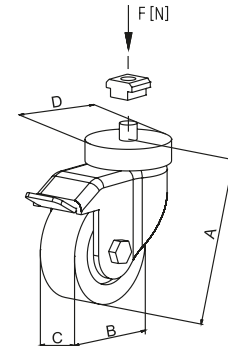


- Both the roller and the swivel head have ball bearings, which ensures that they run smoothly even under load. The rollers are not electrically conductive.



**Material:** Galvanised steel

**Includes:** Depending on the version, with connecting plate or slot stone.



[mm]

Code No.	Type	Suitable for:	A	B	C	D	Resist. F [N]
4016646	With slot stone	30 geometry (1)	70	50	20	39	400
4016648	With slot stone	40 geometry (1)	70	50	20	39	400
4006654	30x30	F-30x30 (2)	70	50	20	39	400
4016654	40x40, F-40x40-L	F-profiles 40 (2)	70	50	20	39	400
4016674	40x40, 40x40-L	F-profiles 40 (2)	98	75	25	43	600
4306644	F-30x60	F-profiles 30x60 (2)	70	50	20	39	400
4296644	F-30x100	F-profiles 30x100 (2)	100	75	25	39	600
4656644	F-40x160	F-profiles 40x160 (2)	100	75	25	39	600
4086644	F-50x50, F-50x50-L	F-profiles 50 (2)	70	50	20	39	400
4666644	F-50x100	F-profiles 50x100 (2)	100	75	25	39	600
4676644	F-50x200	F-profiles 50x200 (2)	100	75	25	39	600
4026644	60x60	F-profiles 60 (2)	100	75	25	39	600
4026648	60x60	F-profiles 60 (2)	133	100	32	53	900
4226644	F-60x60-L, F-60x60/1	F-profiles 60-L (2)	100	75	25	39	600
4066648	F-60x120	F-profiles 60x120 (2)	133	100	32	53	900
4036644	40x80, F-40x80-L, F-40x80/3	F-profiles 40x80 (2)	70	50	20	39	400
4046644	80x80, F-80x80-L	F-profiles 80 (2)	100	75	25	39	600
4046648	80x80, F-80x80-L	F-profiles 80 (2)	133	100	32	53	900
4686644	F-80x120	F-profile 80x120 (2)	133	100	32	53	900
4076644	F-80x160, F-80x160-L	F-profiles 80x160 (2)	100	75	25	39	600
4076648	F-80x160, F-80x160-L	F-profiles 80x160 (2)	133	100	32	53	900
4696644	F-100x100	F-profiles 100x100 (2)	133	100	32	53	900
4166644	F-120x120	F-profiles 120x120 (2)	182	150	32	53	1100



## Fixed castor

The fixed castor is the ideal complement to the steering roller. Combining 2 fixed castors with steering rollers makes it easier to manoeuvre the superstructure.

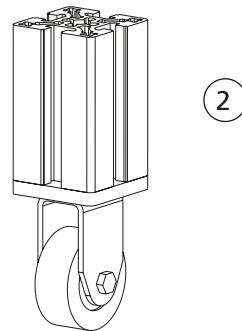
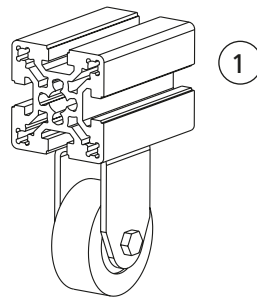
With slot stone



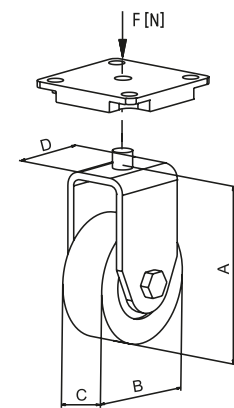
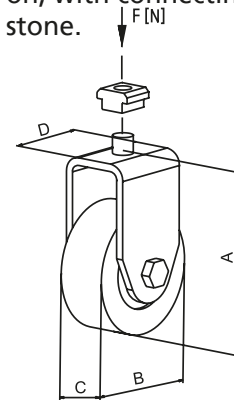
With connecting plate



- Fixed castors should be mounted on the front end. The rollers are not electrically conductive.



**Material:** Galvanised steel  
**Includes:** Depending on the version, with connecting plate or slot stone.



[mm]

Code No.	Type	Suitable for:	A	B	C	D	Resist. F [N]
4006647	With slot stone	30 geometry (1)	70	50	20	34	400
4016647	With slot stone	40 geometry (1)	70	50	20	34	400
4006655	30x30	F-30x30 (2)	70	50	20	34	400
4016655	40x40, F-40x40-L	F-profiles 40 (2)	70	50	20	34	400
4016675	40x40, 40x40-L	F-profiles 40 (2)	98	75	25	43	600
4306645	F-30x60	F-profiles 30x60 (2)	70	50	20	34	400
4296645	F-30x100	F-profiles 30x100 (2)	100	75	25	34	600
4656645	F-40x160	F-profiles 40x160 (2)	100	75	25	34	600
4086645	F-50x50, F-50x50-L	F-profiles 50 (2)	70	50	20	34	400
4666645	F-50x100	F-profiles 50x100 (2)	100	75	25	34	600
4676645	F-50x200	F-profiles 50x200 (2)	100	75	25	34	600
4026645	60x60	F-profiles 60 (2)	100	75	25	34	600
4026649	60x60	F-profiles 60 (2)	133	100	32	53	900
4226645	F-60x60-L, F-60x60/1	F-profiles 60-L (2)	100	75	25	34	600
4066645	F-60x120	F-profiles 60x120 (2)	100	75	25	34	600
4066649	F-60x120	F-profiles 60x120 (2)	133	100	32	53	900
4036645	40x80, F-40x80-L, F-40x80/3	F-profiles 40x80 (2)	70	50	20	34	400
4046645	80x80	F-profiles 80 (2)	100	75	25	34	600
4046649	80x80	F-profiles 80 (2)	133	100	32	53	900
4686645	F-80x120	F-profile 80x120 (2)	133	100	32	53	900
4076645	F-80x160, F-80x160-L	F-profiles 80x160 (2)	100	75	25	34	600
4076649	F-80x160, F-80x160-L	F-profiles 80x160 (2)	133	100	32	53	900
4696645	F-100x100	F-profiles 100x100 (2)	133	100	32	53	900
4166645	F-120x120	F-profiles 120x120 (2)	182	150	32	53	1100

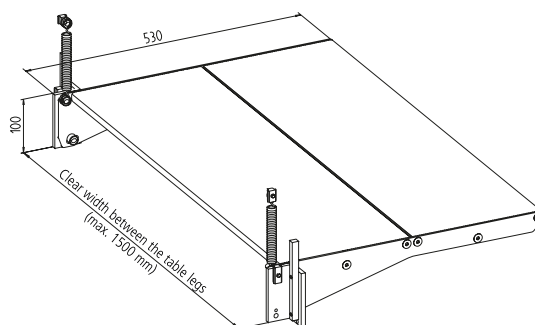
## Structural profiles

# Feet, castors and accessories

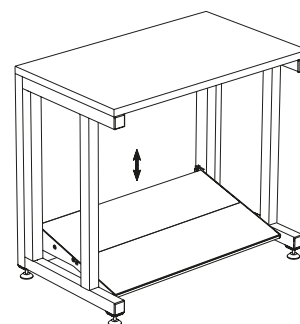
### Foot rest FSH

- Individual, infinitely variable adjustment to different persons
- Height adjustment without time-consuming assembling by means of spring adjustment
- By slightly lifting the tread the height of the system can be quickly adjusted and locks automatically when released

**Material:** Clear anodised extruded aluminium profile tread, polyamide plastic sliding pieces, galvanised steel parts



Application example



Code No.	Suitable for profile
4010642 _ _ _ _	All as of 40 slot geometry (except F-50 and L-profiles)

Clear width  
[mm]



Structural profiles

# Fittings

## Versions



Butt hinge -aluminium-



Butt hinge -plastic-



Lift off hinge -aluminium-



Lift off hinge -plastic-



Piano hinge



Lever cylinder lock



Ball catch



Magnetic lock



Magnetic lock universal



Ball catch universal



Slam Latch



Door stopper



Handle



Handle profile



Handle/Handrail



Safety switch AZ



Safety switch AZM



# Table of contents

<b>Fittings</b>	Butt hinge -aluminium- ..... p. 142
	Butt hinge -plastic- ..... p. 143
	Lift off hinge -aluminium- ..... p. 144
	Lift off hinge -plastic- ..... p. 141
	Piano hinge..... p. 146
	Lever cylinder lock..... p. 148
	Ball catch..... p. 148
	Magnetic lock..... p. 149
	Magnet lock universal..... p. 150
	Ball catch universal..... p. 151
	Slam Latch..... p. 153
	Door stopper ..... p. 154
	Handle..... p. 154
	Handle profile ..... p. 155
	Handle/Handrail ..... p. 155
<b>Electrical accessories</b>	Safety switch AZ..... p. 156
	Safety switch AZM..... p. 158

## Structural profiles

# Fittings

### Butt hinge

- Can be installed on all struts and panels. The exact position of the hinge is determined by fixing pins, which can be replaced depending on the purpose.

**Material:**  
Black anodised aluminium,  
galvanised steel.

Complete with fixing set  
(for profile assembly).



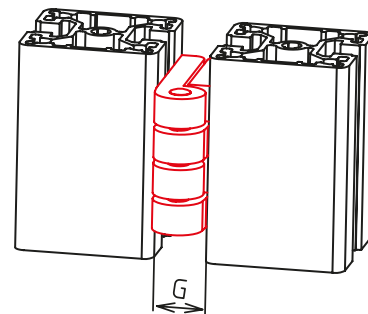
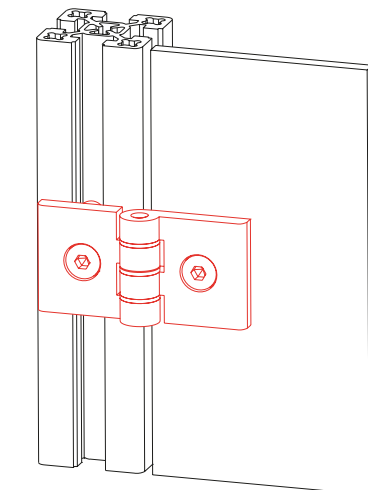
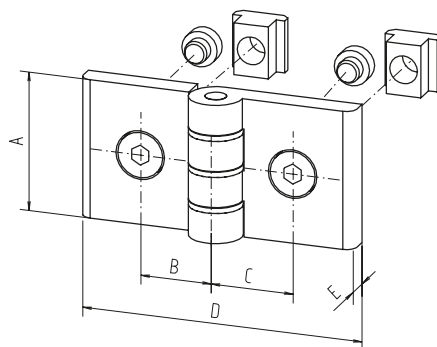
Version 1



Version 2



Version 3



[mm]

Code No.	Type	Version	A	B	C	D	E	G
<b>Butt hinge 2-part</b>								
4005525	30x30	1	50	17	17	56	7	13
4005526	30x30 to 40x40	1	50	17	22	56	7	13
4015525	40x40	2	40	22	22	79	7	15
4045526	40x40 to 60x60	2	40	22	32	79	7	15
4085525	F-50x50	2	40	27	27	79	7	15
4025525	60x60 (except F-60x60)	2	40	32	32	79	7	15
<b>Butt hinge 3-part</b>								
4015517	40	3	45	22	22	123	7	-

### Hinge assembly variants:



**Order instruction:**

- Purchase only in lot sizes and a multiple of that see product table below

**Butt hinge**

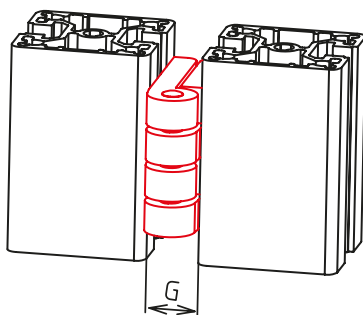
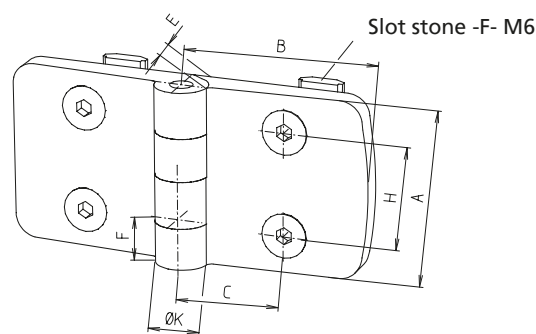

- For mounting on all struts and panels

**Material:**

Black plastic, galvanised steel

**Fixing set:**

The fixing set is not included in the Order No. and must be ordered separately.



[mm]										
Code No.	Post profile	Door-profile	A	B	C	E	F	G	H	K
4008510	30	30	48	29,5	17,5	9	12	18	28	14
4008514	40	40	48	38,5	22,5	9	12	18	28	14
4008511	40	30	48	38,5/29,5	22,5/17,5	9	12	18	28	14
4008517	50	50	48	48,5	27,5	9	12	18	28	14
4008512	50	30	48	48,5/29,5	27,5/17,5	9	12	18	28	14
4008515	50	40	48	48,5/38,5	27,5/22,5	9	12	18	28	14

**Fixing set**

Code No. for one hinge half	lot sizes	Slot geometry
4006520	10, 20, 30... pcs	30 (slot stone -F-)
4016520	10, 20, 30... pcs	40 (slot stone -F-)

## Structural profiles

# Fittings

### Lift off hinge

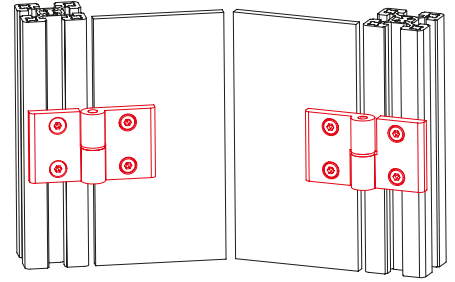
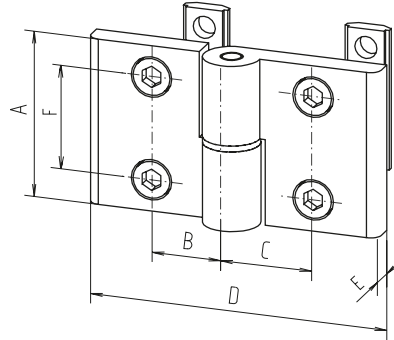
- The narrow lift off hinges are generally mounted between two profiles to save space.
- Flaps or doors can be dismantled simply by lifting them off

**Material:**  
Black anodised aluminium,  
galvanised steel

Complete with fixing set  
(for profile assembly).



Version 1



Version 2

Code No.	Slot geometry	Version	A	B	C	D	E	F	G
[mm]									
<b>Lift off hinge 2-part</b>									
4015520	40	1, left	45	22	22	79	7	28	15
4015521	40	1, right	45	22	22	79	7	28	15
4045521	40	1, left	45	22	32	79	7	28	15
4045522	40	1, right	45	22	32	79	7	28	15
<b>Lift off hinge 3-part</b>									
4015515	40	2	45	22	22	123	7	28	–

### Lift off hinge (narrow version)

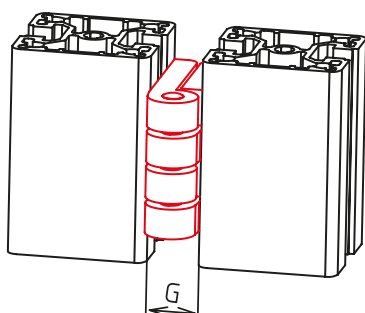
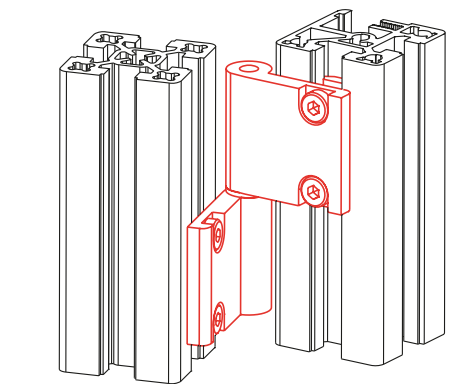
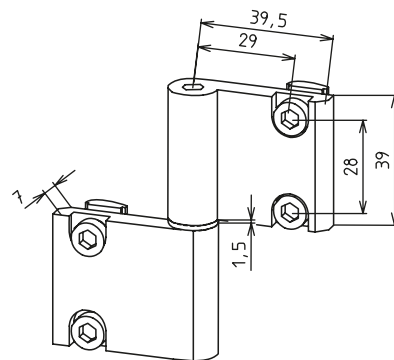
- Can be mounted on all struts and panels. Flaps or doors can be dismantled simply by lifting them off.

**Material:**  
Black anodised aluminium,  
galvanised steel

Complete with fixing set  
(for profile assembly).



Right version



Code No.	Slot geometry	Version	G
[mm]			
4015527	30	Left	7.5
4015526	30	Right	7.5
4015523	40	Left	7.5
4015522	40	Right	7.5



**Order instruction:**

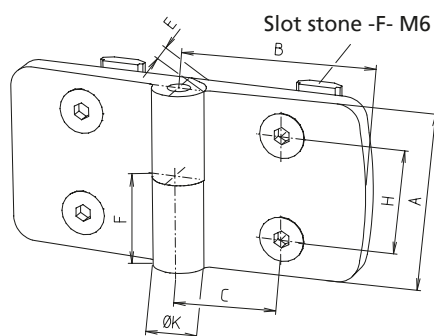
- Purchase only in lot sizes and a multiple of that see product table below

**Lift off hinge**

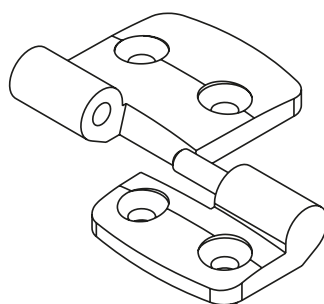
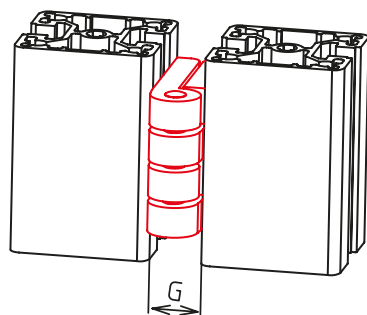

- Can be installed on all struts and panels.
- Flaps or doors can be dismounted simply by lifting them off.

**Material:**  
Black plastic, galvanised steel

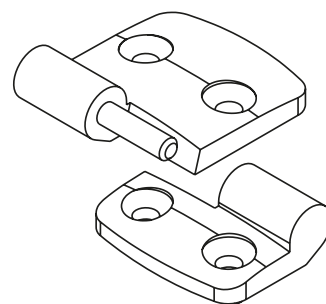
**Fixing set:**  
The fixing set is not included in the Order No. and must be ordered separately.



- Different sizes can be combined with each other. Example: Two lift off hinges L [ 30 | 50 ] can be assembled from one hinge L [ 50 | 50 ] and one hinge L [ 30 | 30 ]. See illustration below.



Variant 1



Variant 2

		[mm]									
Version	Code No.	Post profile	Door profile	A	B	C	E	F	G	H	K
Right	4008530	30	30	48	29,5	17,5	9	24	18	28	14
	4008540	40	40	48	38,5	22,5	9	24	18	28	14
	4008550	50	50	48	48,5	27,5	9	24	18	28	14
Left	4008531	30	30	48	29,5	17,5	9	24	18	28	14
	4008541	40	40	48	38,5	22,5	9	24	18	28	14
	4008551	50	50	48	48,5	27,5	9	24	18	28	14

**Fixing set**

Code No. for one hinge half	lot sizes	Slot geometry
4006520	10, 20, 30... pcs	30 (slot stone -F-)
4016520	10, 20, 30... pcs	40 (slot stone -F-)

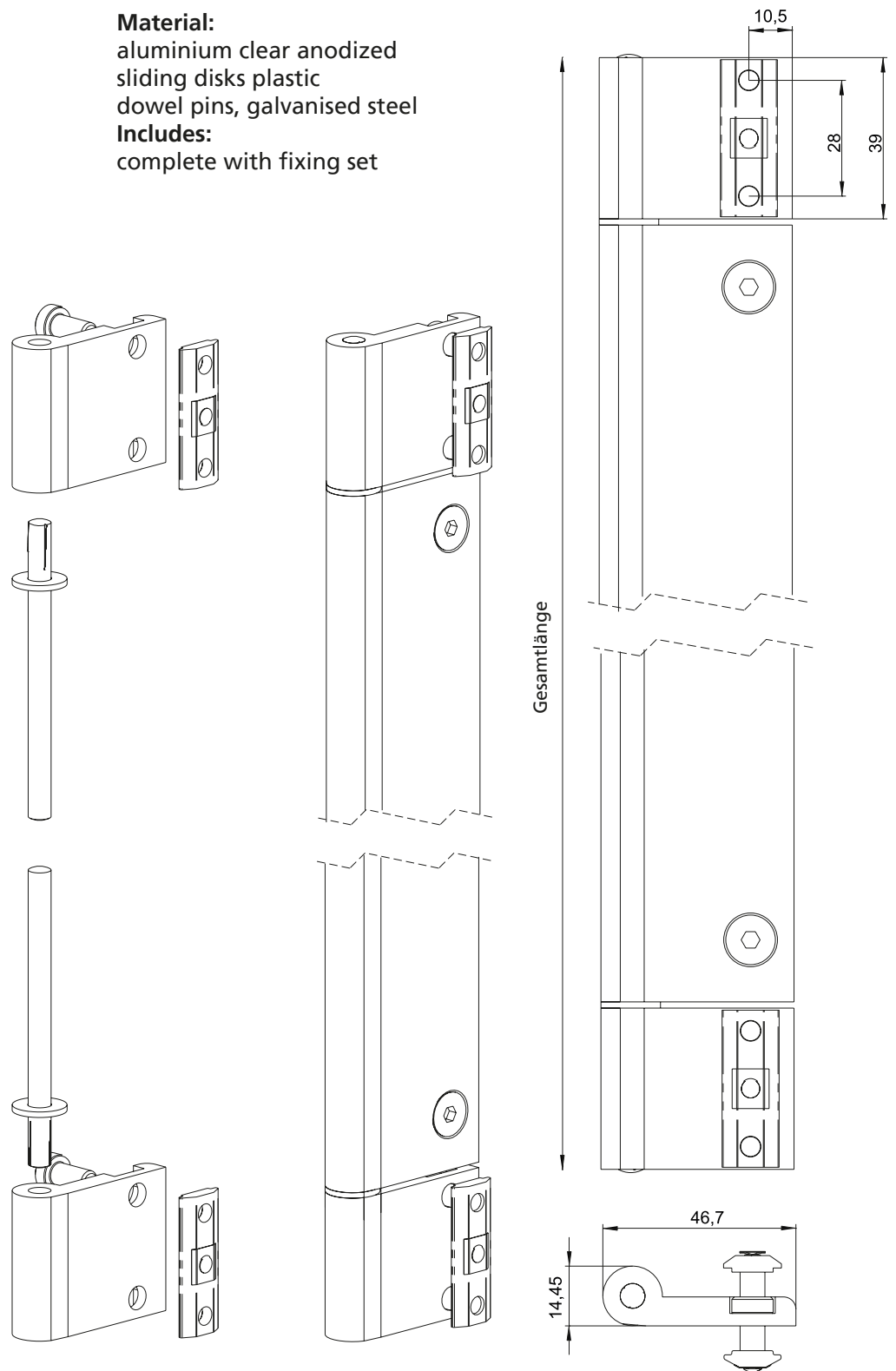
## Structural profiles

# Fittings

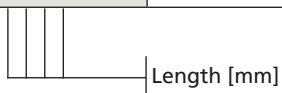
## Piano hinge

- Variable in length
- Taylor-made orderable

**Material:**  
aluminium clear anodized  
sliding disks plastic  
dowel pins, galvanised steel  
**Includes:**  
complete with fixing set



Code No.	Type	length	Max. length	Slot geometry
4010627	Band hinge complete	200	2500	40





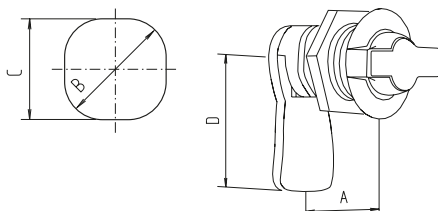
## Structural profiles

# Fittings

### Lever cylinder lock

- Complete with 2 keys. For locking lightweight doors and flaps

**Material:** Plastic, galvanised steel.

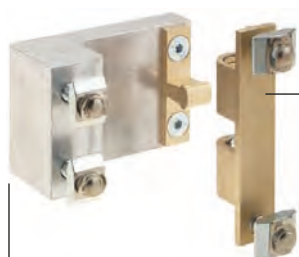


Code No.	Type	A	B	C	D
4016600	15	15	22.5	21	45
4026600	25	25	22.5	21	45

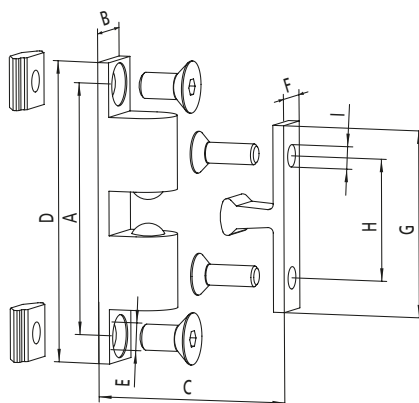
[mm]

### Ball catch

**Material:** Aluminium, brass  
**Fixing set:** Galvanised steel



Material:  
Brass



Door stop

Code No.	Type	A	B	C <sub>min</sub>	D	E	F	G	H	I
4010606	Without door stop	48.5	11.8	15.8	58	5.3	8.6	36	23.5	4.3
4000608	With door stop for fixing profile 30 to 30									
4010607	With door stop for fixing profile 30 to 40									
4010608	With door stop for fixing profile 40 to 40									
4000609	With door stop for fixing profile 50 to 30									
4010609	With door stop for fixing profile 50 to 40									

[mm]

## Magnetic lock

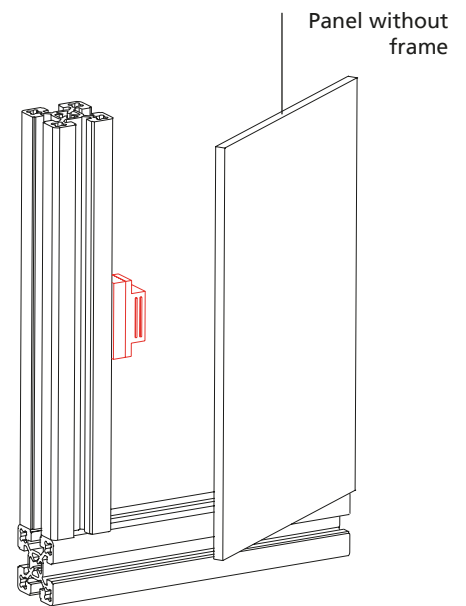
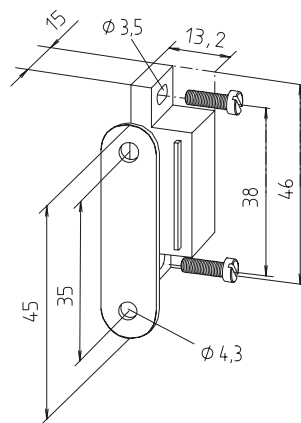
- Suitable from profile size 40
- Complete with fixing set

**Material:**  
Aluminium, plastic, galvanised steel

Magnetic lock with striker –  
Installed in panel without frame



Magnetic lock with striker –  
Installed in panel with frame



Code No.	Profile assembly	Installation	Sim. to fig.
4010605	All, except 30	Without frame	1
4010604	All, except 30	Profiles centr.	2
4000610	30 to 30	Profiles centr.	2
4010611	40 to 30	Profiles centr.	2
4010612	40 to 30	Profiles flush	3
4080603	50 to 30	Profiles flush	3
4080606	50 to 40	Profiles centr.	2
4080604	50 to 40	Profiles flush	3

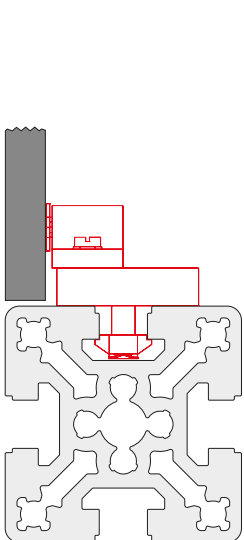


Fig. 1

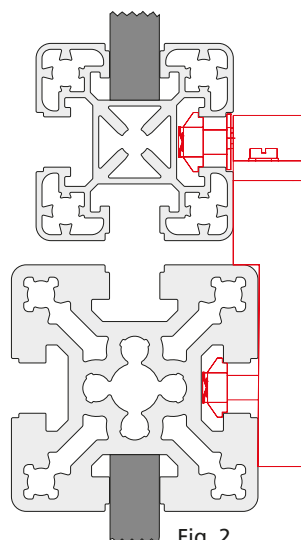


Fig. 2

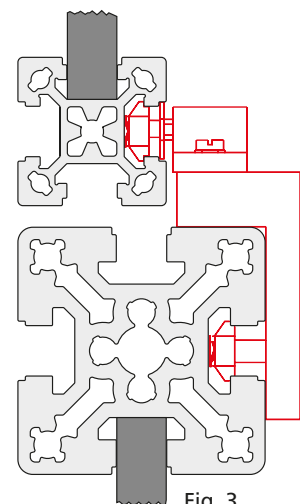


Fig. 3

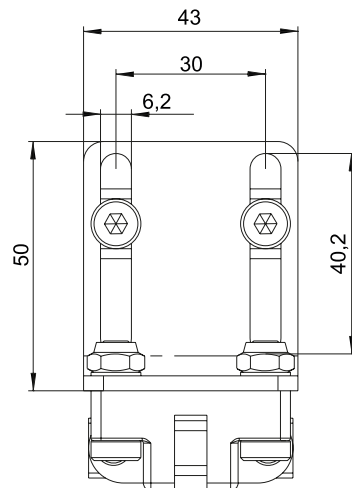
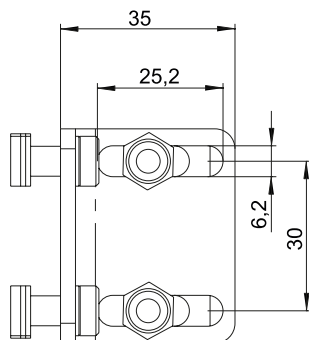
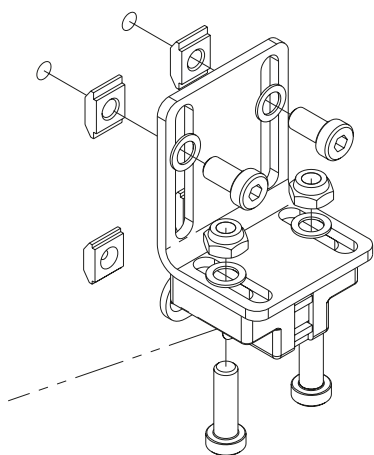
## Structural profiles

# Fittings

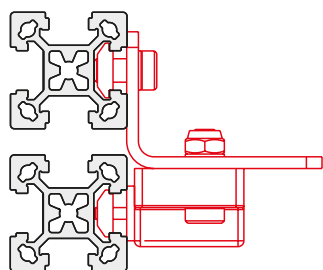
### Magnetic lock universal

- Suitable from profile size 30 for all assembly versions
- Holding force 10/20 N depends on mounting direction

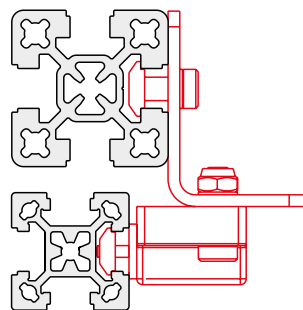
**Material:**  
polyamide glasfibre reinforced  
steel parts zincplated



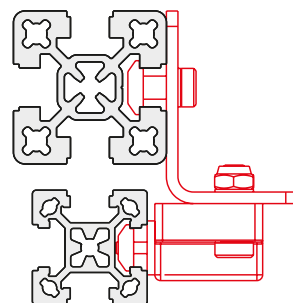
#### • Assembly versions



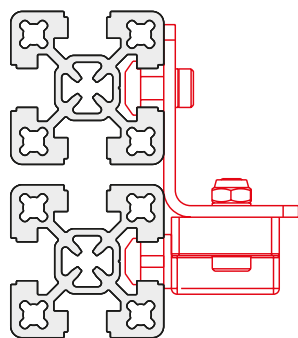
30 to 30 - Profile



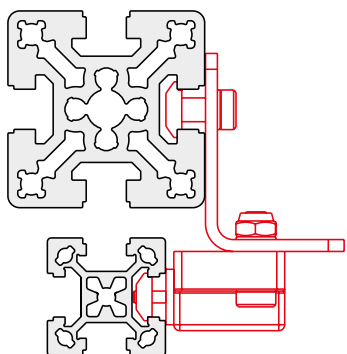
30 to 40 - Profile flush



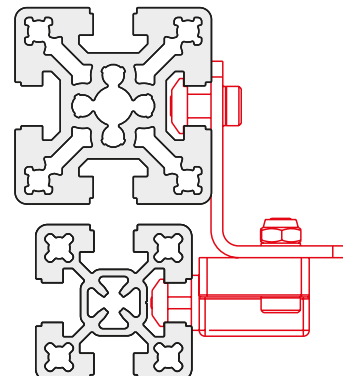
30 to 40 - Profile centred



40 to 40 - Profile



30 to 50 - Profile centred



40 to 50 - Profile centred

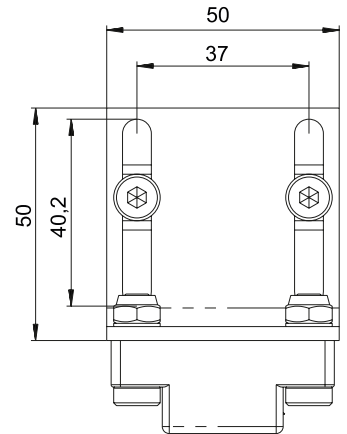
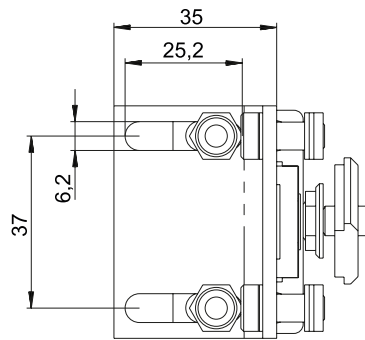
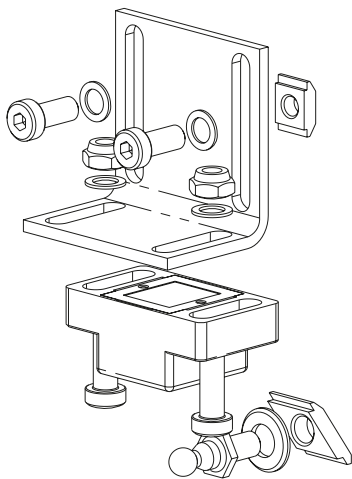
Code No.	Type	Slot geom.
4010625	Magnetic lock universal with fixing set	30/40
4010626	Magnetic lock universal without fixing set	—



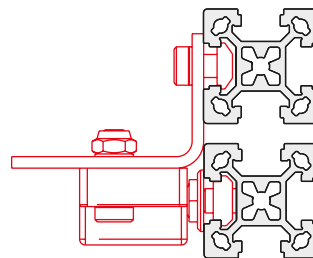
### Ball catch universal

- Suitable from profile size 30 for all assembly versions
- Holding force 50 N

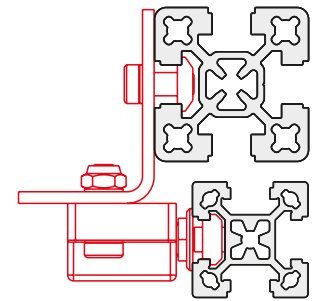
**Material:**  
polyamide glasfibre reinforced  
steel parts zincoated



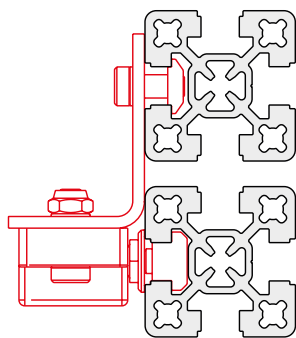
- Assembly versions



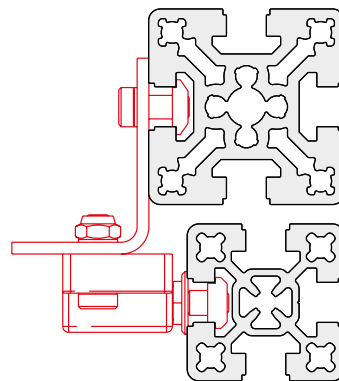
30 to 30 - Profile



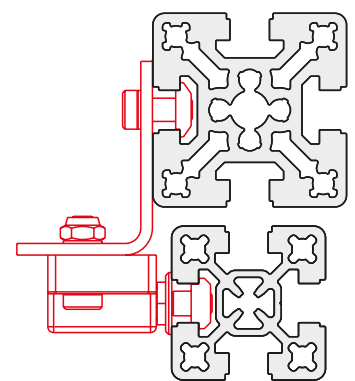
30 to 40 - Profile flush



40 to 40 - Profile



40 to 50 - Profile flush



40 to 50 - Profile centred

Code No.	Type	Slot geom.
4010630	Ball catch universal with fixing set	30/40
4010631	Ball catch universal without fixing set	—

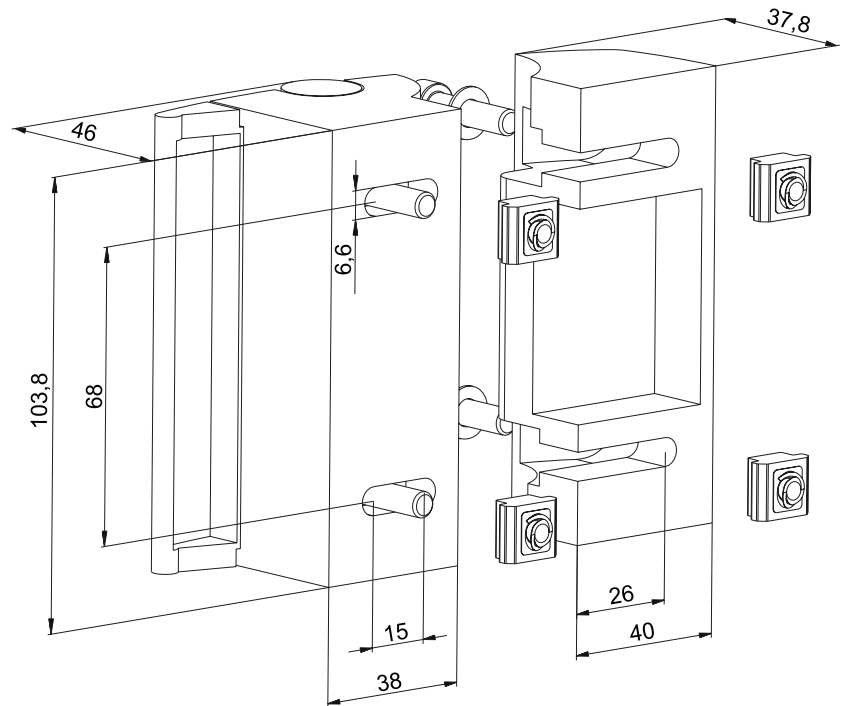
## Structural profiles

# Fittings

## Slam Latch PRO

**Material:** die-cast aluminium  
black powder-coated

**Includes:**  
complete with fixing set.



Code No.	Slot geometry
401A530	40

[mm]

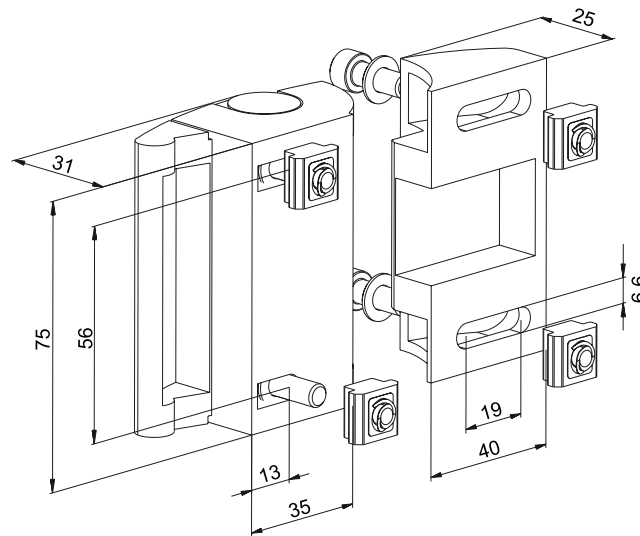




## Slam Latch Compact

**Material:** die-cast aluminium  
black powder-coated

**Includes:**  
complete with fixing set.



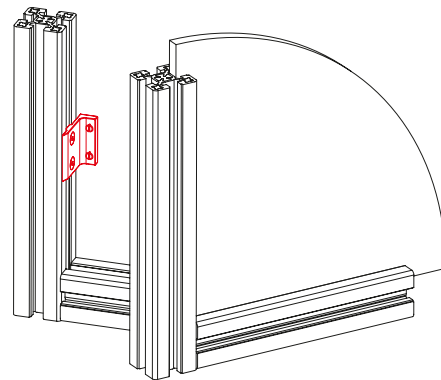
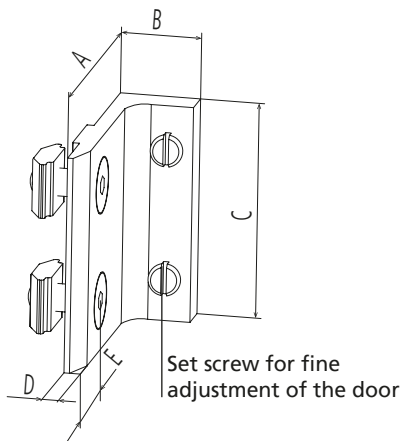
[mm]	
Code No.	Slot geometry
401A531	40

## Structural profiles

# Fittings

## Door stopper

**Material:** Black plastic,  
galvanised steel  
Complete with fixing set:



Code No.	Slot geometry	A	B	C	D	E
4008650	30	34	14.7	40	3	11
4018650	40	44	14.7	40	3	16

[mm]

## Handle

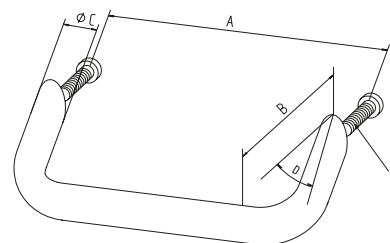
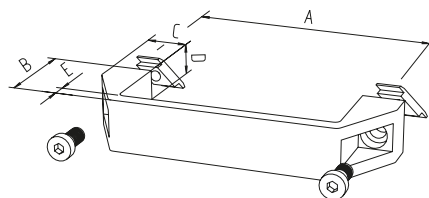
**Material size 150 and 197:**  
PP plastic  
**Material size 152:**  
Black anodised aluminium  
Complete with fixing set:  
Aluminium



Size 150 and 197



Size 152



Code No.	Size	Slot geometry	A	B	C	D	E
4005596	152	Drill	128	50	20	35°	M6x30
4015598	152	Drill	128	50	20	35°	M6x40
4008596	150	30	132	44	21	27	7
4015596	150	40	132	44	21	27	7
4015597	197	40	179	50	22	28	7

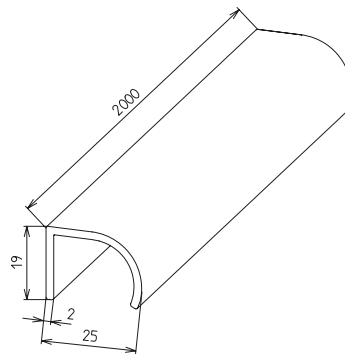
[mm]

## Handle profile



- The elegant handle profile is supplied as bar material and can be cut to length as required. The customer must drill the fixing holes.

**Material:** Aluminium

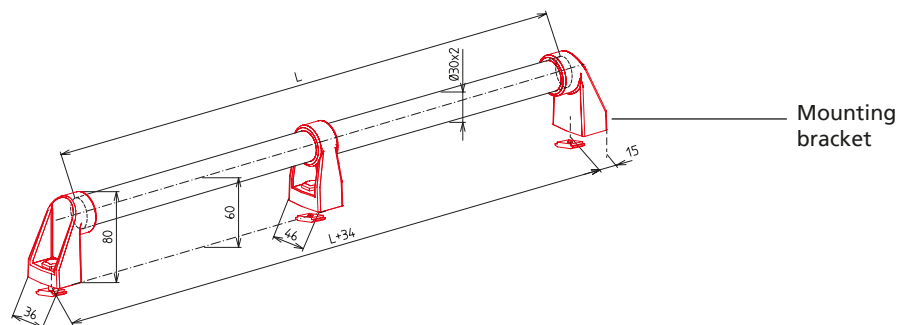


Code No.	Type
4015595	Handle profile, 2000 mm bar

## Handle/Handrail

- This handle/handrail can be retrospectively fixed to the profile slot using slot stone -R-. An anodised aluminium tube, available to cut to length or as bars, serves as the grip surface. For tube lengths above 1000 mm, a central mounting bracket is recommended.

**Material:**  
Black plastic mounting brackets,  
galvanised fastenings.  
Aluminium tube



Central mounting bracket recommended as of  $L > 1000$  mm

Code No.	To slot geometry	Type
4018501	40	2x mounting brackets, $L < 1000$ mm
4018502	40	2x mounting brackets, 1x central mounting bracket, $L > 1000$ mm

Code No.	Type
823020 2 0500	Aluminium tube, $\text{Ø}30 \times 2$ L=500 mm
823020 2 1000	Aluminium tube, $\text{Ø}30 \times 2$ L=1000 mm
823020 2 2000	Aluminium tube, $\text{Ø}30 \times 2$ L=2000 mm
823020 2	Cut to length aluminium tube $\text{Ø}30 \times 2$ , $L_{\text{max}} = 6000$ mm

Length [mm]

**Structural profiles**

# Fittings

## Safety switch AZ 15zvr

- For safely switching off circuits
- Suitable for hinged, flap, sliding and lifting doors
- **Technical data:**  
Self-extinguishing, fibreglass reinforced thermoplastic

**Actuator key:**  
Stainless spring steel

**Degree of protection:**  
IP67 to IEC 529/EN 60529/DIN VDE 0470-1

**Contact material:** Fine silver

**Contact type:** One-pin, double-breaking, positively driven NC to VDE 001

**Pivot radius:**  $R_{min} 450\text{ mm}$

**Rated isolation voltage:**  
VI 500 V approx. 25-60 Hz.

**Constant current:** 10 A

Rated operating current Iu AC 11h

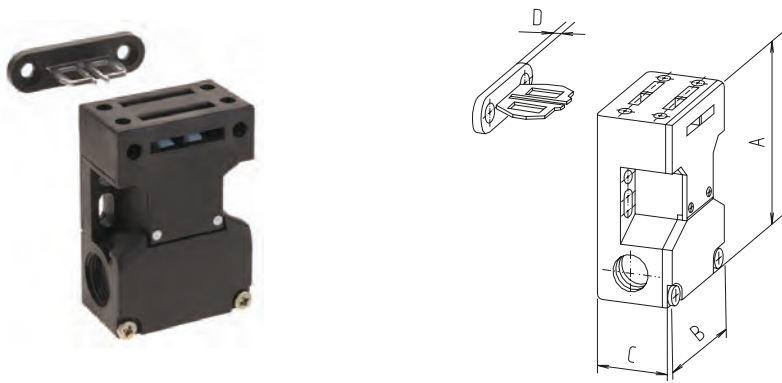
4 A (230V), 2.5 A (380 V), 1A (500 W)

**Short circuit resistance:**  
10 A (slow) 16 A (fast).  
Contact gap 2 x 3 mm.

**Positive opening travel/force:**  
8 mm / approx. 30 N

**Mech. lifetime:**  
10x10<sup>6</sup> switching cycles

**Operating temperature:**  
-30 to +80°C.



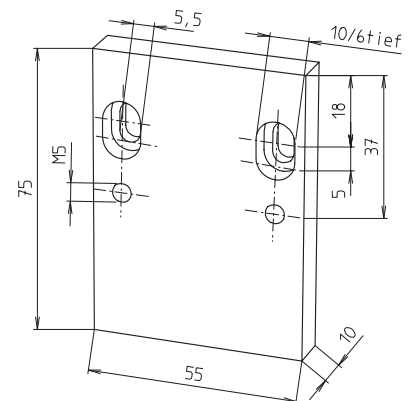
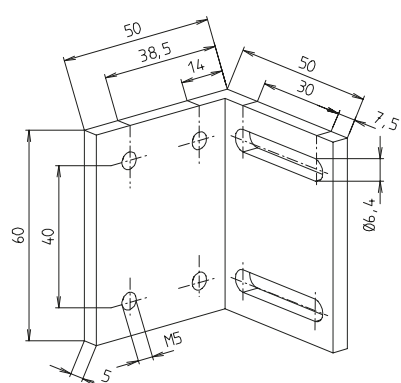
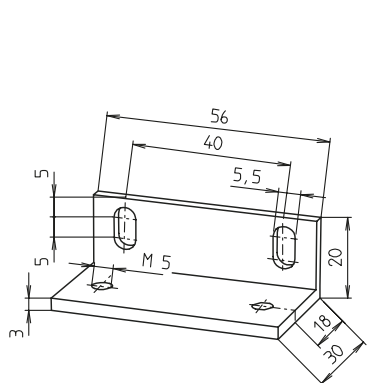
Code No.	Type	A	B	C	D
4010610	AZ 15 zvr for sliding door / lifting door	72	52	30	5
4010613	AZ 15 zvr for sliding door	72	52	30	5
4010614	AZ 15 zvr for flap door	72	52	30	5
4015610	Fixing set for sliding door, hinged door	Fig. 1, 2, 3		40 slot geometry	
4015602	Fixing set for lifting door	Fig. 4			

[mm]

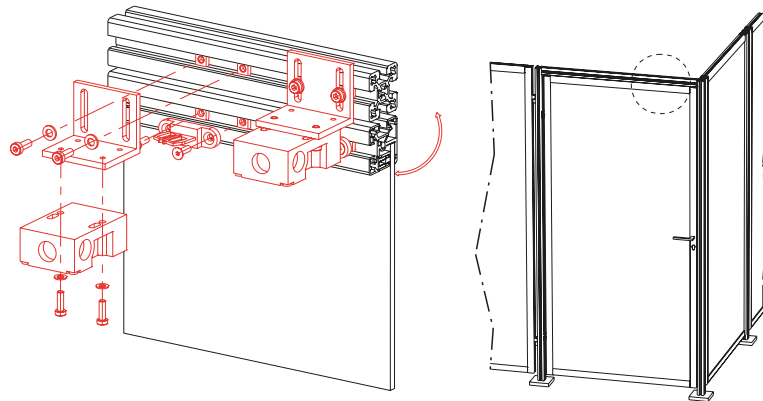
Further fixing sets available on request

Fixing set for sliding and hinged door. Vibration finished aluminium. See fig. 1-3 on the next page.

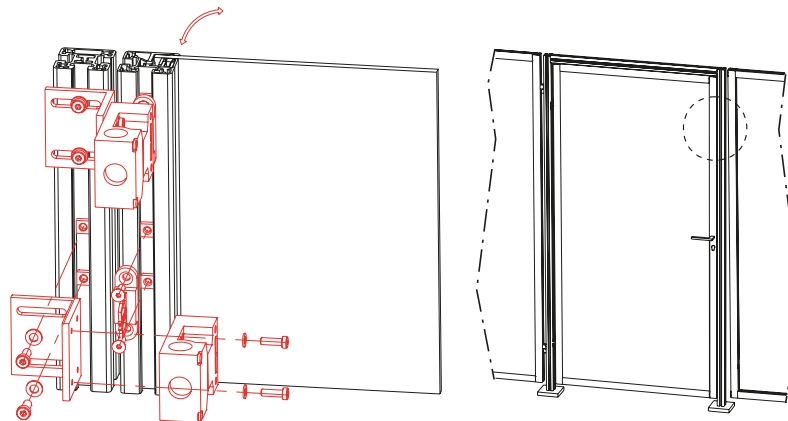
Fixing set for lifting door See fig. 4 on the next page.



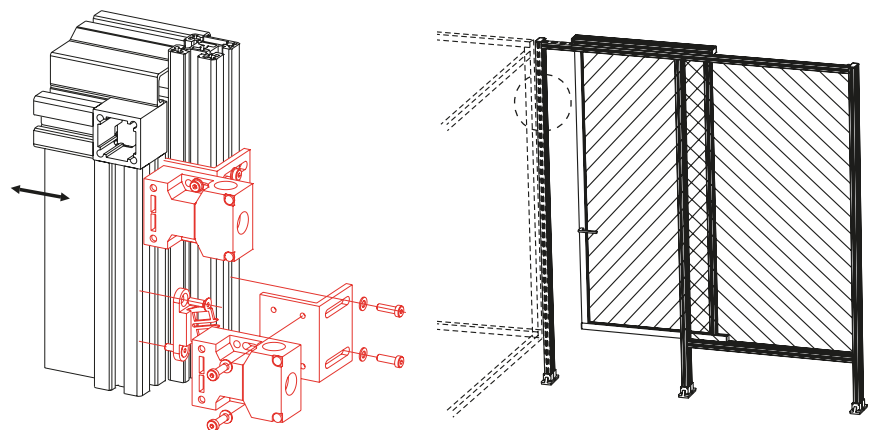
**Fig. 1: Hinged door**  
Fixing AZ 15 zvr to the top strut  
(40-40)



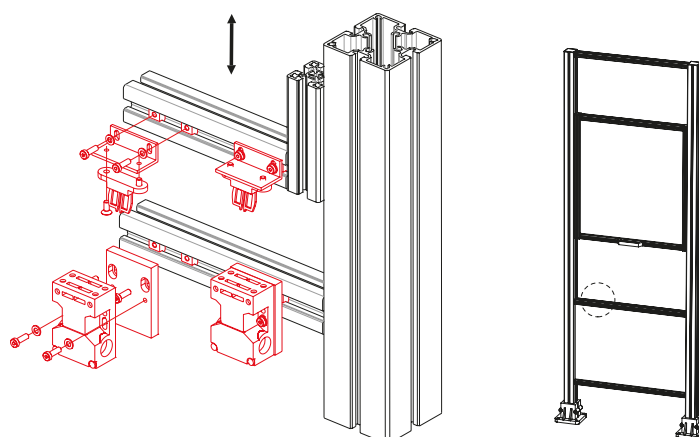
**Fig. 2: Hinged door**  
Fixing AZ 15 zvr to the side strut  
(40-50)



**Fig. 3: Sliding door**  
Fixing AZ 15 zvr to the side strut  
(50-40)



**Fig. 4: Lifting door**  
Fixing AZ 15 zvr to the cross strut  
(40-40)



**Structural profiles**

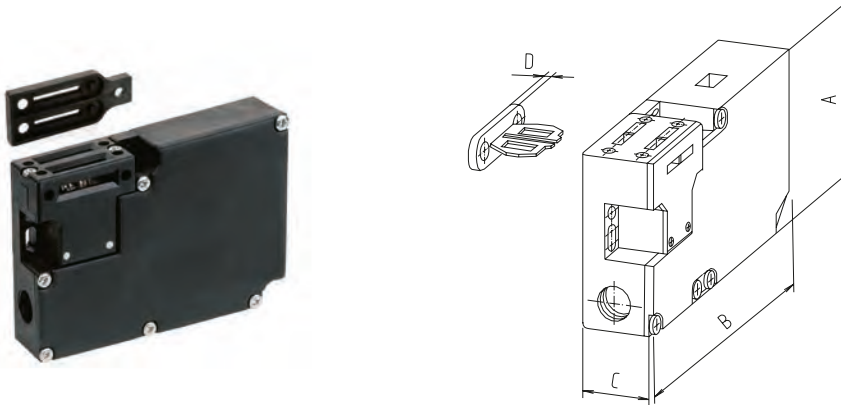
**Fittings**

**Safety switch AZM 161**

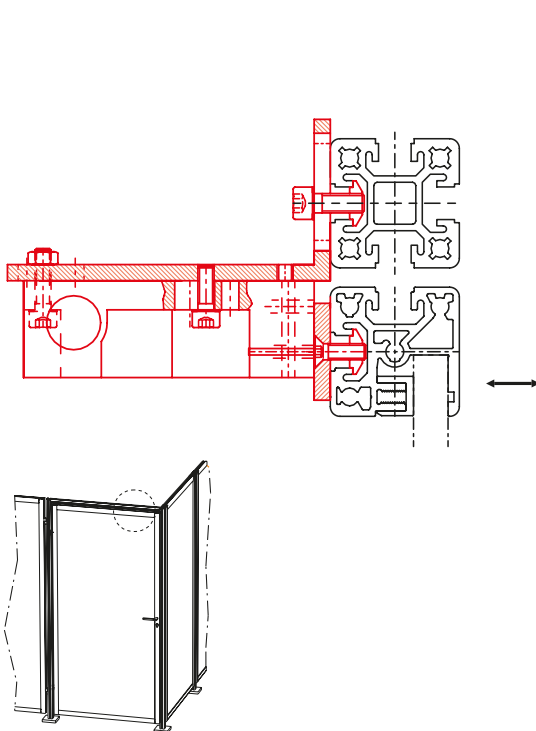
- For safely switching off circuits. Suitable for hinged, sliding and lifting doors.

**Technical data:**  
 Self-extinguishing fibreglass-reinforced thermoplastic.  
**Degree of protection:** IP67 to IEC 529/EN 60529/DIN VDE 0470-1  
**Contact type:** One-pin, double-breaking, positively driven NC to VDE 001, additional contacts for signal purposes  
**Pivot radius:**  $R_{min}$  900 mm

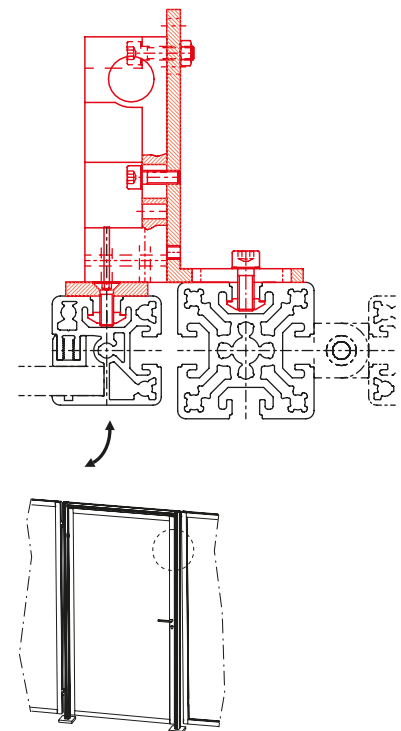
**Constant current:** 10 A Rated operating current Iu AC 11h 2 A (230 V)  
**Short circuit resistance:** 6 A (slow) as positively driven NC position switch  
**Contact type:** One-pin, double-breaking, positively driven NC to VDE 001, additional contacts for signal purposes  
**Pivot radius:**  $R_{min}$  900 mm  
**Constant current:** 10 A Rated operating current Iu AC 11h 2 A (230 V)  
**Short circuit resistance:** 6 A (slow) as positively driven NC position switch  
**Positive opening travel/force:** 8.8 mm / 10 N  
**Locking force Fmax:** 2000 N  
**Mech. lifetime:**  $>10 \times 10^6$  switching cycles  
**Operating temperature:** -25 to +60°C.



Code No.	Type	A	B	C	D
4010650	Switch AZM 161, for sliding door/lifting door/hinged door	90	130	30	5



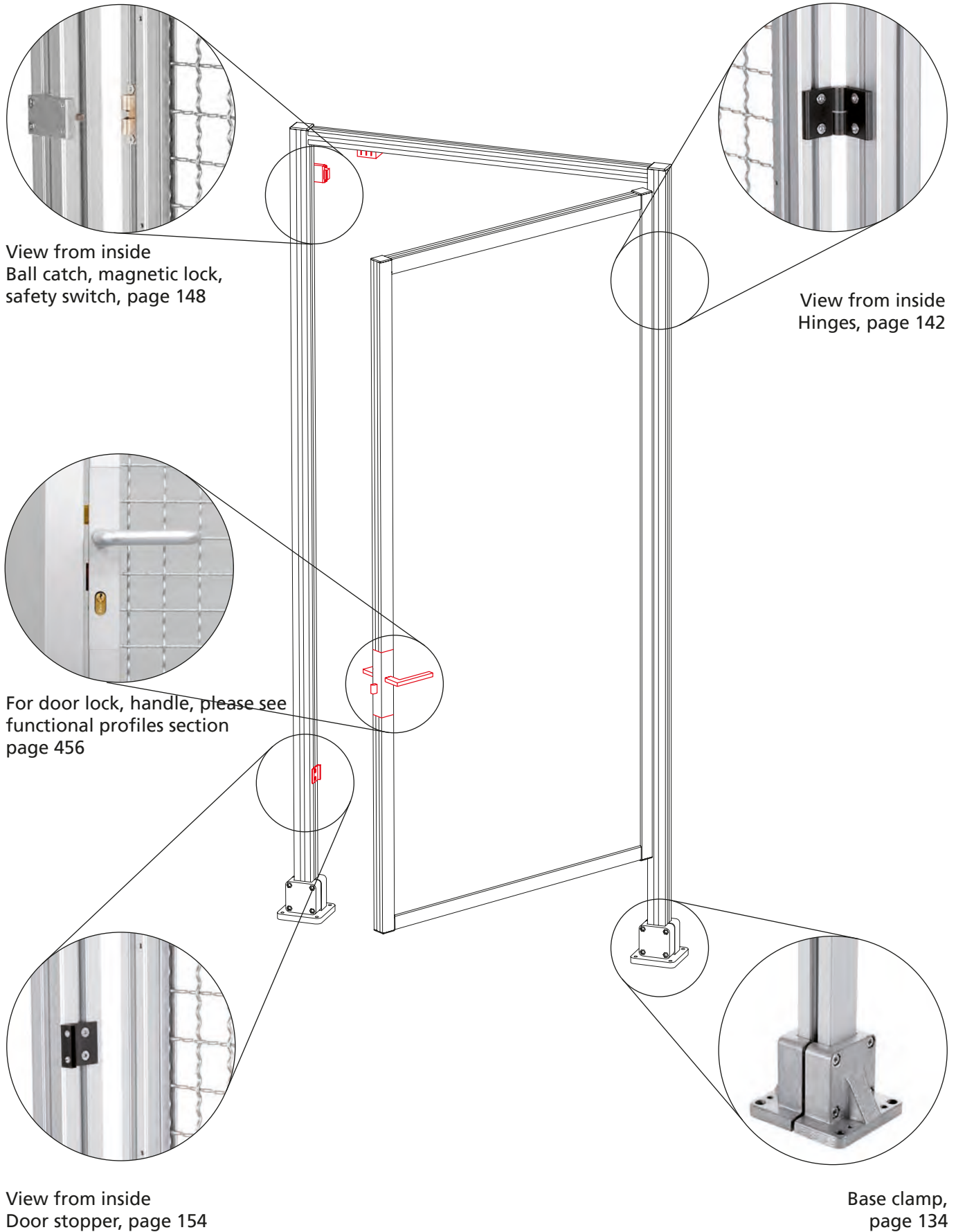
**Fig. 1: Hinged door**  
 Fixing AZM 161 to the top strut (40-40)



**Fig. 2: Hinged door**  
 Fixing AZM 161 to the side strut (40-50)



## Fittings



View from inside  
Ball catch, magnetic lock,  
safety switch, page 148

View from inside  
Hinges, page 142

For door lock, handle, please see  
functional profiles section  
page 456

View from inside  
Door stopper, page 154

Base clamp,  
page 134

# Conveying elements and pneumatics

## Versions

### Conveying elements



Conveyor rollers



Conveyor drums



Sliding piece

### Pneumatics



Pneumatic connection



Pneumatic connecting plate





## Table of contents

<b>Conveying elements</b>	Conveyor rollers ..... p. 162
	Conveyor drums ..... p. 162
	Sliding piece ..... p. 163
<b>Pneumatics</b>	Pneumatic connection ..... p. 164
	Pneumatic connecting plate..... p. 165

**Structural profiles**

**Conveying elements**

**Conveyor rollers**

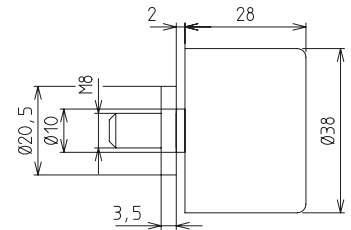
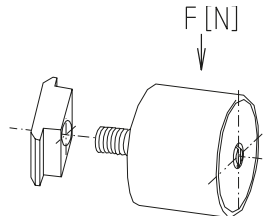
- Version with or without flange. The rollers can be fixed to the longitudinal profile slots without any difficulty. For assembling carriages or conveyor belts.

**Material:** Plastic with ball bearing.

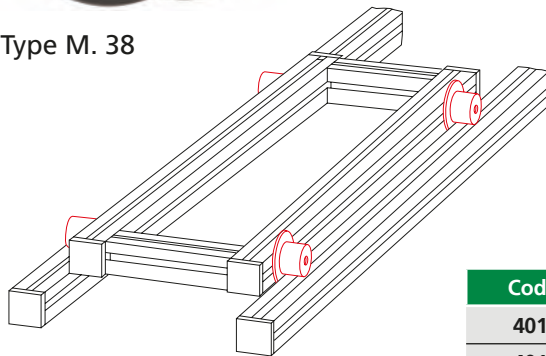
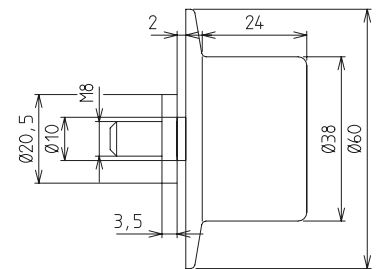
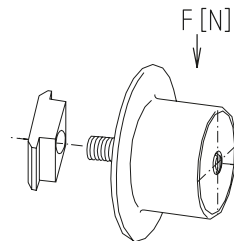
**Includes:** Complete with fixing set.



Type O. 38



Type M. 38



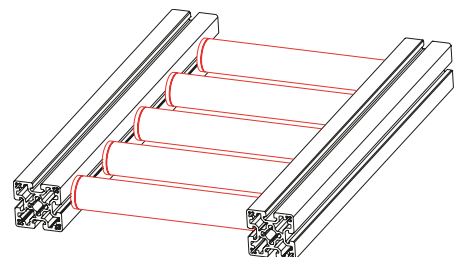
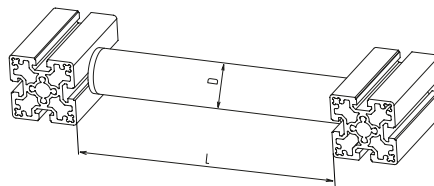
Code No.	Type	Slot geometry	F [N]
4010640	O. 38	40	100
4010641	M. 38	40	100

**Conveyor drums**

- Standard length 500 mm. Other lengths available on request.

**Material:** Plastic with plastic ball bearings.

**Includes:** Complete with fixing set.



Code No.	Type	D	L	Slot geometry	F [N] in relation to 500 mm
4018641	40	40	500	40	100
4018640	50	50	500	40	150

[mm]

## Sliding piece

- For easy, low-wear moving of parts in a profile frame (sliding doors, lifting doors).
- A "centred" and an "off-centred" version are available. The sliding piece is available ready to install including set screws and as bars.

**Material:** Black plastic

**Includes:**  
See table/version



Fig. 1

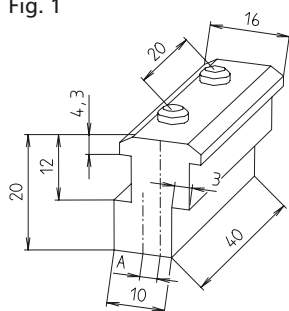
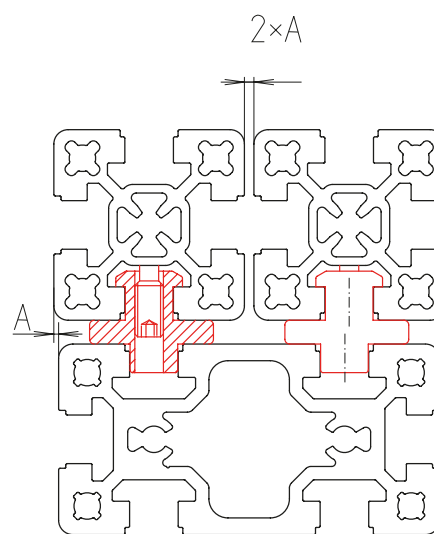
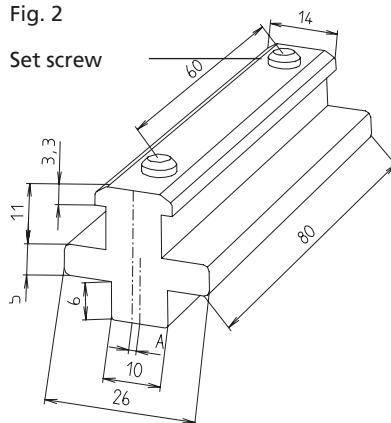


Fig. 2

Set screw



Code No.	Type	Version	Fig.	A
4018644	Centred sliding piece	Complete, 40 slot geometry	2	0
4018645	Centred sliding piece	2000 mm bar	2	0
4018646	Off-centred 1 mm sliding piece	Complete, 40 slot geometry	1	1
4018647	Off-centred 1 mm sliding piece profile	2000 mm bar	1	1
4018648	Off-centred 3 mm sliding piece	Complete, 40 slot geometry	1	3
4019236	Set screw M6x18 DIN 913	Corrosion-resistant		

[mm]

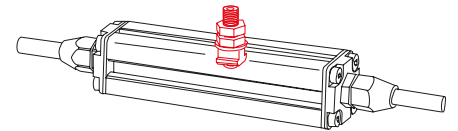
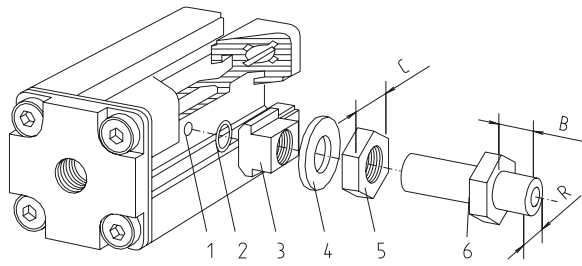
# Pneumatics

## Pneumatic connection



**Assembly:** Mark the desired position with the aid of the template (see page 482) and drill a hole with a 4 mm drill (1). Place the O ring (2) on the bore hole (6) and then push the slot stone (3) in the slot from the side, directly onto the bore hole. Then hand-tighten the screw in the slot stone (3) and lock it with the nut (5) and washer (4).

**Material:** Galvanised steel slot stone, brass screw connection. Connecting option in the slot of coupling sockets, plugs or screw connections.



[mm]				
Code No.	Connection	R	B	C
4010415	R1/8"	R1/8"	12	17
4010416	With hose coupling - automatic stop			



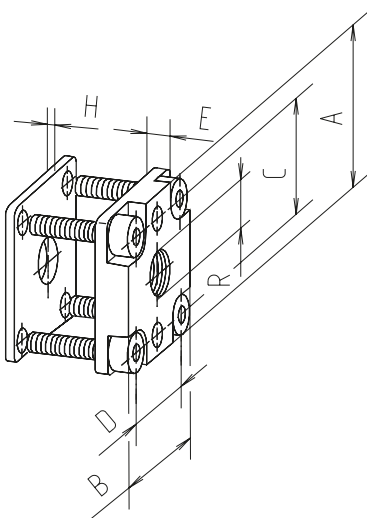
### Pneumatic connecting plate

- Connection to the front profile surfaces, for compressed air supply or consumer systems.

**Material:** Die-cast aluminium

**Includes:** Complete with seal and screws.

**Fixing:** Galvanised steel



[mm]

Code No.	Type	Connection	A	B	C	D	E	R	H
4044411	80x80, F-80x80-L	R1/4"	80	80	68	68	8	R1/4"	2
4044412	80x80, F-80x80-L	R1/2"	80	80	68	68	8	R1/2"	2

Structural profiles

# Cable channel system

## Versions



Profiles



Spring strips



Channel assembly clip



Cover plate



End cover for cable outlet



Grommet for cable outlet



Membrane grommet for cable outlet



Cable tie base



Separating strip



Assembly strip



Edge protection



Equipotential bonding



Self tapping screw



## Table of contents

<b>Cable channel system</b>	Funktionalität/Assembly/Routing ..... p. 168
	Profiles ..... p. 169
	Spring strips ..... p. 170
	Channel assembly clip ..... p. 170
	Cover plate ..... p. 170
	End cover for cable outlet ..... p. 170
	Grommet for cable outlet..... p. 170
	Membrane grommet for cable outlet..... p. 170
	Cable zie base..... p. 171
	Separating strip..... p. 171
	Assembly strip..... p. 171
	Edge protection..... p. 171
	Equipotential bonding..... p. 171
	Self tapping screws ..... p. 171

## Structural profiles

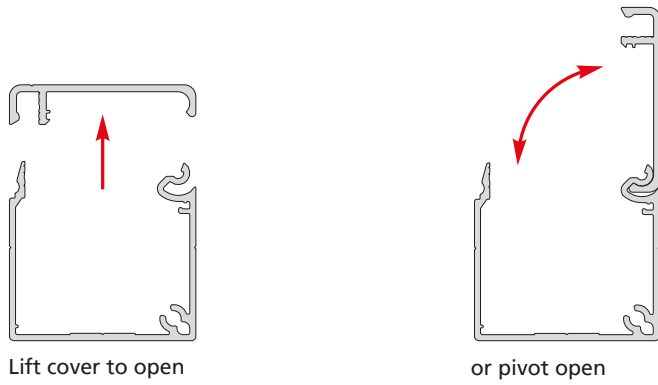
# Cable channel system

### Channel functionality

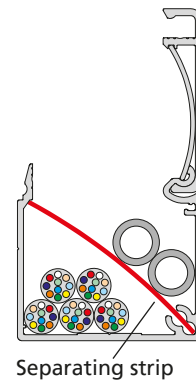
- Aluminium cable channel in sizes 40x40, 40x80 and 80x40

- Smooth and scratch-resistant easy to clean anodised surface

Easy to open / excellent accessibility

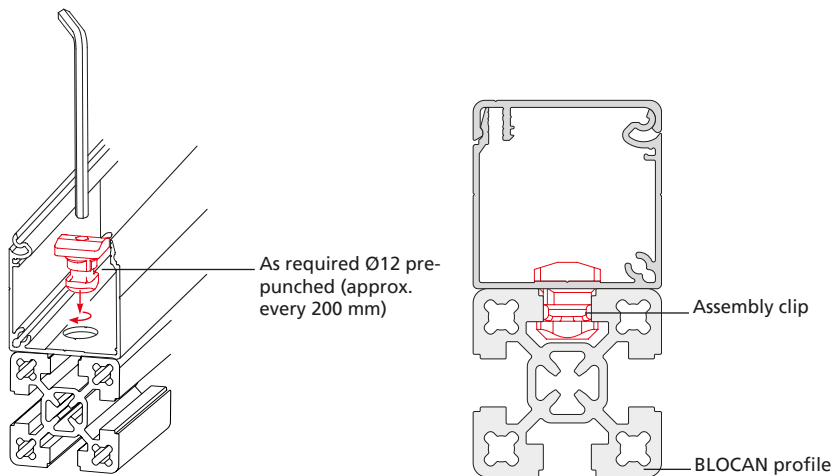


Arrangement in channel with optional separating strips

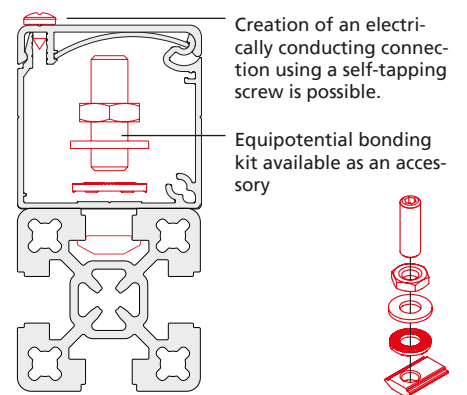


### Assembling the channel

Easy assembly (without machining) with BLOCAN profiles

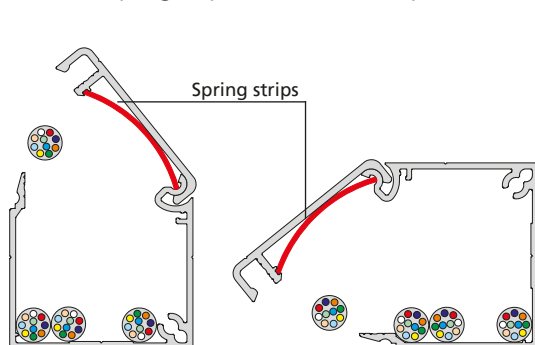


Equipotential bonding

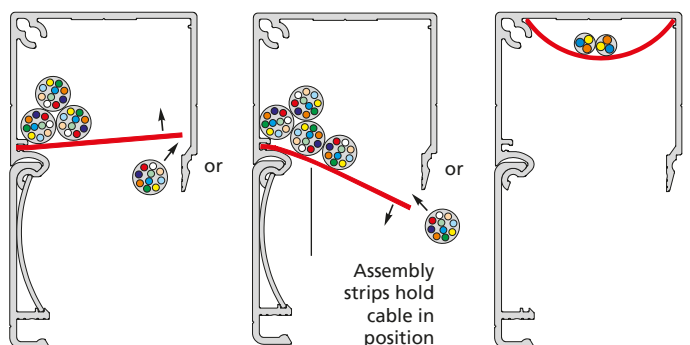


### Cable arrangement

Insertable spring strips hold the cover in position



Assembly strips facilitate overhead assembly

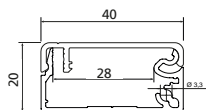






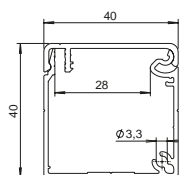
## Cable channel profiles

### Profil KK-40x20



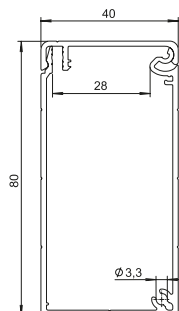
Code No.	Profile	Type	Weight
4F55A01	KK-40x20, 6 m bar	With fixing holes	0,609 kg/m
4F55A00	KK-40x20, cut to size		
4F55001	KK-40x20, 6 m bar	Without fixing holes	0,611 kg/m
4F55000	KK-40x20, cut to size		

### Profile KK-40x40



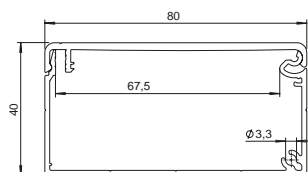
Code No.	Profile	Type	Weight
4E15A01	KK-40x40, 6 m bar	With fixing holes	0.745 kg/m
4E15A00	KK-40x40, cut to size		
4E15001	KK-40x40, 6 m bar	Without fixing holes	0.747 kg/m
4E15000	KK-40x40 cut to size		

### Profile KK-40x80



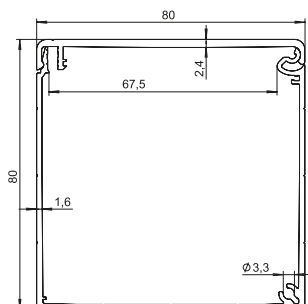
Code No.	Profile	Type	Weight
4E35A01	KK-40x80, 6 m bar	With fixing holes	1.152 kg/m
4E35A00	KK-40x80, cut to size		
4E35001	KK-40x80, 6 m bar	Without fixing holes	1.155 kg/m
4E35000	KK-40x80 cut to size		

### Profile KK-80x40



Code No.	Profile	Type	Weight
4E25A01	KK-80x40, 6 m bar	With fixing holes	1.290 kg/m
4E25A00	KK-80x40, cut to size		
4E25001	KK-80x40, 6 m bar	Without fixing holes	1.292 kg/m
4E25000	KK-80x40 cut to size		

### Profile KK-80x80



Code No.	Profile	Type	Weight
4F15A01	KK-80x80, 6 m bar	With fixing holes	1.690 kg/m
4F15A00	KK-80x80, cut to size		
4F15001	KK-80x80, 6 m bar	Without fixing holes	1.693 kg/m
4F15000	KK-80x80 cut to size		

## Structural profiles

# Cable channel system

### Order instruction:

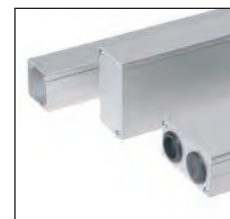
- Purchase only in lot sizes and a multiple of that see product table below



Spring strips hold the cover open in any position



Quick and easy assembly with a fixing clip



Cover plates and outlets as required

### Spring strips for cover



Code No.	Type	lot sizes	Material
4E185041	KK 40x20, KK 40x40 KK 40x80	10, 20, 30... pcs	Plastic
4E285011	KK 80x40 KK 80x80	10, 20, 30... pcs	Plastic

### Cable assembly clip



Code No.	Type	lot sizes	Material
4E185031	all	10, 20, 30... pcs	Plastic

### Cover plate



Code No.	Type	lot sizes	Material
4F555011	KK 40x20	6, 12, 18... pcs	Aluminium
4E155011	KK 40x40	6, 12, 18... pcs	
4E255011	KK 40x80, KK 80x40	6, 12, 18... pcs	
4F155011	KK 80x80	6, 12, 18... pcs	

### End cover for cable outlet



Code No.	Type	lot sizes	Material
4E155021	KK 40x40	6, 12, 18... pcs	Aluminium
4E255021	KK 40x80, KK 80x40	6, 12, 18... pcs	
4F155021	KK 80x80	6, 12, 18... pcs	

### Grommet for cable outlet



Code No.	Type	lot sizes	Material
4E185051	Outlet Ø 22mm	6, 12, 18... pcs	Z-PVC

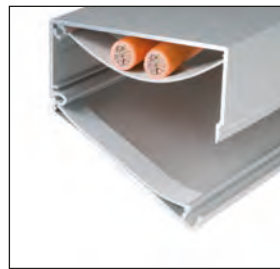
### Membrane grommet for cable outlet



Code No.	Type	lot sizes	Material
4E185021	40x40, 40x80, 80x40, 80x80	6, 12, 18... pcs	Plastic



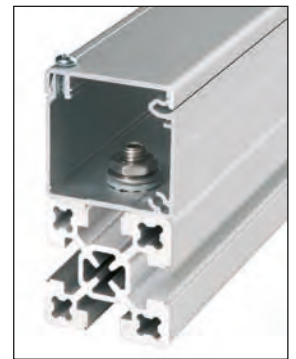
Leads can be separated with press-fit separating strips...



...or make overhead work easier.



Edge protection for inlets or outlets



Standard components make equipotential bonding easy

### Cable tie base \*



Code No.	Type	lot sizes	Material
4F185021	all	10, 20, 30... pcs	Plastic

\* May be used with channel assembly clip.

### Separating strip



Code No.	Type	lot sizes	Material
4E185061	KK 40x40	10, 20, 30... pcs	Plastic
4E285021	KK 40x80, KK 80x40	10, 20, 30... pcs	
4F185011	KK 80x80	10, 20, 30... pcs	

### Assembly strip



Code No.	Type	lot sizes	Material
4E185071	KK 40x20, KK 40x40, KK 40x80	10, 20, 30... pcs	Plastic
4E285031	KK 80x40	10, 20, 30... pcs	

### Edge protection



Code No.	Type	Material
4E18501	1 unit per 1 m	Plastic

### Equipotential bonding



Code No.	Type	lot sizes
4E16502	screw, slot stone, washers	-
4E165031	contact washer	100, 200, 300... pcs

### Self tapping screw



Code No.	Type	lot sizes
4E165011	ISO 7049 St. 3.5 x 9.5, Form f	10, 20, 30... pcs

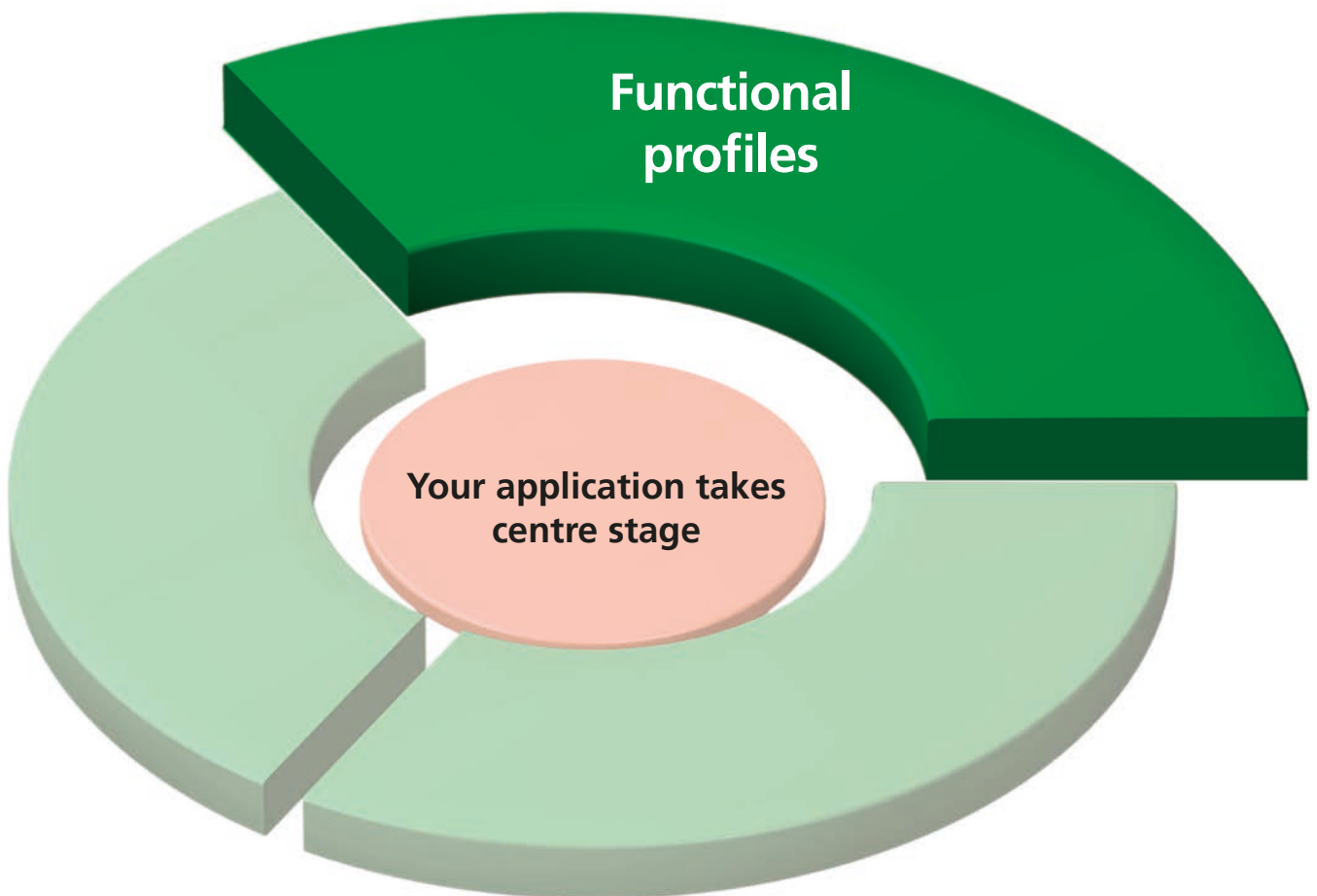
# Application examples





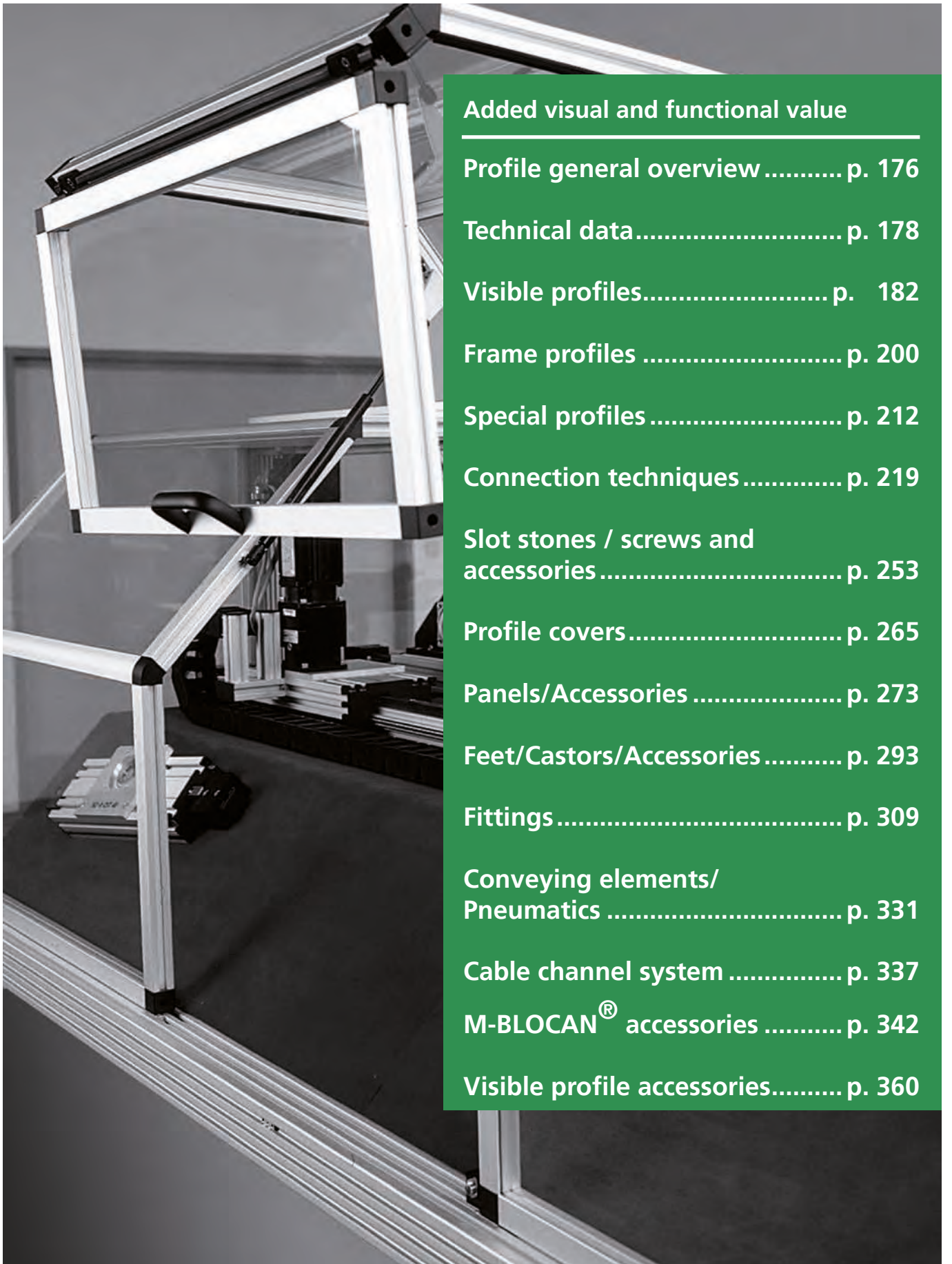
## Functional profiles

# Added visual and functional value



### Features:

- Attractive design
- Many functions
- Flexible



**Added visual and functional value**

**Profile general overview ..... p. 176**

**Technical data ..... p. 178**

**Visible profiles ..... p. 182**

**Frame profiles ..... p. 200**

**Special profiles ..... p. 212**

**Connection techniques ..... p. 219**

**Slot stones / screws and accessories ..... p. 253**

**Profile covers ..... p. 265**

**Panels/Accessories ..... p. 273**

**Feet/Castors/Accessories ..... p. 293**

**Fittings ..... p. 309**

**Conveying elements/  
Pneumatics ..... p. 331**

**Cable channel system ..... p. 337**




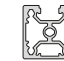




























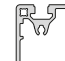
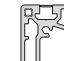
**M-BLOCAN<sup>®</sup> accessories ..... p. 342**

**Visible profile accessories ..... p. 360**










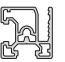











**Functional profiles**

# Functional profile overview






## Visible profiles Sizes

30	 <b>F-G 30x30</b> p. 182	 <b>F-GG 30x30</b> p. 182	 <b>F-2G 30x30</b> p. 183	 <b>F-3G 30x30</b> p. 183	 <b>W 30-30</b> p. 184	 <b>W 30-45</b> p. 184	 <b>W 30-60</b> p. 184	 <b>W 30-90</b> p. 185	 <b>F-R 30</b> p. 185			
40	 <b>F-G 40x40</b> p. 186	 <b>F-GG 40x40</b> p. 186	 <b>F-2G 40x40</b> p. 187	 <b>F-3G 40x40</b> p. 187	 <b>F-G 40x80</b> p. 188	 <b>F-GG 40x80</b> p. 188	 <b>G-40x40</b> p. 189	 <b>G-40x80</b> p. 189	 <b>W 40-30</b> p. 190	 <b>W 40-45</b> p. 190	 <b>W 40-60</b> p. 191	 <b>W 40-90</b> p. 191
50	 <b>F-G 50x50</b> p. 192	 <b>F-GG 50x50</b> p. 192	 <b>F-2G 50x50</b> p. 193	 <b>F-3G 50x50</b> p. 193	 <b>SP-50x50</b> p. 194							
60	 <b>F-G 60x60</b> p. 196	 <b>F-GG 60x60</b> p. 196	 <b>F-2G 60x60</b> p. 197	 <b>F-3G 60x60</b> p. 197								
80	 <b>F-G 80x80</b> p. 198	 <b>F-GG 80x80</b> p. 198	 <b>F-2G 80x80</b> p. 199	 <b>F-3G 80x120A</b> p. 199								

## Frame profiles Sizes



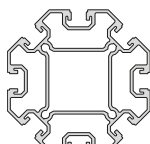
30	 <b>KL 30x30-3</b> p. 200	 <b>KLD 30x40</b> p. 201	 <b>KLE-30x30</b> p. 202	 <b>KLW 30x15</b> p. 202	 <b>KLW 30x30</b> p. 203	 <b>KLW 30x45</b> p. 203	 <b>KLW 30x60</b> p. 204	 <b>KLW 30x90</b> p. 204	 <b>ESP 30</b> p. 205	 <b>ESP 30/2</b> p. 205	 <b>STP 30</b> p. 206
40	 <b>KL 40x40-3</b> p. 206	 <b>KLD 40x40</b> p. 207	 <b>KLE 40x40</b> p. 207	 <b>KLW 40x15</b> p. 208	 <b>KLW 40x45</b> p. 209	 <b>KLW 40x60</b> p. 209	 <b>KLW 40x90</b> p. 210	 <b>ESP 40</b> p. 210	 <b>ESP 40/2</b> p. 211	 <b>STP 40</b> p. 217	

## Special profiles Sizes

15	 <b>15x40</b> p. 212	 <b>15x60</b> p. 212	 <b>15x80</b> p. 212	 <b>15x120</b> p. 213	 <b>15x160</b> p. 213
----	---	---	---	--	---

### 20 M-BLOCAN®

 <b>F-20x20</b> p. 214	 <b>F-20x40</b> p. 214	 <b>F-R 20</b> p. 214	 <b>F-G 20x20</b> p. 215	 <b>F-GG 20x20</b> p. 215	 <b>KL 20x20</b> p. 216	 <b>KLD 20x20</b> p. 216	 <b>KLE 20x20</b> p. 216
---	---	--	---	--	--	---	---

40	 <b>2x40</b> p. 217	 <b>3x40</b> p. 217	 <b>8x40</b> p. 217
----	--	--	--





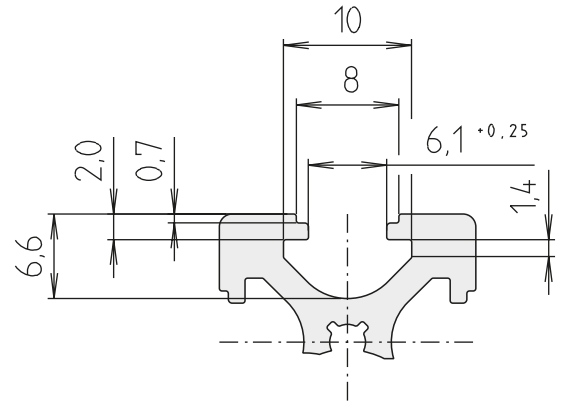
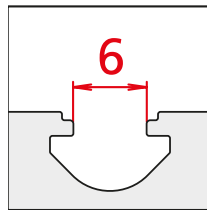
<b>Profiles</b>	Overview ..... p. 176
	Slot geometry ..... p. 178
	Load data ..... p. 179
	Visible profiles ..... p. 182
	Frame profiles..... p.200
	Special profiles ..... p. 212
<b>Connection techniques</b>	Right-angle connections ..... p. 219 - 238
	Cross connections ..... p. 240 - 243
	Angle connections..... p. 244 - 250
<b>Accessories</b>	Slot stones, screws ..... p. 253 - 263
	Profile covers ..... p. 265 - 270
	Panels ..... p. 273 - 290
	Feet, castors ..... p. 293 - 306
	Fittings ..... p. 309 - 319
	Conveying elements ..... p. 331 - 334
	Pneumatics ..... p. 335
	Cabel channel system ..... p. 336 - 341
<b>M-BLOCAN® (size 20 profiles)</b>	Flange bracket connection ..... p. 344
	Flange bracket adapter ..... p. 345
	Corner joint R/GG ..... p. 346
	Profile angle bracket..... p. 350
	Angle brackets..... p. 351
	Mitre joint -transversal- ..... p. 352
	Slot stone -B-/PLM ..... p. 353
	Screws ..... p. 353
	Profile joint..... p. 354
	Handle..... p. 354

## Functional profiles

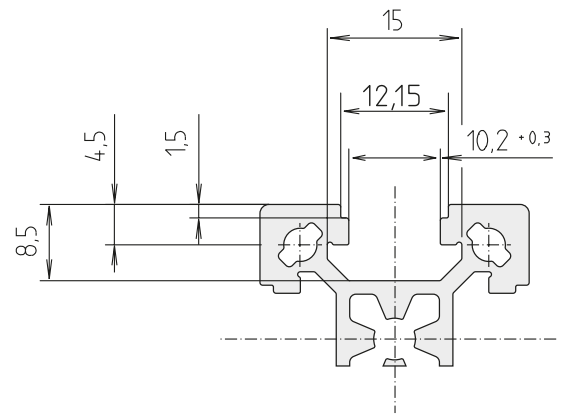
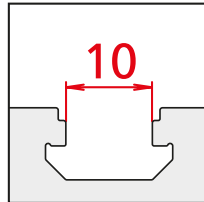
# Technical data functional profiles

## Slot geometry

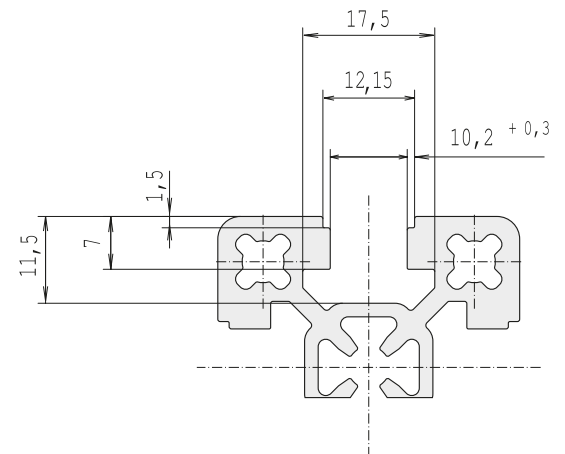
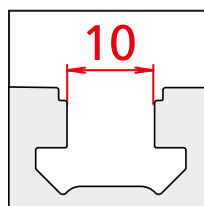
20 slot geometry  
For use with all size 20 profiles



30 slot geometry  
For all profiles up to size 30



40 slot geometry  
This geometry is found with all profiles as of size 40



## Load data

Moment of inertia: I [cm<sup>4</sup>]

Moment of resistance: w [cm<sup>3</sup>]

Profile	Area	I <sub>x</sub> [cm <sup>4</sup> ]	I <sub>y</sub> [cm <sup>4</sup> ]	W <sub>x</sub> [cm <sup>3</sup> ]	W <sub>y</sub> [cm <sup>3</sup> ]	Weight	Page
<b>Visible profiles</b>							
F-G 30x30	318	3.2	3.2	2.1	2.1	858	182
F-GG 30x30	317	3.2	3.2	2.1	2.1	858	182
F-2G 30x30	335	3.2	3.6	2.2	2.4	905	183
F-3G 30x30	335	3.5	3.6	2.2	2.4	932	183
F-R 30	271	2.1	2.1	1.2	1.2	730	185
F-G 40x40	636	9.7	9.8	4.8	4.9	1718	186
F-GG 40x40	611	10.1	10.1	4.8	4.8	1651	186
F-2G 40x40	543	9.3	9.4	4.6	4.7	1466	187
F-3G 40x40	539	9.7	9.8	4.8	4.9	1455	187
F-G 40x80	1220	20.9	82.3	10.4	20.6	3295	188
F-GG 40x80	1323	22.0	87.9	10.7	22.0	3565	188
G-40x40	696	10.5	10.5	5.2	5.2	1877	189
G-40x80	1145	18.7	78.5	9.3	19.6	3106	189
W 40-30	619	10.0	10.0	3.7	4.2	1674	190
W 40-45	620	9.7	9.8	3.4	4.2	1675	190
W 40-60	671	11.2	12.8	4.2	4.6	1812	191
W 40-90	797	22.0	22.0	7.4	7.4	2153	191
F-G 50x50	832	21.6	22.2	8.6	8.9	2247	192
F-GG 50x50	815	21.5	22.1	8.4	8.7	2200	192
F-2G 50x50	779	20.6	21.8	8.3	8.7	2103	193
F-3G 50x50	791	20.7	22.6	9.0	9.1	2137	193
SP-50x50	753	20.8	20.7	8.2	8.3	2033	194
F-G 60x60	1020	37.9	39.5	12.6	12.7	2757	196
F-GG 60x60	1001	38.1	39.0	12.5	12.8	2701	196
F-2G 60x60	956	36.2	39.1	12.1	13.0	2585	197
F-3G 60x60	981	36.5	41.2	11.9	13.7	2649	197
F-G 80x80	1710	135.5	139.3	34.8	33.0	4557	198
F-GG 80x80	1686			34.1	34.1	4497	198
F-2G 80x80	1656	133.4	140.1	33.3	35.0	4471	199
F-3G 80x120A	2896	213.3	467.8	52.8	77.9	7818	199

# Technical data functional profiles

## Load data

Moment of inertia: I [cm<sup>4</sup>]

Moment of resistance: w [cm<sup>3</sup>]

Profile	Area	Ix [cm <sup>4</sup> ]	Iy [cm <sup>4</sup> ]	Wx [cm <sup>3</sup> ]	Wy [cm <sup>3</sup> ]	Weight	Page
<b>Frame profiles</b>							
KL 30x30-3	293	2.3	2.7	1.5	1.8	917	200
KLD 30x40	436	5,5	3,8	2,7	2.5	1426	199
KLE 30x30	348	3.0	3.0	2.0	2.0	1179	202
KLW 30-15	405	3.3	2.5	1.4	1.9	853	202
KLW 30-30	641	9.7	7.4	3.1	4.4	852	203
KLW 30-45	405	3.3	2.4	1.2	1.8	845	203
KLW 30-60	357	3.3	3.5	1.7	1.5	966	204
KLW 30-90	640	9.7	7.2	2.7	4.1	1051	204
ESP 30x30	275	2.3	2.8	1.4	1.8	742	205
ESP 40x40/2	457	6.3	7.7	3.0	3.6	1234	211
STP 30	536	5.2	22.8	6.1	3.7	1448	206
KL 40x40-3	508	7.0	8.3	3.5	4.1	1596	206
KLD 40x40	612	10.0	8.3	4.1	5.5	1975	207
KLE 40x40	590	9.3	9.3	4.6	4.6	1914	207
KLW 40-15	402	3.1	2.4	1.1	1.7	1408	208
KLW 40-45	478	5.3	5.3	2.4	2.4	1764	209
KLW 40-60	572	9.6	10.7	3.8	3.3	1545	209
KLW 40-90	774	17.3	17.3	5.8	5.8	1767	210
ESP 40x40	405	6.1	7.3	2.7	3.5	1095	210
ESP 40x40/2	457	6.3	7.7	3.0	3.6	1234	211
STP 40	815	12.5	46.5	9.7	6.1	2199	211

## Load data

Moment of inertia: I [cm<sup>4</sup>]

Moment of resistance: w [cm<sup>3</sup>]

Profile	Area	I <sub>x</sub> [cm <sup>4</sup> ]	I <sub>y</sub> [cm <sup>4</sup> ]	W <sub>x</sub> [cm <sup>3</sup> ]	W <sub>y</sub> [cm <sup>3</sup> ]	Weight	Page
<b>Special profiles</b>							
15x40	421	0.8	6.6	1.3	3.3	1137	212
15x60	619	1.2	21.0	1.9	7.0	1670	212
15x80	823	1.7	47.8	2.5	11.9	2220	212
15x120	1213	2.4	154.9	3.6	25.8	3270	213
15x160	1602	3.1	359.0	4.8	44.9	4320	213
F-20x20	198	0.8	0.8	0.8	0.8	533	214
F-20x40	313	1.3	5.4	1.3	2.7	846	214
F-R 20	155	0.5	0.5	0.6	0.5	416	214
F-G 20	182	0.7	0.8	0.8	0.7	491	215
F-GG 20	167	0.7	0.7	0.7	0.7	450	215
KL-20	183	0.7	0.7	0.8	0.8	493	216
KLD-20	186	0.7	0.7	0.7	0.8	500	216
KLE-20	171	0.7	0.7	0.6	0.7	462	216
2x40	838	32.8	14.2	7.9	11.3	2262	217
3x40	1019	68.2	14.8	8.8	14.1	2751	217
8x40	1700	133.4	133.4	27.6	27.6	4590	217

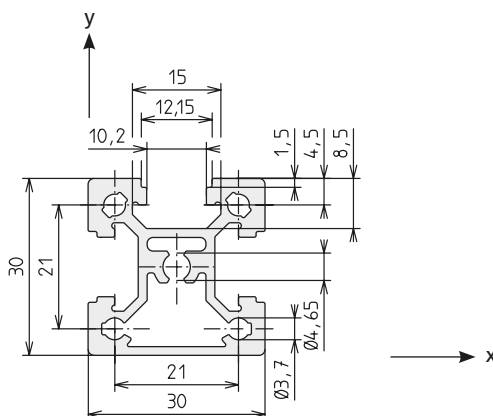
## Functional profiles

# Visible profiles / size 30

### Order instruction:



- Purchase only in lot sizes and a multiple of that see product table below

### F-G 30x30

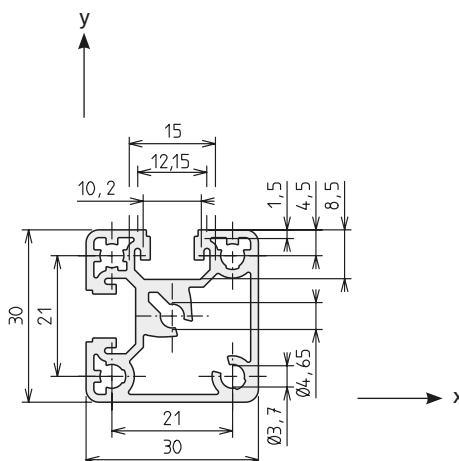


Code No. Profile F-G 30x30			Anodised
4535000	Cut to size	max. 6000 mm	Clear
4535001	Bar	6000 mm	Clear

Area	318	mm <sup>2</sup>
$I_x$	3.2	cm <sup>4</sup>
$I_y$	3.2	cm <sup>4</sup>
$W_x$	2.1	cm <sup>3</sup>
$W_y$	2.1	cm <sup>3</sup>
Weight	858	g/m


Connection	Slot geometry	Flange bracket	lot sizes	Code No.
 Long	30	30	10, 20, 30... pcs	4306709
	40	30	10, 20, 30... pcs	4306710
 Short	30	30 (K)	10, 20, 30... pcs	4106702
	40	30 (K)	10, 20, 30... pcs	4106703

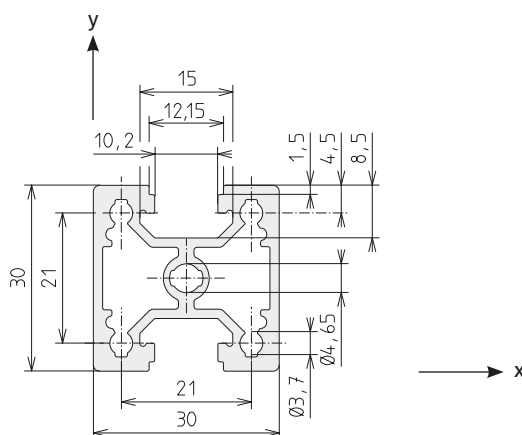
### F-GG 30x30



Code No. Profile F-GG 30x30			Anodised
4555000	Cut to size	max. 6000 mm	Clear
4555001	Bar	6000 mm	Clear

Area	317	mm <sup>2</sup>
$I_x$	3.2	cm <sup>4</sup>
$I_y$	3.2	cm <sup>4</sup>
$W_x$	2.1	cm <sup>3</sup>
$W_y$	2.1	cm <sup>3</sup>
Weight	858	g/m

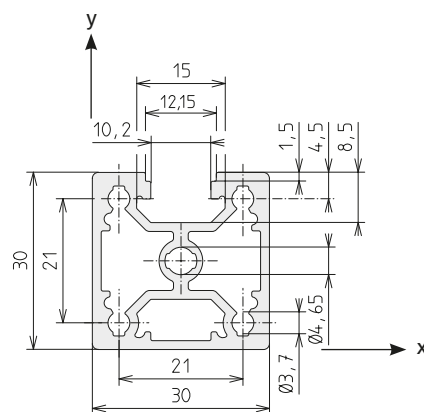
Connection	Slot geometry	Flange bracket	lot sizes	Code No.
 Short	30	30 (K)	10, 20, 30... pcs	4106702
	40	30 (K)	10, 20, 30... pcs	4106703

**F-2G 30x30**


Code No. Profile F-2G 30x30			Anodised
4B45000	Cut to size	max. 6000 mm	Clear
4B45001	Bar	6000 mm	Clear

Area	335.3	mm <sup>2</sup>
I <sub>x</sub>	3.2	cm <sup>4</sup>
I <sub>y</sub>	3.6	cm <sup>4</sup>
W <sub>x</sub>	2.2	cm <sup>3</sup>
W <sub>y</sub>	2.4	cm <sup>3</sup>
Weight	905	g/m

Connec- tion	Slot geometry	Flange bracket	lot sizes	Code No.
Long	30	30	10, 20, 30... pcs	4306709
	40	30	10, 20, 30... pcs	4306710

**F-3G 30x30**


Code No. Profile F-3G 30x30			Anodised
4B55000	Cut to size	max. 6000 mm	Clear
4B55001	Bar	6000 mm	Clear

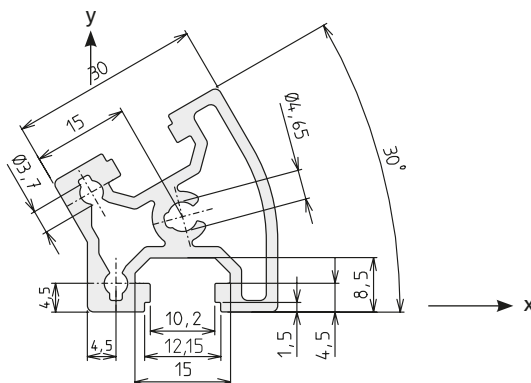
Area	335	mm <sup>2</sup>
I <sub>x</sub>	3.5	cm <sup>4</sup>
I <sub>y</sub>	3.6	cm <sup>4</sup>
W <sub>x</sub>	2.2	cm <sup>3</sup>
W <sub>y</sub>	2.4	cm <sup>3</sup>
Weight	932	g/m

Connection	Slot geometry	Flange bracket	lot sizes	Code No.
Short	30	30 (K)	10, 20, 30... pcs	4106702
	40	30 (K)	10, 20, 30... pcs	4106703

## Functional profiles

# Visible profiles / size 30

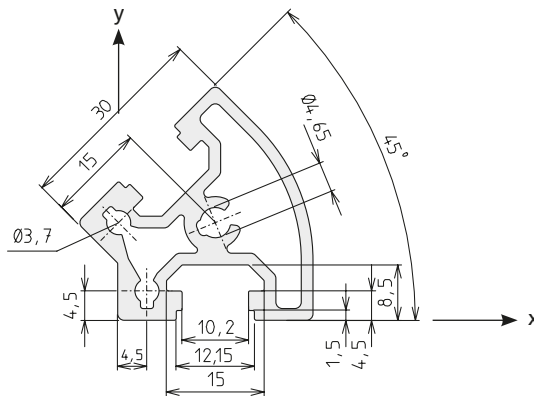
### W 30-30



Area	342	mm <sup>2</sup>
I <sub>x</sub>	3.0	cm <sup>4</sup>
I <sub>y</sub>	3.4	cm <sup>4</sup>
W <sub>x</sub>	1.5	cm <sup>3</sup>
W <sub>y</sub>	1.8	cm <sup>3</sup>
Weight	924	g/m

Code No. Angle profile W 30-30			Anodised
4725000	Cut to size	max. 6000 mm	Clear
4725001	Bar	6000 mm	Clear
Code No. Corner joint		Type	
4412406		KLW 30-30	

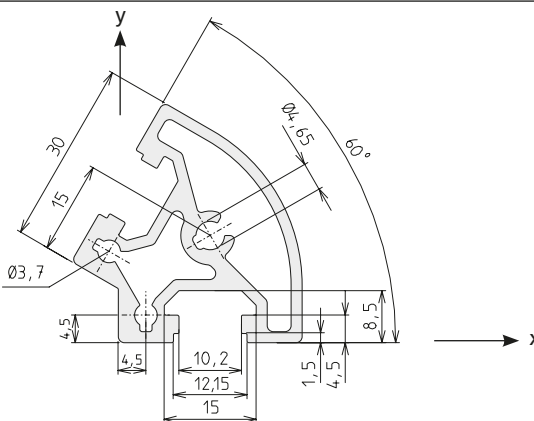
### W 30-45



Area	340	mm <sup>2</sup>
I <sub>x</sub>	3.0	cm <sup>4</sup>
I <sub>y</sub>	3.2	cm <sup>4</sup>
W <sub>x</sub>	1.4	cm <sup>3</sup>
W <sub>y</sub>	1.7	cm <sup>3</sup>
Weight	919	g/m

Code No. Profile W 30-45			Anodised
4735000	Cut to size	max. 6000 mm	Clear
4735001	Bar	6000 mm	Clear
Code No. Corner joint		Type	
4422406		KLW 30-45	

### W 30-60



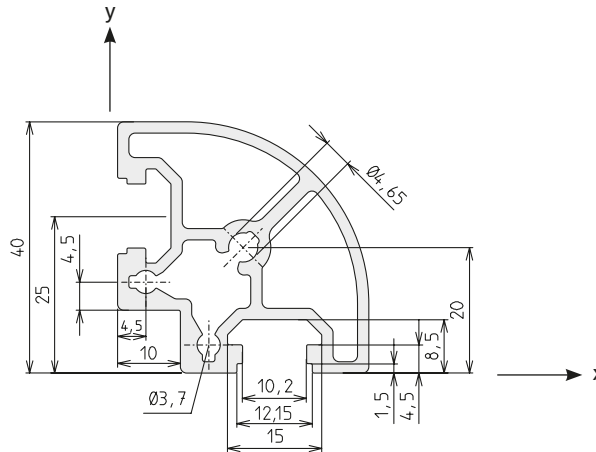
Area	375	mm <sup>2</sup>
I <sub>x</sub>	3.4	cm <sup>4</sup>
I <sub>y</sub>	4.3	cm <sup>4</sup>
W <sub>x</sub>	1.8	cm <sup>3</sup>
W <sub>y</sub>	1.9	cm <sup>3</sup>
Weight	1014	g/m

Code No. Angle profile W 30-60			Anodised
4745000	Cut to size	max. 6000 mm	Clear
4745001	Bar	6000 mm	Clear
Code No. Corner joint		Type	
4622406		KLW 30-60	





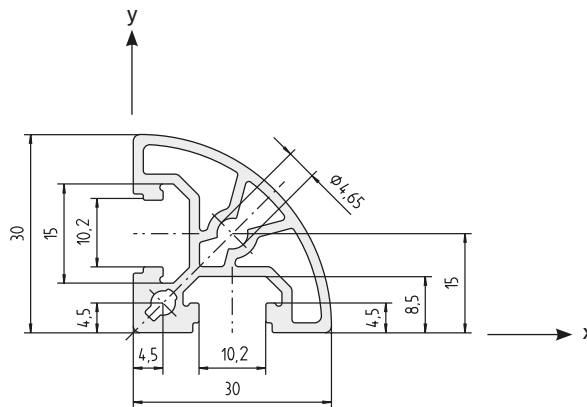
### W 30-90



Area	435	mm <sup>2</sup>
$I_x$	6.2	cm <sup>4</sup>
$I_y$	6.2	cm <sup>4</sup>
$W_x$	2.9	cm <sup>3</sup>
$W_y$	2.9	cm <sup>3</sup>
Weight	1173	g/m

Code No. Angle profile W 30-90			Anodised
4755000	Cut to size	max. 6000 mm	Clear
4755001	Bar	6000 mm	Clear
Code No. Corner joint		Type	
4432406	KLW 30-90		

### F-R 30



Area	271	mm <sup>2</sup>
$I_x$	2.1	cm <sup>4</sup>
$I_y$	2.1	cm <sup>4</sup>
$W_x$	1.2	cm <sup>3</sup>
$W_y$	1.2	cm <sup>3</sup>
Weight	730	g/m

Code No. Profile F-R 30			Anodised
4105000	Cut to size	max. 6000 mm	Clear
4105001	Bar	6000 mm	Clear

Connection	Flange bracket	Slot geometry	lot sizes	Code No.
long. + transverse	30 (K)	30	10, 20, 30... pcs	4106702

Functional profiles

# Visible profiles / size 40

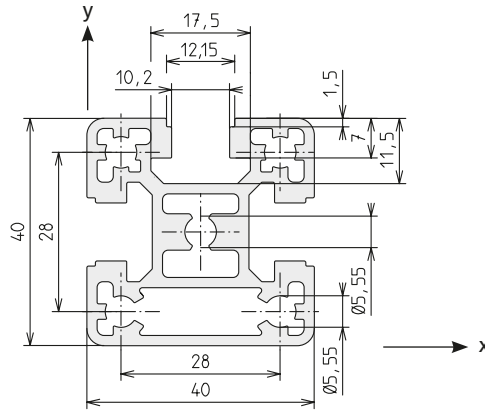
**Order instruction:**

- Purchase only in lot sizes and a multiple of that see product table below

## F-G 40x40



Area 636 mm<sup>2</sup>  
 $I_x$  9.7 cm<sup>4</sup>  
 $I_y$  9.8 cm<sup>4</sup>  
 $W_x$  4.8 cm<sup>3</sup>  
 $W_y$  4.9 cm<sup>3</sup>  
 Weight 1718 g/m



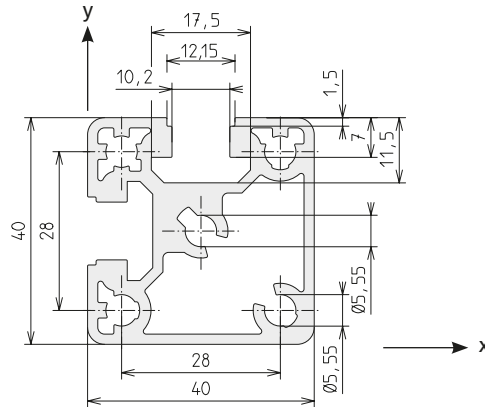
Code No. Profile F-G 40x40			Anodised
4545000	Cut to size	max. 6000 mm	Clear
4545001	Bar	6000 mm	Clear

Connection	Slot geometry	Flange bracket	lot sizes	Code No.
	30	40	10, 20, 30... pcs	4816703
	40			4816702
	30	40 (K)	10, 20, 30... pcs	4566700
	40			4566701
	40	40 (N)	-	4546700

## F-GG 40x40

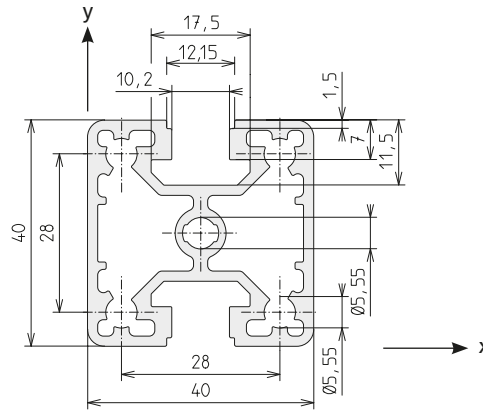


Area 611 mm<sup>2</sup>  
 $I_x$  10.1 cm<sup>4</sup>  
 $I_y$  10.1 cm<sup>4</sup>  
 $W_x$  4.8 cm<sup>3</sup>  
 $W_y$  4.8 cm<sup>3</sup>  
 Weight 1651 g/m



Code No. Profile F-GG 40x40			Anodised
4565000	Cut to size	max. 6000 mm	Clear
4565001	Bar	6000 mm	Clear

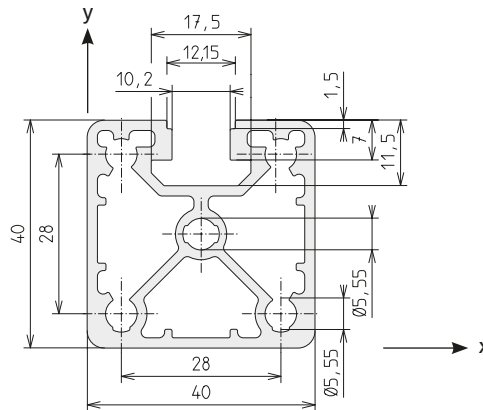
Connection	Slot geometry	Flange bracket	lot sizes	Code No.
	30	40 (K)	10, 20, 30... pcs	4566700
	40			4566701
	40	40 (N)	-	4546700

**F-2G 40x40**


Area	543	mm <sup>2</sup>
I <sub>x</sub>	9.3	cm <sup>4</sup>
I <sub>y</sub>	9.4	cm <sup>4</sup>
W <sub>x</sub>	4.6	cm <sup>3</sup>
W <sub>y</sub>	4.7	cm <sup>3</sup>
Weight	1466	g/m

Code No. Profile F-2G 40x40			Anodised
4B25000	Cut to size	max. 6000 mm	Clear
4B25001	Bar	6000 mm	Clear

Connection	Slot geometry	Flange bracket	lot sizes	Code No.
Long	30	40	10, 20, 30... pcs	4816703
	40			4816702

**F-3G 40x40**


Area	539	mm <sup>2</sup>
I <sub>x</sub>	9.7	cm <sup>4</sup>
I <sub>y</sub>	9.8	cm <sup>4</sup>
W <sub>x</sub>	4.8	cm <sup>3</sup>
W <sub>y</sub>	4.9	cm <sup>3</sup>
Weight	1455	g/m

Code No. Profile F-3G 40x40			Anodised
4B35000	Cut to size	max. 6000 mm	Clear
4B35001	Bar	6000 mm	Clear

Connection	Slot geometry	Flange bracket	lot sizes	Code No.
Short	30	40 (K)	10, 20, 30... pcs	4566700
	40			4566701
Flange slot stone -N-	40	40 (N)	-	4546700

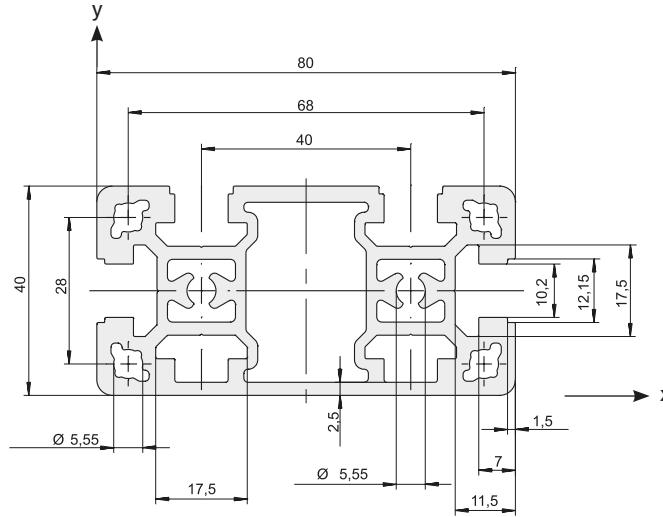
Functional profiles

Visible profiles / size 40

Order instruction:

- Purchase only in lot sizes and a multiple of that see product table below

F-G 40x80

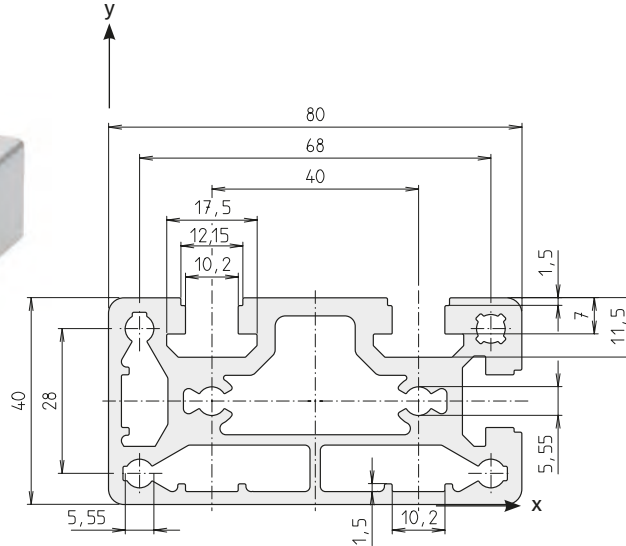
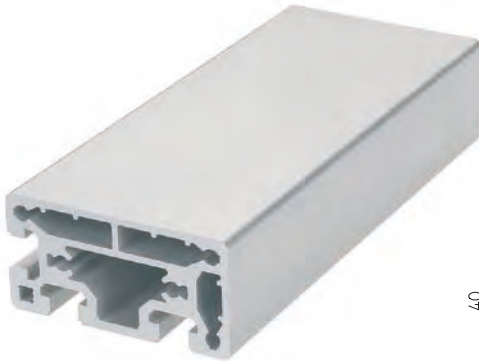


Area	1220	mm <sup>2</sup>
I <sub>x</sub>	20.9	cm <sup>4</sup>
I <sub>y</sub>	82.3	cm <sup>4</sup>
W <sub>x</sub>	10.4	cm <sup>3</sup>
W <sub>y</sub>	20.6	cm <sup>3</sup>
Weight	3295	g/m

Code No. Profile F-G 40x80			Anodised
4B85000	Cut to size	max. 6000 mm	Clear
4B85001	Bar	6000 mm	Clear

Connection	Slot geometry	Flange bracket	lot sizes	Code No.	
	long.	80	10, 20, 30... pcs	4316706	
				4246702	
	Flange slot stone -N-	40	40 (N)	-	4546700

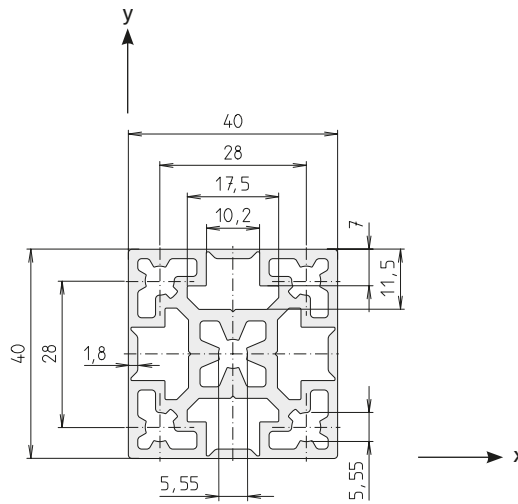
F-GG 40x80



Area	1323	mm <sup>2</sup>
I <sub>x</sub>	22.0	cm <sup>4</sup>
I <sub>y</sub>	87.9	cm <sup>4</sup>
W <sub>x</sub>	10.7	cm <sup>3</sup>
W <sub>y</sub>	22.0	cm <sup>3</sup>
Weight	3565	g/m

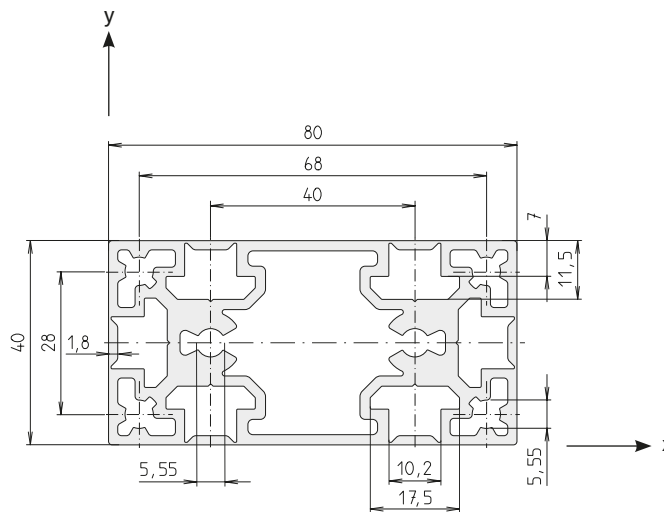
Code No. Profile F-GG 40x80			Anodised
4B15000	Cut to size	max. 6000 mm	Clear
4B15001	Bar	6000 mm	Clear

Connection	Slot geometry	Flange bracket	lot sizes	Code No.
	Extra long	80 (EL)	-	4586702
	Flange slot stone -N-	80 (N)	-	4586703
	Flange slot stone -N-	40 (N)	-	4546700

**4G-40x40**


Area	696	mm <sup>2</sup>
$I_x$	10.5	cm <sup>4</sup>
$I_y$	10.5	cm <sup>4</sup>
$W_x$	5.2	cm <sup>3</sup>
$W_y$	5.2	cm <sup>3</sup>
Weight	1877	g/m

Code No. Profile 4G-40x40			Anodised
4B65000	Cut to size	max. 6000 mm	Clear
4B65001	Bar	6000 mm	Clear

**4G-40x80**


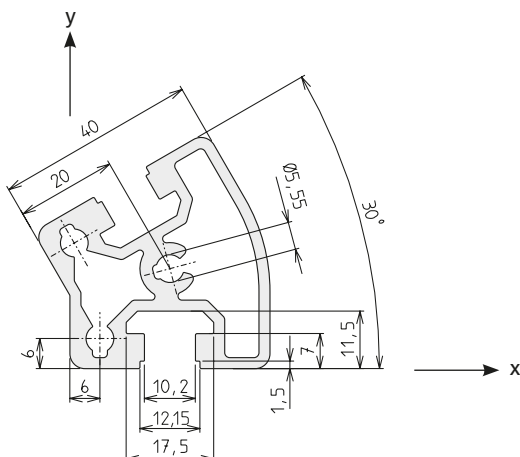
Area	1145	mm <sup>2</sup>
$I_x$	18.7	cm <sup>4</sup>
$I_y$	78.5	cm <sup>4</sup>
$W_x$	9.3	cm <sup>3</sup>
$W_y$	19.6	cm <sup>3</sup>
Weight	3106	g/m

Code No. Profile 4G-40x80			Anodised
4B75000	Cut to size	max. 6000 mm	Clear
4B75001	Bar	6000 mm	Clear

## Functional profiles

# Visible profiles / size 40

## W 40-30

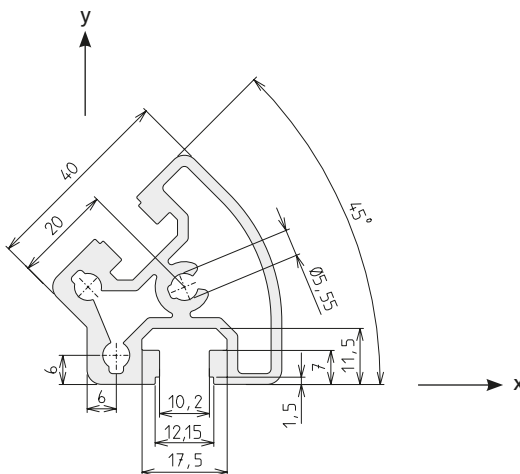


Area	619	mm <sup>2</sup>
$I_x$	10.0	cm <sup>4</sup>
$I_y$	10.0	cm <sup>4</sup>
$W_x$	3.7	cm <sup>3</sup>
$W_y$	4.2	cm <sup>3</sup>
Weight	1674	g/m

Code No. Angle profile W 40-30			Anodised
4765000	Cut to size	max. 6000 mm	Clear
4765001	Bar	6000 mm	Clear

Code No. Corner joint	Type
4462406	KLW 40-30

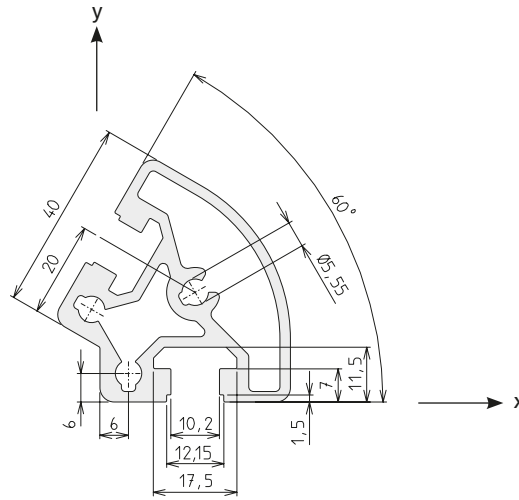
## W 40-45



Area	620	mm <sup>2</sup>
$I_x$	9.7	cm <sup>4</sup>
$I_y$	9.8	cm <sup>4</sup>
$W_x$	3.4	cm <sup>3</sup>
$W_y$	4.2	cm <sup>3</sup>
Weight	1675	g/m

Code No. Angle profile W 40-45			Anodised
4775000	Cut to size	max. 6000 mm	Clear
4775001	Bar	6000 mm	Clear

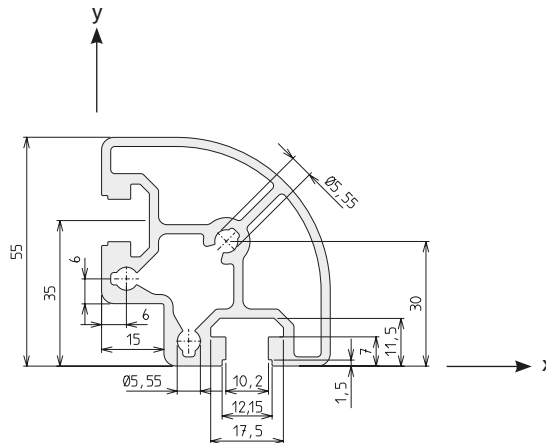
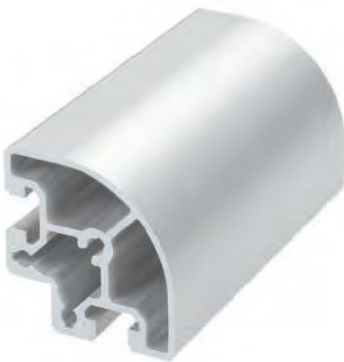
Code No. Corner joint	Type
4472406	KLW 40-45

**W 40-60**


Area	671	mm <sup>2</sup>
$I_x$	11.2	cm <sup>4</sup>
$I_y$	12.8	cm <sup>4</sup>
$W_x$	4.2	cm <sup>3</sup>
$W_y$	4.6	cm <sup>3</sup>
Weight	1812	g/m

Code No. Angle profile W 40-60			Anodised
4785000	Cut to size	max. 6000 mm	Clear
4785001	Bar	6000 mm	Clear

Code No. Corner joint	Type
4632406	KLW 40-60

**W 40-90**


Area	797	mm <sup>2</sup>
$I_x$	22.0	cm <sup>4</sup>
$I_y$	22.0	cm <sup>4</sup>
$W_x$	7.4	cm <sup>3</sup>
$W_y$	7.4	cm <sup>3</sup>
Weight	2153	g/m

Code No. Angle profile W 40-90			Anodised
4795000	Cut to size	max. 6000 mm	Clear
4795001	Bar	6000 mm	Clear

Code No. Corner joint	Type
4482406	KLW 40-90

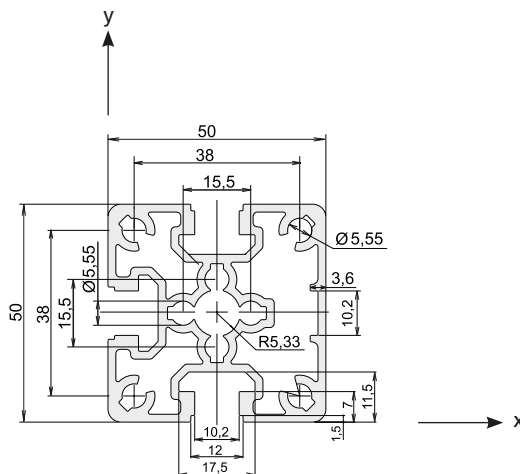
## Functional profiles

# Visible profiles / size 50

### Order instruction:



- Purchase only in lot sizes and a multiple of that see product table below

### F-G 50x50

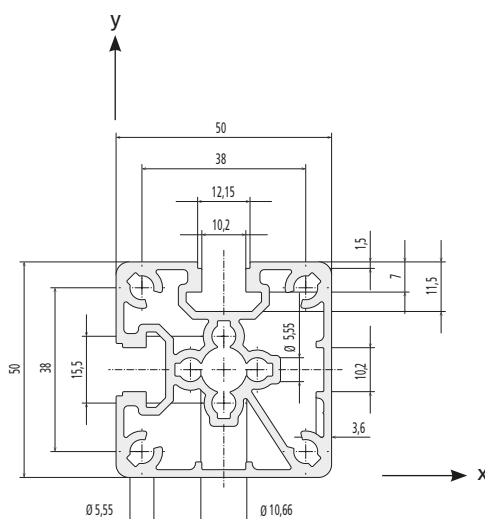


Area	832	mm <sup>2</sup>
$I_x$	21.6	cm <sup>4</sup>
$I_y$	22.2	cm <sup>4</sup>
$W_x$	8.6	cm <sup>3</sup>
$W_y$	8.9	cm <sup>3</sup>
Weight	2247	g/m

Code No. Profile F-G 50x50			Anodised
4A65000	Cut to size	max. 6000 mm	Clear
4A65001	Bar	6000 mm	Clear


Connection	Slot geometry	Flange bracket	lot sizes	Code No.
	Long	50	10, 20, 30... pcs	4086706
		40	10, 20, 30... pcs	4086702
	Flange slot stone -N-	50 (N)	-	4A66700

### F-GG 50x50



Area	815	mm <sup>2</sup>
$I_x$	21.5	cm <sup>4</sup>
$I_y$	22.1	cm <sup>4</sup>
$W_x$	8.4	cm <sup>3</sup>
$W_y$	8.7	cm <sup>3</sup>
Weight	2200	g/m

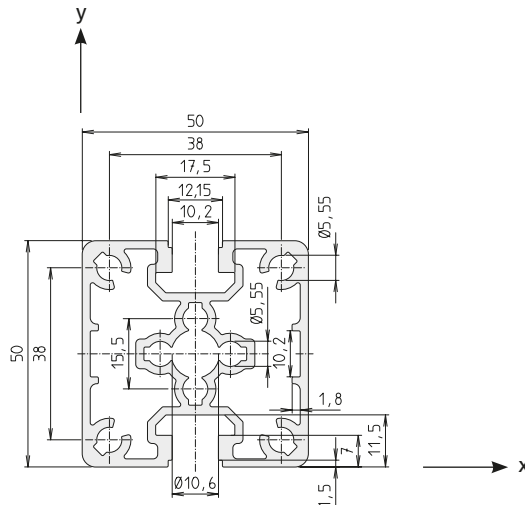
Code No. Profile F-GG 50x50			Anodised
4A75000	Cut to size	max. 6000 mm	Clear
4A75001	Bar	6000 mm	Clear

Connection	Slot geometry	Flange bracket	lot sizes	Code No.
	Flange slot stone -N-	50 (N)	-	4A66700





F-2G 50x50

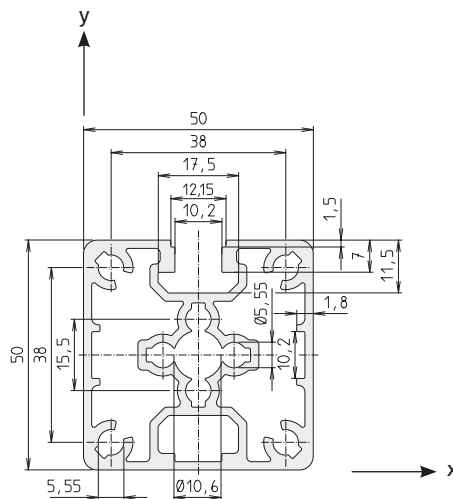


Area	779	mm <sup>2</sup>
$I_x$	20.6	cm <sup>4</sup>
$I_y$	21.8	cm <sup>4</sup>
$W_x$	8.3	cm <sup>3</sup>
$W_y$	8.7	cm <sup>3</sup>
Weight	2103	g/m

Code No. Profile F-2G 50x50			Anodised
4A85000	Cut to size	max. 6000 mm	Clear
4A85001	Bar	6000 mm	Clear

Connection	Slot geometry	Flange bracket	lot sizes	Code No.
Long	30	50	10, 20, 30... pcs	4086706
	40	50	10, 20, 30... pcs	4086702

F-3G 50x50



Area	791	mm <sup>2</sup>
$I_x$	20.7	cm <sup>4</sup>
$I_y$	22.8	cm <sup>4</sup>
$W_x$	9.0	cm <sup>3</sup>
$W_y$	9.1	cm <sup>3</sup>
Weight	2137	g/m

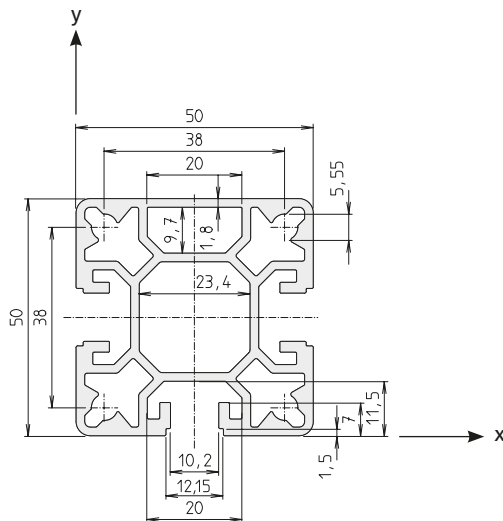
Code No. Profile F-3G 50x50			Anodised
4A95000	Cut to size	max. 6000 mm	Clear
4A95001	Bar	6000 mm	Clear

Connection	Slot geometry	Flange bracket	lot sizes	Code No.
Flange slot stone -N-	40	50 (N)	-	4A66700

Functional profiles

# Visible profiles / size 50

## Pillar profile SP-50x50



Area	753	mm <sup>2</sup>
I <sub>x</sub>	20.8	cm <sup>4</sup>
I <sub>y</sub>	20.7	cm <sup>4</sup>
W <sub>x</sub>	8.2	cm <sup>3</sup>
W <sub>y</sub>	8.3	cm <sup>3</sup>
Weight	2033	g/m

Code No. Pillar profile SP-50x50			Anodised
4635000	Cut to size	max. 6000 mm	Clear
4635001	Bar	6000 mm	Clear

**Note:** Purely a pillar/post profile on the face of which no connector can be attached. Profile lengths 6700 mm available on request.



## Functional profiles

# Visible profiles / size 60

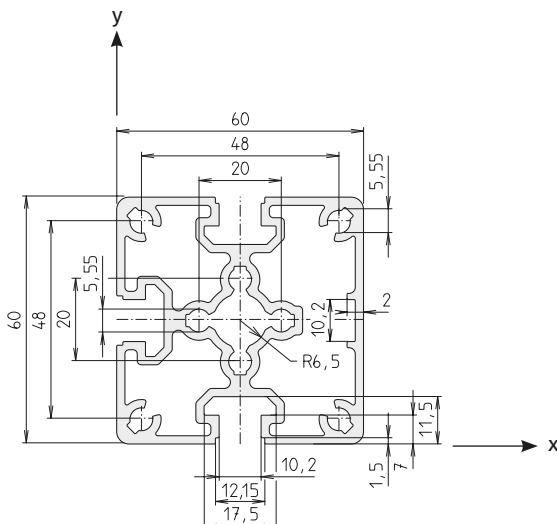
### Order instruction:

- Purchase only in lot sizes and a multiple of that see product table below



### F-G 60x60



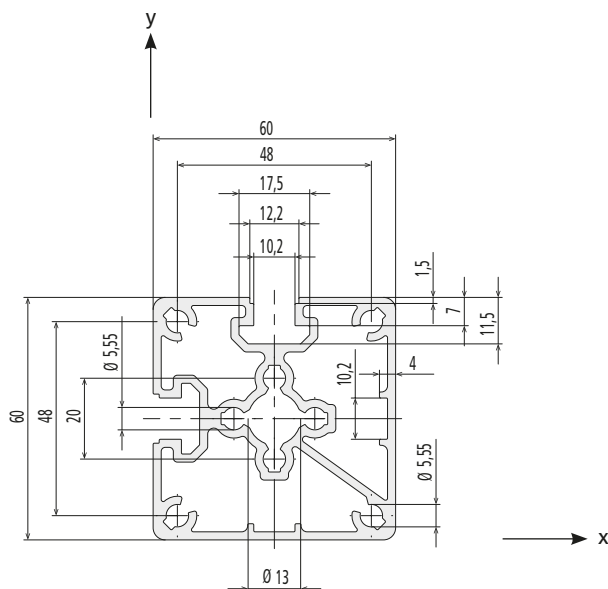
Area	1020	mm <sup>2</sup>
$I_x$	37.9	cm <sup>4</sup>
$I_y$	39.5	cm <sup>4</sup>
$W_x$	12.6	cm <sup>3</sup>
$W_y$	12.7	cm <sup>3</sup>
Weight	2757	g/m




Code No. Profile F-G 60x60			Anodised
4A25000	Cut to size	max. 6000 mm	Clear
4A25001	Bar	6000 mm	Clear

Connection	Slot geometry	Flange bracket	lot sizes	Code No.	
	Long	30	60	10, 20, 30... pcs	4226706
		40	60	10, 20, 30... pcs	4226702
	Flange slot stone -N-	40	60 (N)	-	4A26700

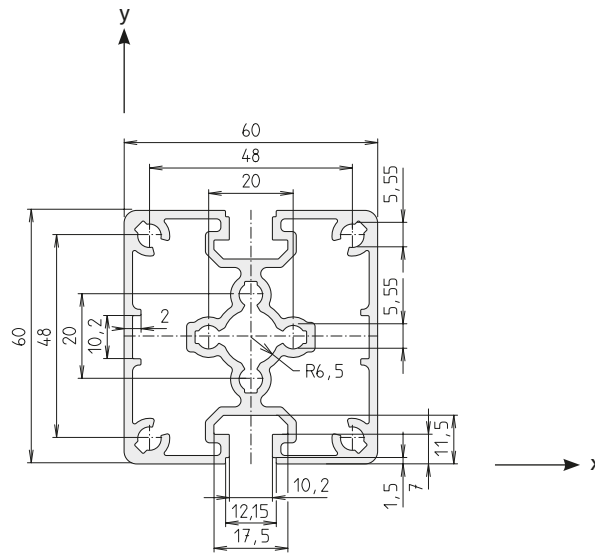
### F-GG 60x60



Code No. Profile F-GG 60x60			Anodised
4A35000	Cut to size	max. 6000 mm	Clear
4A35001	Bar	6000 mm	Clear

Connection	Slot geometry	Flange bracket	lot sizes	Code No.	
	Flange slot stone -N-	40	60 (N)	-	4A26700

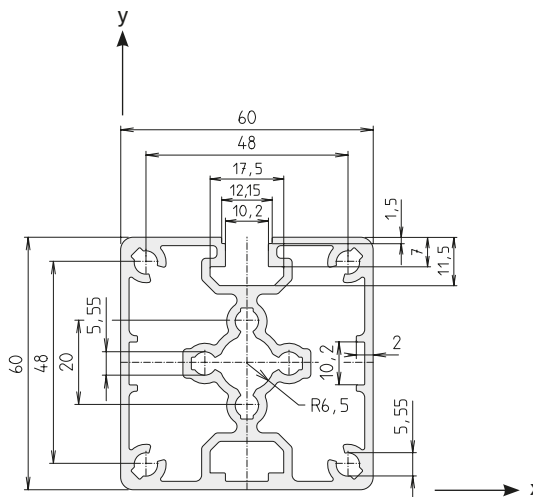
Area	1001	mm <sup>2</sup>
$I_x$	38.1	cm <sup>4</sup>
$I_y$	39.0	cm <sup>4</sup>
$W_x$	12.5	cm <sup>3</sup>
$W_y$	12.8	cm <sup>3</sup>
Weight	2701	g/m

**F-2G 60x60**


Area	956	mm <sup>2</sup>
$I_x$	36.2	cm <sup>4</sup>
$I_y$	39.1	cm <sup>4</sup>
$W_x$	12.1	cm <sup>3</sup>
$W_y$	13.0	cm <sup>3</sup>
Weight	2585	g/m

Code No. Profile F-2G 60x60			Anodised
4A45000	Cut to size	max. 6000 mm	Clear
4A45001	Bar	6000 mm	Clear

Connection	Slot geometry	Flange bracket	lot sizes	Code No.
Long	30	60	10, 20, 30... pcs	4226706
	40	60	10, 20, 30... pcs	4226702

**F-3G 60x60**


Area	981	mm <sup>2</sup>
$I_x$	36.5	cm <sup>4</sup>
$I_y$	41.2	cm <sup>4</sup>
$W_x$	11.9	cm <sup>3</sup>
$W_y$	13.7	cm <sup>3</sup>
Weight	2649	g/m

Code No. Profile F-3G 60x60			Anodised
4A55000	Cut to size	max. 6000 mm	Clear
4A55001	Bar	6000 mm	Clear

Connection	Slot geometry	Flange bracket	lot sizes	Code No.
Flange slot stone -N-	40	60 (N)	-	4A26700

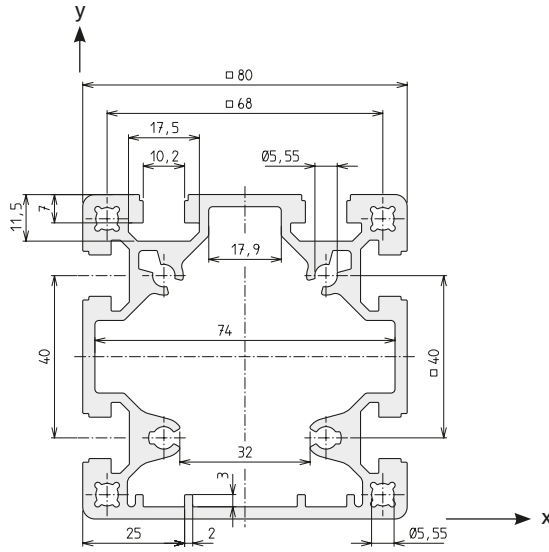
Functional profiles

Visible profiles / size 80

Order instruction:

- Purchase only in lot sizes and a multiple of that see product table below

F-G 80x80

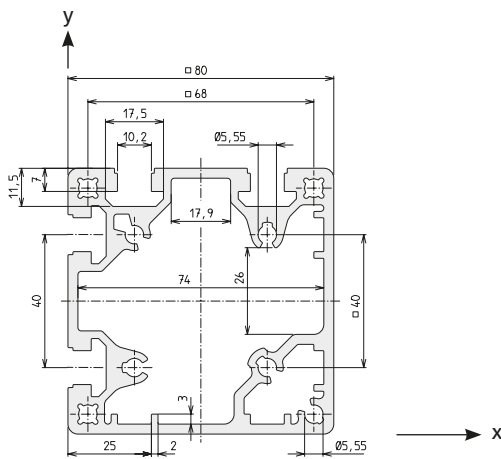


Area	1710	mm <sup>2</sup>
I <sub>x</sub>	135.5	cm <sup>4</sup>
I <sub>y</sub>	139.3	cm <sup>4</sup>
W <sub>x</sub>	34.8	cm <sup>3</sup>
W <sub>y</sub>	33.0	cm <sup>3</sup>
Weight	4557	g/m

Code No. Profile F-G 80x80			Anodised
4585000	Cut to size	max. 6000 mm	Clear
4585001	Bar	6000 mm	Clear

Connection	Slot geometry	Flange bracket	lot sizes	Code No.	
	Long	30	80	10, 20, 30... pcs	4316706
		40	80	10, 20, 30... pcs	4246702
	Extra long	40	80 (EL)	-	4586702
	Flange slot stone -N-	40	80 (N)	-	4586703

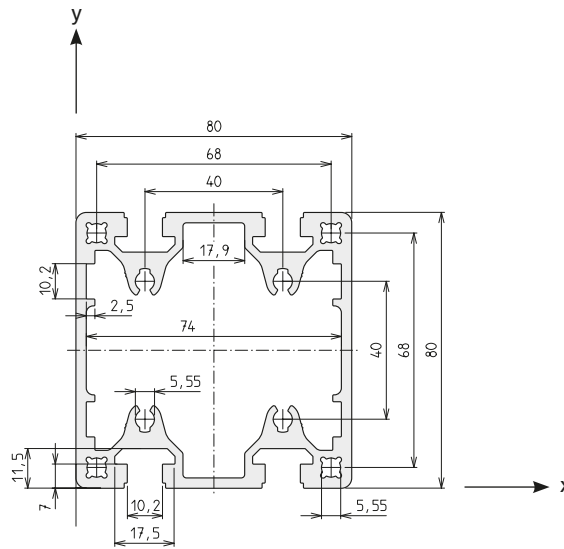
F-GG 80x80



Area	1686	mm <sup>2</sup>
I <sub>x</sub>	136.2	cm <sup>4</sup>
I <sub>y</sub>	136.2	cm <sup>4</sup>
W <sub>x</sub>	34.1	cm <sup>3</sup>
W <sub>y</sub>	34.1	cm <sup>3</sup>
Weight	4497	g/m

Code No. Profile F-GG 80x80			Anodised
4595000	Cut to size	max. 6000 mm	Clear
4595001	Bar	6000 mm	Clear

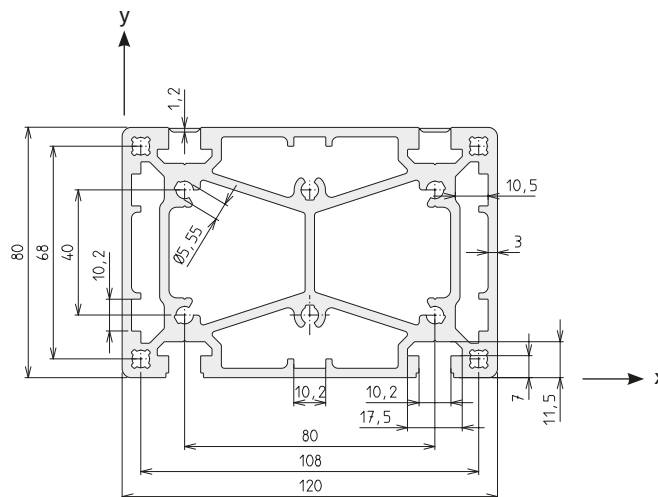
Connection	Slot geometry	Flange bracket	lot sizes	Code No.	
	Extra long	40	80 (EL)	-	4586702
	Flange slot stone -N-	40	80 (N)	-	4586703

**F-2G 80x80**


Area	1656	mm <sup>2</sup>
$I_x$	133.4	cm <sup>4</sup>
$I_y$	140.0	cm <sup>4</sup>
$W_x$	33.3	cm <sup>3</sup>
$W_y$	35.5	cm <sup>3</sup>
Weight	4471	g/m

Code No. Profile F-2G 80x80			Anodised
4A15000	Cut to size	max. 6000 mm	Clear
4A15001	Bar	6000 mm	Clear

Connection	Slot geometry	Flange bracket	lot sizes	Code No.
Long	30	80	10, 20, 30... pcs	4316706
40	40	80	10, 20, 30... pcs	4246702

**F-3G 80x120-A**


Area	2896	mm <sup>2</sup>
$I_x$	213.3	cm <sup>4</sup>
$I_y$	467.8	cm <sup>4</sup>
$W_x$	52.8	cm <sup>3</sup>
$W_y$	77.9	cm <sup>3</sup>
Weight	7818	g/m

Code No. Profile F-3G 80x120-A			Anodised
4965000	Cut to size	max. 6000 mm	Clear
4965001	Bar	6000 mm	Clear

Connection	Slot geometry	Flange bracket	lot sizes	Code No.
Extra long	40	120 (A)	–	4966700
Extra long	40	80 (EL)	–	4586702

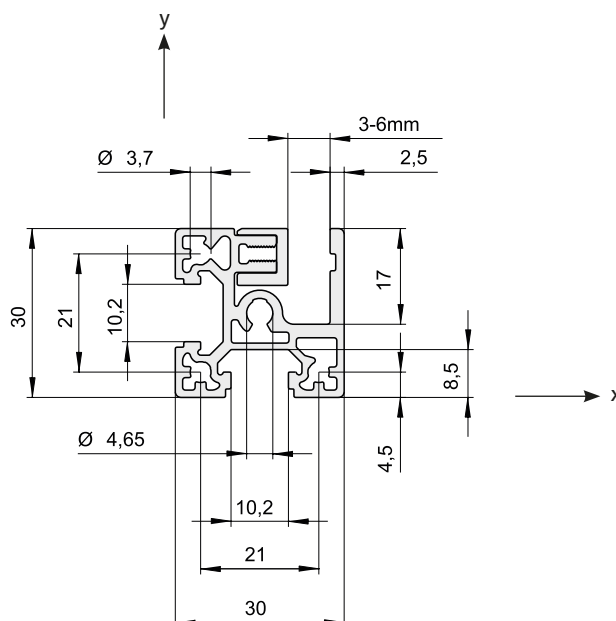
## Functional profiles

# Frame profiles / size 30

### Order instruction:

- Purchase only in lot sizes and a multiple of that see product table below

## Clamping profile KL 30x30-3



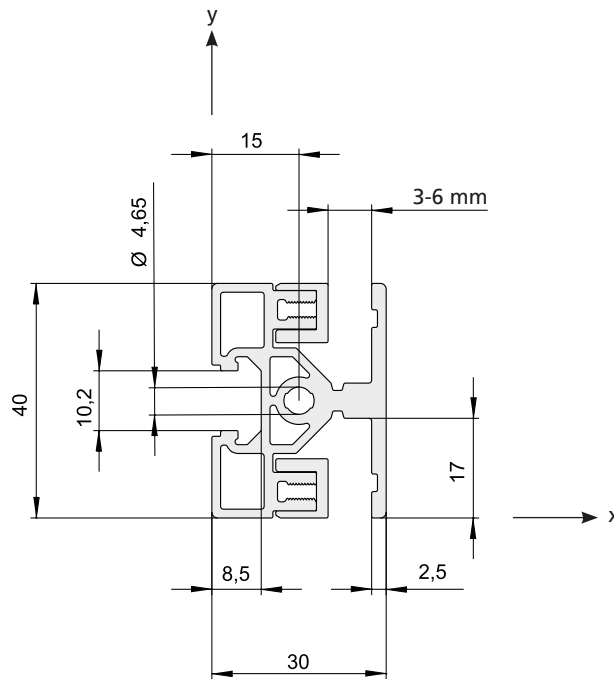
Area	320	mm <sup>2</sup>
$I_x$	2.5	cm <sup>4</sup>
$I_y$	3.1	cm <sup>4</sup>
$W_x$	1.6	cm <sup>3</sup>
$W_y$	2.1	cm <sup>3</sup>
Weight	989	g/m

Code No. Clamping profile KL 30x30-3			Anodised
4F75008	Cut to size	max. 6000 mm	Clear
4F75009	Bar	à 6000 mm	Clear

Code No. Corner joint	Type	lot sizes
4202406	KL 30	4, 8, 12... pcs



## Clamping profile KLD 30x40



Area	436	mm <sup>2</sup>
$I_x$	5,5	cm <sup>4</sup>
$I_y$	3,8	cm <sup>4</sup>
$W_x$	2,7	cm <sup>3</sup>
$W_y$	2,5	cm <sup>3</sup>
Weight	1426	g/m

Code No. Clamping profile KLD 30x40			Anodised
4F85008	Cut to size	max. 6000 mm	Clear
4F85009	Bar	à 6000 mm	Clear

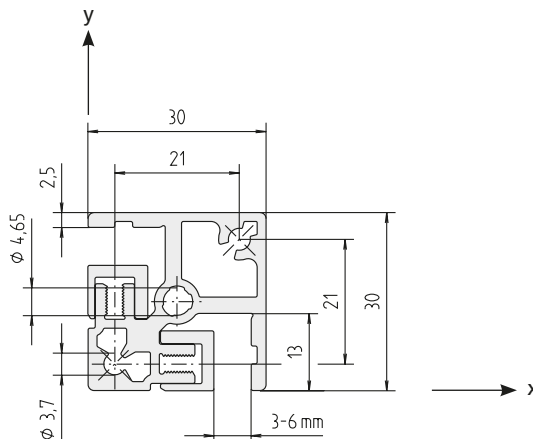
## Functional profiles

# Frame profiles / size 30

### Order instruction:

- Purchase only in lot sizes and a multiple of that see product table below

### Clamping profile KLE 30x30

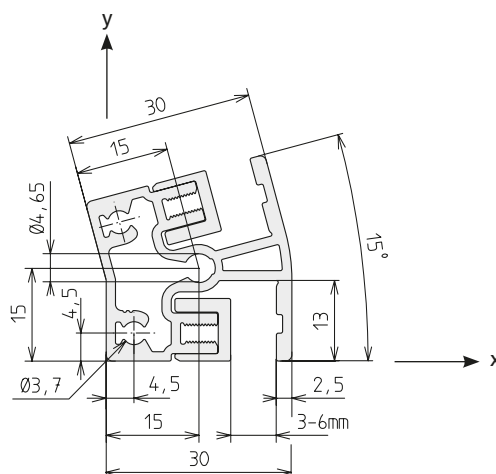


Area	348	mm <sup>2</sup>
$I_x$	3.0	cm <sup>4</sup>
$I_y$	3.0	cm <sup>4</sup>
$W_x$	2.0	cm <sup>3</sup>
$W_y$	2.0	cm <sup>3</sup>
Weight	1179	g/m

Code No. Clamping profile KLE 30x30			Anodised
4705008	Cut to size	max. 6000 mm	Clear
4705009	Bar	6000 mm	Clear

Code No. Corner joint	Type	lot sizes
4702406	KLE 30	4, 8, 12... pcs

### Clamping profile KLV 30-15

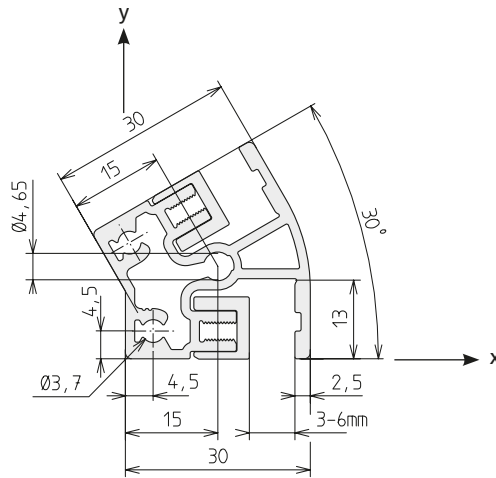


Area	405	mm <sup>2</sup>
$I_x$	2.5	cm <sup>4</sup>
$I_y$	3.3	cm <sup>4</sup>
$W_x$	1.4	cm <sup>3</sup>
$W_y$	1.9	cm <sup>3</sup>
Weight	853	g/m

Code No. Clamping profile KLV 30-15			Anodised
4405000	Cut to size	max. 6000 mm	Clear
4405001	Bar	6000 mm	Clear

Code No. Corner joint	Type	lot sizes
4402406	KLV 30-15	-

## Clamping profile K LW 30-30

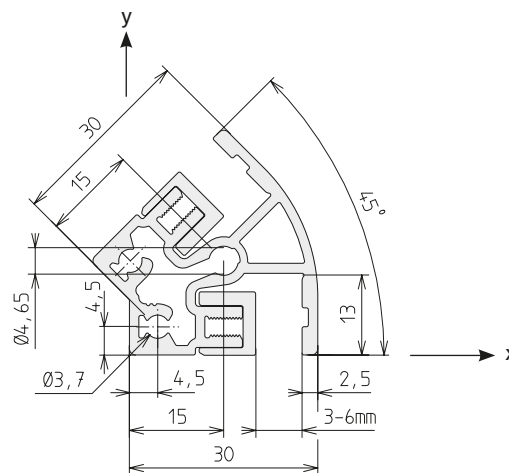


Area	405	mm <sup>2</sup>
$I_x$	2.4	cm <sup>4</sup>
$I_y$	3.3	cm <sup>4</sup>
$W_x$	1.2	cm <sup>3</sup>
$W_y$	1.8	cm <sup>3</sup>
Weight	852	g/m

Code No. Clamping profile K LW 30-30			Anodised
4415000	Cut to size	max. 6000 mm	Clear
4415001	Bar	6000 mm	Clear

Code No. Corner joint	Type
4412406	K LW 30-30

## Clamping profile K LW 30-45



Area	402	mm <sup>2</sup>
$I_x$	2.4	cm <sup>4</sup>
$I_y$	3.1	cm <sup>4</sup>
$W_x$	1.1	cm <sup>3</sup>
$W_y$	1.7	cm <sup>3</sup>
Weight	845	g/m

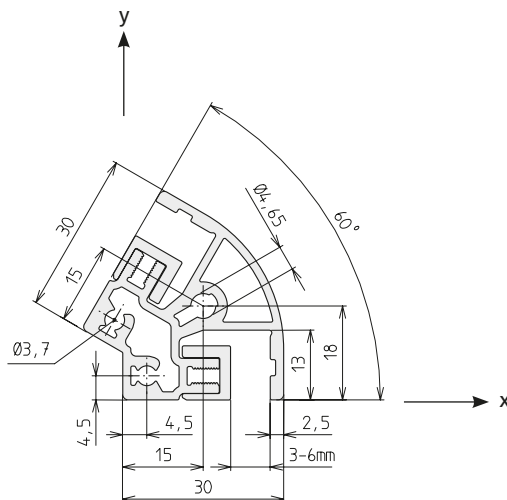
Code No. Clamping profile K LW 30-45			Anodised
4425000	Cut to size	max. 6000 mm	Clear
4425001	Bar	6000 mm	Clear

Code No. Corner joint	Type
4422406	K LW 30-45

## Functional profiles

# Frame profiles / size 30

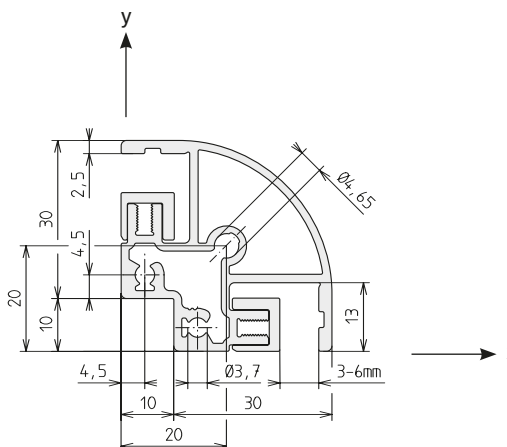
## Clamping profile K LW 30-60



Area	357	mm <sup>2</sup>
$I_x$	3.3	cm <sup>4</sup>
$I_y$	3.5	cm <sup>4</sup>
$W_x$	1.7	cm <sup>3</sup>
$W_y$	1.5	cm <sup>3</sup>
Weight	966	g/m

Code No. Clamping profile K LW 30-60			Anodised
4445000	Cut to size	max. 6000 mm	Clear
4445001	Bar	6000 mm	Clear
Code No. Corner joint	Type		
4622406	K LW 30-60		

## Clamping profile K LW 30-90



Area	640	mm <sup>2</sup>
$I_x$	9.7	cm <sup>4</sup>
$I_y$	7.2	cm <sup>4</sup>
$W_x$	2.7	cm <sup>3</sup>
$W_y$	4.1	cm <sup>3</sup>
Weight	1051	g/m

Code No. Clamping profile K LW 30-90			Anodised
4435000	Cut to size	max. 6000 mm	Clear
4435001	Bar	6000 mm	Clear
Code No. Corner joint	Type		
4432406	K LW 30-90		



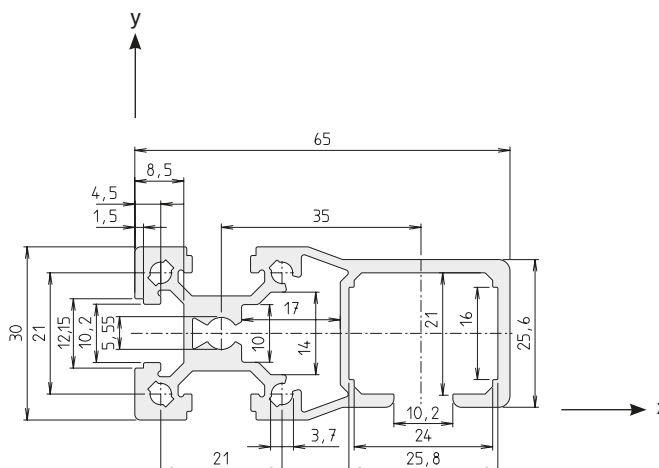
## Functional profiles

# Frame profiles / size 40

### Order instruction:

- Purchase only in lot sizes and a multiple of that see product table below

STP 30

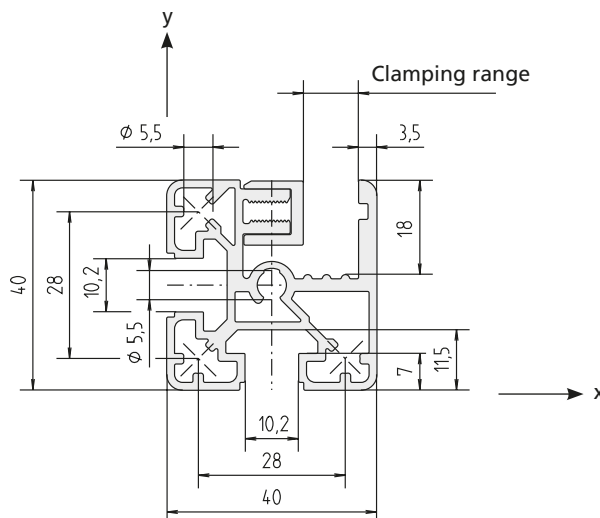


Code No. Sliding door profile STP-30			Anodised
4175000	Cut to size	max. 6000 mm	Clear
4175001	Bar	6000 mm	Clear

Area	536	mm <sup>2</sup>
$I_x$	5.2	cm <sup>4</sup>
$I_y$	22.8	cm <sup>4</sup>
$W_x$	3.7	cm <sup>3</sup>
$W_y$	6.1	cm <sup>3</sup>
Weight	1448	g/m

Connection	Slot geometry	Flange bracket	lot sizes	Code No.
long. + transverse	30	30	10, 20, 30... pcs	4176704
	40	30	10, 20, 30... pcs	4176705

## Clamping profile KL 40x40-3

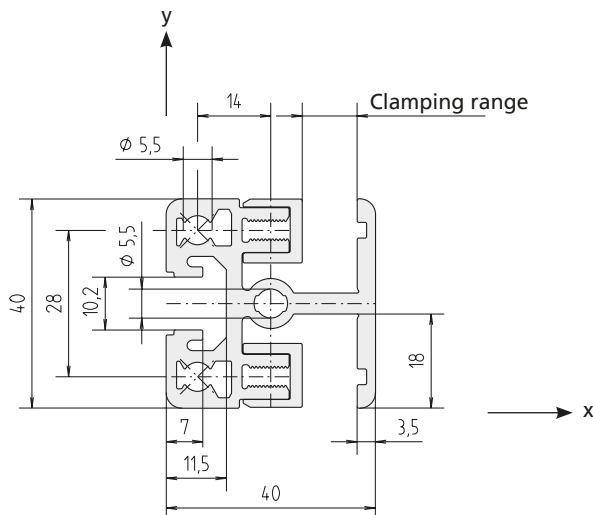


Code No. Clamping profile KL 40x40-3			Clamping range	Ano-dised
4B95100	Cut to size	max. 6000 mm	0-6 mm	Clear
4B95101	Bar	6000 mm	0-6 mm	Clear
4B95008	Cut to size	max. 6000 mm	4-10 mm	Clear
4B95009	Bar	6000 mm	4-10 mm	Clear

Area	561	mm <sup>2</sup>
$I_x$	7.6	cm <sup>4</sup>
$I_y$	9.3	cm <sup>4</sup>
$W_x$	3.8	cm <sup>3</sup>
$W_y$	4.6	cm <sup>3</sup>
Weight	1745	g/m

Code No. Corner joint	Type	lot sizes
4212406	KL 40	4, 8, 12... pcs

## Clamping profile KLD 40x40

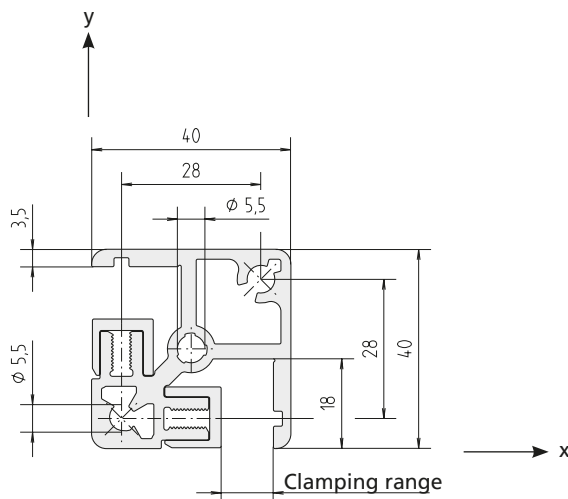


Area	612	mm <sup>2</sup>
$I_x$	8.3	cm <sup>4</sup>
$I_y$	10.0	cm <sup>4</sup>
$W_x$	4.1	cm <sup>3</sup>
$W_y$	5.5	cm <sup>3</sup>
Weight	1975	g/m

Code No. Clamping profile KLD 40x40			Clamping range	Ano-dised
4615100	Cut to size	max. 6000 mm	0-6 mm	Clear
4615101	Bar	6000 mm	0-6 mm	Clear
4615008	Cut to size	max. 6000 mm	4-10 mm	Clear
4615009	Bar	6000 mm	4-10 mm	Clear

Code No. Corner joint	Type	lot sizes
4212408	KLK 40	4, 8, 12... pcs
4212407	KLV 40	4, 8, 12... pcs

## Clamping profile KLE 40x40



Area	590	mm <sup>2</sup>
$I_x$	9.3	cm <sup>4</sup>
$I_y$	9.3	cm <sup>4</sup>
$W_x$	4.6	cm <sup>3</sup>
$W_y$	4.6	cm <sup>3</sup>
Weight	1914	g/m

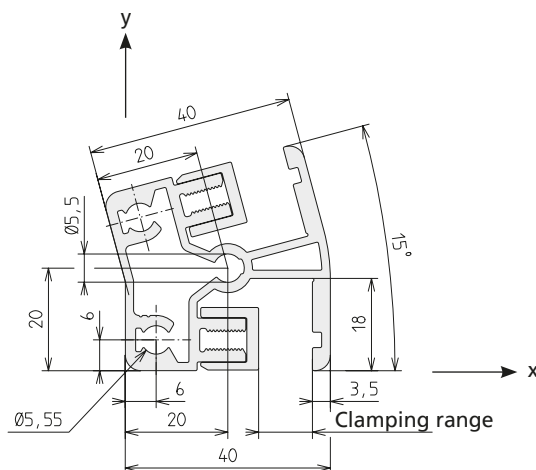
Code No. Clamping profile KLE 40x40			Clamping range	Ano-dised
4715100	Cut to size	max. 6000 mm	0-6 mm	Clear
4715101	Bar	6000 mm	0-6 mm	Clear
4715008	Cut to size	max. 6000 mm	4-10 mm	Clear
4715009	Bar	6000 mm	4-10 mm	Clear

Code No. Corner joint	Type	lot sizes
4712406	KLE 40	4, 8, 12... pcs

## Functional profiles

# Frame profiles / size 40

## Clamping profile KLV 40-15



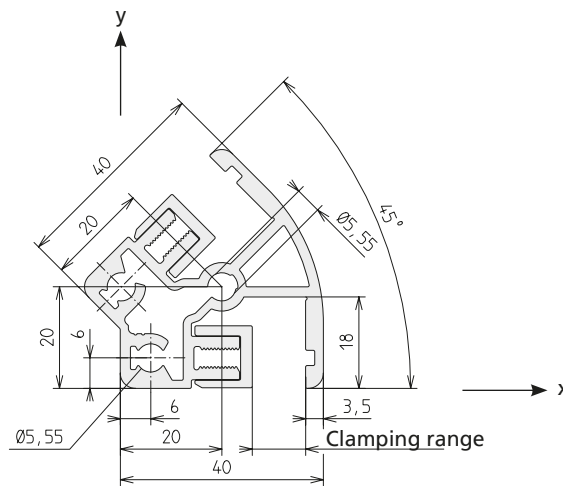
Area	641	mm <sup>2</sup>
$I_x$	7.4	cm <sup>4</sup>
$I_y$	9.7	cm <sup>4</sup>
$W_x$	3.1	cm <sup>3</sup>
$W_y$	4.4	cm <sup>3</sup>
Weight	1408	g/m

Code No. Clamping profile KLV 40-15			Clamping range	Ano-dised
4455100	Cut to size	max. 6000 mm	0-6 mm	Clear
4455101	Bar	6000 mm	0-6 mm	Clear
4455000	Cut to size	max. 6000 mm	4-10 mm	Clear
4455001	Bar	6000 mm	4-10 mm	Clear

Code No. Corner joint	Type
4412406	KLV 40-15



### Clamping profile K LW 40-45

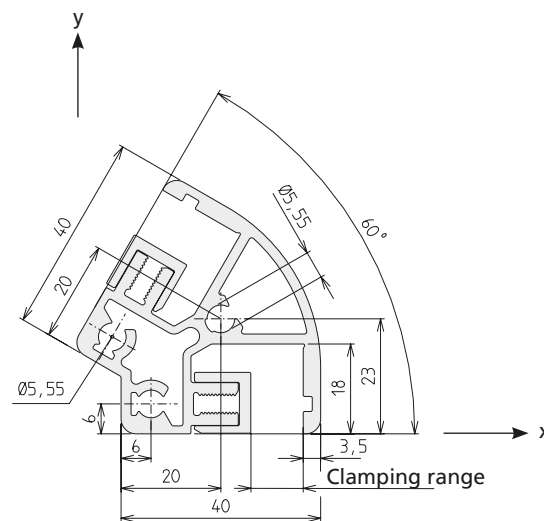


Area	654	mm <sup>2</sup>
$I_x$	7.3	cm <sup>4</sup>
$I_y$	9.6	cm <sup>4</sup>
$W_x$	2.6	cm <sup>3</sup>
$W_y$	3.9	cm <sup>3</sup>
Weight	1764	g/m

Code No. Clamping profile K LW 40-45			Clamping range	Ano-dised
4475100	Cut to size	max. 6000 mm	0-6 mm	Clear
4475101	Bar	6000 mm	0-6 mm	Clear
4475000	Cut to size	max. 6000 mm	4-10 mm	Clear
4475001	Bar	6000 mm	4-10 mm	Clear

Code No. Corner joint	Type
4472406	K LW 40-45

### Clamping profile K LW 40-60



Area	572	mm <sup>2</sup>
$I_x$	9.6	cm <sup>4</sup>
$I_y$	10.7	cm <sup>4</sup>
$W_x$	3.8	cm <sup>3</sup>
$W_y$	3.3	cm <sup>3</sup>
Weight	1545	g/m

Code No. Clamping profile K LW 40-60			Clamping range	Ano-dised
4495100	Cut to size	max. 6000 mm	0-6 mm	Clear
4495101	Bar	6000 mm	0-6 mm	Clear
4495000	Cut to size	max. 6000 mm	4-10 mm	Clear
4495001	Bar	6000 mm	4-10 mm	Clear

Code No. Corner joint	Type
4632406	K LW 40-60

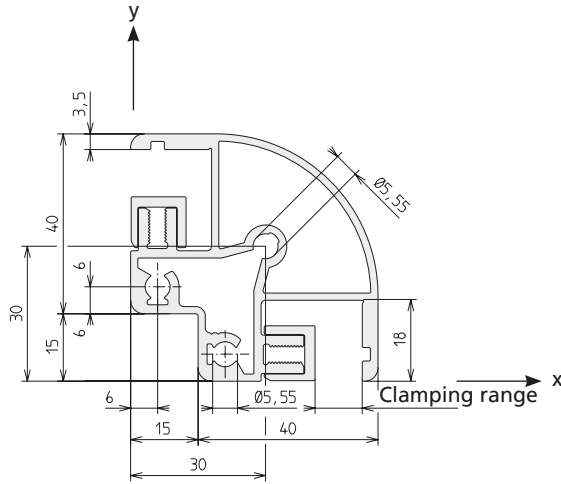
## Functional profiles

# Frame profiles / size 40

### Order instruction:

- Purchase only in lot sizes and a multiple of that see product table below

### Clamping profile KLV 40-90

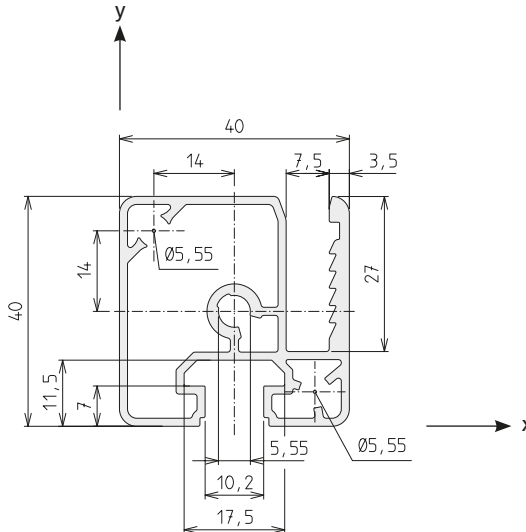


Area	774	mm <sup>2</sup>
$I_x$	17.3	cm <sup>4</sup>
$I_y$	17.3	cm <sup>4</sup>
$W_x$	5.8	cm <sup>3</sup>
$W_y$	5.8	cm <sup>3</sup>
Weight	1767	g/m

Code No. Clamping profile KLV 40-90			Clamping range	Anodised
4485100	Cut to size	max. 6000 mm	0-6 mm	Clear
4485101	Bar	6000 mm	0-6 mm	Clear
4485000	Cut to size	max. 6000 mm	4-10 mm	Clear
4485001	Bar	6000 mm	4-10 mm	Clear

Code No. Corner joint	Type	lot sizes
4482406	KLW 40-90	-

### ESP 40x40



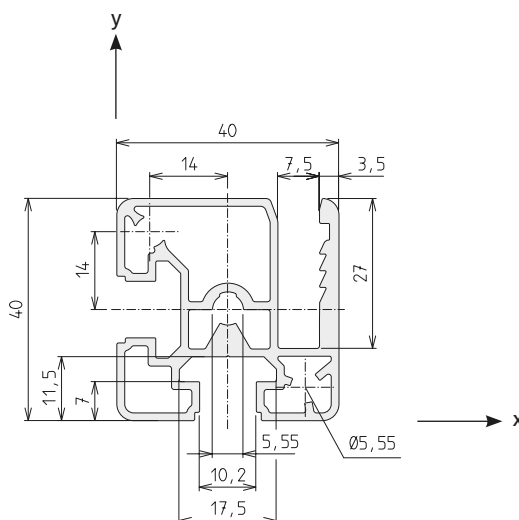
Area	405	mm <sup>2</sup>
$I_x$	6.1	cm <sup>4</sup>
$I_y$	7.3	cm <sup>4</sup>
$W_x$	2.7	cm <sup>3</sup>
$W_y$	3.5	cm <sup>3</sup>
Weight	1095	g/m

Code No. Inserting profile ESP 40x40			Anodised
4905000	Cut to size	max. 6000 mm	Clear
4905001	Bar	6000 mm	Clear

Code No.	Type	lot sizes
4212406	Corner joint KL 40	4, 8, 12... pcs
4016579	Wire mesh 40x40x3.8 Galvanised steel, max. size 2x3 m	-



### ESP 40x40/2

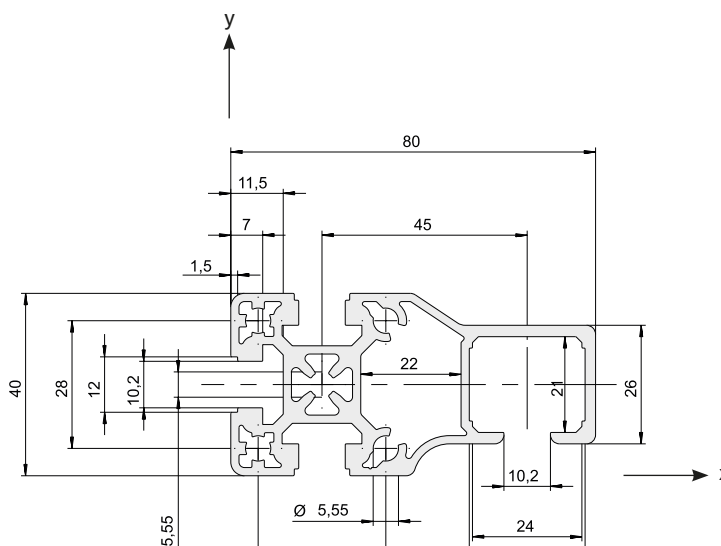


Code No. Inserting profile ESP 40x40			Anodised
4945000	Cut to size	max. 6000 mm	Clear
4945001	Bar	6000 mm	Clear

Area	457	mm <sup>2</sup>
I <sub>x</sub>	6.3	cm <sup>4</sup>
I <sub>y</sub>	7.7	cm <sup>4</sup>
W <sub>x</sub>	3.0	cm <sup>3</sup>
W <sub>y</sub>	3.6	cm <sup>3</sup>
Weight	1234	g/m


Code No.	Type	lot sizes
4212406	Corner joint KL 40	4, 8, 12... pcs
4016579	Wire mesh 40x40x3.8 Galvanised steel, max. size 2x3 m	-

### STP-40



Code No. Sliding door profile STP-40			Anodised
4185000	Cut to size	max. 6000 mm	Clear
4185001	Bar	6000 mm	Clear

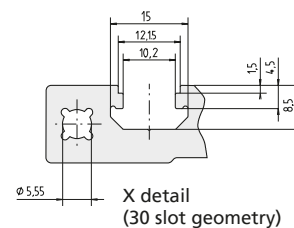
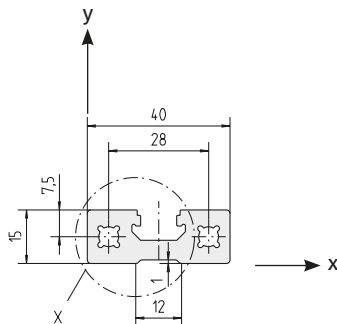
Area	815	mm <sup>2</sup>
I <sub>x</sub>	12.5	cm <sup>4</sup>
I <sub>y</sub>	46.5	cm <sup>4</sup>
W <sub>x</sub>	6.1	cm <sup>3</sup>
W <sub>y</sub>	9.7	cm <sup>3</sup>
Weight	2199	g/m

Connection	Slot geometry	Flange bracket	lot sizes	Code No.
 long. + transverse	30	40	10, 20, 30... pcs	4816703
	40	40	10, 20, 30... pcs	4816702

## Functional profiles

# Special profiles / size 15

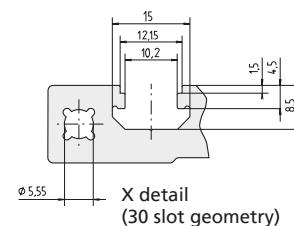
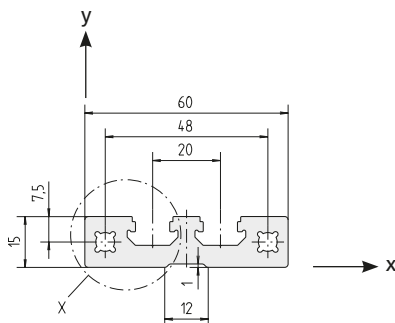
### 15x40



Area	421	mm <sup>2</sup>
$I_x$	0.8	cm <sup>4</sup>
$I_y$	6.6	cm <sup>4</sup>
$W_x$	1.3	cm <sup>3</sup>
$W_y$	3.3	cm <sup>3</sup>
Weight	1137	g/m

Code No. Profile 15x40			Anodised	
4385000	Cut to size	max. 3000 mm	Clear	
4385001	Bar	3000 mm	Clear	
Connection	Quantity required per conn.	Slot geometry	Flange bracket	Code No.
long.	2	30	15	4386704
	2	40	15	4386705

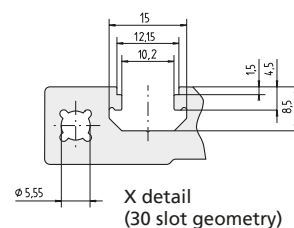
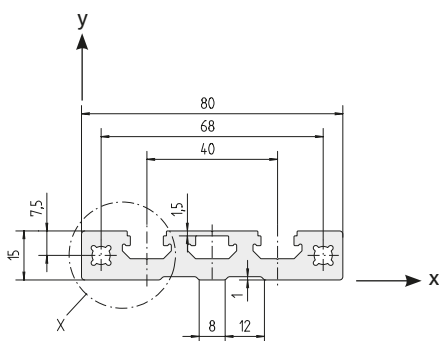
### 15x60



Area	619	mm <sup>2</sup>
$I_x$	1.2	cm <sup>4</sup>
$I_y$	21.0	cm <sup>4</sup>
$W_x$	1.9	cm <sup>3</sup>
$W_y$	7.0	cm <sup>3</sup>
Weight	1670	g/m

Code No. Profile 15x60			Anodised	
4345000	Cut to size	max. 3000 mm	Clear	
4345001	Bar	3000 mm	Clear	
Connection	Quantity required per conn.	Slot geometry	Flange bracket	Code No.
long.	2	30	15	4386704
	2	40	15	4386705

### 15x80

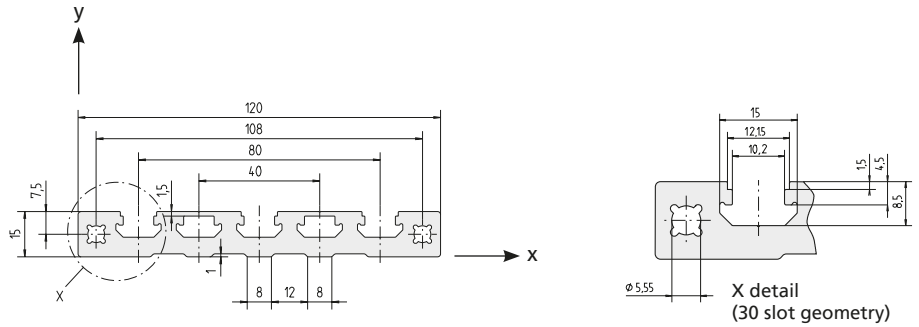


Area	823	mm <sup>2</sup>
$I_x$	1.7	cm <sup>4</sup>
$I_y$	47.8	cm <sup>4</sup>
$W_x$	2.5	cm <sup>3</sup>
$W_y$	11.9	cm <sup>3</sup>
Weight	2220	g/m

Code No. Profile 15x80			Anodised	
4355000	Cut to size	max. 3000 mm	Clear	
4355001	Bar	3000 mm	Clear	
Connection	Quantity required per conn.	Slot geometry	Flange bracket	Code No.
long.	2	30	15	4386704
	2	40	15	4386705



## 15x120

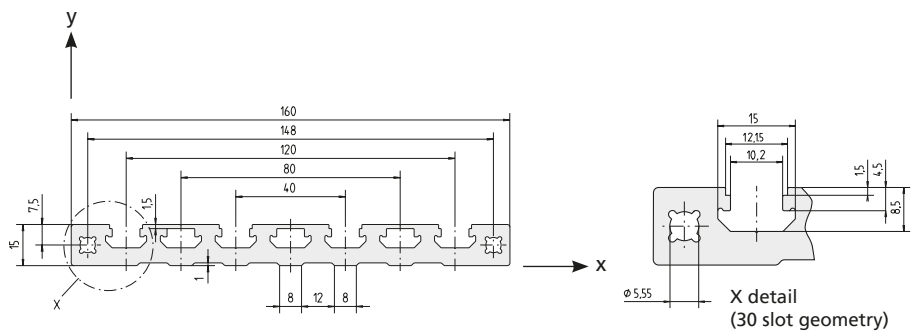


Code No. Profile 15x120			Anodised
4365000	Cut to size	max. 6000 mm	Clear
4365001	Bar	6000 mm	Clear

Area	1213	mm <sup>2</sup>
$I_x$	2.4	cm <sup>4</sup>
$I_y$	154.9	cm <sup>4</sup>
$W_x$	3.6	cm <sup>3</sup>
$W_y$	25.8	cm <sup>3</sup>
Weight	3270	g/m

Connection	Quantity required per conn.	Slot geometry	Flange bracket	Code No.
long.	2	30	15	4386704
long.	2	40	15	4386705

## 15x160



Code No. Profile 15x160			Anodised
4375000	Cut to size	max. 6000 mm	Clear
4375001	Bar	6000 mm	Clear

Area	1602	mm <sup>2</sup>
$I_x$	3.1	cm <sup>4</sup>
$I_y$	359.0	cm <sup>4</sup>
$W_x$	4.8	cm <sup>3</sup>
$W_y$	44.9	cm <sup>3</sup>
Weight	4320	g/m

Connection	Quantity required per conn.	Slot geometry	Flange bracket	Code No.
long.	2	30	15	4386704
long.	2	40	15	4386705

## Functional profiles

# Special profiles M-BLOCAN®/ size 20

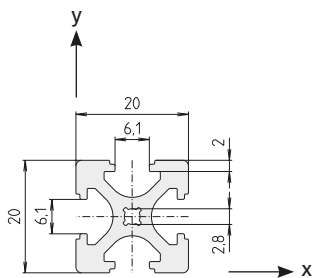
### Order instruction:

- Purchase only in lot sizes and a multiple of that see product table below

### F-20x20



Area	198	mm <sup>2</sup>
$I_x$	0.8	cm <sup>4</sup>
$I_y$	0.8	cm <sup>4</sup>
$W_x$	0.8	cm <sup>3</sup>
$W_y$	0.8	cm <sup>3</sup>
Weight	533	g/m



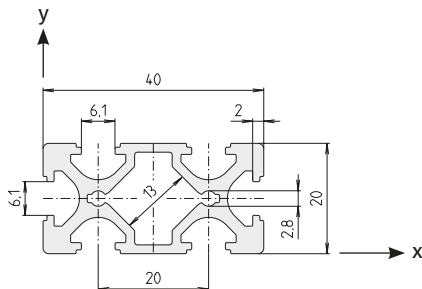
Code No. Profile F-20x20			Anodised
E01000BBA	Cut to size	max. 3000 mm	Clear
E01000BBC	Bar	3000 mm	Clear

Connection	To slot geom.	Flange bracket kit	lot sizes	Code No.
long.+ transverse	20	F-20x20	10, 20, 30... pcs	E01007AAE
	30	Adapter	–	E01009AAE
	40	Adapter	–	E01012AAE

### F-20x40



Area	313.2	mm <sup>2</sup>
$I_x$	1.31	cm <sup>4</sup>
$I_y$	5.39	cm <sup>4</sup>
$W_x$	1.31	cm <sup>3</sup>
$W_y$	2.69	cm <sup>3</sup>
Weight	846	g/m



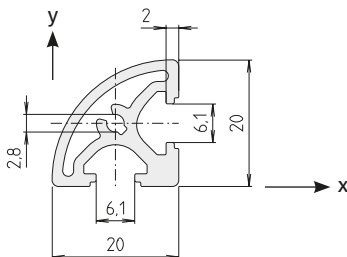
Code No. Profile F-20x40			Anodised
E03000BBA	Cut to size	max. 6000 mm	Clear
E03000BBC	Bar	6000 mm	Clear

Connection	To slot geom.	Flange bracket kit	lot sizes	Code No.
transverse	20	F-20x40	10, 20, 30... pcs	E01007AAE
long.	20	F-20x40	10, 20, 30... pcs	E03007AAE
	30	Adapter	–	E03009AAE
	40	Adapter	–	E03012AAE

### F-R 20



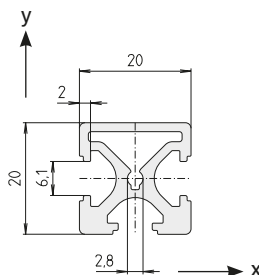
Area	154.50	mm <sup>2</sup>
$I_x$	0.54	cm <sup>4</sup>
$W_x$	0.63	cm <sup>3</sup>
$W_y$	0.48	cm <sup>3</sup>
Weight	416	g/m



Code No. Profile F-R 20			Anodised
E02000BBA	Cut to size	max. 3000 mm	Clear
E02000BBC	Bar	3000 mm	Clear



Connection	To slot geom.	Flange bracket kit	lot sizes	Code No.
long.+ transverse	20	F-R 20	10, 20, 30... pcs	E02007AAE
	30	Adapter	–	E07009AAE
	40	Adapter	–	E07012AAE

## F-G 20x20

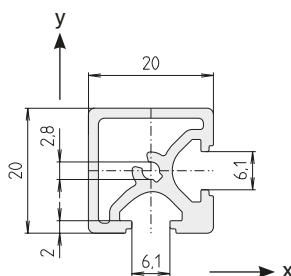


Area	182.00	mm <sup>2</sup>
$I_x$	0.77	cm <sup>4</sup>
$I_y$	0.71	cm <sup>4</sup>
$W_x$	0.792	cm <sup>3</sup>
$W_y$	0.714	cm <sup>3</sup>
Weight	491	g/m

Code No. Profile F-G 20x20			Anodised
<b>E07000BBA</b>	Cut to size	max. 3000 mm	Clear
<b>E07000BBC</b>	Bar	3000 mm	Clear


Connection	To slot geom.	Flange bracket kit	lot sizes	Code No.
 Long	20	F-G 20x20	10, 20, 30... pcs	<b>E01007AAE</b>
	30	Adapter	–	<b>E01009AAE</b>
	40	Adapter	–	<b>E01012AAE</b>
 Short	20	F-G 20x20	10, 20, 30... pcs	<b>E07007AAE</b>
	30	Adapter	–	<b>E07009AAE</b>
	40	Adapter	–	<b>E07012AAE</b>

## F-GG 20x20



Area	166.00	mm <sup>2</sup>
$I_x$	0.72	cm <sup>4</sup>
$W_x$	0.74	cm <sup>3</sup>
$W_y$	0.70	cm <sup>3</sup>
Weight	450	g/m

Code No. Profile F-GG 20x20			Anodised
<b>E08000BBA</b>	Cut to size	max. 3000 mm	Clear
<b>E08000BBC</b>	Bar	3000 mm	Clear

Connection	To slot geom.	Flange bracket kit	lot sizes	Code No.
 Short	20	F-GG 20x20	10, 20, 30... pcs	<b>E07007AAE</b>
	30	Adapter	–	<b>E07009AA</b>
	40	Adapter	–	<b>E07012AAE</b>

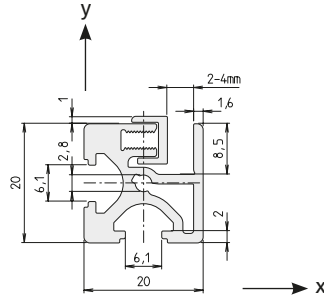
**Functional profiles**

**Special profiles M-BLOCAN®/ size 20**

**Order instruction:**

- Purchase only in lot sizes and a multiple of that see product table below

**Clamping profile KL 20x20**

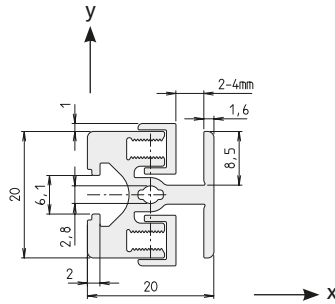


Area	182.90 mm <sup>2</sup>
I <sub>x</sub>	0.70 cm <sup>4</sup>
I <sub>y</sub>	0.74 cm <sup>4</sup>
W <sub>x</sub>	0.79 cm <sup>3</sup>
W <sub>y</sub>	0.80 cm <sup>3</sup>
Weight	493 g/m

Code No. Profile KL 20x20			Anodised
E04000BBB	Cut to size	max. 3000 mm	Clear
E04000BBD	Bar	3000 mm	Clear

Code No. Corner joint	Type	lot sizes
E04036BHE	KL 20x20	-

**Clamping profile KLD 20x20**

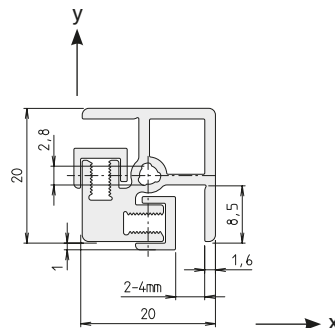


Area	185.50 mm <sup>2</sup>
I <sub>x</sub>	0.69 cm <sup>4</sup>
I <sub>y</sub>	0.71 cm <sup>4</sup>
W <sub>x</sub>	0.69 cm <sup>3</sup>
W <sub>y</sub>	0.79 cm <sup>3</sup>
Weight	500 g/m

Code No. Profile KLD 20x20			Anodised
E05000BBB	Cut to size	max. 3000 mm	Clear
E05000BBD	Bar	3000 mm	Clear

Code No. Corner joint	Type	lot sizes
E00041BHE	KLK 20x20	-

**Clamping profile KLE 20x20**



Area	170.90 mm <sup>2</sup>
I <sub>x</sub>	0.67 cm <sup>4</sup>
I <sub>y</sub>	0.67 cm <sup>4</sup>
W <sub>x</sub>	0.64 cm <sup>3</sup>
W <sub>y</sub>	0.71 cm <sup>3</sup>
Weight	462 g/m

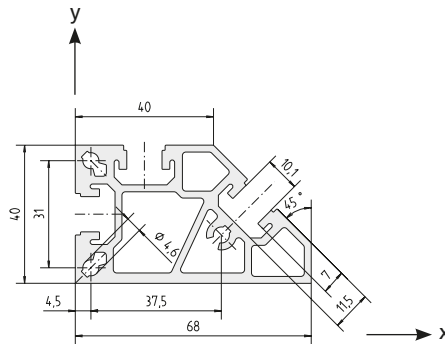
Code No. Profile KLE 20x20			Anodised
E09000BBB	Cut to size	max. 3000 mm	Clear
E09000BBD	Bar	3000 mm	Clear

Code No. Corner joint	Type	lot sizes
E09035BHE	KLE 20x20	-



## Special profiles / size 40

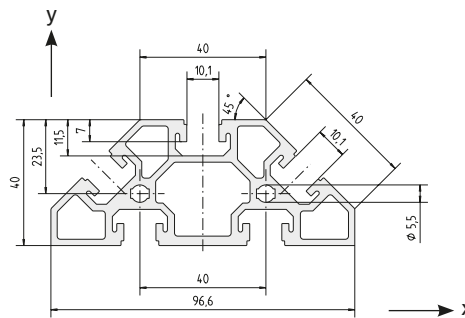
### 2x40



Area	838	mm <sup>2</sup>
$I_x$	14.2	cm <sup>4</sup>
$I_y$	32.8	cm <sup>4</sup>
$W_x$	7.9	cm <sup>3</sup>
$W_y$	11.3	cm <sup>3</sup>
Weight	2262	g/m

Code No. Profile 2x40			Anodised
4155000	Cut to size	max. 6000 mm	Clear
4155001	Bar	6000 mm	Clear

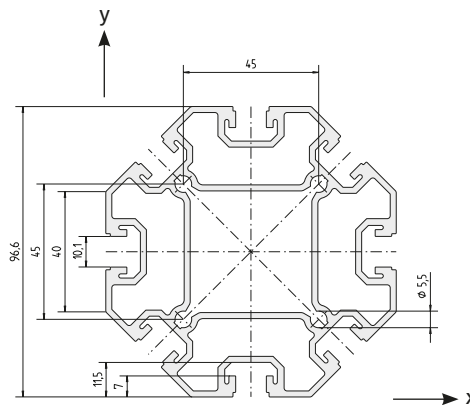
### 3x40



Area	1019	mm <sup>2</sup>
$I_x$	14.8	cm <sup>4</sup>
$I_y$	68.2	cm <sup>4</sup>
$W_x$	8.8	cm <sup>3</sup>
$W_y$	14.1	cm <sup>3</sup>
Weight	2751	g/m

Code No. Profile 3x40			Anodised
4255000	Cut to size	max. 6000 mm	Clear
4255001	Bar	6000 mm	Clear

### 8x40



Area	1700	mm <sup>2</sup>
$I_x$	133.4	cm <sup>4</sup>
$I_y$	133.4	cm <sup>4</sup>
$W_x$	27.6	cm <sup>3</sup>
$W_y$	27.6	cm <sup>3</sup>
Weight	4590	g/m

Code No. Profile 8x40			Anodised
4055000	Cut to size	max. 6000 mm	Clear
4055001	Bar	6000 mm	Clear

Functional profiles

# Right-angle connections

## Versions



Flange bracket connection



Slot stone -L/E-II



Hidden screw set -B-



Compatibility connector



Bracing plate



Connecting plate



Profile angle bracket



Angle bracket -cast-



Angle bracket -sheet steel-



Corner clamp WV



Corner joint



# Table of contents

## Connection techniques

### Right-angle connections

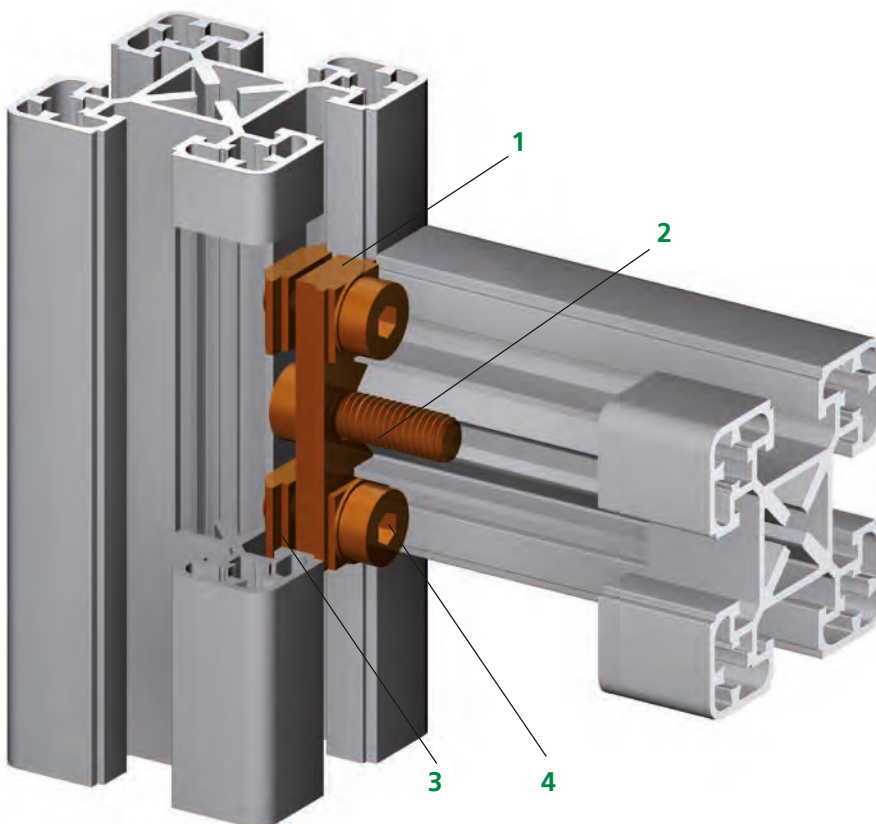
Flange bracket connection .....	p. 220
Flange brackets .....	p. 222
Slot stone -L/E- .....	p. 224
Hidden screw set -B- .....	p. 224
Compatibility connector .....	p. 225
Bracing plate .....	p. 226
Connecting plate.....	p. 228
Profile angle bracket.....	p. 229
Angle brackets -cast-.....	p. 231
Angle brackets -sheet steel- .....	p. 234
Corner clamp WV .....	p. 235
Corner joint .....	p. 236

## Functional profiles

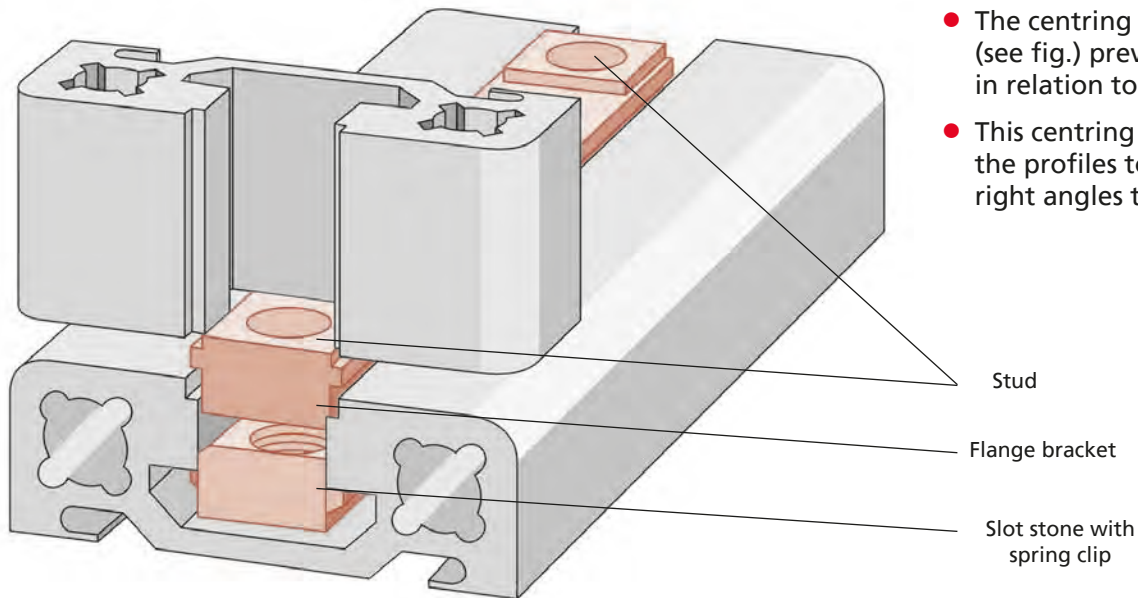
# Right-angle connections

### Flange bracket connection

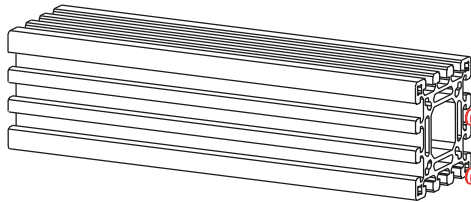
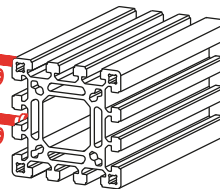
- The flange bracket is the simplest and most cost-efficient method of connecting profiles.
- No additional machining necessary
- Direct fixing in the profile screw channels
- Direct insertion of RK expansion screws or standard DIN socket head cap screws
- Very stable
- Only a list of profile cut lengths is required
- Minimal effort required in construction
- Can be disconnected at any time



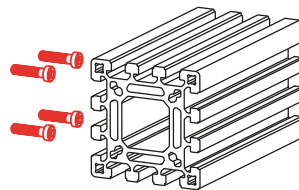
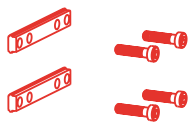
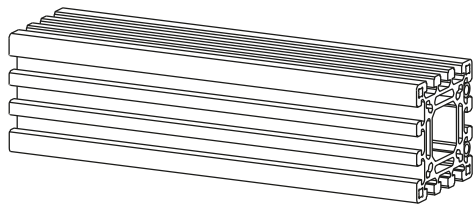
1. Flange bracket
2. Socket head cap screw/RK expansion screw
3. Slot stone with spring clip
4. Socket head cap screw

**Position diagram**


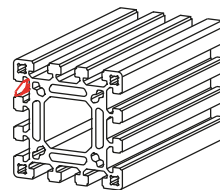
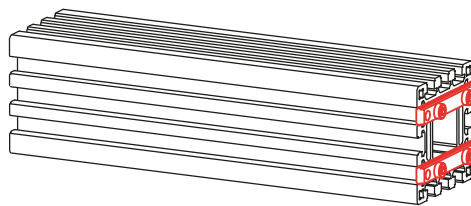
- The centring action of the studs (see fig.) prevent profile torsion in relation to one another
- This centring effect also allows the profiles to be assembled at right angles to each other.

**Profile 1**

**Profile 2**


**Step 1**  
 Insert flange bracket (studs engage in profile slots) into profile 1 and fix with hexagon socket screws  
 Self-centred by studs  
 Cutting oil and using a drill make it easier to insert the screws.



**Step 2**  
 Slide/insert the slot stones with spring clip into profile 2 and slide them into the correct position.



**Step 3**  
 Put the two profiles together and connect the flange bracket to the slot stones with spring clip.

## Functional profiles

# Right-angle connections

### Order instruction: flange bracket

- Purchase only in lot sizes and a multiple of that see product table below
- Each Code No. includes one flange bracket and fastenings.

Material: zinc plated

### Flange brackets

- For static loads
- Depending on the orientation of the connection (longitudinal or transverse), the appropriate number of flange brackets must be ordered.

Image:

Material: zinc plated



Code No.	Type	lot sizes	To slot geom.	For profile (quantity required per connection)
4386704	15	-	30	15x40 (2), 15x60 (2), 15x80 (2), 15x120 (2), 15x160 (2)
4386705	15	-	40	15x40 (2), 15x60 (2), 15x80 (2), 15x120 (2), 15x160 (2)
4566700	40 (K)	10, 20, 30... pcs	30	F-G 40x40 (1x), F-GG 40x40 (1x), F-3G 40x40 (1x)
4566701	40 (K)	10, 20, 30... pcs	40	F-G 40x40 (1x), F-GG 40x40 (1x), F-3G 40x40 (1x)
4546700	40 (N)	-	40	F-G 40x40 (1x), F-G 40x80 (1x), F-GG 40x40 (1x), F-3G 40x40 (1x), F-GG 40x80 (2x)
4A66700	50 (N)	-	40	F-G 50x50 (1x), F-GG 50x50 (1x), F-3G 50x50 (1x)
4A26700	60 (N)	-	40	F-G 60x60 (1x), F-2G 60x60 (1x), F-3G 60x60 (1x)
4586702	80 (EL)	-	40	F-GG 40x80 (1x), F-G 80x80 (2x), F-GG 80x80 (2x), F-3G 80x120-A (2x)
4586703	80 (N)	-	40	F-G 80x80 (2x), F-GG 80x80 (2x)
4966700	120 (A)	-	40	F-3G 80x120-A (2x)

Flange bracket "extra long" (EL) for larger profile cross-sections

Image:

Material: zinc plated

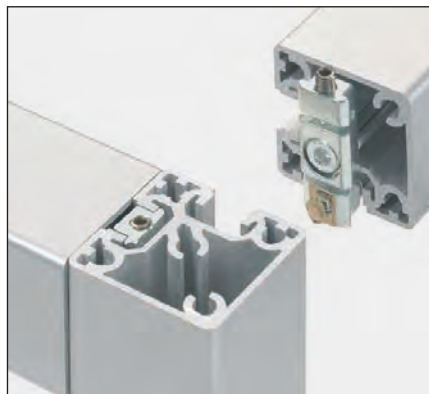


Code No.	Type	lot sizes	To slot geom.	For profile (quantity required per connection)
4306709	30	10, 20, 30... pcs	30	F-G 30x30 (1x), F-2G 30x30 (1x)
4306710	30	10, 20, 30... pcs	40	F-G 30x30 (1x), F-2G 30x30 (1x)
4106702	30 (K)	10, 20, 30... pcs	30	F-G 30x30 (1x), F-GG 30x30 (1x), F-3G 30x30 (1x), F-R 30 (1x)
4106703	30 (K)	10, 20, 30... pcs	40	F-G 30x30 (1x), F-GG 30x30 (1x), F-3G 30x30 (1x)
4816703	40	10, 20, 30... pcs	30	F-G 40x40 (1x), F-2G 40x40 (1x)
4086706	50	10, 20, 30... pcs	30	F-G 50x50 (1x), F-2G 50x50 (1x)
4086702	50	10, 20, 30... pcs	40	F-G 50x50 (1x), F-2G 50x50 (1x)
4226706	60	10, 20, 30... pcs	30	F-G 60x60 (1x), F-2G 60x60 (1x)
4226702	60	10, 20, 30... pcs	40	F-G 60x60 (1x), F-2G 60x60 (1x)
4316706	80	10, 20, 30... pcs	30	F-GG 40x80 (1x), F-G 40x80 (1x), F-G 80x80, F-2G 80x80 (2x)

Flange slot stone -N- (N)

Image:

Material: zinc plated





### Flange brackets

Image:

Material: stainless steel



Material: stainless steel

Code No.	Type	lot sizes	To slot geom.	For profile (quantity required per connection)
4819702	40	-	40	F-40x40 (1x), F-40x40-L (1x), F-40x80 (2x), F-40x80-L (2x), F-40x80/3 (2x), F-40x120 (3x), F-40x160 (4x)
4249702	80	-	40	F-30x80 (1x), F-40x80 (1x), F-40x80-L (1x), F-40x80/3 (1x), F-80x80 (2x), F-80x80/2 (2x), F-80x80/2-L (2x), F-80x80-L (1x), F-80x120 (3x), F-80x160 (4x), F-80x160-L (4x)

Required number of flange brackets to fully assemble two profiles.

- With equipotential bonding

Image:

Material: zinc plated



- The -PA- slot stones have an equipotential bonding effect by destroying the anodised layer.

Material: zinc plated

Code No.	Type	lot sizes	To slot geom.	For profile (quantity required per connection)
4306c09	30	10, 20, 30... pcs	30	F-G 30x30 (1x), F-2G 30x30 (1x)
4816c02	40	10, 20, 30... pcs	40	F-G 40x40 (1x), F-2G 40x40 (1x)
4086c02	50	10, 20, 30... pcs	40	F-G 50x50 (1x), F-2G 50x50 (1x)
4226c02	60	10, 20, 30... pcs	40	F-G 60x60 (1x), F-2G 60x60 (1x)
4246c02	80	10, 20, 30... pcs	40	F-G 40x80 (1x), F-G 80x80, F-2G 80x80 (2x)

- For low dynamic loads (For RK expansion screw, please see page 263)

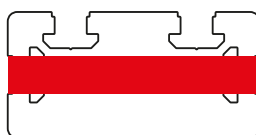
Image:

Material: zinc plated

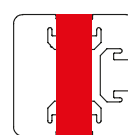


Code No.	Type	lot sizes	To slot geom.	For profile (quantity required per connection)
4246700	80	10, 20, 30... pcs	40	F-G 80x80 (2x)

Required number of flange brackets to fully assemble two profiles.



F-G 40x80 profile  
Connection -long-  
(to 40 slot geometry) 1x  
Code No. 4246c02



F-G 40x40 profile  
Connection -transverse-  
(to 40 slot geometry) 1x  
Code No. 4816c02

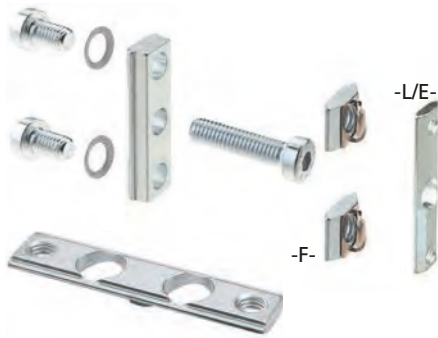
**Functional profiles**

# Right-angle connections

**Order instruction:**

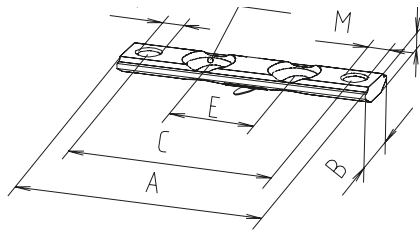
- Purchase only in lot sizes and a multiple of that see product table below

**Slot stone -L/E- II**  
(with hole)

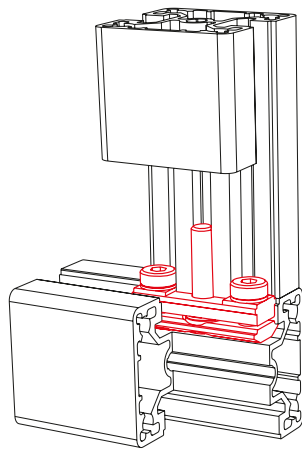


- The greater supporting surface reduces the surface pressure
- In the flange bracket sets, the standard -F- slot stones can be replaced by -L/LE- slot stones with hole.

**Material:** Galvanised steel



Only have one hole:  
Slot stones -L- II types M5 / 29, M6 / 38  
Slot stone -E- II type M6 / 38

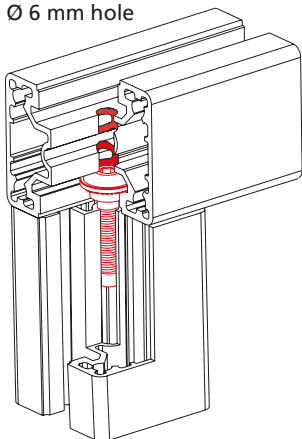


Code No.	Type	lot sizes	Slot geom.	A	B	C	D	E	F	M
<b>Slot stone -L- II</b>										
4006207	M5 / 29	10, 20, 30... pcs	30	29	12	21.5	4	0	8.5	M5
4016206	M6 / 38	10, 20, 30... pcs	40	38	14	28	4	0	10.2	M6
4016207	M6 / 48	10, 20, 30... pcs	40	48	14	38	4	15.5	10.2	M6
4016208	M6 / 58	10, 20, 30... pcs	40	58	14	48	4	20	10.2	M6
4046206	M6 / 78	10, 20, 30... pcs	40	78	14	68	4	40	10.2	M6
<b>Slot stone -E- II (slide-in)</b>										
4006224	M6 / 38	10, 20, 30... pcs	40	38	16.5	28	3.8	0	10.2	M6
4006239	M6 / 58	10, 20, 30... pcs	40	58	16.5	48	3.8	15.5	10.2	M6
4006240	M6 / 78	10, 20, 30... pcs	40	78	16.5	68	3.8	40	10.2	M6

**Hidden screw set -B- (shoulder screw)**



Ø 6 mm hole

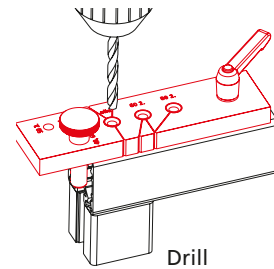


- Cost-effective connection technique for profiles with 30 and 40 slot geometry.
- Self-tapping – Threading not required

**Material:** Galvanised steel

**Assembly:**

1. Drill a 6 mm hole (e.g. with RK drilling fixture) at the required position in the crossing profile.
2. Insert the hidden screw into the profile slot as far as the hole.
3. Insert T-handle key through the hole and into the shoulder screw and screw the two profiles to one another.



Code No.	Type	lot sizes	Type
4576510	F-30x30	10, 20, 30... pcs	Hidden screw -B- M5x25
4816510	F-40x40		Hidden screw -B- M6x30
4016516	-	-	Drilling fixture for hidden scrwe -B-



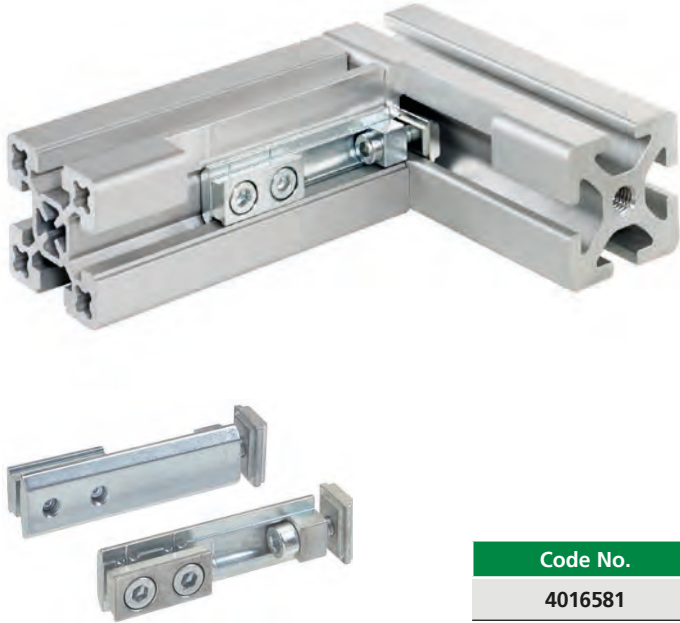


### Compatibility connector 40

- The compatibility connector allows BLOCAN® profiles to be connected to aluminium profiles of other manufacturers.

**Material:** Galvanised steel

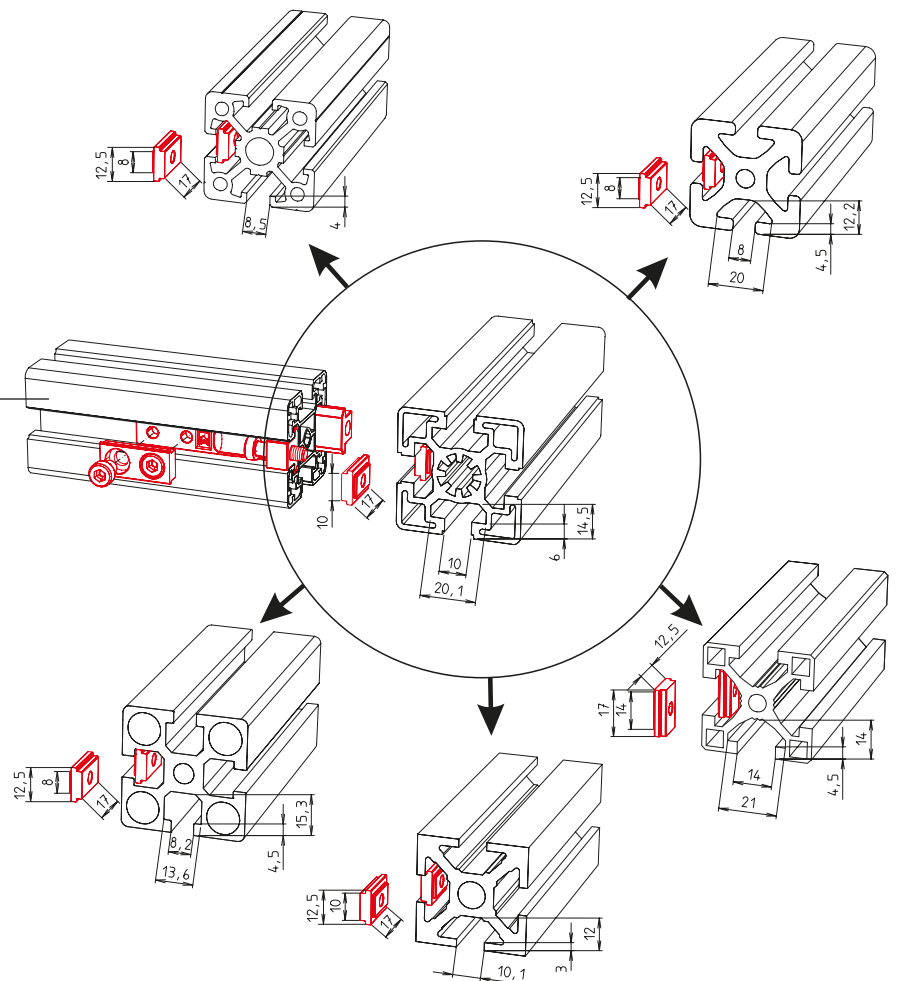
**Includes:**  
2 connectors with fastenings



Code No.	Type	Suitable for slot widths
4016581	Compatibility connector 40	8, 10, 14 mm

### Position diagram

RK profile, 40 slot geometry



## Functional profiles

# Right-angle connections

### Bracing plates

#### Features:

- Superficial bracing of the three most important junctions L, T, X
- Panels and wire mesh do not need to be notched, as is usually the case with angle brackets.

#### Material:

black powder-coated steel or grey powder-coated steel

#### Fixing material

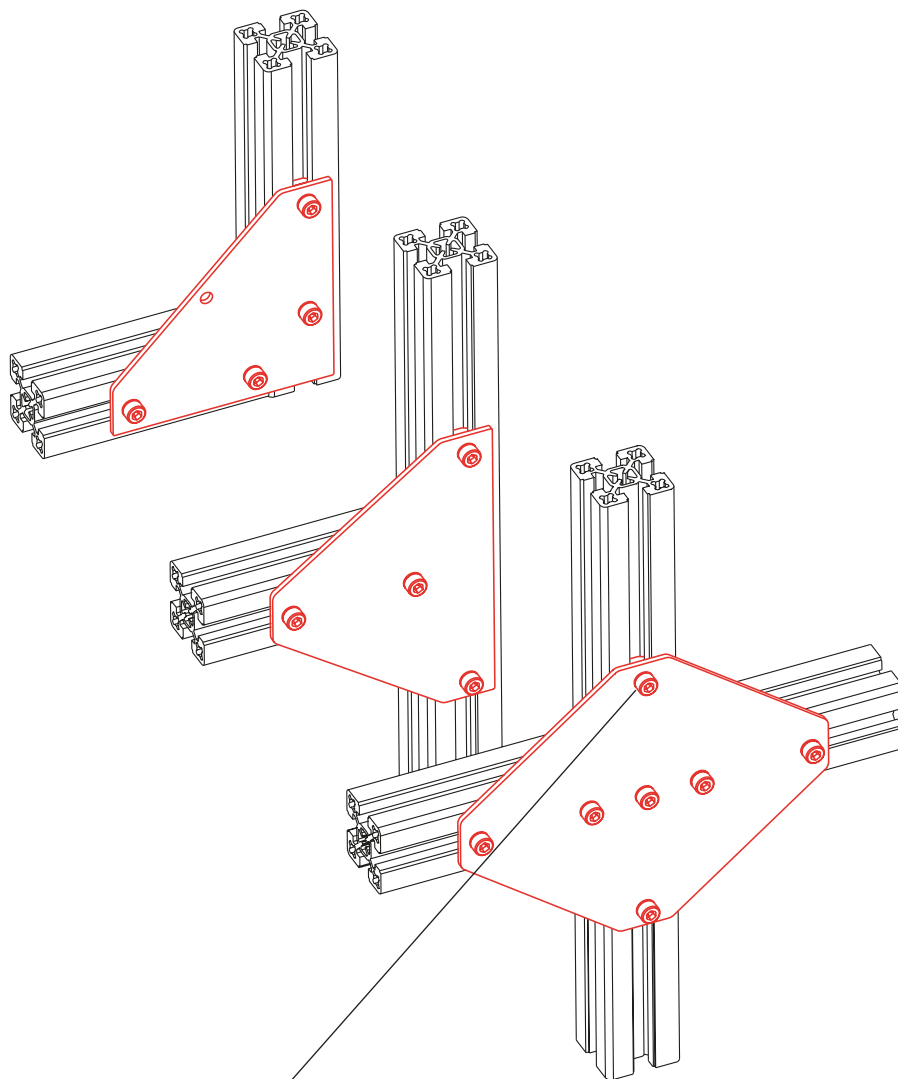
galvanised fastenings

**Includes:** Bracing plate complete with fixing sets

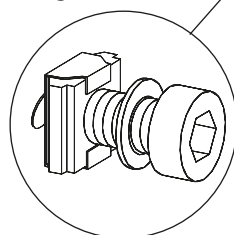
grey RAL 9006

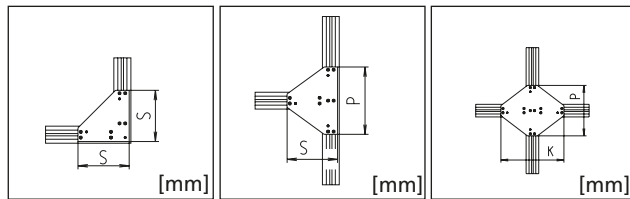


black RAL 9005



Fixing set





Code No.	Type	Wall thickness	Type L	Type T	Type X	colour
4002113	30x30	3 mm	S = 90			grey
4002183	30x30	3 mm		S = 90 / P = 120		grey
4002111	30x30	3 mm	S = 90			black
4002181	30x30	3 mm		S = 90 / P = 120		black
4002191	30x30	3 mm			P = 120 / K = 150	black
4012113	40x40	3 mm	S = 120			grey
4012183	40x40, 40x40-L	3 mm		S = 120 / P = 160		grey
4012111	40x40, 40x40-L	3 mm	S = 120			black
4012181	40x40, 40x40-L	3 mm		S = 120 / P = 160		black
4012191	40x40, 40x40-L	3 mm			P = 160 / K = 200	black
4082113	F-50x50, F-50x50-L	4 mm	S = 150			grey
4082183	F-50x50, F-50x50-L	4 mm		S = 150 / P = 200		grey
4082111	F-50x50, F-50x50-L	4 mm	S = 150			black
4082181	F-50x50, F-50x50-L	4 mm		S = 150 / P = 200		black
4082191	F-50x50, F-50x50-L	4 mm			P = 200 / K = 250	black
4122113	F-60x60	4 mm	S = 180			grey
4122183	F-60x60	4 mm		S = 180 / P = 240		grey
4122111	F-60x60	4 mm	S = 180			black
4122181	F-60x60	4 mm		S = 180 / P = 240		black
4122191	F-60x60	4 mm			P = 240 / K = 300	black
4222113	F-60x60-L, F-60x60/1	4 mm	S = 180			grey
4222183	F-60x60-L, F-60x60/1	4 mm		S = 180 / P = 240		grey
4222111	F-60x60-L, F-60x60/1	4 mm	S = 180			black
4222181	F-60x60-L, F-60x60/1	4 mm		S = 180 / P = 240		black
4222191	F-60x60-L, F-60x60/1	4 mm			P = 240 / K = 300	black
4242113	F-80x80-L	4 mm	S = 240			grey
4242183	F-80x80-L	4 mm		S = 240 / P = 320		grey
4242111	F-80x80-L	4 mm	S = 240			black
4242181	F-80x80-L	4 mm		S = 240 / P = 320		black
4242191	F-80x80-L	4 mm			P = 320 / K = 400	black
4042113	80x80, F-80x80/2-L, F-80x80/2	4 mm	S = 240			grey
4042183	80x80, F-80x80/2-L, F-80x80/2	4 mm		S = 240 / P = 320		grey
4042111	80x80, F-80x80/2-L, F-80x80/2	4 mm	S = 240			black
4042181	80x80, F-80x80/2-L, F-80x80/2	4 mm		S = 240 / P = 320		black
4042191	80x80, F-80x80/2-L, F-80x80/2	4 mm			P = 320 / K = 400	black

Bracing plates 60x120 and 80x160 (black) Typ L, T, X on request.  
 Bracing plates Type L, T, X aluminium on request.

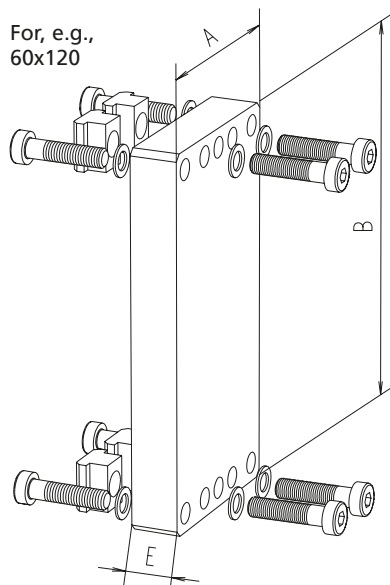
## Functional profiles

# Right-angle connections

## Connecting plate

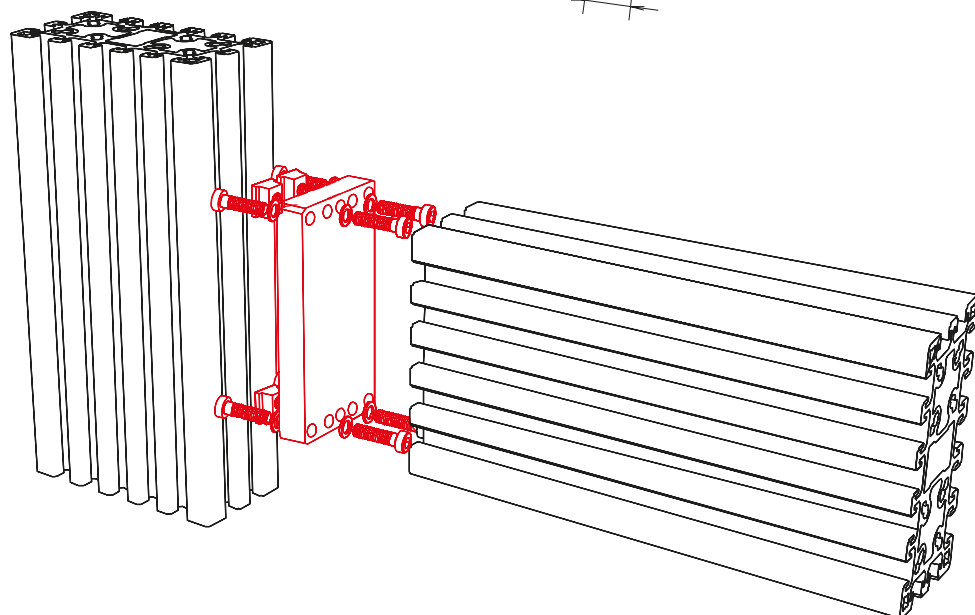


Slot stone -N-



- The connecting plates allow profiles to be fixed in the profile slots at the sides.

**Material:** Aluminium,  
galvanised steel fastenings  
**Includes:** Connecting plate  
complete with accessories



Code No.	Type	A	B	E
<b>Connecting plate connection – face-to-slot</b>				
4645411	F-40x120	40	120	15
4655411	F-40x160	40	160	15
4085412	F-50x50, F-50x50-L, F-G/2G 50x50	50	50	15
4665411	F-50x100	50	100	15
4675411	F-50x200	50	200	15
4225412	F-60x60-L, F-60x60/1, F-G/2G 60x60	60	60	15
4125412	F-60x60	60	60	15
4065411	F-60x120	60	120	15
4035412	F-40x80, F-40x80/3	40	80	15
4045412	F-80x80, F-G/2G 80x80	80	80	15
4245412	F-80x80-L	80	80	15
4685411	F-80x120	80	120	15
4075411	F-80x160	80	160	15
4695411	F-100x100	100	100	15



### Profile angle bracket Bar material

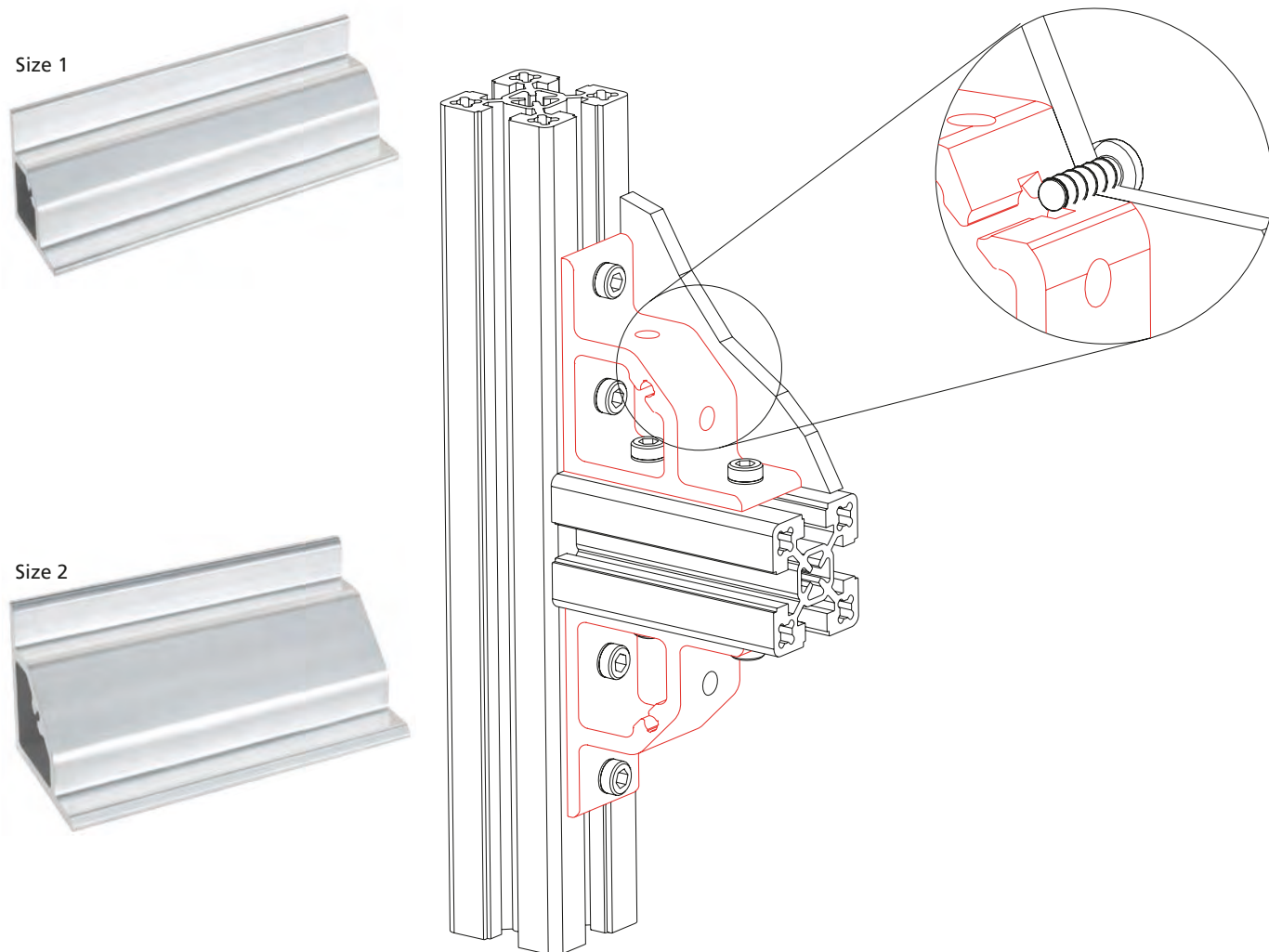
- Made from aluminium extruded profiles.
- With integrated screw channel for fastening panels.

**Material:** Aluminium.  
Non-anodised bar  
Angle tolerance  $90^{\circ} \pm 5'$ .

**Fixing sets:**  
The angle brackets can be screwed to the profile with the fixing sets.

Further slot stone versions can be found on page 254

**Includes:**  
1 screw with washer and slot stone.



For dimension table, please see opposite page

Code No.				
4010102	Size 1	Cut to required length	max. 3000 mm	Non-anodised
4010103		Bar	3000 mm	Non-anodised
4030102	Size 2	Cut to required length	max. 3000 mm	Non-anodised
4030103		Bar	3000 mm	Non-anodised

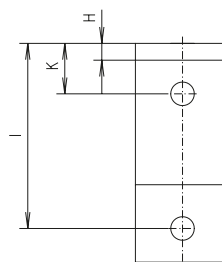
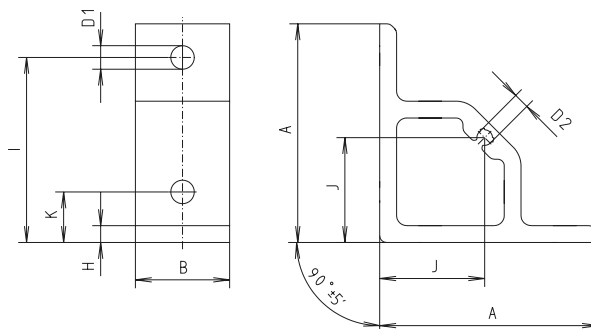
## Functional profiles

# Right-angle connections

### Order instruction:

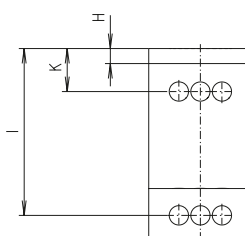
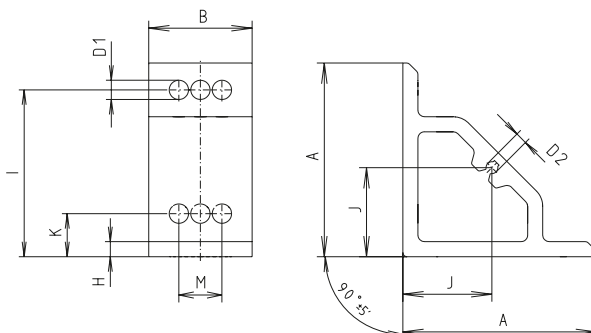
- Purchase only in lot sizes and a multiple of that see product table below

### Profile angle bracket, size 1



### Profile angle bracket, size 2

Figure shows type 40



[mm]

Code No.	Type	Version	A	B	D1	D2	H	I	J	K	M
4015101	40	Size 1	64.15	28	7	4.65	4.15	55	30.3	20	-
4085101	50	Size 1	64.15	38	7	4.65	4.15	55	30.3	15	-
4035101	40	Size 2	89.3	28	9	5.55	6.3	77.5	40.65	20	-
4125101	60	Size 2	89.3	48	9	5.55	6.3	77.5	40.65	20	20
4145101	80	Size 2	89.3	68	9	5.55	6.3	77.5	40.65	20	40

Code No.	Size	Version	lot sizes
Fixing sets (1 slot stone with screw, washer)			
4015105	1	M6x16, slot stone -N-	10, 20, 30... pcs
4035110	2	M8x18, slot stone -N-	10, 20, 30... pcs
4015106	1	M6x16, slot stone -K-	10, 20, 30... pcs
4035111	2	M8x18, slot stone -K-	10, 20, 30... pcs
4015107	1	M6x16, slot stone -R-	10, 20, 30... pcs
4035112	2	M8x18, slot stone -R-	10, 20, 30... pcs

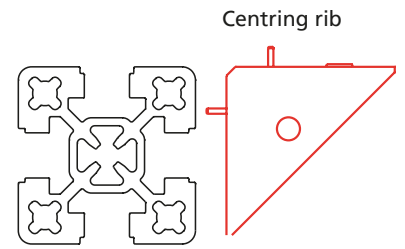


### Angle bracket -cast-

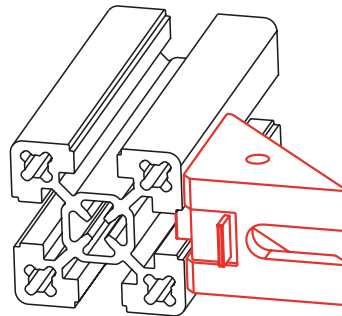
**Material:** Gravity die-cast aluminium



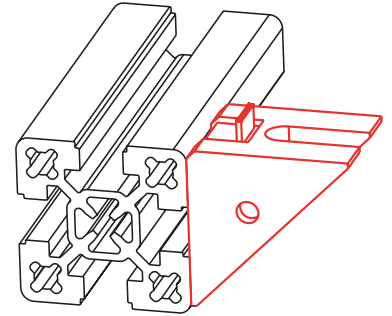
- A centring rib simplifies assembly and prevents angle bracket torsion. If necessary, this rib can be bent with a pliers.



**Material:** Die-cast zinc



**Angle bracket along the profile**  
Angle bracket is centred in the profile slot and prevents torsion.

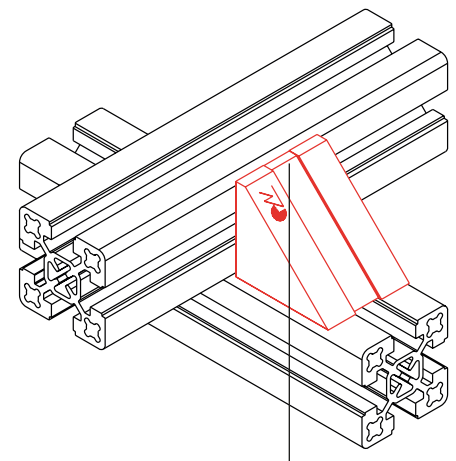
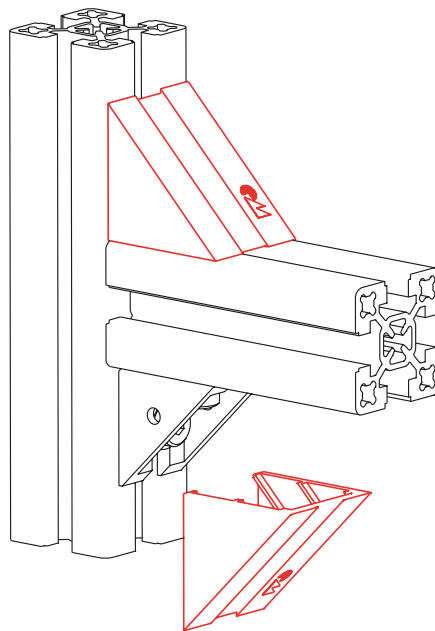


**Angle bracket perpendicular to the profile**  
Centring rib must be bent

### Plastic cover for angle brackets

- For aesthetic effect or to protect against soiling, plastic covers may be placed on the angle brackets.

**Material:** Black plastic



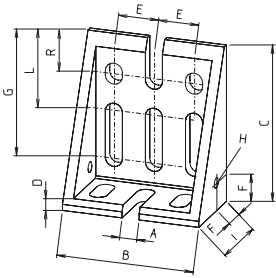
One side with chamfer for crossing connection with one angle bracket 40x40-2

Code No.	Type	lot sizes
4008101	For angle bracket 30x30 (2 braces)	10, 20, 30... pcs
4018102	For angle bracket 40x40 (2 braces)	10, 20, 30... pcs
4018103	For angle bracket 40x40 (2 braces) with chamfer for crossing connection	10, 20, 30... pcs
4028101	For angle bracket 50/60	10, 20, 30... pcs

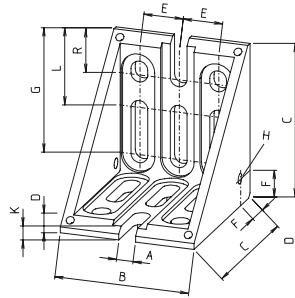
Functional profiles

# Right-angle connections

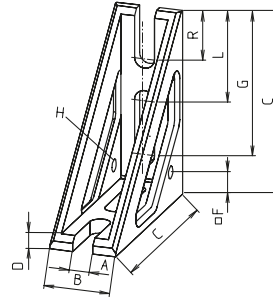
## Cast angle bracket



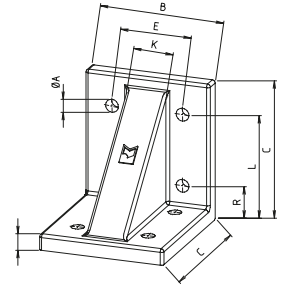
Angle bracket 80x40x80  
Gravity die-cast aluminium



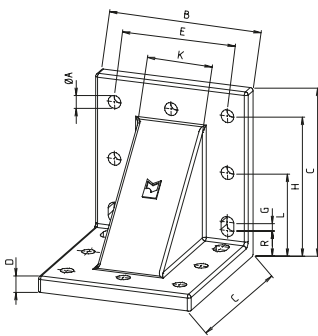
Angle bracket 80  
Die-cast zinc



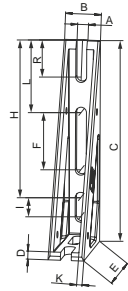
Angle bracket 40x80  
Gravity die-cast aluminium



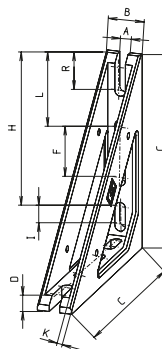
Angle bracket 100  
Gravity die-cast aluminium



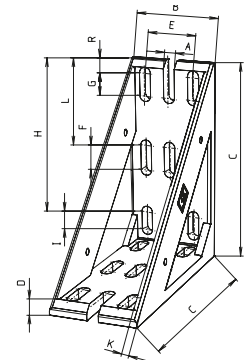
Angle brackets 120 + 160  
Gravity die-cast aluminium



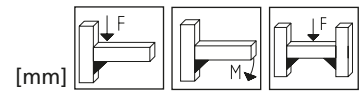
Angle bracket 40x80x160  
Gravity die-cast aluminium



Angle bracket 40x160  
Gravity die-cast aluminium



Angle bracket 80x160  
Gravity die-cast aluminium



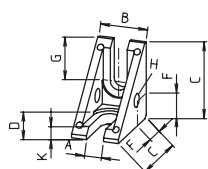
Code No.	Type	Version	A	B	C	D	E	F	G	H	I	O	L	R	F [N]	M [Nm]	F [N]
<b>Cast angle bracket</b>																	
4044102	80x40x80	2 braces	8.5	68	78	6	20	14	61	5.2	38	–	38	19	3000/4300	180/200	4000/14700
4044101	80	2 braces	8.5	68	78	8	20	14	61	5.2	–	6	38	20	9200	550	14700
4034100	40x80	2 braces	8.5	28	78	6	–	14	61	5.2	–	–	38	20	1300	180	4600
4695100	100	–	9	88	98	11	50	–	–	–	–	28	75	25	8800	700	13200
4165100	120	–	9	108	118	11	80	–	5	100	–	46	60	20	14500	1200	21750
4014100	40x80x160	2 braces	8.5	28	158	6	78	45	–	123	15	4	56	28	1600/2500	180	–
4654100	40x160	2 braces	8.5	28	158	11	–	45	–	123	15	4	56	28	2500	250	–
4444100	160	–	9	148	158	11	120	–	5	140	–	78	80	20	16800	1700	25200
4074100	80x160	2 braces	9	68	158	11	40	20	18	95	15	5.5	70	12	12800	1500	19200



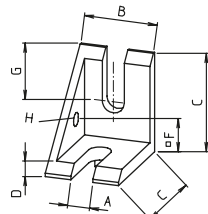


**Order instruction:**

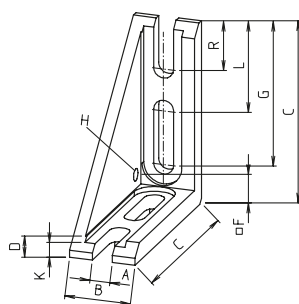
- Purchase only in lot sizes and a multiple of that see product table below



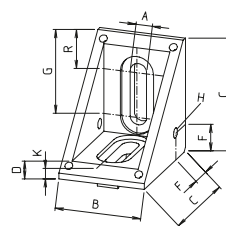
Angle brackets 30 + 40  
Die-cast zinc



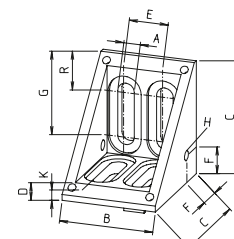
Angle bracket 40-1  
Die-cast zinc



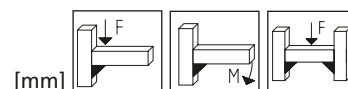
Angle bracket 40x80-1  
Die-cast zinc



Angle bracket 50/60  
Die-cast zinc



Angle bracket F-60x60  
Die-cast zinc



Code No.	Type	lot sizes	Version	A	B	C	D	E	F	G	H	I	O	L	R	F [N]	M [Nm]	F [N]
<b>Cast angle bracket</b>																		
4004101	30	10, 20, 30... pcs	2 braces	6.5	18	29	5	-	10	15	5.2	-	4	-	-	1100	20	2600
4014101	40-1	10, 20, 30... pcs	1 brace	8.4	28	38	5	-	14	19	5.2	-	-	-	-	2200	45	4000
4014102	40	10, 20, 30... pcs	2 braces	8.4	28	38	5	-	14	19	5.2	-	-	-	-	2200	60	4000
4034101	40x80-1	10, 20, 30... pcs	1 brace	8.5	28	78	8	-	14	61	5.2	-	6	38	20	3700	180	6500
4024101	50/60	10, 20, 30... pcs	2 braces	8.5	44	58	8	-	14	41	5.2	-	6	-	18	4500	280	8000
4124101	F-60x60	10, 20, 30... pcs	2 braces	8.5	48	58	8	20	14	40	5.2	-	6	-	17	4500	280	8000

**Fixing sets**

**Fixing sets:**

The angle brackets can be screwed to the profile with the fixing sets.

**Material:** Galvanised steel

Further slot stone versions can be found on page 254 - 262

**Includes:**

1 screw with washer and slot stone.



Fixing set with slot stone -N-  
(Slot stone is slid into the slot from the side)



Fixing set with slot stone -K-  
(Slot stone can be inserted edge-first into the slot retrospectively)



Fixing set with slot stone -R-  
(Slot stone can be inserted into the slot retrospectively and twisted into position)

Code No.	Type	lot sizes	Version
<b>Fixing sets</b>			
4004110	30	10, 20, 30... pcs	M6x12, slot stone -N-
4026208	40	10, 20, 30... pcs	M8x16, slot stone -N-
4026202	50-80 + 40x80x160	10, 20, 30... pcs	M8x18, slot stone -N-
4694110	100-160 (except 40x80x160)	10, 20, 30... pcs	M8x22, slot stone -N-
4004111	30	10, 20, 30... pcs	M6x12, slot stone -K-
4014111	40	10, 20, 30... pcs	M8x16, slot stone -K-
4024111	50-80 + 40x80x160	10, 20, 30... pcs	M8x18, slot stone -K-
4694111	100-160 (except 40x80x160)	10, 20, 30... pcs	M8x22, slot stone -K-
4004112	30	10, 20, 30... pcs	M6x12, slot stone -R-
4026209	40	10, 20, 30... pcs	M8x16, slot stone -R-
4026210	50-80 + 40x80x160	10, 20, 30... pcs	M8x18, slot stone -R-
4694112	100-160 (except 40x80x160)	10, 20, 30... pcs	M8x22, slot stone -R-

## Functional profiles

# Right-angle connections

### Angle bracket -sheet steel-

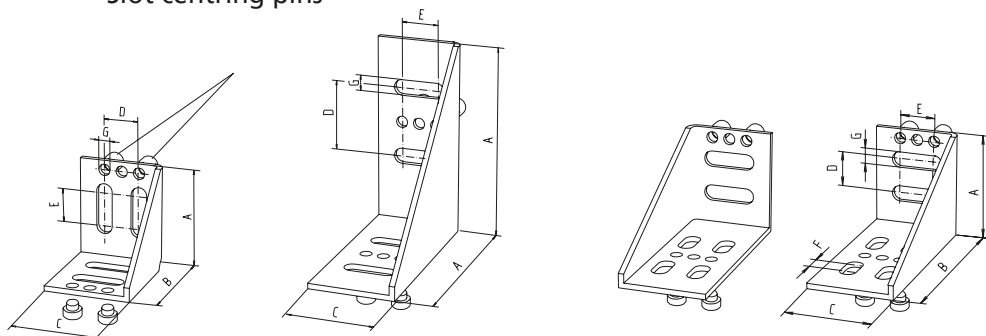


**Steel angle bracket:**  
St 37, 3 mm thick

**Material:**  
Black powder-coated steel

**Includes:**  
Complete with slot centring pins

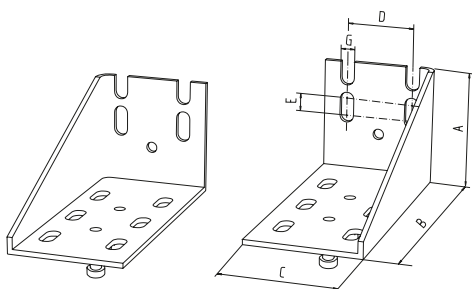
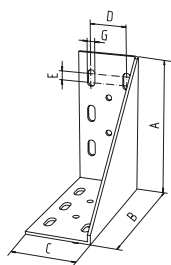
### Slot centring pins



Steel angle bracket 60

Steel angle bracket 60x120, 1 brace left or right

Steel angle bracket 60 / 60x120



Steel angle bracket 80 / 80x160

Steel angle bracket 80x160, 1 brace left or right

Code No.	Type	Version	A	B	C	D	E	F	G	H	R
[mm]											
Steel angle bracket -3 mm sheet steel-											
4120101	60	1 brace	58	58	48	20	20	-	9	-	-
4060101	60/60x120	1 brace	108	108	48	20	20	-	9	-	-
4060102	60x120	1 brace right	58	108	48	40	20	10	9	-	-
4060103	60x120	1 brace left	58	108	48	40	20	10	9	-	-
4070101	80/80x160	1 brace	148	148	68	40	10	-	9	-	-
4070102	80x160	1 brace right	68	148	68	40	10	-	9	-	-
4070103	80x160	1 brace left	68	148	68	40	10	-	9	-	-



**Order instruction:**

- Purchase only in lot sizes and a multiple of that see product table below

**Fixing sets**

**Fixing sets:**

The angle brackets can be screwed to the profile with the fixing sets.

Further slot stone versions can be found on page 254 - 262

**Material:** Galvanised steel

**Includes:** 1 screw with washer and slot stone.



Fixing set with slot stone -N- (slot stone is slid into the slot from the side)



Fixing set with slot stone -K- (slot stone can be inserted edge-first into the slot retrospectively)

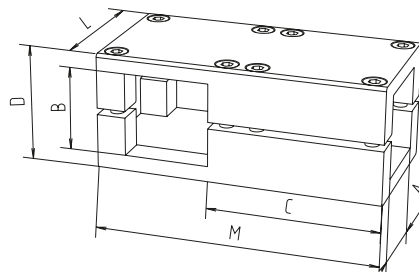


Fixing set with slot stone -R- (slot stone can be inserted into the slot retrospectively and twisted into position)

Code No.	Type	lot sizes	Version
<b>Fixing sets</b>			
4120110	all steel angle brackets	10, 20, 30... pcs	M8x14, slot stone -N-
4120111	all steel angle brackets	10, 20, 30... pcs	M8x14, slot stone -K-
4120112	all steel angle brackets	10, 20, 30... pcs	M8x14, slot stone -R-

**Corner clamp WV**

**Material:** Aluminium. Fixing VA. For further clamping elements, please refer to the catalogue "Connecting Technology"



Code No.	Type	Version	A	B	C	D	L	M
513000050300	WV 30	30.2	30.2	30.2	69	42	56	112
514000050300	WV 40	40.3	40.3	40.3	82	56	68	136
515000050300	WV 50	50.4	50.4	50.4	102	70	85	170
516000050300	WV 60	60.4	60.4	60.4	127	79	105	210

[mm]

Functional profiles

# Right-angle connections

**Order instruction:**

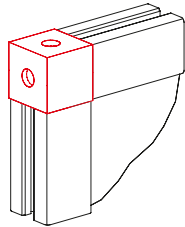
- Purchase only in lot sizes and a multiple of that see product table below

## Corner joint

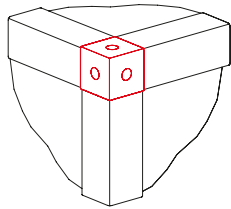
- Connection element for right-angle connections for clamping and inserting profiles
- The fixing screws are inserted directly into the profile. Centring pins prevent profile torsion
- With versions KL/KLE, the screw holes can optionally be sealed with a plastic cap

**Material:**  
Die-cast zinc, gravity die-cast aluminium (see table)

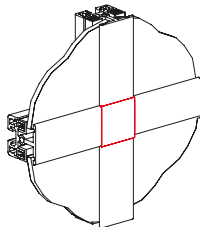
**Includes:**  
Includes all parts required to fully assemble one corner joint



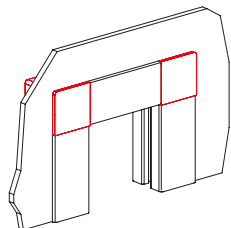
Version KL



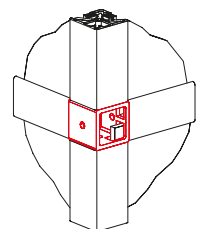
Version KLE



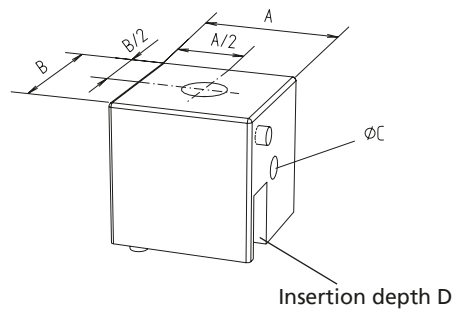
Version KLK



Version KLA



Version KLV



[mm]

Code No.	Type	lot sizes	For profile	A	B	C	D
<b>Die-cast zinc</b>							
4202409	KLA 30	4, 8, 12...pcs	KL,ESP,ESP-2	30	30	5,4	13
4212409	KLA 40	4, 8, 12...pcs		40	40	6,4	18
<b>Gravity die-cast aluminium</b>							
4202408	KLK 30	4, 8, 12...pcs	KLD	30	30	5,4	13
4212408	KLK 40	4, 8, 12...pcs	KLD	40	40	6,4	18
4202407	KLV 30	4, 8, 12...pcs	KLE,KLD	30	30	5,4	13
4212407	KLV 40	4, 8, 12...pcs		40	40	6,4	18

Code No.	Type	lot sizes	For profile	A	B	C	D
<b>Die-cast zinc</b>							
4202406	KL 30	4, 8, 12...pcs	KL,ESP,ESP-2, F-/G/GG/2G/3G	30	30	5,4	20
4212406	KL 40	4, 8, 12...pcs		40	40	6,4	27
4702406	KLE 30	4, 8, 12...pcs	KLE,F-/G/GG, 2G/3G	30	30	5,4	13
4712406	KLE 40	4, 8, 12...pcs		40	40	6,4	18

<b>Stopper (black)</b>							
40185971	KL/KLE 30	100, 200, 300... pcs					
40185981	KL/KLE 40	100, 200, 300... pcs					

<b>Cap (black)</b>							
4000421	KL 30	10, 20, 30... pcs					
4010421	KL 40	10, 20, 30... pcs					



### Corner joint

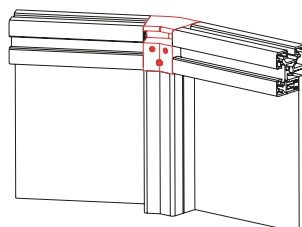
- Connection element for assembling profile angle brackets and clamping profiles W\*, KLW, KLE and KL
- The clamping bolts are inserted directly into the profile. Centring pins prevent torsion

**Material:**  
Die-cast zinc, black powder-coated aluminium (see table)

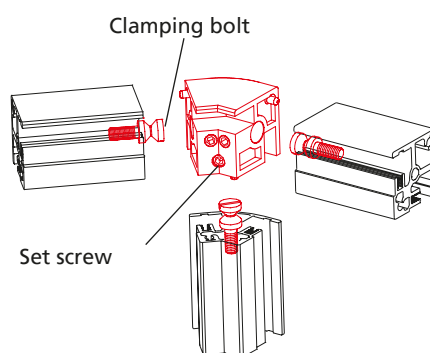
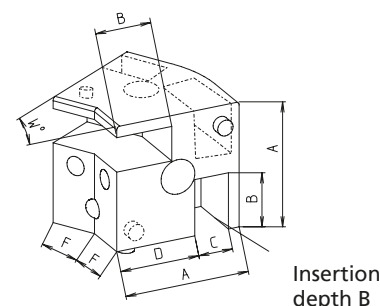
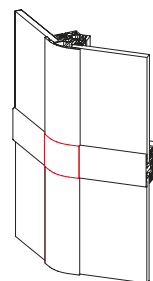
**Includes:**  
Includes all parts required to fully assemble one corner joint



Corner joint KLW



Corner joint KLWK



#### Assembly steps

1. Screw clamping bolt into profile
2. Put together with corner joint
3. Tighten set screw on corner joint – done!

\*When using W-profiles, the corners of panels may have to be notched. [mm]

Code No.	Type	For profile*	A	B	C	D	F	W
<b>Die-cast zinc</b>								
4412406	KLW 30-30	KLW 30-30, KL, KLE, ESP 30	30	13	8	19.5	11.0	30°
4422406	KLW 30-45	KLW 30-45, KL, KLE, ESP 30	30	13	8	19.5	8.8	45°
4622406	KLW 30-60	KLW 30-60, KL, KLE, ESP 30	30	13	8	19.5	8	60°
4432406	KLW 30-90	KLW 30-90, KL, KLE, ESP 30	30	13	8	19.5	10.0	90°
4472406	KLW 40-45	KLW 40-45, KL, KLE, ESP 40	40	18	11	25.5	11.7	45°
4632406	KLW 40-60	KLW 40-60, KL, KLE, ESP 40	40	18	11	25.5	11.5	60°
4482406	KLW 40-90	KLW 40-90, KL, KLE, ESP 40	40	18	11	25.5	15.0	90°
<b>Black powder-coated aluminium</b>								
4402406	KLW 30-15	KLW 30-15, KL, KLE, ESP 30	30	13	8	19.5	13.0	15°
4452406	KLW 40-15	KLW 40-15, KL, KLE, ESP 40	40	18	11	25.5	17.4	15°
4462406	KLW 40-30	KLW 40-30, KL, KLE, ESP 40	40	18	11	25.5	14.6	30°
4422407	KLWK 30-45	KLW 30-45, KLD 30	30	13	8	19.5	8.8	45°
4472407	KLWK 40-45	KLW 40-45, KLD 40	40	18	11	25.5	11.7	45°

## Functional profiles

# Right-angle connections

### Corner joint with plastic cap

- Connection element for edge profiles meeting at right angles R, W, K LW\* and GG. The profiles are connected with the corner joint and screws
- To enhance the visual appeal of this point, it is sealed with a plastic cap
- Angle accuracy  $\pm 6'$

### Material:

Die-cast zinc corner joint, plastic cap, galvanised fastenings

### Assembly instructions

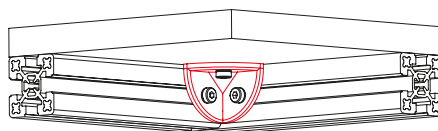
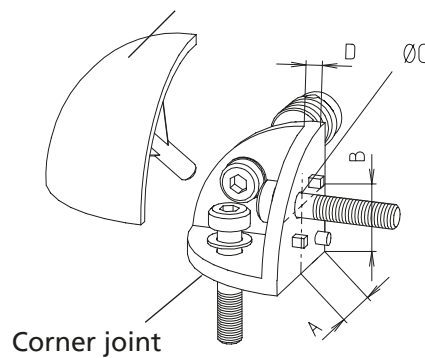
#### R-30, W, GG-Profile:

Corner joint and profiles are connected with screws. The centring shoulders make assembly and alignment of the profiles easier. If the shoulders are not desired, they can be bent with a pliers. Seal the corner joint with a removable plastic cap.

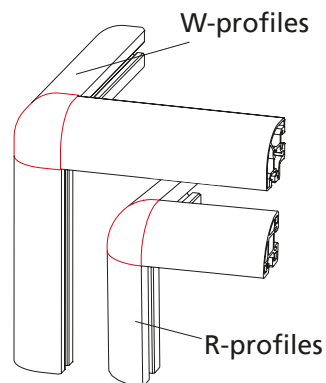
\*When using K LW-profiles, the corners of panels may have to be notched.



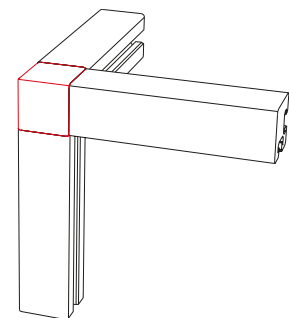
Corner cap



Corner joint as fixing element for the flush mounting of panels



Corner connection with R, K LW or W-profiles



Corner connection with G-profiles



**Order instruction:**



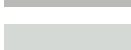

- Purchase only in lot sizes and a multiple of that see product table below

[mm]

Code No.	Type	lot sizes	Profiles	A	B	Ø C	D
4554408	Complete corner joint, black	-	F-G/GG/2G/3G 30	15	15	5.4	3
4564408			F-G/GG/2G/3G 40, F-GG 40x80 (2x)	20	20	6.6	4.5
4104406			W/KLW 30 (90°)	20	20	5.5	3.5
4114406			W/KLW 40 (90°)	30	30	6.6	5
4104407	Corner joint -single component- (without cap and screws)	-	R, F-G/GG/2G/3G 30	15	15	5.4	3
4114407			R, F-G/GG/2G/3G 40, F-GG 40x80 (2x)	20	20	6.6	4.5
4104405			W/KLW 30 (90°)	20	20	5.5	3.5
4114405			W/KLW 40 (90°)	30	30	6.6	5

Code No.	Type	lot sizes	Profiles	A	B	Ø C	D
4104408	Complete corner joint, black	-	R 30	15	15	5.4	3
4100411	Corner cap -single component-	10, 20, 30... pcs	W/KLW 30 (90°)	-	-	-	-
4110411			W/KLW 40 (90°)	-	-	-	-

Code No.	Type	lot sizes	Profiles	Colour
4108421	Corner cap	10, 20, 30... pcs	R 30	RAL 9005
4108422				RAL 9006
4108423				RAL 7035
4108426				RAL 5005
4558421	Corner cap	10, 20, 30... pcs	F-G/GG/2G/3G 30	RAL 9005
4558422				RAL 9006
4568421	Corner cap	10, 20, 30... pcs	F-G/GG/2G/3G 40, F-GG 40x80	RAL 9005
4568422				RAL 9006

Black RAL 9005	
White RAL 9006	
Grey RAL 7035	
Blue RAL 5005	

Please note that, for typographical reasons, the colours illustrated here are only an approximation of the RAL colours.

# Cross connections

## Versions



Keyed clamp connector -Q-



Mitre joint -transversal-



Cross connector -swiveling-



Cross clamp KV





# Table of contents

## Connection techniques

### Cross connections

Keyed clamp connector -Q- .....	p. 242
Mitre joint -transversal- .....	p. 242
Cross connector -swiveling- .....	p. 243
Cross clamp KV .....	p. 243

## Functional profiles

# Cross connections

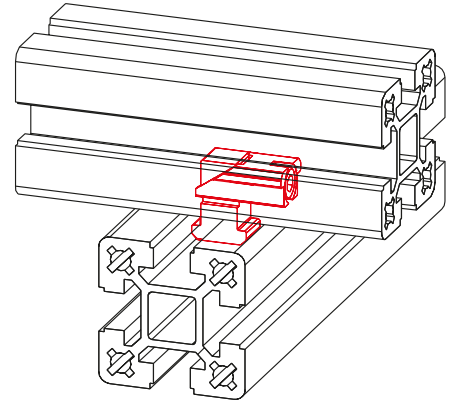
### Keyed clamp connector -Q-



- Simple realisation of cross connections by bracing the profiles
- No profile machining necessary

**Material:** Galvanised steel

**Includes:** Complete fixing set for one connection



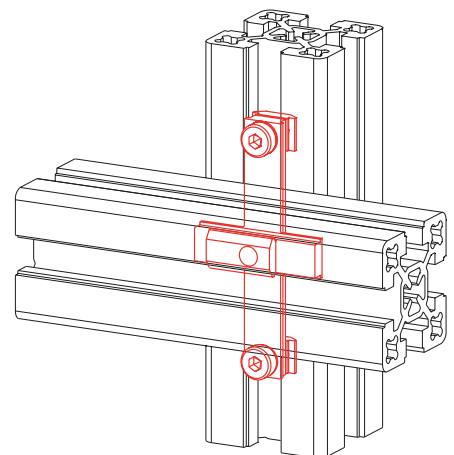
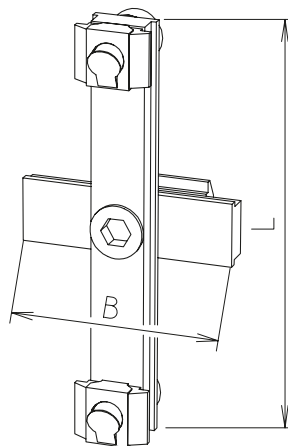
Code No.	Type
4016521	40 slot geometry

### Mitre joint -transversal-

- For connecting crossing profiles
- For retrofitting in structures
- Profile alignment not necessary

**Material:** Galvanised steel

**Includes:** Complete fixing set for one connection



Code No.	Type	B	L	Version
4026502	F-60/80	40	102	With slot stone -F-
4026512	F-60/80	40	102	With slot stone -L-
4016502	40/50	40	78	With slot stone -F-
4016512	40/50	40	78	With slot stone -L-

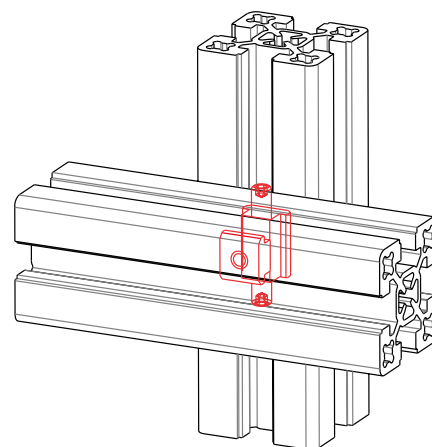


### Cross connector -swiveling-

- For connection of crossing profiles
- 360° swiveling
- Fixation in all positions

**Material:** Galvanised steel

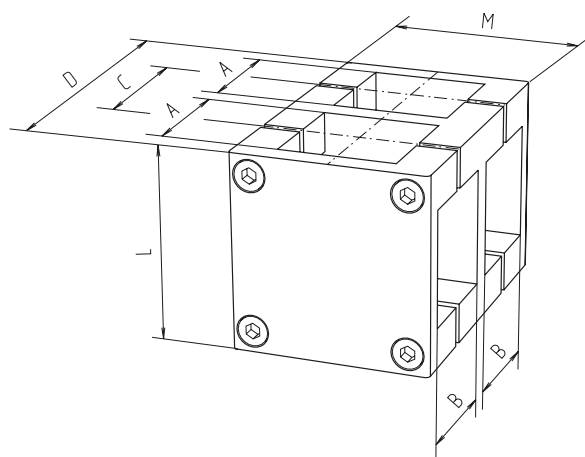
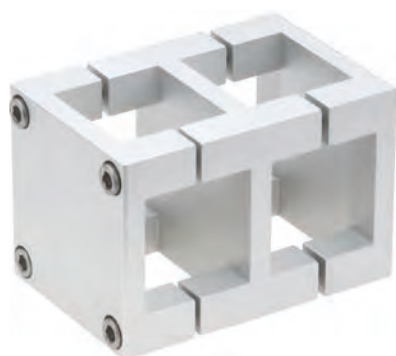
**Includes:** Complete fixing set



Code No.	Type	Piece
4016584	40 slot geometry	1
4016583		10

### Cross clamp KV

**Material:** Aluminium,  
Stainless steel fastenings.  
For further clamping elements,  
please refer to the catalogue  
"Connecting Technology"



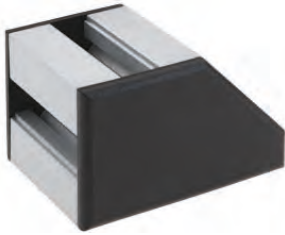
Code No.	Type	A	B	C	D	L	M
503000050300	KV 30	30.2	30.2	36	78	56	56
504000050300	KV 40	40.3	40.3	48	104	68	68
505000050300	KV 50	50.4	50.4	60	130	85	85
506000050300	KV 60	60.4	60.4	72	169	105	105

[mm]

Functional profiles

# Angle connections

## Versions



Frame joint 2x40



Frame joint 3x40



Profile joint -E-



Profile joint



Double profile joint



Mitre joint -W1-



Mitre joint -W2-



Steel swivel



# Table of contents

## Connection techniques

### Angle connections

Frame joint 2x40 .....	p. 246
Frame joint 3x40 .....	p. 246
Profile joint -E- (eccentric) .....	p. 247
Profile joint .....	p. 248
Double profile joint .....	p. 248
Mitre joint -W1- .....	p. 249
Mitre joint -W2- .....	p. 249
Steel swivel .....	p. 250

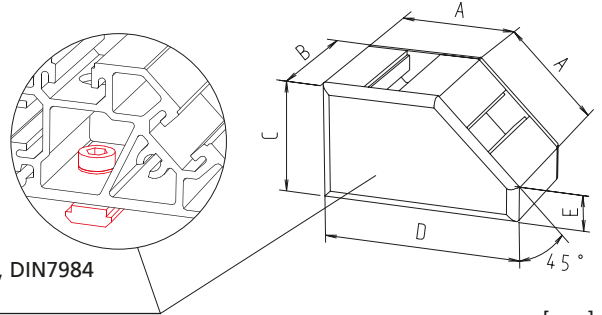
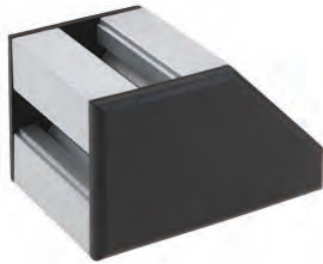
Functional profiles

# Angle connections

## Frame joint 2x40

- Frame joint with 2 connecting options 40x40 and/or 40x80, each set at 45°.
- Complete with fixing set.

**Material:** Aluminium, Plastic cover plates, cut to size as required.



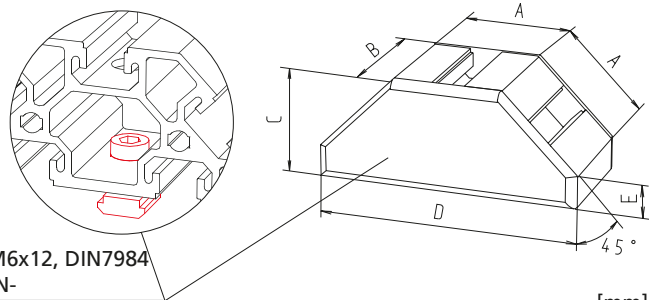
Fixing set:  
Socket head cap screw, M6x12, DIN7984  
Lock washer, slot stone -N-

Code No.	Type	A	B	C	D	E
4155650	40	40	40	40	68	11.8
4155651	40x80	40	80	40	68	11.8

## Frame joint 3x40

- Frame joint with 3 connecting options 40x40 and/or 40x80, each set at 45°.
- Complete with fixing set.

**Material:** Aluminium, Plastic cover plates, cut to size as required.

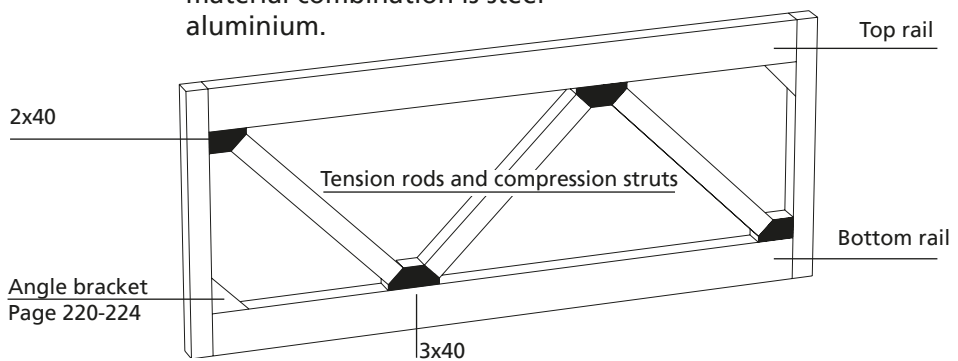


Fixing set:  
Socket head cap screw, M6x12, DIN7984  
Lock washer, slot stone -N-

Code No.	Type	A	B	C	D	E
4255650	40	40	40	40	96.6	11.8
4255651	40x80	40	80	40	96.6	11.8

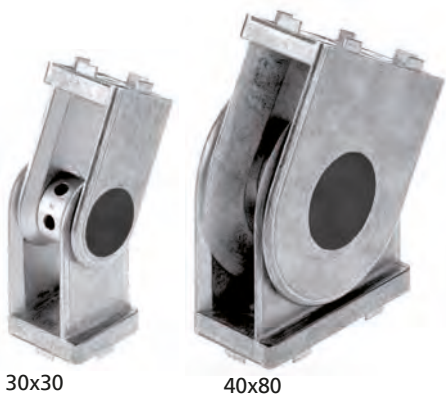
## Position diagram

- With unsupported lengths and dynamic alternating stresses, bracing elements should be added because the material combination is steel aluminium.
- Such elements may be angle brackets, bracing plates and cross strut profiles as are typically used in framework.





### Profile joint -E-



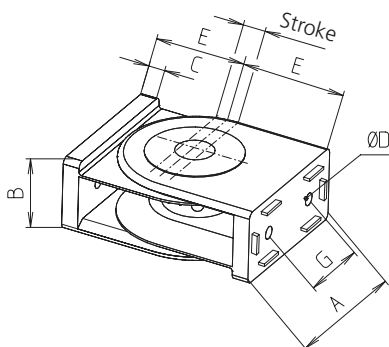
30x30

40x80

- These die-cast joints feature eccentric height compensation.

**Material:** Die-cast zinc joint, galvanised steel eccentric bolt and fastenings

**Includes:** Does not include fixing set (see table)



Code No.	Type	Pivoting range	Stroke	A	B	C	D	E	G
4032550	Joint 30x30	250°	4	30	30	8	6,1	42	0
4000530	Fixing set to 30 slot geometry								
4010530	Fixing set to 40 slot geometry								
4032540	Joint 40x80	180°	4	80	40	9	6,6	52	40
4010521	Fixing set to 40 slot geometry								
4810520	Fixing set on the face of Type 40								

**Attention: discontinued model**

Type 30x30, Code No. 4032550

Type 40x80, Code No. 4032540

Note: One fixing set contains material for connecting one profile.  
For the profile joint 40x80, 2 fixing sets are required per side.

### Profile joint



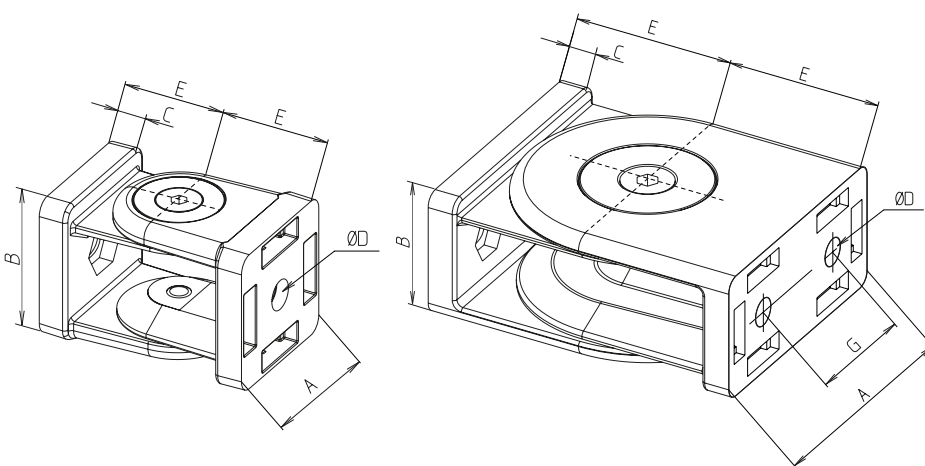
40x40



40x80

**Material:** joint 40x40 die casting zinc, joint 40x80 die-cast Aluminum, fixing material Galvanized steel

**Includes:** centering pieces; does not include fixing set (see table)



Code No.	Type	Pivoting range	A	B	C	D	E	G	
4D32500	Profile joint 40x40	180°	40	40	9	8,5	30	-	
4392500	Profile joint 40x80	180°	80	40	9	8,5	50	40	
4572501	Fixing set to 30 slot geometry								
4D32501	Fixing set to 40 slot geometry								
4D32502	Fixing set front side for F-40x40, F-40x80, F-80x80								

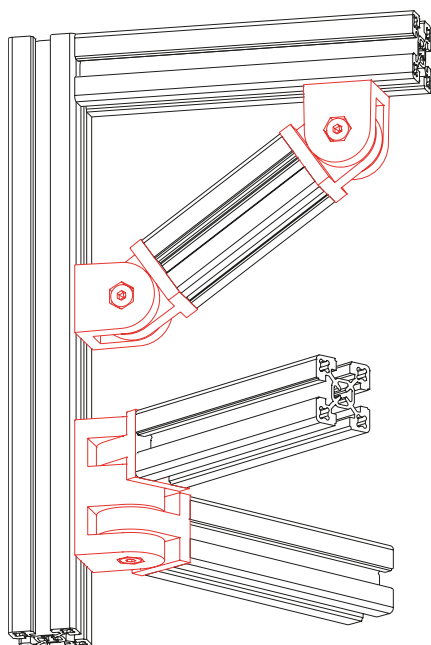
Note: One fixing set contains material for connecting one profile.  
For the profile joint 40x80, 2 fixing sets are required per side.

## Functional profiles

# Angle connections

## Profile joint

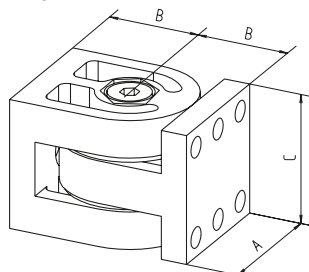
F-40, figure with slot-to-slot fixing set



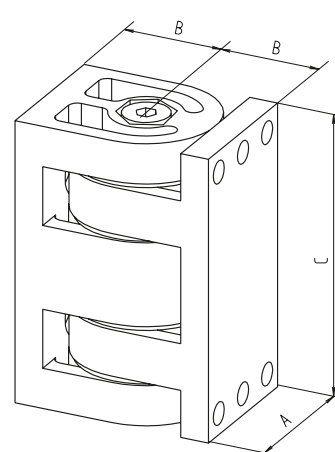
- Depending on the fixing set, the profile joint can be used with the profiles given below
- The joint can be infinitely adjusted through 180°.

**Material:** Aluminium  
**Includes:**  
 Complete with fixing set (see table)

F-40



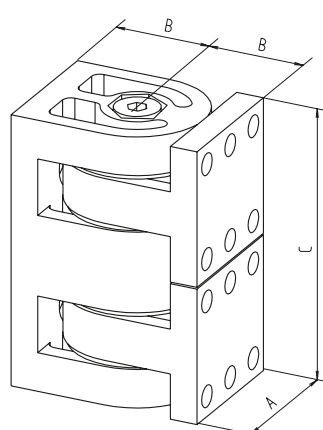
F-40x80



[mm]

Code No.	Type	Fixing set	A	B	C
4015550	Profile joint F-40	without fixing set	40	28	40
4015551		Face-to-face	40	28	40
4015552		Slot-to-slot	40	28	40
4015553		Face-to-slot	40	28	40
4035550	Profile joint F-40x80	without fixing set	40	28	80
4035551		Face-to-face	40	28	80
4035552		Slot-to-slot	40	28	80
4035553		Face-to-slot	40	28	80

F-40x80-2



[mm]

## Double profile joint

F-40x80-2, figure with face-to-slot fixing set



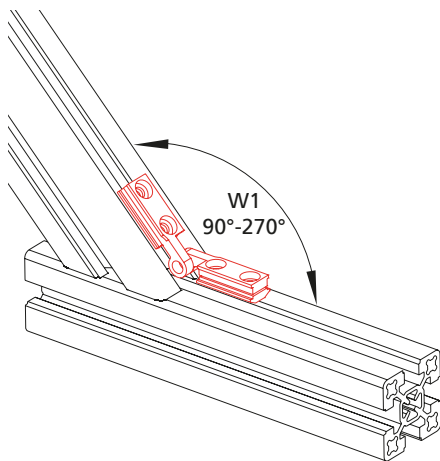
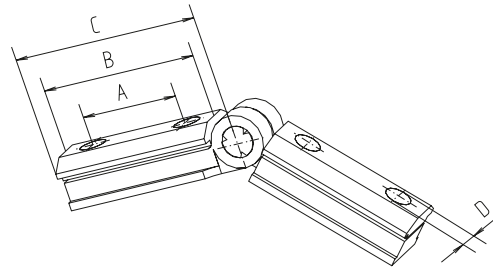
Code No.	Type	Fixing set	A	B	C
4035555	Double profile joint F-40x80-2	without fixing set	40	28	80
4035556		Face-to-face	40	28	80
4035557		Slot-to-slot	40	28	80
4035558		Face-to-slot	40	28	80



**Mitre joint -W1-**

- Connects profiles at any angle
- No alignment necessary

**Material:** Galvanised steel  
**Includes:** Complete fixing set for one mitre joint -W-



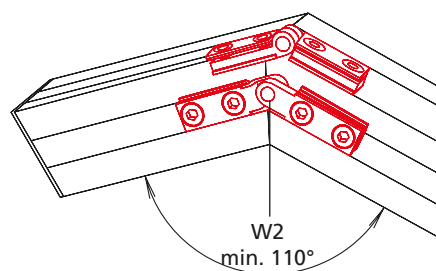
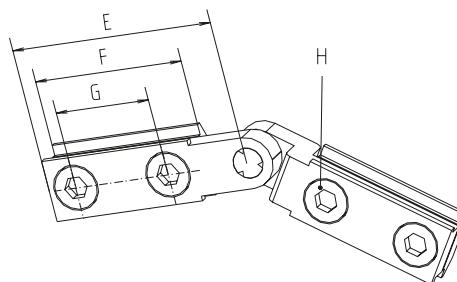
[mm]

Code No.	Type	Slot geometry	A	B	C	D
4016506	W-1	30	19	30	41	M4
4016504	W-1	40	19	30	41	M5

**Mitre joint -W2-**

**Material:** Galvanised steel

**Includes:** Complete fixing set for one mitre joint -W-



[mm]

Code No.	Type	Slot geometry	E	F	G	H
4016507	W-2	30	41	30	19	M4
4016505	W-2	40	41	30	19	M5

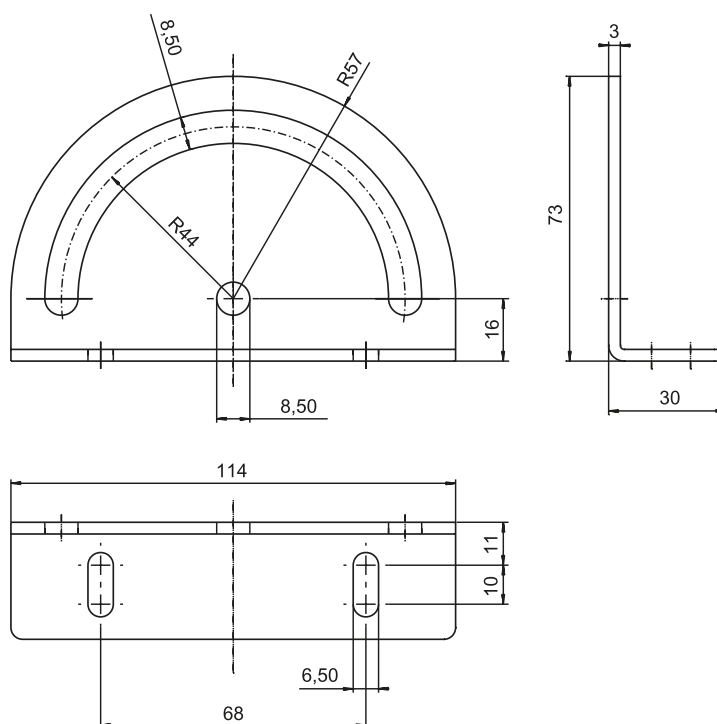
## Functional profiles

# Angle connections

### Steel swivel

- Using steel swivels enables structural profiles to be adjusted to any angle

**Material:** Galvanised steel  
**Includes:** 1 steel swivel with one complete fixing set for one profile connection.  
 A clamping level can be ordered as an optional extra



[mm]

Code No.	Type	Slot geometry
WAC042000144	Steel swivel with screw	40
WAC042000145	Clamping lever	40



Functional profiles

# Accessories

## Versions



T-head bolt



Slot stone -F-



Slot stone -N-, -NF-



Slot stone -R-, -RF-



Slot stone -L- II



Slot stone -E-, -E- II



Slot stone -K-



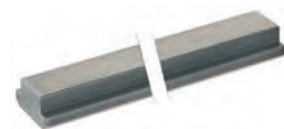
Slot stone -P- version K



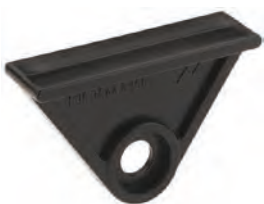
Slot stone -PA-



Equipotential bonding cable



Bar material  
slot stone -N-



Suspended sliding block



Screws



## Table of contents

### Accessories

<b>Slot stones and screws</b>	T-head bolt .....	p. 254
	Slot stone -F-.....	p. 254
	Slot stone -N-, -NF- .....	p. 255
	Slot stone -R-, -RF- .....	p. 256
	Slot stone -L- II .....	p. 257
	Slot stone -E-/EII.....	p. 257
	Slot stone -K- .....	p. 258
	Slot stone -P- version K (equipotential bonding) .....	p. 258
	Slot stone -PA- (equipotential bonding).....	p. 259
	Equipotential bonding cable.....	p. 260
	Bar material slot stone -N-.....	p. 260
	Suspended sliding block .....	p. 262
	Screws .....	p. 263

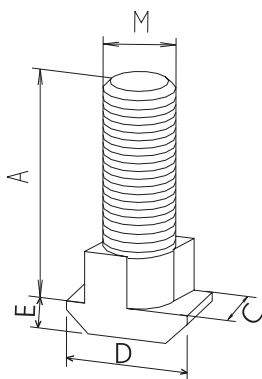
## Functional profiles

# Slot stones and screws

### Order instruction:

- Purchase only in lot sizes and a multiple of that see product table below

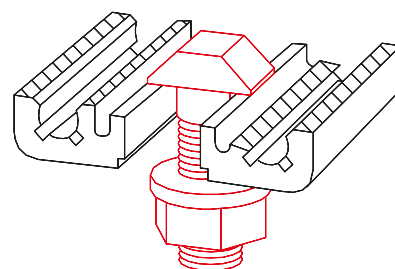
### T-head bolt



**Material:** Galvanised steel

**Includes:** Complete with nut and washer

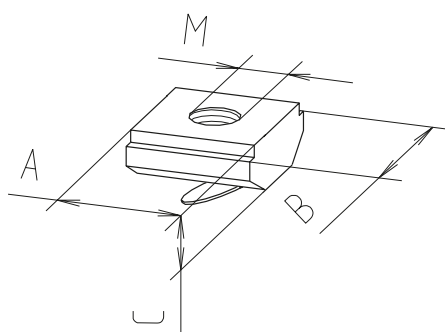
- For fixing mitre joints and angle brackets
- Can be inserted into any position in the profile slot
- The action of tightening turns it into the final clamping position



Code No.	Type	lot sizes	Slot geometry	A	C	D	E	M
4016201	M8x25	10, 20, 30... pcs	40	25	9.8	15.5	4	M8

[mm]

### Slot stone -F-



**Material:** Galvanised steel

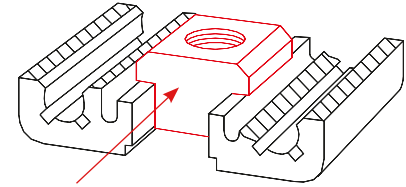
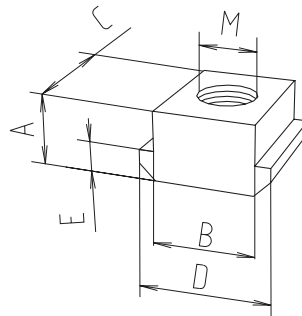
- Simply slid/inserted edge-first into the profile slot
- Fixed in the desired position by the spring clip

Code No.	Type	lot sizes	Slot geometry	A	B	C	M
4006710	M3	10, 20, 30... pcs	30	10	12	4	M3
4006716	M4	10, 20, 30... pcs	30	10	12	4	M4
4006711	M5	10, 20, 30... pcs	30	10	12	4	M5
4006712	M6	10, 20, 30... pcs	30	10	12	4	M6
4006715	M4	10, 20, 30... pcs	40	10	14	4	M4
4006713	M5	10, 20, 30... pcs	40	10	14	4	M5
4006714	M6	10, 20, 30... pcs	40	10	14	4	M6

[mm]

**Slot stone -N-**

- This slot stone slides into the end of the profile slot

**Material:** Galvanised steel


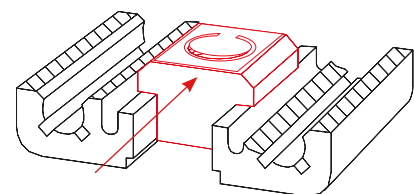
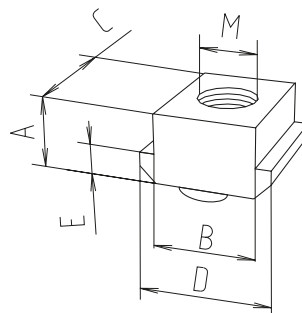
[mm]

Code No.	Type	lot sizes	Slot geometry	A	B	C	D	E	M
4006201	M5	10, 20, 30... pcs	30	5	10	13	13	3	M5
4006203	M6	10, 20, 30... pcs	30	5	10	13	13	3	M6
4006202	M8	10, 20, 30... pcs	30	5	10	13	13	3	M8
4026207	M5	10, 20, 30... pcs	40	8	10	13	15	4	M5
4026203	M6	10, 20, 30... pcs	40	8	10	13	15	4	M6
4009202	M8*	10, 20, 30... pcs	30	5	10	13	13	3	M8
4026206	M8	10, 20, 30... pcs	40	8	10	13	15	4	M8
4029206	M8*	10, 20, 30... pcs	40	8	10	13	15	4	M8
4026214	M8	10, 20, 30... pcs	40	8	10	28	15	4	M8
4026208	M8	10, 20, 30... pcs	40, with screw M8x16	8	10	13	15	4	M8
4026202	M8	10, 20, 30... pcs	40, with screw M8x18	8	10	13	15	4	M8

\* Stainless steel

**Slot stone -NF-**

- This slot stone slides into the end of the profile slot
- The spring clip guarantees fixation in any position/installation position

**Material:** Galvanised steel


[mm]

Code No.	Type	lot sizes	Slot geometry	A	B	C	D	E	M
4016241	M5	10, 20, 30... pcs	40	8	10	13	15	4	M5
4016242	M6	10, 20, 30... pcs	40	8	10	13	15	4	M6
4016243	M8	10, 20, 30... pcs	40	8	10	13	15	4	M8

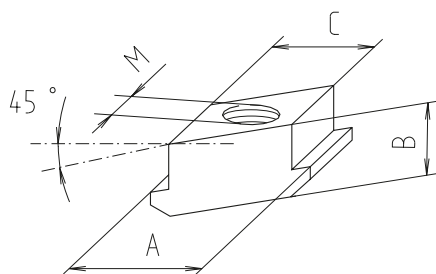
## Functional profiles

# Slot stones and screws

### Order instruction:

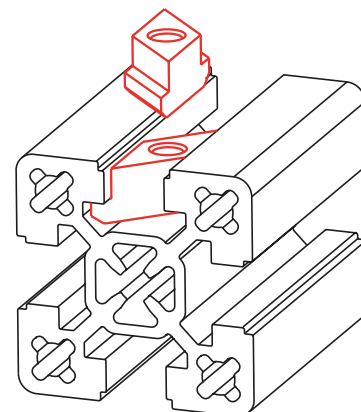
- Purchase only in lot sizes and a multiple of that see product table below

### Slot stone -R-



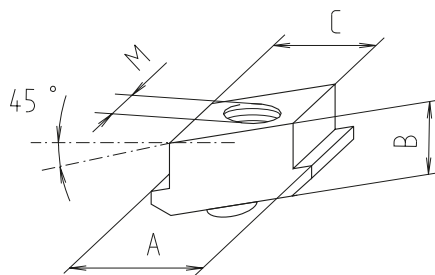
**Material:** Galvanised steel

- Insert anywhere in the slot
- The action of tightening turns it into the final clamping position



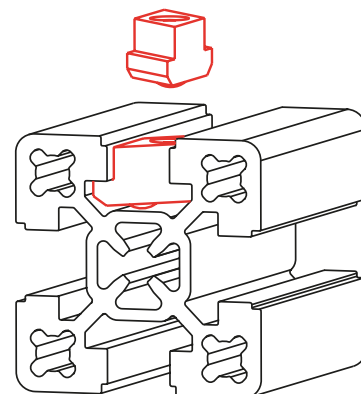
Code No.	Type	lot sizes	Slot geometry	A	B	C	M	[mm]
4006222	M5	10, 20, 30... pcs	30	13	5	10	M5	
4006221	M6	10, 20, 30... pcs	30	13	5	10	M6	
4006223	M8	10, 20, 30... pcs	30	13	5	10	M8	
4026221	M6	10, 20, 30... pcs	40	15	8	10	M6	
4026222	M8	10, 20, 30... pcs	40	15	9	10	M8	

### Slot stone -RF-



**Material:** Galvanised steel

- Rhombic slot stones -RF- can be inserted and twisted into any position in the profile slot
- The spring clip guarantees fixation in any position/installation position



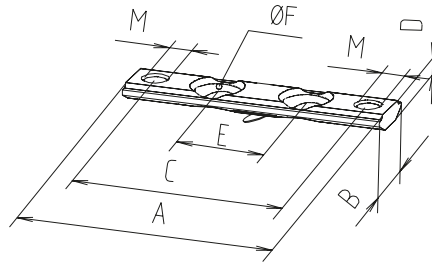
Code No.	Type	lot sizes	Slot geometry	A	B	C	M	[mm]
4006241	M5	10, 20, 30... pcs	30	13	5	10	M5	
4006242	M6	10, 20, 30... pcs	30	13	5	10	M6	
4006243	M8	10, 20, 30... pcs	30	13	5	10	M8	
4016245	M8	10, 20, 30... pcs	40	15	9	10	M8	
4016244	M6	10, 20, 30... pcs	40	15	8	10	M6	



## Slot stone -L- II



Version -L- II



- For fixing flange brackets. The slot stone can be slid/inserted edge-first into the profile slot and fixed in any position with a spring clip.

**Material:** Galvanised steel

[mm]

Code No.	Type	lot sizes	Version	Slot geometry	A	B	C	D	E	F	M
4006207	M5	10, 20, 30... pcs	-L- II	30	29	12	21.5	4	0*	8.5	M5
4016206	M6	10, 20, 30... pcs	-L- II	40	38	14	28	4	0*	10.2	M6
4016207	M6	10, 20, 30... pcs	-L- II	40	48	14	38	4	15,5	10.2	M6
4016208	M6	10, 20, 30... pcs	-L- II	40	58	14	48	4	20	10.2	M6
4046206	M6	10, 20, 30... pcs	-L- II	40	78	14	68	4	40	10.2	M6

\* Only have one hole

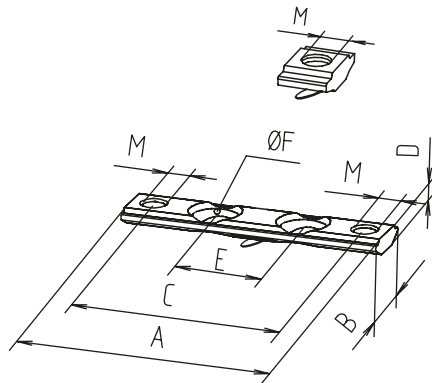
## Slot stone -E- / E-II



Version -E-



Version -E- II



- Slid into the slot from the side
- High load capacity due to large supporting surface
- Fixed in the desired position by the spring clip

**Material:** Galvanised steel

[mm]

Code No.	Type	lot sizes	Version	Slot geometry	A	B	C	D	E	F	M
4006208	M5	10, 20, 30... pcs	-E-	40	10	16.5	-	4	0*	-	M5
4006209	M6	10, 20, 30... pcs	-E-	40	10	16.5	-	4	0*	-	M6
4006224	M6	10, 20, 30... pcs	-E- II	40	38	16.5	28	3.8	0	10.2	M6
4006239	M6	10, 20, 30... pcs	-E- II	40	58	16.5	48	3.8	20	10.2	M6
4006240	M6	10, 20, 30... pcs	-E- II	40	78	16.5	68	3.8	40	10.2	M6

\* Only have one hole

**Functional profiles**

# Slot stones and screws

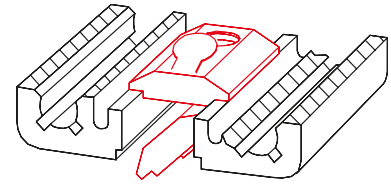
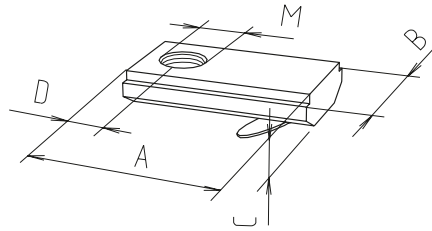
**Order instruction:**

- Purchase only in lot sizes and a multiple of that see product table below

- Simply slid/inserted edge-first into the profile slot

**Material:** Galvanised steel

## Slot stone -K-



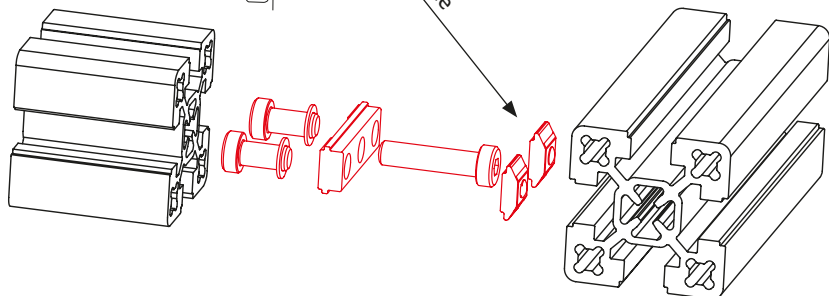
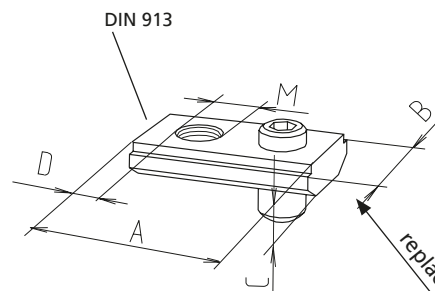
									[mm]
Code No.	Type	lot sizes	Slot geometry	A	B	C	D	M	
4006211	M5	10, 20, 30... pcs	30	21	12	4	7	M5	
4006212	M6	10, 20, 30... pcs	30	21	12	4	7	M6	
4006213	M8	10, 20, 30... pcs	30	21	12	4	7	M8	
4016212	M6	10, 20, 30... pcs	40	21	14	4	7	M6	
4016213	M8	10, 20, 30... pcs	40	21	14	4	7	M8	

## Slot stone -P- version K

- Creates equipotential bonding between two profiles by damaging the anodised layer

**Material:** Galvanised steel/stainless steel

**Includes:**  
1 complete unit



										[mm]
Code No.	Type	lot sizes	Material	Slot geometry	A	B	C	D	M	
4006214	M5	10, 20, 30... pcs	Galvanised steel	All	20	12	4	7	M5	
4009214	M5	10, 20, 30... pcs	Stainless steel	All	20	12	4	7	M5	
4006216	M6	10, 20, 30... pcs	Galvanised steel	All	20	12	4	7	M6	
4009216	M6	10, 20, 30... pcs	Stainless steel	All	20	12	4	7	M6	
4006215	M6	10, 20, 30... pcs	Galvanised steel	40	20	14	4	7	M6	



## Slot stone -PA-



Version PA -N-



Version PA -R-



Version PA -F-



Version PA -K-



Version PA -L-

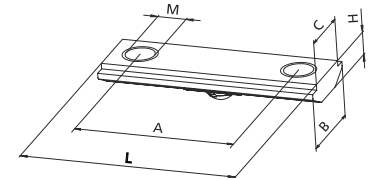


Version PA -PLM-

- The -PA- slot stones have an equipotential bonding effect by destroying the anodised layer. The slot stones can be used in an assembly kit or be interconnected with bridge pieces.

**Material:** Black galvanised steel

**Includes:** 1 pack of 10



[mm]

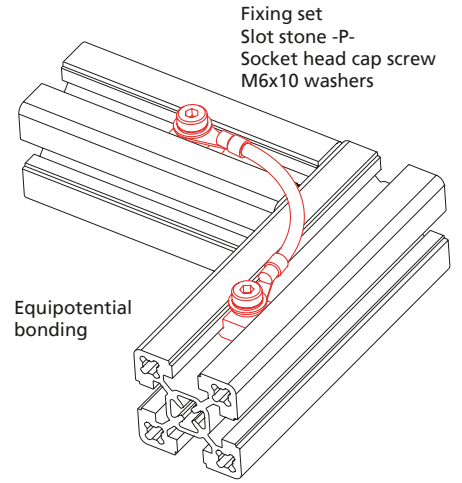
Code No.	Type	lot sizes	Slot geometry	A	B	C	H	L	M
<b>Slot stone PA -N-</b>									
4006E01	M5	10, 20, 30... pcs	30	–	13	10	5	13	M5
4006E03	M6	10, 20, 30... pcs	30	–	13	10	5	13	M6
4006E02	M8	10, 20, 30... pcs	30	–	13	10	5	13	M8
4026E07	M5	10, 20, 30... pcs	40	–	15	10	8	13	M5
4026E03	M6	10, 20, 30... pcs	40	–	15	10	8	13	M6
4026E06	M8	10, 20, 30... pcs	40	–	15	10	8	13	M8
<b>Slot stone PA -R-</b>									
4006E22	M5	10, 20, 30... pcs	30	–	13	10	5	29	M5
4006E21	M6	10, 20, 30... pcs	30	–	13	10	5	29	M6
4006E23	M8	10, 20, 30... pcs	30	–	13	10	5	29	M8
4026E21	M6	10, 20, 30... pcs	40	–	15	10	8	31	M6
4026E22	M8	10, 20, 30... pcs	40	–	15	10	9	31	M8
<b>Slot stone PA -F-</b>									
4006E10	M3	10, 20, 30... pcs	30	–	12	10	4	10	M3
4006E16	M4	10, 20, 30... pcs	30	–	12	10	4	10	M4
4006E11	M5	10, 20, 30... pcs	30	–	12	10	4	10	M5
4006E12	M6	10, 20, 30... pcs	30	–	12	10	4	10	M6
4006E15	M4	10, 20, 30... pcs	40	–	14	10	4	10	M4
4006E13	M5	10, 20, 30... pcs	40	–	14	10	4	10	M5
4006E14	M6	10, 20, 30... pcs	40	–	14	10	4	10	M6
<b>Slot stone PA -K-</b>									
4006F11	M5	10, 20, 30... pcs	30	–	12	10	4	21	M5
4006F12	M6	10, 20, 30... pcs	30	–	12	10	4	21	M6
4006F13	M8	10, 20, 30... pcs	30	–	12	10	4	21	M8
4016E12	M6	10, 20, 30... pcs	40	–	14	10	4	21	M6
4016E13	M8	10, 20, 30... pcs	40	–	14	10	4	21	M8
<b>Slot stone PA -L-</b>									
4006E04	M5	10, 20, 30... pcs	30	21.5	12	10	4	29	M5
4016E04	M6	10, 20, 30... pcs	40	28	14	10	4	38	M6
4026E04	M6	10, 20, 30... pcs	40	48	14	10	4	58	M6
4046E04	M6	10, 20, 30... pcs	40	68	14	10	4	78	M6
<b>Slot stone PA -PLM-</b>									
E00037CRE	M3	10, 20, 30... pcs	20	–	6,5	–	3	10	M3
E00038CRE	M4	10, 20, 30... pcs	20	–	6,5	–	3	10	M4
E00039CRE	M5	10, 20, 30... pcs	20	–	6,5	–	3	10	M5

**Functional profiles**

# Slot stones and screws

**Equipotential bonding cable**    **Material:** Galvanised steel fixing set

- Equipotential bonding cable  
6 mm<sup>2</sup> with cable lug, length  
120 mm



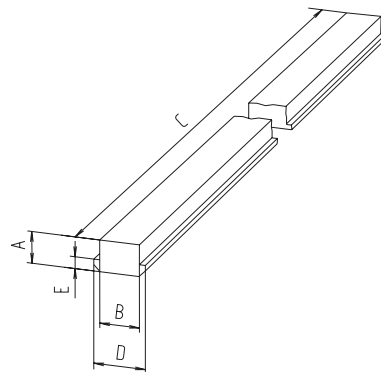
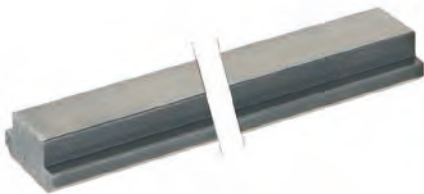
Code No.	Type	Slot geometry
4012590	Equipotential bonding (cable)	40
4012591	Complete fixing set	40

[mm]

## Bar material

- The bar material allows thread to be cut to length and positioned to suit the application.
- Manufacturing tolerances (dimension C) must be observed
- Machining to customer specification available on request.

**Material:** steel / stainless steel  
Base profile for slot stone -N-



Code No.	Material	Slot geometry	A	B	C	D	E
4006200 3010	Steel	30	5	10	2800 - 3000	13	3
4026200 3010		40	8	10	2800 - 3000	15	4
4009200 5600	Stainless steel	30	4	10	5600 - 6000	14	3
4029200 5600		40	8	10	5600 - 6000	15	4

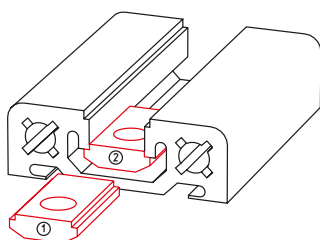
[mm]

**Order instruction:**

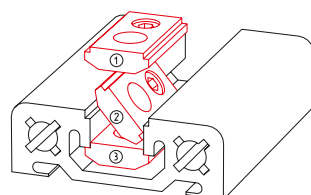
- Purchase only in lot sizes and a multiple of that see product table below

**Use of slot stones (slot stone with spring clip -F- / slot stones -K-, -E- and -L- II)**

Code No.	See page	lot sizes	30 slot geometry		40 slot geometry	
			slide into slot	insert edge-first into slot	slide into slot	insert edge-first into slot
<b>Slot stone -F-</b>						
4006710	254	10, 20, 30... pcs	x	x	x	x
4006716	254	10, 20, 30... pcs	x	x	x	x
4006711	254	10, 20, 30... pcs	x	x	x	x
4006712	254	10, 20, 30... pcs	x	x	x	x
4006715	254	10, 20, 30... pcs	x		x	x
4006713	254	10, 20, 30... pcs	x		x	x
4006714	254	10, 20, 30... pcs	x		x	x
<b>Slot stone -L- II</b>						
4006207	257	10, 20, 30... pcs	x	x	x	x
4016206	257	10, 20, 30... pcs	x		x	x
4016207	257	10, 20, 30... pcs	x		x	x
4016208	257	10, 20, 30... pcs	x		x	x
4046206	257	10, 20, 30... pcs	x		x	x
<b>Slot stone -E- / E-II</b>						
4006208	257	10, 20, 30... pcs			x	
4006209	257	10, 20, 30... pcs			x	
4006224	257	10, 20, 30... pcs			x	
4006239	257	10, 20, 30... pcs			x	
4006240	257	10, 20, 30... pcs			x	
<b>Slot stone -K-</b>						
4006211	258	10, 20, 30... pcs	x	x	x	x
4006212	258	10, 20, 30... pcs	x	x	x	x
4006213	258	10, 20, 30... pcs	x	x	x	x
4016212	258	10, 20, 30... pcs	x		x	x
4016213	258	10, 20, 30... pcs	x		x	x
4006214	258	10, 20, 30... pcs	x	x	x	x
4006215	258	10, 20, 30... pcs	x	x	x	x
4006216	258	10, 20, 30... pcs	x		x	x

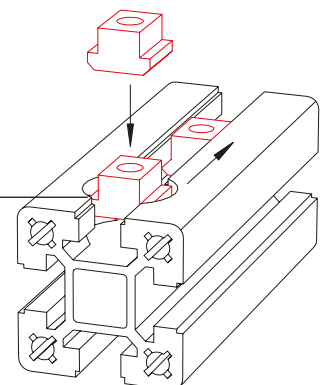
**Slide slot stone into slot**


Numbers = Installation sequence

**Insert slot stone edge-first into slot**


Example of retrospective insertion of an N slot stone in a profile.  
You will find a suitable drilling fixture on page 484

**Hole**  
Diameter: 20 mm  
Depth: 11.5 mm



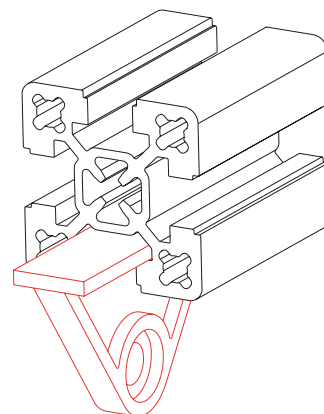
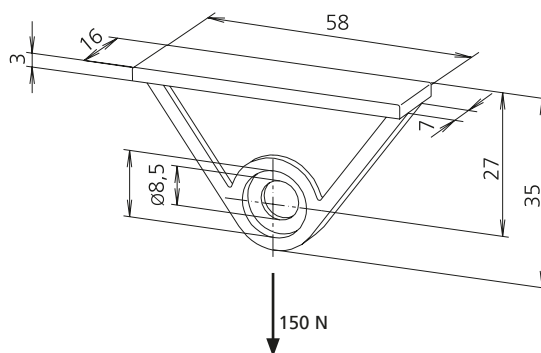
## Functional profiles

# Slot stones and screws

### Suspended sliding block

- To take tools and curtain guards
- Slid into the profile slot from the side.

**Material:** Black plastic



Code No.	Slot geometry
4018200	40

**Order instruction:**

- Purchase only in lot sizes and a multiple of that see product table below

**Material:** Galvanised steel**Includes:**  
1 unit complete with lock washer**Screws - DIN 7984**

Code No.	Type	lot sizes	Suitable for
4006234	M5x14	10, 20, 30... pcs	Connecting plate 30
4006235	M5x16	10, 20, 30... pcs	Hidden screw 30
4006238	M5x35	10, 20, 30... pcs	Corner joint clamping profiles 30
4016234	M6x16	10, 20, 30... pcs	Connecting plates as of size 40
4016235	M6x20	10, 20, 30... pcs	Hidden screw size 40
4016240	M6x45	10, 20, 30... pcs	Corner joint clamping profiles 40
4016236	M8x12	10, 20, 30... pcs	Universal
4016238	M8x18	10, 20, 30... pcs	Universal
4016237	M8x30	10, 20, 30... pcs	Universal

**RK expansion screws**

- Used for low dynamic loads
- Tightening torque 10 Nm

**Material:** Galvanised steel  
Head to DIN 7984

Code No.	Type	lot sizes	Suitable for
4126230	M6x35	10, 20, 30... pcs	40x40 to 80x160 F-profiles

Functional profiles

# Profile covers

## Versions



Cap



End plate



Cover profile -plastic-



Cover profile -aluminium-



Rim



Door gap seal





## Table of contents

<b>Profile covers</b>	Cap .....	p. 266
	End plate .....	p. 268
	Cover profile -plastic-.....	p. 269
	Cover profile -aluminium- .....	p. 269
	Rim .....	p. 270
	Door gap seal .....	p. 270

## Functional profiles

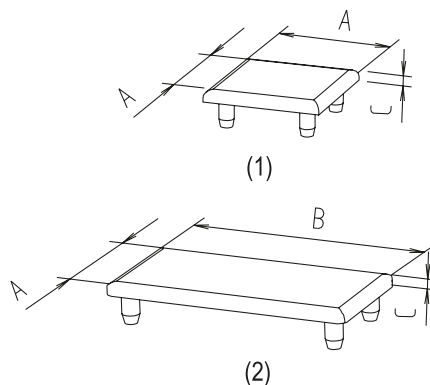
# Profile covers






### Order instruction:

- Purchase only in lot sizes and a multiple of that see product table below

### Caps -plastic-

- In addition to the standard black version (see next page), it is possible to order other types in various RAL colours. Other profile types and RAL colours available on request.
- Please note that, for typographical reasons, the colour illustrated here is only an approximation of the RAL colour.



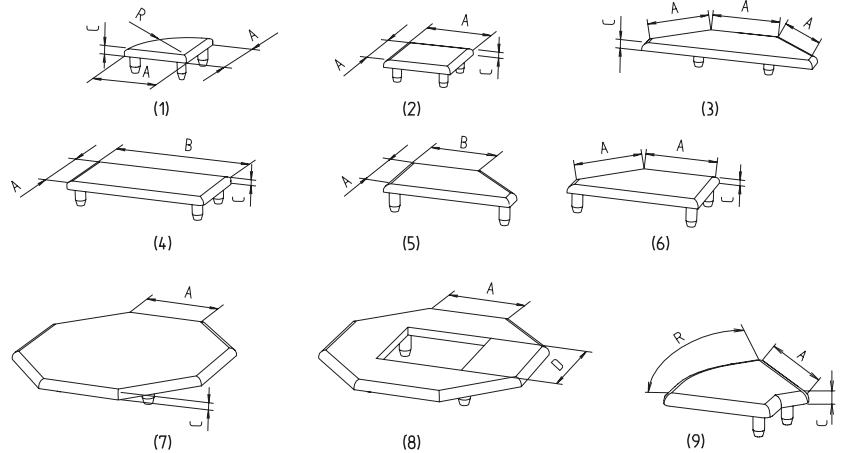
	White RAL 9006
	Grey RAL 7035
	Yellow RAL 1021
	Red RAL 3020
	Blue RAL 5005

Code No.	Type	lot sizes	See figure	A	B	C	D	R
<b>Colour plastic cap</b>								
410042_	F-R 30	10, 20, 30... pcs	1	30	-	3	-	29
400042_	F-G/GG/2G/3G 30x30	10, 20, 30... pcs	2	30	-	3	-	-
401042_	F-G/GG/2G/3G 40x40	10, 20, 30... pcs	2	40	-	4	-	-
403042_	F-G/F-GG 40x80	10, 20, 30... pcs	4	40	80	4	-	-
408842_	F-G/GG/2G/3G 50x50, SP-50x50	10, 20, 30... pcs	2	50	-	4	-	-
412142_	F-G/GG/2G/3G 60x60	10, 20, 30... pcs	2	60	-	4	-	-
404042_	F-G/GG/2G 80x80	10, 20, 30... pcs	2	80	-	4	-	-

2 = RAL 9006  
 3 = RAL 7035  
 4 = RAL 1021  
 5 = RAL 3020  
 6 = RAL 5005



**Black caps**  
-plastic-



Black RAL 9005

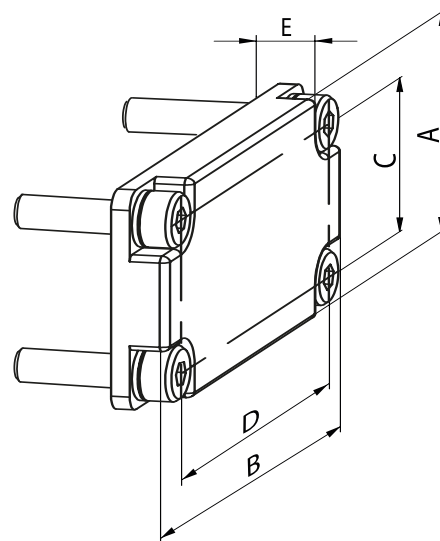
Code No.	Type	lot sizes	Version	See figure	A	B	C	D	R
<b>Black plastic cap</b>									
4000421	F-G/GG/2G/3G 30x30	10, 20, 30... pcs		2	30	-	3	-	-
4010421	F-G/GG/2G/3G 40x40	10, 20, 30... pcs		2	40	-	4	-	-
4030421	F-G/GG 40x80	10, 20, 30... pcs		4	40	80	4	-	-
4088421	SP-50x50, F-G/GG/2G/3G 50x50	10, 20, 30... pcs		2	50	-	4	-	-
4100421	F-R 30	10, 20, 30... pcs		1	30		3		R 29
4121421	F-G/GG/2G/3G 60x60	10, 20, 30... pcs		2	60	-	4	-	-
4040421	F-G/GG/2G 80x80	10, 20, 30... pcs		2	80	-	4	-	-
4388421	15x40	10, 20, 30... pcs		4	15	40	4	-	-
4348421	15x60	10, 20, 30... pcs		4	15	60	4	-	-
4358421	15x80	10, 20, 30... pcs		4	15	80	4	-	-
4368421	15x120	10, 20, 30... pcs		4	15	120	4	-	-
4378421	15x160	10, 20, 30... pcs		4	15	160	4	-	-
4158421	2x40	10, 20, 30... pcs		5	40	-	4	-	-
4158422	2x40	10, 20, 30... pcs		6	40	-	4	-	-
4258421	3x40	10, 20, 30... pcs		3	40	-	4	-	-
4050421	8x40	10, 20, 30... pcs		7	40	-	4	-	-
4050422	8x40	-		8	40	-	4	40	-
4200421	KL 30x30, ESP 30	10, 20, 30... pcs		2	30	-	3	-	-
4600421	KLD 30x30	10, 20, 30... pcs		2	30	-	3	-	-
4700421	KLE 30x30	10, 20, 30... pcs		2	30	-	3	-	-
4408421	KLW 30-15	10, 20, 30... pcs		9	30	-	3	-	15°
4418421	W/KLW 30-30	10, 20, 30... pcs		9	30	-	3	-	30°
4428421	W/KLW 30-45	10, 20, 30... pcs		9	30	-	3	-	45°
4448421	W/KLW 30-60	10, 20, 30... pcs		9	30	-	3	-	60°
4438421	W/KLW 30-90	10, 20, 30... pcs		9	30	-	3	-	90°
4210421	KL 40x40, ESP 40	10, 20, 30... pcs		2	40	-	4	-	-
4610421	KLD 40x40	10, 20, 30... pcs		2	40	-	4	-	-
4710421	KLE 40x40	10, 20, 30... pcs		2	40	-	4	-	-
4458421	KLW 40-15	10, 20, 30... pcs		9	40	-	4	-	15°
4468421	W/KLW 40-30	10, 20, 30... pcs		9	40	-	4	-	30°
4478421	W/KLW 40-45	10, 20, 30... pcs		9	40	-	4	-	45°
4498421	W/KLW 40-60	10, 20, 30... pcs		9	40	-	4	-	60°
4488421	W/KLW 40-90	10, 20, 30... pcs		9	40	-	4	-	90°

## Functional profiles

# Profile covers

### End plate

**Includes:** End plate complete with fixing set



Code No.	Type	A	B	C	D	E
<b>End plate to cover the front-end of the profile</b>						
<b>Die-cast aluminium</b>						
4004401	F-G/GG/2G/3G 30x30	30	30	21	21	6
4084401	F-G/GG/2G/3G 50x50	50	50	38	38	7
4044401	F-G/F-GG 80x80	80	80	68	68	8
<b>Aluminium</b>						
4064401	F-G/GG/2G/3G 60x120	60	120	48	108	15
4074401	F-G/GG/2G 80x160	80	160	68	148	15

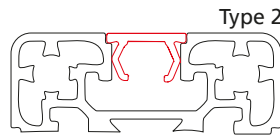
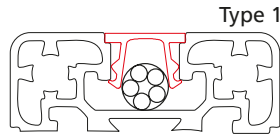


### Cover profile -plastic-

- For the flush covering of longitudinal slots. Two versions are available.

- Due to the geometry of type 1, it is possible to route leads in the slot. Type 2, on the other hand, is easier to take out of the profile slot (without leaving residues).

**Material:** Plastic  
Please note that, for typographical reasons, the colour illustrated here is only an approximation of the RAL colour.  
Further special colours available on request.

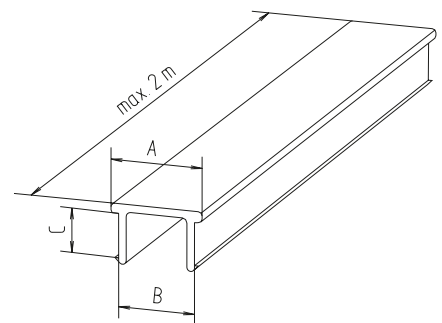
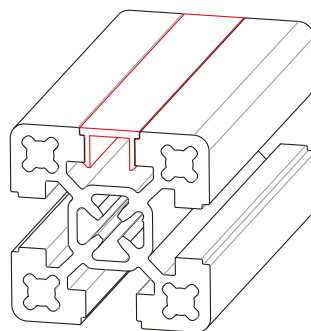


- Black RAL 9005
- White RAL 9006
- Grey RAL 7035
- Yellow RAL 1021
- Red RAL 3020
- Blue RAL 5005

Code No.	Type	Version	Colour	A	B	C
4000570	2	2 m bar	Black	12	11.2	6.4
4000575	2	2 m bar	Grey	12	11.2	6.4
4000577	2	2 m bar	White	12	11.2	6.4
4000579	2	2 m bar	Yellow	12	11.2	6.4
4000581	2	2 m bar	Red	12	11.2	6.4
4000583	2	2 m bar	Blue	12	11.2	6.4
4008570	1	2 m bar	Black	12	11.2	6.4
4000585	1	2 m bar	Yellow	12	11.2	6.4
4000586	1	2 m bar	Transparent	12	11.2	6.4

### Cover profile -aluminium-

**Material:** Al Mg Si 0.5  
Clear anodised.



Code No.	Type	Slot geometry	A	B	C
4005572	Cut to size	30	12	10	2.7
4005570	1	30	12	10	2.7
4015572	Cut to size	40	12	10	5.2
4015570	1	40	12	10	5.2

## Functional profiles

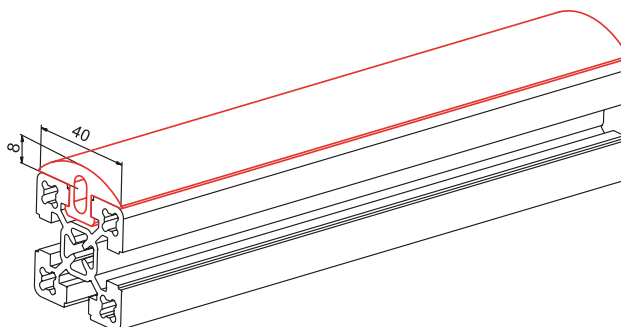
# Profile covers

### Rim

- Protects the structure from damage
- Simply pressed into the profile slot

**Material:**  
Synthetic EPDM rubber, black

**Shore hardness:** 70 Shore



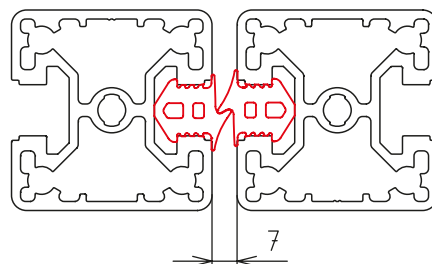
Code No.	Type	Slot geometry
4018594	Rim, 30 m roll	40
401859910000	Rim, 10 m roll	40

### Door gap seal

- Can absorb gap width tolerances
- Acts as a door stop

**Material:** NBR rubber, black

**Shore hardness:** 55 Shore



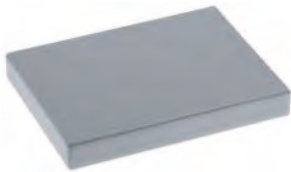
Code No.	Type	Slot geometry
401851810000	Door gap seal, 10 m roll	40
401851850000	Door gap seal, 50 m roll	40
4018518100000	Door gap seal, 100 m roll	40



Functional profiles

# Panels and accessories

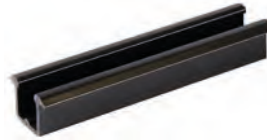
## Versions



Panels



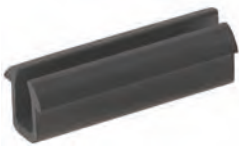
Framing profile



Embedding U-profile



Frame profile  
Corner joint



Profile seal



Block joint -L-



Block joint -G-



Block joint -K-



Vario-Quick  
holding block R



Vario-Quick  
holding block S



Vario-Quick  
holding block L



Vario-Quick  
holding block K/KK



Vario-Quick  
cable bracket



Tube clamp



Sliding door profile





## Table of contents

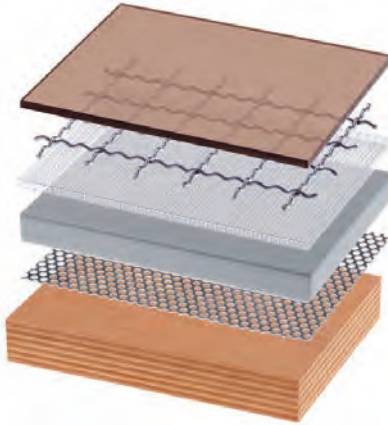
<b>Panels and accessories</b>	Panels ..... p. 274
	2-piece framing profile Plastic..... p. 276
	2-piece embedding U-profile ..... p.278
	Frame profile/corner joint ..... p. 281
	Profile seals..... p. 282
	Block joint -L- ..... p. 284
	Block joint -G-..... p. 285
	Block joint -K-..... p. 285
	Vario-Quick holding block R..... p. 286
	Vario-Quick holding block S ..... p. 286
	Vario-Quick holding block L ..... p. 287
	Vario-Quick holding block K/KK..... p. 288
	Vario-Quick cable bracket..... p. 289
	Tube clamp ..... p. 288
	Sliding door profile ..... p. 290

## Functional profiles

# Panels and accessories

### Panels

- For doors, cladding, safety and table tops. Cut to specification!



Code No.	Type	Thickness	Version	Max. size [mm]	Weight [kg/m <sup>2</sup> ]
4018584	Makrolon	2 mm	Clear	3.050 x 2.050	2.40
4018586	Makrolon	4 mm	Clear	3.050 x 2.050	4.80
4018576	Makrolon	6 mm	Clear	3.050 x 2.050	8.00
4018579	Makrolon	6 mm	Brown tinted	3.050 x 2.050	8.00
4018578	Makrolon	10 mm	Clear	3.050 x 2.050	13.00
4018582	Acrylic glass	4 mm	Clear	3.050 x 2.050	4.80
4018595	Acrylic glass	5 mm	Clear	3.050 x 2.050	6.00
4018563	Acrylic glass	5 mm	Blue, transparent	3.050 x 2.030	6.00
4018575	Acrylic glass	6 mm	Clear	3.050 x 2.050	7.20
4018577	Acrylic glass	10 mm	Clear	3.050 x 2.050	13.00
4012576	Trespa	6 mm	Brown	2.050 x 2.130	8.40
4012586	Trespa	6 mm	Silver-grey	3.050 x 1.530	8.40
4012587	Trespa	10 mm	Silver-grey	3.050 x 1.530	13.00
4018570	Koematex	6 mm	White	3.050 x 2.030	4.20
4018571	Koematex	8 mm	White	3.050 x 2.030	5.60
4018572	Koematex	10 mm	White	3.050 x 2.030	6.00
4012579	Multiplex	30 mm	Untreated	2.500 x 1.500	27.00
4015573	Aluminium	2 mm	Clear anodised	2.000 x 1.000	5.40
4012582	Table top	19 mm	Grey plastic-coated, glued edges	2.000 x 2.075	14.70
4012577	Composite	6 mm	Clear anodised	3.050 x 1.500	7.30
4012511	MDF panel	6 mm	Untreated	2.000 x 2.075	5.00
4012512	MDF panel	8 mm	Untreated	2.000 x 2.075	6.60
4016576	Perforated plate	1 mm	Round holes in staggered rows, galvanised steel	1.000 x 2.000	4.30
4016577	Wire mesh 20x20	2.5 mm	Galvanised steel	2.000 x 1.000	2.40
4016578	Wire mesh 30x30	3 mm	Galvanised steel	2.000 x 3.000	3.70
4016579	Wire mesh 40x40	3.8 mm	Galvanised steel	2.000 x 3.000	4.70

Further versions available on request. For material descriptions, see next page.



**Makrolon**  
Unbreakable, impact-resistant, weather-resistant, good chemical resistance



**Wire mesh**  
Galvanised steel, cost-effective panel for safety devices



**Acrylic glass**  
Highly transparent, low thickness tolerances, weather-resistant, unbreakable, easy to work with



**Perforated plate**  
Galvanised sheet steel, 5 mm round hole in staggered rows



**Trespa**  
Colourfast, weather-resistant, decorative, impact-, shock- and scratch-resistant, very easy to work with



**Table top**  
Decorative, plastic-coated, glued edges



**Koematex**  
Flame-retardant, thermoformable, low static charging, very easy to work with



**Composite**  
Low-weight, high flexural strength, weather-resistant, very good flatness and smooth surface



**Multiplex panel**  
High load-bearing strength and flexural strength, easy to work with



**MDF panel**  
Easy to work with, cost-effective

## Functional profiles

# Panels and accessories

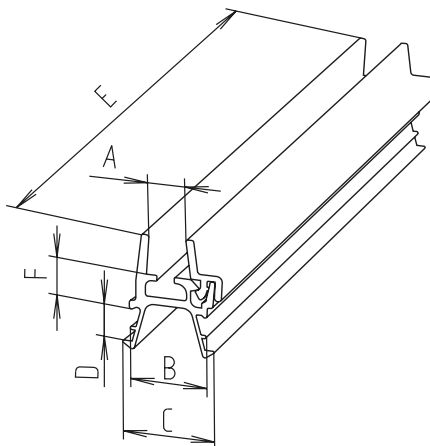
### 2-piece framing profile

- Used for retrofitting panels

**Material:** Black plastic.  
For a description of assembly, please see page 277

**Profile cut length:**  
Frame internal dimension -33 mm  
(if corner pieces are used)

**Panel cut length:**  
Frame internal dimension -5.5 mm  
all-round



Note: Note there is another framing profile version on page 278.

Code No.	Type	A	B	C	D	E	F
4018556	Bar	4	11.8	14.2	5	2000	4
4018558	Bar	5	11.8	14.2	5	2000	4
4018560	Bar	6	11.8	14.2	5	2000	4

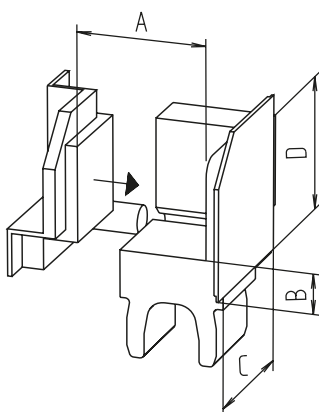
### Order instruction:

- Purchase only in lot sizes and a multiple of that see product table below

**Material:** Black plastic

**Assembly description:**  
see page 277

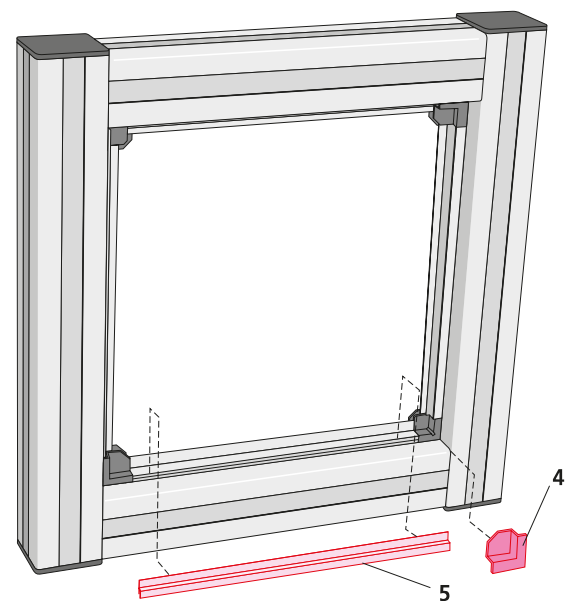
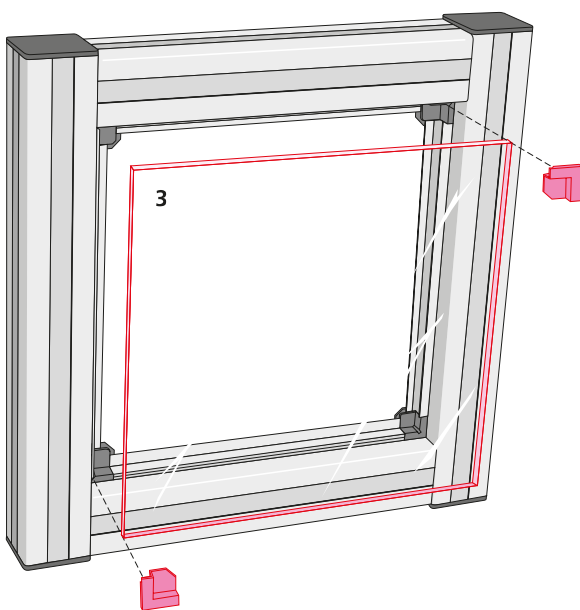
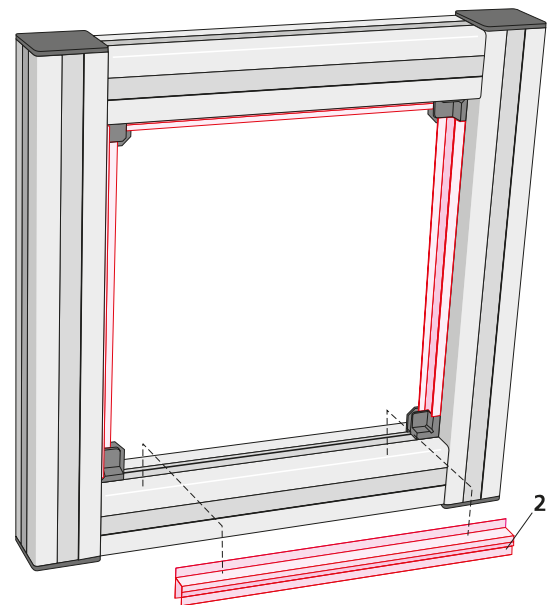
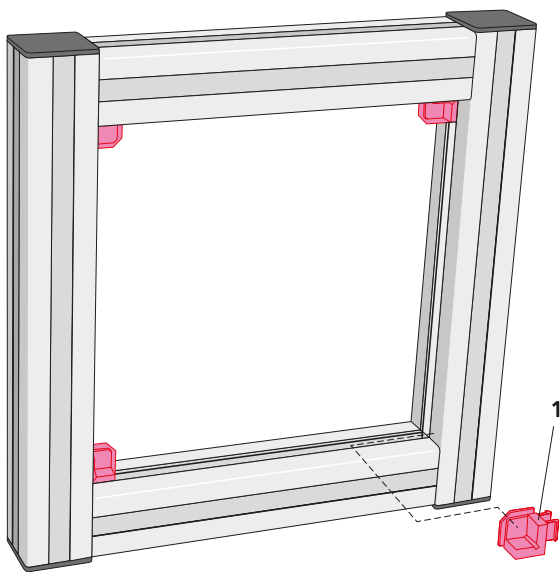
### Corner piece



Code No.	lot size	A	B	C	D
40185651	4, 8, 12... pcs	4 or 6	4	17	17

**Assembly description:**

1. Insert the corner piece base unit (1) into each corner.
  2. Cut framing profile (2) and press it into the profile slots.
  3. Insert panel (3) and fix with 2 corner piece covers (4) in diagonally opposite corners.
  4. Press in the cover strip of the framing profiles.
  5. Press in the remaining corner piece covers.
- All components can be undone if necessary, so that damaged panels or panes can be replaced without difficulty.



## Functional profiles

# Panels and accessories

### 2-piece framing profile Used for retrofitting panels

- Used for retrofitting panels
- The aluminium bottom is designed to take panel thicknesses of 4, 6, 8 or 10 mm. A plastic top serves as a sealing strip and protects against dust and splashes.

#### Material:

Aluminium profile bottom, black plastic profile top (with soft PVC on the sealing strips)

#### Profile cut length:

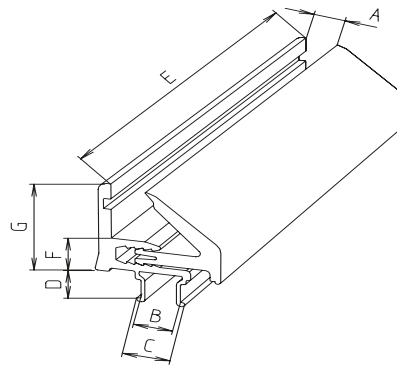
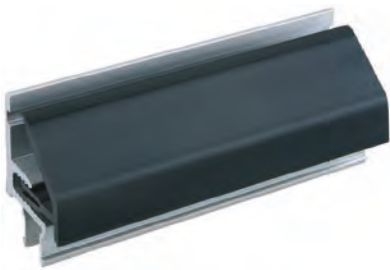
Frame internal dimension -56 mm (if corner pieces are used)

#### Panel cut length:

Frame internal dimension -11.5 mm all-round.

#### Assembly description:

See page 277



Code No.	Type	To slot geom.	A	B	C	D	E <sub>Max</sub>	F	G
4010571	Cut to size	40	4,6,8,10	9.2	11.4	6.8	2000	10	26
4010572	Bar	40	4,6,8,10	9.2	11.4	6.8	2000	10	26

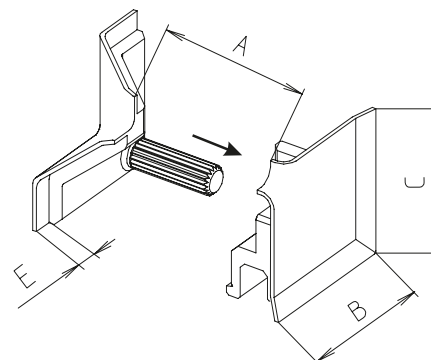
### Order instruction:

- Purchase only in lot sizes and a multiple of that see product table below

- **Material:** Black plastic

- **Assembly description:**  
See page 277

### Corner piece



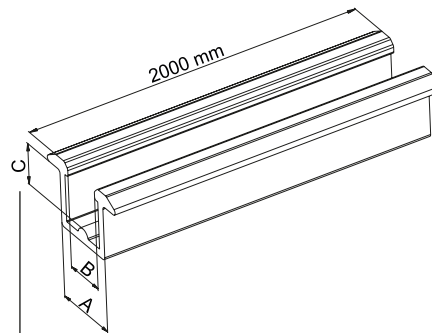
Code No.	lot sizes	Slot geometry	A	B	C	E
40185661	4, 8, 12... pcs	40	4-10	31	31	5

## Embedding U-profile

- Panels with a thickness of 6 mm can be embedded in the slots with the plastic profile.
- The embedding U-profiles are slid into the slot before assembly.

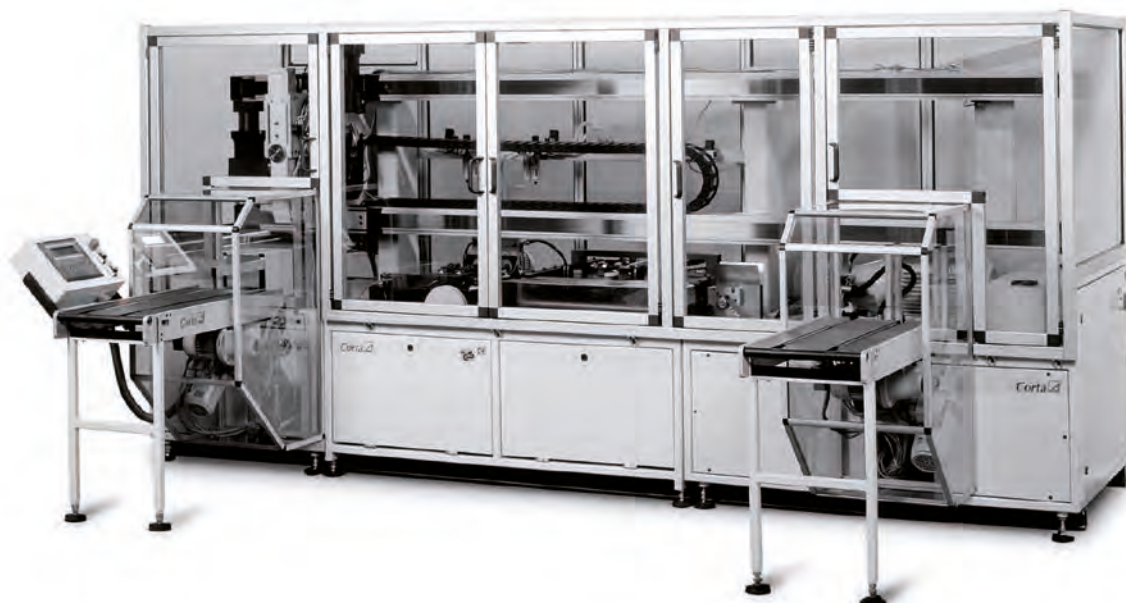
**Material:** Black plastic

**Panel cut length:**  
Frame internal dimension +6 mm all-round.



equals insertion depth

Code No.	Type	To slot geometry	A	B	C
4010575	Bar	30 + 40	10	6	6



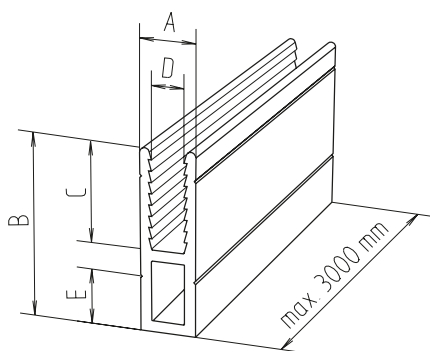
## Functional profiles

# Panels and accessories

### Frame profile

- Takes wire meshes (up to 30x30x3) and panels  
**Material:** Aluminium

**Panel cut length:**  
Frame internal dimension -7 mm  
(with 30 slot geometry -10 mm, see page 178) all-round, for fixing in the slot.



Code No.	Type	A	B	C	D	E
4015562	Cut to size	10	33	18	5.8	10
4015560	3m bar	10	33	18	5.8	10

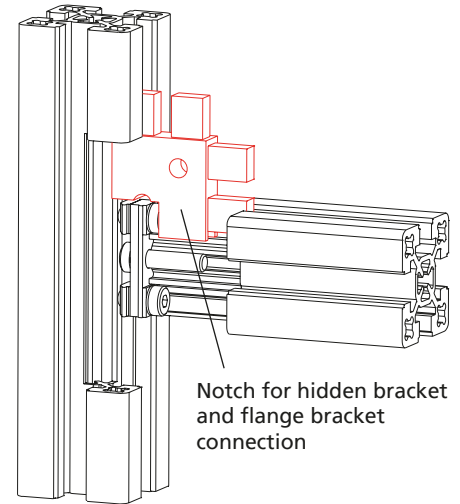
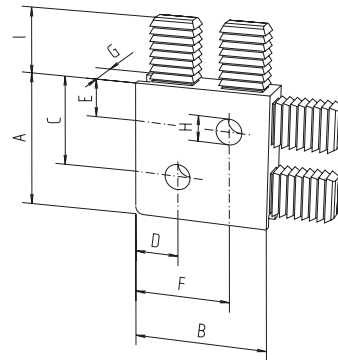
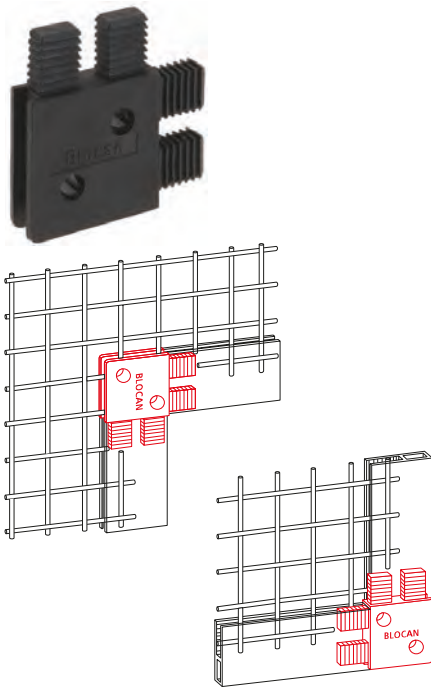


**Order instruction:**

- Purchase only in lot sizes and a multiple of that see product table below

**Frame corner joint**

- Connection element for the frame profile

**Material: Black plastic**


Code No.	lot sizes	A	B	C	D	E	F	G	H	I
4010565	4, 8, 12... pcs	34	34	23	11	10	24	10	6.5	15
4000566	With notch for 30 slot geometry (see diagram above)									
4010566	With notch for 40 slot geometry (see diagram above)									

## Functional profiles

# Panels and accessories

### Profile seal

Version for 2-sided sealing

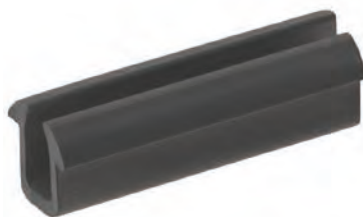


- Fixing panels in the profile slot

**Assembly:** Ideally, the seal is first laid around the panel and then placed into the profile slot.

**Material:** SBR, 60 Sh, black

**Panel cut length:**  
Frame internal dimension +6 mm all-round.



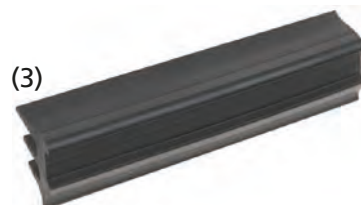
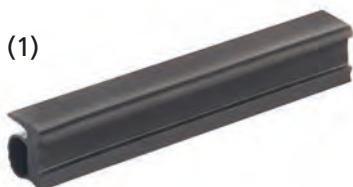
Code No.	Sealing	Slot geometry	length
401851510000	2-sided	40	10 m
401851560000			60 m

Version for 1-sided and 2-sided sealing



**Assembly:** Insert the panel into the profile slot. Then press the profile seal into the slot by hand or using a blunt object.

**Material:** Black EPDM



Code No.	See figure	Sealing	Slot geometry	Length	
4018513010000	1	1-sided	40	10 m	
4018513050000				50 m	
4018513150000				150 m	
421857110000	2		30, 40	10 m	
4218571150000				50 m	
4218571100000				100 m	
401851410000	1			40	10 m
401851450000					50 m
4018514100000					100 m

\*The clampable wall thickness is reduced by 2 mm (see p. 427)



## Profile seals for panel elements Mounting options

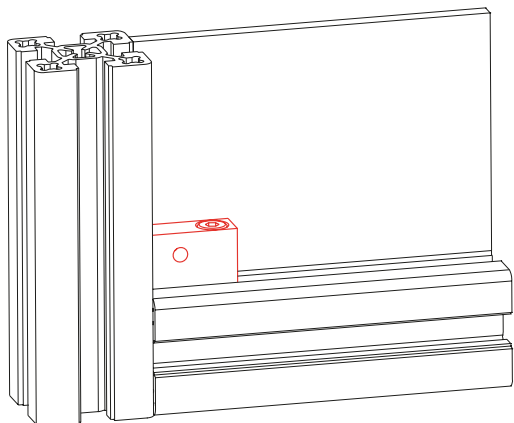
Profile	Version	Panel thickness [mm]								Seal	Example	Code No.
		10	8	6	5	4	3	2	1			
KL-40	without seal (0-6)mm and (4-10)mm	X	X	X	X	X	X	X	X	-		-
	(See figure 3) Profile seal 1-sided for panel thickness 6mm (1-3)mm and (4-8)mm		X	X	X	X	X	X	X			421857110000 421857150000 42185711000000
KL-30	Without seal			X	X	X	X			-		-
	(See figure 3) Profile seal 1-sided for panel thickness 6mm				X	X	X	X				421857110000 421857150000 42185711000000
ESP-40	(See figure 3) Profile seal 1-sided for panel thickness 6mm				X	X						421857110000 421857150000 42185711000000
ESP-30	(See figure 3) Profile seal 1-sided for panel thickness 6mm						X					421857110000 421857150000 42185711000000
Slot geometry 40	Without seal	X								-		-
	Profile seal 2-sided for panel thickness 6mm			X	X							401851510000 401851560000
	(See figure 2) Profile seal 1-sided for panel thickness 6mm			X	X	X						401851410000 401851450000 40185141000000
	(See figure 1) Profile seal 1-sided for panel thickness 2-4mm					X	X	X				4018513010000 4018513050000 40185130100000
	(See figure 2) Profile seal 1-sided for panel thickness 6mm mounted on both sides							X				2 x 401851410000 2 x 401851450000 2 x 40185141000000

## Functional profiles

# Panels and accessories

## Block joint

- For fixing panels to profiles



### Order instruction:

- Purchase only in lot sizes and a multiple of that see product table below

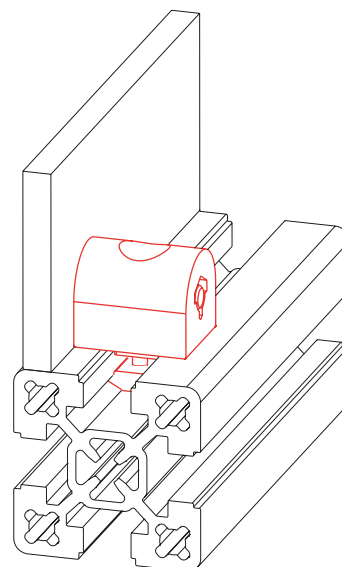
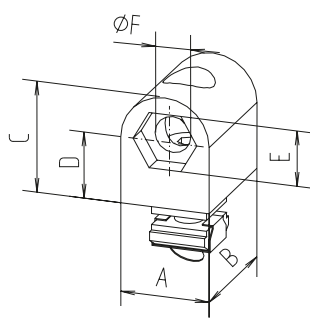
### Material:

Black plastic, galvanised steel parts

### Includes:

Complete fixing set for profile assembly.

## Block joint -L-



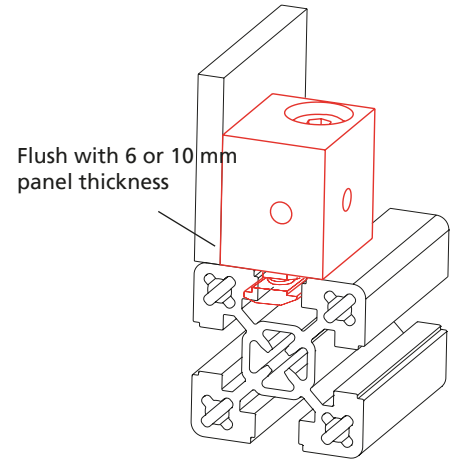
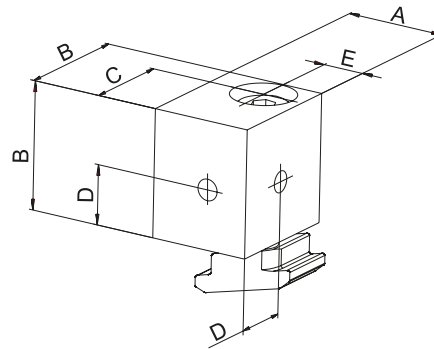
										[mm]
Code No.	Type	lot sizes	Slot geometry	A	B	C	D	E	F	
4008122	Block joint -L-	–	30	20	24	20	10	8	5.5	
4018122	Block joint -L-	–	40	20	24	20	10	8	5.5	
4004131	Fixing screw for panel	10, 20, 30... pcs	Wall thickness 2-8 mm	Socket head button screw M5x30 ISO 7380						



### Block joint -G-

**Material:**  
Vibration finished aluminium,  
galvanised steel parts

**Includes:**  
Complete fixing set for profile  
assembly.



[mm]

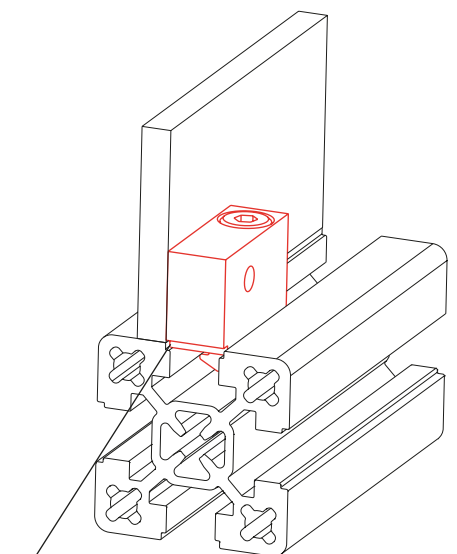
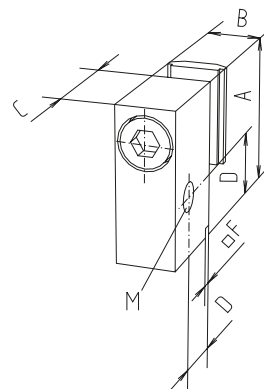
Code No.	Type	Slot geometry	A	B	C	D	E
4015121	M6	40	24	30	22	14	10
4025122	M8	40	24	30	22	14	10
4085121	M6 for profile 50	40	34	30	22	14	15
4085122	M8 for profile 50	40	34	30	22	14	15

### Block joint -K-

**Material:**  
Vibration finished aluminium,  
galvanised steel parts

**Includes:**  
Complete fixing set for profile  
assembly.

The insertion depth in the profile  
is 1.5 mm.



Insertion depth

[mm]

Code No.	Type	Slot geometry	A	B	C	D	F	M
4005123	M6	30	32	12	20	12.5	2	M6
4015123	M6	40	32	12	20	12.5	2	M6

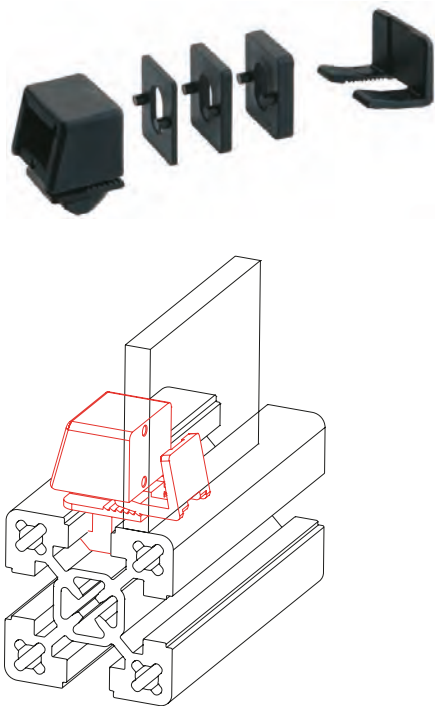
**Functional profiles**

**Panels and accessories**

**Order instruction:**

- Purchase only in lot sizes and a multiple of that see product table below

**Vario-Quick holding block R**



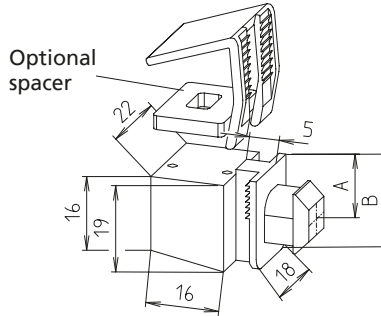
- For retrofitting a wide variety of panels without screws in an existing profile structure
- Fixation by means of toothed snap-in clips. Spacers allow for different distances from the profile edge

**Clamping range for panels:**  
1-10 mm.

**Panel cut length:**  
Frame internal dimension -6 mm all-round.

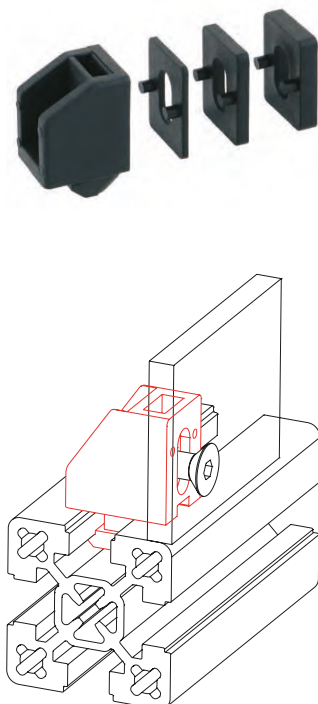
**Material:** Black plastic

**Includes:**  
1 pack of 10



Code No.	Type	lot sizes	Version	[mm]	
				A	B
40081231	Holding block R	10, 20, 30... pcs	30 slot geometry	5.5	20
40181231	Holding block R	10, 20, 30... pcs	40 slot geometry	8.5	20
40081321	Spacer R	10, 20, 30... pcs	2 mm	-	-
40081331	Spacer R	10, 20, 30... pcs	3 mm	-	-
40081351	Spacer R	10, 20, 30... pcs	5 mm	-	-

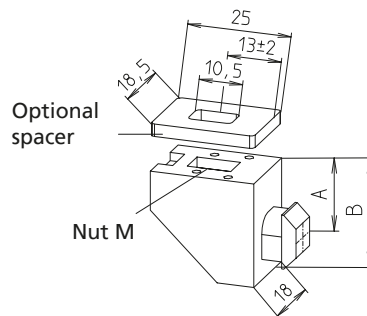
**Vario-Quick holding block S**



- For retrofitting a wide variety of panels in an existing profile structure
- The panel is screwed to the holding block.

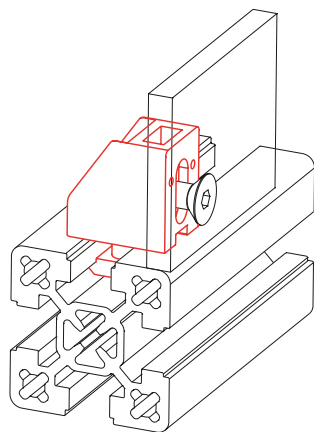
• Spacers allow for different distances from the profile edge

**Material:** Black plastic  
Galvanised nut



Code No.	Type	lot sizes	Version	[mm]		
				A	B	M
40081641	Holding block S	10, 20, 30... pcs	30 slot geometry	5	18	M4
40181641	Holding block S	10, 20, 30... pcs	40 slot geometry	10	25	M4
40081241	Holding block S	10, 20, 30... pcs	30 slot geometry	5	18	M6
40181241	Holding block S	10, 20, 30... pcs	40 slot geometry	10	25	M6
40181321	Spacer S/L	10, 20, 30... pcs	2 mm	-	-	-
40181331	Spacer S/L	10, 20, 30... pcs	3 mm	-	-	-
40181351	Spacer S/L	10, 20, 30... pcs	5 mm	-	-	-

## Vario-Quick holding block L

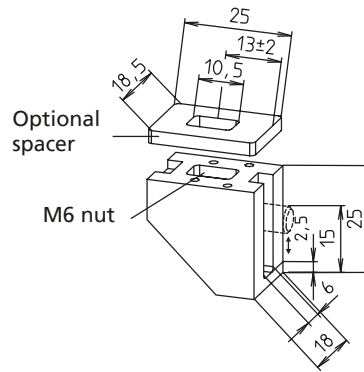


- For fixing various panels in an profile structure.
- The panel is screwed to the holding block.
- One fixing set connects one profile. The slot allows different panel thicknesses to be fixed without spacers.

**Material:** Black plastic, galvanised nut

**Includes:**  
1 pack of 10

The Order No. includes one complete fixing set (socket head cap screw, slot stone -F-) for mounting on profile

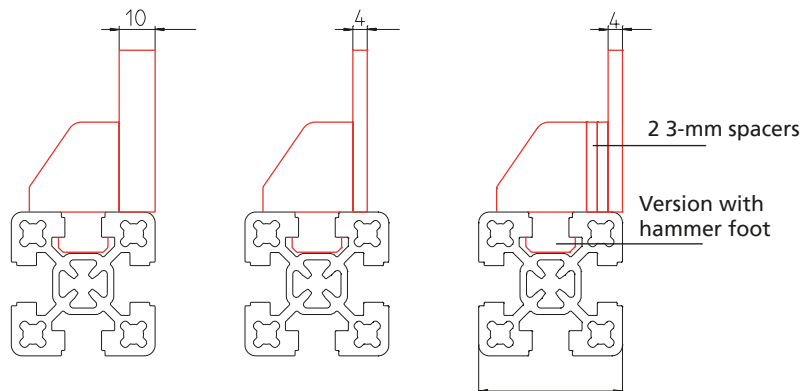


[mm]

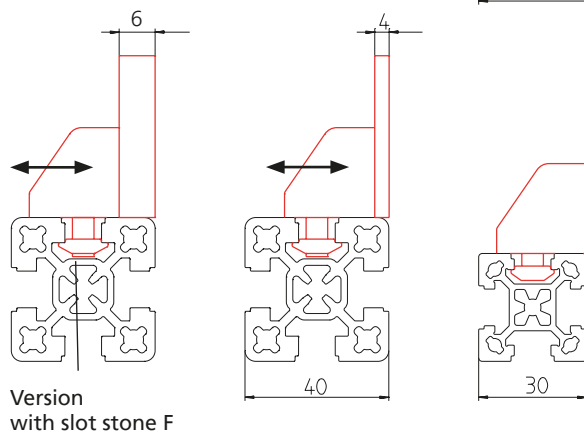
Code No.	Type	lot sizes	Version
40081261	Holding block L	10, 20, 30... pcs	30 slot geometry
40181261	Holding block L	10, 20, 30... pcs	40 slot geometry
40181321	Spacer S/L	10, 20, 30... pcs	2 mm
40181331	Spacer S/L	10, 20, 30... pcs	3 mm
40181351	Spacer S/L	10, 20, 30... pcs	5 mm

## Application examples:

- **Vario-Quick holding block R/S**  
Profile 40 combined with panel thickness 4 and 10 mm. Compensation using spacers (choice of 2, 3 or 5 mm)



- **Vario-Quick holding block L:**  
Profile 40 combined with panel thickness 4 and 6 mm. Compensation using slot – if necessary, using spacers (choice of 2, 3 or 5 mm)



Version with slot stone F

## Functional profiles

# Panels and accessories

### Order instruction:

- Purchase only in lot sizes and a multiple of that see product table below

- For fixing cables and hoses
- It is possible to insert it into the profile slot retrospectively

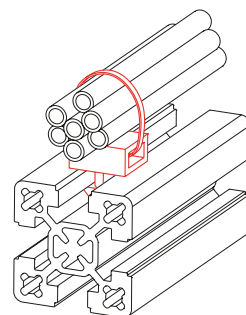
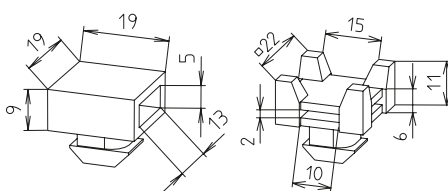
**Material:** Black plastic

## Vario-Quick holding block K/KK

Type K



Type KK

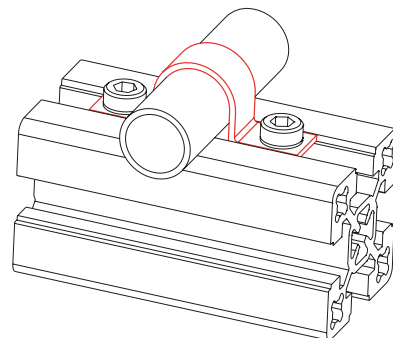
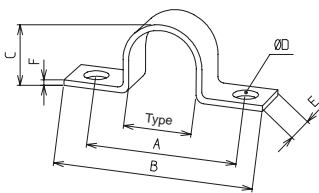


Code No.	Type	lot sizes	Version
40081251	Holding block K	10, 20, 30... pcs	30 slot geometry
40181251	Holding block K	10, 20, 30... pcs	40 slot geometry
40181271	Holding block KK	10, 20, 30... pcs	40 slot geometry

## Tube clamp

- For fixing tubes, hoses and cables

**Material:** Stainless steel, galvanised fixing set



[mm]

Code No.	Type	lot sizes	A	B	C	D	E	F
40105401	Ø6	10, 20, 30... pcs	28	41.5	6.8	6.5	12	1
40105411	Ø8	10, 20, 30... pcs	28	41.5	8.5	6.5	12	1
40105421	Ø10	10, 20, 30... pcs	33	46	10.5	6.5	12	1
40105431	Ø12	10, 20, 30... pcs	33	46	13	6.5	12	1
40105441	Ø14	10, 20, 30... pcs	35	48	15	6.5	12	1
40105451	Ø18	10, 20, 30... pcs	40	53	19.5	6.5	12	1.5
40105461	Ø20	10, 20, 30... pcs	40	53	21.2	6.5	12	1.5
40105471	Ø21.3	10, 20, 30... pcs	40	53	22.5	6.5	12	1.5
40105481	Ø27	10, 20, 30... pcs	47	60	28	6.5	12	1.5
Fixing set (for 10 tube clamps)								
40005491	30 slot geometry	10, 20, 30... pcs	-	-	-	-	-	-
40105491	40 slot geometry	10, 20, 30... pcs	-	-	-	-	-	-

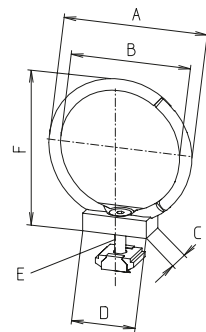




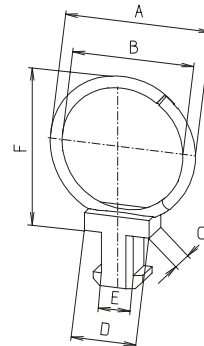
### Vario-Quick cable bracket

- For routing cables and hoses
- Can be opened and reused without any problem
- Simply screwed into the slot

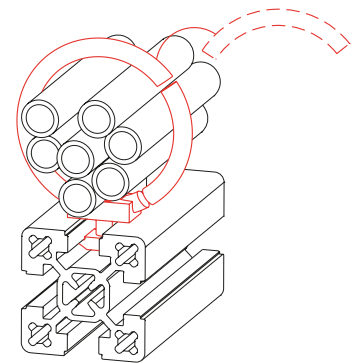
Material: Black plastic



Slot stone (N) version



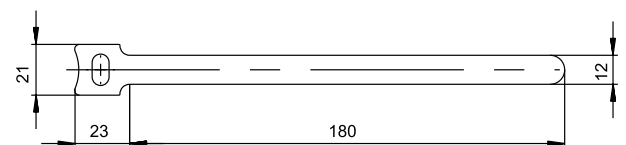
Hammer foot (HF) version



[mm]

Code No.	Type	lot sizes	Slot geometry	A	B	C	D	E	F
40081401	15 HF	10, 20, 30... pcs	30	28.5	17	10	19	9.5	28.5
40181401	15 HF	10, 20, 30... pcs	40	28.5	17	10	19	9.5	28.5
40081441	15 N	10, 20, 30... pcs	30	28.5	17	12	20	M 5	28.5
40181521	15 N	10, 20, 30... pcs	40	28.5	17	12	20	M 5	28.5
40081411	25 HF	10, 20, 30... pcs	30	36.5	25	10	19	9.5	36.5
40181411	25 HF	10, 20, 30... pcs	40	36.5	25	10	19	9.5	36.5
40081451	25 N	10, 20, 30... pcs	30	36.5	25	12	20	M 5	36.5
40181531	25 N	10, 20, 30... pcs	40	36.5	25	12	20	M 5	36.5
40081421	35 HF	10, 20, 30... pcs	30	47.5	35	10	19	9.5	47.5
40181421	35 HF	10, 20, 30... pcs	40	47.5	35	10	19	9.5	47.5
40081461	35 N	10, 20, 30... pcs	30	47.5	35	12	20	M 5	47.5
40181541	35 N	10, 20, 30... pcs	40	47.5	35	12	20	M 5	47.5
40081431	45 HF	10, 20, 30... pcs	30	56.5	45	10	19	9.5	56.5
40181431	45 HF	10, 20, 30... pcs	40	56.5	45	10	19	9.5	56.5
40181551	45 N	10, 20, 30... pcs	40	56.5	45	12	20	M 5	56.5

### Cable straps with velcro



Code No.	Scale of pack quantities
91815	5, 10, 15... piece

## Functional profiles

# Panels and accessories

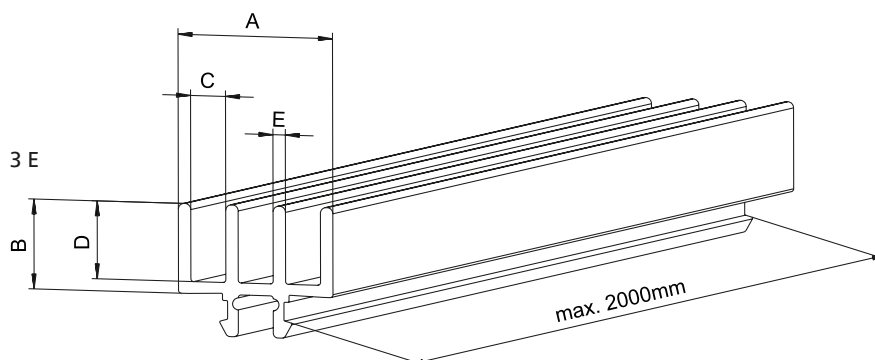
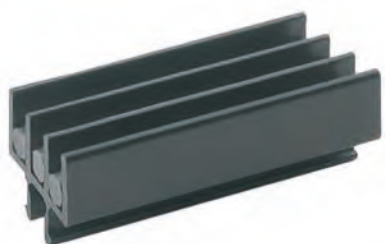
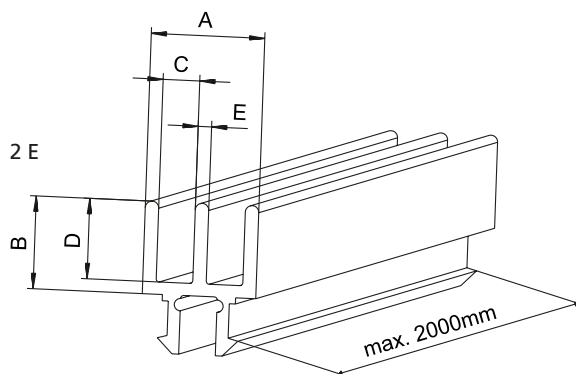
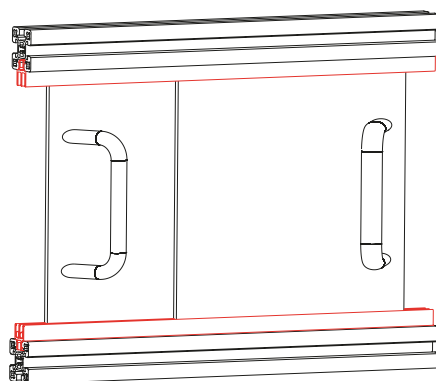
### Sliding door profile

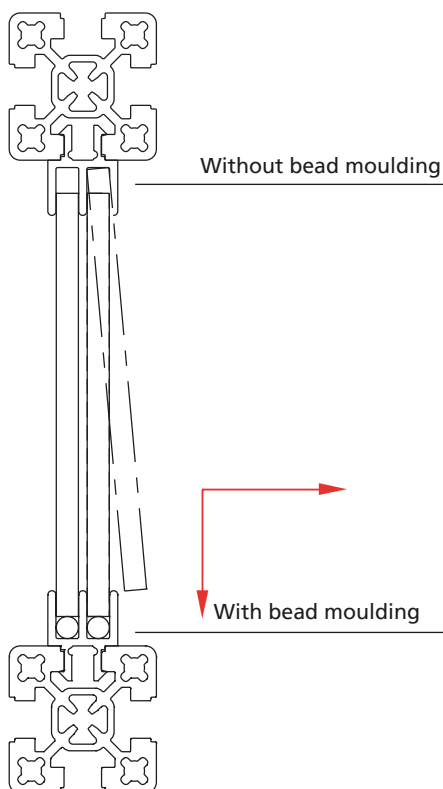
- The sliding door profile is inserted into the longitudinal slot of the BLOCAN® profile. Then the bead moulding is placed in the bottom sliding door profile. As illustrated in the diagram, the panels can now be inserted.

**Material:** Black plastic

**Panel cut length:**  
Frame internal height -17 mm for 6 mm panels and -22 mm for 8 mm panels.

For sliding doors with a profile frame, the sliding piece on page 278 or the roller module in the safety guard section on page 458 must be used.





								[mm]
Code No.	Type	Slot geometry	A	B	C	D	E	
<b>Without bead moulding</b>								
4000553	2E, cut to size	30	19	15	6,2	12,6	2	
4000551	2E, bar							
4000593	3E, cut to size	30	27,4	15	6,2	13	2,2	
4000591	3E, bar							
4010555	2E, cut to size	40	18,6	15	6	13	2,2	
4010551	2E, bar							
4010557	2E, cut to size	40	28	17,5	8,3	15	6	
4010556	2E, bar							
On request	3E, cut to size	40	27,4	15	6,2	13	2,2	
On request	3E, bar							
<b>With bead moulding</b>								
4000552	2E, cut to size	30	19	15	6,2	12,6	2,2	
4000550	2E, bar							
4000592	3E, cut to size	30	27,4	15	6,2	13	2,2	
4000590	3E, bar							
4010552	2E, cut to size	40	18,6	15	6	13	2,2	
4010550	2E, bar							
4010554	2E, cut to size	40	28	17,5	8,3	15	6	
4010553	2E, bar							
On request	3E, cut to size	40	27,4	15	6,2	13	2,2	
On request	3E, bar							

Functional profiles

# Feet, castors and accessories

## Versions



Foot -plastic-



Levelling foot



Eye bolt



Connecting plate  
for foot



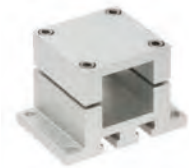
Foundation bracket  
-steel-



Foundation bracket  
-aluminium-



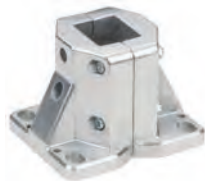
Base plate



Clamp FKV / FV



Base bracket



Base clamp FVV



Steering roller



Fixed castor



Foot rest FSH



## Table of contents

<b>Feet, castors and accessories</b>	Foot -plastic- ..... p. 294
	Levelling foot ..... p. 295
	Eye bolt..... p. 295
	Connecting plate for foot..... p. 296
	Foundation bracket -steel- ..... p. 298
	Foundation bracket -aluminium- ..... p. 299
	Base plate ..... p. 300
	Clamp FKV / FV ..... p. 301
	Base bracket ..... p. 301
	Base clamp FVV ..... p. 302
	Steering roller..... p. 304
	Fixed castor..... p. 305
	Foot rest FSH..... p. 306

## Functional profiles

# Feet, castors and accessories

### Foot –plastic–

- Visually attractive
- Alternative to conventional levelling feet
- Height adjustment without tools

**Material:** Black plastic

**Includes:**

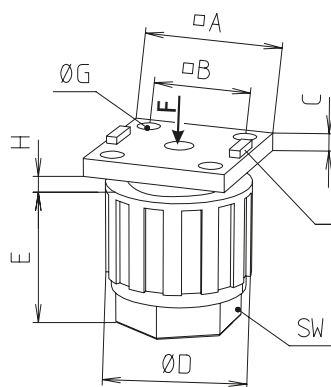
Complete foot with fastenings (galvanised) for connection to one profile.



Fixing in the slot



Fixing to the face



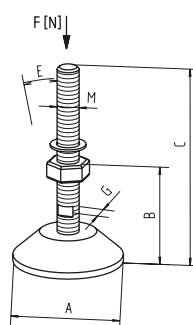
H = height adjustment

Centring pin (if necessary, can be removed with a pliers)

[mm]

Code No.	Slot geometry	A	B	C	D	E	G*	Max. H	Wrench size	F [N]
<b>Fixing in the slot and to the face of the profile</b>										
4008301	30	30	20.5	5	30	29.5	4.5	15	22	1000
4018301	40	40	28	5	40	39.5	6.6	23	30	1200

## Levelling foot

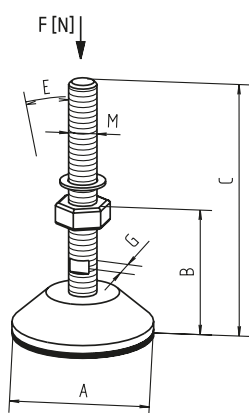


**Material:**  
Galvanised steel,  
black plastic pivot plate.  
Fixation with foot  
connecting plates.  
See page 296.

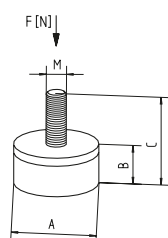
[mm]

Code No.	Type	Version	A	B	C	M	E	G	F [N]
4006304	M8		47	20	52	M8	15°	12	1500
4016302	M10		50	25	93	M10	15°	12	3000
4016303	M12		80	24	117	M12	15°	12	7000
4026301	M16	Corrosion-resist.	80	29	156	M16	15°	13	10000
4046301	M20		60	39	185	M20	15°	16	10000
4696301	M20		100	39	185	M20	15°	16	10000
4696302	M20		123	61	207	M20	15°	16	20000

## Levelling foot with vibration absorber



From M10

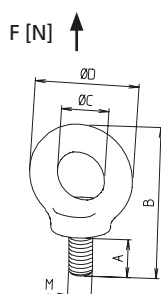


Version: M6, M8

**Material:**  
Galvanised steel  
Black plastic pivot plate.  
Fixation with foot  
connecting plates.  
See page 296

Code No.	Type	Version	A	B	C	M	E	G	F [N]
4006311	M6		25	12	31	M6	-	-	520
4016311	M8		30	15	35	M8	-	12	760
4016312	M10		50	25	94	M10	15°	12	3000
4016313	M12		80	40	119	M12	15°	12	7000
4026311	M16	Corrosion-resist.	80	32	159	M16	15°	13	10000
4046311	M20		60	42	188	M20	15°	16	10000
4696311	M20		100	39	188	M20	15°	16	10000
4046312	M20		123	70	215	M20	15°	16	10000

## Eye bolt



**Material:** Galvanised steel  
C 15 fixation with foot  
connecting plates.  
See page 296

[mm]

Code No.	Type	Version	A	B	C	D	M
4000300	M6	DIN 580	12	39	13,5	28	M6
4000301	M8	DIN 580	13	49	20	36	M8
4000302	M10	DIN 580	17	62	25	45	M10
4000303	M12	DIN 580	20,5	73,5	30	54	M12

## Functional profiles

# Feet, castors and accessories

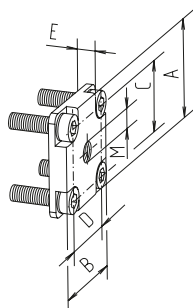
### Connecting plate for levelling feet



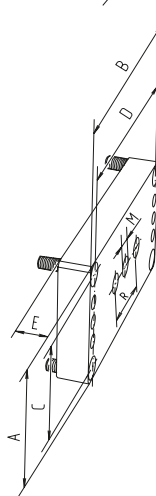
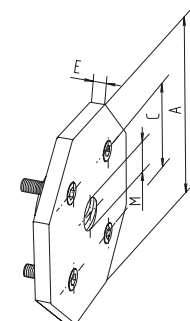
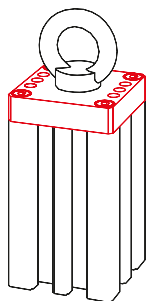
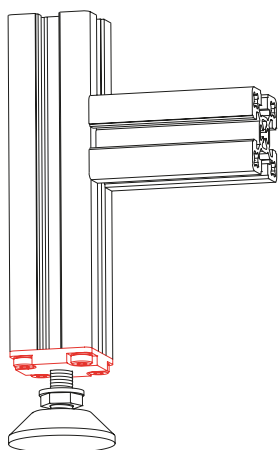
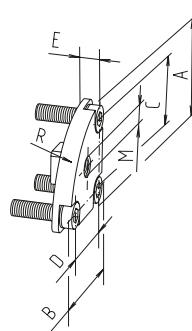
- Connecting plate with tapped hole for feet.
- Also suitable for taking eye bolts.

**Includes:**  
Connecting plate incl. fastenings

(1) Die-cast aluminium



(2) Aluminium



For feet and eye bolts, please see page 295

(3) Gravity die-cast aluminium

(4) Die-cast aluminium

[mm]										
Code No.	Type	Connec-tion	See figure	A	B	C	D	E	M	R
4006401	W/KLW 30-30	M6	2	30	30	-	-	6	M6	R 29
4006402	W/KLW 30-45	M6	2	30	30	-	-	6	M6	R 29
4006403	W/KLW 30-60	M6	2	30	30	-	-	6	M6	R 29
4006404	W/KLW 30-90	M6	2	30	30	-	-	6	M6	R 29
4034404	F-GG 40x80	M8	4	40	80	28	68	7	M8	-



[mm]

Code No.	Type	Connec- tion	See figure	A	B	C	D	E	M	R
4034402	F-GG 40x80	M10	4	40	80	28	68	7	M10	-
4034403	F-GG 40x80	M12	4	40	80	28	68	7	M12	-
4016401	W/KLW 40-30	M8	2	40	40	-	-	8	M8	R 37
4016402	W/KLW 40-45	M8	2	40	40	-	-	8	M8	R 37
4016403	W/KLW 40-60	M8	2	40	40	-	-	8	M8	R 37
4016404	W/KLW 40-90	M8	2	40	40	-	-	8	M8	R 37
4085401	F-G 50x50/F-GG 50x50/F-2G 50x50/F-3G 50x50	M8	1	50	50	38	38	7	M8	-
4085402	F-G 50x50/F-GG 50x50/F-2G 50x50/F-3G 50x50	M10	1	50	50	38	38	7	M10	-
4224402	F-G 60x60/F-GG 60x60/F-2G 60x60/F-3G 60x60	M8	1	60	60	43/48	43/48	6.5	M8	-
4224403	F-G 60x60/F-GG 60x60/F-2G 60x60/F-3G 60x60	M10	1	60	60	43/48	43/48	6.5	M10	-
4044404	F-G 80x80/F-GG 80x80/F-2G 80x80/F-3G 80x80	M10	1	80	80	68	68	8	M10	-
4044405	F-G 80x80/F-GG 80x80/F-2G 80x80/F-3G 80x80	M12	1	80	80	68	68	8	M12	-
4044402	F-G 80x80/F-GG 80x80/F-2G 80x80/F-3G 80x80	M16	1	80	80	68	68	8	M16	-
4044403	F-G 80x80/F-GG 80x80/F-2G 80x80/F-3G 80x80	M20	1	80	80	68	68	8	M20	-
4054402	8x40	M16	3	97	-	45	-	8	M16	-
4054403	8x40	M20	3	97	-	45	-	8	M20	-

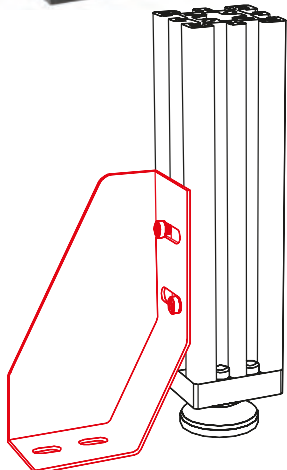
## Functional profiles

# Feet, castors and accessories

### Order instruction:

- Purchase only in lot sizes and a multiple of that see product table below

### Foundation bracket –sheet steel–



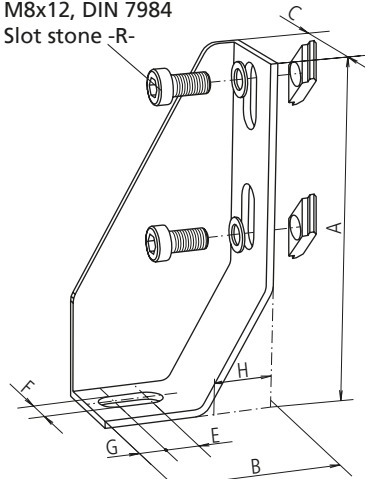
- For fixing frames, work tables and machines
- Foundation bracket can be retrospectively fixed to the profile with slot stone -R- see page 256

### Material:

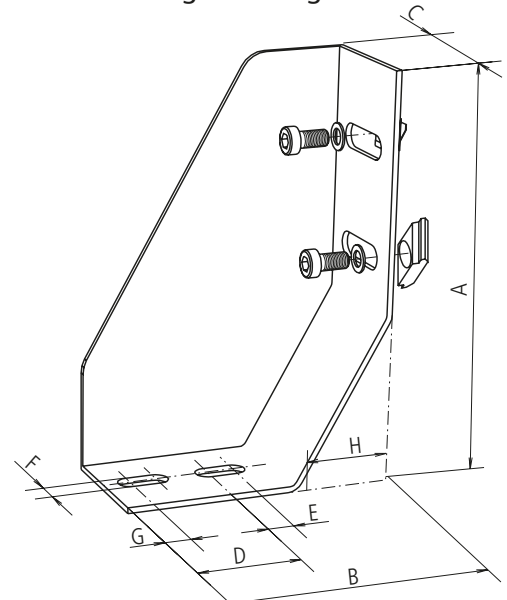
Sheet steel St 37, 3 mm thick, black textured paint.

**Includes:** Complete set including fastenings

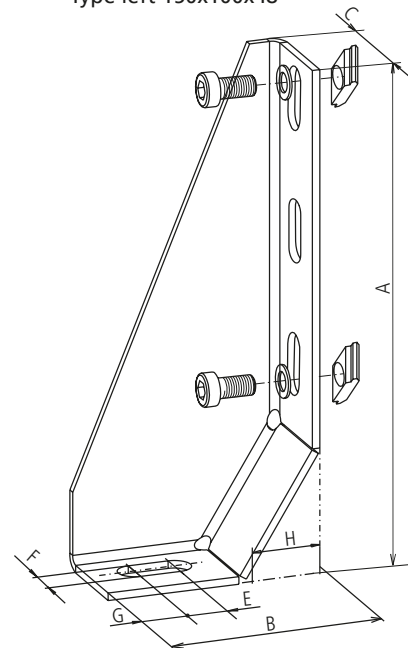
Socket head cap screw  
M8x12, DIN 7984  
Slot stone -R-



Type left 100x50x28



Type left 150x100x48



Type left 200x85x38

[mm]

Code No.	Type	A	B	C	D	E	F	G	H
4001300	left 100x50x28	100	50	28	–	10	9	8	18
4001301	right 100x50x28	100	50	28	–	10	9	8	18
4021300	left 150x100x48	150	100	48	40	10	9	10	32
4021301	right 150x100x48	150	100	48	40	10	9	10	32
4011306	left 200x85x38	200	85	38	–	19	9	16	30
4011305	right 200x85x38	200	85	38	–	19	9	16	30
Code No.	Type	lot sizes							
4016611	High performance anchor M8x110	4, 8, 12... pcs							



**Order instruction:**

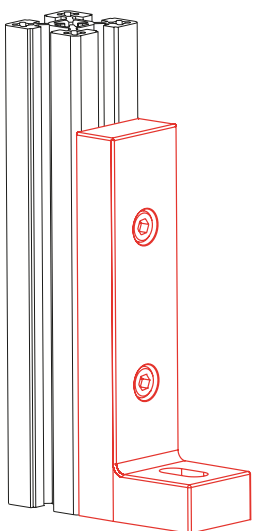
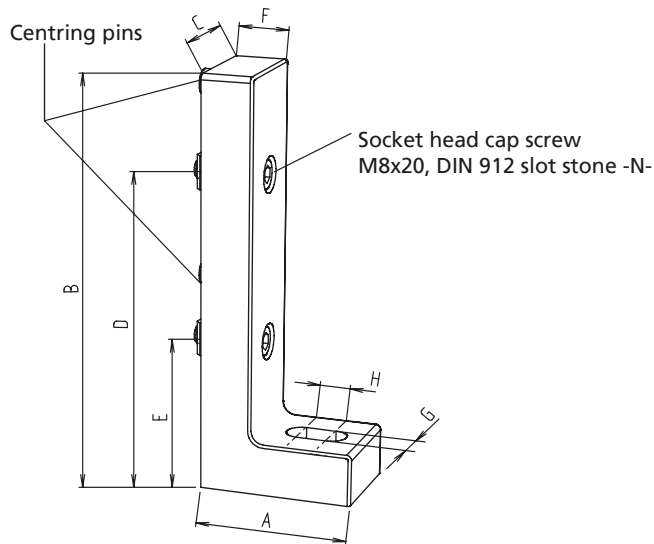
- Purchase only in lot sizes and a multiple of that see product table below

**Foundation bracket  
–aluminium–**

- For fixing frames, work tables and machines
- Angle bracket is fixed to the profile with slot stones -N-. See page 254

**Material:**  
Black powder-coated gravity die-cast aluminium

**Includes:** Complete set including fastenings



Code No.	Type	A	B	C	D	E	F	G	H
4011302	40 slot geometry	60	160	40	120	55	20	11	12

Code No.	Type	lot sizes
4016612	Floor fixing M8x115	4, 8, 12... pcs

## Functional profiles

# Feet, castors and accessories

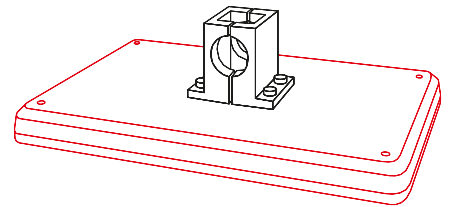
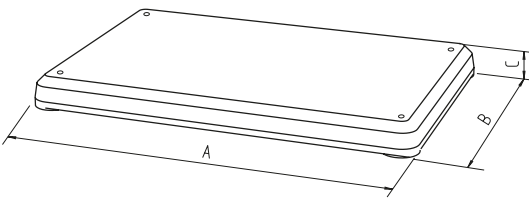
### Order instruction:

- Purchase only in lot sizes and a multiple of that see product table below



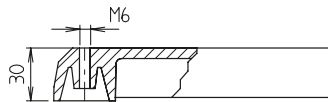
- Optionally available with hole, rubber foot, foot or steering roller
- Optional filling (steel plate) available to raise the overturning moment

**Material:**  
Vibration finished gravity die-cast aluminium  
(powder-coating available on request)

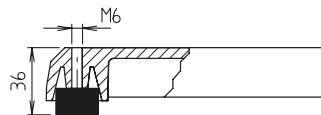


Code No.	Type	A	B	C
230 000 100 20	FP	375	250	30

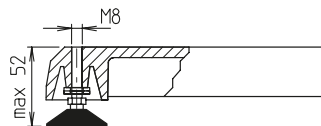
1= Joint hole



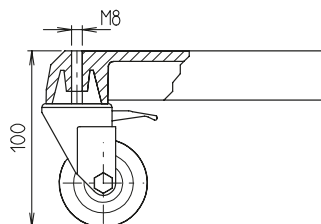
2= Rubber foot



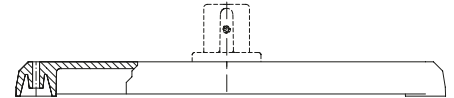
3= Foot



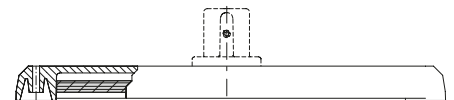
4= Steering roller with brake



\_ = Without filling,  
overturning moment 3 Nm



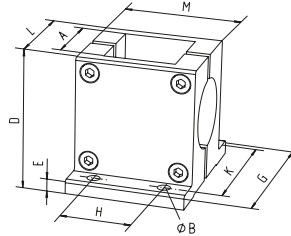
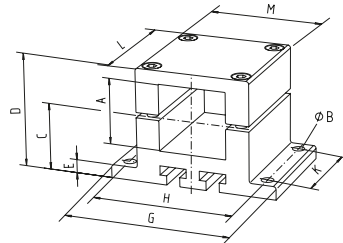
Y= Cavity with steel plate (m= 4.6 kg),  
Overturning moment 6 Nm



### Clamp

**Material:** Aluminium, stainless steel fixing  
For further clamping elements, please refer to the catalogue "Connecting Technology"


**FKV**

**Z**


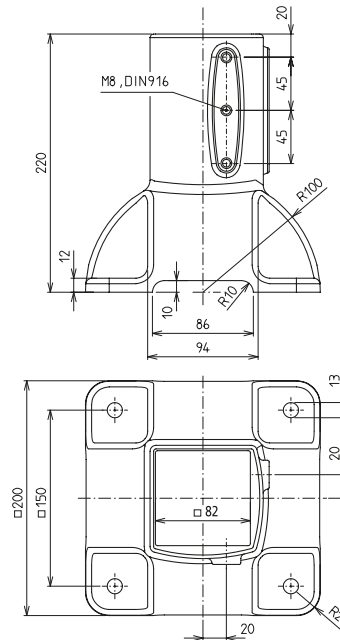
[mm]

Code No.	Type	A	Ø B	C	D	E	G	H	K	L	M
52300005030	FKV 30	30.2	7	30	51	6	84	70	40	56	56
52400005030	FKV 40	40.3	7	40	68	8	97	83	54	68	68
52500005030	FKV 50	50.4	9	50	85	10	125	105	65	85	85
52600005030	FKV 60	60.3	9	62.5	111	12	145	120	80	105	105
52800005030	FKV 80	80.4	11	80	136	16	170	148	80	126	126
53300005030	FV 30	30.2	7	-	58	6	70	28	56	42	56
53400005030	FV 40	40.3	7	-	74	8	85	40	70	56	68
53500005030	FV 50	50.4	9	-	92	10	110	50	90	70	84
53600005030	FV 60	60.4	9	-	112.5	12	137	80	120	97	105
53800005030	FV 80	80.4	11	-	142	16	156	80	135	112	126

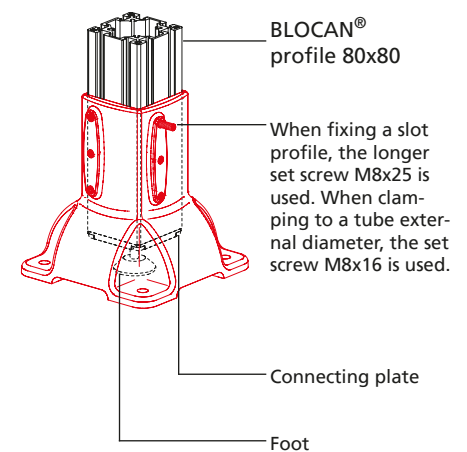
### Order instruction:

- Purchase only in lot sizes and a multiple of that see product table below

### Base bracket BAK-80



**Material:** Silver powder-coated gravity die-cast aluminium, stainless steel fixing



Code No.	Type	lot sizes	Version
4040501	Base bracket BAK-80	-	with set screw M8x25 DIN916-A
4016302	Levelling foot M10	-	Length 93 mm, plate Ø 50 mm
4019302	Levelling foot M10, corrosion-resistant	-	Length 93 mm, plate Ø 50 mm
4044404	Connecting plate for levelling foot	-	for BLOCAN profile S/F-80

Code No.	Type	lot sizes
4016611	High performance anchor M8x110	4, 8, 12... pcs
4016605	Set screws M8x16-A2 DIN EN ISO 4029	4, 8, 12... pcs

## Functional profiles

# Feet, castors and accessories

### Base clamp FVV



- Base clamp to take size 40 BLO-CAN® profiles or size 40 square tubes.
- Set screws can be used to compensate for unevenness. Supporting shims, placed under the foot, prevent the set screws from digging into the floor.

**Material:** ground finished die-cast aluminium, zinc plated fixing

### Supporting/Levelling shims

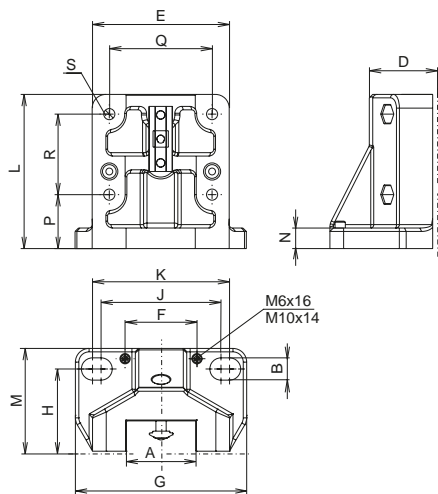


- The levelling shims give the foot clamp a full contact surface on uneven ground.

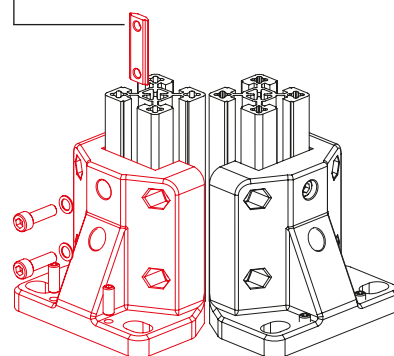
**Material:** aluminium

Code No.	Type	Includes
40143011	Levelling shims for FVV 40	4 1-mm shims, 1 0.5-mm shim

### FVV-NH



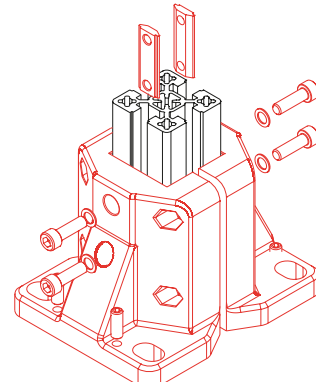
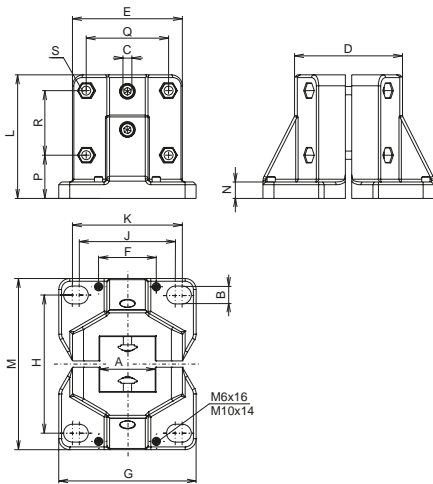
Clamping using slot stone -L-



Code No.	Type	A	C	D	E	F	G	H	J	K	L	M	N	P	Q	R	S	Weight
4014310	FVV-NH 40	40.4	12.5	39.5	80	42	100	50	70	80	90	62.5	12	31.5	60	47	Ø6.5	399 g

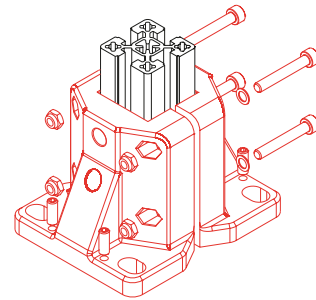
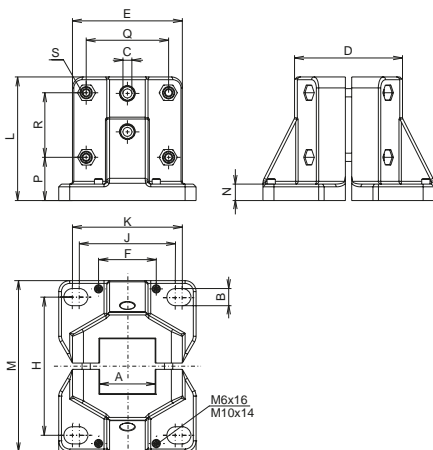


### FVV-N



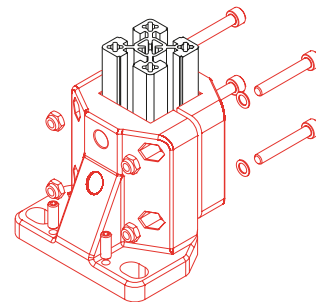
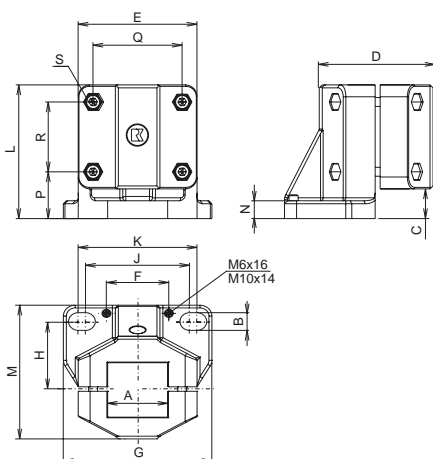
Code No.	Type	A	B	C	D	E	F	G	H	J	K	L	M	N	P	Q	R	S	Weight
4014311	FVV-N 40	40.4	12.5	6.5	79	80	42	100	100	70	80	90	125	12	31.5	60	47	M6x45	797 g

### FVV-S



Code No.	Type	A	B	C	D	E	F	G	H	J	K	L	M	N	P	Q	R	S	Weight
4014312	FVV-S 40	40.4	12.5	6.5	79	80	42	100	100	70	80	90	125	12	31.5	60	47	M6x45	805 g

### FVV-D



Code No.	Type	A	B	C	D	E	F	G	H	J	K	L	M	N	P	Q	R	S	Weight
4014313	FVV-D 40	40.4	12.5	20	75	80	42	100	50	70	80	90	98	12	31.5	60	47	M6x45	633 g

## Functional profiles

# Feet, castors and accessories

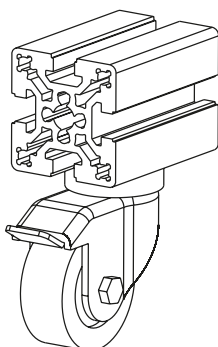
### Lockable steering roller

- The steering roller mobilises frames, tables and superstructures. It is available with a 1-hole fixing or with fixing plate. In addition, each version has a combined roller and swivel locking device. Both the roller and the swivel head have ball bearings, which ensures that they run smoothly even under load. The rollers are not electrically conductive.

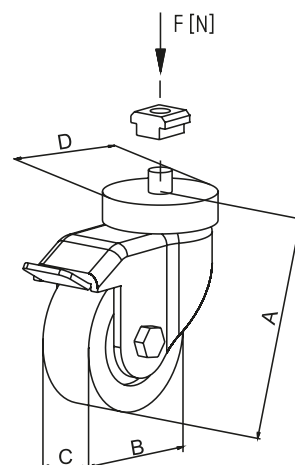
**Material:** Galvanised steel

**Includes:** Depending on the version, with connecting plate or slot stone.

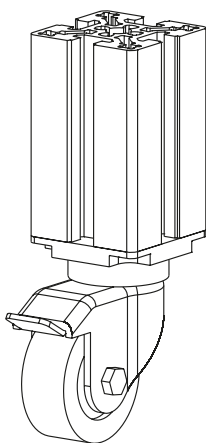
With slot stone



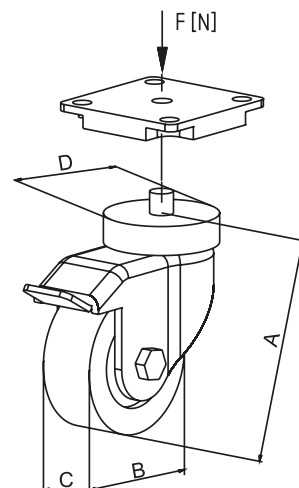
(1)



With connecting plate



(2)



[mm]

Code No.	Type	Suitable for:	A	B	C	D	Resist. F [N]
4016646	With slot stone	30 slot geometry (1)	70	50	20	39	400
4016648	With slot stone	40 slot geometry (1)	70	50	20	39	400
4086644	F-G 50x50/F-GG 50x50/F-2G 50x50/F-3G 50x50	F-profiles 50 (2)	70	50	20	39	400
4226644	F-G 60x60/F-GG 60x60/F-2G 60x60/F-3G 60x60	F-profiles 60-L (2)	100	75	25	39	600
4036644	F-GG 40x80	Profiles 40x80 (2)	70	50	20	39	400
4046644	F-G 80x80/F-GG 80x80/F-2G 80x80	Profiles 80 (2)	100	75	25	39	600
4046648	F-G 80x80/F-GG 80x80/F-2G 80x80	Profiles 80 (2)	133	100	32	53	900
4056644	8x40	Profiles 8x40 (2)	100	75	25	39	600



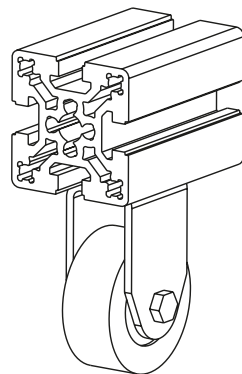
## Fixed castor

- The fixed castor is the ideal complement to the steering roller. Combining 2 fixed castors with steering rollers makes it easier to manoeuvre the superstructure. Fixed castors should be mounted on the front end. The rollers are not electrically conductive.

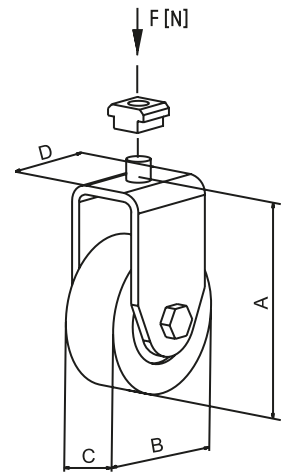
**Material:** Galvanised steel

**Includes:** Depending on the version, with connecting plate or slot stone.

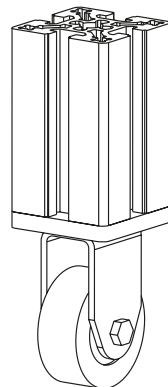
With slot stone



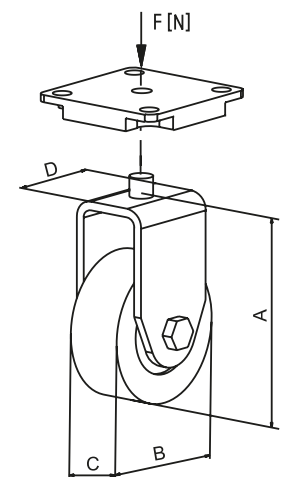
1



With connecting plate



2



[mm]

Code No.	Type	Suitable for:	A	B	C	D	Resist. F [N]
4006647	With slot stone	30 slot geometry (1)	70	50	20	34	400
4016647	With slot stone	40 slot geometry (1)	70	50	20	34	400
4086645	F-G 50x50/F-GG 50x50/F-2G 50x50/F-3G 50x50	F-profiles 50 (2)	70	50	20	34	400
4226645	F-G 60x60/F-GG 60x60/F-2G 60x60/F-3G 60x60	F-profiles 60-L (2)	100	75	25	34	600
4036645	F-GG 40x80	Profiles 40x80 (2)	70	50	20	34	400
4046645	F-G 80x80/F-GG 80x80/F-2G 80x80	Profiles 80 (2)	100	75	25	34	600
4046649	F-G 80x80/F-GG 80x80/F-2G 80x80	Profiles 80 (2)	133	100	32	53	900
4056645	8x40	Profiles 8x40 (2)	100	75	25	34	600

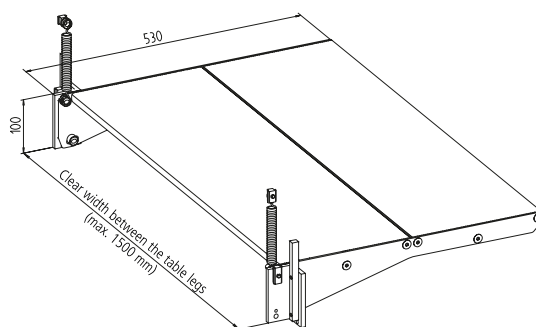
## Functional profiles

# Feet, castors and accessories

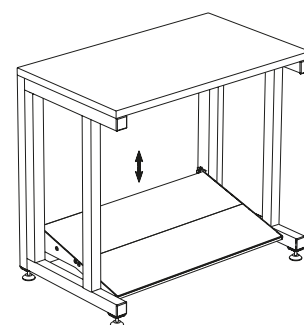
### Foot rest FSH

- Individual, infinitely variable adjustment to different persons
- Height adjustment without time-consuming assembling by means of spring adjustment
- By slightly lifting the tread the height of the system can be quickly adjusted and locks automatically when released

**Material:** Clear anodised extruded aluminium profile tread, polyamide plastic sliding pieces, galvanised steel parts



Application example



Code No.	Suitable for profile
4010642 _ _ _ _	All as of 40 slot geometry (except F-50 and special profiles)

Clear width [mm]



Functional profiles

# Fittings

## Versions



Door lock -KL type 2-



Butt hinge -aluminium-



Butt hinge -plastic-



Lift off hinge -aluminium-



Lift off hinge -plastic-



piano hinge



Lever cylinder lock



Ball catch



Magnetic lock



Magnetic lock universal



Ball catch universal



Slam Latch



Door stopper



Handle



Handle profile



Handle/Handrail



Safety switch  
AZ 15zvr



Safety switch  
AZM



## Table of contents

<b>Fittings</b>	Door lock -KL-.....	p. 310
	Butt hinge -aluminium- .....	p. 312
	Butt hinge -plastic-.....	p. 313
	Lift off hinge -aluminium- .....	p. 314
	Lift off hinge -plastic- .....	p. 311
	Piano hinge.....	p. 316
	Lever cylinder lock.....	p. 318
	Ball catch.....	p. 318
	Magnetic lock.....	p. 319
	Magnetic lock universal .....	p. 320
	Ball catch universal.....	p. 321
	Slam Latch.....	p. 322
	Door stopper .....	p. 323
	Handle.....	p. 323
	Handle profile .....	p. 324
	Handle/Handrail .....	p. 324
<b>Electrical accessories</b>	Safety switch AZ 15zvr .....	p. 326
	Safety switch AZM.....	p. 325

## Functional profiles

# Fittings

### Door lock -KL-

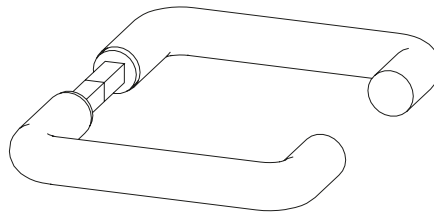
- Installation between two clamping profiles without additional profile machining
- Version available with door handle or panic lock

**Material:**  
Gravity die-cast aluminium,  
galvanised steel

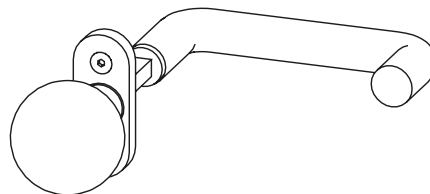
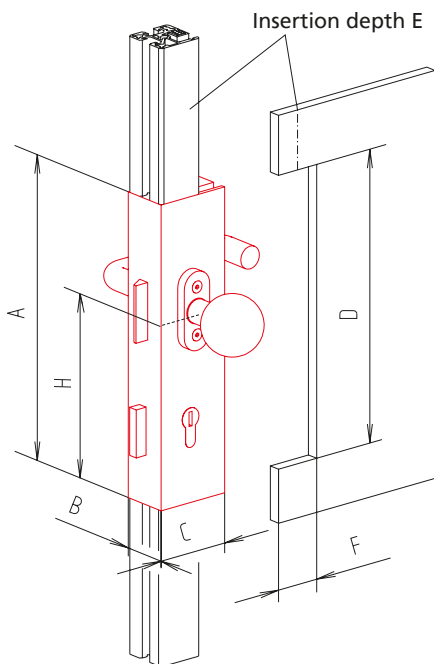
**Includes:**  
complete door lock with  
cylinder lock, handle set  
and fastenings



Sliding door version



Handle set  
with hinged door  
and sliding door



Handle set with  
hinged door with panic lock  
(one fixed knob,  
one door handle)

[mm]

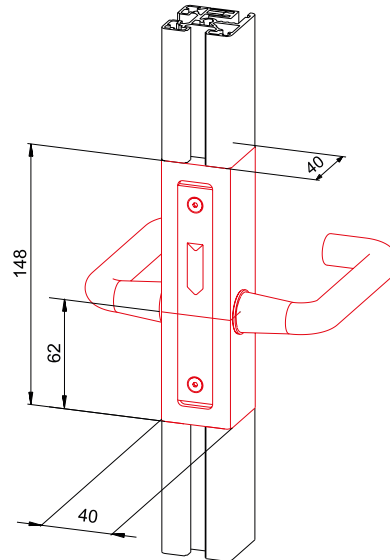
Code No.	Version	A	B	C	D	E	F	H
4210630	For hinged door KL 40, right	255	40	65	242	15	32	161.5
4210631	For hinged door KL 40, left	255	40	65	242	15	32	161.5
4210632	For hinged door KL 40 with panic lock, right	255	40	65	242	15	32	161.5
4210633	For hinged door KL 40 with panic lock, left	255	40	65	242	15	32	161.5
4210636	For sliding door KL 40, right	255	40	65	242	15	32	132
4210637	For sliding door KL 40, left	255	40	65	242	15	32	132



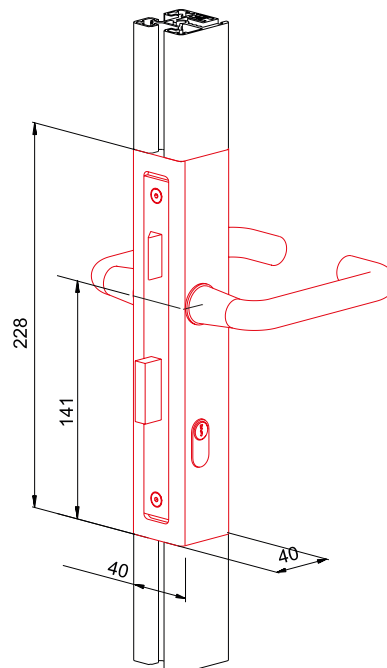
### Door lock Typ 2 - KL 40

- Installation between clamping profiles no additional required machining

**Material:** aluminium clear anodized, galvanised steel  
**Includes:** complete door lock with housing, handle set and fastenings



Code No.	Type
4215632	Door lock Typ 2 - KL 40 right without cylinder lock
4215633	Door lock Typ 2 - KL 40 left without cylinder lock



Code No.	Type
4215630	Door lock Type 2 - KL 40 right with cylinder lock
4215631	Door lock Typ 2 - KL 40 left with cylinder lock

## Functional profiles

# Fittings

## Butt hinge

- Can be installed on all struts and panels. The exact position of the hinge is determined by fixing pins, which can be replaced depending on the purpose.

**Material:**  
Black anodised aluminium.  
Galvanised steel.  
Complete with fixing set (for profile assembly).



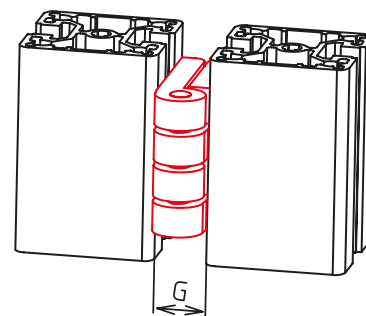
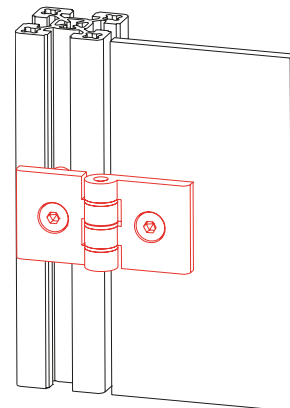
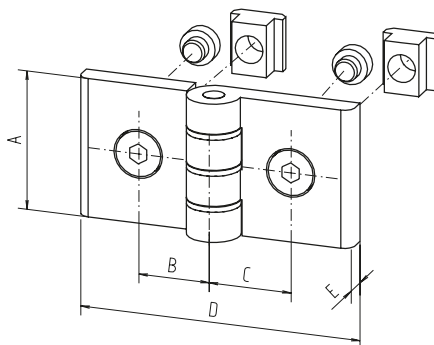
Version 1



Version 2



Version 3



[mm]

Code No.	Type	Version	A	B	C	D	E	G
<b>Butt hinge 2-part</b>								
4005525	30x30	1	50	17	17	56	7	13
4005526	30x30 to 40x40	1	50	17	22	56	7	13
4015525	40x40	2	40	22	22	79	7	15
4045526	40x40 to 60x60	2	40	22	32	79	7	15
4085525	F-50x50	2	40	27	27	79	7	15
4025525	60x60 (except F-60x60)	2	40	32	32	79	7	15
<b>Butt hinge 3-part</b>								
4015517	40	3	45	22	22	123	7	-

## Hinge assembly variants:







**Order instruction:**

- Purchase only in lot sizes and a multiple of that see product table below

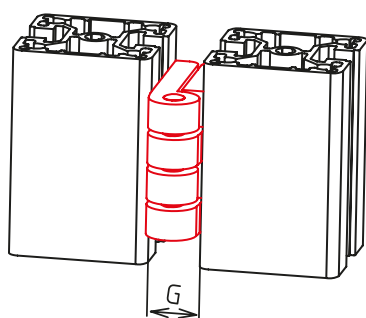
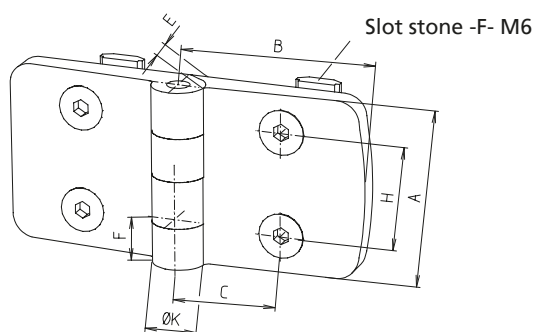
**Butt hinge**



- For installing on all struts and panels

**Material:**  
Black plastic, galvanised steel

**Fixing set:**  
The fixing set is not included in the Order No. and must be ordered separately.



[mm]										
Code No.	Post profile	Door profile	A	B	C	E	F	G	H	K
4008510	30	30	48	29,5	17,5	9	12	18	28	14
4008514	40	40	48	38,5	22,5	9	12	18	28	14
4008511	40	30	48	38,5/29,5	22,5/17,5	9	12	18	28	14
4008517	50	50	48	48,5	27,5	9	12	18	28	14
4008512	50	30	48	48,5/29,5	27,5/17,5	9	12	18	28	14
4008515	50	40	48	48,5/38,5	27,5/22,5	9	12	18	28	14

**Fixing set**

Code No. for one hinge half	lot sizes	Slot geometry
4006520	10, 20, 30... pcs	30 (slot stone -F-)
4016520	10, 20, 30... pcs	40 (slot stone -F-)

## Functional profiles

# Fittings

## Lift off hinge



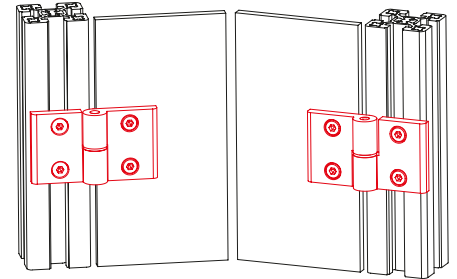
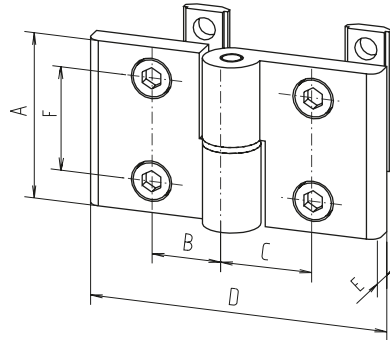
Version 1



Version 2

- Space-saving installation between two profiles
- Flaps or doors can be dismantled simply by lifting them off

**Material:**  
Black anodised aluminium,  
galvanised steel.  
Complete with fixing set  
(for profile assembly)



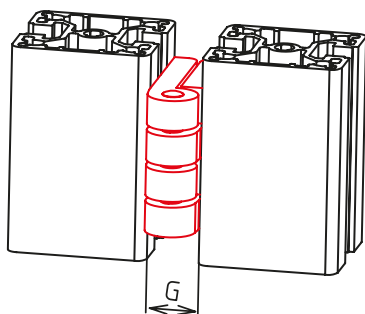
[mm]

Code No.	To slot geometry	Version	A	B	C	D	E	F	G
<b>Lift off hinge 2-part</b>									
4015520	40	1, left	45	22	22	79	7	28	15
4015521	40	1, right	45	22	22	79	7	28	15
4045521	40	1, left	45	22	32	79	7	28	15
4045522	40	1, right	45	22	32	79	7	28	15
<b>Lift off hinge 3-part</b>									
4015515	40	2	45	22	22	123	7	28	-

## Lift off hinge (narrow version)

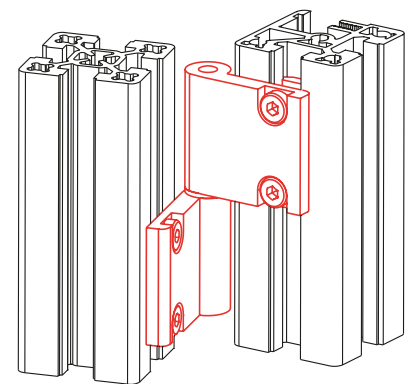
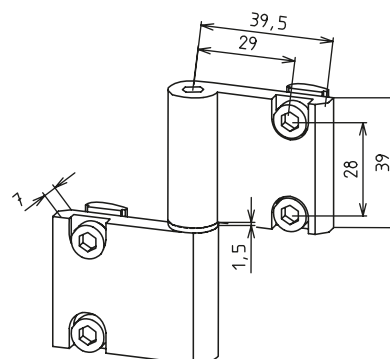


Right version



- Can be installed on all struts and panels.  
Flaps or doors can be dismantled simply by lifting them off.

**Material:**  
Black anodised aluminium,  
galvanised steel.  
Complete with fixing set  
(for profile assembly)



[mm]

Code No.	To slot geometry	Version	G
4015527	30	Left	7.5
4015526	30	Right	7.5
4015523	40	Left	7.5
4015522	40	Right	7.5

**Order instruction:**

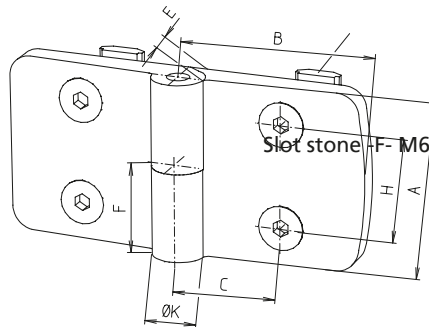
- Purchase only in lot sizes and a multiple of that see product table below

- Can be installed on all struts and panels.
- Flaps or doors can be dismounted simply by lifting them off.

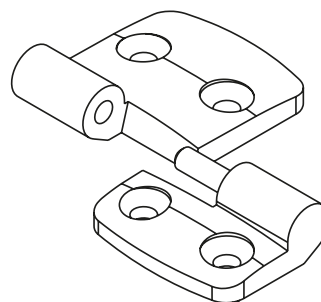
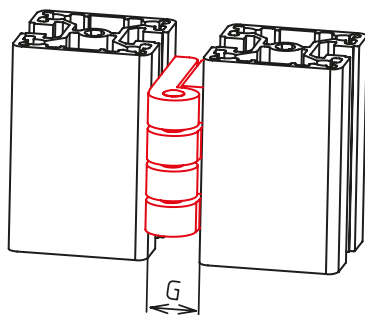
**Material:** Black plastic, galvanised steel parts.

**Fixing set:**

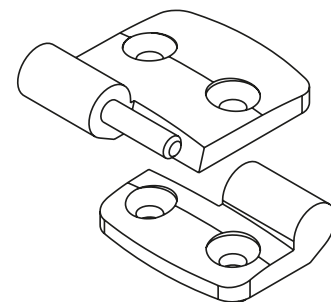
The fixing set is not included in the Order No. and must be ordered separately.

**Lift off hinge**


- Different sizes can be combined with each other. Example: Two lift off hinges L [ 30 | 50 ] can be assembled from one hinge L [ 50 | 50 ] and one hinge L [ 30 | 30 ]. See illustration below.



Variant 1



Variant 2

											[mm]
Version	Code No.	Post profile	Door profile	A	B	C	E	F	G	H	K
Right	4008530	30	30	48	29,5	17,5	9	24	18	28	14
	4008540	40	40	48	38,5	22,5	9	24	18	28	14
	4008550	50	50	48	48,5	27,5	9	24	18	28	14
Left	4008531	30	30	48	29,5	17,5	9	24	18	28	14
	4008541	40	40	48	38,5	22,5	9	24	18	28	14
	4008551	50	50	48	48,5	27,5	9	24	18	28	14

**Fixing set**

Code No. for one hinge half	lot sizes	Slot geometry
4006520	10, 20, 30... pcs	30 (slot stone -F-)
4016520	10, 20, 30... pcs	40 (slot stone -F-)

Functional profiles

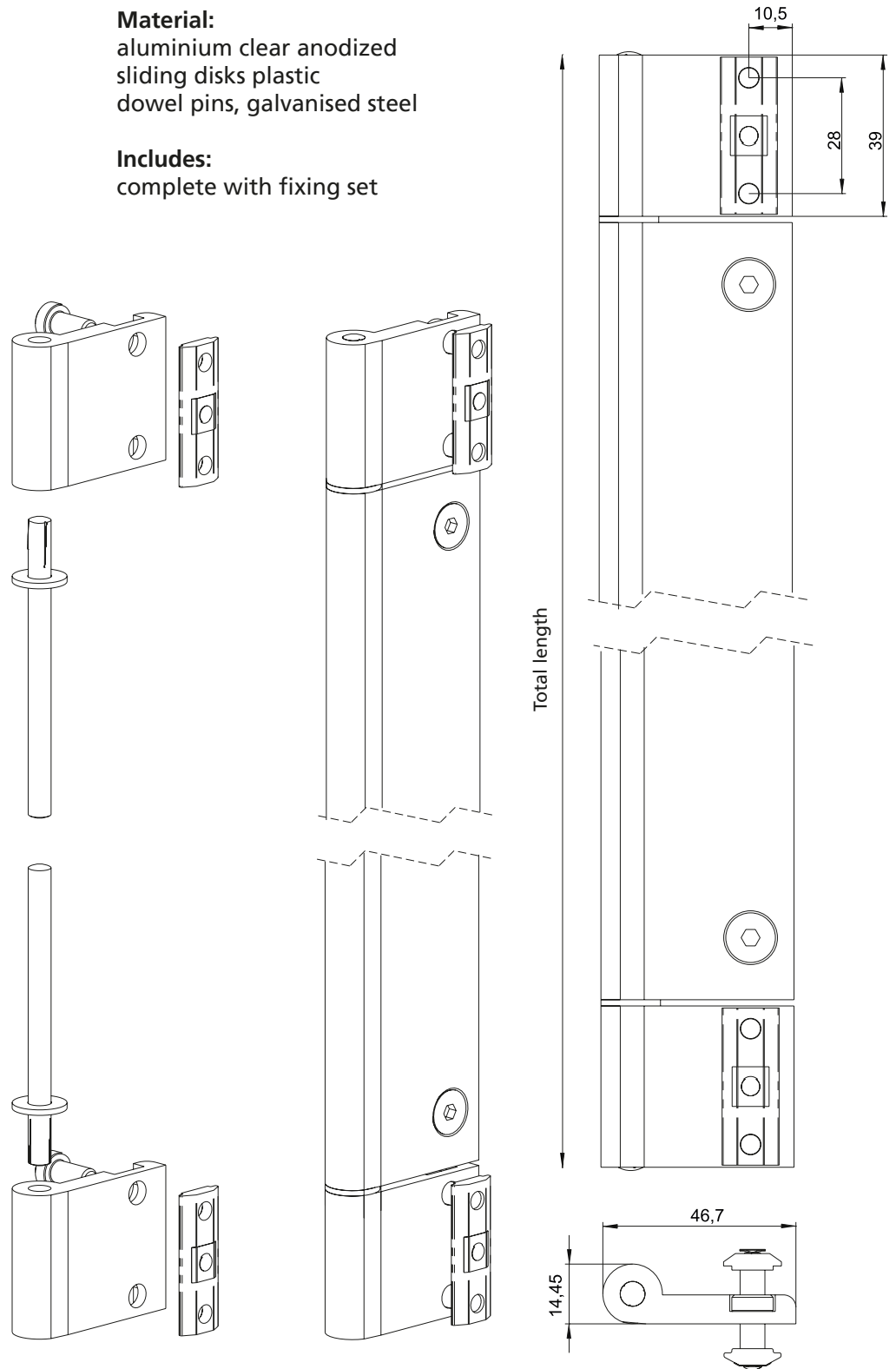
# Fittings

## Piano hinge

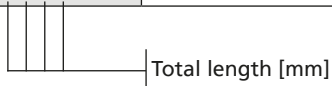
- Variable in length
- Taylor-made orderable

**Material:**  
aluminium clear anodized  
sliding disks plastic  
dowel pins, galvanised steel

**Includes:**  
complete with fixing set



Code No.	Type	length	Max. length	Slot geometry
4010627	Band hinge complete	200	2500	40





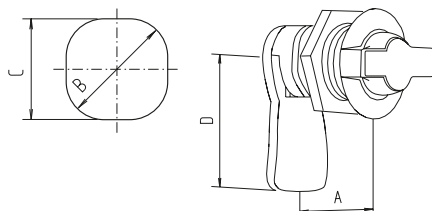
## Functional profiles

# Fittings

## Lever cylinder lock

- Complete with 2 keys.  
For locking lightweight doors and flaps

**Material:** Plastic, galvanised steel.



Code No.	Type	A	B	C	D
4016600	15	15	22.5	21	45
4026600	25	25	22.5	21	45

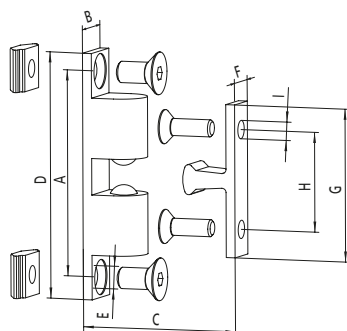
[mm]

## Ball catch

**Material:** Aluminium, brass  
**Fixing set:** Galvanised steel



Material:  
Brass



Door stop

Code No.	Type	A	B	C <sub>min</sub>	D	E	F	G	H	I
4010606	Without door stop	48.5	11.8	15.8	58	5.3	8.6	36	23.5	4.3
4000608	With door stop for fixing profile 30 to 30									
4010607	With door stop for fixing profile 30 to 40									
4010608	With door stop for fixing profile 40 to 40									
4000609	With door stop for fixing profile 50 to 30									
4010609	With door stop for fixing profile 50 to 40									

[mm]

## Magnetic lock

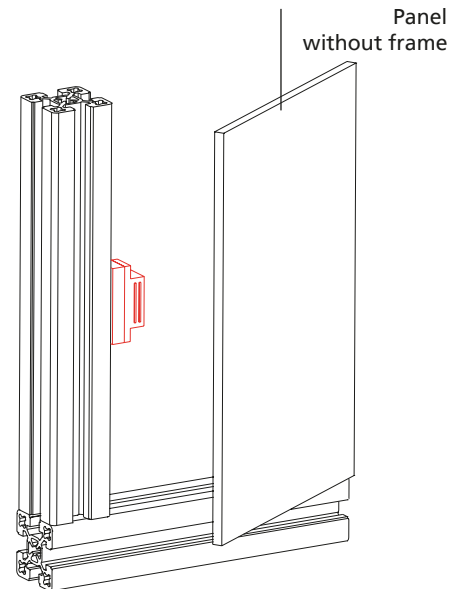
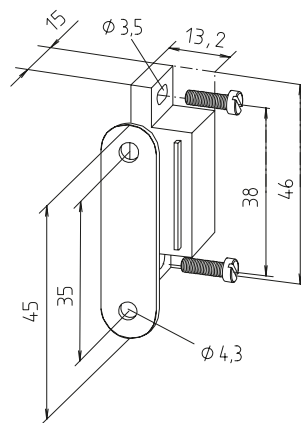
- Suitable from profile size 40
- Complete with fixing set

**Material:**  
Aluminium, plastic,  
galvanised steel

Magnetic lock with striker –  
Installed in panel  
without frame



Magnetic lock with striker –  
Installed in panel  
with frame



Code No.	Profile assembly	Installation	Sim. to fig.
4010605	All, except 30	Without frame	1
4010604	All, except 30	Profiles centr.	2
4000610	30 to 30	Profiles centr.	2
4010611	40 to 30	Profiles centr.	2
4010612	40 to 30	Profiles flush	3
4080603	50 to 30	Profiles flush	3
4080606	50 to 40	Profiles centr.	2
4080604	50 to 40	Profiles flush	3

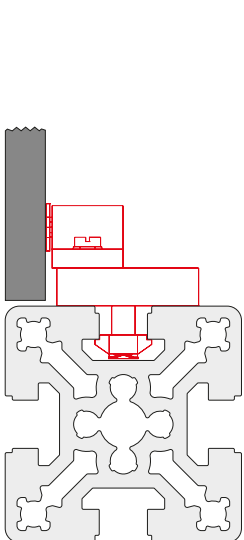


Fig. 1

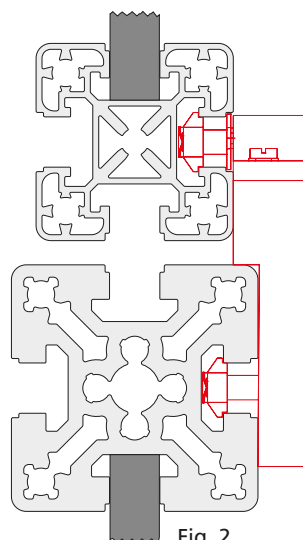


Fig. 2

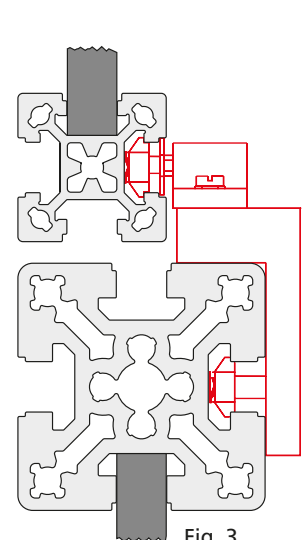


Fig. 3

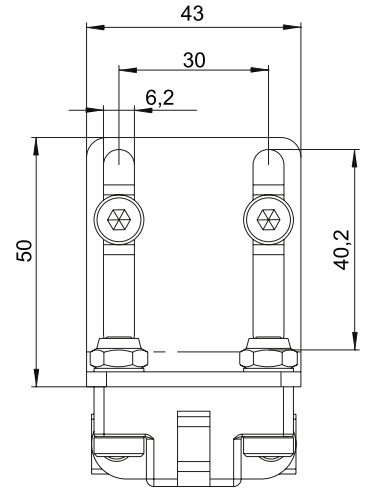
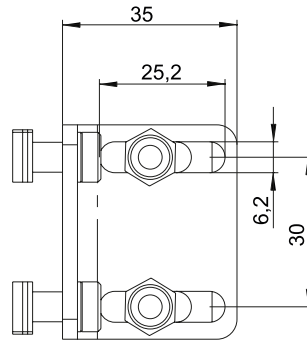
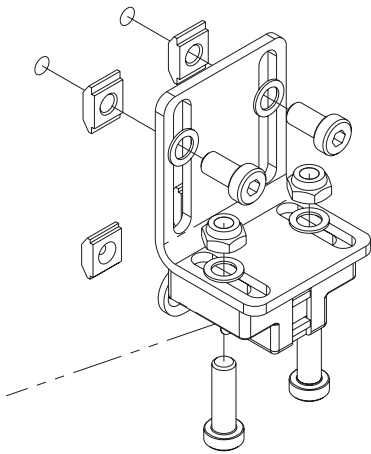
**Functional profiles**

# Fittings

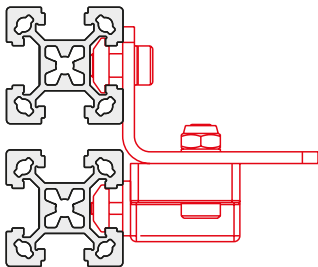
## Magnetic lock universal

- Suitable from profile size 30 for all assembly versions
- Holding force 10/20 N depends on mounting direction

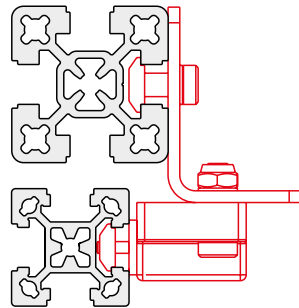
**Material:**  
polyamide glasfibre reinforced  
steel parts zincplated



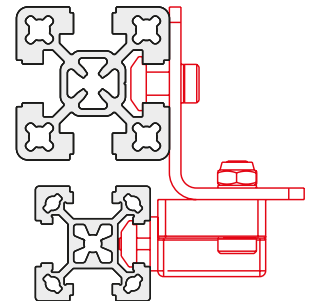
■ Assembly versions



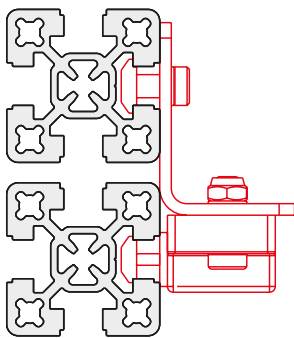
30 to 30 - Profile



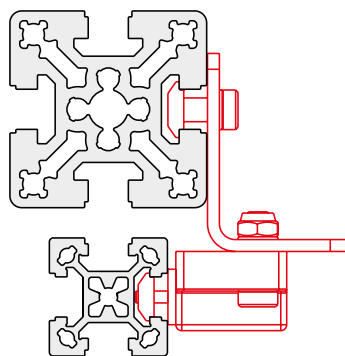
30 to 40 - Profile flush



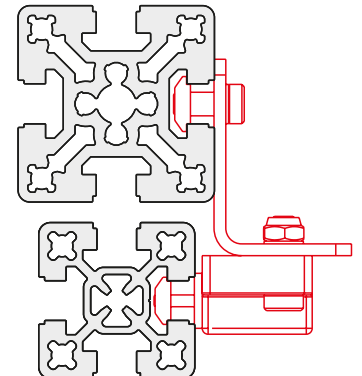
30 to 40 - Profile centred



40 to 40 - Profile



30 to 50 - Profile centred



40 to 50 - Profile centred

Code No.	Type	Slot geom.
4010625	Magnetic lock universal with fixing set	30/40
4010626	Magnetic lock universal without fixing set	—

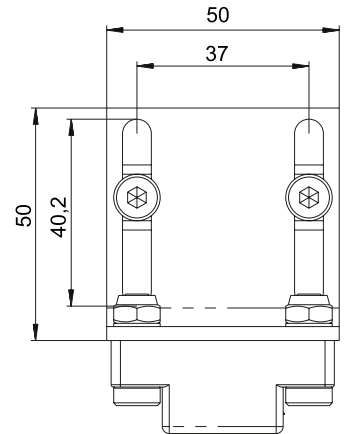
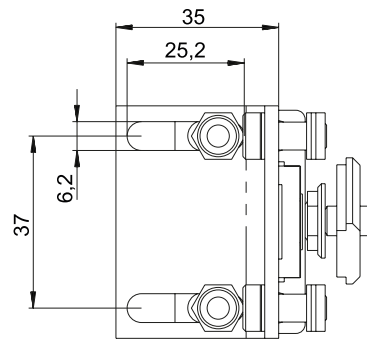
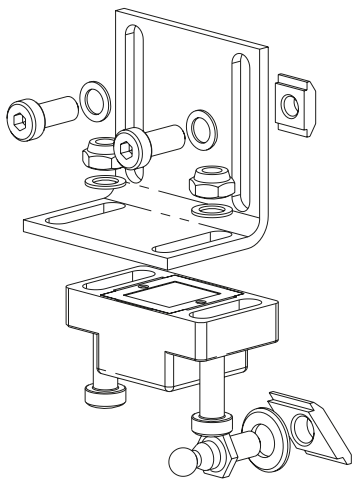




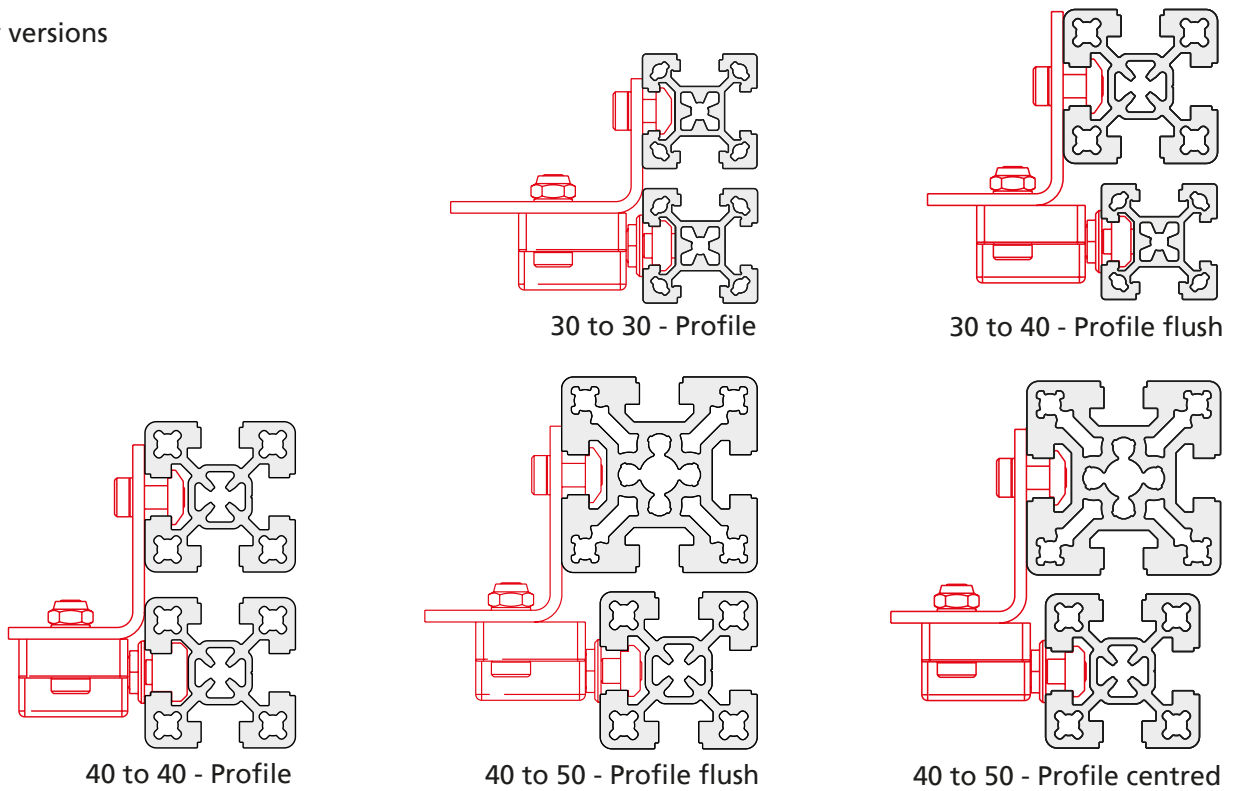
### Ball catch universal

- Suitable from profile size 30 for all assembly versions
- Holding force 50 N

**Material:**  
polyamide glasfibre reinforced  
steel parts zinclated



### ■ Assembly versions



Code No.	Type	Slot geom.
4010630	Ball catch universal with fixing set	30/40
4010631	Ball catch universal without fixing set	—

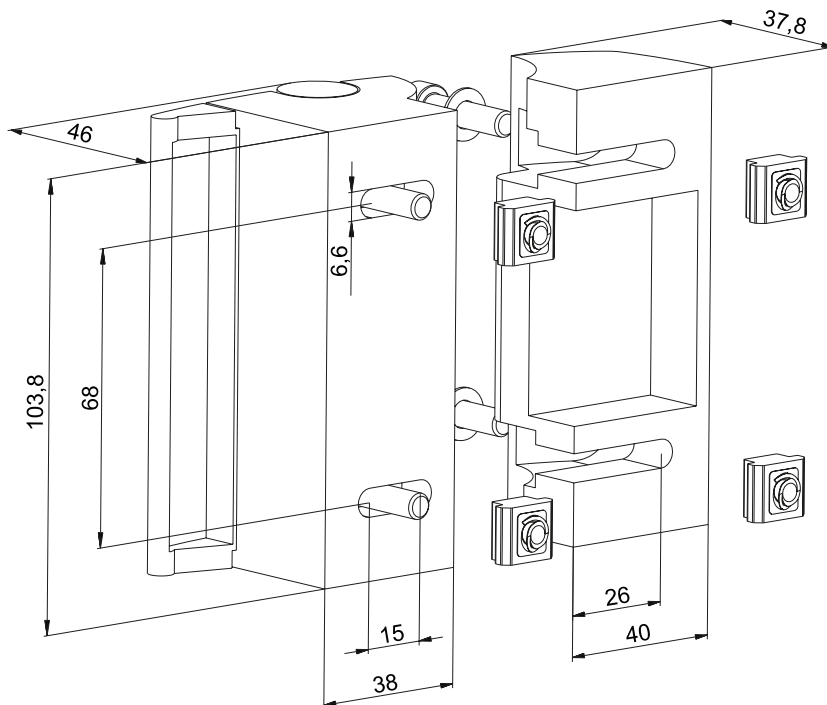
Functional profiles

# Fittings

## Slam Latch PRO



**Material:** die-cast aluminium  
black powder-coated  
**Includes:**  
complete with fixing set.



[mm]

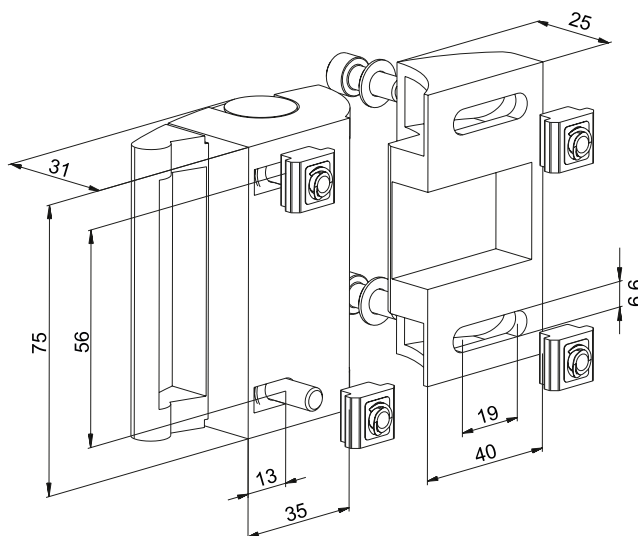
Code No.	Slot geometry
401A530	40

## Slam Latch Compact



**Material:** die-cast aluminium  
black powder-coated

**Includes:**  
complete with fixing set.



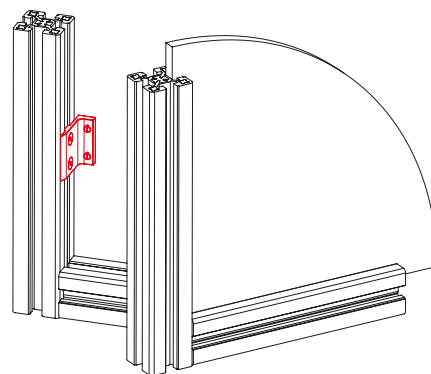
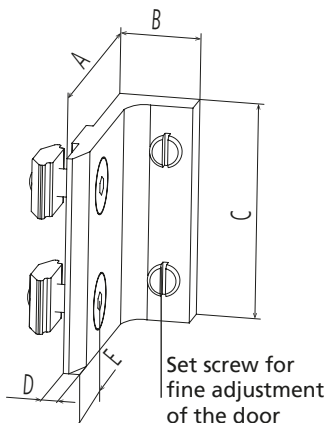
[mm]

Code No.	Slot geometry
401A531	40



### Door stopper

**Material:** Black plastic,  
galvanised steel  
**Complete with fixing set:**



[mm]

Code No.	Slot geometry	A	B	C	D	E
4008650	30	34	14.7	40	3	11
4018650	40	44	14.7	40	3	16

### Handle

**Material size 150 and 197:**  
PP plastic

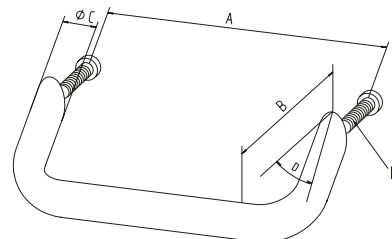
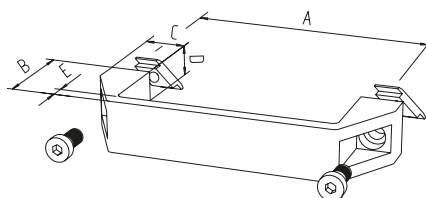
**Material size 152:**  
Black anodised aluminium  
**Complete with fixing set:**  
Aluminium



Size 150 and 197



Size 152



[mm]

Code No.	Size	Slot geometry	A	B	C	D	E
4005596	152	Drill	128	50	20	35°	M6x30
4015598	152	Drill	128	50	20	35°	M6x40
4008596	150	30	132	44	21	27	7
4015596	150	40	132	44	21	27	7
4015597	197	40	179	50	22	28	7

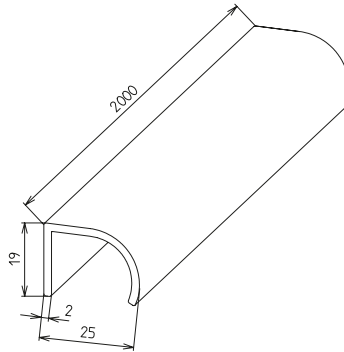
**Functional profiles**

**Fittings**

**Handle profile**

- The elegant handle profile is supplied as bar material and can be cut to length as required. The customer must drill the fixing holes.

**Material:** Aluminium

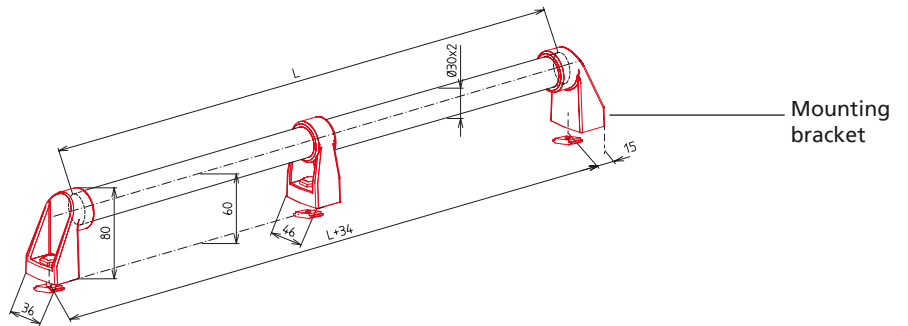


Code No.	Type
4015595	Handle profile, 2000 mm bar

**Handle/Handrail**

Retrospective fixation with slot stone R  
Anodised aluminium tube  
grip surface  
Cut to size or bar

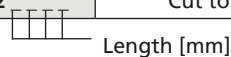
**Material:**  
Black plastic mounting brackets, galvanised fastenings. Aluminium tube



Central mounting bracket recommended as of L>1000 mm

Code No.	Slot geometry	Type
4018501	40	2x mounting brackets, L<1000 mm
4018502	40	2x mounting brackets, 1x central mounting bracket, L>1000 mm

Code No.	Type
823020 2 0500	Aluminium tube, Ø30x2 L=500 mm
823020 2 1000	Aluminium tube, Ø30x2 L=1000 mm
823020 2 2000	Aluminium tube, Ø30x2 L=2000 mm
823020 2	Cut to length aluminium tube Ø30x2, Lmax= 6000 mm



### Safety switch AZM 161

- For safely switching off circuits. Suitable for hinged, sliding and lifting doors.

#### Technical data:

Self-extinguishing fibreglass-reinforced thermoplastic.

**Degree of protection:** IP67 to IEC 529/EN 60529/DIN VDE 0470-1

**Contact type:** One-pin, double-breaking, positively driven NC to VDE 001, additional contacts for signal purposes

**Pivot radius:**  $R_{\min}$  900 mm

**Constant current:** 10 A Rated operating current Iu AC 11h 2 A (230 V)

**Short circuit resistance:** 6 A (slow) as positively driven NC position switch

**Contact type:** One-pin, double-breaking, positively driven NC to VDE 001, additional contacts for signal purposes

**Pivot radius:**  $R_{\min}$  900 mm

**Constant current:** 10 A Rated operating current Iu AC 11h 2 A (230 V)

**Short circuit resistance:** 6 A (slow) as positively driven NC position switch

**Positive opening travel/force:** 8.8 mm / 10 N

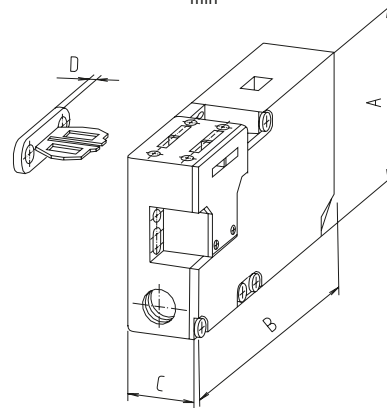
**Locking force  $F_{\max}$ :** 2000 N

**Mech. lifetime:**

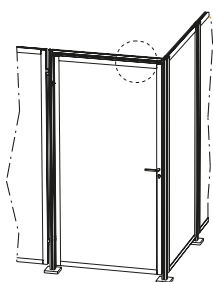
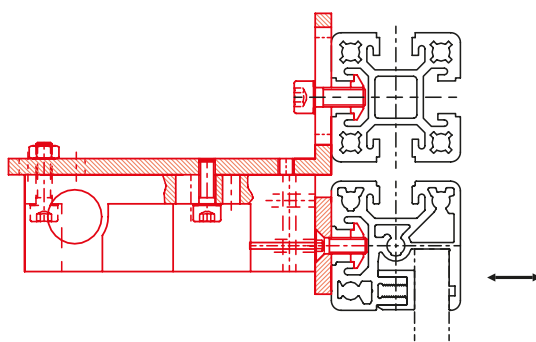
>10x10<sup>6</sup> switching cycles

**Operating temperature:**

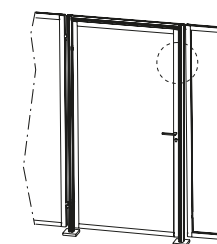
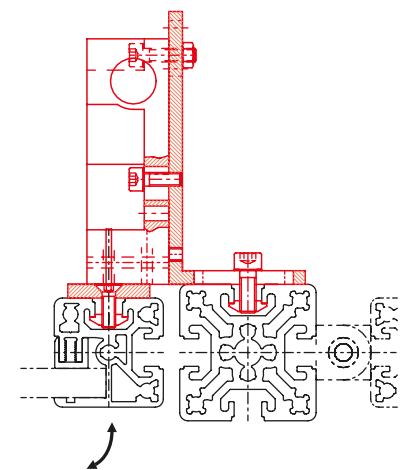
-25 to +60°C.



Code No.	Type	A	B	C	D
4010650	Switch AZM 161, for sliding door/lifting door/hinged door	90	130	30	5



**Fig. 1: Hinged door**  
Fixing AZM 161 to the top strut (40-40)



**Fig. 2: Hinged door**  
Fixing AZM 161 to the side strut (40-50)

**Functional profiles**

# Fittings

## Safety switch AZ 15zvr

- For safely switching off circuits
- Suitable for hinged, flap, sliding and lifting doors

**Technical data:** Self-extinguishing, fibreglass reinforced thermoplastic

**Actuator key:**

Stainless spring steel

**Degree of protection:**

IP67 to IEC 529/EN 60529/DIN VDE 0470-1

**Contact material:** Fine silver

**Contact type:** One-pin, double-breaking, positively driven NC to VDE 001

**Pivot radius:**  $R_{min} 450 \text{ mm}$

**Rated isolation voltage:** VI 500 V approx. 25-60 Hz.

**Constant current:** 10 A  
Rated operating current Iu AC 11h  
4 A (230V), 2.5 A (380 V), 1A (500 W)

**Short circuit resistance:** 10 A (slow) 16 A (fast).

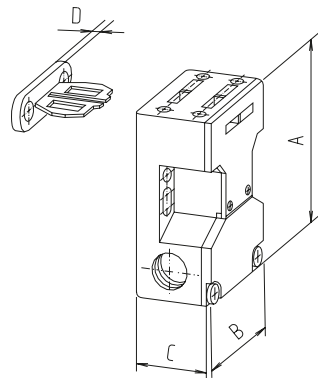
Contact gap  
2 x 3 mm.

**Positive opening travel/force:** 8 mm / approx. 30 N

**Mech. lifetime:**

$10 \times 10^6$  switching cycles

**Operating temperature:** -30 to +80°C.

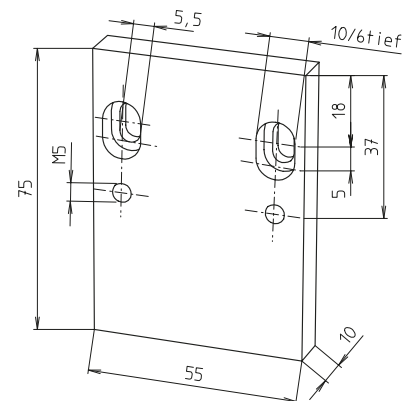
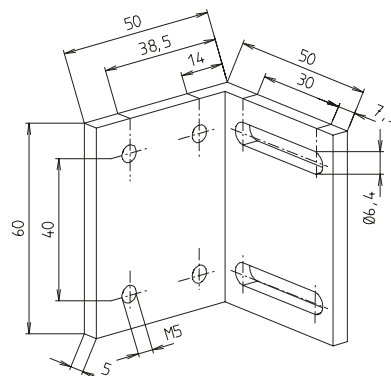
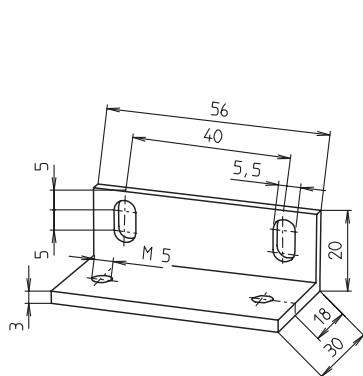


Code No.	Type	A	B	C	D
4010610	AZ 15 zvr for sliding door / lifting door	72	52	30	5
4010613	AZ 15 zvr for sliding door	72	52	30	5
4010614	AZ 15 zvr for flap door	72	52	30	5
4015610	Fixing set for sliding door, hinged door	Fig. 1, 2, 3		40 slot geometry	
4015602	Fixing set for lifting door	Fig. 4			

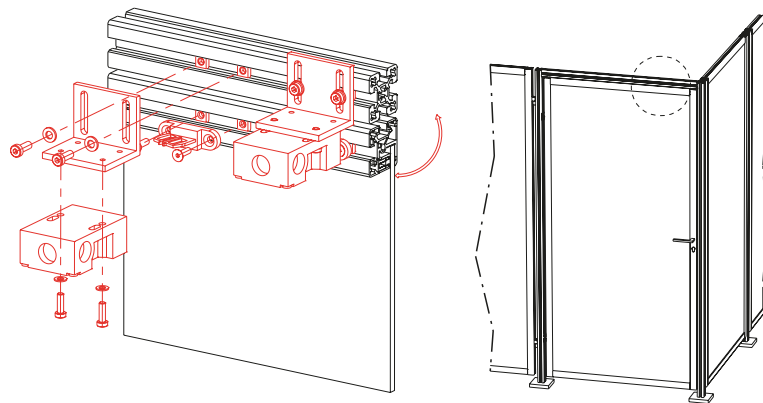
Further fixing sets available on request

Fixing set for sliding and hinged door. Vibration finished aluminium. See fig. 1-3 on the next page.

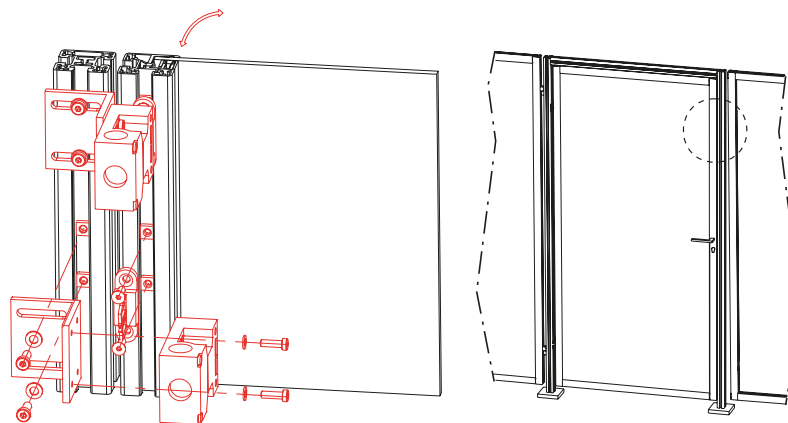
Fixing set for lifting door See fig. 4 on the next page.



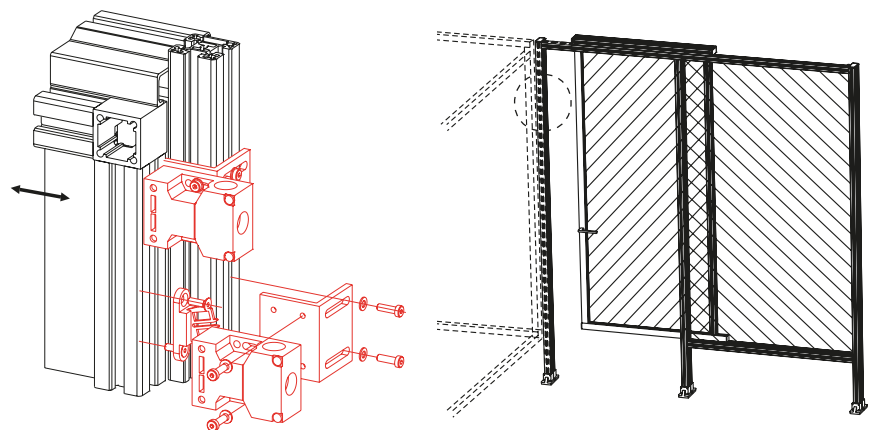
**Fig. 1: Hinged door**  
Fixing AZ 15 zvr to the  
top strut (40-40)



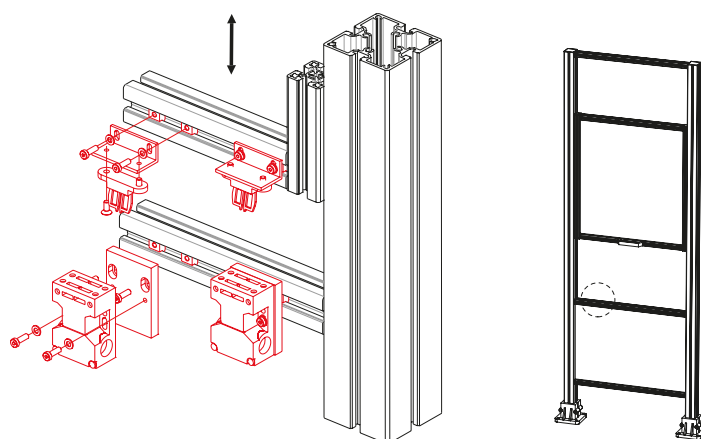
**Fig. 2: Hinged door**  
Fixing AZ 15 zvr to the  
side strut (40-50)



**Fig. 3: Sliding door**  
Fixing AZ 15 zvr to the  
side strut (50-40)



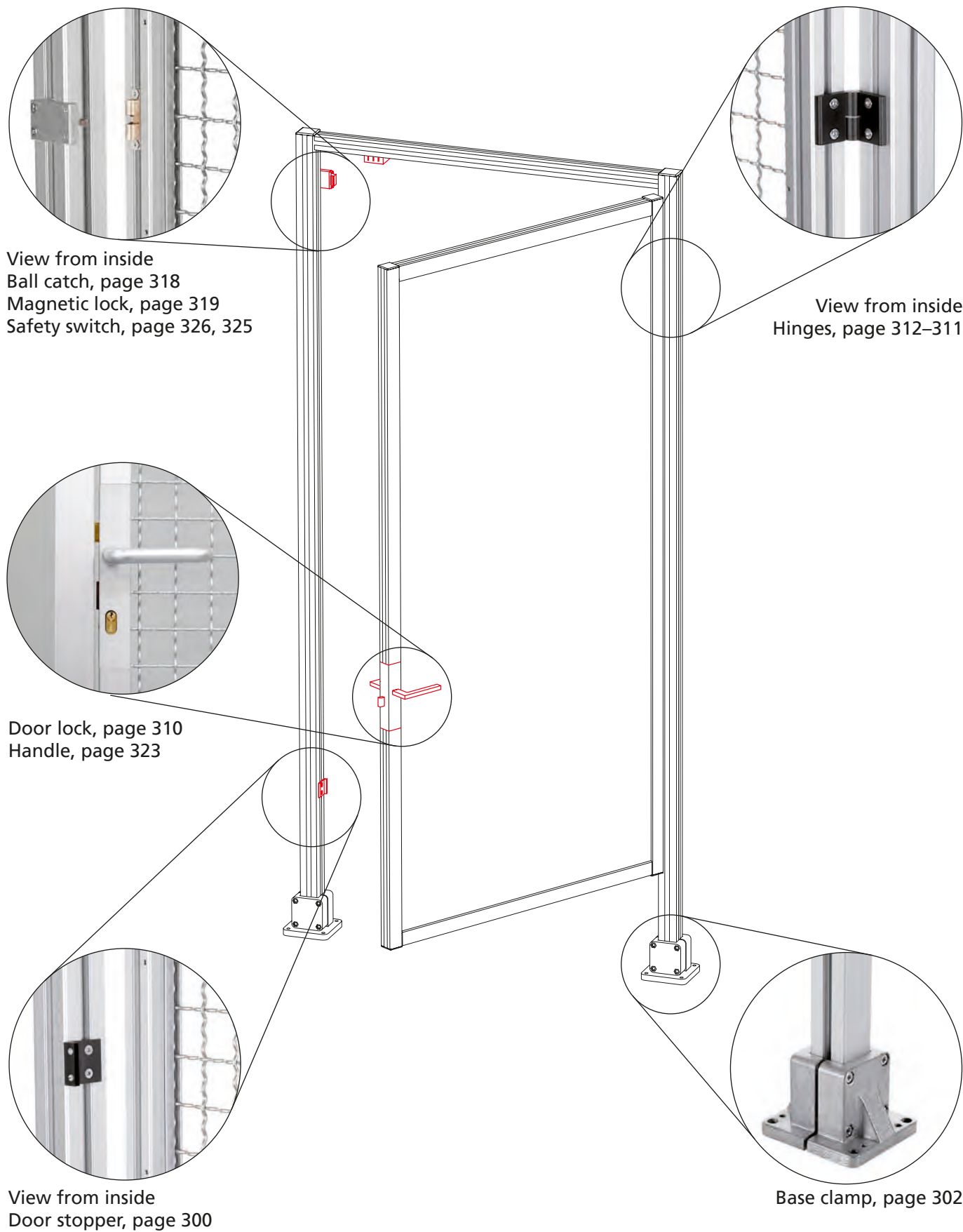
**Fig. 4: Lifting door**  
Fixing AZ 15 zvr to the  
cross strut (40-40)



Functional profiles

# Fittings

## Fittings







# Conveying elements and pneumatics

## Versions

### Conveying elements



Conveyor rollers



Roller carriage



Conveyor drums



Sliding piece

### Pneumatics



Pneumatic connection



Pneumatic connecting plate



## Table of contents

<b>Conveying elements</b>	Conveyor rollers ..... p. 332
	Conveyor drums ..... p. 332
	Sliding piece ..... p. 333
	Roller carriage ..... p. 334
<b>Pneumatics</b>	Pneumatic connection ..... p. 335
	Pneumatic connecting plate ..... p. 335

Functional profiles

# Conveying elements

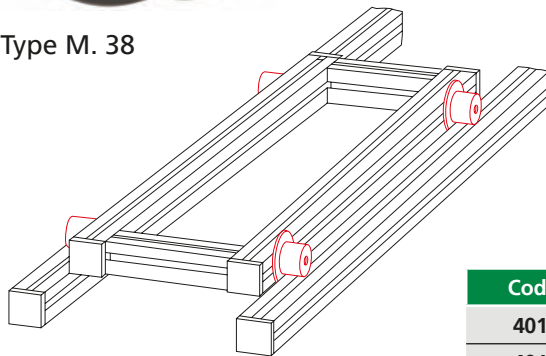
## Conveyor rollers



Type O. 38



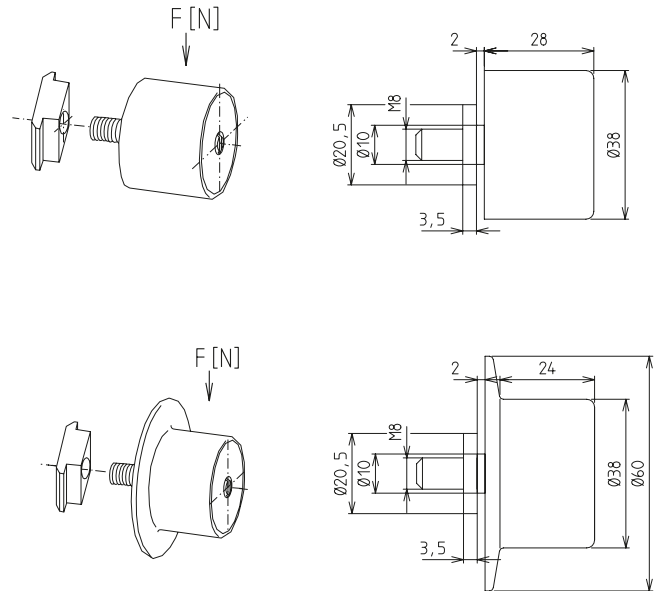
Type M. 38



- Version with or without flange
- Fixing in the profile slots
- For assembling transport vehicles or conveyor belts.

**Material:**  
Plastic with ball bearing.

**Scope of delivery:**  
Complete with fixing set.



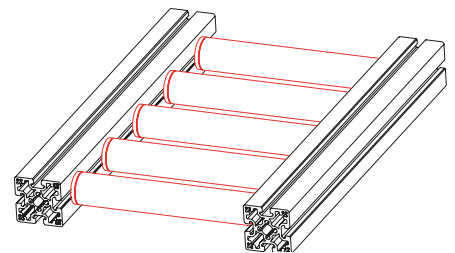
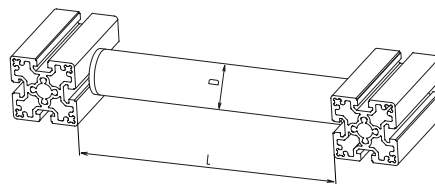
Code No.	Type	Slot geometry	F [N]
4010640	O. 38	40	100
4010641	M. 38	40	100

## Conveyor drums

- Standard length 500 mm. Other lengths available on request.

**Material:** Plastic with plastic ball bearings.

**Scope of delivery:**  
Complete with fixing set.



Code No.	Type	D	L	Slot geometry	F [N] in relation to 500 mm
4018641	40	40	500	40	100
4018640	50	50	500	40	150

[mm]

## Sliding piece

- For easy, low-wear moving of parts in a profile frame (sliding doors, lifting doors).
- A "centred" and an "off-centred" version are available. The sliding piece is available ready to install including set screws and as bars.

**Material:**  
Black plastic

**Scope of delivery:**  
See table/version

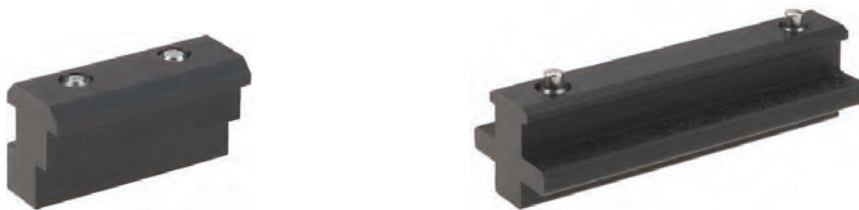


Fig. 1

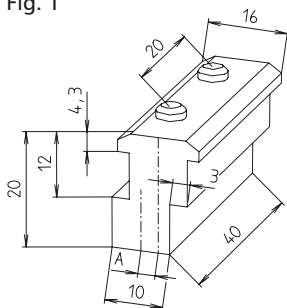
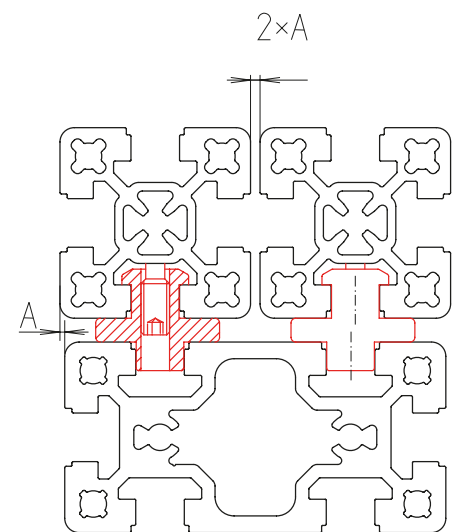
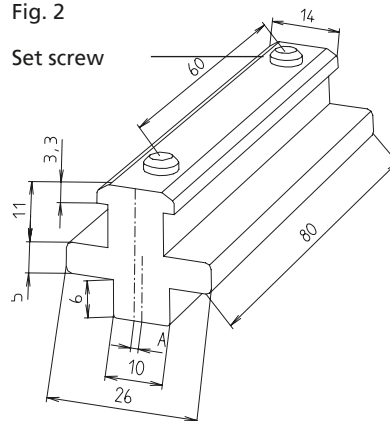


Fig. 2

Set screw



Code No.	Type	Version	Fig.	A
4018644	Centred sliding piece	Complete, 40 slot geometry	2	0
4018645	Centred sliding piece	2000 mm bar	2	0
4018646	Off-centred 1 mm sliding piece	Complete, 40 slot geometry	1	1
4018647	Off-centred 1 mm sliding piece profile	2000 mm bar	1	1
4018648	Off-centred 3 mm sliding piece	Complete, 40 slot geometry	1	3
4019236	Set screw M6x18 DIN 913	Corrosion-resistant		

[mm]

## Functional profiles

# Conveying elements

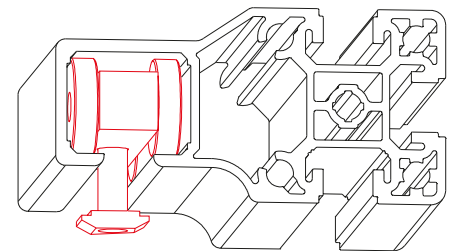
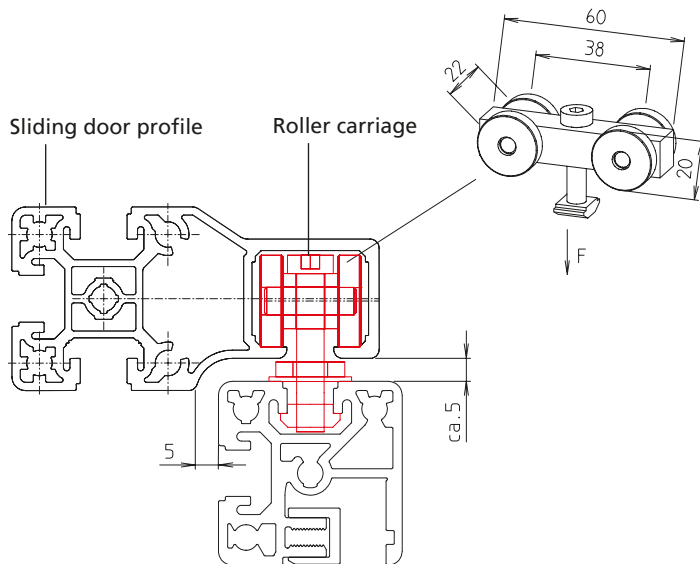
### Roller carriage

- The roller carriages are fitted for sliding door profile sizes 30 and 40 (see chapter "Functional profiles" page 196 + 201) However, they can also be used as individual parts in other constructions.

**Material:**

Aluminium, vibration finished with slide bushing, Plastic rollers, black

The scope of delivery includes the complete roller carriage, fixing screw, slot stone -F- and a lock nut. Galvanised steel fixation



Code No.	Type	Version	F
4170601	30	Complete roller carriage	150 N
4180601	40	Complete roller carriage	150 N

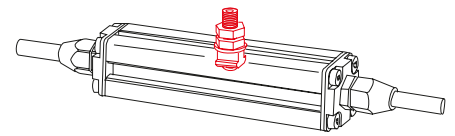
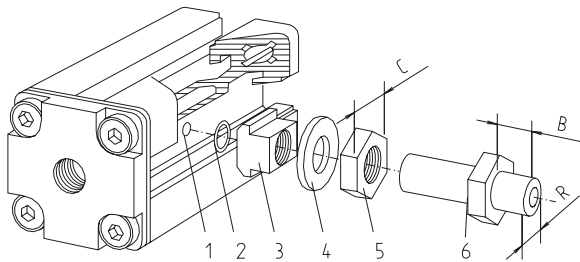
# Pneumatics

## Pneumatic connection



**Assembly:** Mark the desired position with the aid of the template (see page 482) and drill a hole with a 4 mm drill (1). Place the O ring (2) on the bore hole (6) and then push the slot stone (3) in the slot from the side, directly onto the bore hole. Then hand-tighten the screw in the slot stone (3) and lock it with the nut (5) and washer (4).

**Material:**  
Galvanised steel slot stone, brass screw connection.  
Connecting option in the slot of coupling sockets, plugs or screw connections.



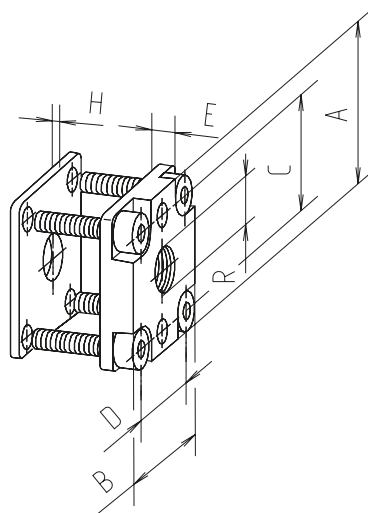
Code No.	Connection	R	B	C
4010415	R1/8"	R1/8"	12	17
4010416	With hose coupling - automatic stop			

## Pneumatic connecting plate

- Connection to the front profile surfaces, for compressed air supply or consumer systems.

**Material:**  
Die-cast aluminium

**Scope of delivery:**  
Complete with seal and screws.  
Fixing: Galvanised steel



Code No.	Type	Connection	A	B	C	D	E	R	H
4044411	80x80, F-80x80-L	R1/4"	80	80	68	68	8	R1/4"	2
4044412	80x80, F-80x80-L	R1/2"	80	80	68	68	8	R1/2"	2

Functional profiles

# Cable channel system

## Versions



Profiles



Spring strips



Channel assembly clip



Cover plate



End cover  
for cable outlet



Grommet  
for cable outlet



Membrane grommet  
for cable outlet



Cable tie base



Separating strip



Assembly strip



Edge protection



Equipotential bonding



Self tapping screw





## Table of contents

<b>Cable channel system</b>	Functionality/Assembly ..... p. 338
	Profiles ..... p. 339
	Spring strips ..... p. 340
	Channel assembly clip ..... p. 340
	Cover plate ..... p. 340
	End cover for cable outlet ..... p. 340
	Grommet for cable outlet..... p. 340
	Membrane grommet for cable outlet..... p. 340
	Separating strip ..... p. 341
	Assembly strip..... p. 341
	Edge protection..... p. 341
	Equipotential bonding..... p. 341
	Self tapping screws ..... p. 341

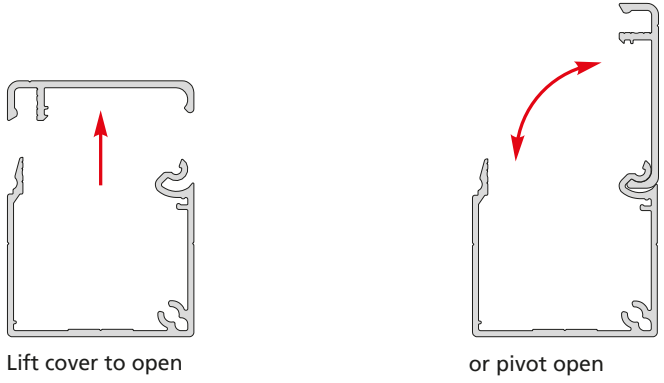
**Functional profiles**

# Cable channel system

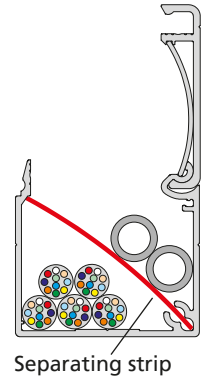
## Channel functionality

- Aluminium cable channel in sizes 40x40, 40x80 and 80x40
- Smooth and scratch-resistant easy to clean anodised surface

Easy to open / excellent accessibility

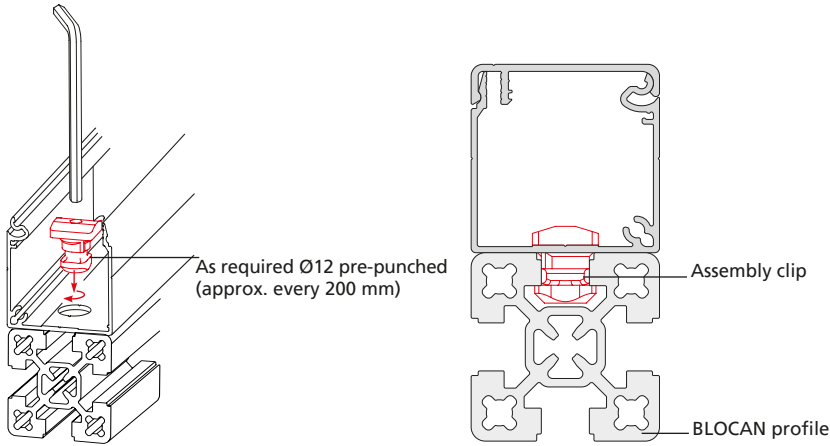


Arrangement in channel with optional separating strips

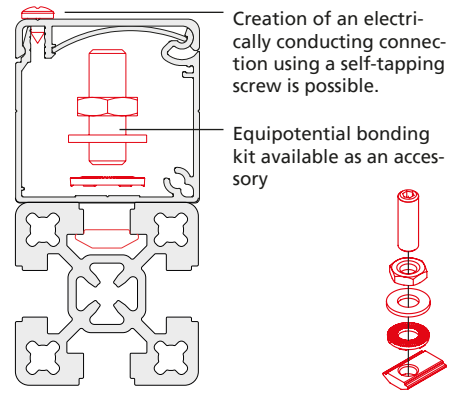


## Assembling the channel

Easy assembly (without machining) with BLOCAN® profiles

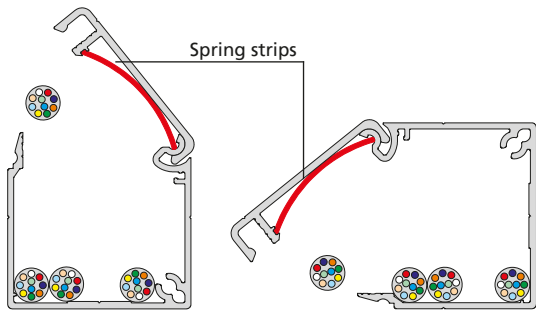


Equipotential bonding

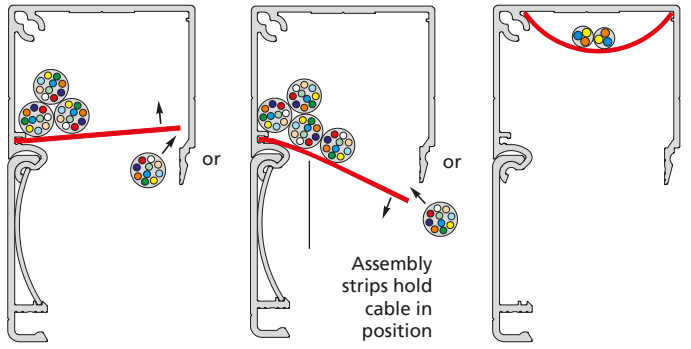


## Cable arrangement

Insertable spring strips hold the cover in position

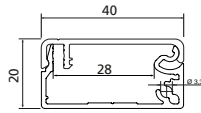


Assembly strips facilitate overhead assembly



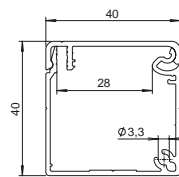
## Cable channel profiles

### Profil KK-40x20



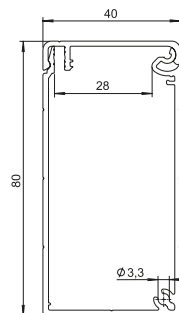
Code No.	Profile	Type	Weight
4F55A01	KK-40x20, 6 m bar	With fixing holes	0,609 kg/m
4F55A00	KK-40x20, cut to size		
4F55001	KK-40x20, 6 m bar	Without fixing holes	0,611 kg/m
4F55000	KK-40x20, cut to size		

### Profile KK-40x40



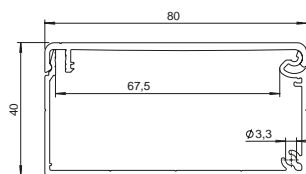
Code No.	Profile	Type	Weight
4E15A01	KK-40x40, 6 m bar	With fixing holes	0.745 kg/m
4E15A00	KK-40x40, cut to size		
4E15001	KK-40x40, 6 m bar	Without fixing holes	0.747 kg/m
4E15000	KK-40x40 cut to size		

### Profile KK-40x80



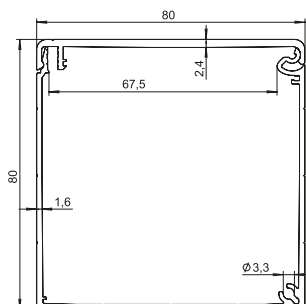
Code No.	Profile	Type	Weight
4E35A01	KK-40x80, 6 m bar	With fixing holes	1.152 kg/m
4E35A00	KK-40x80, cut to size		
4E35001	KK-40x80, 6 m bar	Without fixing holes	1.155 kg/m
4E35000	KK-40x80 cut to size		

### Profile KK-80x40



Code No.	Profile	Type	Weight
4E25A01	KK-80x40, 6 m bar	With fixing holes	1.290 kg/m
4E25A00	KK-80x40, cut to size		
4E25001	KK-80x40, 6 m bar	Without fixing holes	1.292 kg/m
4E25000	KK-80x40 cut to size		

### Profile KK-80x80



Code No.	Profile	Type	Weight
4F15A01	KK-80x80, 6 m bar	With fixing holes	1.690 kg/m
4F15A00	KK-80x80, cut to size		
4F15001	KK-80x80, 6 m bar	Without fixing holes	1.693 kg/m
4F15000	KK-80x80 cut to size		

## Functional profiles

# Cable channel system

### Order instruction:

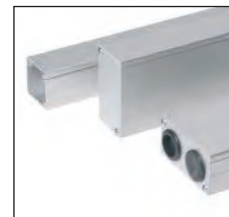
- Purchase only in lot sizes and a multiple of that see product table below



Spring strips hold the cover open in any position



Quick and easy assembly with a fixing clip



Cover plates and outlets as required

### Spring strips for cover



Code No.	Type	lot sizes	Material
4E185041	KK 40x40 KK 40x80	10, 20, 30... pcs	Plastic
4E285011	KK 80x40 KK 80x80	10, 20, 30... pcs	Plastic

### Cable assembly clip



Code No.	Type	lot sizes	Material
4E185031	all	10, 20, 30... pcs	Plastic

### Cover plate



Code No.	Type	lot sizes	Material
4F555011	KK 40x20	6, 12, 18... pcs	Aluminium
4E155011	KK 40x40	6, 12, 18... pcs	
4E255011	KK 40x80, KK 80x40	6, 12, 18... pcs	
4F155011	KK 80x80	6, 12, 18... pcs	

### End cover for cable outlet



Code No.	Type	lot sizes	Material
4E155021	KK 40x40	6, 12, 18... pcs	Aluminium
4E255021	KK 40x80, KK 80x40	6, 12, 18... pcs	
4F155021	KK 80x80	6, 12, 18... pcs	

### Grommet for cable outlet



Code No.	Type	lot sizes	Material
4E185051	Outlet Ø 22mm	6, 12, 18... pcs	Z-PVC

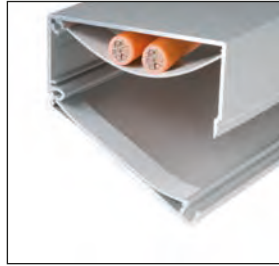
### Membrane grommet for cable outlet



Code No.	Type	lot sizes	Material
4E185021	40x40, 40x80, 80x40, 80x80	6, 12, 18... pcs	Plastic



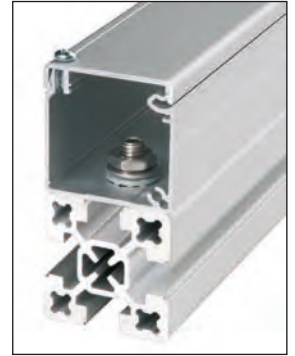
Leads can be separated with press-fit separating strips...



...or make overhead work easier.



Edge protection for inlets or outlets



Standard components make equipotential bonding easy

### Cable tie base \*



Code No.	Type	lot sizes	Material
4F185021	all	10, 20, 30... pcs	Plastic

\* May be used with channel assembly clip.

### Separating strip



Code No.	Type	lot sizes	Material
4E185061	KK 40x40	10, 20, 30... pcs	Plastic
4E285021	KK 40x80, KK 80x40	10, 20, 30... pcs	
4F185011	KK 80x80	10, 20, 30... pcs	

### Assembly strip



Code No.	Type	lot sizes	Material
4E185071	KK 40x40, KK 40x80	10, 20, 30... pcs	Plastic
4E285031	KK 80x40	10, 20, 30... pcs	

### Edge protection



Code No.	Type	Material
4E18501	1 unit per 1 m	Plastic

### Equipotential bonding



Code No.	Type	lot sizes	Material
4E16502	screw, slot stone, washers	-	Aluminium
4E165031	contact washer	100, 200, 300... pcs	

### Self tapping screw



Code No.	Type	lot sizes	Material
4E165011	ISO 7049 St. 3.5 x 9.5, Form f	10, 20, 30... pcs	Aluminium

Functional profiles

# Accessories M-BLOCAN®

## Versions



Flange bracket  
M-BLOCAN®



Flange bracket adaptor



Corner joint R / GG



Corner joint  
for clamping profiles



Profile / Angle brackets



Mitre joint -transversal-



Slot stone -B- / PLM



Screws



Profile hinge



Handle



Butt hinge



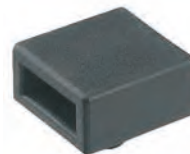
Magnetic lock



Cover profile



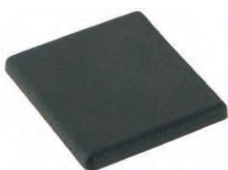
Vario-Quick  
holding block S



Vario-Quick  
holding block K



Surface elements



Caps



Foot



# Table of contents

## Accessories

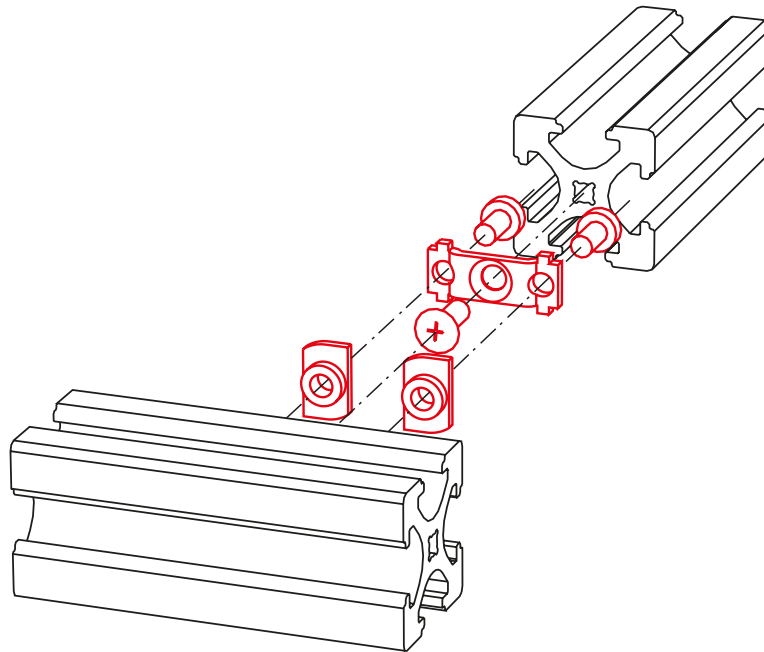
### M-BLOCAN®

- Flange bracket M-BLOCAN® ..... p.345
- Flange bracket adaptor ..... p.345
- Corner joint R / GG ..... p.346
- Corner joint for clamping profiles ..... p.348
- Profile / Angle brackets..... p.350
- Mitre joint -transverse- ..... S.352
- Slot stone -B- / PLM ..... p.353
- Screws ..... p.353
- Profile hinge ..... p.354
- Handle..... p.354
- Butt hinge..... p.355
- Magnetic lock..... p.355
- Cover profile..... p.356
- Vario-Quick holding block S ..... p.357
- Vario-Quick holding block K..... p.357
- Surface elements ..... p.358
- Caps..... p.359
- Foot..... p.359

## Functional profiles

# Flange bracket connection M-BLOCAN®

## Flange bracket connection M-BLOCAN®



The illustration shows approximately the actual size.

- Connecting BLOCAN® profiles without machining such as drilling, tapping etc. is based on many years of experience. Constant striving for shorter assembly times and therefore lower costs led to the latest innovation in the profile sector:  
**The bayonet nut connector**
- The redesigned slot stones are already pre-assembled to the flange bracket, but loose. They turn automatically in the correct position when screwed in.
- Screw the flange bracket to the profile end, align the slot stones, attach the other profile and tighten.  
  
Ready!



- Flange bracket with bayonet catch for a right angle connection of two profiles.

**Material:** Galvanised steel

**Scope of delivery:**  
Comprises all the parts necessary for the complete assembly of two profiles.

## Flange bracket M-BLOCAN®



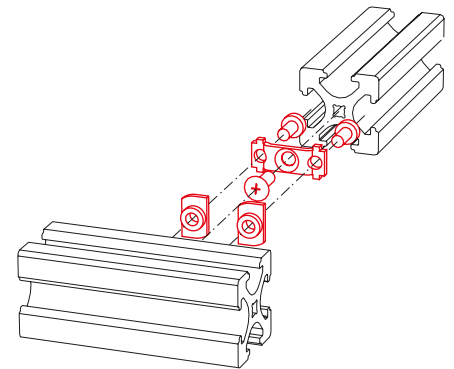
F-/ F-G 20

F-20x40



F-R 20

F-G / F-GG 20



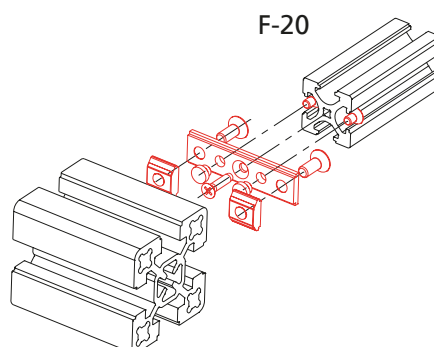
Code No.	Type	lot sizes
E01007AAE	F-20 / F-G 20	10, 20, 30... pcs
E03007AAE	F-20x40	10, 20, 30... pcs
E02007AAE	F-R 20	10, 20, 30... pcs
E07007AAE	F-G 20 / F-GG 20 short	10, 20, 30... pcs

## Flange bracket adaptor

- Adaptor strip with slot stones for the connection of M-BLOCAN® profiles with the tried-and-tested BLOCAN® profiles.

**Material:**  
Galvanised steel

**Scope of delivery:**  
Comprises all the parts necessary for the complete assembly of two profiles.  
Plastic fixation



Code No.	Type	Slot geometry
E01009AAE	F-20x20	30
E01012AAE	F-20x20	40
E03009AAE	F-20x40	30
E03012AAE	F-20x40	40
E07009AAE	F-G/GG 20	30
E07012AAE	F-G/GG, F-R 20	40

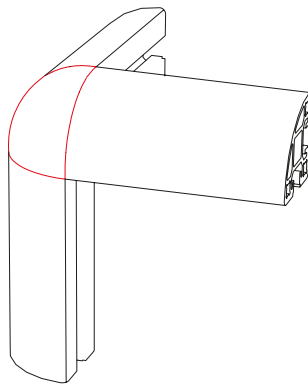
## Functional profiles

# Accessories M-BLOCAN®

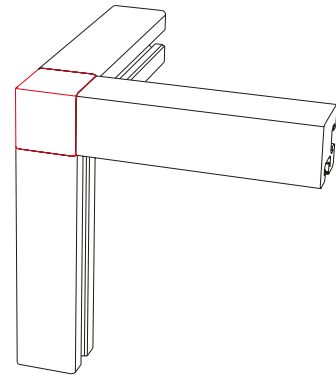
### Corner joint R / GG with corner cap

- Connecting element for the rectangular assembly of edge profiles R / GG 20.
- The profiles are connected to each other by means of the corner joint and screws.
- Centring pins facilitate the assembly and adjustment of the profiles. They can be snapped off with a pair of tongs if not required. In order to give this joint an attractive finish, it is covered with a plastic cap.

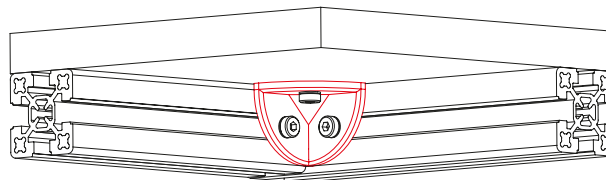
**Material:**  
Die-cast zinc corner joint,  
Plastic cap,  
Galvanised fastenings



Connection of "R-profiles"



Connection of "GG-profiles"



Corner joint as fixation element for the flush assembly of surface elements



**Order instruction:**

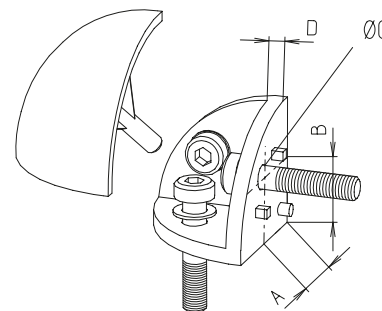
- Purchase only in lot sizes and a multiple of that see product table below



Complete corner joint R20



Complete corner joint GG20



Code No.	Type	lot sizes	Profiles	A	B	Ø C	D
E02043AAE	Complete corner joint, black	4, 8, 12... pcs	R 20	10	10	3.4	2.5
E02045AAE	Complete corner joint, black	4, 8, 12... pcs	GG 20	10	10	3.4	2.5
E02042AAE	Corner joint, (without cap and screws)	4, 8, 12... pcs	R, GG 20	10	10	3.4	2.5

Code No.	Type	lot sizes	Profiles	Colour
E02044DAE	Corner cap	10, 20, 30... pcs	R 20	black
E02044KAE				RAL 9006
E02044LAE				RAL 7035
E02044MAE				RAL 1021
E02044NAE				RAL 3020
E02044PAE				RAL 5005
E02046DAE	Corner cap	10, 20, 30... pcs	GG 20	black
E02046KAE				RAL 9006
E02046LAE				RAL 7035
E02046NAE				RAL 3020
E02046PAE				RAL 5005

Black	
White RAL 9006	
Grey RAL 7035	
Yellow RAL 1021	
Red RAL 3020	
Blue RAL 5005	

Please note that due to typographical reasons the colours listed above can only be an approximate representation of the corresponding RAL colours.

## Functional profiles

# Accessories M-BLOCAN®

### Order instruction:

- Purchase only in lot sizes and a multiple of that see product table below

### Corner joint KL / KLE / KLK / KLA



Version KL



Version KLE

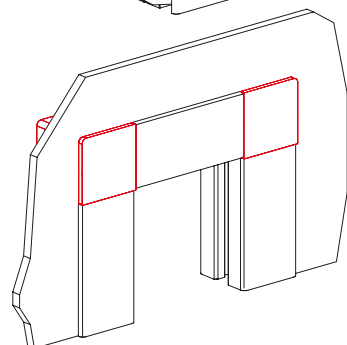
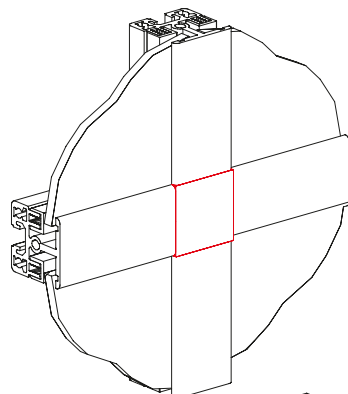
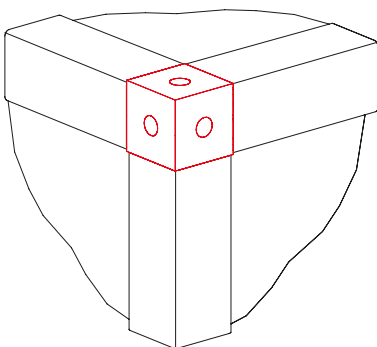
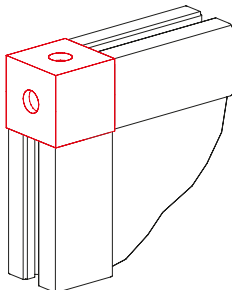


Version KLK



Version KLA

- Connecting element for the rectangular assembly of clamping profiles KL, KLD and KLE



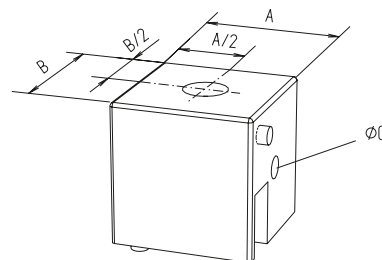
- The fastening screws are inserted directly into the profile which is torsionally secured by means of centring pins
- In the corner joints type KL and KLE, the boreholes for the screws can be tapped with a plastic cap.

### Material:

Black powder-coated aluminium

### Scope of delivery:

Comprises all the parts necessary for the assembly of two or three profiles



[mm]

Code No.	Type	lot sizes	A	B	C
E04036BHE	KL 20	–	20	20	3.4
E09035BHE	KLE 20	–	20	20	3.4
E00041BHE	KLK 20	–	20	20	3.4
E04059BHE	KLA 20	–	20	20	3.4
<b>Plastic caps (black)</b>					
E00061DAE	KL/KLE 20	100, 200, 300...pcs	–	–	–



## Functional profiles

# Accessories M-BLOCAN®

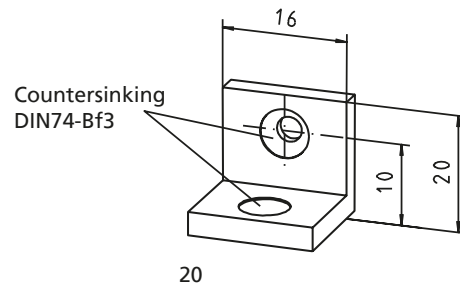
## Profile angle bracket

### Material:

Aluminium, vibration finished

### Scope of delivery:

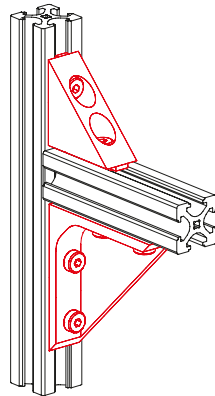
without fixation set



Code No.	Type	Slot geometry
E00005BDE	20	All
E00018AAE	Fixation set 20	20



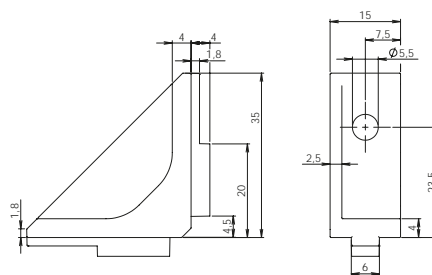
### Angle bracket



**Material:**  
Die-cast aluminium

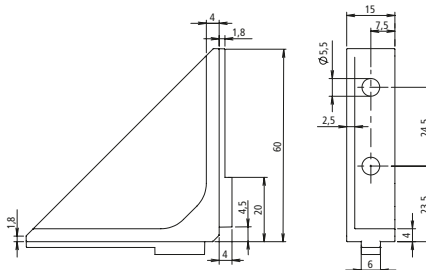
**Scope of delivery:**  
without fixation set

### 35x35-1



Code No.	Type	Slot geometry
E00062EDE	Angle bracket 35x35-1	20
E00065AAE	Fixation set	20

### 60x60-1



Code No.	Type	Slot geometry
E00063EDE	Angle bracket 60x60-1	20
E00066AAE	Fixation set	20

## Functional profiles

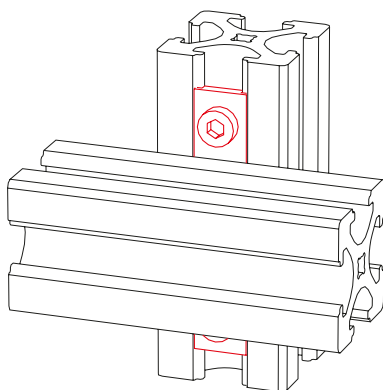
# Accessories M-BLOCAN®

### Mitre joint -transverse-

- This assembly set is used to achieve cross connections without drilling.
- The profiles are adjustable and can be later added to existing constructions.
- The parts are self-centring so that no adjustment of the profiles is needed.

**Material:**  
Galvanised steel

**Scope of delivery:**  
Complete with fixation set



Code No.	Type	Version
E00016AAE	20	with slot stone -B-



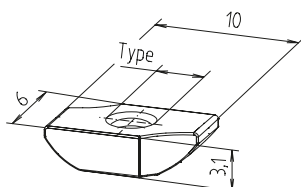
**Order instruction:**

- Purchase only in lot sizes and a multiple of that see product table below

**Slot stone -B-**


- For the fixation of flange brackets, profile connectors and angle brackets
- The slot stone can be inserted into the slot at any desired position and turns in the correct clamping position when tightening

**Material:**  
Galvanised steel

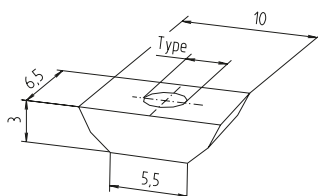


Code No.	Type	lot sizes
E00017CEE	M3	10, 20, 30... pcs
E00058CEE	M4	10, 20, 30... pcs

**Slot stone -PLM-**


- For the fixation of flange brackets, profile connectors and angle brackets
- The slot stone PLM is inserted into the profile laterally

**Material:**  
Galvanised steel



Code No.	Type	lot sizes
E00037CEE	M3	10, 20, 30... pcs
E00038CEE	M4	10, 20, 30... pcs
E00039CEE	M5	10, 20, 30... pcs

**Screws**

**Material:**  
Galvanised steel



DIN 7516-D



DIN 912

Code No.	Type	lot sizes	Usage
E00029CEE	M3x6 / DIN 912	100, 200, 300... pcs	Slot stone -B-
E00033CEE	M3x12 / DIN 7516-D	100, 200, 300... pcs	Fix. Flange bracket/Profile

## Functional profiles

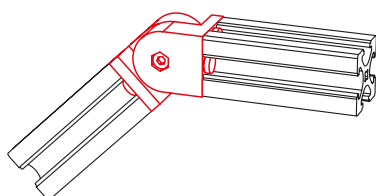
# Accessories M-BLOCAN®

### Profile joint

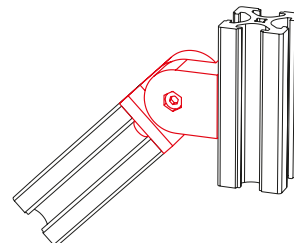
- Depending on the fixation set, for an end-to-end connection or the fixation to the longitudinal slots.
- Continuously adjustable through 180°, it can be fixed in any desired position by means of a clamping screw

**Material:**  
Black fibre-glass reinforced plastic,  
Galvanised steel fixation

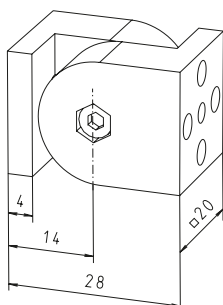
**Scope of delivery:**  
Complete with fixation set and  
centring pins



End to end



End to slot



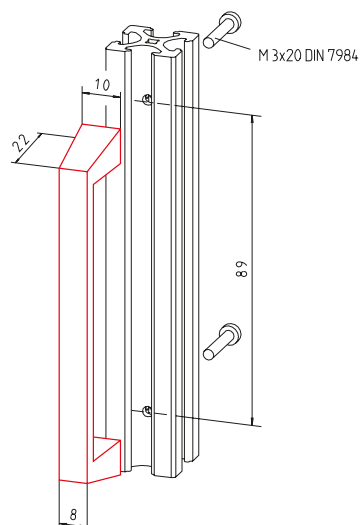
Code No.	Type	Version
E00002AAE	20	End to end
E00003AAE	20	End to slot
E00004AAE	20	Slot to slot

### Handle



**Material:**  
Die-cast zinc, black

**Scope of delivery:**  
Complete with fixation set



Code No.	Type	for profile
E00022AAE	T-100	all except R20

## Butt hinge

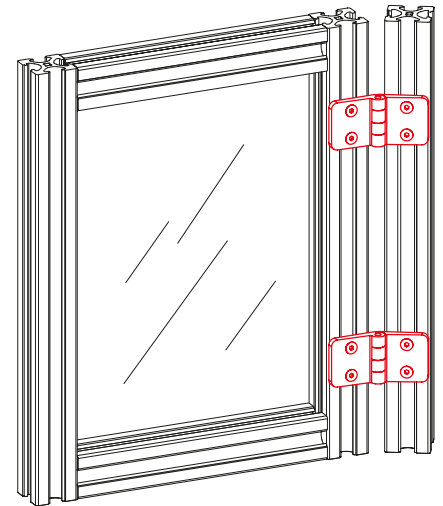
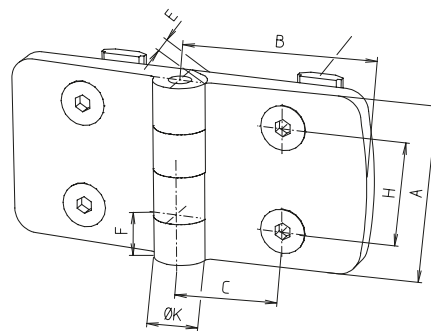
- Can be attached to all support profiles with slots and surface elements

**Material:**  
Black plastic

**Scope of delivery:**  
Complete with fixation set



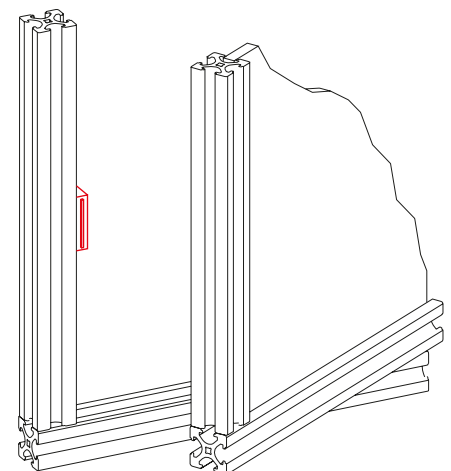
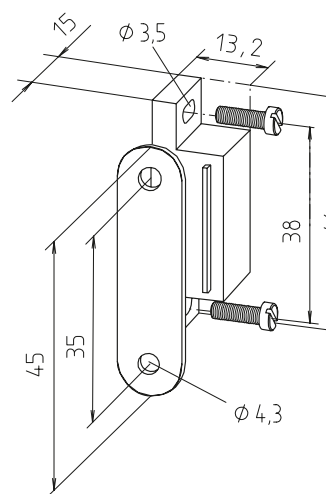
M4x8 DIN7991  
Slot stone -B- M4



Code No.	Type
E00049DAE	Butt hinge 20 with fixation set

## Magnetic lock

**Material:**  
Plastic, galvanised steel parts  
**Scope of delivery:**  
Complete with fixation set



Code No.	Type	for profile
E00023AAE	Surface element with frame	all

## Functional profiles

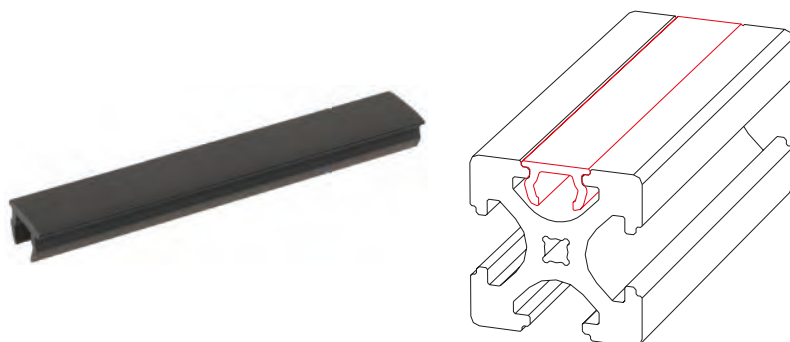
# Accessories M-BLOCAN®

### Cover profile







- For a flush covering of longitudinal slots, protecting against dirt and retaining cables laid in the slots

**Material:** Plastic

Please note that due to typographical reasons the colours listed above can only be an approximate representation of the corresponding RAL colours.



Code No.	Type		
E00024D_C	Bar	coloured	2000mm

Colour of cover profile			
—	L		Grey RAL 7035
—	K		White RAL 9006
—	M		Yellow RAL 1021
—	N		Red RAL 3020
—	P		Blue RAL 5005
—	A		Black RAL 9005

**Order instruction:**

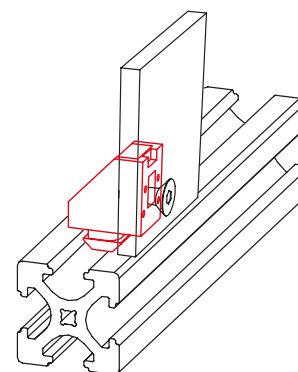
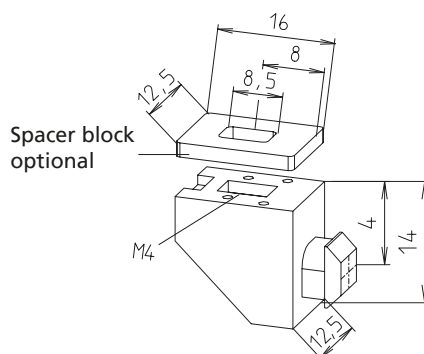
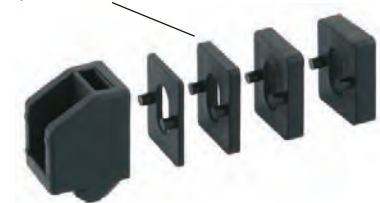
- Purchase only in lot sizes and a multiple of that see product table below

**Vario-Quick holding block S**

- In contrast to the Vario-Quick holding block R, here the surface element is screwed to the Vario-Quick holding block S.

**Material:** Black plastic, Galvanised square nut

Spacer blocks

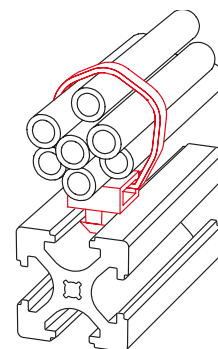
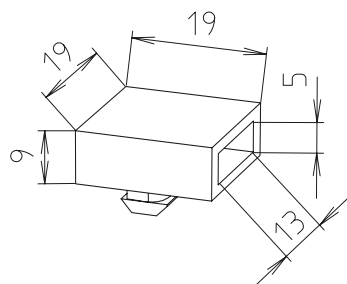
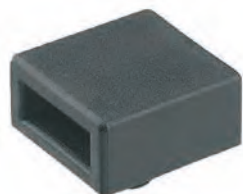


Code No.	Type	lot sizes
E00052DAE	Holding block S, 20 slot geometry	10, 20, 30... pcs
E00053DAE	Spacer block 1	10, 20, 30... pcs
E00054DAE	Spacer block 2	10, 20, 30... pcs
E00055DAE	Spacer block 3	10, 20, 30... pcs
E00056DAE	Spacer block 4	10, 20, 30... pcs

**Vario-Quick holding block K (cable bracket)**

- The holding block K is used for the fixation of cables and pipes to the profile by means of a cable fastener
- It can be inserted directly into the slot.

**Material:** Black plastic



Code No.	Type	lot sizes
E00060DAE	Holding block K, 20 slot geometry	10, 20, 30... pcs

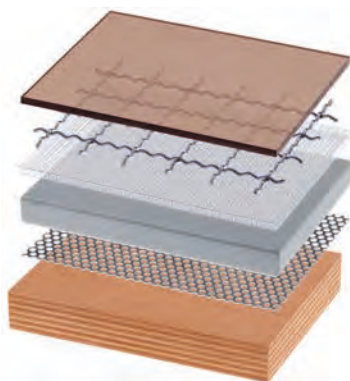
## Functional profiles

# Accessories M-BLOCAN®

Surface element

- For doors, cladding, partitions and table tops.

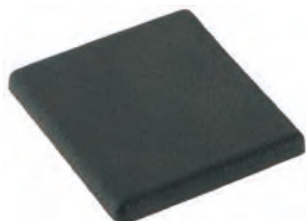
Cuts according to instructions!



Code No.	Type	Thickness	Version	Max. panel size [m]	Weight [kg/m <sup>2</sup> ]
4018584	Macrolon	2 mm	transparent	3.05 x 2.05	2.40
4018586	Macrolon	4 mm	transparent	3.05 x 2.05	4.80
4018587	Macrolon	4 mm	tinted	3.05 x 2.05	4.80
4018576	Macrolon	6 mm	transparent	3.05 x 2.05	7.20
4018579	Macrolon	6 mm	Brown tinted	3.05 x 2.05	7.20
4018582	Acrylic glass	4 mm	Clear	3.050 x 2.050	4.80
4018595	Acrylic glass	5 mm	Clear	3.050 x 2.050	6.00
4018563	Acrylic glass	5 mm	Blue, transparent	3.050 x 2.030	6.00
4018575	Acrylic glass	6 mm	Clear	3.050 x 2.050	7.20
4018577	Acrylic glass	10 mm	Clear	3.050 x 2.050	13.00
4012576	Trespa	6 mm	brown	3.65 x 1.86	8.40
4012586	Trespa	6 mm	silver grey	3.65 x 1.86	8.40
4018570	Koematex	6 mm	white	3.05 x 1.56	4.20
4015573	Aluminium	2 mm	clear anodised	2.00 x 1.00	5.40
4016577	Wire mesh	2.5 mm	Galvanised steel	1.40 x 2.50	2.40




**Order instruction:**

- Purchase only in lot sizes and a multiple of that see product table below

**Caps**


- For end covering of profiles
- Thickness of caps 2 mm.

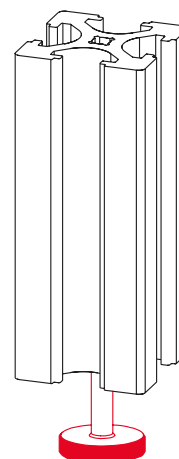
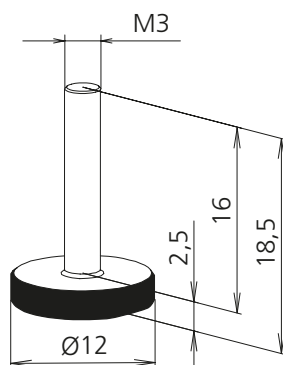
**Material:** Plastic  
Please note that due to typographical reasons the colours listed above can only be an approximate representation of the corresponding RAL colours.

-  Grey RAL 7035
-  White RAL 9006
-  Black RAL 9005

Code No.	Type	lot sizes	Colour
E01025DAE	20	10, 20, 30... pcs	black
E01025KAE			RAL 9006
E01025LAE			RAL 7035
E02025DAE	R 20	10, 20, 30... pcs	black
E02025KAE			RAL 9006
E02025LAE			RAL 7035
E03025DAE	20x40	10, 20, 30... pcs	black
E03025KAE			RAL 9006
E03025LAE			RAL 7035

**Foot**


- The foot is screwed directly into the screw channel of the M-BLOCAN® profile.
- Material:** Galvanised steel thread,

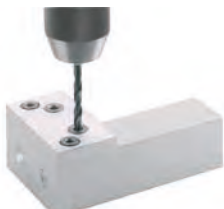


Code No.	Type	lot sizes
E00011CAE	20	10, 20, 30... pcs

Functional profiles

# Visible profiles of accessories (G-profiles)

## Versions



Connecting technology



Slot stones



Angle brackets



Vario-Quick holding block



Plastic foot



Levelling foot



Hinges



Handle profile



Handle



Magnetic lock



Caps



Cover caps





## Table of contents

<b>Accessories</b>	Connecting technology .....	p. 362
	Slot stones.....	p. 366
	Angle brackets .....	p. 367
	Vario-Quick holding block S .....	p. 367
	Plastic foot.....	p. 368
	Levelling foot .....	p. 368
	Hinges .....	p. 369
	Handle profile .....	p. 374
	Handle.....	p. 374
	Magnetic lock.....	p. 374
	Caps.....	p. 375
	Cover caps.....	p. 375

**Functional profiles**

# Connecting technology G-profiles

- G-profiles are connected by simple screw connections which are directly screwed into the screw holes of the profiles.



- A through bore hole is drilled into the passing profile of the connection using a template.
- Only one cylinder screw, (40 mm-profile), or two cylinder screws in case of the 40 x 80 mm-profile, is necessary for a rigid connection.

Through bore hole Ø 6.5 mm  
for rotation preventing pin

- Optionally, the clamping bolt connection can also be used in a similar way.
- For crossing connections, a special connecting element (see page 364) is being offered.
- Position the drilling template and drill the through bore hole of Ø 6.5 mm. If necessary, in case the profile G-40 is used, drill an additional bore hole for the rotation preventing pin.

Code No.	Type
4006650	Drilling template

**Order instruction:**

- Purchase only in lot sizes and a multiple of that see product table below

**Connection with cylinder screw**



- For cylinder screw connections, the top side is drilled out to Ø 11 mm until the bottom of the first slot is reached.

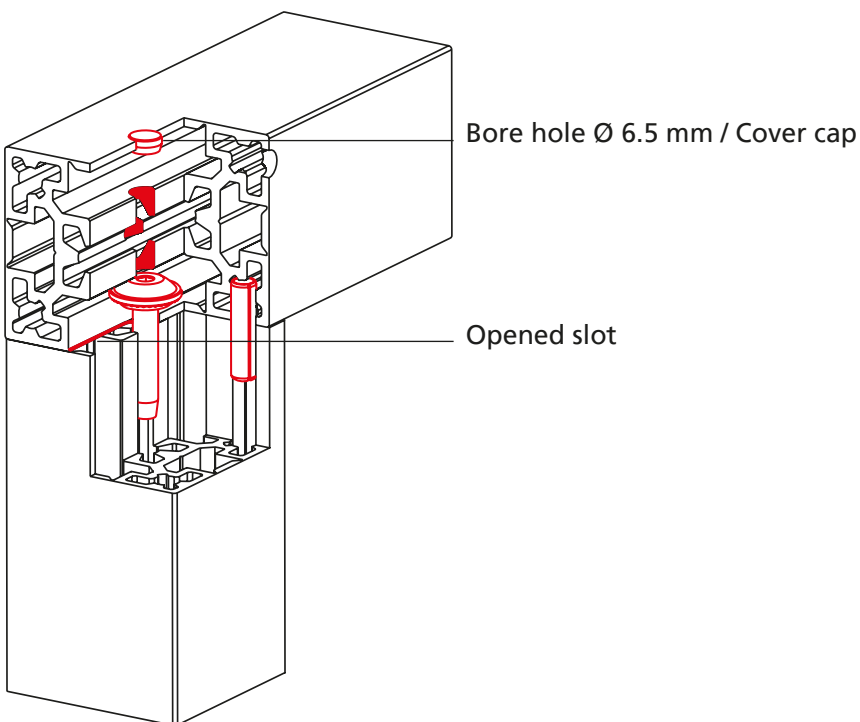
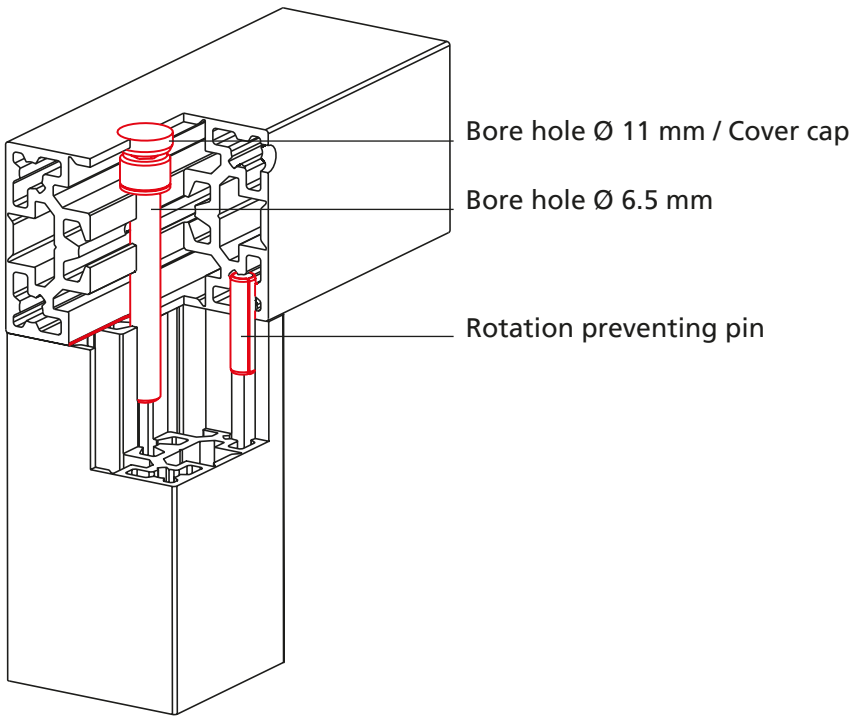
Code No.	Type	lot sizes
4B60504	Cyl. screw M6x80, A2	100, 200, 300... pcs
4B60505	Cyl. screw M6x90, A2	100, 200, 300... pcs

**Connection with hidden screw**



- For the hidden screw connection, the profile slot is levered out or preferably chiselled out precisely using the RK tool (see page 365). After that, the hidden screw can be slid in from the side. Refer to the sketch on page 347.

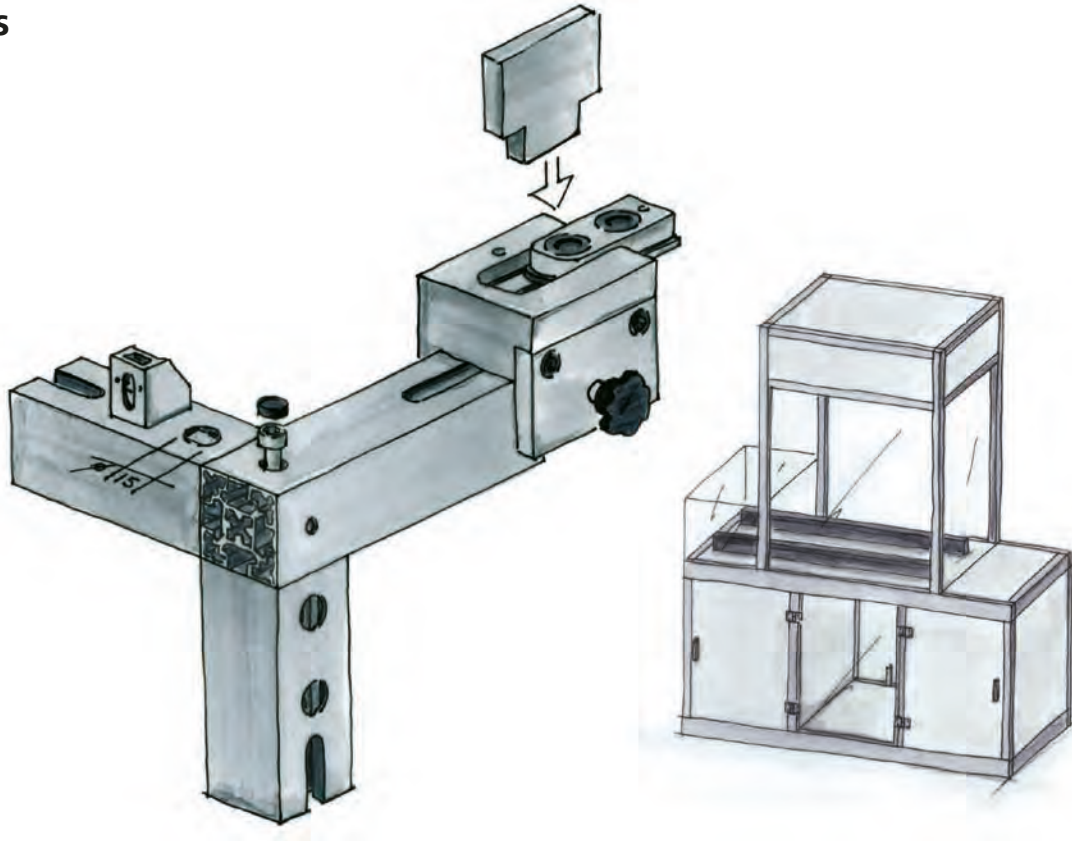
Code No.	Type	lot sizes
4B605021	Hidden screw M6X30, galvanised	10, 20, 30... pcs



## Functional profiles

# Connecting technology G-profiles

## Versions



### G-connectors

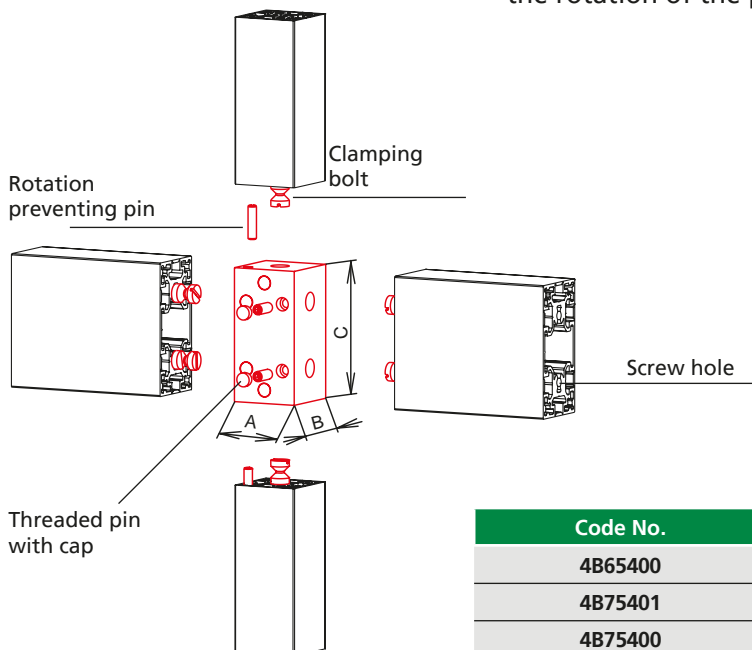


- The G-connector serves for connecting crossing G-profiles to each other (without profile processing). For this, the clamping bolts are inserted into the screw hole and then the profile is clamped by tightening the threaded pins. The profile G-40x40 has a pin that prevents the rotation of the profiles.

**Material:** Aluminium

#### Scope of delivery:

The order number involves all parts needed for the complete assembly of a connection.

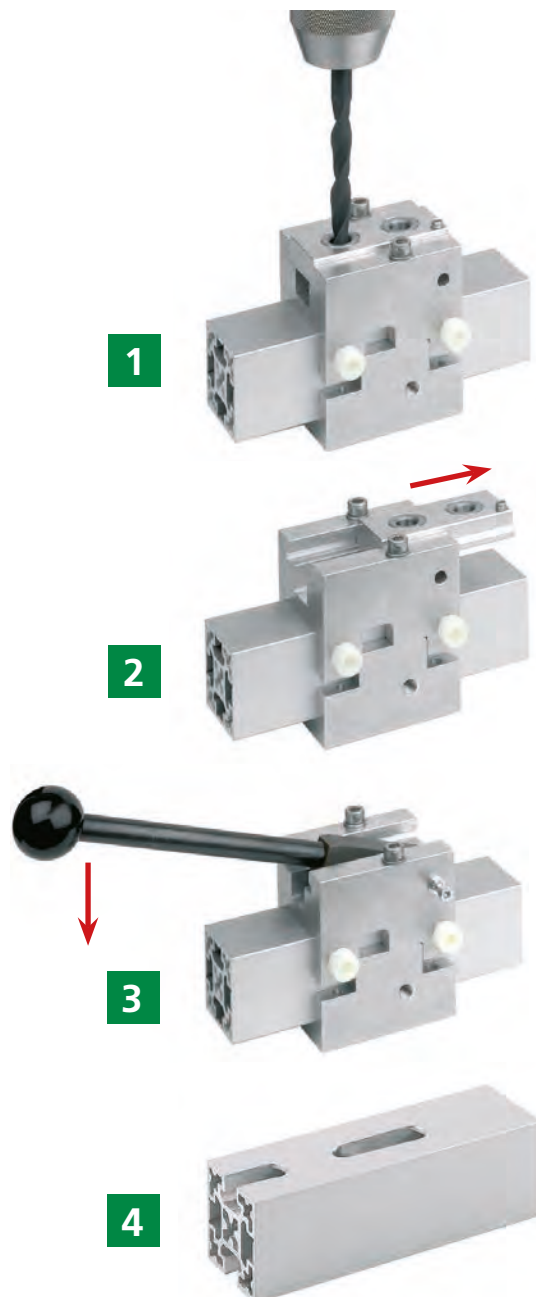


Code No.	Type	A	B	C
4B65400	K 40	40	40	40
4B75401	K 40/80	40	40	80
4B75400	K 80	80	40	80

## Opening of the profile slot

### Drill and chisel tool for G-profiles

- When the G-profiles were designed, special attention was given to the fact that, if necessary, the hidden profile slots shall be accessible. This is possible simply by chiselling out the covered slot. In this way, accessories can be attached without problems or the profiles can be connected to each other.



1.) A bore hole is drilled on the end points of the desired position. For attaching accessories, two bushes are installed in a defined distance.

2.) After that, the drilling template is removed.

3+4.) The profile slot is chiselled out using a stamp.

Code No.	Type
4006651	Drill and chisel tool 40
4006653	Drill and chisel tool 80

# Accessories G-Profiles



### Order instruction:

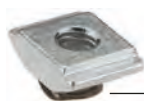
- Purchase only in lot sizes and a multiple of that see product table below

- The slot stones can also subsequently be placed or inserted into the profile groove.

**Material:** Galvanised steel

### Slot stones

-F-



Spring clip

-K-



Spring clip

-R-



- The slot stone with spring clip (type-F/K-) can be fixed at any desired position.

[mm]

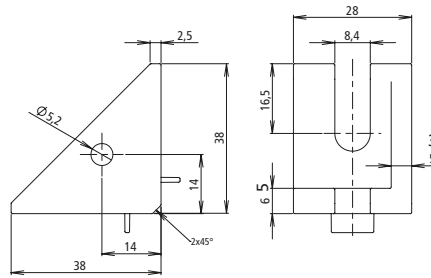
Code No.	Type	lot sizes	A	B	C	D	E
4006715	-F- / M4	10, 20, 30... pcs	10	14	4	-	M4
4006713	-F- / M5	10, 20, 30... pcs	10	14	4	-	M5
4016212	-K- / M6	10, 20, 30... pcs	21	14	4	7	M6
4016213	-K- / M8	10, 20, 30... pcs	21	14	4	7	M8
4026221	-R- / M6	10, 20, 30... pcs	15	8	10	-	M6
4026222	-R- / M8	10, 20, 30... pcs	15	9	10	-	M8

**Order instruction:**

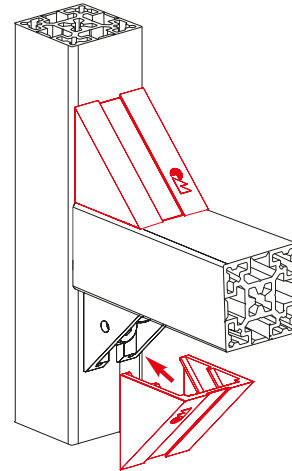
- Purchase only in lot sizes and a multiple of that see product table below

**Angle brackets**


- A centring nib facilitates the assembly and prevents the bracket from twisting. Should the nibs not be required, they can be snapped off with a pair of tongs.
- Angular tolerance  $90^{\circ} \pm 5'$ .



**Material:** Die-cast zinc,  
Cover made of plastic RAL9006  
Fixation set made of stainless steel



Code No.	Type	lot sizes
4014102	Angle bracket 40	10, 20, 30... pcs
4018104	Plastic cap 40, RAL 9006	10, 20, 30... pcs
4029208	Fixation set M8x16, slot stone -N-	1 slot stone with screw, washer

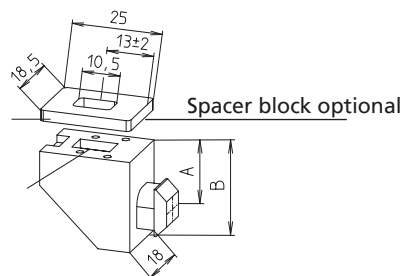
**Vario-Quick holding block S**

- Used for the later fixation of surface elements to existing profile constructions.
- The surface element is screwed to the holding block.
- Spacer blocks allow for different distances to the profile edge.

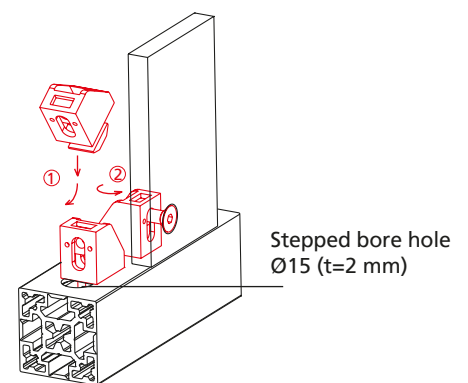
**Material:** Plastic, RAL 9006  
Stainless steel square nut



Spacer blocks



Square nut M


 Stepped bore hole  
Ø15 (t=2 mm)

Code No.	Type	lot sizes	Version	A	B	M
40181461	Holding block S	10, 20, 30... pcs	40 slot geometry	10	25	M4
40181341	Holding block S	10, 20, 30... pcs	40 slot geometry	10	25	M6
40181371	Spacer block S/L	10, 20, 30... pcs	3 mm		-	
40181381	Spacer block S/L	10, 20, 30... pcs	5 mm		-	
4006648	Stepped drill	-	Ø 8 / 15		-	
4006649	Countersink	-	Ø 15 - 90°		-	

[mm]

Functional profiles

# Accessories

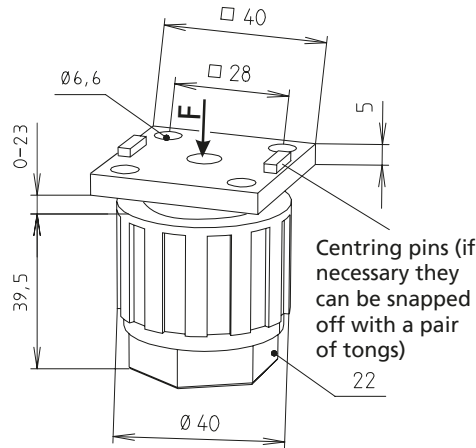
## Foot –plastic–



- Thanks to its attractive design, the plastic foot can be considered an alternative to the conventional swivel feet.
- The height adjustment does not require tools.

**Material:** Plastic RAL9006

**Scope of delivery:** complete foot with fastenings to be applied to a profile.



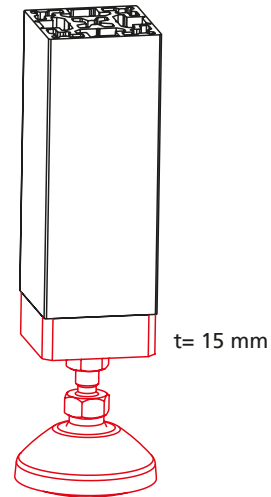
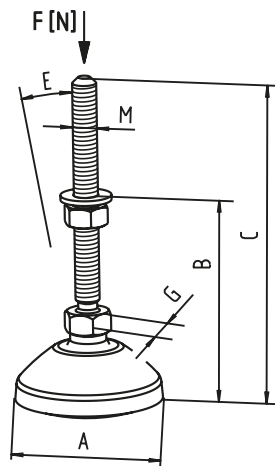
Code No.	Type	F [N]
4018302	40 slot geometry	1200

## Levelling foot



- The levelling feet are screwed into the profile using the connecting plate at the face.
- Note: If the profile G 40 x 40 mm is used, the middle screw hole has to be drilled out.

**Material:** Thread and screws made of stainless steel, hinge disc made of plastic (RAL9006), connecting plates made of aluminium.



Code No.	Type	A	B <sub>min.</sub>	C	M	E	G	F [N]
4016321	Levelling foot	39	38.5	55	M8	20°	14	9,000
4016322		59	40	100	M10	20°	14	10,000
4016323		79	42	128	M12	20°	14	10,000

Code No.	Type	A	Profile
4014432	Connecting plate	M8	G-40x40
4014433		M10	G-40x40
4014434		M12	G-40x40

Code No.	Type	A	Profile
4034434	Connecting plate	M8	G-40x80
4034432		M10	G-40x80
4034433		M12	G-40x80



## Hinges 2-part

- The hinges can be mounted on all brace profiles and/or surface elements. In case of lift off hinges, flaps and doors can be removed easily.

**Material:** Aluminium,  
Steel parts made of stainless steel  
A fixation set (assembly of profiled parts) is supplied with the unit.

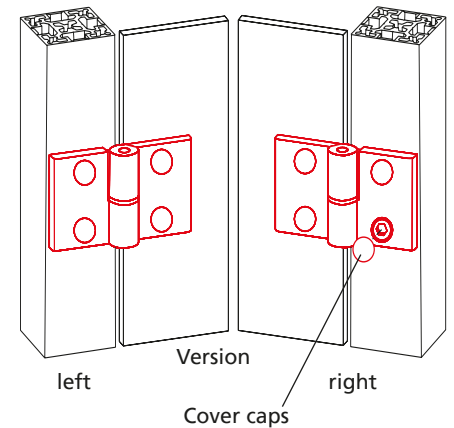
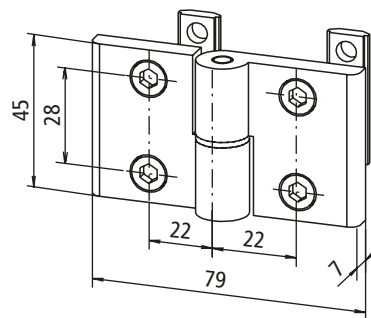
Lift off hinges



Butt hinge



Slot stone -L- M6



Code No.	Type	Slot geometry
4015510	Lift off hinge -left-	40
4015511	Lift off hinge -right-	40
4015513	Butt hinge	40

## Hinges 3-part

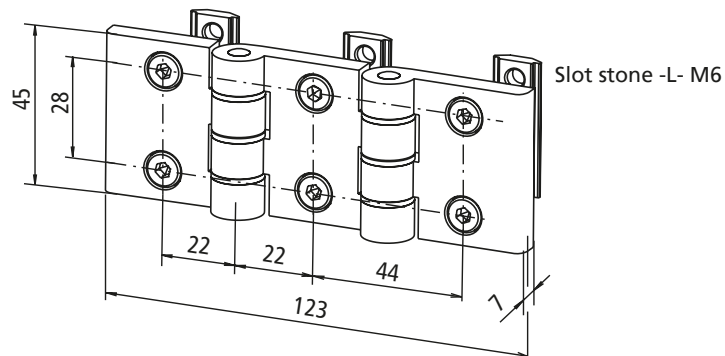
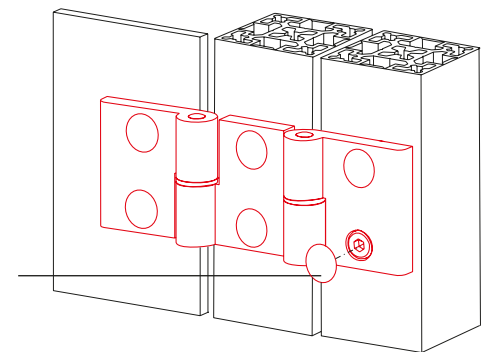
Lift off hinge



Butt hinge



Cover cap



Code No.	Type	Slot geometry
4015512	Lift off hinge	40
4015514	Butt hinge	40

Functional profiles

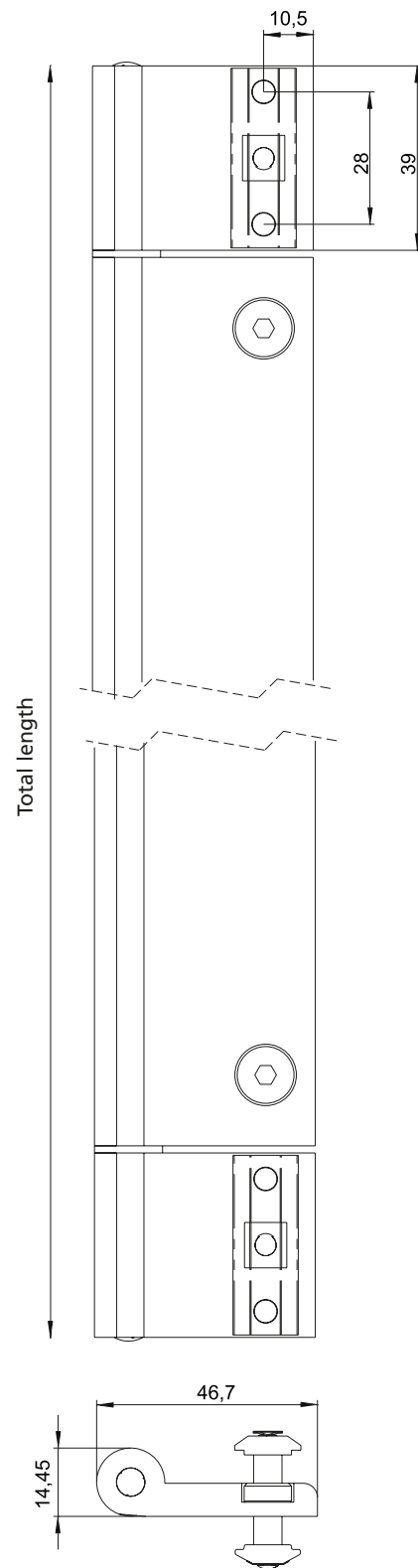
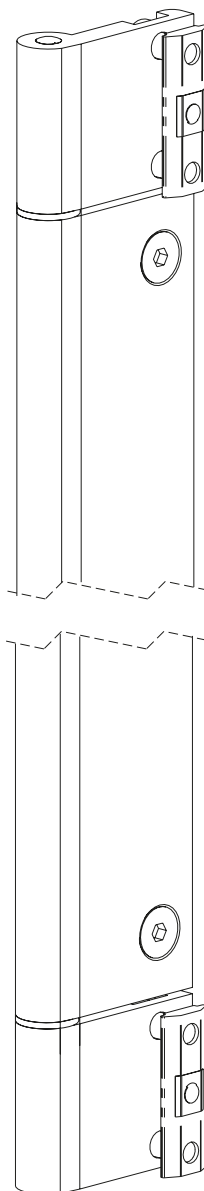
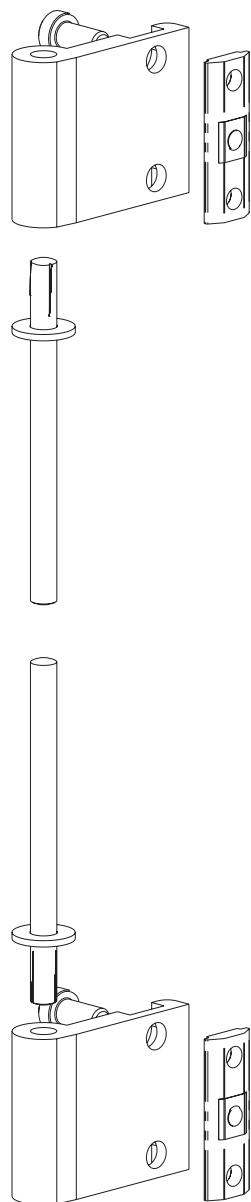
# Accessories

## Piano hinge

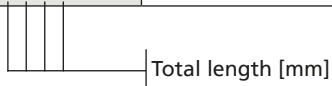
- Variable in length
- Taylor-made orderable

**Material:**  
aluminium clear anodized  
sliding disks plastic  
dowel pins, galvanised steel

**Includes:**  
complete with fixing set



Code No.	Type	length	Max. length	Slot geometry
4010627	Band hinge complete	200	2500	40





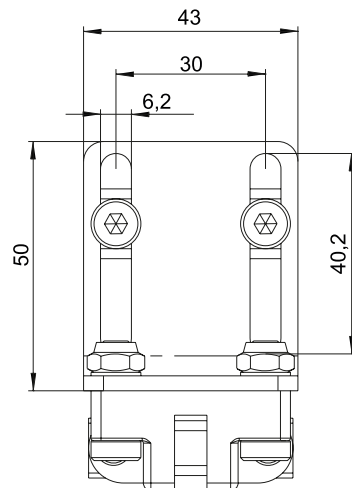
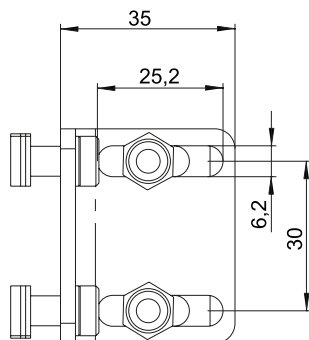
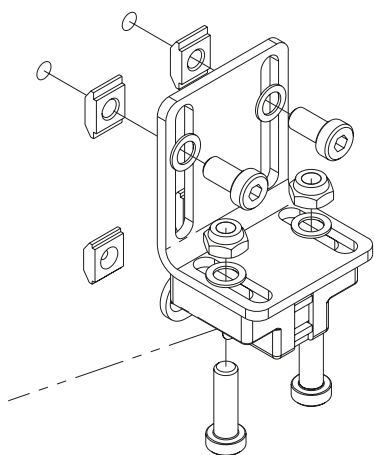
## Functional profiles

# Accessories

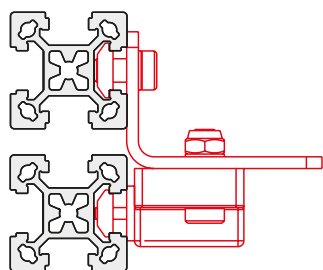
### Magnetic lock universal

- Suitable from profile size 30 for all assembly versions
- Holding force 10/20 N depends on mounting direction

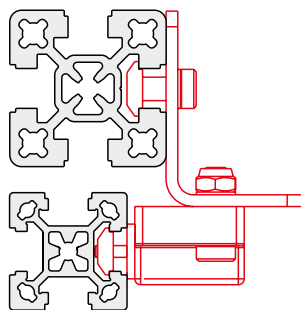
**Material:**  
polyamide glasfibre reinforced  
steel parts zincplated



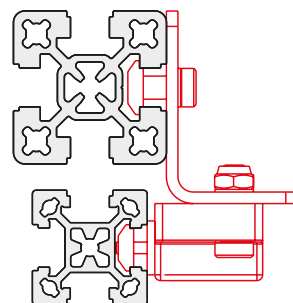
#### • Assembly versions



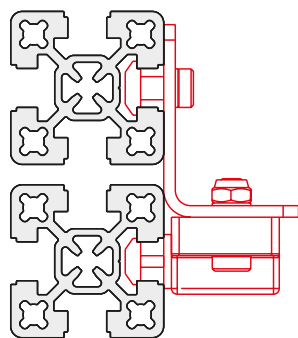
30 to 30 - Profile



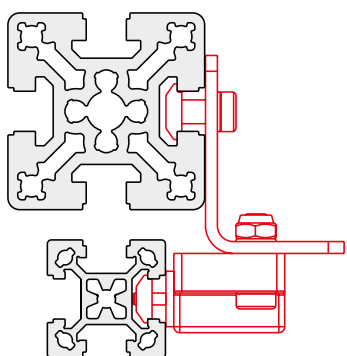
30 to 40 - Profile flush



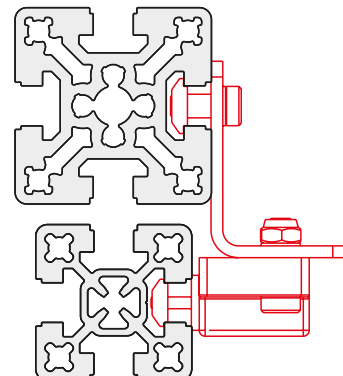
30 to 40 - Profile centred



40 to 40 - Profile



30 to 50 - Profile centred



40 to 50 - Profile centred

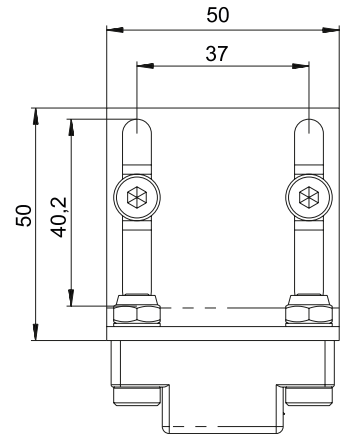
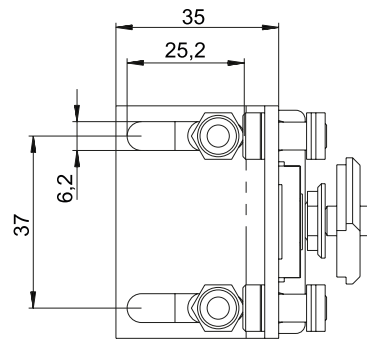
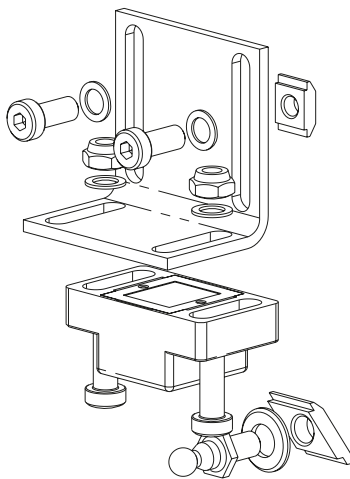
Code No.	Type	Slot geom.
4010625	Magnetic lock universal with fixing set	30/40
4010626	Magnetic lock universal without fixing set	—



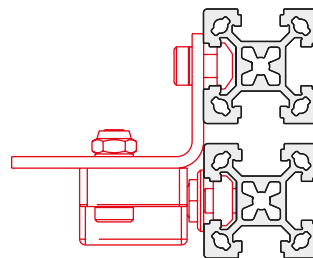
### Ball catch universal

- Suitable from profile size 30 for all assembly versions
- Holding force 50 N

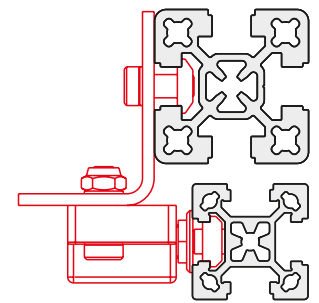
**Material:**  
polyamide glasfibre reinforced  
steel parts zinplated



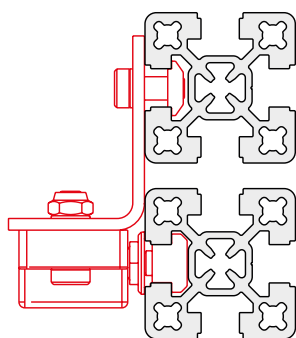
- Assembly versions



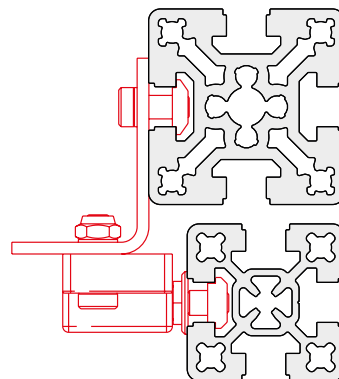
30 to 30 - Profile



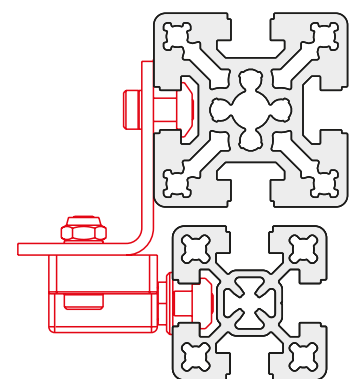
30 to 40 - Profile flush



40 to 40 - Profile



40 to 50 - Profile flush



40 to 50 - Profile centred

Code No.	Type	Slot geom.
4010630	Ball catch universal with fixing set	30/40
4010631	Ball catch universal without fixing set	—

## Functional profiles

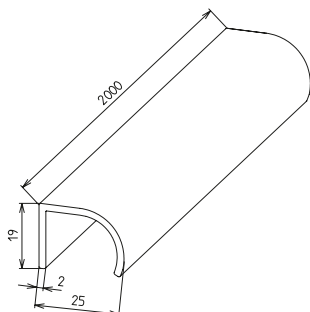
# Accessories

### Handle profile



- The stylish handle profile is available in bars that can be cut to length if required. Fitting holes are to be bored by the customer.

**Material:** Aluminium



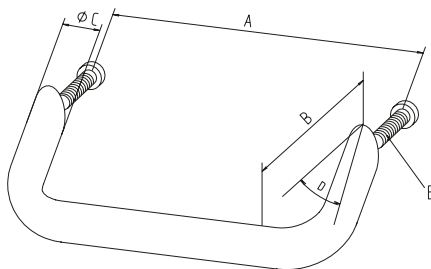
Code No.	Type
4015595	Handle profile, bar 2000 mm

### Handle



- Complete with fastenings

**Material:** Aluminium, powder-coated RAL 9006, Galvanised fixation set



[mm]

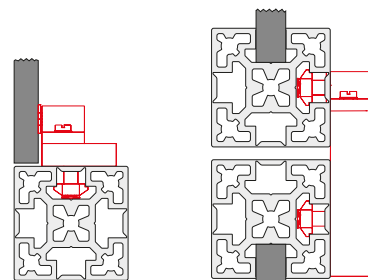
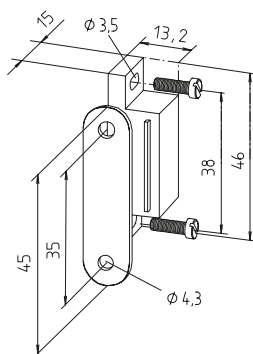
Code No.	Type	A	B	C	D	E
4015599	Handle	128	50	20	35°	M6x40

### Magnetic lock



- Magnetic lock complete with holder and fixation set.

**Material:** Plastic, galvanised steel parts, aluminium holder, stainless steel fixation set



Type 1: without frame / Type 2: profiles central

Code No.	Type
4010605	1. without frame
4010604	2. profiles central



**Order instruction:**

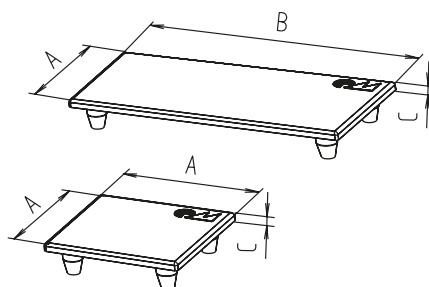
- Purchase only in lot sizes and a multiple of that see product table below

**Cover cap**



- Plastic cover cap for end covering of G-profiles.

**Material:** Plastic, RAL9006



[mm]

Code No.	Type	lot sizes	A	B	C
4B68421	4G-40x40	10, 20, 30... pcs	40	40	3
4B78421	4G-40x80	10, 20, 30... pcs	40	80	3

**Cover caps**



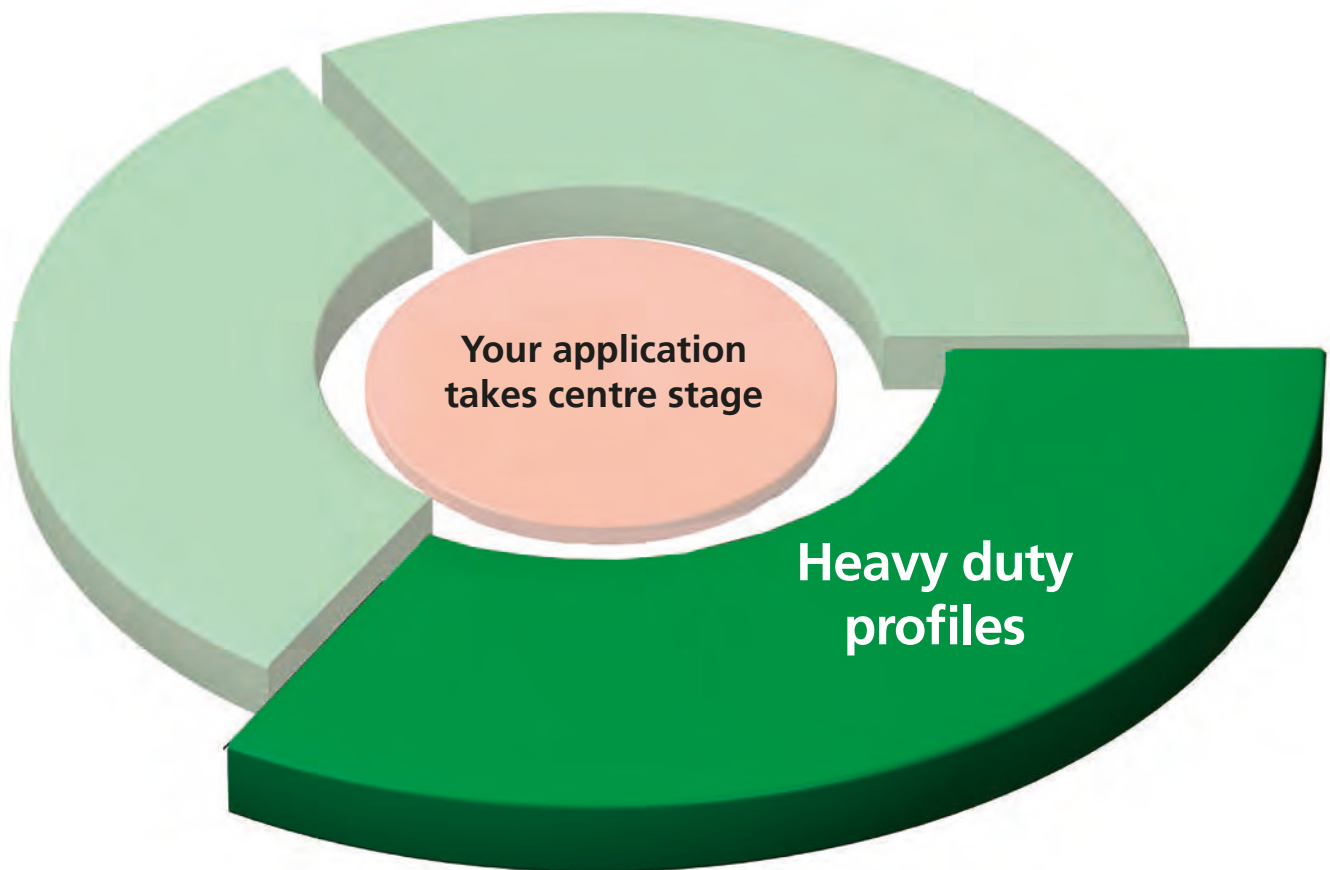
- The screw heads and drill bores of the accessories are covered with caps. If necessary, they can be re-ordered as a pack.

**Material:** Plastic RAL 9006

Code No.	Type	lot sizes
4B685001	Hidden screw	100, 200, 300... pcs
4B685011	Cylinder screw	100, 200, 300... pcs
40185031	Hinges	100, 200, 300... pcs
4B685021	G-connector	100, 200, 300... pcs

## Heavy duty profiles

# Heavy loads with maximum stability



### Features:

- Highly dynamic
- Large structures
- Easily transportable





## Heavy loads with maximum stability

Profile general overview ..... p. 378

Heavy duty profiles ..... S. 380

Connection techniques ..... p. 386

Accessories ..... p. 396

Heavy duty profiles

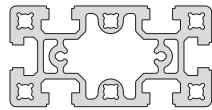
# Heavy duty profile overview

Heavy duty profiles sizes

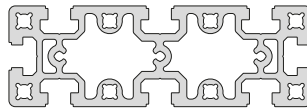
80



**D-80x80**  
p. 380

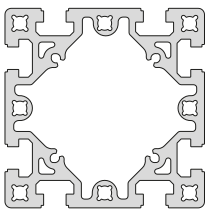


**D-80x160**  
p. 380

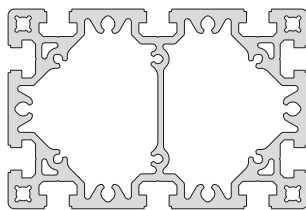


**D-80x240**  
p. 381

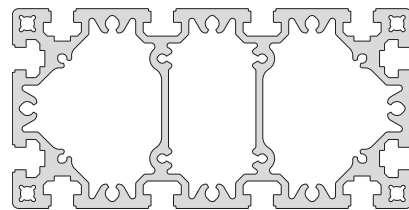
160



**D-160x160**  
p. 381



**D-160x240**  
p. 382



**D-160x320**  
p. 383

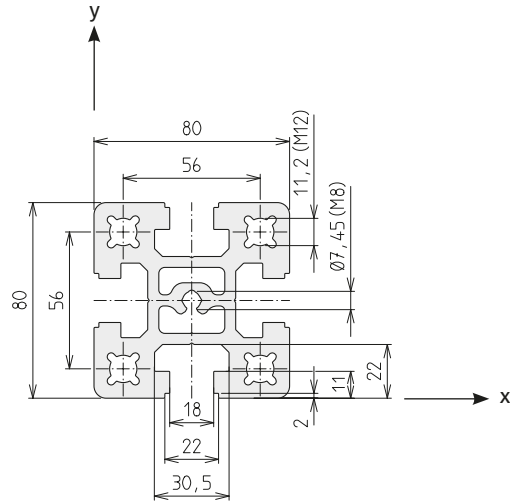
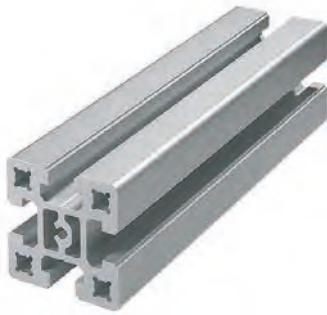


<b>Profiles</b>	Overview ..... p. 378
	Size 80 + 160 ..... p. 380 - 383
<b>Connection techniques</b>	Press mount connector load data ..... p. 384
	Right-angle connections ..... p. 388
	Cross connections ..... p. 392
	Angle connections ..... p. 394
	Face-to-face and parallel connections ..... p. 395
<b>Accessories</b>	Slot stones ..... from p. 398
	Profile covers ..... from p. 402
	Feet ..... from p. 404
	Connecting plates ..... from p. 406

Heavy duty profiles


# Heavy duty profiles / size 80

## D-80x80

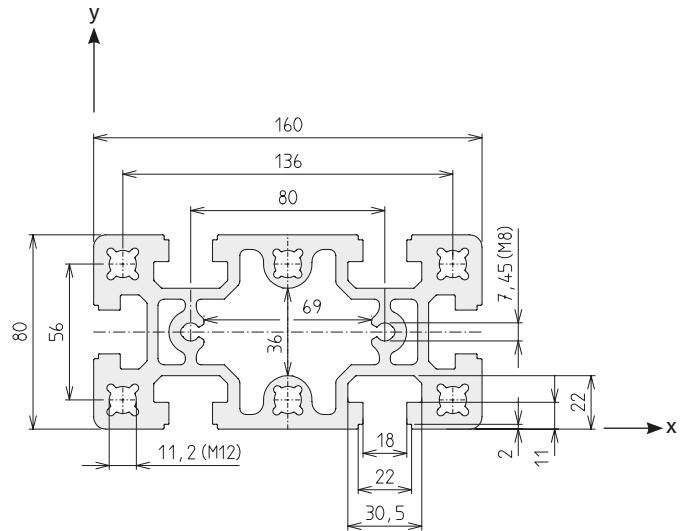
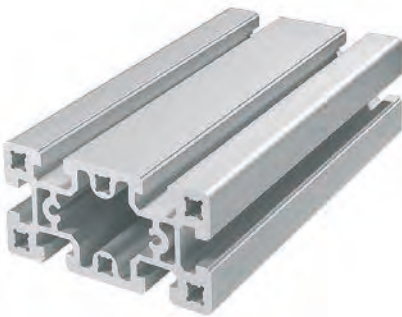


Code No. Profile D-80x80			Anodised
4C45000	Cut to size	max. 6000 mm	Clear
4C45001	Bar	6000 mm	Clear

Area	3200	mm <sup>2</sup>
$I_x$	198.0	cm <sup>4</sup>
$I_y$	199.3	cm <sup>4</sup>
$I_t$	44.9	cm <sup>4</sup>
$W_x$	49.6	cm <sup>3</sup>
$W_y$	49.8	cm <sup>3</sup>
Weight	8581	g/m

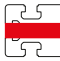
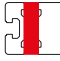
Connection	Quantity required per conn.	Slot geometry	Press mount connector	Code No. /unit
 Press mount connector long.+transverse	1	D	-N- 80	4C16701

## D-80x160

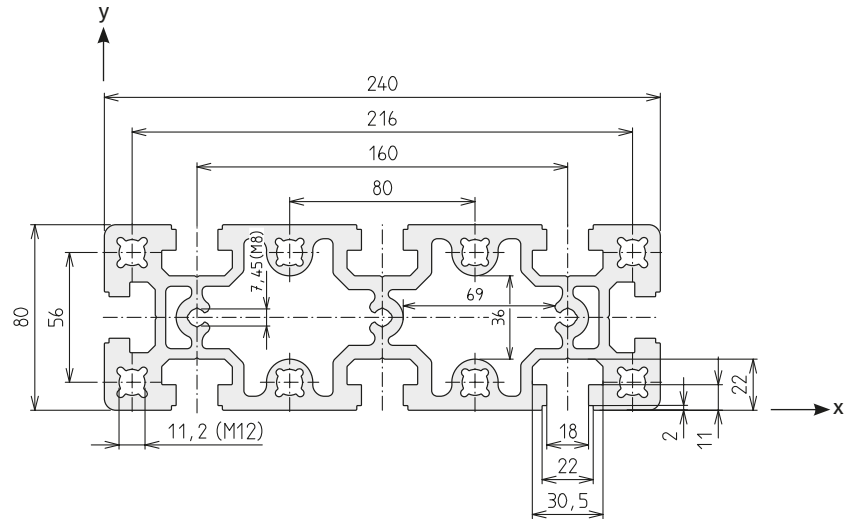
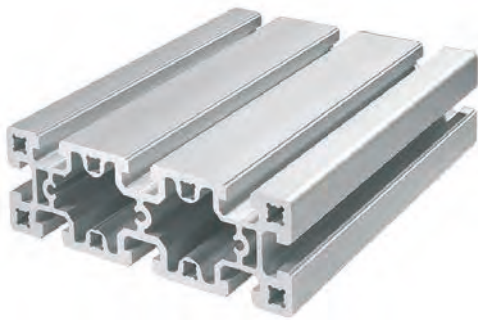


Code No. Profile D-80x160			Anodised
4C15000	Cut to size	max. 6000 mm	Clear
4C15001	Bar	6000 mm	Clear

Area	5212	mm <sup>2</sup>
$I_x$	367.5	cm <sup>4</sup>
$I_y$	1397.0	cm <sup>4</sup>
$I_t$	251.8	cm <sup>4</sup>
$W_x$	91.6	cm <sup>3</sup>
$W_y$	174.6	cm <sup>3</sup>
Weight	14073	g/m

Connection	Quantity required per conn.	Slot geometry	Press mount connector	Code No. /unit
 long.	1	D	-N- 160	4C16700
 transverse	2		-N- 80	4C16701

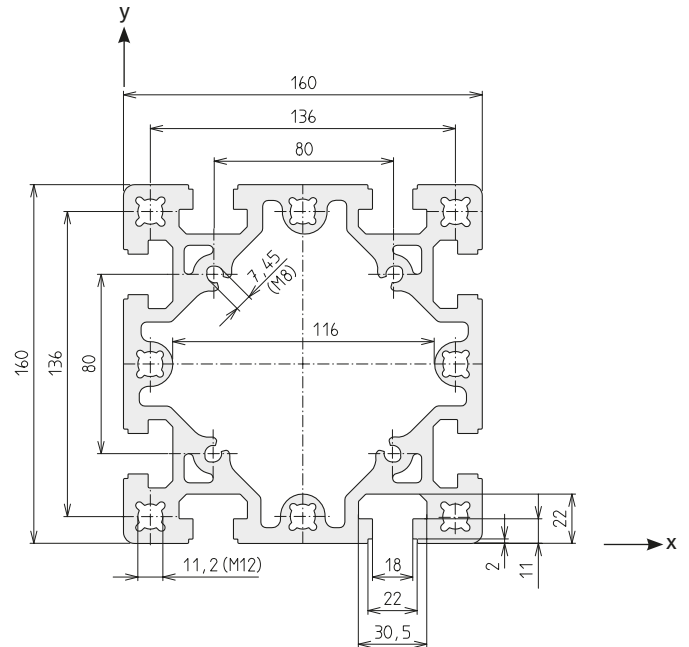
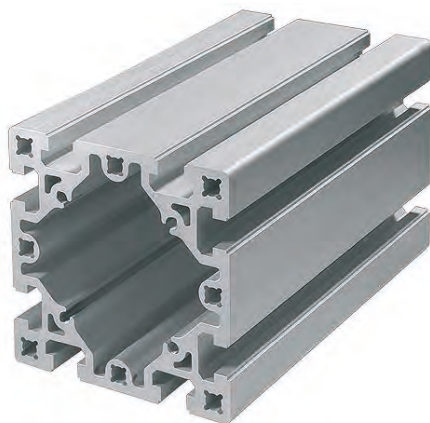
Note: Holes are designed as self-tapping screw channels (M8/M12)

**D-80x240**


Code No. Profile D-80x240			Anodised
4C55000	Cut to size	max. 6000 mm	Clear
4C55001	Bar	6000 mm	Clear

Area	7422	mm <sup>2</sup>
I <sub>x</sub>	540.8	cm <sup>4</sup>
I <sub>y</sub>	4268.2	cm <sup>4</sup>
I <sub>t</sub>	503.0	cm <sup>4</sup>
W <sub>x</sub>	135.2	cm <sup>3</sup>
W <sub>y</sub>	355.7	cm <sup>3</sup>
Weight	20015	g/m

Connection	Quantity required per conn.	Slot geometry	Press mount connector	Code No. / unit
long.	1	D	-N- 240	4C56700
transverse	3		-N- 80	4C16701

**D-160x160**


Code No. Profile D-160x160			Anodised
4C25000	Cut to size	max. 6200 mm	Clear
4C25001	Bar	6300 mm	Clear

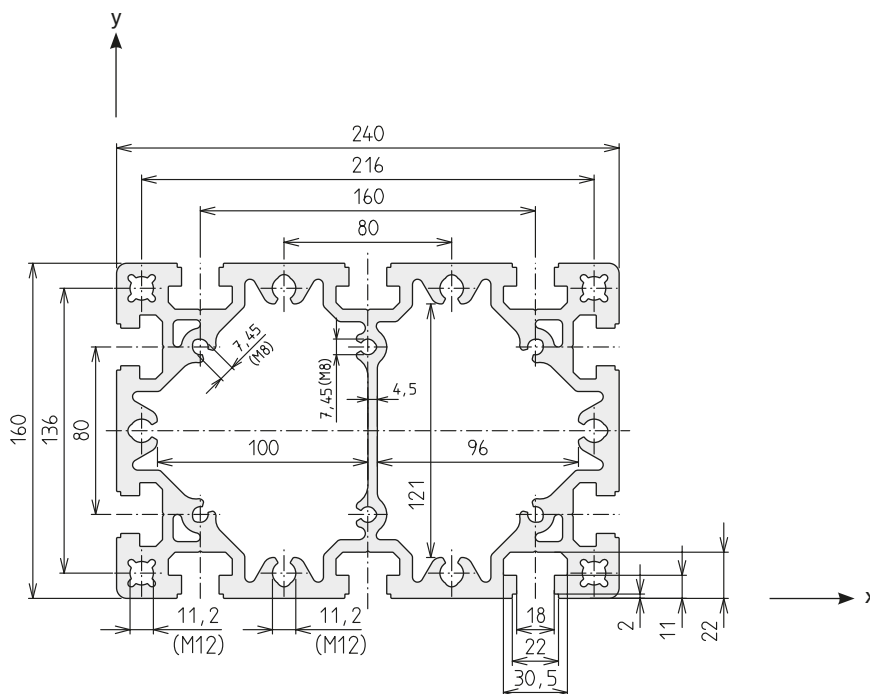
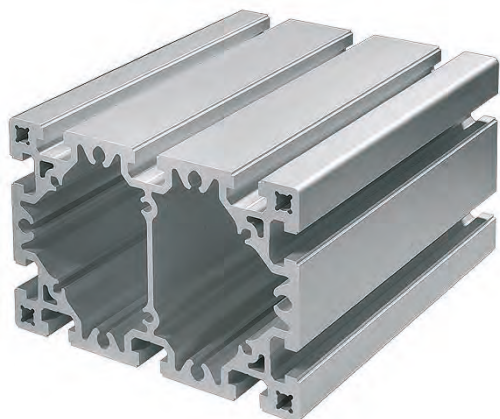
Area	8131	mm <sup>2</sup>
I <sub>x</sub>	2493.6	cm <sup>4</sup>
I <sub>y</sub>	2493.6	cm <sup>4</sup>
I <sub>t</sub>	1524.0	cm <sup>4</sup>
W <sub>x</sub>	311.7	cm <sup>3</sup>
W <sub>y</sub>	311.7	cm <sup>3</sup>
Weight	21955	g/m

Connection	Quantity required per conn.	Slot geometry	Press mount connector	Code No. / unit
long.	2	D	-N- 160	4C16700
transverse				

Heavy duty profiles

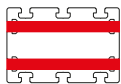

# Heavy duty profiles / size 160

D-160x240



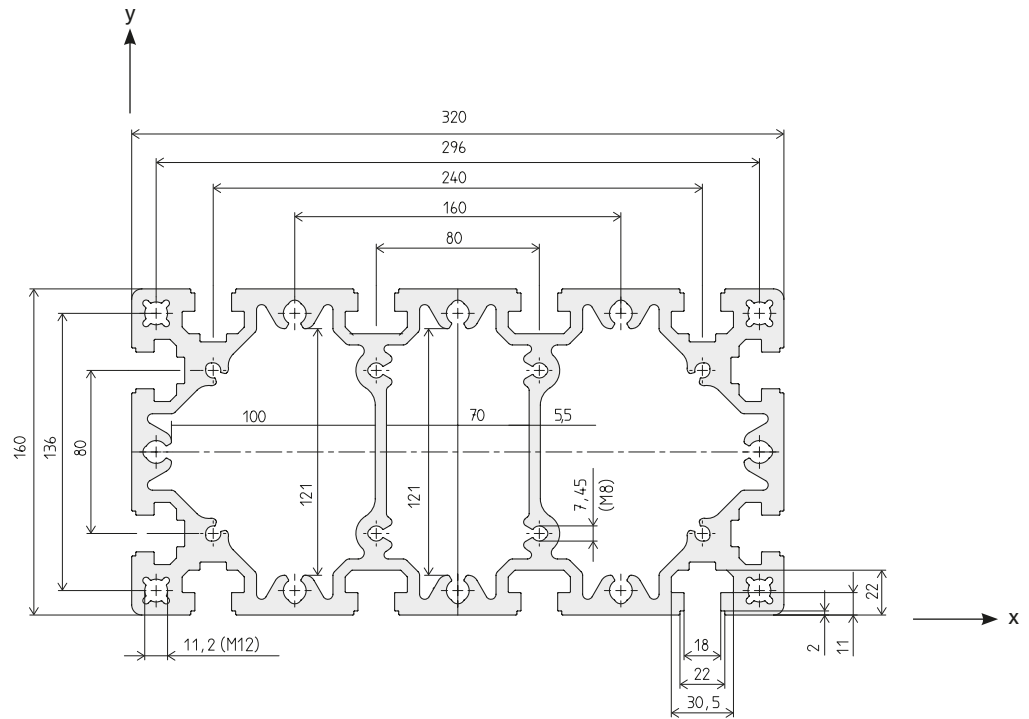
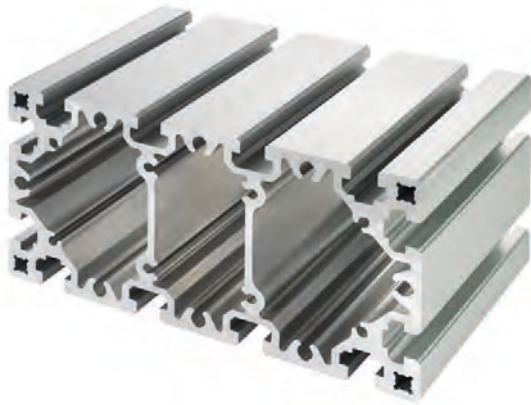
Code No. Profile D-160x240			Anodised
4C65000	Cut to size	max. 6000 mm	Clear
4C65001	Bar	6000 mm	Clear

Area	10986	mm <sup>2</sup>
I <sub>x</sub>	3601.5	cm <sup>4</sup>
I <sub>y</sub>	7333.4	cm <sup>4</sup>
I <sub>t</sub>	2980.8	cm <sup>4</sup>
W <sub>x</sub>	450.2	cm <sup>3</sup>
W <sub>y</sub>	611.1	cm <sup>3</sup>
Weight	29647	g/m

Connection	Quantity required per conn.	Slot geometry	Press mount connector	Code No. /unit
 long.	2	D	-N- 240	4C56700
 transverse	3		-N- 160	4C16700

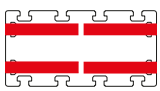
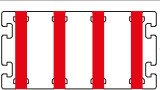


D-160x320



Code No. Profile D-160x320			Anodised
4C35000	Cut to size	max. 6200 mm	Clear
4C35001	Bar	6300 mm	Clear

Area	13671	mm <sup>2</sup>
I <sub>x</sub>	4656.0	cm <sup>4</sup>
I <sub>y</sub>	15618.3	cm <sup>4</sup>
I <sub>t</sub>	4489.5	cm <sup>4</sup>
W <sub>x</sub>	582.0	cm <sup>3</sup>
W <sub>y</sub>	976.1	cm <sup>3</sup>
Weight	36912	g/m

Connection	Quantity required per conn.	Slot geometry	Press mount connector	Code No. /unit
 long.	4	D	-N- 160/320	4C36700
 transverse	4		-N- 160	4C16700

Note: Holes are designed as self-tapping screw channels (M8/M12)

## Heavy duty profiles

# Technical data

### D-profiles with press mount connector -static-



Press mount connector -N-



Press mount connector -R-

Press mount connectors	Version	Profile	Weight	
1x	Press mount connector Type -N-	80x80	0.30 kg	
1x		80x160 (long.)	0.52 kg	
2x		80x160 (trans.)	0.60 kg	
1x		80x240 (long.)	0.73 kg	
3x		80x240 (trans.)	0.90 kg	
2x		160x160	1.04 kg	
2x		160x240 (long.)	1.46 kg	
3x		160x240 (trans.)	1.56 kg	
4x		160x320 (long.)	2.08 kg	
4x		160x320 (trans.)	2.08 kg	
1x		Press mount connector Type -R-	80x80	0.25 kg
1x			80x160 (long.)	0.48 kg
2x	80x160 (trans.)		0.50 kg	
1x	80x240 (long.)		0.69 kg	
3x	80x240 (trans.)		0.75 kg	
2x	160x160		0.96 kg	
2x	160x240 (long.)		1.38 kg	
3x	160x240 (trans.)		1.44 kg	
4x	160x320 (long.)		1.92 kg	
4x	160x320 (trans.)		1.92 kg	



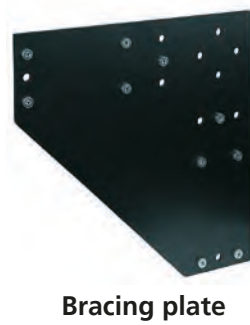
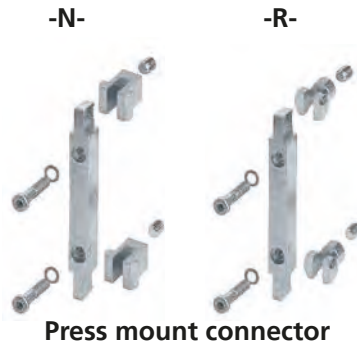


Heavy duty profiles

# Connection techniques

## Versions

### Right-angle connections



---

### Cross connections



---

### Angle connections



### Face-to-face and parallel connections





# Table of contents

## Connection techniques

### Right-angle connections

Press mount connector ..... from p. 388

Angle bracket..... from p. 390

Bracing plate ..... from p. 391

Corner connecting plate..... from p. 391

### Cross connections

Keyed clamp connector -Q- ..... from p. 392

### Angle connections

Frame joint ..... from p. 394

### Face-to-face and parallel connections

Keyed clamp connector -P- ..... from p. 395

Connecting plate..... from p. 395

## Heavy duty profiles

# Right-angle connections

### Press mount connector

- Simple, cost-effective and high-strength profile connection
- No profile machining necessary
- Can be disconnected at any time and reused
- Minimal effort required in construction

**Material:**  
Galvanised steel

**Includes:**  
The Order No. includes one press mount connector. Depending on the orientation of the connection (longitudinal or transverse), the appropriate number of press mount connectors must be ordered. Please note the information and the connection pictograms in the profile data on page 380– 383.

### Type -N-



Code No.	Type	Weight	For profile (quantity required per connection)
4C16701	-N-80	0.30 kg	80x80 (1x), 80x160 (2x), 80x240 (3x)
4C16700	-N-160	0.52 kg	80x160 (1x), 160x160 (2x), 160x240 (3x), 160x320 (4x)
4C36700	-N-160/320	0.52 kg	160x320 (4x)
4C56700	-N-240	0.73 kg	80x240 (1x), 160x240 (2x)

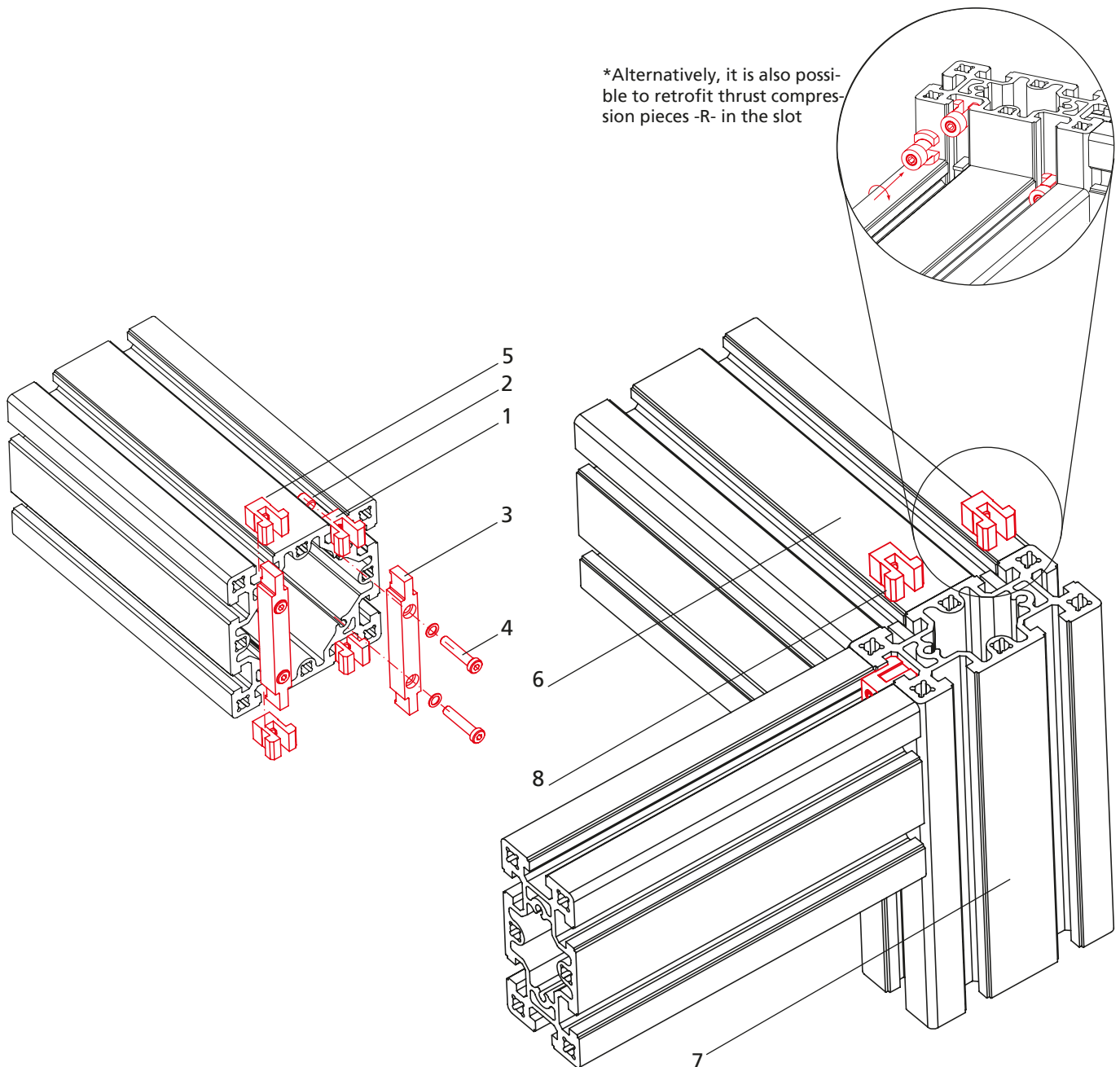
### Type -R-



Code No.	Type	Weight	For profile (quantity required per connection)
4C16711	-R-80	0.25 kg	80x80 (1x), 80x160 (2x), 80x240 (3x)
4C16710	-R-160	0.48 kg	80x160 (1x), 160x160 (2x), 160x240 (3x), 160x320 (4x)
4C36710	-R-160/320	0.48 kg	160x320 (4x)
4C56710	-R-240	0.69 kg	80x240 (1x), 160x240 (2x)

## Assembly steps (press mount connector -N-)

1. Screw set screw M10 (2) into thrust compression piece -N- (1)
2. Place the thrust compression piece -N- (1) into the profile for the connection strip (3) as an assembly aid
3. Align the connection strip (3) and fix it in the screw channel with M8 socket head cap screws (4). It is recommended to create the thread with a thread forming tap. Tighten it just until the connector is fixed, max. 5 Nm. However, oiled screws can be screwed directly into the profile.
4. Remove the thrust compression pieces (5) and push them into the slot(s) of the profile to be fixed\*
5. Insert the profile with the connection strips (6) into the profile with the thrust compression pieces (7)
6. Push the thrust compression pieces (8) into the connection strip
7. Tighten the set screws M10 (2) to 25 Nm (Type -N- and -R- 80 to 12 Nm)



## Heavy duty profiles

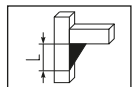
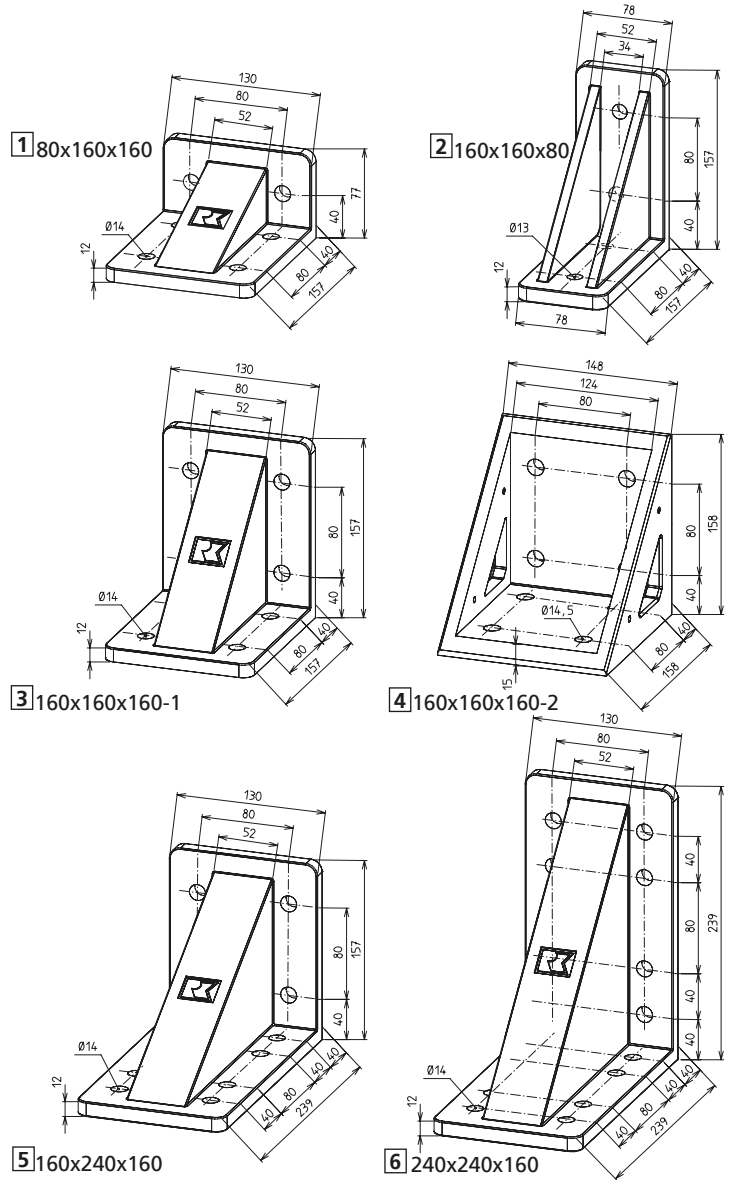
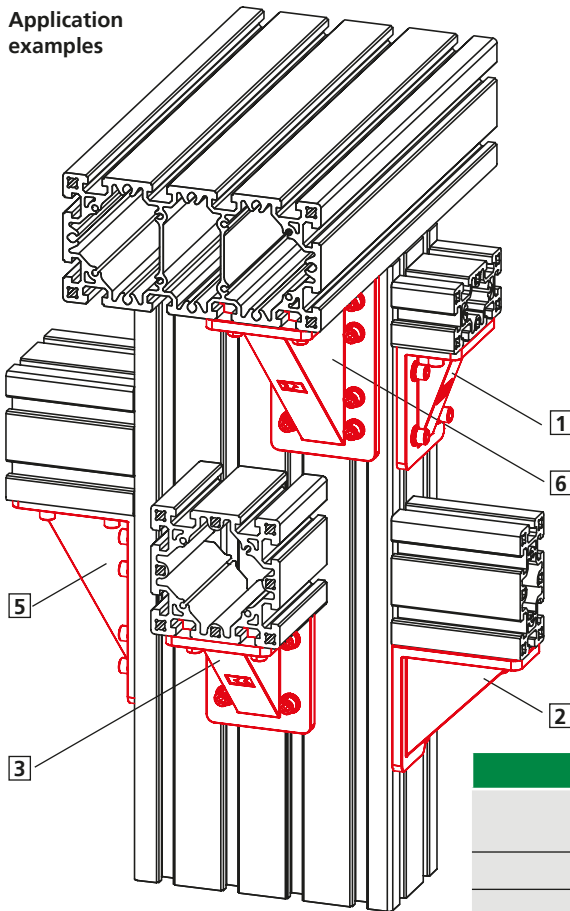
# Right-angle connections

## Angle bracket

**Material:** Gravity die-cast aluminium, black powder-coated  
**Angle tolerance:**  $\pm 5^\circ$



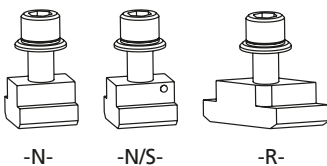
### Application examples



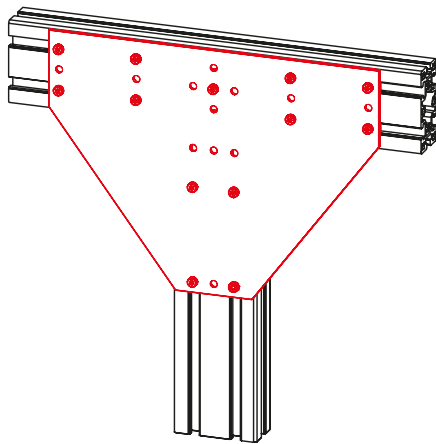
Code No.	Type	Weight	L [mm]
4C12100	80x160x160	1.0 kg	80
			160
4C22100	160x160x80	1.2 kg	160
4C22101	160x160x160-1	1.5 kg	160
4C22102	160x160x160-2	2.1 kg	160
4C22103	160x240x160	2.1 kg	160
			240
4C22104	240x240x160	2.8 kg	240

### Fixing sets for angle bracket (one screw with slot stone and washer)

Code No.	Type	Weight
4C16200	M12x30, slot stone -N-	0.14 kg
4C16201	M12x30, slot stone -N/S-	0.14 kg
4C16202	M12x30, slot stone -R-	0.13 kg



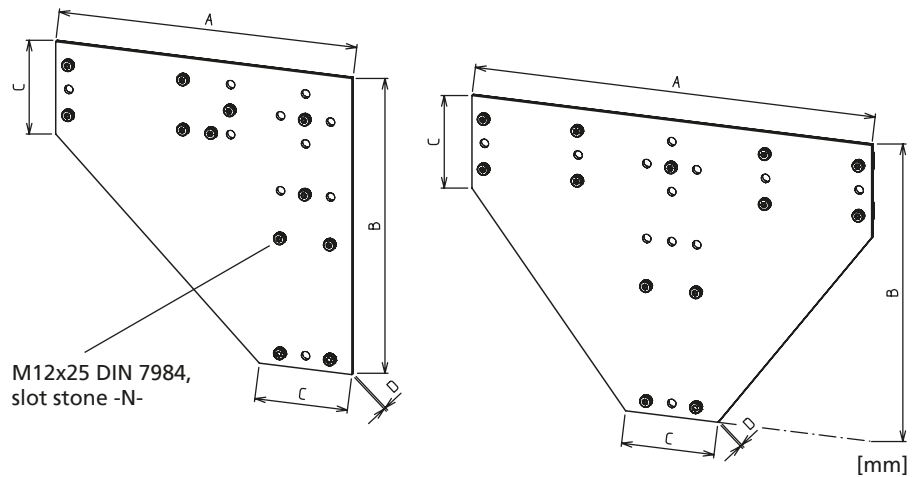
### Bracing plate



- The bracing plates are for the superficial bracing of a profile connection.

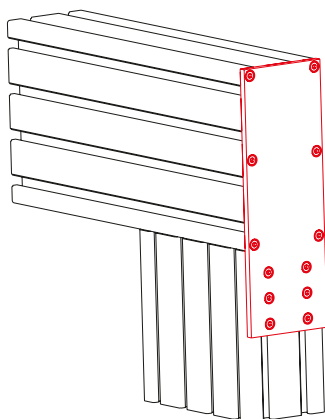
**Material:**  
Black powder-coated steel

**Includes:** Complete with fastenings



Code No.	Type	A	B	C	D	Weight
4C12110	-L-	474	474	148	6	9.3 kg
4C12111	-T-	640	474	148	6	12.0 kg

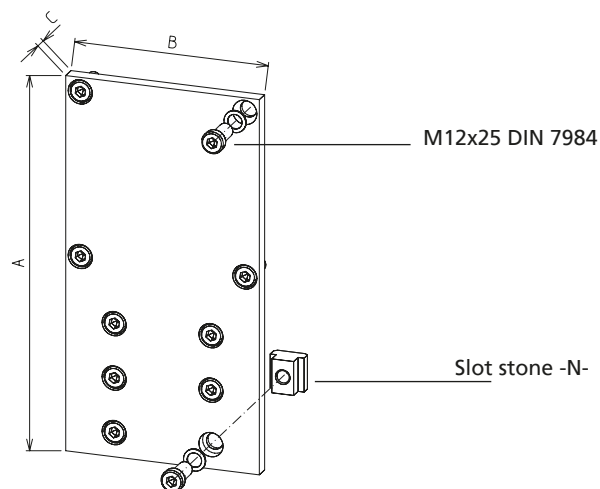
### Corner connecting plate



- The corner connecting plate is for supporting the press mount connectors (e.g. relieving high tensile loads).

**Material:**  
Black powder-coated steel

**Includes:** Complete with fastenings



Code No.	Type	A	B	C	Weight
4C22400	160x160	310	160	12	5.3 kg
4C22401	160x320	470	160	12	7.7 kg

## Heavy duty profiles

# Cross connections

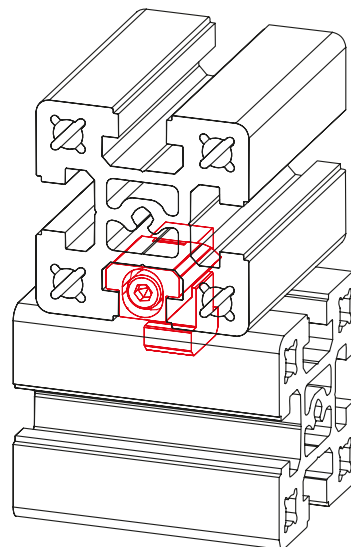
### Keyed clamp connector -Q-



- Simple realisation of cross connections
- No profile machining necessary

**Material:**  
Galvanised steel

**Includes:**  
Complete fixing set for one connection



[mm]

Code No.	Type	Weight
4C16501	Keyed clamp connector -Q-	0.22 kg





## Heavy duty profiles

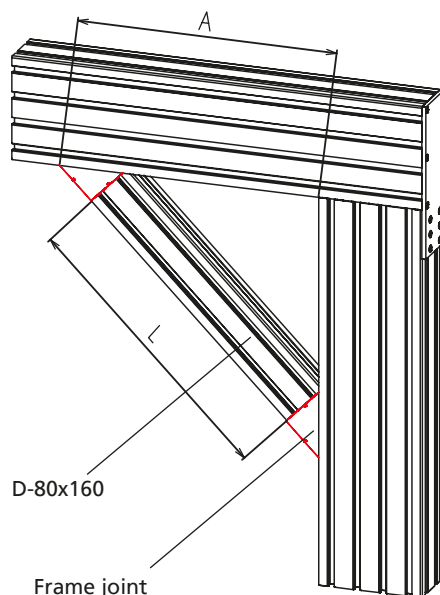
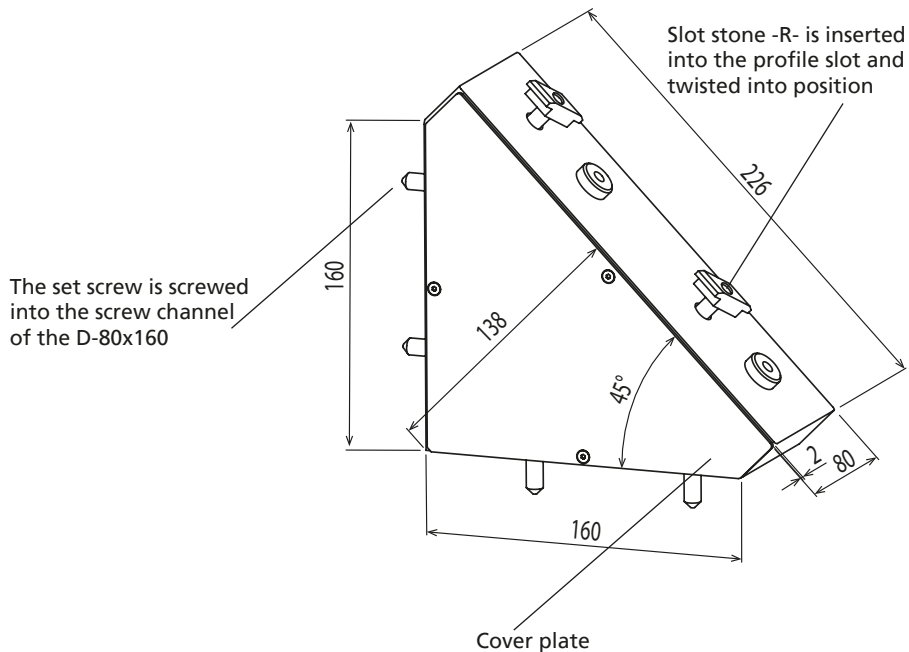
# Angle connections

### Frame joint

- For supporting a structure at a 45° angle under high loads

Material: Black powder-coated gravity die-cast aluminium

**Includes:** One complete frame joint with fastenings  
2 cover plates with fastenings available as an accessory



Cut to size D-80x160:  
L = (A : 0.707) - 355

[mm]

Code No.	Type	Weight
4C12105	Frame joint 45°	1.8 kg
4C12106	Two cover plates	0.6 kg



# Face-to-face and parallel connections

**RK ROSE+KRIEGER**

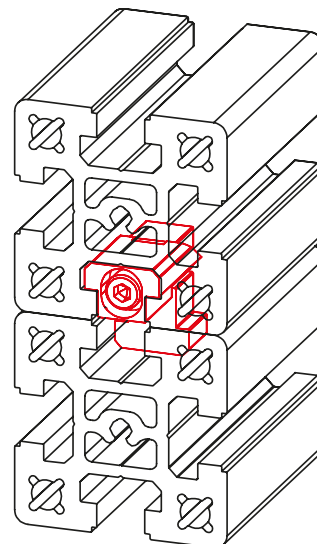
## Keyed clamp connector -P-



- For parallel flange mounting of profiles
- No profile machining necessary

**Material:**  
Galvanised steel

**Includes:**  
Complete fixing set for one connection



[mm]

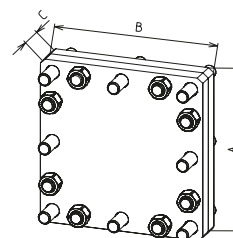
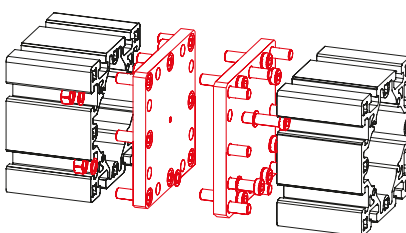
Code No.	Type	Weight
4C16502	Keyed clamp connector -P-	0.22 kg

## Connecting plate

- For the flange connection of profile ends
- For extending profiles and extending existing structures

**Material:**  
Galvanised steel

**Includes:**  
Complete fixing set for one connection



[mm]

Code No.	Type	A	B	C	Weight
4C46410	80x80	80	160	30	1.7 kg
4C16410	80x160	80	160	30	3.3 kg
4C56410	80x240	80	240	30	4.9 kg

[mm]

Code No.	Type	A	B	C	Weight
4C16411	160x160	160	160	30	6.5 kg
4C66410	160x240	160	240	40	14.3 kg
4C16412	160x320	160	320	40	16.6 kg

Heavy duty profiles

# Accessories

## Versions



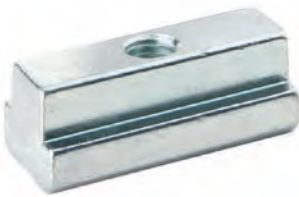
Adapter slot stone



Slot stone -N-



Slot stone -N/S-



Slot stone -N/L-



Slot stone -R-



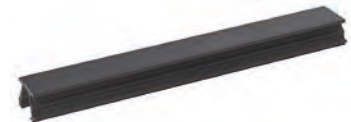
Slot stone -VF-



Slot stone -RF-



Cover plate



Cover profile



Levelling foot



Levelling foot with fixing bracket



Connecting plate for feet



Base plate



# Table of contents

## Accessories

### Slot stones

Adapter slot stone .....	p. 398
Slot stone -N- .....	p. 398
Slot stone -N/S- .....	p. 399
Slot stone -N/L- .....	p. 399
Slot stone -R- .....	p. 400
Slot stone -VF- .....	p. 400
Slot stone -RF-.....	p. 401

### Profile covers

Cover plate .....	p. 402
Cover profile.....	p. 403

### Feet

Levelling foot .....	p. 404
Levelling foot with fixing bracket.....	p. 405

### Connecting plates

Connecting plate for feet.....	p. 406
Base plate .....	p. 407

## Heavy duty profiles

# Slot stones

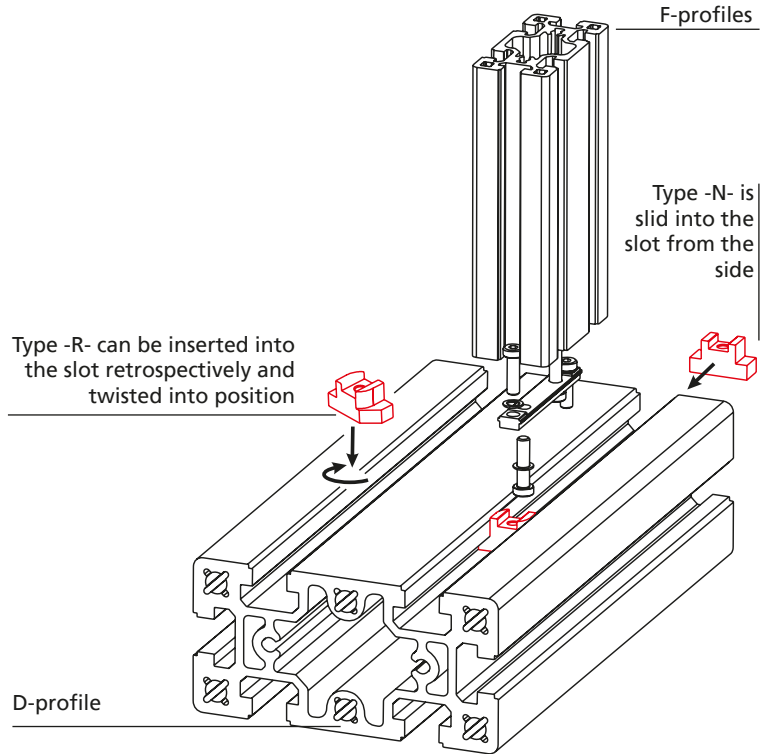
### Adapter slot stone



- For connecting the elements of the profile assembly system with the 10 mm-wide slot to the D-profiles with the 18 mm-wide slot.

**Material:**  
Galvanised steel

**Includes:**  
1 adapter slot stone



\*Slot 18 mm = D-profiles  
Slot 10 mm = F-profiles

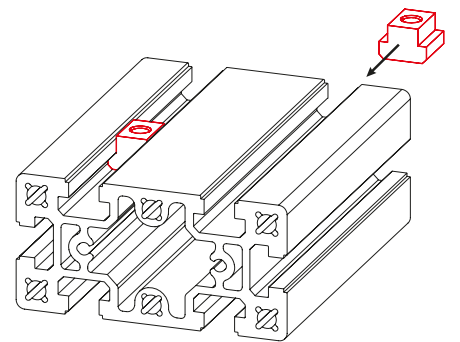
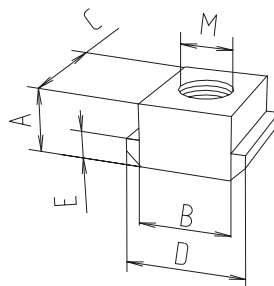
Code No.	Type	Version
4C12201	-N-	Slot 18 to 10 mm*
4C12202	-R-	Slot 18 to 10 mm*

### Slot stone -N- (similar to DIN 508)



- For fixing accessories to a profile.
- This slot stone should be slid into place before assembly.

**Material:**  
Galvanised steel  
Strength class 8



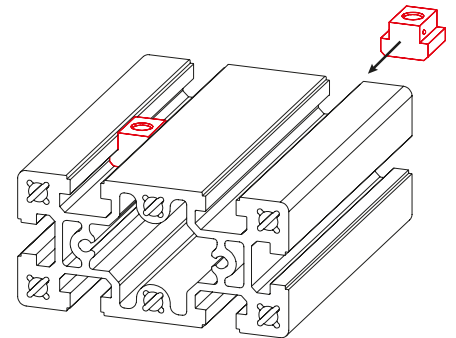
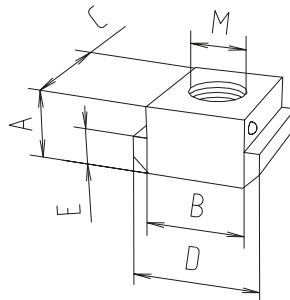
Code No.	Type	A	B -0.3/-0.6	C	D	E	M	Weight
4C12203	M8	18.5	18	28	28	10	M8	0.1 kg
4C12204	M10	18.5	18	28	28	10	M10	0.1 kg
4C12205	M12	18.5	18	28	28	10	M12	0.1 kg

[mm]

**Slot stone -N/S-  
(similar to DIN 508)**

- Same geometry and function as slot stone -N-
- A spring clip prevents the slot stone from slipping
- For easier attachment mounting

**Material:**  
Galvanised steel  
Strength class 8

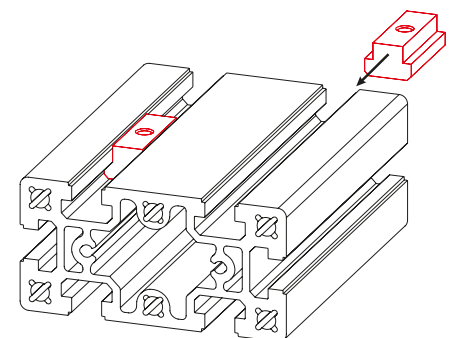
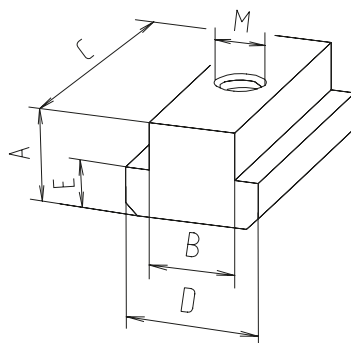
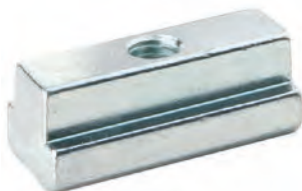


Code No.	Type	A	B -0.3/-0.6	C	D	E	M	Weight
4C12206	M8	18.5	18	28	28	10	M8	0.1 kg
4C12207	M10	18.5	18	28	28	10	M10	0.1 kg
4C12208	M12	18.5	18	28	28	10	M12	0.1 kg

**Slot stone -N/L-  
(similar to DIN 508)**

- Same geometry and function as slot stone -N-
- Higher perm. force due to the longer version

**Material:**  
Galvanised steel  
Strength class 8



Code No.	Type	A	B -0.3/-0.6	C	D	E	M	Weight
4C12209	M10	18.5	18	56	28	10	M10	0.2 kg
4C12210	M12	18.5	18	56	28	10	M12	0.2 kg

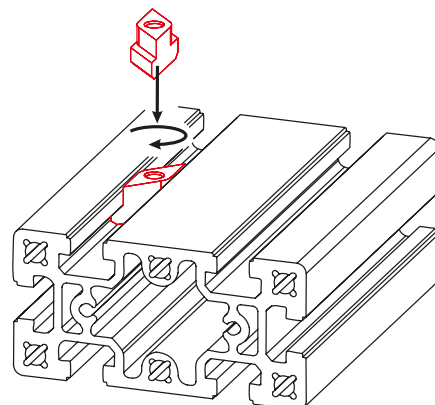
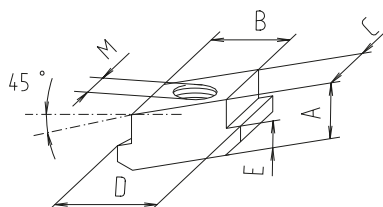
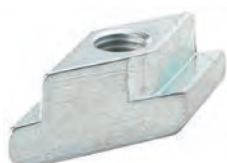
## Heavy duty profiles

### Slot stones

#### Stone stone -R-

- The slot stone is inserted anywhere in the profile slot
- The action of tightening the slot stone turns it into its final clamping position

Material:  
Galvanised steel  
Strength class 8

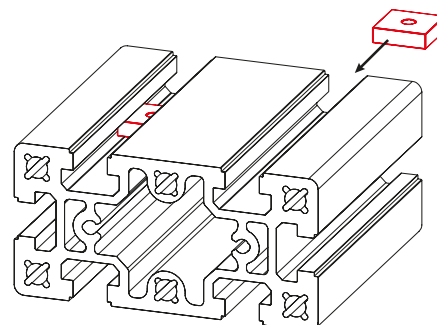
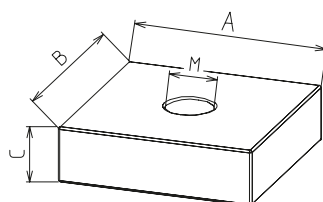
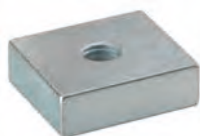


Code No.	Type	A	B -0.3/-0.6	C	D	E	M	Weight
4C12211	M8	18.5	18	18	28	10	M8	0.1 kg
4C12212	M10	18.5	18	18	28	10	M10	0.1 kg
4C12213	M12	18.5	18	18	28	10	M12	0.1 kg

#### Slot stone -VF-

- For fixing attachments under low loads
- Slid into the profile slot from the side

Material: Galvanised steel



Code No.	Type	A	B	C	M	Weight
4C16204	M6	28	28	8	M6	0.05 kg
4C16203	M8	28	28	8	M8	0.04 kg

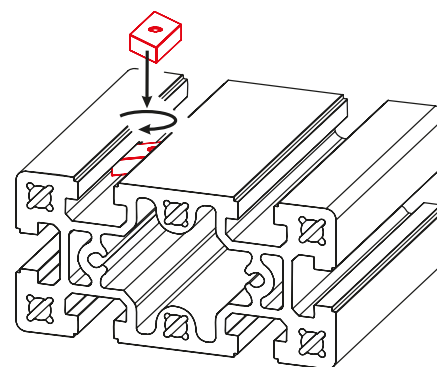
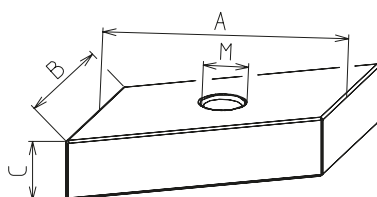




### Slot stone -RF-

- For fixing attachments under low loads
- The slot stone is inserted anywhere in the profile slot
- The action of tightening the slot stone turns it into its final clamping position

**Material:**  
Galvanised steel



Code No.	Type	A	B	C	M	Weight
4C16205	M6	28	18	8	M6	0.04 kg
4C16206	M8	28	18	8	M8	0.04 kg

[mm]

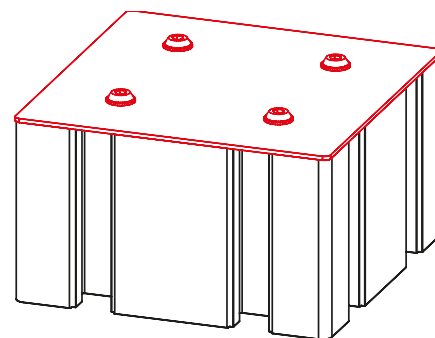
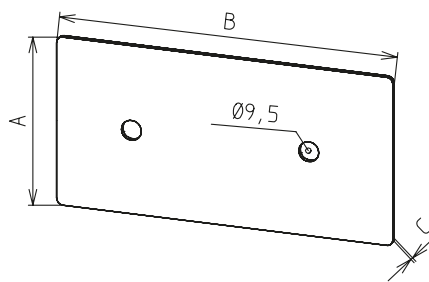
## Heavy duty profiles

# Profile covers

### Cover plates

- For covering the profile ends
- Fixed with socket head button screws

**Material:**  
Black powder-coated  
galvanised steel



Code No.	Type	A	B	C	Weight
4C42410	80x80	80	80	2	0.1 kg
4C12410	80x160	80	160	2	0.2 kg
4C52410	80x240	80	240	2	0.3 kg
4C22410	160x160	160	160	2	0.4 kg
4C62410	160x240	160	240	2	0.6 kg
4C32410	160x320	160	320	2	0.8 kg

[mm]



## Cover profile

- For the flush covering of longitudinal slots.
- Provides protection against soiling
- For fixing cables routed in the slots

**Material:**  
Black plastic



Code No.	Type
4C10501	2 m bar

## Heavy duty profiles

# Feet

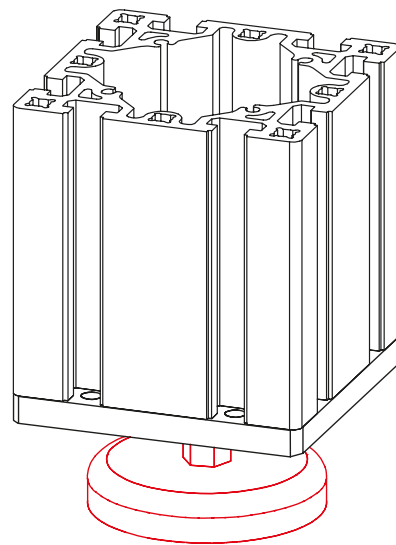
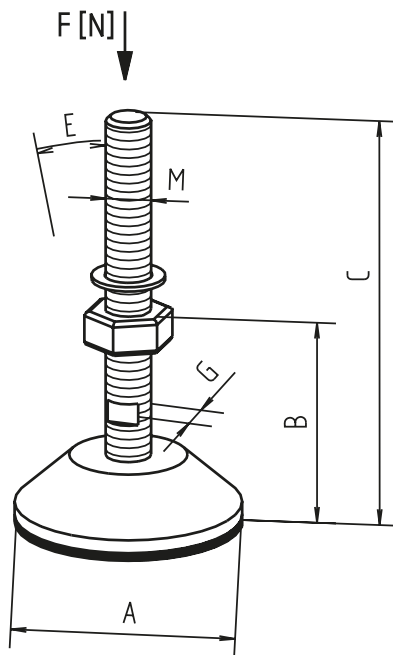
### Order instruction:

- Purchase only in lot sizes and a multiple of that see product table below

- The levelling feet are available in different versions.

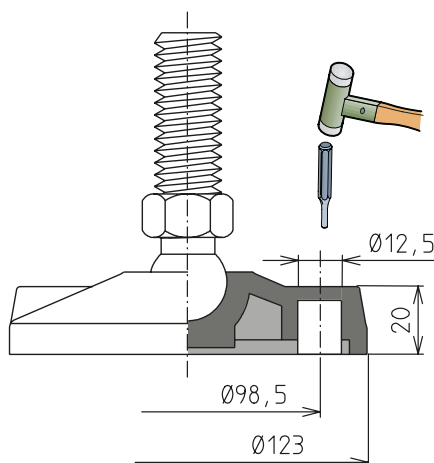
**Material:**  
Black plastic foot, galvanised spindle

### Levelling foot



\*With vibration absorber

\*\*With this version, 2 fixing holes can be punched through



Code No.	Type	lot sizes	A	B	C	M	E	G	Weight	F [N]
4006304	M8	-	47	20	52	M8	15°	12	0.04	1,500
4016303	M12	-	80	24	117	M12	15°	12	0.14	7,000
4046312	M20*	-	123	70	215	M20	15°	16	0.70	10,000
4696302	M20	-	123	61	207	M20	15°	16	0.60	20,000
<b>Foot with fixing hole** (see diagram)</b>										
4C16300	M20	-	123	70	155	M20	8°	22	0.60	45,000
40166061	Fixing bolt 8x60	4, 8, 12... pcs								

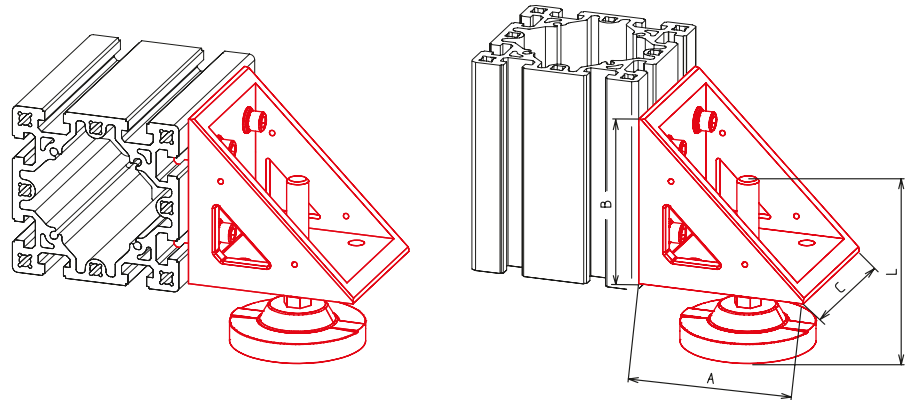


## Levelling foot with fixing bracket

- This fixing bracket can be used if it is necessary for structural reasons to attach a foot to the side of the profile.

**Material:**  
Gravity die-cast aluminium angle bracket,  
fastenings: Galvanised spindle

**Includes:**  
One fixing bracket with levelling foot and fastenings



Code No.	Type	A	B	C	L	Weight
4C22105	M20	158	158	148	155	3.3 kg

**Heavy duty profiles**

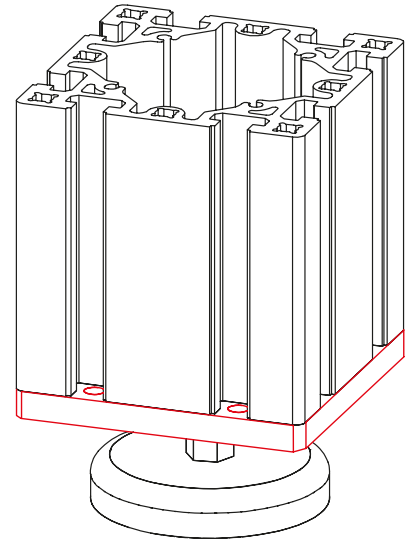
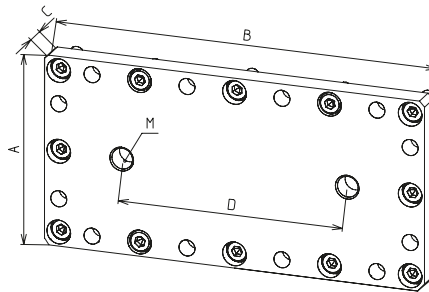
# Connecting plates

## Connecting plate for feet

- Connecting plate with tapped hole for feet
- Also suitable for taking eye bolts.
- As of type 160x240 the plate has 2 tapped holes.

**Material:**  
Galvanised steel

**Includes:**  
Connecting plate with complete fixing set for connection to one profile  
\*Profile 80x80 has a screw channel of Ø7.45 (M8). If using a connecting plate/foot M12, a hole must be drilled in this channel. The drill listed below should ideally be used.



Adjustment range 0-28 mm  
Max. compressive force 20 KN

Code No.	Type	A	B	C	D	M	Weight
4C46405	80x80*	80	80	15	0	12	0.7 kg
4C16405	80x160	80	160	15	0	20	1.4 kg
4C56405	80x240	80	240	15	130	12	2.2 kg
4C26405	160x160	160	160	15	0	20	2.9 kg
4C66405	160x240	160	240	20	130	20	5.8 kg
4C36405	160x320	160	320	20	190	20	7.7 kg
4006652	Drilling fixture for profile D-80x80 / foot M12						

## Base plate

- For taking high supporting forces
- The four levelling feet help to align a structure exactly
- If necessary, the feet can be screwed to the floor

### Material:

Black powder-coated galvanised steel base plate, reinforced black polyamide foot, galvanised spindle, galvanised fastenings

**Includes:** Complete base plate with four levelling feet and fastenings for the connection of one profile



Fig. 1

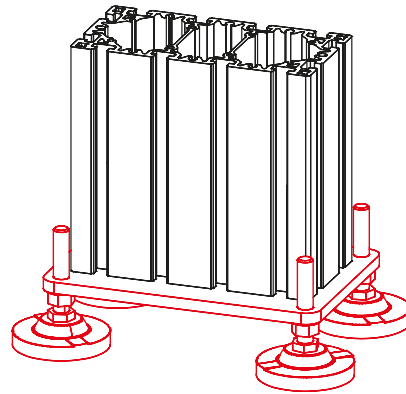


Fig. 2

Base plate with slot stones for the cross connection of one profile 160x320

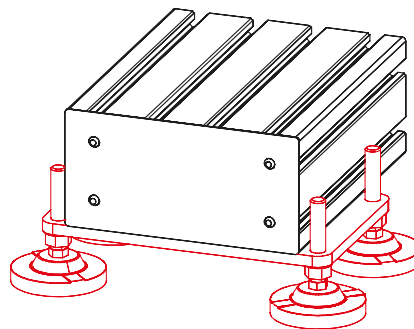
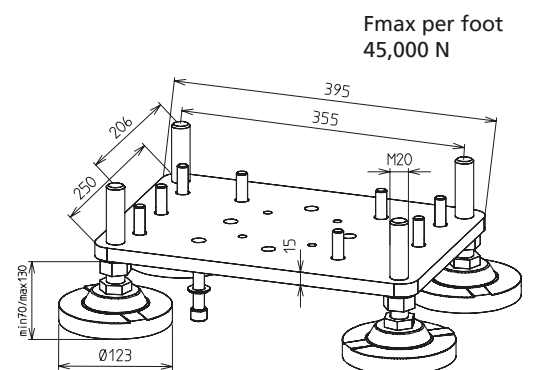
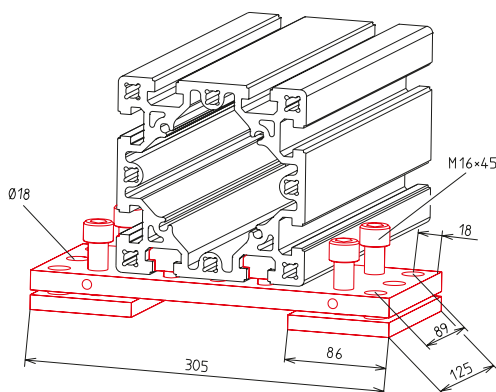


Fig. 3



Code No.	For profile	Weight	Fig.
4C26406	160x160	13.3 kg	1
4C36408	160x240	13.6 kg	1
4C36406	160x320	13.7 kg	1
4C36407	160x320 with slot stones	14.7 kg	2
4C26407	160, adjustable	8.2 kg	3

**Safety guards**

# **Contents**





## Contents

Introduction .....	p. 410
Choosing a system .....	p. 412
Modular system .....	p. 416
Modular profiles .....	p. 428
Accessories .....	p. 440
Fax enquiry .....	p. 464

## Safety guards

# Introduction

Due to the ever increasing automation of manufacturing processes and equipment, the protection of people from sources of danger is growing in importance. The safety guard has a grid design and therefore reduces the effort required from the user in planning, construction and assembly to a minimum. It complies with the new Machinery Directive 2006/42/EC.

A modern connector that meets the legal requirements for safety devices safely fixes post and safety guard element. Posts and safety guard elements come with all attachments on delivery, so safety guard elements can be installed without tools. After the posts are secured to the substrate, the safety guard elements need only be inserted at the bottom and pressed in at the top – done!





<b>Introduction</b>	Choosing a system ..... p. 412 Safety distances ..... p. 414
<b>Modular system</b>	Function/Planning/Requirements ..... p. 416 Pillar ..... p. 418 Pillar profiles..... p. 419 Supporting/Levelling shims..... p. 419 Panels ..... p. 420 Hinged door ..... p. 423 Double-wing hinged door ..... p. 424 Sliding door ..... p. 425 Lifting door ..... p. 426 Modular profiles ..... p. 428
<b>Accessories</b>	Base clamp ..... p. 440 Fasteners ..... p. 441 Support ..... p. 441 Corner joint ..... p. 442 Connection element -S- (Click & Safe) ..... p. 444 Bracing plate ..... p. 446 Cover profile ..... p. 446 Profile seal ..... p. 447 Door gap seal ..... p. 447 Rim ..... p. 447 Hinges ..... p. 448 Piano hinge..... p. 449 Ball catch ..... p. 450 Magnetic lock..... p. 451 Magnet lock universal..... p. 452 Ball catch universal..... p. 453 Door stopper ..... p. 455 Handle..... p. 455 Door lock -KL-..... p. 456 Roller module..... p. 458 Roller carriage module ..... p. 459 Safety switch..... p. 460 Panels..... p. 463

## Safety guards

# Choosing a system

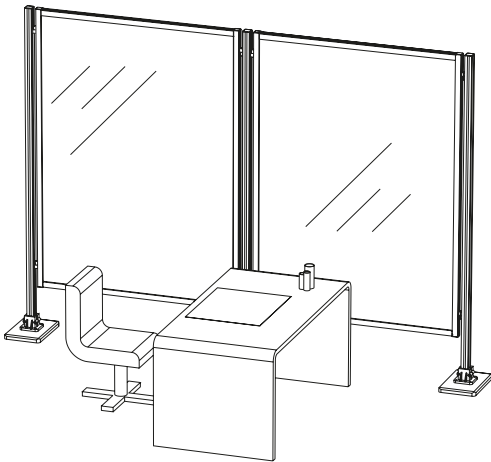
## Introduction

Due to the ever increasing automation of manufacturing processes and equipment, the protection of people from sources of danger is growing in importance. The safety guard has a grid design and therefore reduces the effort required from the user in planning, construction and assembly to a minimum. It complies with the Machinery Directive 2006/42/EC.

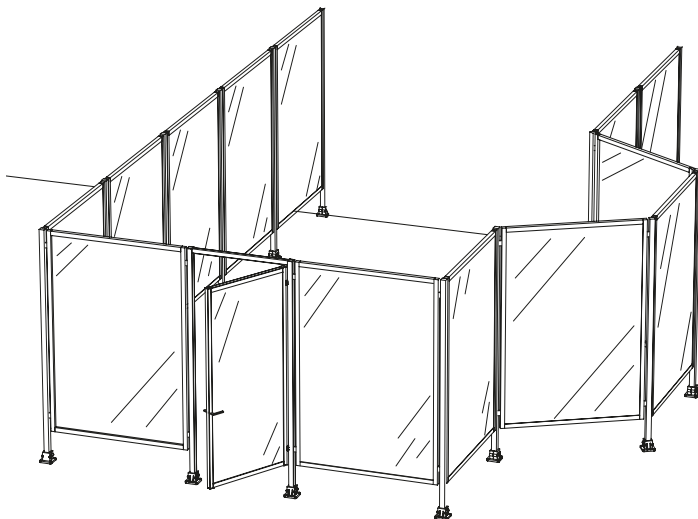
A modern connector that meets the legal requirements for safety devices safely fixes post and safety guard element. Posts and safety guard elements come with all attachments on delivery, so safety guard elements can be installed without tools. After the posts are secured to the substrate, the safety guard elements need only be inserted at the bottom and pressed in at the top – done!

## RK Click & Safe Basic

No danger to personnel e.g. from plant or machinery  
Partitioning system

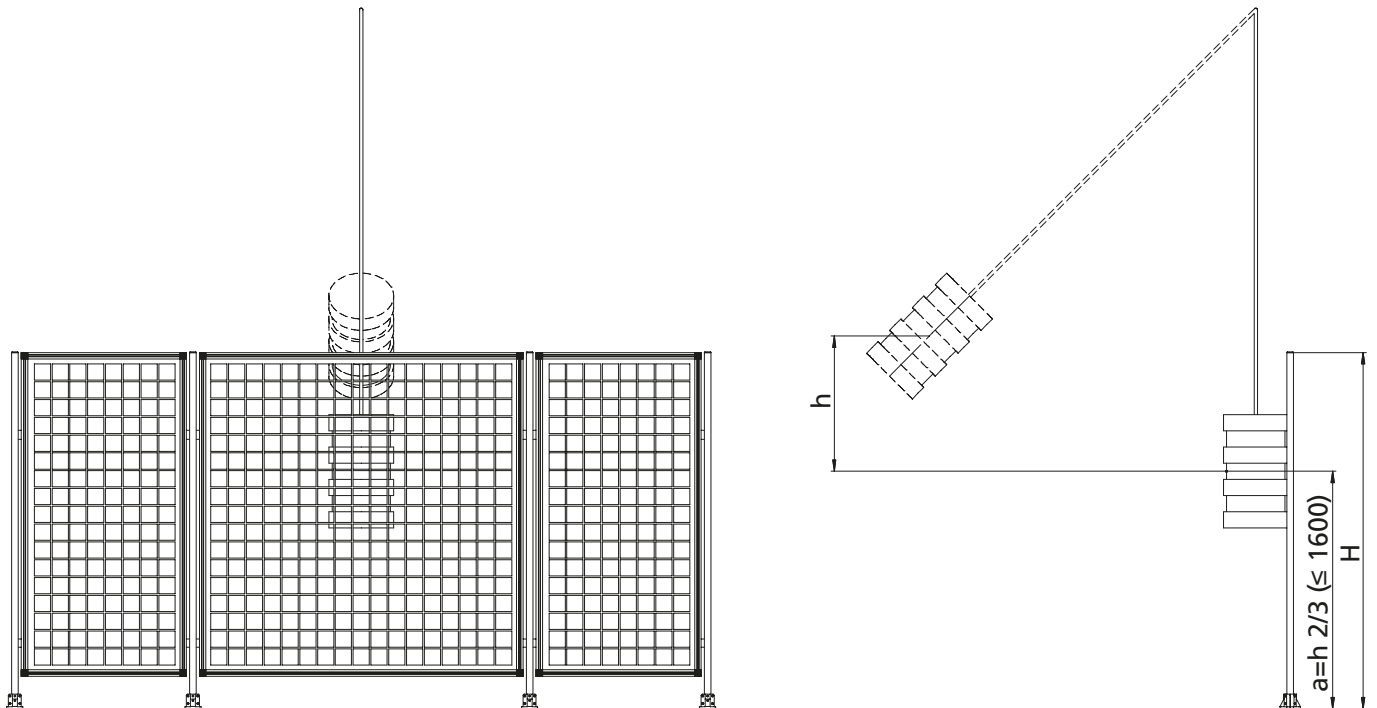


Safety guard to cordon off danger zones



Upon request we immediate supply safety guards with standard DIN EN ISO 14120, annex C, e.g. collisions with persons (90 kg, 1,6 m/s, 115 J) or machine parts ( robots). Compliance is determined and confirmed using the pendulum test method.

The test rig and the measuring process for the pendulum test has been inspected and approved by TÜV Süd.


**Legend:**

H= Height of the guard

h= height of fall

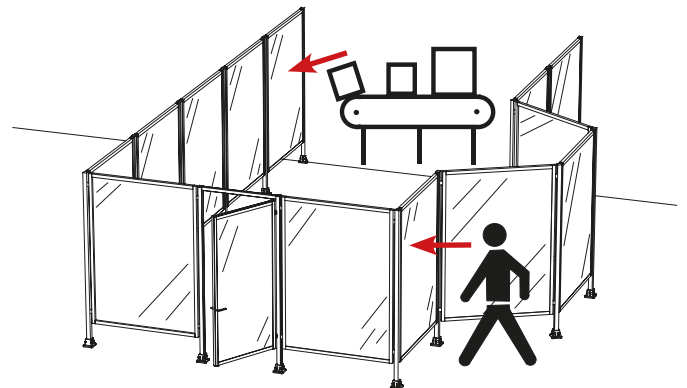
a= Height of the point of impact, which must not exceed 1600 mm.

**RK Click & Safe Protect 115**

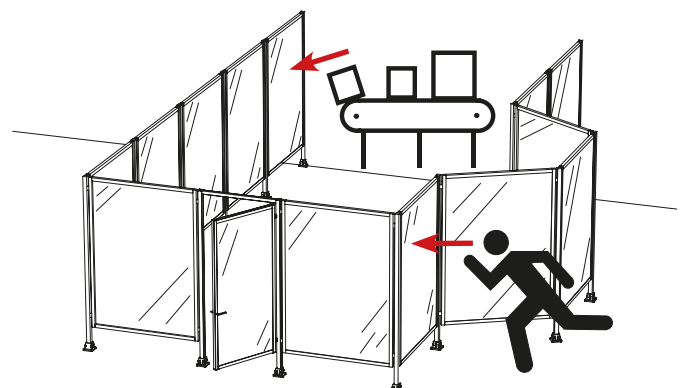
(Page 427)

**Risks from moving parts**

- Pendulum, standard ISO 14120, annex C, 5,8 km/h, 90 kg, normal walking speed


**RK Click & Safe Protect 370**
**Risks from moving parts**

- Pendulum, standard ISO 14120, annex C, 10 km/h, 90 kg, running speed

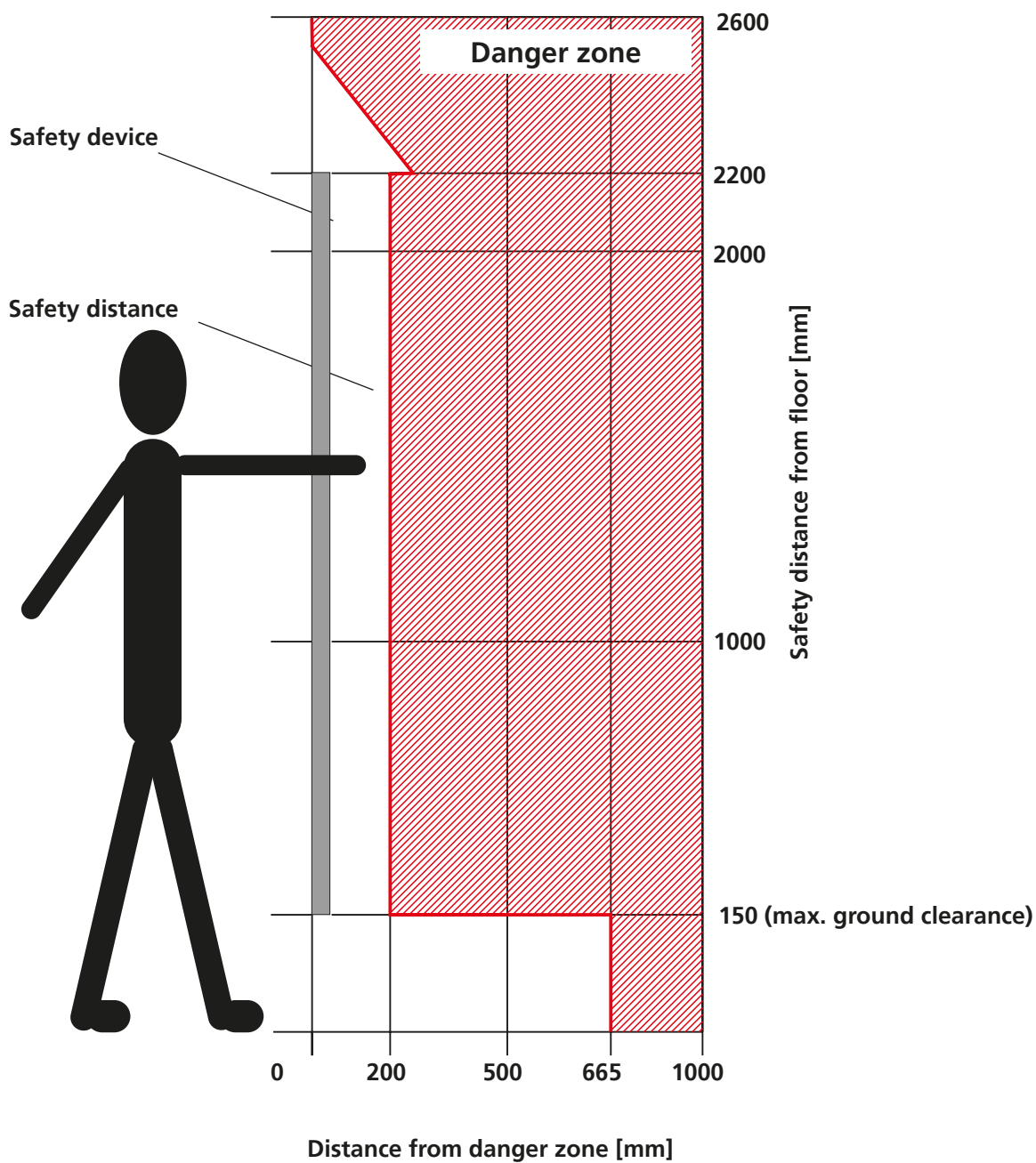


## Safety guards

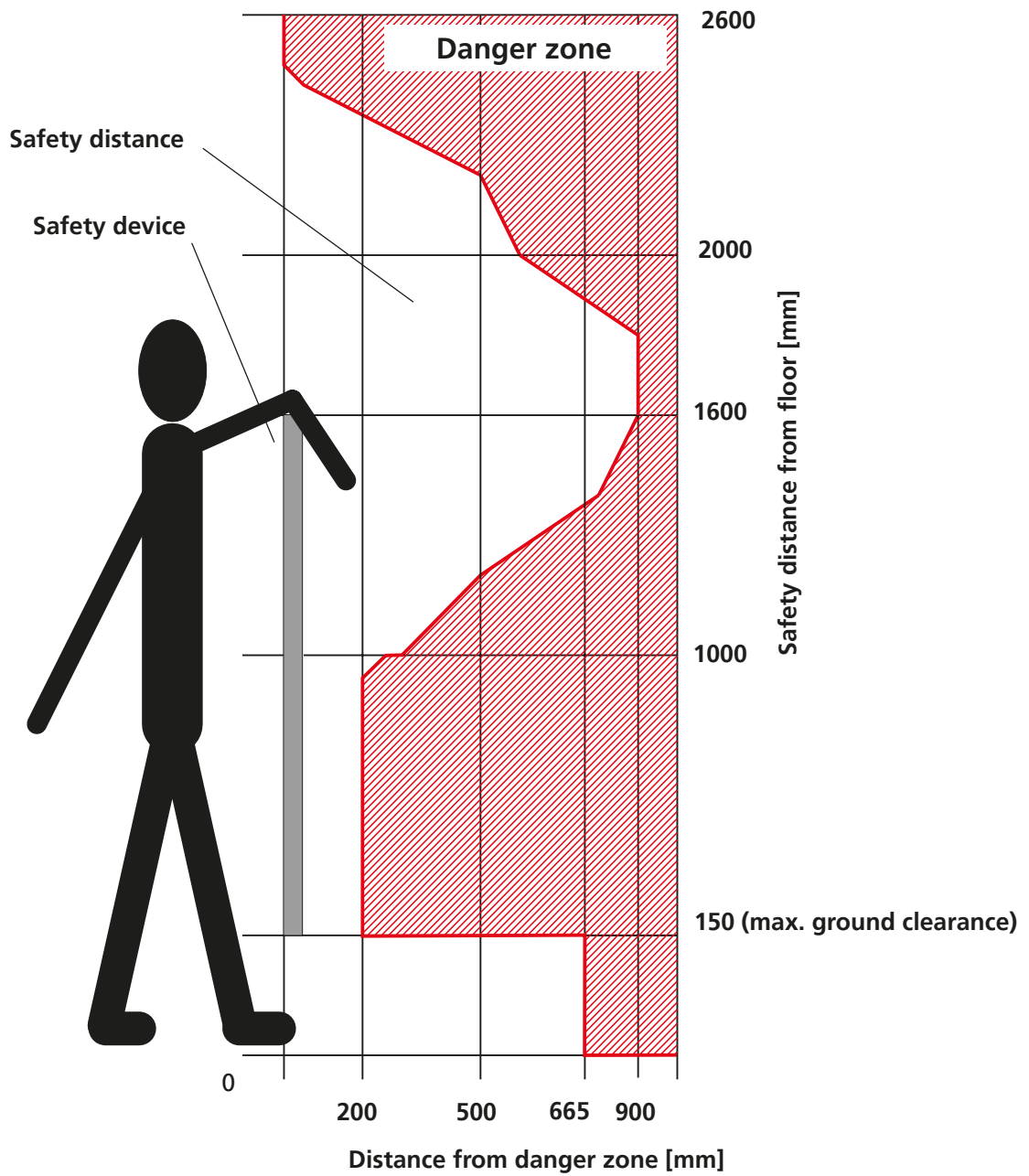
# Safety distances

Safety distances

Distance from danger zone for frame height 2200 mm according to DIN EN ISO 13857 (upper limb, lower limb, full body access)



Distance from danger zone  
for frame height 1600 mm



## Safety guards

# Modular system

### The modular system

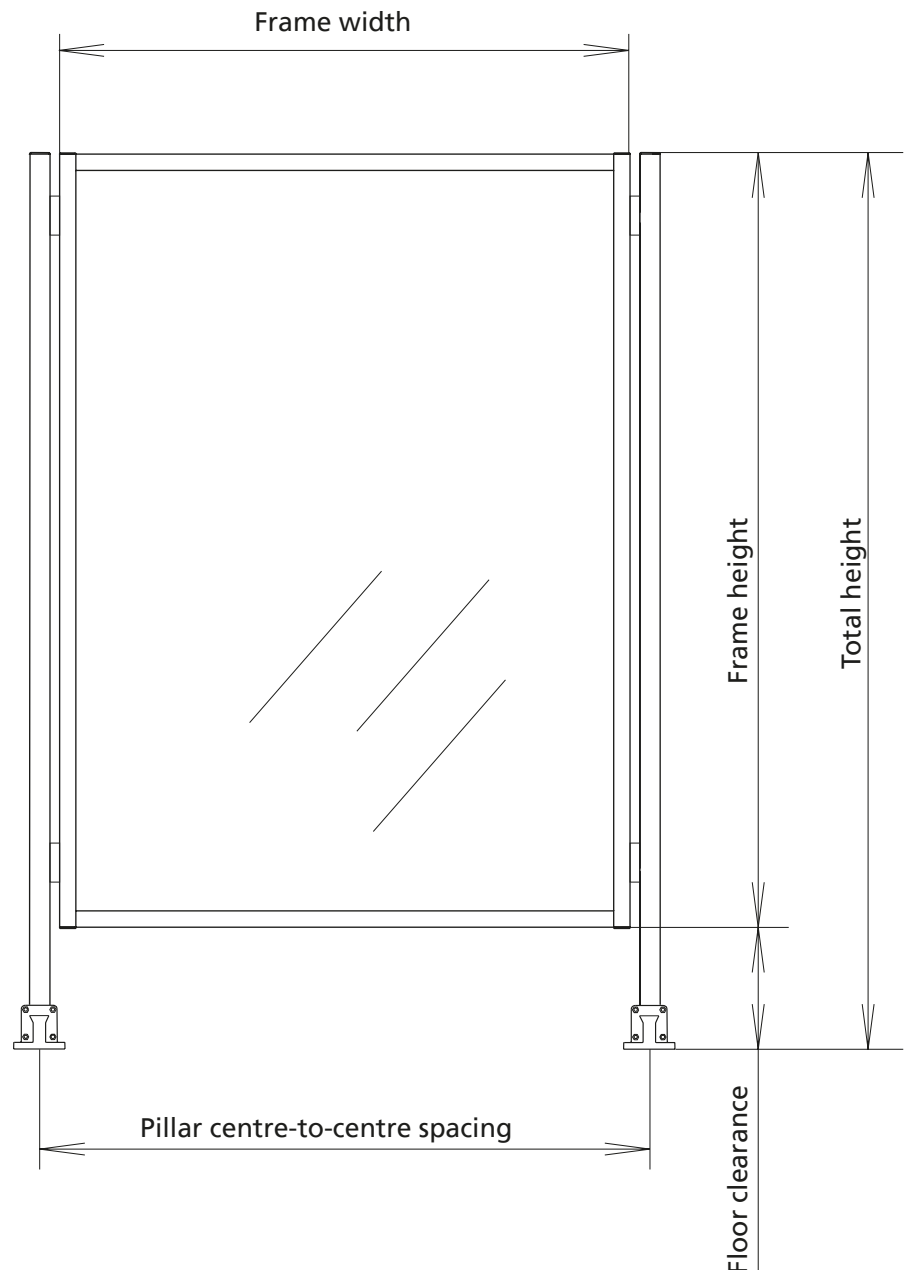
The modular system allows the user to concentrate on the most important thing – the safety function and its design with minimal time expenditure.

#### Features:

- Quick and easy on-site installation (with Click&Safe connection element, see page 444)
- Fast assembly and dismantling of individual frames, e.g. for maintenance work on the machine
- Frames with the same module size are interchangeable

Clamping or inserting profile available in the cross-sections 30 mm and 40 mm.  
(see page 431–436)

Pillar profile 50, S-profile 40x40 or F-profile 50x50  
(see page 418–419  
Page 438–439)





## Procedure

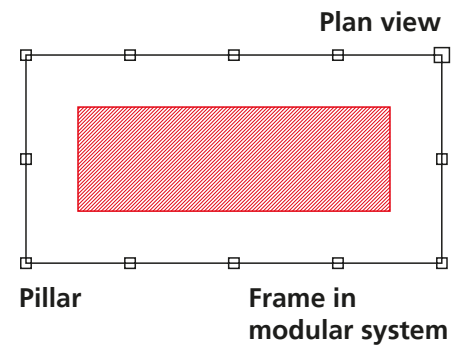
### 1. Planning

a) Calculate the required lengths

Example:

The machine to be protected has the dimensions 5.50 m x 3.50 m. Allowing for the safety distance, you get a rectangle of approx. 6 m x 4 m.

b) The protection system can now be designed in line with requirements with the aid of the different module sizes. In our example, one solution is as follows:  
 4 m side = 2 x 2.0 m module  
 6 m side = 4 x 1.5 m module  
 Number of pillars = 12



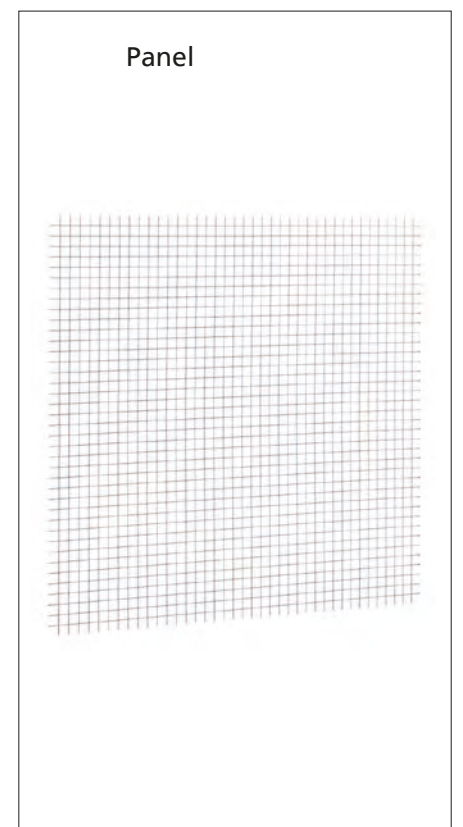
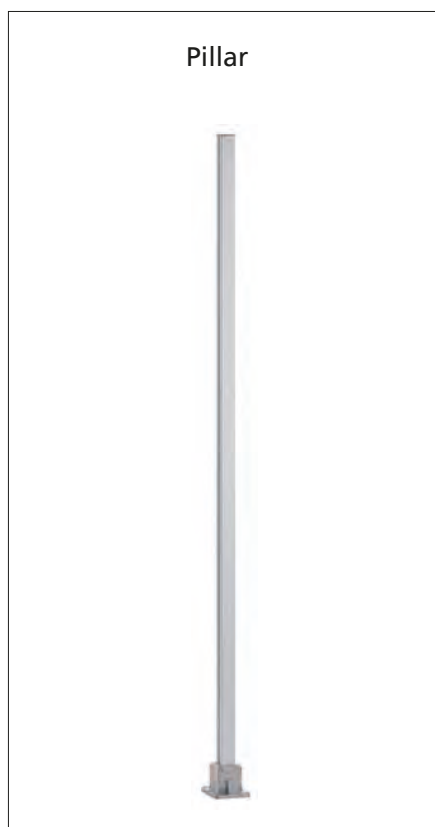
### 2. Material requirements

a) Pages 420–422 list the different frame versions with different panels.

b) Furthermore, sliding, hinged and lifting doors are available, which are also configured in the modular system (page 416).

c) Page 418 shows the pillars. The following distinction must be made in relation to the pillars:

- Protection system = pillar with base clamp (type 1 and 2)
- Safety guard = pillar with base plate (type 3)



## Safety guards

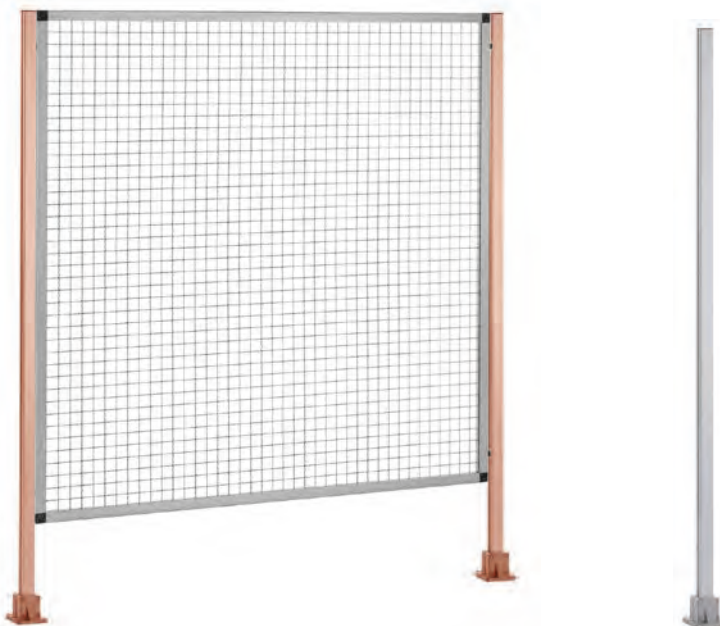
# Modular system

Pillar

Application:

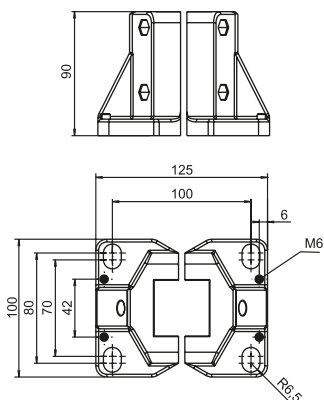
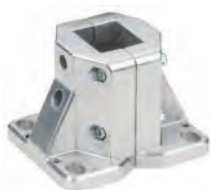
• Consisting of pillar profile 50 / S-profile 40x40 / F-profile 50x50

• Choice of base versions

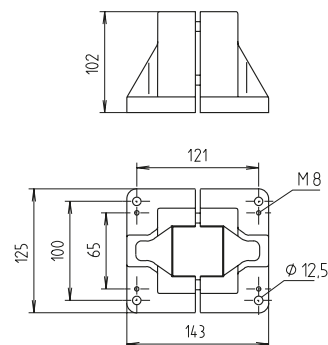


### Type 1 (FVV)

For pillar profile S-40x40

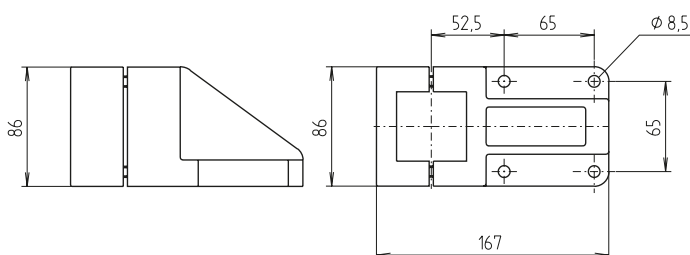


For pillar profile 50, F-50x50



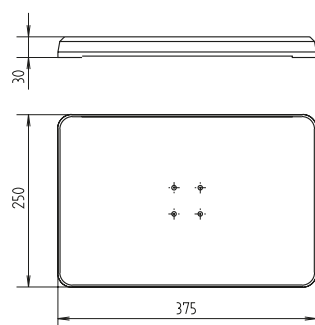
### Type 2 (FVA)

For pillar profile 50, F-50x50



### Type 3 (FP)

For pillar profile 50, F-50x50, S-40x40

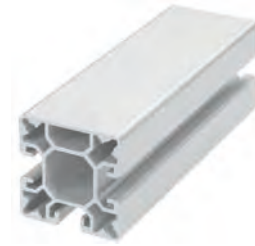




Pillar profile S-40x40



Pillar profile F-50x50



Pillar profile SP-50x50

**Order example:** Pillar F-50 1600 0000 X

Pillar profile F-50,  
Height = 1600,  
Version = Type 1 (FVV)

Pillar profile	Tall pillar (max. 6000 mm)	Base version
S-40x40	---- 0000	-
F-50x50	---- 0000	-
SP-50x50	---- 0000	-



X = type 1 (FVV)  
Y = type 2 (FVA, not available for F-40)  
Z = type 3 (FP)

## Supporting/Levelling shims

- For levelling with the aid of set screws
- For preventing the set screws from digging into the floor
- Give the base clamp a full contact surface

### Material:

Supporting shim galvanised steel,  
levelling shim aluminium



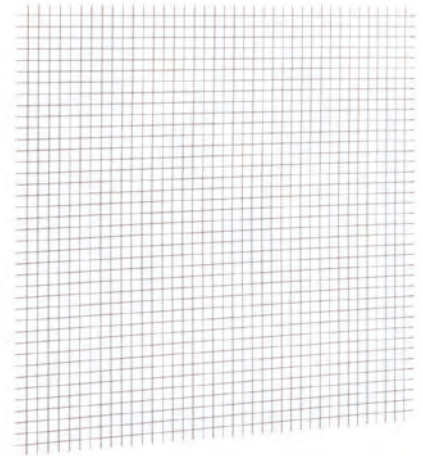
Code No.	Version	Base version	Includes
4080500	Supporting shim 50	Type 1 for pillar profile 50, F-50x50	1 1-mm shim
40143011	Levelling shims 40	Type 1 for pillar profile S-40x40	4 1-mm shims, 1 0.5-mm shim
40143021	Levelling shims 50	Type 1 for pillar profile F-50x50	4 1-mm shims, 1 0.5-mm shim

## Safety guards

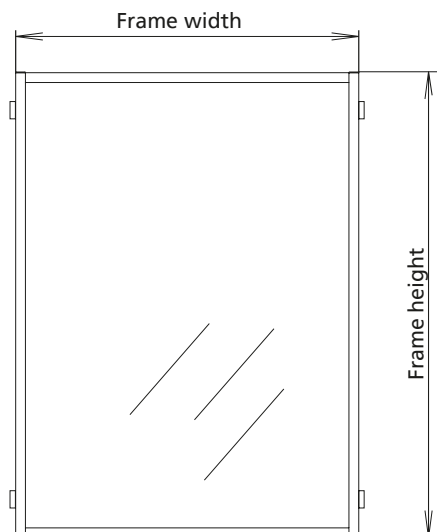
# Modular system

Panel module version -A-

- Consisting of frame, panels and connection elements



Frame profile, see p. 19-21	Frame height	Frame width	Choice of panels
Module A, ESP 30x30	Up to 2000 mm	Up to 1000 mm	A, G
Module A, ESP 40x40	Up to 2000 mm	Up to 1500 mm	A, I
Module A, ESP 30x30/2	Up to 2000 mm	Up to 1000 mm	A, G
Module A, ESP 40x40/2	Up to 2000 mm	Up to 1500 mm	A, I
Module A, KL 30x30-3	Up to 2000 mm	Up to 1000 mm	All
Module A, KL 40x40-3	Up to 2000 mm	Up to 2000 mm	A, B, C, D
Module A, KL 40x40-3	Up to 2000 mm	Up to 1500 mm	All



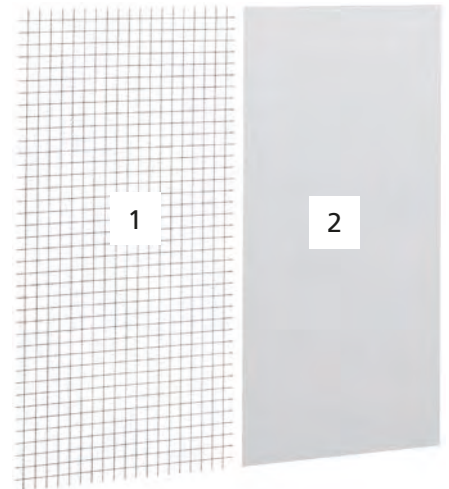
A = Without panel  
 B = Acrylic glass, 6 mm, clear  
 C = Acrylic glass, 6 mm, tinted  
 D = Makrolon glass, 6 mm, clear  
 E = Trespa, 6 m  
 F = Composite, 6 mm, anodised,  
 G = Wire mesh, 30x30x3, galv. steel  
 I = Wire mesh, 40x40x4, galv. steel

Further versions available on request.

Order example:  
 Module A, ESP 30 1500 0900 G  
 Frame profile ESP 30x30,  
 Height=1500,  
 Width=900,  
 Panel = wire mesh 30x30x3 galv. steel

**Panel module version -B-**

- Consisting of frame, panels and connection elements, vertical division (in centre)

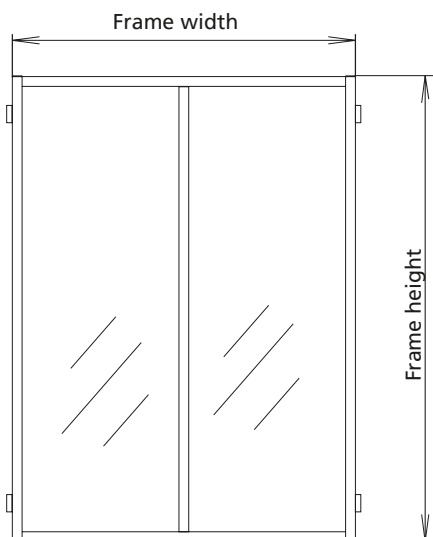


Frame profile, see p. 431-433	Frame height	Frame width	Panel 1 Choice of:	Panel 2 Choice of:
Module B, ESP 30	Up to 2000 mm	Up to 1500 mm	A, G	A, G
Module B, ESP 40	Up to 2500 mm	Up to 2000 mm	A, I	A, I
Module B, ESP 30/2	Up to 2000 mm	Up to 1500 mm	A, G	A, G
Module B, ESP 40/2	Up to 2500 mm	Up to 2000 mm	A, I	A, I
Module B, KL 30x30-3	Up to 2000 mm	Up to 1500 mm	All	All
Module B, KL 40x40-4	Up to 2500 mm	Up to 2000 mm	All	All

- A = Without panel
- B = Acrylic glass, 6 mm, clear
- C = Acrylic glass, 6 mm, tinted
- D = Makrolon glass, 6 mm, clear
- E = Trespa, 6 mm, brown solid core panel available in widths up to 1500 mm
- F = Composite, 6 mm, anodised, available in widths up to 1500 mm
- G = Wire mesh, 30x30x3, galv. steel, available in widths up to 1500 mm
- I = Wire mesh, 40x40x4, galv. steel, available in widths up to 1500 mm

Further versions available on request.

Order example:  
 Module B, KL 40 2000 1200 BI  
  
 Frame profile KL 40x40-3  
 Height = 2000,  
 Width = 1200,  
 Panel 1 = Acrylic glass, 6 mm, clear  
 Panel 2 = wire mesh 40x40x4 galv. steel

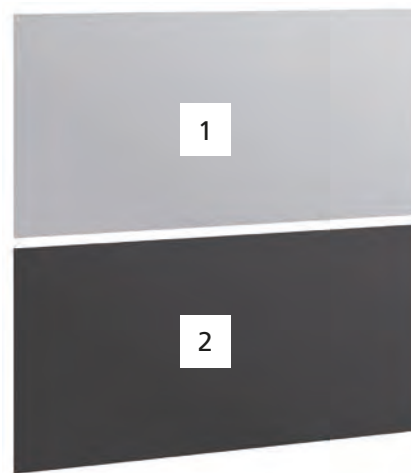


## Safety guards

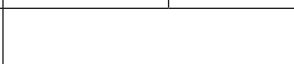
# Modular system

### Panel module version -C-

- Consisting of frame, panels and connection elements, horizontal division (in centre)

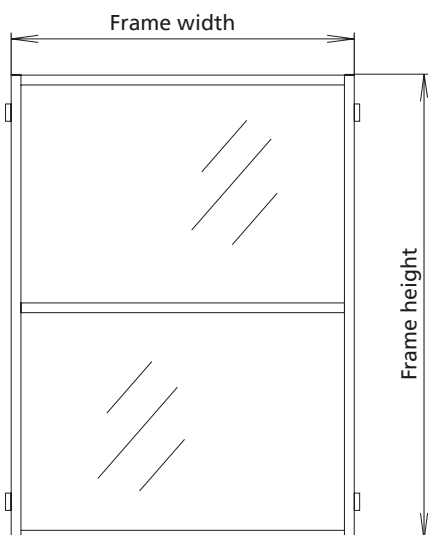


Frame profile, see p. 431 - 433	Frame height	Frame width	Panel 1 Choice of:	Panel 2 Choice of:
Module C, ESP 30	Up to 2000 mm	Up to 1500 mm	A, G	A, G
Module C, ESP 40	Up to 2500 mm	Up to 2000 mm	A, I	A, I
Module C, ESP 30/2	Up to 2000 mm	Up to 1500 mm	A, G	A, G
Module C, ESP 40/2	Up to 2500 mm	Up to 2000 mm	A, I	A, I
Module C, KL 30x30-3	Up to 2000 mm	Up to 1500 mm	All	All
Module C, KL 40x40-3	Up to 2500 mm	Up to 2000 mm	All	All



A = Without panel
B = Acrylic glass, 6 mm, clear
C = Acrylic glass, 6 mm, tinted
D = Makrolon glass, 6 mm, clear
E = Trespa, 6 mm, brown solid core panel available in widths up to 1500 mm
F = Composite, 6 mm, anodised, available in widths up to 1500 mm
G = Wire mesh, 30x30x3, galv. steel
I = Wire mesh, 40x40x4, galv. steel

Further versions available on request.



#### Order example:

Module C, KL 40 2000 0850 BI

Frame profile KL 40x40-3,

Height = 2000,

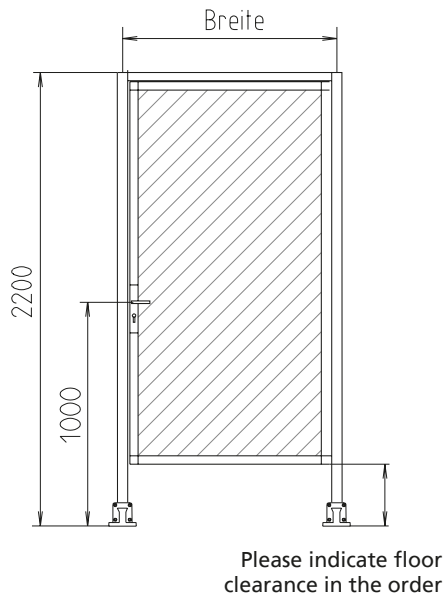
Width = 850,

Panel 1 = Acrylic glass, 6 mm, clear

Panel 2 = wire mesh 40x40x4 galv. steel

Hinged door

- Consisting of pillar profile 50 with base version type 1, top cross strut
- Choice of door lock



Type	Mounting	Height	Width	Panel	Door lock	Frame profile
Hinged door	-	----	----	-	-	KL 30x30-3
	-	----	----	-	-	KL 40x40-3

W = Panic lock  
 X = Cylinder lock with handle set  
 Y = Magnetic lock with handle  
 Z = Ball catch with handle

A = Without panel  
 B = Acrylic glass, 6 mm, clear  
 C = Acrylic glass, 6 mm, tinted  
 D = Makrolon glass, 6 mm, clear  
 E = Trespa, 6 mm, brown solid core panel available in widths up to 1500 mm  
 F = Composite, 6 mm, anodised, available in widths up to 1500 mm  
 G = Wire mesh, 30x30x3, galv. steel  
 I = Wire mesh, 40x40x4, galv. steel

F = DIN right mounting  
 G = DIN left mounting

**Standard height:**  
 2200 = 2200 mm

**Standard width:**  
 0800 = 0800 mm  
 1000 = 1000 mm

Further widths/heights available on request.

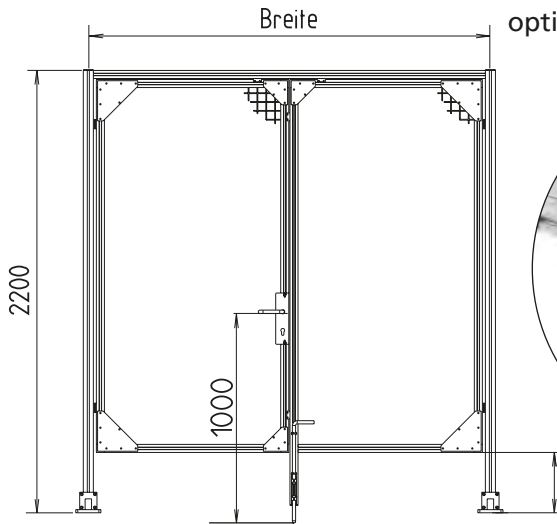
**Order example:**  
 Hinged door F 2200 1000 DY  
 DIN right,  
 Height = 2200,  
 Width = 1000,  
 Panel = Makrolon,  
 Door lock = Magnetic lock

**Safety guards**

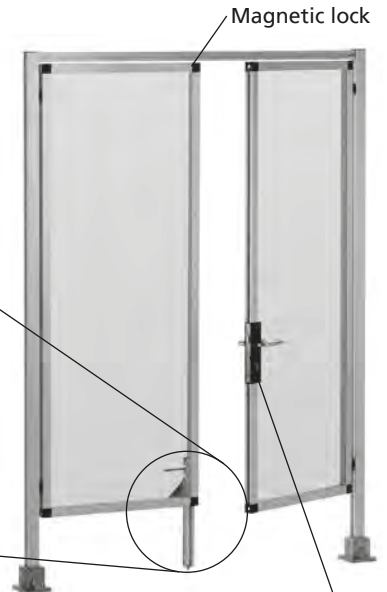
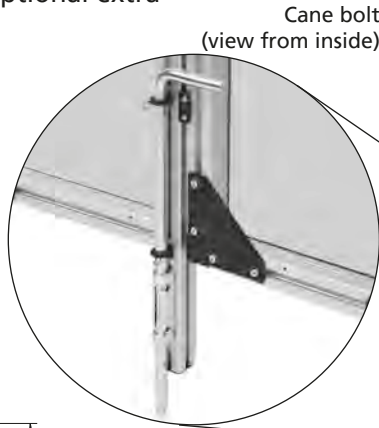
# Modular system

## Double-winged hinged door

- Consisting of pillar profile 50 with base version type 1, top cross strut
- Choice of door lock
- Pillar roller available as an optional extra



Please indicate floor clearance in the order



Version DIN right

Fixed knob on outside in panic lock version

Type	Mounting	Height	Width	Panel	Door lock	Frame profile
Double-wing hinged door	-	---	---	-	-	KL 40x40-3

L = DIN right mounting  
M = DIN left mounting

Order example:  
Double-wing hinged door L 2200 1500 DW  
DIN right,  
Height = 2200,  
Width = 1500,  
Panel = Makrolon,  
Door lock = panic lock

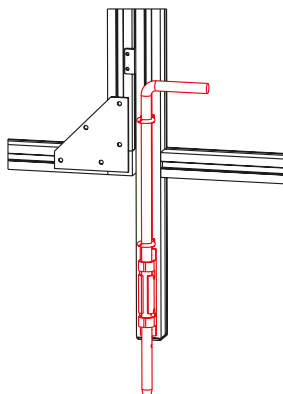
**Standard height:**  
2200 = 2200 mm  
**Standard width:**  
1500 = 1500 mm  
2000 = 2000 mm

Further widths/heights available on request.

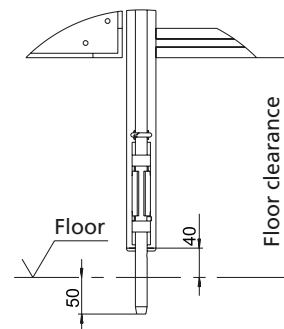
W = Panic lock  
X = Cylinder lock with handle set  
Y = Magnetic lock with handle  
Z = Ball catch with handle

A = Without panel  
B = Acrylic glass, 6 mm, clear  
C = Acrylic glass, 6 mm, tinted  
D = Makrolon glass, 6 mm, clear  
E = Trespa, 6 mm, brown solid core panel available in widths up to 1500 mm  
F = Composite, 6 mm, anodised, available in widths up to 1500 mm  
G = Wire mesh, 30x30x3, galv. steel  
I = Wire mesh, 40x40x4, galv. steel

## Cane bolt for double-winged hinged door



**Material:** galvanised steel.  
**Includes:**  
Complete with fixing set.



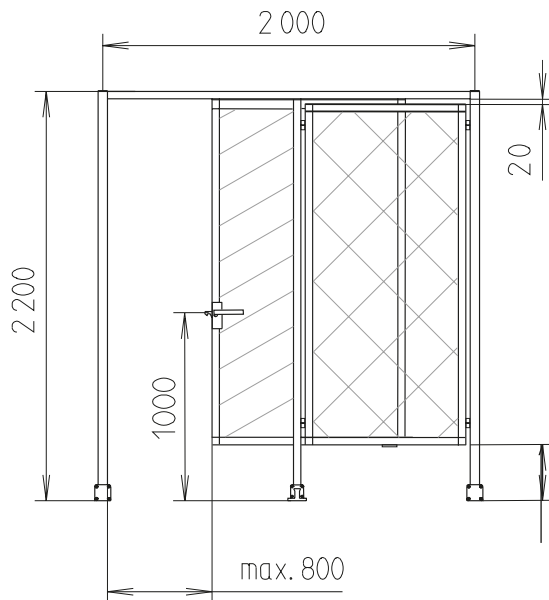
Code No.	Type
95208	Cane bolt for double-winged hinged door



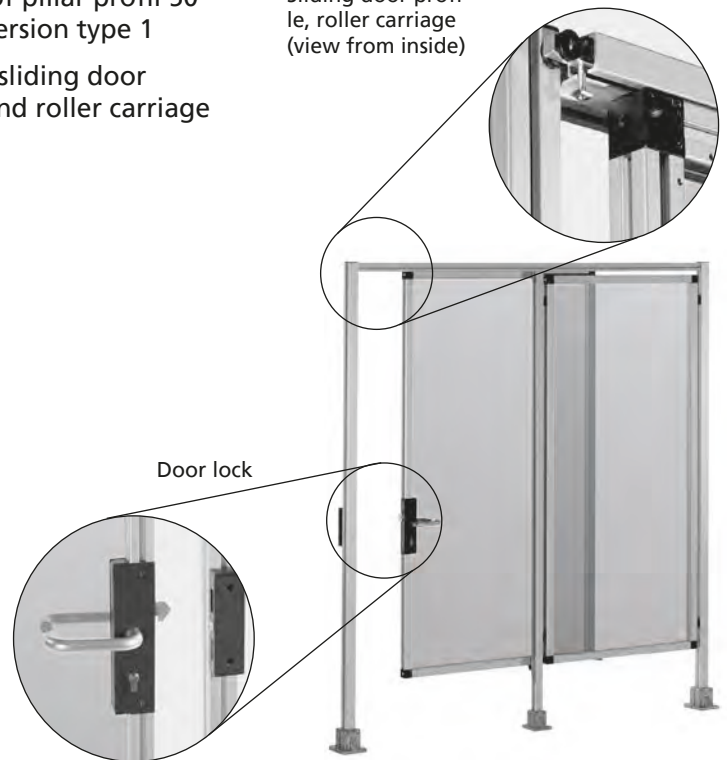
## RK Click & Safe Basic Sliding door

- Consisting of pillar profil 50 with base version type 1
- Guide with sliding door profile 40 and roller carriage

Sliding door profile, roller carriage (view from inside)



Please indicate floor clearance in the order



Version  
DIN right

Type	Mounting	Height	Width	Panel	Frame profile
Sliding door	-	---	---	-	KL 40x40-3

--	--	--	--	--	--

N = DIN right mounting  
P = DIN left mounting

**Standard height:**  
2200 = 2200 mm

**Standard width:**  
2000 = 2000 mm

A = Without panel  
B = Acrylic glass, 6 mm, clear  
C = Acrylic glass, 6 mm, tinted  
D = Makrolon glass, 6 mm, clear  
E = Trespa, 6 mm, brown solid core panel available in widths up to 1500 mm  
F = Composite, 6 mm, anodised, available in widths up to 1500 mm  
G = Wire mesh, 30x30x3, galv. steel  
I = Wire mesh, 40x40x4, galv. steel

Further widths/heights available on request.

**Order example:**  
Sliding door N 2200 2000 IB

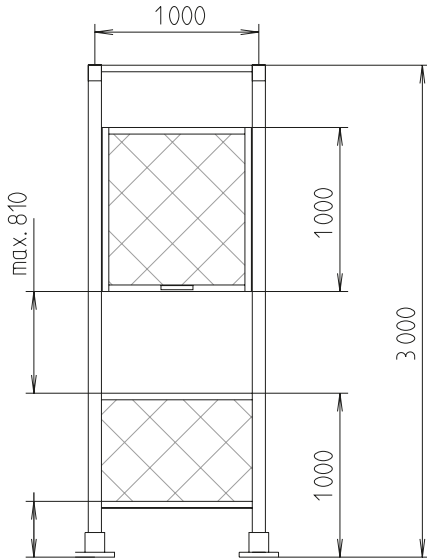
Sliding door right,  
Height = 2200,  
Width = 2000,  
Panel1 = Wire mesh,  
Panel2 = Clear acrylic

**Safety guards**

# Modular system

## Lifting door

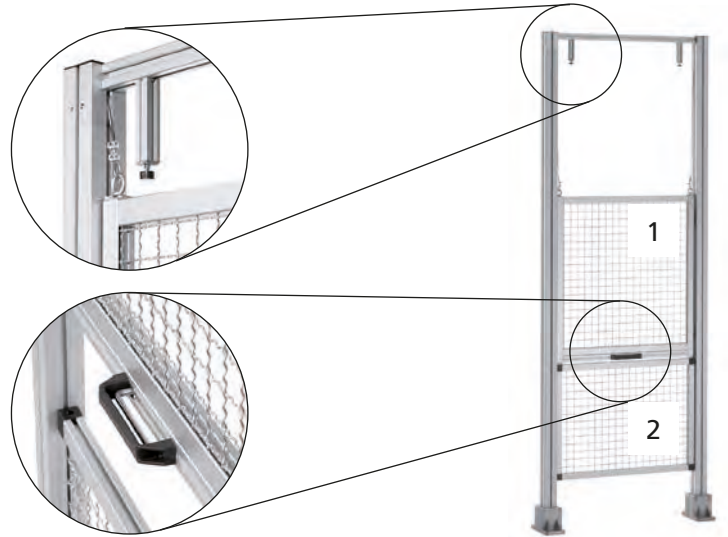
- Consisting of pillar profile F-profile 80-L with base version type 1
- Incl. pulleys, counterweights and infinitely adjustable brake



Please indicate floor clearance in the order

Door limiter with shock absorbers, counterweight pulley system

Infinitely adjustable holding brake in handle



Type	Height	Width	Panel		Frame profile
			1	2	
Lifting door	----	----	-	-	KL 40x40-3

**Standard height:** 3000 = 3000 mm

**Standard width:** 1000 = 1000 mm

- A = Without panel
- B = Acrylic glass, 6 mm, clear
- C = Acrylic glass, 6 mm, tinted
- D = Makrolon glass, 6 mm, clear
- E = Trespa, 6 mm, brown solid core panel available in widths up to 1500 mm
- F = Composite, 6 mm, anodised, available in widths up to 1500 mm
- G = Wire mesh, 30x30x3, galv. steel
- I = Wire mesh, 40x40x4, galv. steel

Further widths/heights available on request.

**Order example:**  
Lifting door 3000 1000 BE

Frame profile = KL 40-II  
Height = 3000  
Width = 1000  
Panel 1 = Clear acrylic  
Panel 2 = Trespa

## RK Click & Safe Protect 115

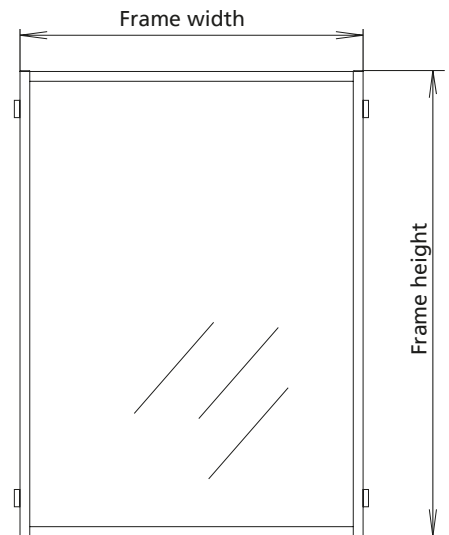
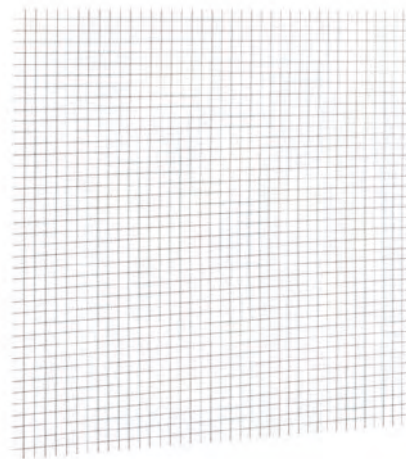
### Risks from moving parts

- Pendulum, standard ISO 14120, annex C 115 j (5,8 km/h, 90 kg) normal walking speed

The test rig and the measuring process for the pendulum test has been inspected and approved by TÜV Süd.

### Panel module version -A-

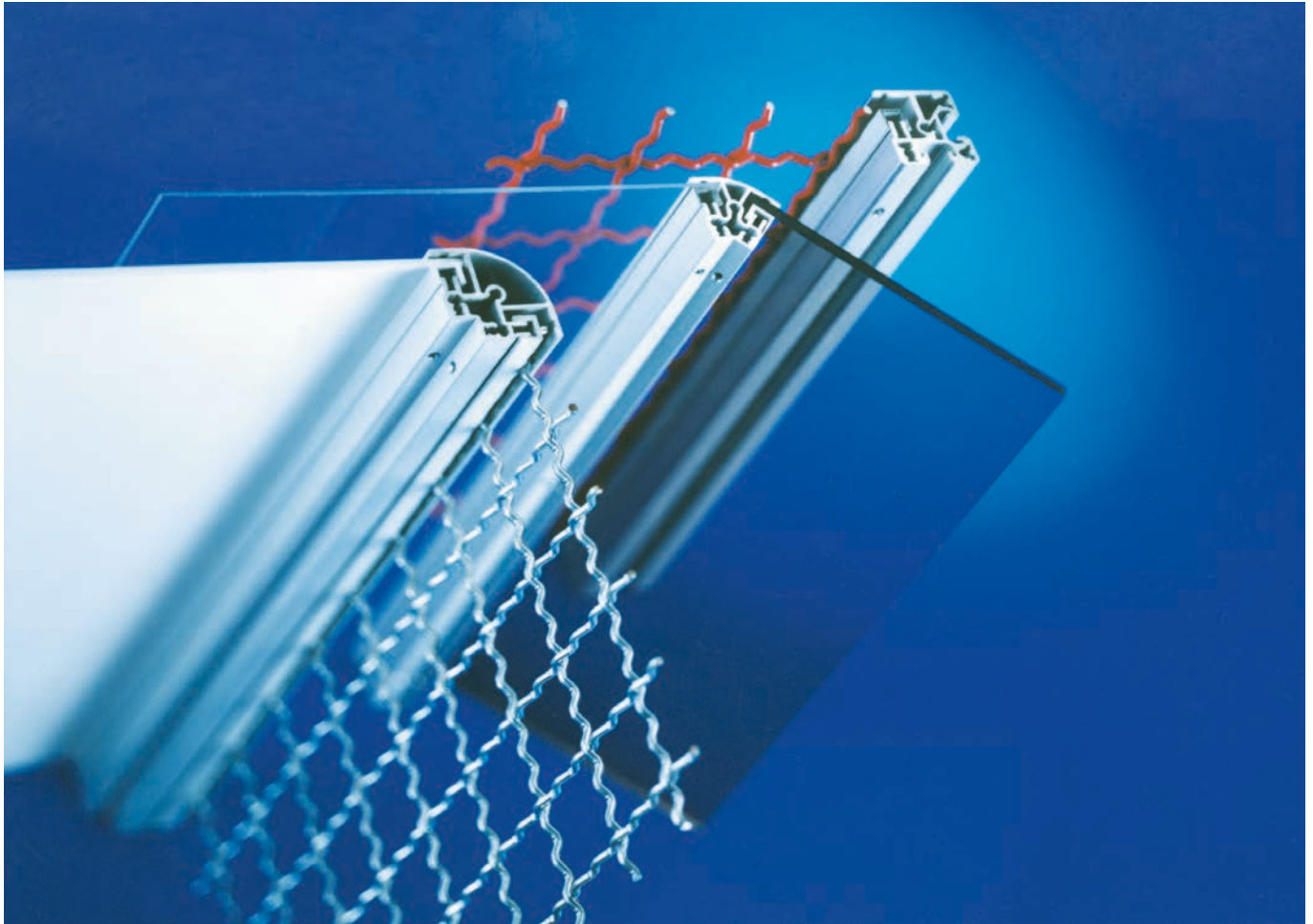
- Consisting of frame, panels and connection elements



Pillar profile p. 438	Frame profile p. 432	Frame height	Frame width	Panels
S-40x40	ESP 30x30 (30/2)	2000 mm	1000 mm	Wire mesh, 30x30x3
S-40x40	ESP 40x40 (40/2)	2000 mm	1000 mm	Wire mesh, 40x40x4
S-40x40	KL 30x30	2000 mm	1500 mm	Wire mesh, 30x30x3
S-40x40	KL 40x40	2000 mm	1500 mm	Wire mesh, 40x40x4
S-40x40	KL 40x40	2000 mm	1500 mm	Wire mesh, 30x30x3
S-40x40	KL 30x30	2000 mm	1500 mm	Makrolon glass 4 mm
S-40x40	KL 30x30	2000 mm	1500 mm	Makrolon glass 6 mm
S-40x40	KL 40x40	2000 mm	1500 mm	Makrolon glass 4 mm
S-40x40	KL 40x40	2000 mm	1500 mm	Makrolon glass 6 mm
F-50x50	KL 40x40	2000 mm	1500 mm	Makrolon glass 4 mm
S-40x40	KL 40x40	2000 mm	1500 mm	Safety glass VSG 6 mm
S-40x40	KL 30x30	2000 mm	1000 mm	Wire mesh, 30x30x3
S-40x40	KL 40x40	2000 mm	1000 mm	Wire mesh, 40x40x4
F-50x50	KL 40x40	2000 mm	1000 mm	Safety glass VSG 6 mm

Other combinations on request

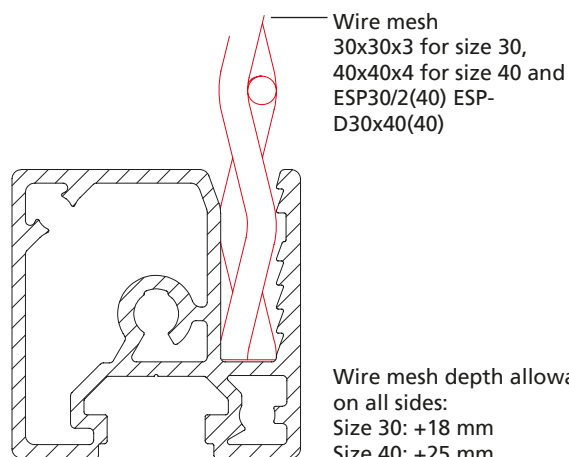
## System profiles



### Inserting profiles ESP for wire mesh

#### Features:

- Special profile for inserting wire meshes (size 30 for 30x30x3, size 40 for 40x40x4,
- Type ESP 30/2 (40) and ESPD 30x40 (40) for 40x40x4)
- Visually attractive and easy to clean thanks to profile visible surfaces without longitudinal slot.
- Corner joint ensures quick and rotation-locked assembly
- High stability thanks to high insertion depth



## Clamping profiles

- A clamping screw presses the clamping bar against the panel. This ensures secure seating and tolerances can be absorbed by the panels without any difficulty.

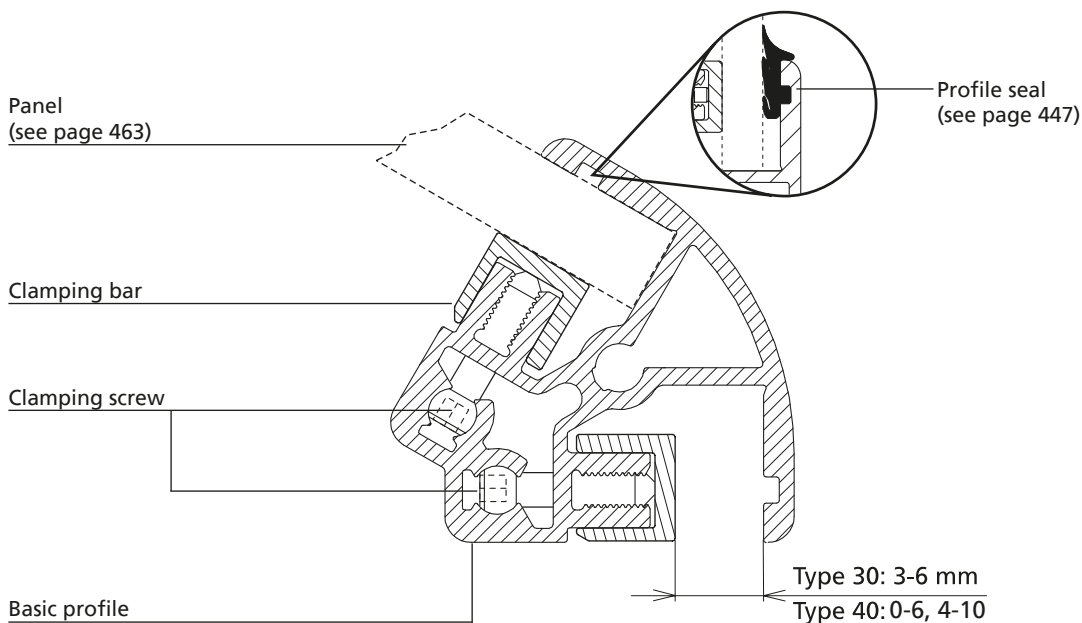
### Features:

- Secure seating, no flapping because the panels are clamped
- Visually attractive and easy to clean thanks to smooth visible surface
- Various angle versions for different applications
- Suitable for panel elements with a wall thickness of up to 10 mm
- Panel depth allowances on all sides:
 

Size 30	+10 mm
Size 40	+15 mm

### Includes:

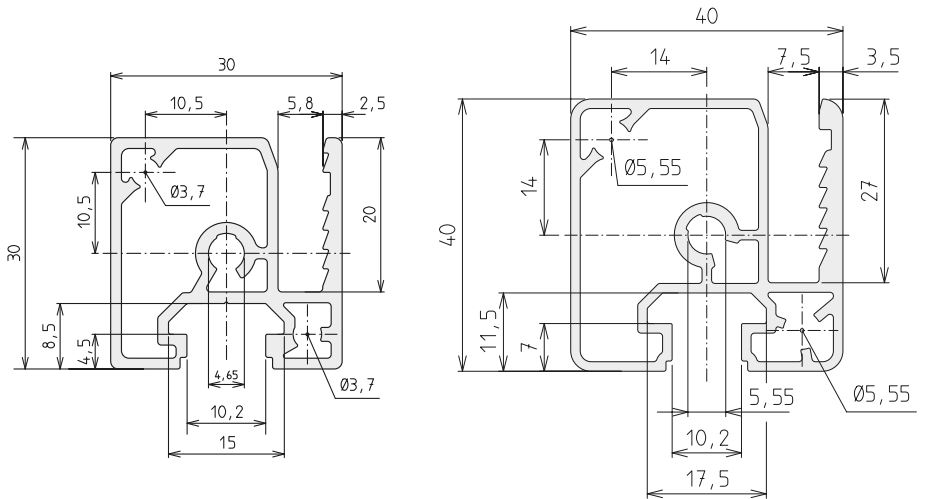
Basic profile, clamping bar and set screws (hole spacing approx. 200 mm)



## Safety guards

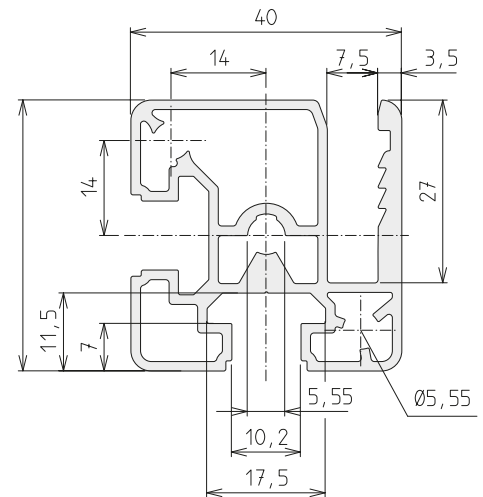
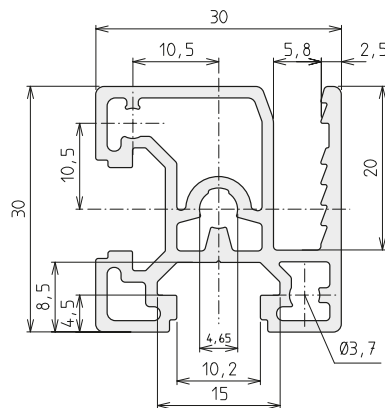
# Profiles

Inserting profile ESP  
for wire mesh



Code No.	Size	Version	For wire mesh	Anodised
4895000	30	Cut to size (max. 6000 mm)	30x30x3	Clear
4895001	30	6000 mm bar	30x30x3	Clear
4905000	40	Cut to size (max. 6000 mm)	40x40x4	Clear
4905001	40	6000 mm bar	40x40x4	Clear

## Inserting profile ESP/2 for wire mesh

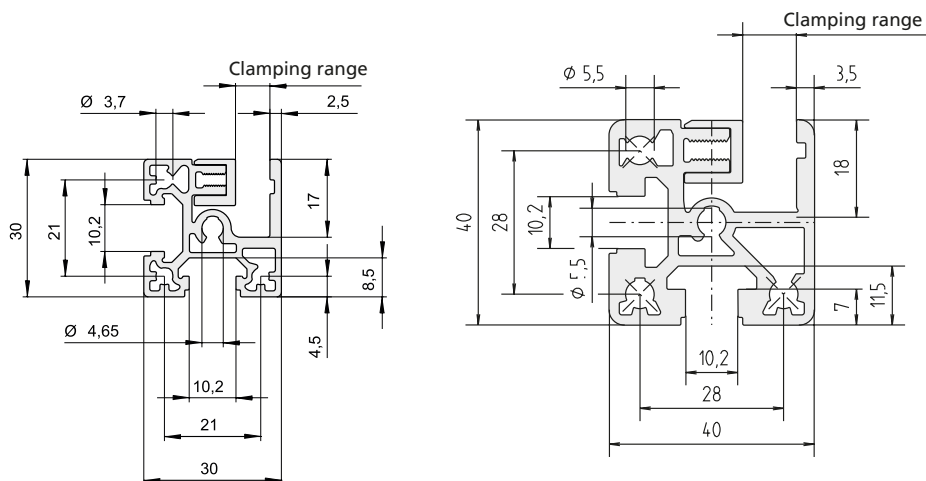
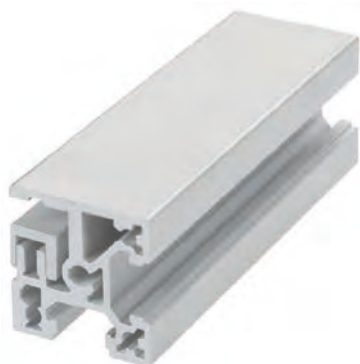


Code No.	Size	Version	For wire mesh	Anodised
4935000	30	Cut to size (max. 6000 mm)	30x30x3	Clear
4935001	30	6000 mm bar	30x30x3	Clear
4945000	40	Cut to size (max. 6000 mm)	40x40x4	Clear
4945001	40	6000 mm bar	40x40x4	Clear

## Safety guards

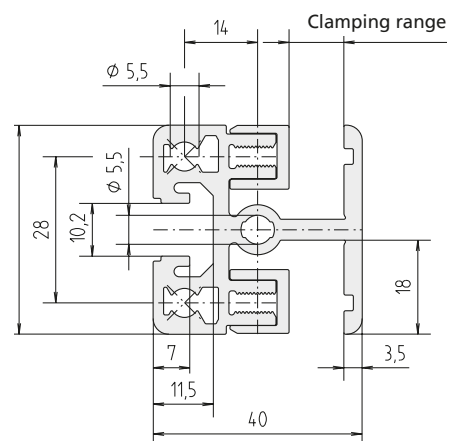
# Profiles

## Clamping profile KL



Code No.	Size	Version	Clamping range	Anodised
4F75008	30	Cut to size (max. 6000 mm)	3 - 6 mm	Clear
4F75009	30	6000 mm bar	3 - 6 mm	Clear
4B95100	40	Cut to size (max. 6000 mm)	0 - 6 mm	Clear
4B95101	40	6000 mm bar	0 - 6 mm	Clear
4B95008	40	Cut to size (max. 6000 mm)	4 - 10 mm	Clear
4B95009	40	6000 mm bar	4 - 10 mm	Clear

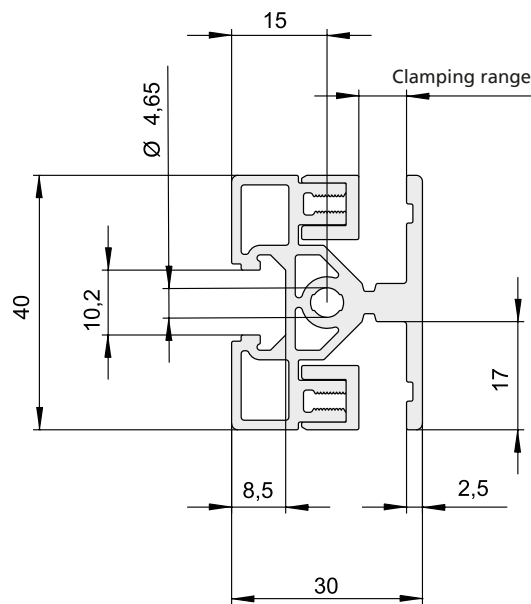
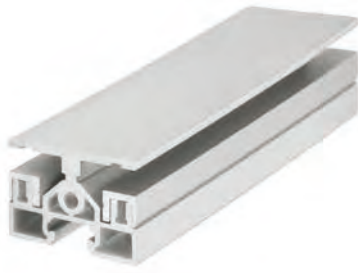
## Clamping profile KLD



Code No.	Size	Version	Clamping range	Anodised
4615100	40	Cut to size (max. 6000 mm)	0 - 6 mm	Clear
4615101	40	6000 mm bar	0 - 6 mm	Clear
4615008	40	Cut to size (max. 6000 mm)	4 - 10 mm	Clear
4615009	40	6000 mm bar	4 - 10 mm	Clear

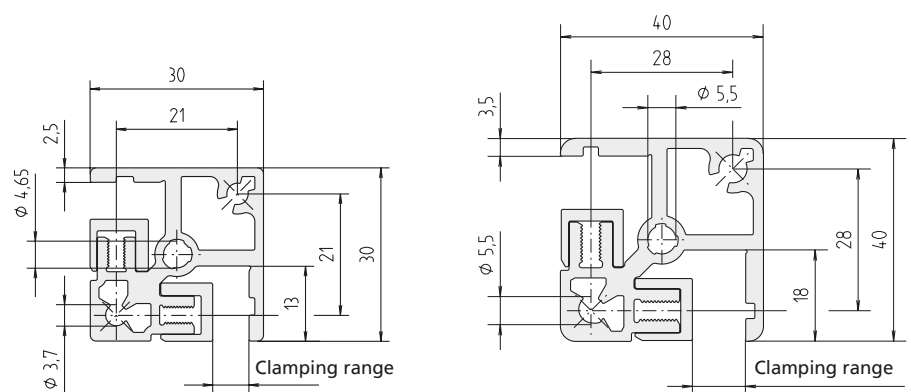


## Clamping profile KLD



Code No.	Size	Version	Clamping range	Anodised
4F85008	30x40	Cut to size (max. 6000 mm)	3 - 6 mm	Clear
4F85009	30x40	6000 mm bar	3 - 6 mm	Clear

## Clamping profile KLE

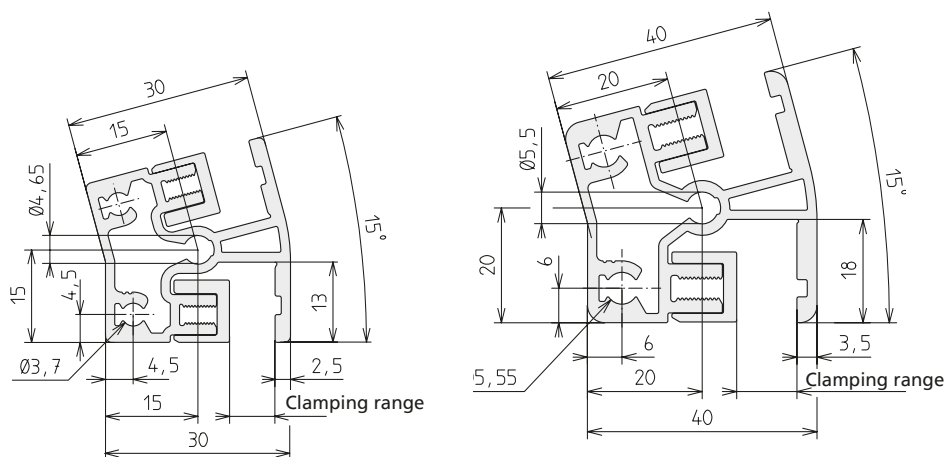


Code No.	Size	Version	Clamping range	Anodised
4705008	30	Cut to size (max. 6000 mm)	3 - 6 mm	Clear
4705009	30	6000 mm bar	3 - 6 mm	Clear
4715100	40	Cut to size (max. 6000 mm)	0 - 6 mm	Clear
4715101	40	6000 mm bar	0 - 6 mm	Clear
4715008	40	Cut to size (max. 6000 mm)	4 - 10 mm	Clear
4715009	40	6000 mm bar	4 - 10 mm	Clear

# Profiles



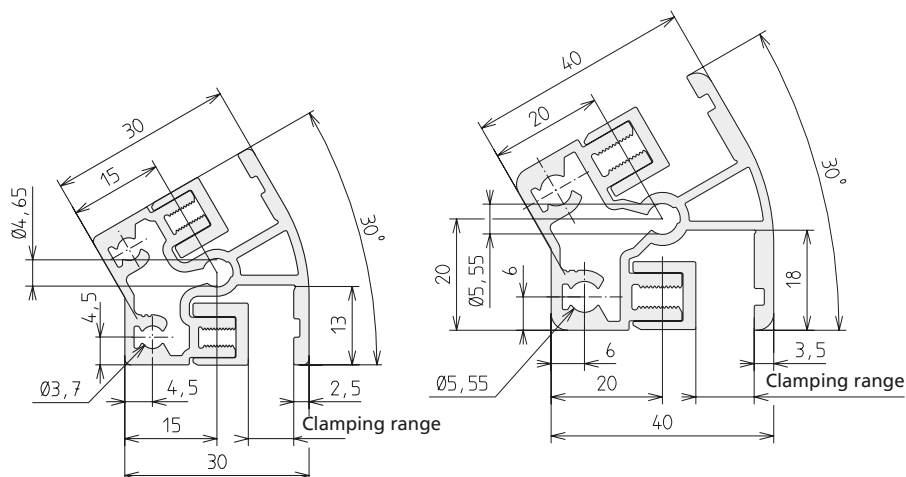
## Clamping profile KLV-15



Code No.	Size	Version	Clamping range	Anodised
4405000	30	Cut to size (max. 6000 mm)	3 - 6 mm	Clear
4405001	30	6000 mm bar	3 - 6 mm	Clear
4455100	40	Cut to size (max. 6000 mm)	0 - 6 mm	Clear
4455101	40	6000 mm bar	0 - 6 mm	Clear
4455000	40	Cut to size (max. 6000 mm)	4 - 10 mm	Clear
4455001	40	6000 mm bar	4 - 10 mm	Clear

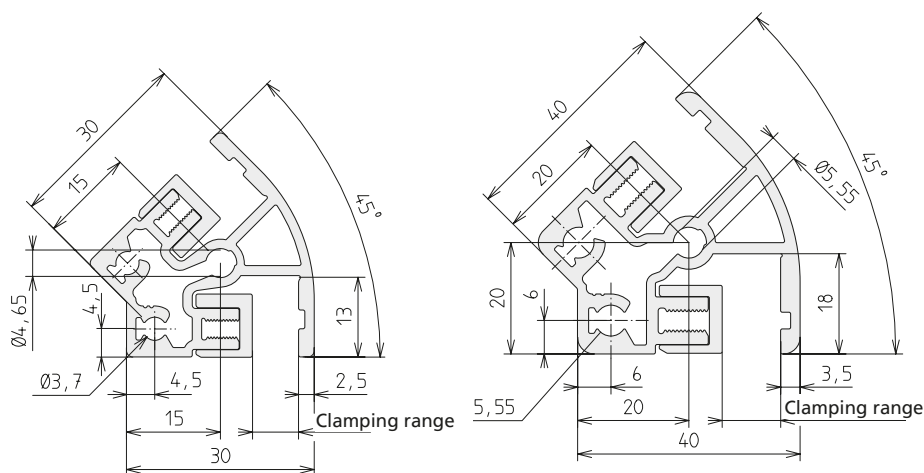


### Clamping profile KLV-30



Code No.	Size	Version	Clamping range	Anodised
4415000	30	Cut to size (max. 6000 mm)	3 - 6 mm	Clear
4415001	30	6000 mm bar	3 - 6 mm	Clear
4465100	40	Cut to size (max. 6000 mm)	0 - 6 mm	Clear
4465101	40	6000 mm bar	0 - 6 mm	Clear
4465000	40	Cut to size (max. 6000 mm)	4 - 10 mm	Clear
4465001	40	6000 mm bar	4 - 10 mm	Clear

### Clamping profile KLV-45

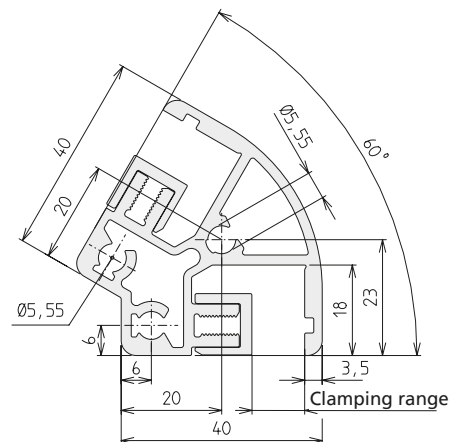
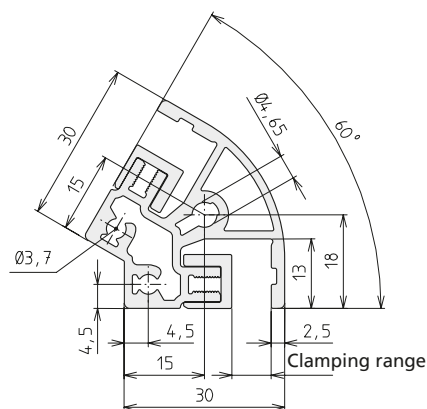


Code No.	Size	Version	Clamping range	Anodised
4425000	30	Cut to size (max. 6000 mm)	3 - 6 mm	Clear
4425001	30	6000 mm bar	3 - 6 mm	Clear
4475100	40	Cut to size (max. 6000 mm)	0 - 6 mm	Clear
4475101	40	6000 mm bar	0 - 6 mm	Clear
4475000	40	Cut to size (max. 6000 mm)	4 - 10 mm	Clear
4475001	40	6000 mm bar	4 - 10 mm	Clear

## Safety guards

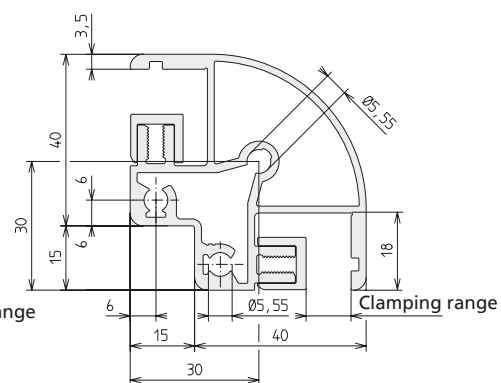
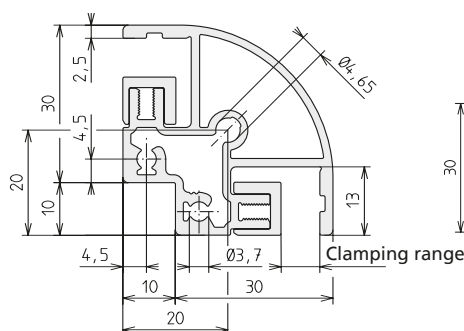
# Profiles

### Clamping profile KLV-60



Code No.	Size	Version	Clamping range	Anodised
4445000	30	Cut to size (max. 6000 mm)	3 - 6 mm	Clear
4445001	30	6000 mm bar	3 - 6 mm	Clear
4495100	40	Cut to size (max. 6000 mm)	0 - 6 mm	Clear
4495101	40	6000 mm bar	0 - 6 mm	Clear
4495000	40	Cut to size (max. 6000 mm)	4 - 10 mm	Clear
4495001	40	6000 mm bar	4 - 10 mm	Clear

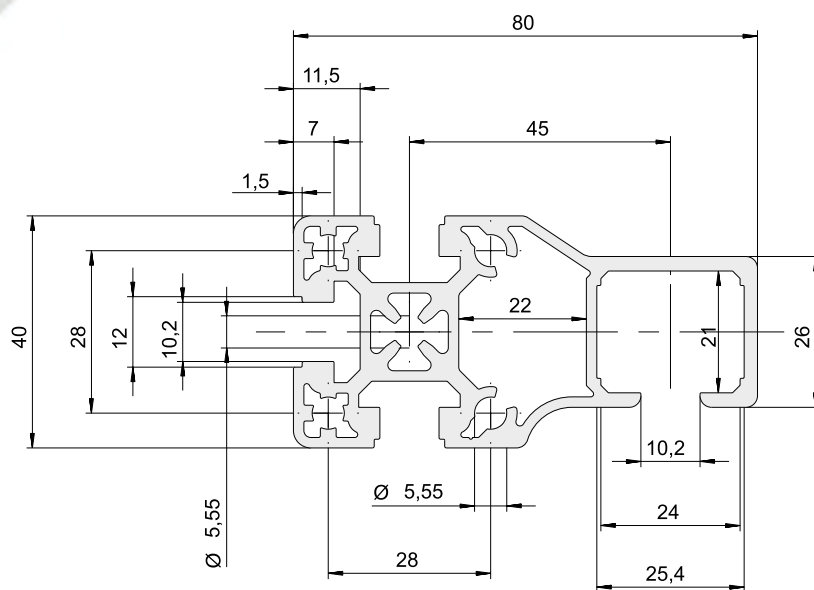
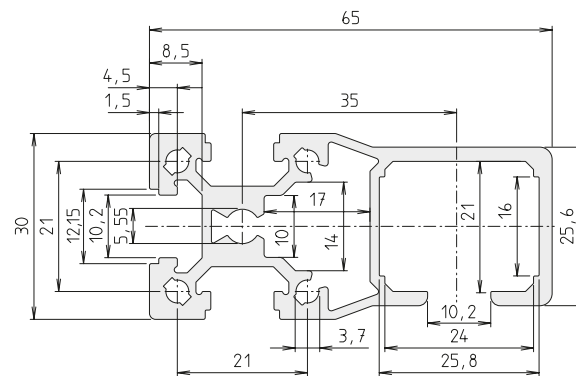
### Clamping profile KLV-90



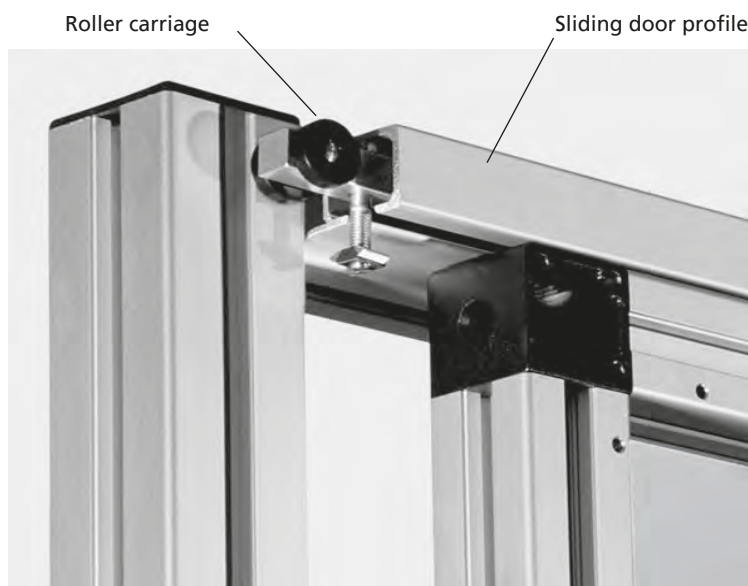
Code No.	Size	Version	Clamping range	Anodised
4435000	30	Cut to size (max. 6000 mm)	3 - 6 mm	Clear
4435001	30	6000 mm bar	3 - 6 mm	Clear
4485100	40	Cut to size (max. 6000 mm)	0 - 6 mm	Clear
4485101	40	6000 mm bar	0 - 6 mm	Clear
4485000	40	Cut to size (max. 6000 mm)	4 - 10 mm	Clear
4485001	40	6000 mm bar	4 - 10 mm	Clear



### Sliding door profile STP



Code No.	Size	Version	Anodised
4175000	30	Cut to size (max. 6000 mm)	Clear
4175001	30	6000 mm bar	Clear
4185000	40	Cut to size (max. 6000 mm)	Clear
4185001	40	6000 mm bar	Clear

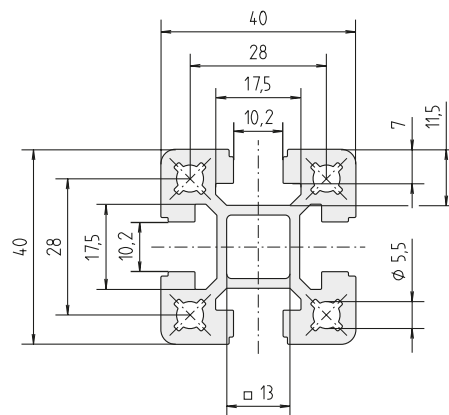


Application example sliding door profile

## Safety guards

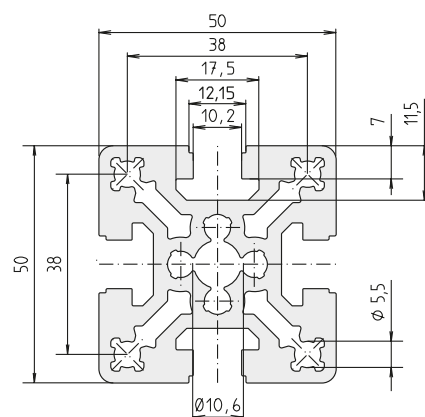
# Profiles

### Pillar profile S-40x40



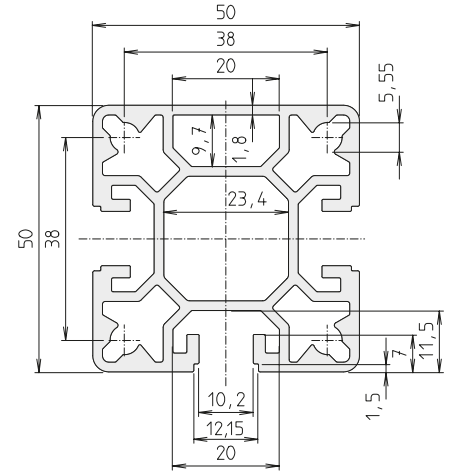
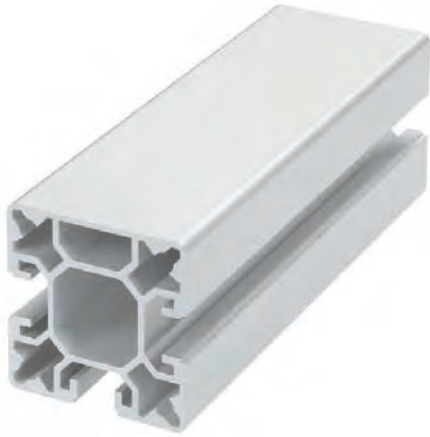
Code No.	Size	Version	Anodised
4015000	40	Cut to size (max. 6000 mm)	Clear
4015001	40	6000 mm bar	Clear

### Pillar profile F-50x50



Code No.	Size	Version	Anodised
4085000	50	Cut to size (max. 6000 mm)	Clear
4085001	50	6000 mm bar	Clear

## Pillar profile SP-50x50



Code No.	Size	Version	Anodised
4635000	50	Cut to size (max. 6000 mm)	Clear
4635001	50	6000 mm bar	Clear



Pillar profile see page 438–439

Base clamp, page 440

Complete pillars, page 418

# Accessories

## Base clamp FVV

- Clamp to take size 40 and 50 pillar profiles. See pag 438–439.
- Set screws can be used to compensate for unevenness.
- Levelling shims give the base clamp a full contact surface.

### Base clamp

**Material:** Gravity die-cast aluminium

### Includes:

Clamp, set screw and clamping screws

### Supporting shim

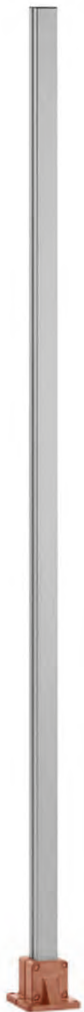
**Material:** Steel

**Includes:** One 1-mm shim

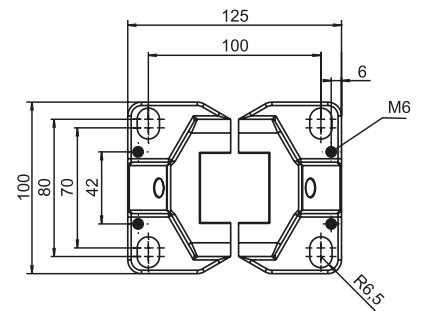
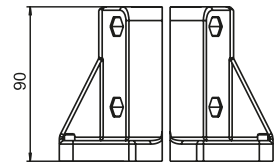
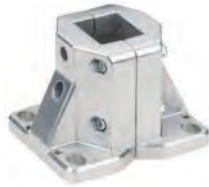
### Levelling shims

**Material:** Aluminium

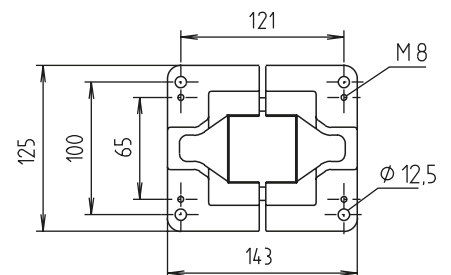
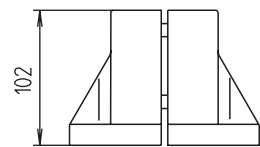
**Includes:** The Code No. includes one set of 4 1-mm shims and 1 0.5-mm shim.



For pillar profile S-40x40



For pillar profile 50, F-50x50



Code No.	Type
4014312	Base clamp FVV-S 40
4084300	Base clamp FVV-S 50
4080500	Supporting shim for FVV 50
40143011	Levelling shims for FVV 40
40143021	Levelling shims for FVV 50





**Order instruction:**

- Purchase only in lot sizes and a multiple of that see product table below

- For fixing type 1 and 2 base versions (see page ) and the 60° support (see below) to the substrate.

**Material:**  
Galvanised steel.

**Fixing bolt**



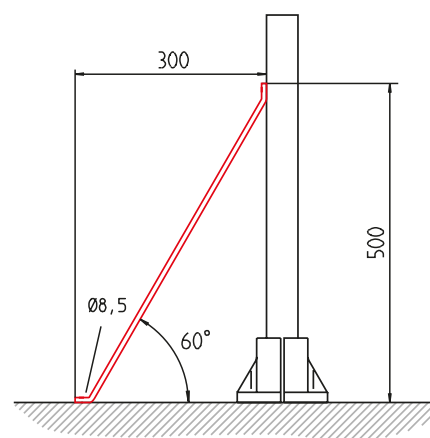
Code No.	Type	lot sizes	length	Hole diameter
4016611	HLA	4, 8, 12... pcs	110	12
4016612	BA	4, 8, 12... pcs	115	8

[mm]

**Support**

**Material:**  
Black powder-coated steel,  
Galvanised fastenings.

**Includes:**  
Comple with fixing for pillar profile. (For floor fixing, see above)



Code No.	Type
4082561	Support 60°

## Safety guards

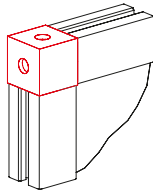
# Accessories

### Order instruction:

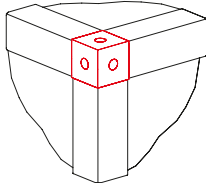
- Purchase only in lot sizes and a multiple of that see product table below

### Corner joint

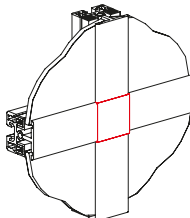
Version KL



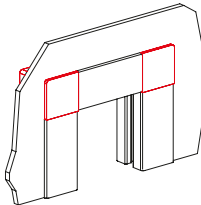
Version KLE



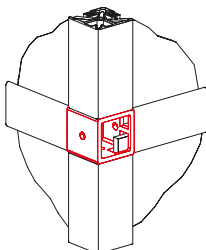
Version KLK



Version KLA



Version KLV



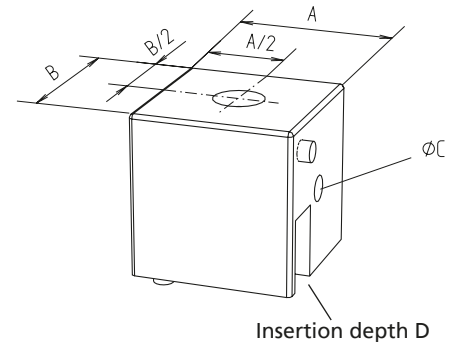
- Connection element for right-angled connections for clamping and inserting profiles (see page 428–429).
- The fixing screws are inserted directly into the profile. Centring pins prevent profile torsion.
- With versions KL/KLE, the screw holes can optionally be sealed with a plastic cap.

### Material:

Die-cast zinc, gravity die-cast aluminium (see table)

### Includes:

Includes all parts required to fully assemble one corner joint



[mm]

Code No.	Type	lot sizes	For profile	A	B	C	D
<b>Die-cast zinc</b>							
4202409	KLA 30	4, 8, 12...pcs	KL,ESP,ESP-2	30	30	5,4	13
4212409	KLA 40	4, 8, 12...pcs		40	40	6,4	18
<b>Gravity die-cast aluminium</b>							
4202408	KLK 30	4, 8, 12...pcs	KLD	30	30	5,4	13
4212408	KLK 40	4, 8, 12...pcs	KLD	40	40	6,4	18
4202407	KLV 30	4, 8, 12...pcs	KLE,KLD	30	30	5,4	13
4212407	KLV 40	4, 8, 12...pcs		40	40	6,4	18

Code No.	Type	lot sizes	For profile	A	B	C	D
<b>Die-cast zinc</b>							
4202406	KL 30	4, 8, 12...pcs	KL,ESP,ESP-2, F-/G/GG/2G/3G	30	30	5,4	20
4212406	KL 40	4, 8, 12...pcs		40	40	6,4	27
4702406	KLE 30	4, 8, 12...pcs	KLE,F-/G/GG, 2G/3G	30	30	5,4	13
4712406	KLE 40	4, 8, 12...pcs		40	40	6,4	18

### Stopper (black)

40185971	KL/KLE 30	100, 200, 300... pcs	
40185981	KL/KLE 40	100, 200, 300... pcs	

### Cap (black)

4000421	KL 30	10, 20, 30... pcs	
4010421	KL 40	10, 20, 30... pcs	

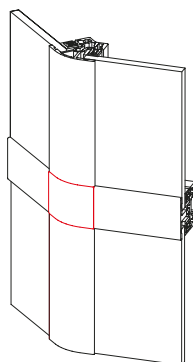
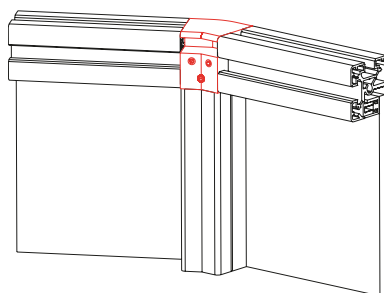


### Corner joint

Corner joint KLW



Corner joint KLWK



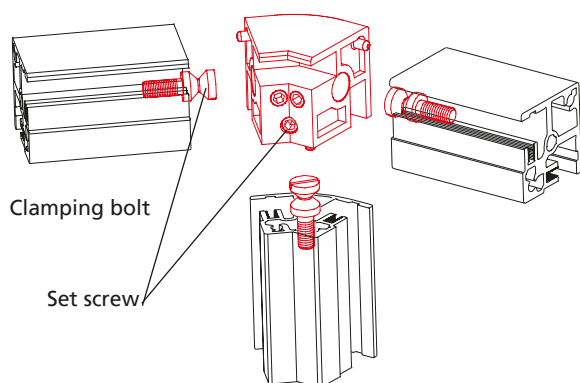
- Connection element for assembling profile angle brackets and clamping profiles
- Centring pin provides rotation locking

**Material:**

Die-cast zinc, black powder-coated aluminium (see table)

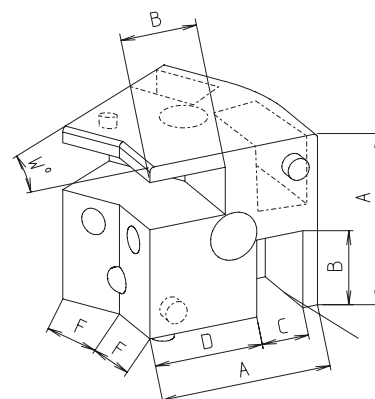
**Includes:**

Includes all parts required to fully assemble one corner joint



#### Assembly steps

1. Screw clamping bolt into profile
2. Put together with corner joint
3. Tighten set screw on corner joint – done!



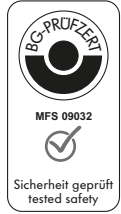
\*If using W-profiles, the corners of panels may have to be notched.

Code No.	Type	For profile*	A	B	C	D	F	W
<b>Die-cast zinc</b>								
4412406	KLW 30-30	KLW 30-30, KL, KLE, ESP 30	30	13	8	19.5	11.0	30°
4422406	KLW 30-45	KLW 30-45, KL, KLE, ESP 30	30	13	8	19.5	8.8	45°
4622406	KLW 30-60	KLW 30-60, KL, KLE, ESP 30	30	13	8	19.5	8	60°
4432406	KLW 30-90	KLW 30-90, KL, KLE, ESP 30	30	13	8	19.5	10.0	90°
4472406	KLW 40-45	KLW 40-45, KL, KLE, ESP 40	40	18	11	25.5	11.7	45°
4632406	KLW 40-60	KLW 40-60, KL, KLE, ESP 40	40	18	11	25.5	11.5	60°
4482406	KLW 40-90	KLW 40-90, KL, KLE, ESP 40	40	18	11	25.5	15.0	90°
<b>Black powder-coated aluminium</b>								
4402406	KLW 30-15	KLW 30-15, KL, KLE, ESP 30	30	13	8	19.5	13.0	15°
4452406	KLW 40-15	KLW 40-15, KL, KLE, ESP 40	40	18	11	25.5	17.4	15°
4462406	KLW 40-30	KLW 40-30, KL, KLE, ESP 40	40	18	11	25.5	14.6	30°
4422407	KLWK 30-45	KLW 30-45, KLD 30	30	13	8	19.5	8.8	45°
4472407	KLWK 40-45	KLW 40-45, KLD 40	40	18	11	25.5	11.7	45°

**Safety guards**

**Accessories**

**Connection element -S- (Click&Safe)**



- Operation complies with EU Machinery Directive 2006/42/EC
- Extremely quick and simple assembly without tools and without fastenings
- Angle compensation  $\pm 5$  degrees between post and frame
- Disassembly only possible with a special unlocking tool according to the machinery directive

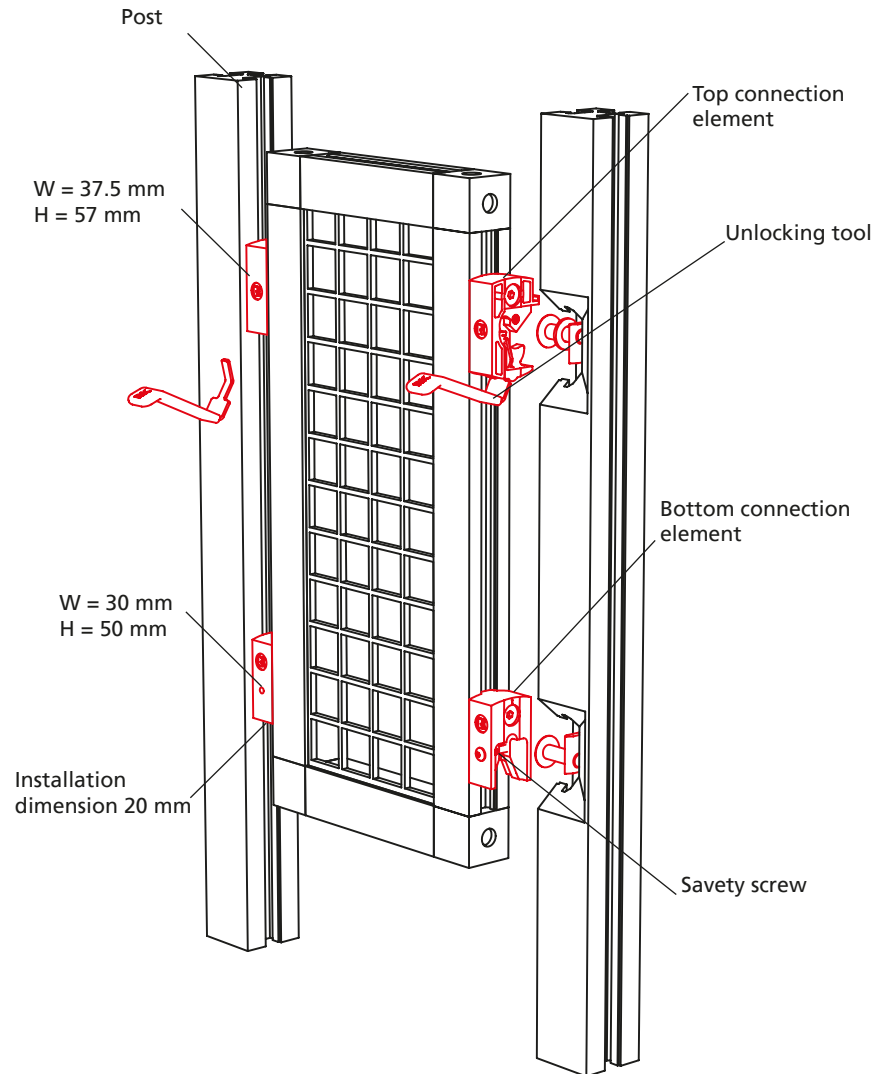
**Material:**  
Black plastic, galvanised steel fastenings

**Includes:**  
Connection elements to take one profile frame (2 tops, 2 bottoms, fastenings)

Connection element



Unlocking tool



According to the machinery directive 2006/42/EC (valid from 29/12/2009)

Code No.	Type	Slot geometry
4000657	Connection element 30	30
4010657	Connection element 40	40
4000658	Connection element 30-40	30 to 40
4016697	Unlocking tool, set of 2	



**Assembly:**

1) Insert frame into the lower holder.



2) Press frame into the holder at the top.  
The safety guard element automatically engages and locks.

**Done!**



A safety guard element is disassembled with a special unlocking tool according to the machinery directive.

## Safety guards

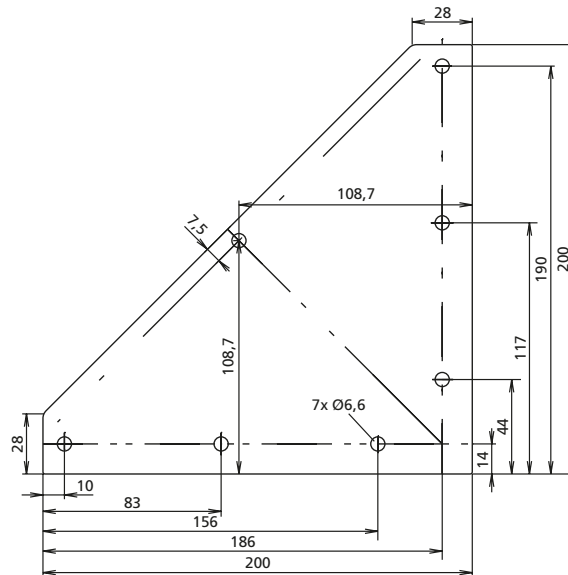
# Accessories

### Bracing plate



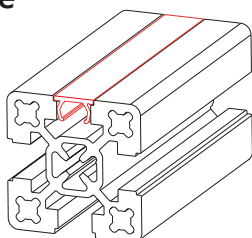
- For additional reinforcement if required

**Material:**  
Black powder-coated steel, galvanised fastenings  
**Includes:**  
Complete with fixing set



Code No.	Slot geometry
4012112	40

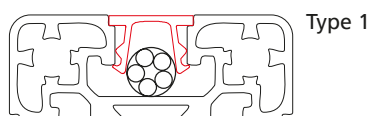
### Cover profile



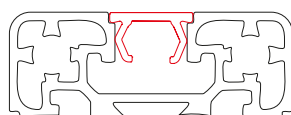
- For the flush covering of longitudinal slots.
- Due to the geometry of type 1, it is possible to route leads in the slot. Type 2, on the other hand, is easier to take out of the profile slot (without leaving residues).

**Material:**  
Plastic, further special colours available on request

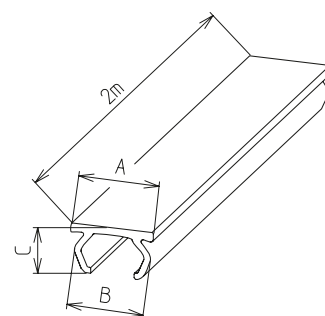
White RAL 9006	
Grey RAL 7035	
Yellow RAL 1021	
Red RAL 3020	
Blue RAL 5005	
Black RAL 9005	



Type 1



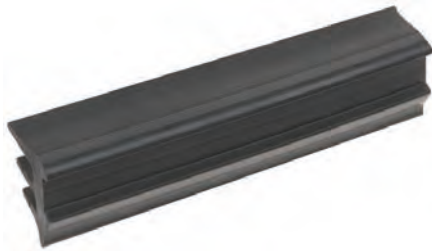
Type 2



Code No.	Type	Colour	A	B	C
4000575	2	Grey	12	11.2	6.4
4000577	2	White	12	11.2	6.4
4000579	2	Yellow	12	11.2	6.4
4000581	2	Red	12	11.2	6.4
4000583	2	Blue	12	11.2	6.4
4000570	2	Black	12	11.2	6.4
4000585	1	Yellow	12	11.2	6.4
4008570	1	Black	12	11.2	6.4
4000586	1	Transparent	12	11.2	6.4

Please note that, for typographical reasons, the colours illustrated here are only an approximation of the RAL colours.

### Profile seal



- For sealing panels (see page „Panels“ on page 463). The clampable wall thickness is reduced by 2 mm.

**Material:**  
Black plastic

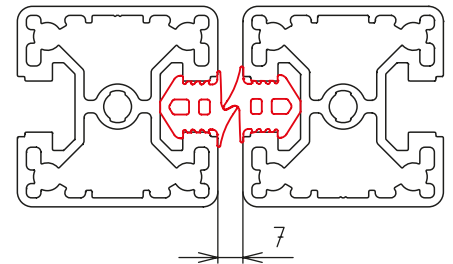
Code No.	Sealing	For panel thickness	Slot geometry	Length
421857110000	1-sided	*For all clamping profiles	30, 40	10 m
421857150000				50 m
4218571100000				100 m

### Door gap seal



- Acts as a door stop
- Compensates for variation in the door gap width

**Material:**  
Black plastic  
**Shore hardness:**  
55 Shore



Code No.	Type	Slot geometry
401851810000	Door gap seal, 10 m roll	40
401851850000	Door gap seal, 50 m roll	40
4018518100000	Door gap seal, 100 m roll	40

### Rim

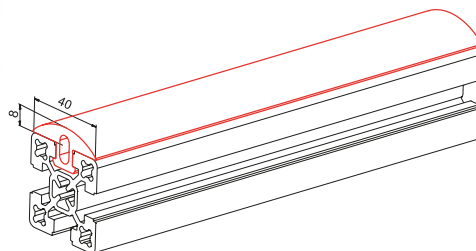


- The rim is simply pressed into the profile slot and protects the structure against damage.

- Application examples include door stop protection or as edge protection when handling structures.

- The profile is available to cut to size or on a roll.

**Material:** Black plastic  
**Shore hardness:** 70 Shore



Code No.	Type	Slot geometry
4018594	Rim, 30 m roll	40
401859910000	Rim, 10 m roll	40

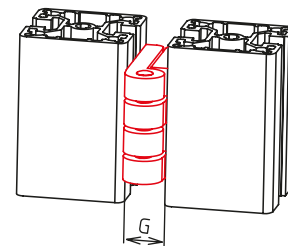
## Safety guards

# Accessories

## Hinges

**Material:**  
Black anodised aluminium,  
galvanised steel parts

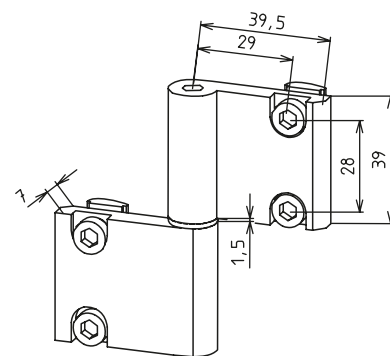
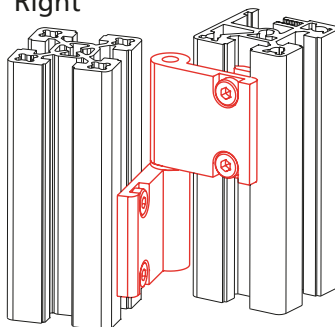
**Includes:**  
With fixing set



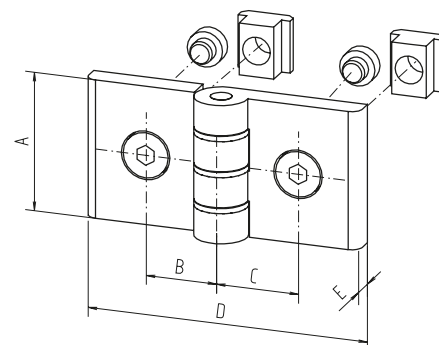
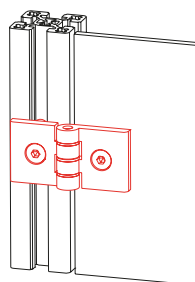
Lift off hinge (narrow)



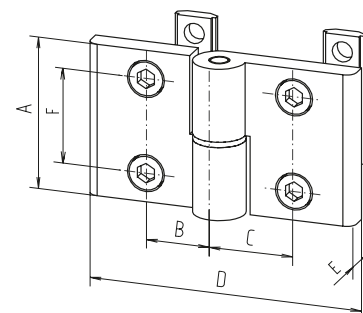
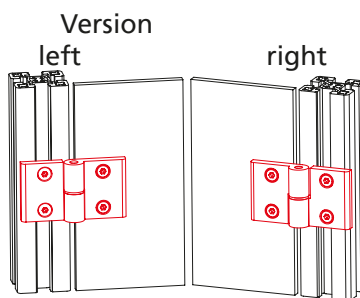
Version  
Right



Butt hinge



Lift off hinge



\*For further versions,  
please see section III

Code No.	Type	A	B	C	D	E	F	G	
4015525	Butt hinge, 40 slot geometry	40	22	22	79	7	-	15	
4015520	Lift off hinge, 40 slot geometry, left	45	22	22	79	7	28	15	
4015521	Lift off hinge, 40 slot geometry, left	45	22	22	79	7	28	15	
4015523	Lift off hinge, narrow, 40 slot geometry, left							See diagram	7.5
4015522	Lift off hinge, narrow, 40 slot geometry, right								7.5



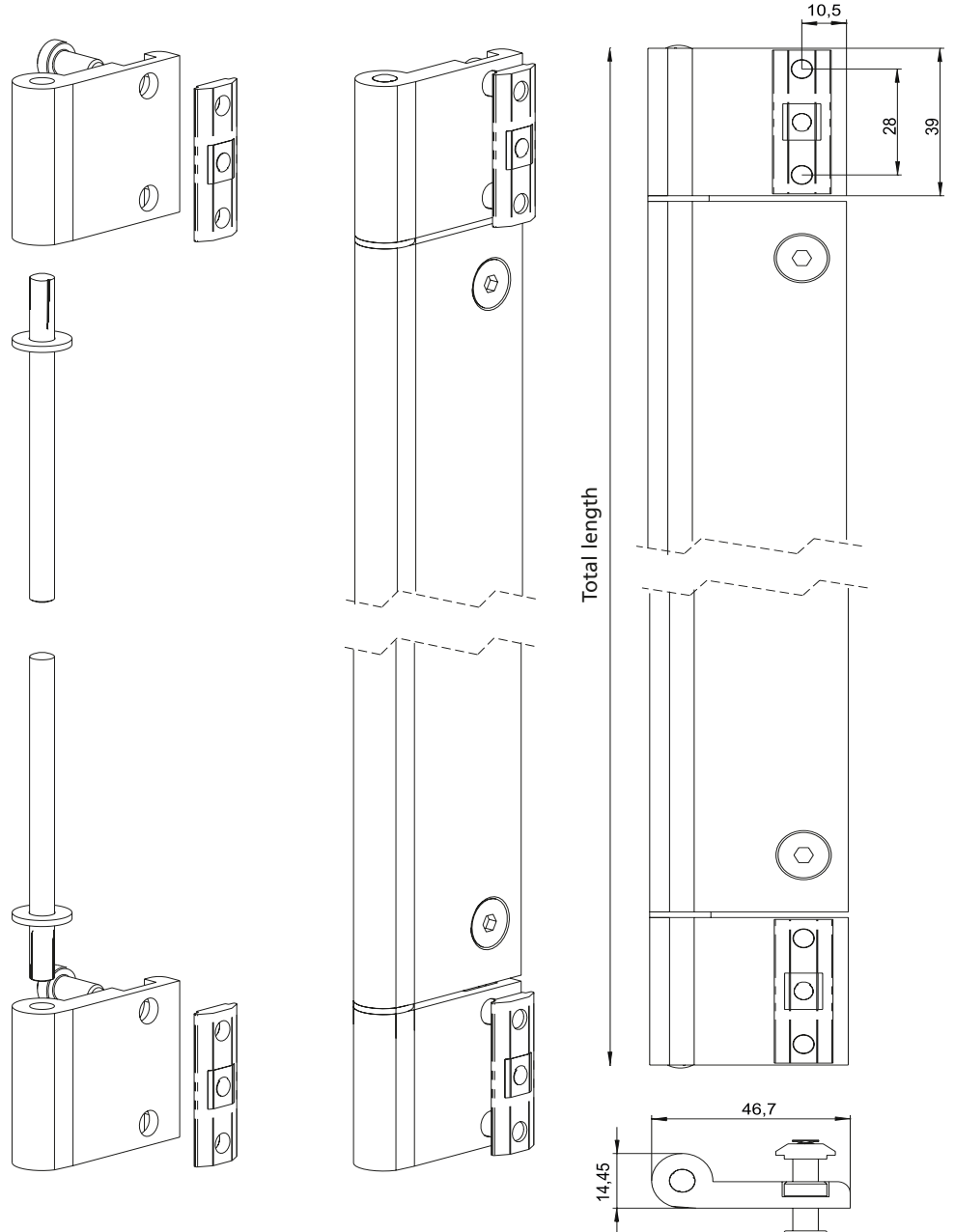


### Piano hinge

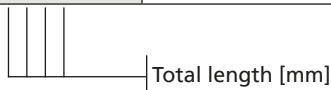
- Variable in length
- Taylor-made orderable

**Material:**  
aluminium clear anodized  
sliding disks plastic  
dowel pins, galvanised steel

**Includes:**  
complete with fixing set



Code No.	Type	length	Max. length	Slot geometry
4010627 _ _ _ _	Band hinge complete	200	2500	40



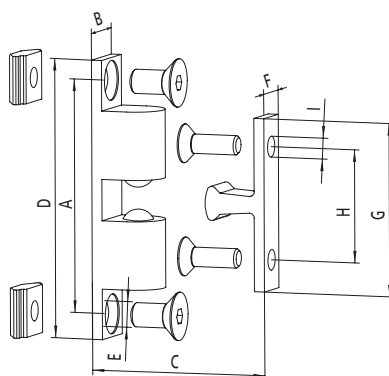
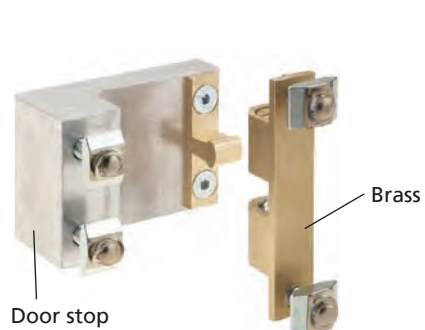
## Safety guards

# Accessories

### Ball catch

**Material:**  
Aluminium, brass

**Fixing:**  
Galvanised steel.



Code No.	Type	A	B	C <sub>min</sub>	D	E	F	G	H	I
4010606	Without door stop	48.5	12	11.6	58	5.3	8.5	36	23.5	4.3
4000608	With door stop for fixing profile 30 to 30									
4010607	With door stop for fixing profile 30 to 40									
4010608	With door stop for fixing profile 40 to 40									
4000609	With door stop for fixing profile 50 to 50									

## Magnetic lock

- Suitable from profile size 40.  
Complete with fixing set.

**Material:**  
Plastic, galvanised steel parts.

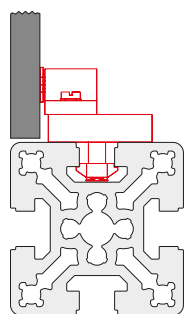
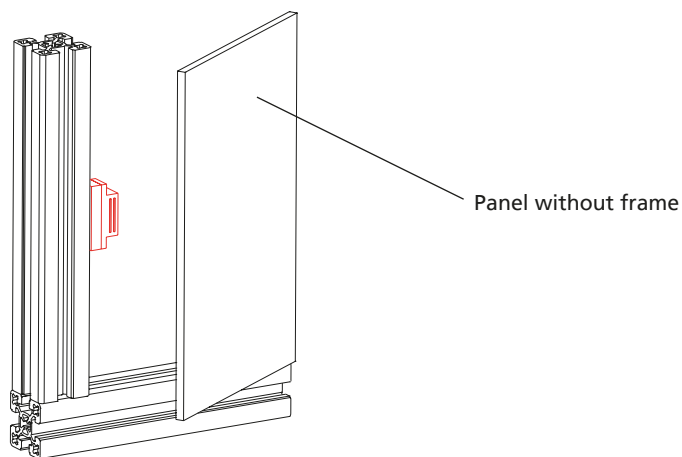


Fig. 1

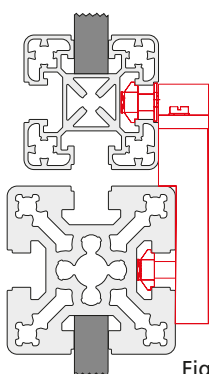


Fig. 2

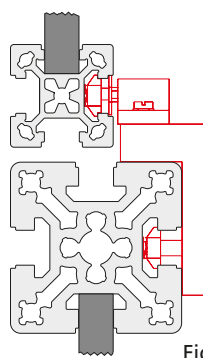
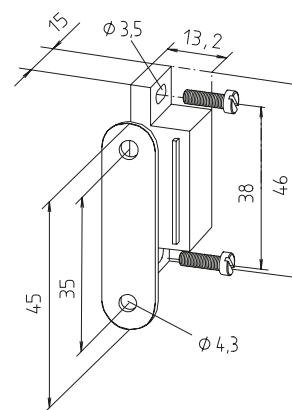


Fig. 3



Code No.	Profile assembly	Installation	Sim. to fig.
4010605	From 30	Without frame	1
4010604	From 30	Profiles centr.	2
4000610	30 to 30	Profiles centr.	2
4010611	40 to 30	Profiles centr.	2
4010612	40 to 30	Profiles flush	3
4080603	50 to 30	Profiles flush	3
4080606	50 to 40	Profiles centr.	2
4080604	50 to 40	Profiles flush	3

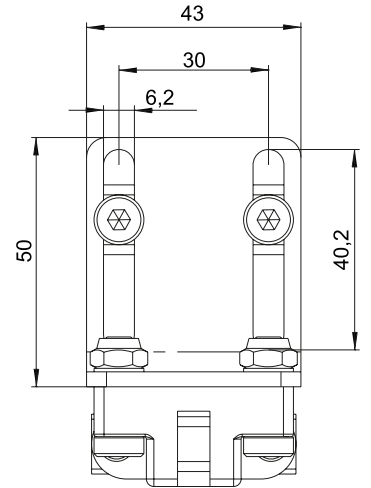
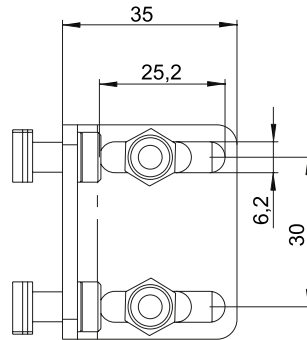
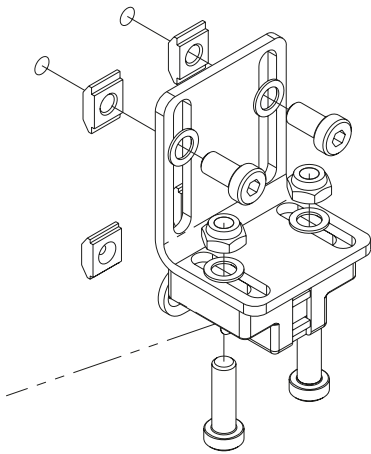
Safety guards

# Accessories

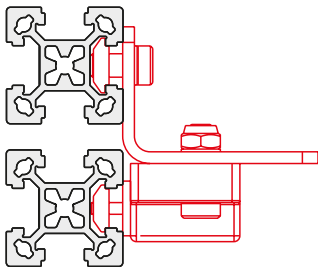
## Magnetic lock universal

- Suitable from profile size 30 for all assembly versions
- Holding force 10/20 N depends on mounting direction

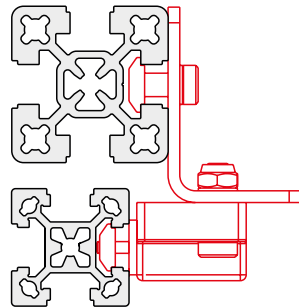
**Material:**  
polyamide glasfibre reinforced  
steel parts zincplated



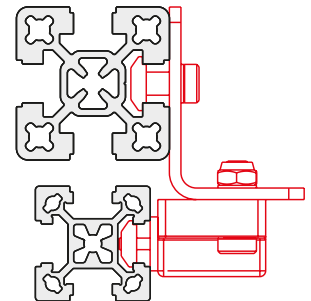
■ Assembly versions



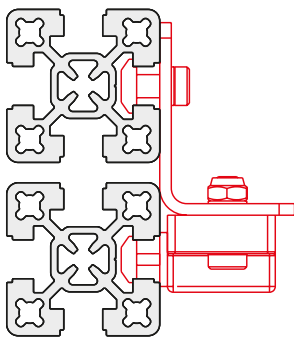
30 to 30 - Profile



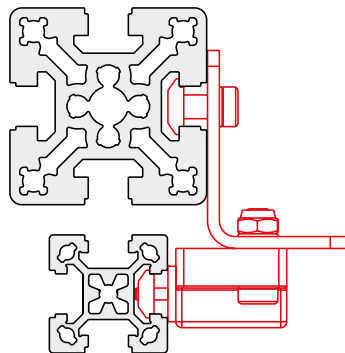
30 to 40 - Profile flush



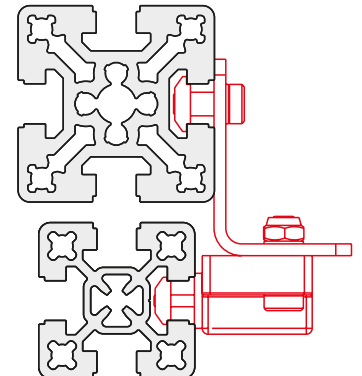
30 to 40 - Profile centred



40 to 40 - Profile



30 to 50 - Profile centred



40 to 50 - Profile centred

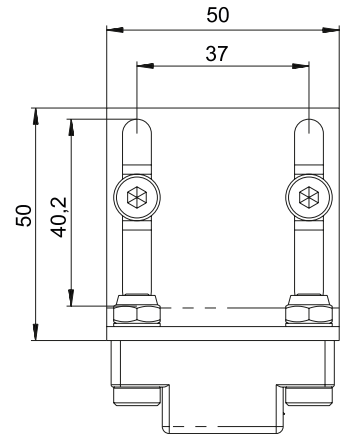
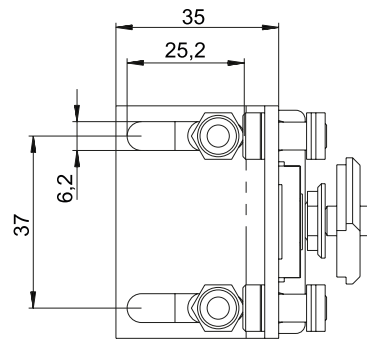
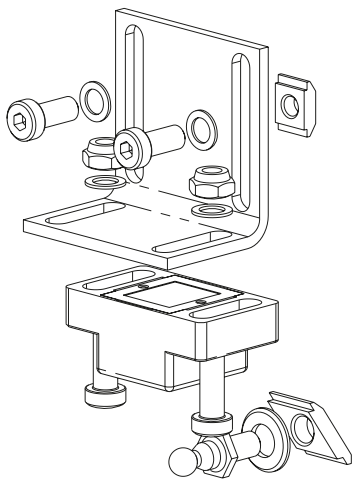
Code No.	Type	Slot geom.
4010625	Magnetic lock universal with fixing set	30/40
4010626	Magnetic lock universal without fixing set	—



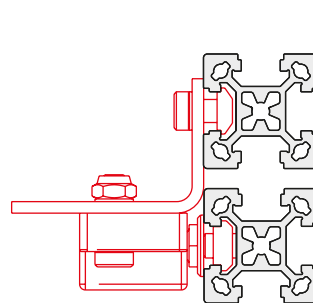
### Ball catch universal

- Suitable from profile size 30 for all assembly versions
- Holding force 50 N

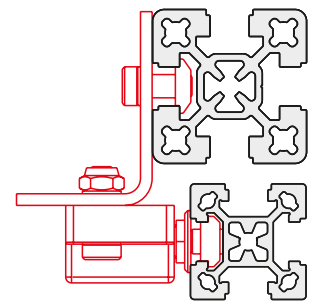
**Material:**  
polyamide glasfibre reinforced  
steel parts zinplated



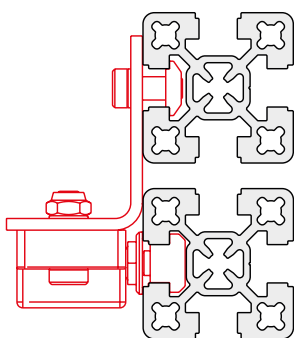
- Assembly versions



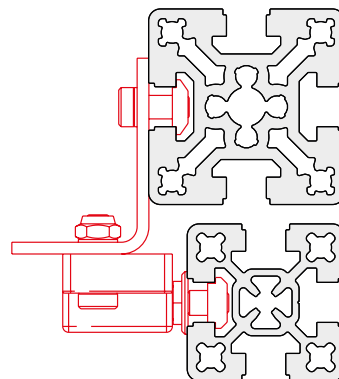
30 to 30 - Profile



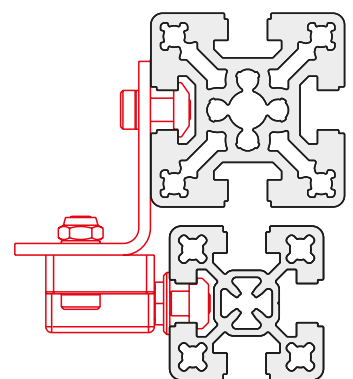
30 to 40 - Profile flush



40 to 40 - Profile



40 to 50 - Profile flush



40 to 50 - Profile centred

Code No.	Type	Slot geom.
4010630	Ball catch universal with fixing set	30/40
4010631	Ball catch universal without fixing set	—

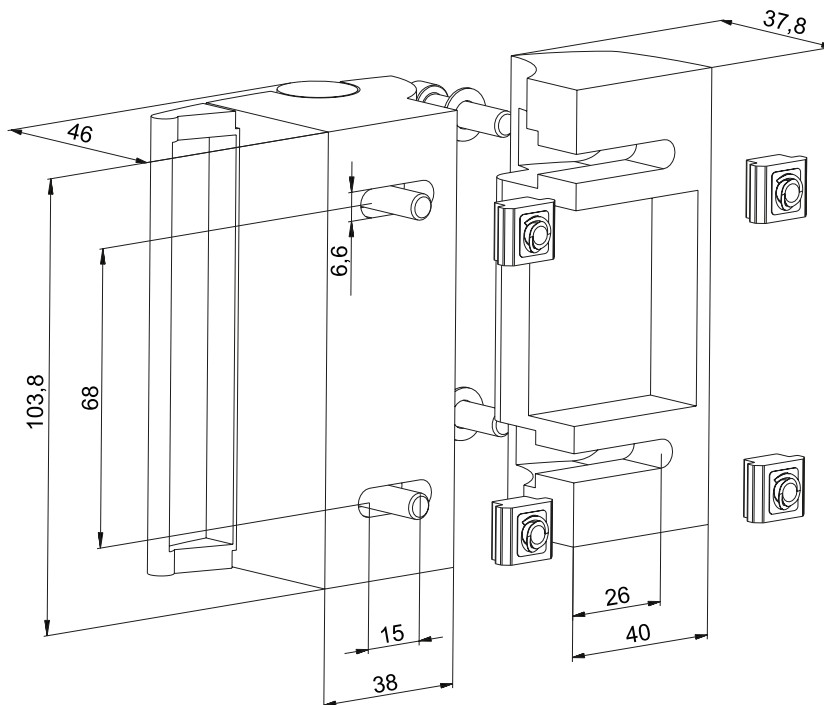
Safety guards

# Accessories

## Slam Latch PRO



**Material:** die-cast aluminium  
black powder-coated  
**Includes:**  
complete with fixing set.



[mm]

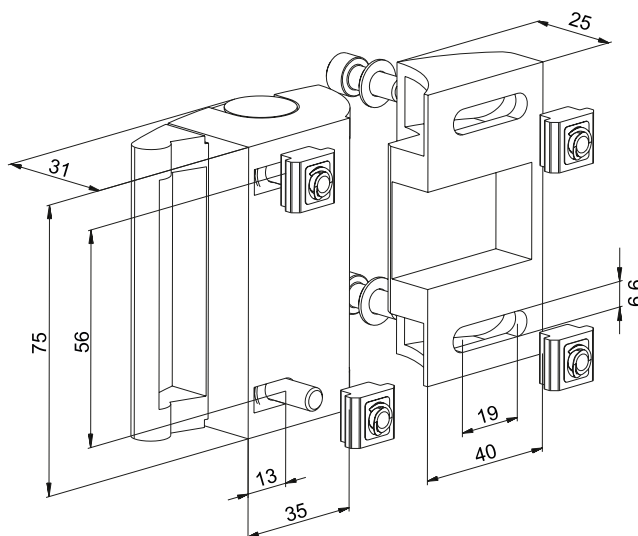
Code No.	Slot geometry
401A530	40

## Slam Latch Compact



**Material:**  
die-cast aluminium  
black powder-coated

**Includes:**  
complete with fixing set.



[mm]

Code No.	Slot geometry
401A531	40

## Door stopper

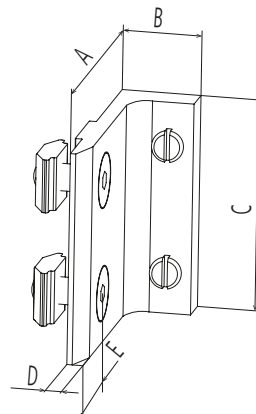
- Suitable from profile size 40.

**Material:**  
Black plastic

**Includes:**  
With fastenings,  
galvanised steel



Set screws for fine adjustment of the door



							[mm]
Code No.	Slot geometry	A	B	C	D	E	
4008650	30	34	14.7	40	3	11	
4018650	40	44	14,7	40	3	16	

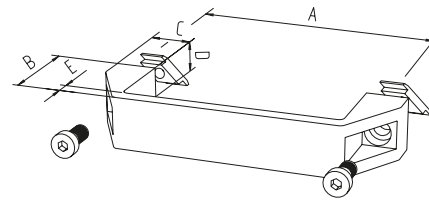
## Handle

**Material size 150 and 197:**  
Black plastic, fibreglass-reinforced

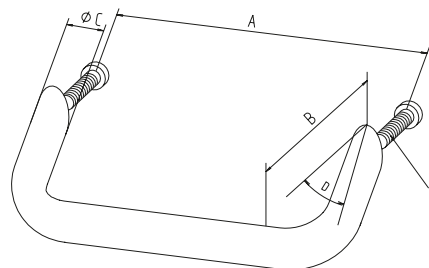
**Includes:**  
With fastenings,  
galvanised steel.

**Material size 152:**  
Black powder-coated aluminium

Size 150 and 197



Size 152



								[mm]
Code No.	Size	Slot geometry	A	B	C	D	E	
4005596	152	Drill	128	50	20	35°	M6x30	
4015598	152	Drill	128	50	20	35°	M6x40	
4008596	150	30	131	44	21	27	7	
4015596	150	40	131	44	21	27	7	
4015597	197	40	178	50	22	28	7	

## Safety guards

# Accessories

### Door lock -KL-

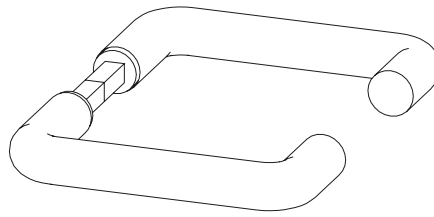
- Installation between two clamping profiles without additional profile machining
- Version available with door handle or panic lock

**Material:**  
Gravity die-cast aluminium,  
galvanised steel

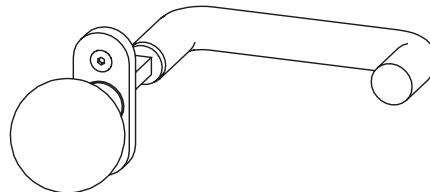
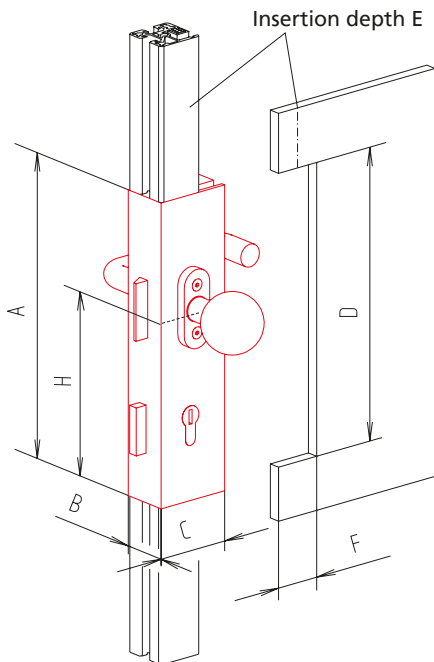
**Includes:**  
complete door lock with  
cylinder lock, handle set  
and fastenings



Sliding door version



Handle set  
with hinged door  
and sliding door



Handle set with  
hinged door with panic lock  
(one fixed knob,  
one door handle)

[mm]

Code No.	Version	A	B	C	D	E	F	H
4210630	For hinged door KL 40, right	255	40	65	242	15	32	161.5
4210631	For hinged door KL 40, left	255	40	65	242	15	32	161.5
4210632	For hinged door KL 40 with panic lock, right	255	40	65	242	15	32	161.5
4210633	For hinged door KL 40 with panic lock, left	255	40	65	242	15	32	161.5
4210636	For sliding door KL 40, right	255	40	65	242	15	32	132
4210637	For sliding door KL 40, left	255	40	65	242	15	32	132



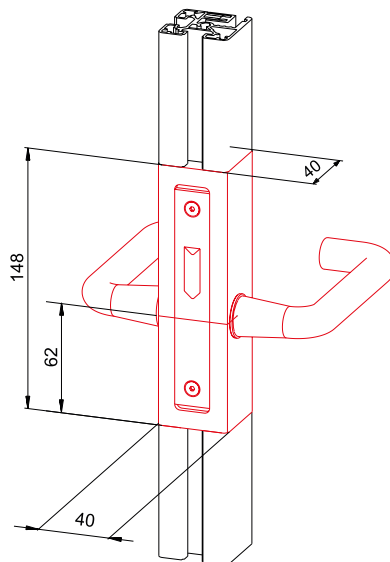


### Door lock Typ 2 - KL 40

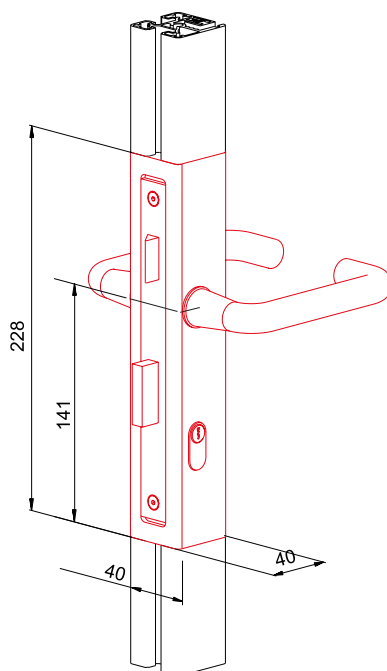
- Installation between clamping profiles no additional required machining

**Material:** aluminium clear anodized, galvanised steel

**Includes:** complete door lock with housing, handle set and fastenings



Code No.	Type
4215632	Door lock Typ 2 - KL 40 right without cylinder lock
4215633	Door lock Typ 2 - KL 40 left without cylinder lock



Code No.	Type
4215630	Door lock Type 2 - KL 40 right with cylinder lock
4215631	Door lock Typ 2 - KL 40 left with cylinder lock

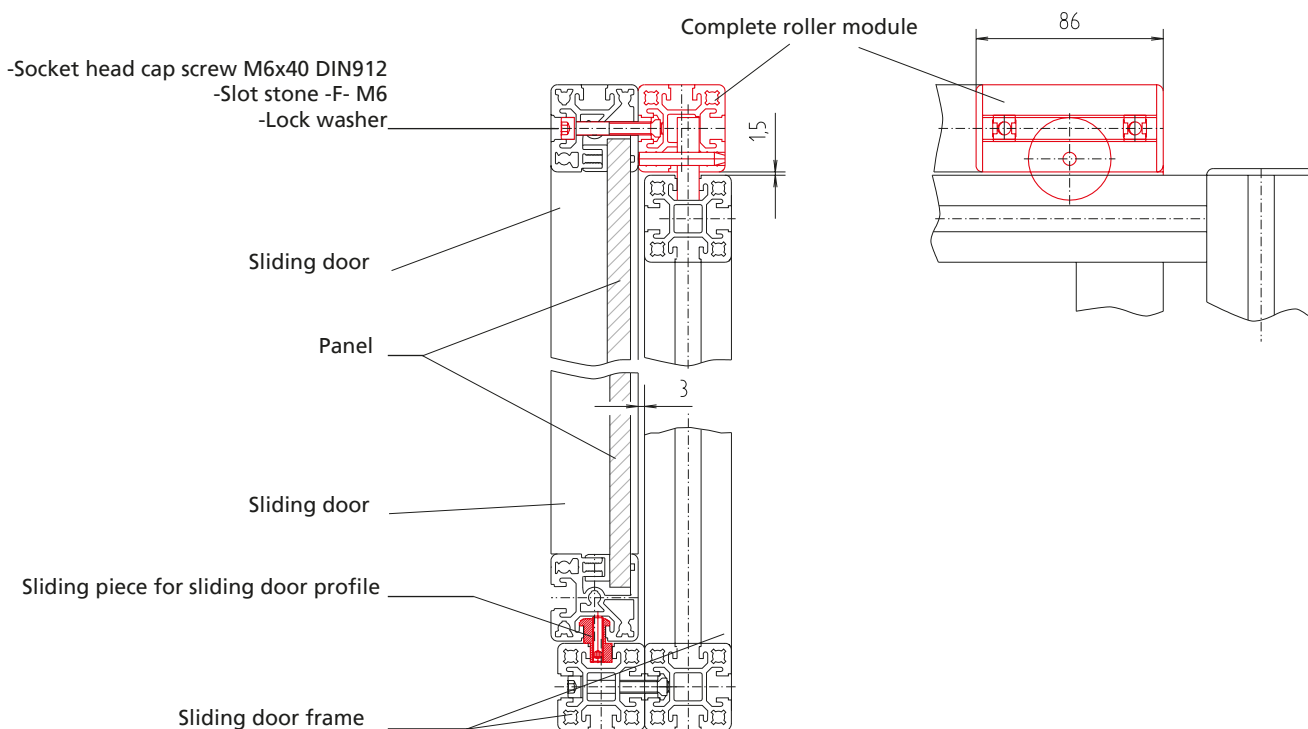
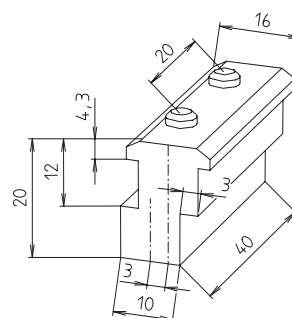
# Accessories

## Roller module / sliding piece

- Primarily for use in sliding doors
- Profile slot fixation
- Very good running properties thanks to large roller diameter
- Sliding pieces act as a guide at the bottom of the sliding doors

**Material:**  
Plastic roller, plastic sliding piece

**Includes:**  
Roller module complete with roller, cover plates and fastenings.  
Sliding piece with set screws



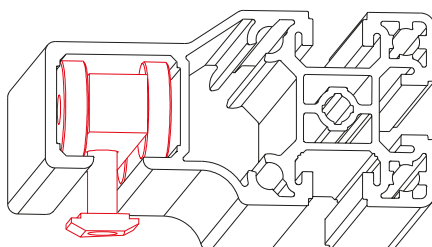
Code No.	Version
4018649	Complete roller carriage, from profile 40x40
4018648	Sliding piece for sliding door guide, from profile 40x40



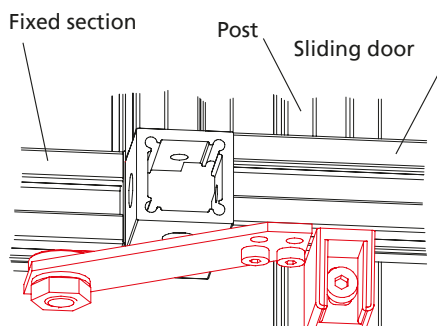
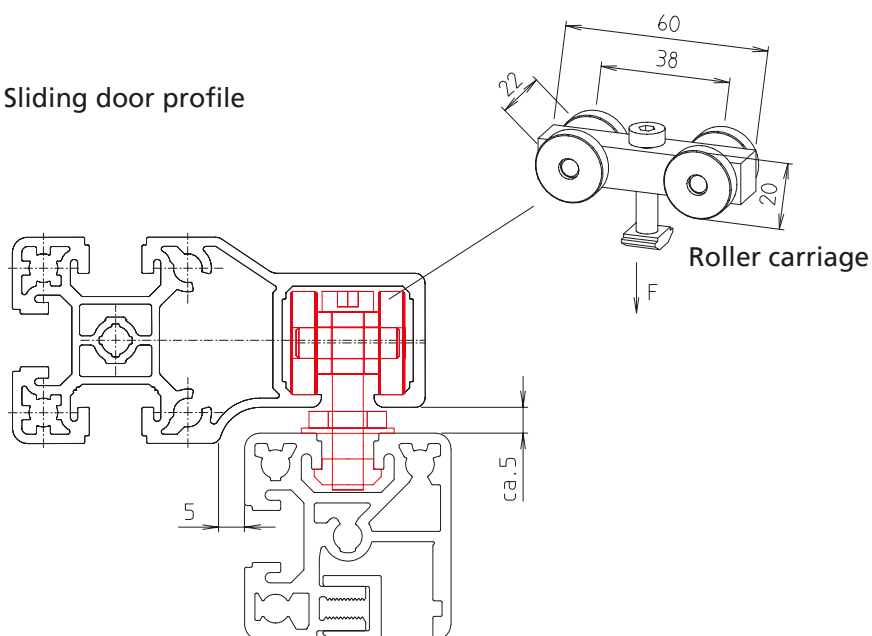
## Roller carriage

- Geared to sliding door profiles 30 and 40 (page 437)
- Can also be used as single components in structures

**Material:**  
Aluminium base body with slide bush, black plastic rollers



Sliding door profile



Bottom guide

Code No.	Type	Version	F
4170601	30	Complete roller carriage	150 N
4180601	40	Complete roller carriage	150 N
4008660	30	Bottom guide	
4018660	40	Bottom guide	

**Safety guards**

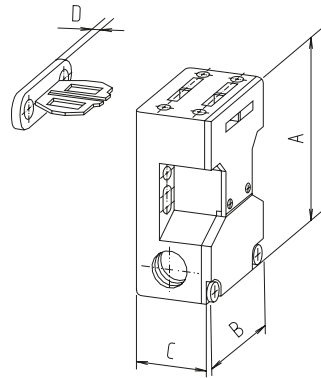
**Accessories**

**Safety switch AZ 15zvr**

- For safely switching off circuits
- Suitable for hinged, flap, sliding and lifting doors

**Technical data:** Self-extinguishing fibreglass-reinforced thermoplastic  
**Actuator key:** Stainless spring steel  
**Degree of protection:** IP67 to IEC 529/EN 60529/DIN VDE 0470-1  
**Contact material:** Fine silver  
**Contact type:** One-pin, double-breaking, positively driven NC to VDE 001  
**Pivot radius:**  $R_{min}$  450 mm  
**Rated isolation voltage:** VI 500 V approx. 25-60 Hz.

**Constant current:** 10 A  
 Rated operating current  $I_u$  AC 11h 4 A (230V), 2,5 A (380 V), 1A (500 W)  
**Short circuit resistance:** 10 A (slow) 16 A (fast). Contact gap 2 x 3 mm.  
**Positive opening travel/force:** 8 mm / approx. 30 N  
**Mech. lifetime:**  $10 \times 10^6$  switching cycles  
**Operating temperature:** -30 to +80°C.

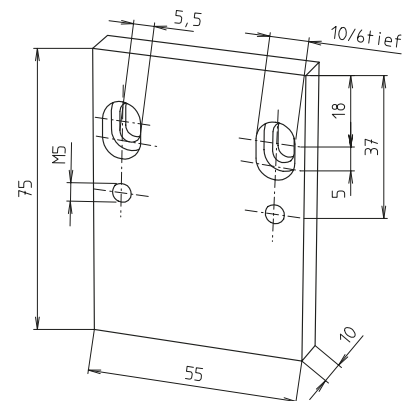
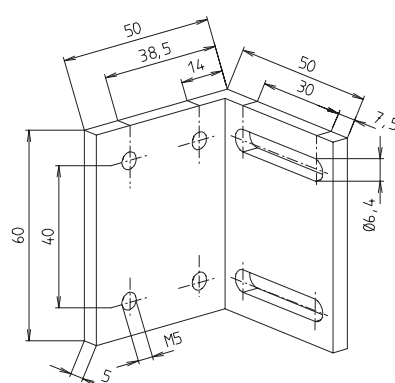
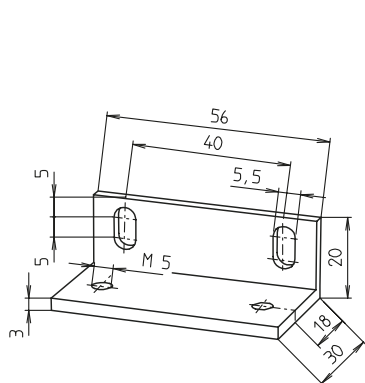


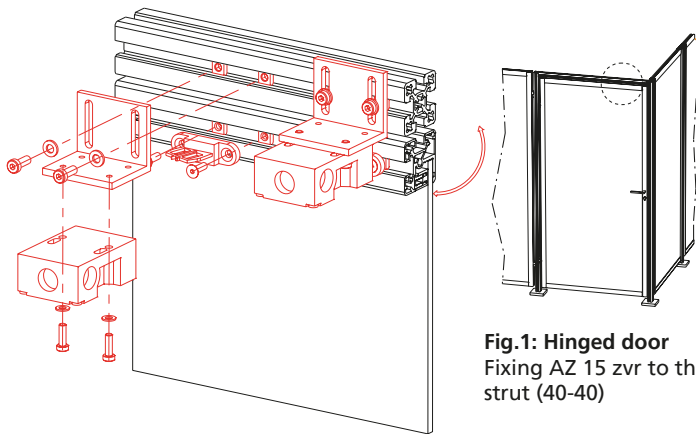
Code No.	Type	A	B	C	D
4010610	AZ 15 zvr for sliding door / lifting door	72	52	30	5
4010613	AZ 15 zvr for sliding door	72	52	30	5
4010614	AZ 15 zvr for flap door	72	52	30	5
4015610	Fixing set for sliding door, hinged door	Fig. 1, 2, 3		40 slot geometry	
4015602	Fixing set for lifting door	Fig. 4			

Further fixing sets available on request

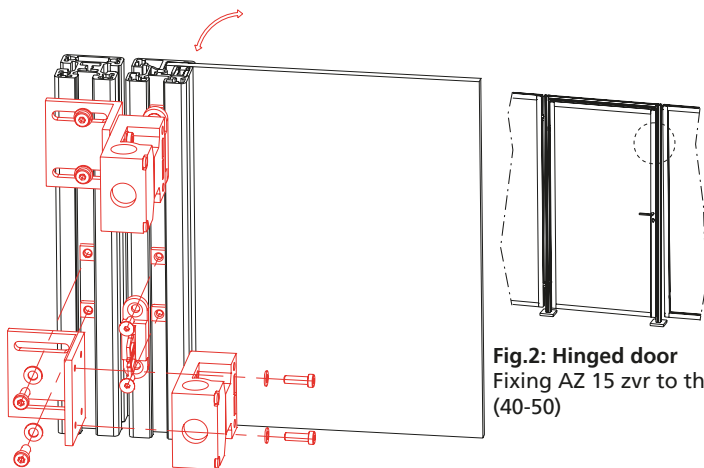
Fixing set for sliding and hinged door.  
See fig. 1-3 on the next page.

Fixing set for lifting door  
See fig. 14 on the next page.

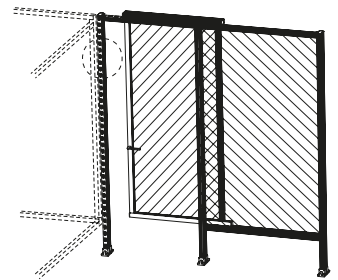




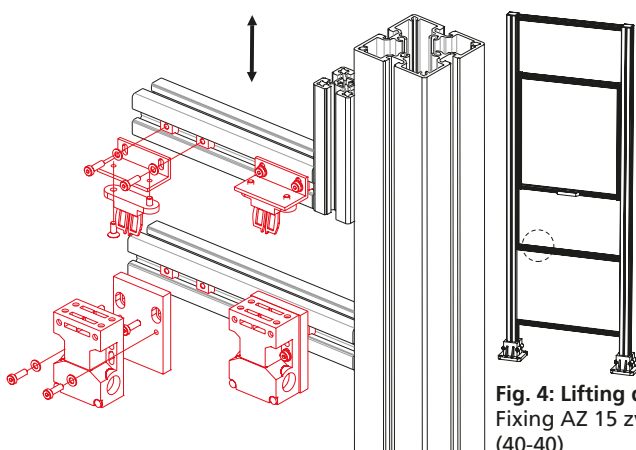
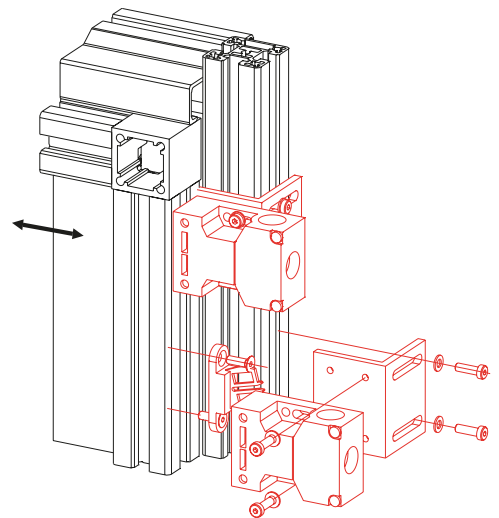
**Fig. 1: Hinged door**  
Fixing AZ 15 zvr to the top strut (40-40)



**Fig. 2: Hinged door**  
Fixing AZ 15 zvr to the side strut (40-50)



**Fig. 3: Sliding door**  
Fixing AZ 15 zvr to the side strut (50-40)



**Fig. 4: Lifting door**  
Fixing AZ 15 zvr to the cross strut (40-40)

**Safety guards**

**Accessories**

**Safety switch AZM 161**

- For safely switching off circuits. Suitable for hinged, sliding and lifting doors.

**Technical data:**

Self-extinguishing fibreglass-reinforced thermoplastic.

**Degree of protection:** IP67 to IEC 529/EN 60529/DIN VDE 0470-1

**Contact type:** One-pin, double-breaking, positively driven NC to VDE 001, additional contacts for signal purposes

**Pivot radius:**  $R_{min}$  900 mm

**Constant current:**

10 A Rated operating current  
1u AC 11h 2 A (230 V)

**Short circuit resistance:**

6 A (slow) as positively driven NC position switch

**Contact type:** One-pin, double-breaking, positively driven NC to VDE 001, additional contacts for signal purposes

**Pivot radius:**  $R_{min}$  900 mm

**Constant current:** 10 A Rated operating current  
1u AC 11h 2 A (230 V)

**Short circuit resistance:**

6 A (slow) as positively driven NC position switch

**Positive opening travel/force:**

8.8 mm / 10 N

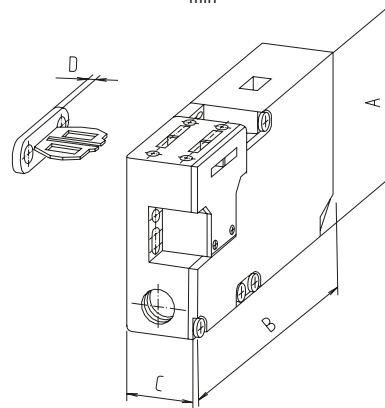
**Locking force  $F_{max}$ :** 2000 N

**Mech. lifetime:**

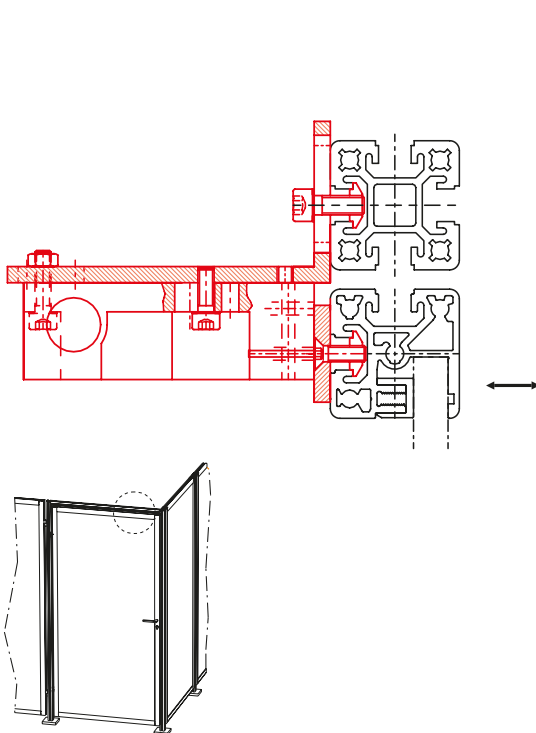
$10 \times 10^6$  switching cycles

**Operating temperature:**

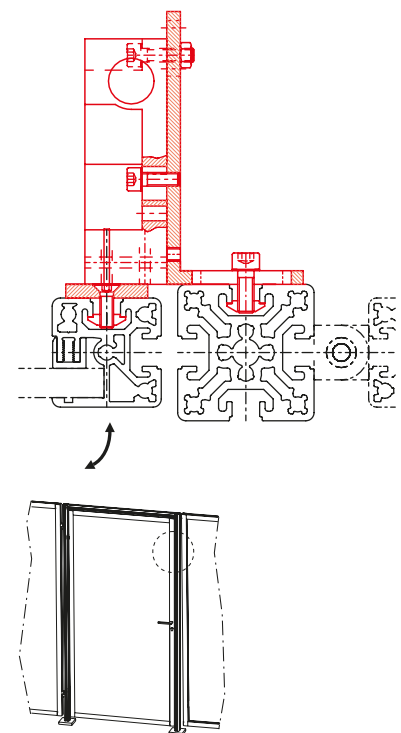
-25 to +60°C.



Code No.	Type	A	B	C	D
4010650	Switch AZM 161, for sliding door/lifting door/hinged door	90	130	30	5



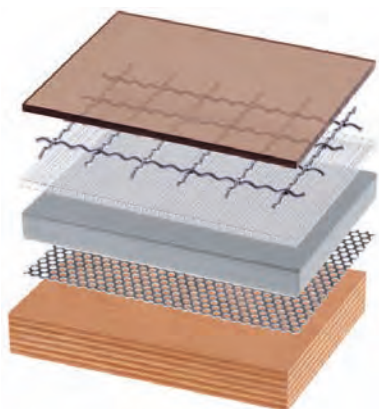
**Fig.1: Hinged door**  
Fixing AZM 161 to the top strut (40-40)



**Fig.2: Hinged door**  
Fixing AZM 161 to the side strut (40-50)

## Panels

- For doors, cladding, safety and table tops
- Cut to specification
- Further panels available on request



Code No.	Type	Thickness	Version	Max. size [mm]	Weight [kg/m <sup>2</sup> ]
4018584	Makrolon	2 mm	Clear	3.050 x 2.050	2.40
4018586	Makrolon	4 mm	Clear	3.050 x 2.050	4.80
4018576	Makrolon	6 mm	Clear	3.050 x 2.050	8.00
4018579	Makrolon	6 mm	Brown tinted	3.050 x 2.050	8.00
4018578	Makrolon	10 mm	Clear	3.050 x 2.050	13.00
4018582	Acrylic glass	4 mm	Clear	3.050 x 2.050	4.80
4018595	Acrylic glass	5 mm	Clear	3.050 x 2.050	6.00
4018563	Acrylic glass	5 mm	Blue, transparent	3.050 x 2.030	6.00
4018575	Acrylic glass	6 mm	Clear	3.050 x 2.050	7.20
4018577	Acrylic glass	10 mm	Clear	3.050 x 2.050	13.00
4012576	Trespa	6 mm	Brown	2.050 x 2.130	8.40
4012586	Trespa	6 mm	Silver-grey	3.050 x 1.530	8.40
4012587	Trespa	10 mm	Silver-grey	3.050 x 1.530	13.00
4018570	Koematex	6 mm	White	3.050 x 2.030	4.20
4018571	Koematex	8 mm	White	3.050 x 2.030	5.60
4018572	Koematex	10 mm	White	3.050 x 2.030	6.00
4012579	Multiplex	30 mm	Untreated	2.500 x 1.500	27.00
4015573	Aluminium	2 mm	Clear anodised	2.000 x 1.000	5.40
4012582	Table top	19 mm	Grey plastic-coated, glued edges	2.000 x 2.075	14.70
4012577	Composite	6 mm	Clear anodised	3.050 x 1.500	7.30
4012511	MDF panel	6 mm	Untreated	2.000 x 2.075	5.00
4012512	MDF panel	8 mm	Untreated	2.000 x 2.075	6.60
4016576	Perforated plate	1 mm	Round holes in staggered rows, galvanised steel	1.000 x 2.000	4.30
4016577	Wire mesh 20x20	2.5 mm	Galvanised steel	2.000 x 1.000	2.40
4016578	Wire mesh 30x30	3 mm	Galvanised steel	2.000 x 3.000	3.70
4016579	Wire mesh 40x40	3.8 mm	Galvanised steel	2.000 x 3.000	4.70

**Safety guards**

# Fax enquiry

RK Rose+Krieger GmbH  
Potsdamer Straße 9  
32423 Minden/Germany  
Telephone: (0571) 9335-0  
Fax: (0571) 9335-119  
E-Mail: anfrage.vertrieb@rk-online.de  
Date:.....

Customer number: .....  
Company: .....  
Project: .....  
Telephone: .....  
E-Mail: .....  
Contact: .....  
Department: .....

**Sketch/description:**



**Safety guard**   
**Protection system**

**Height details**  
2200 mm  1600 mm   
2000 mm  .....mm

Please give details of the module version, panels and doors in the sketch.

Submission of offer / date: .....

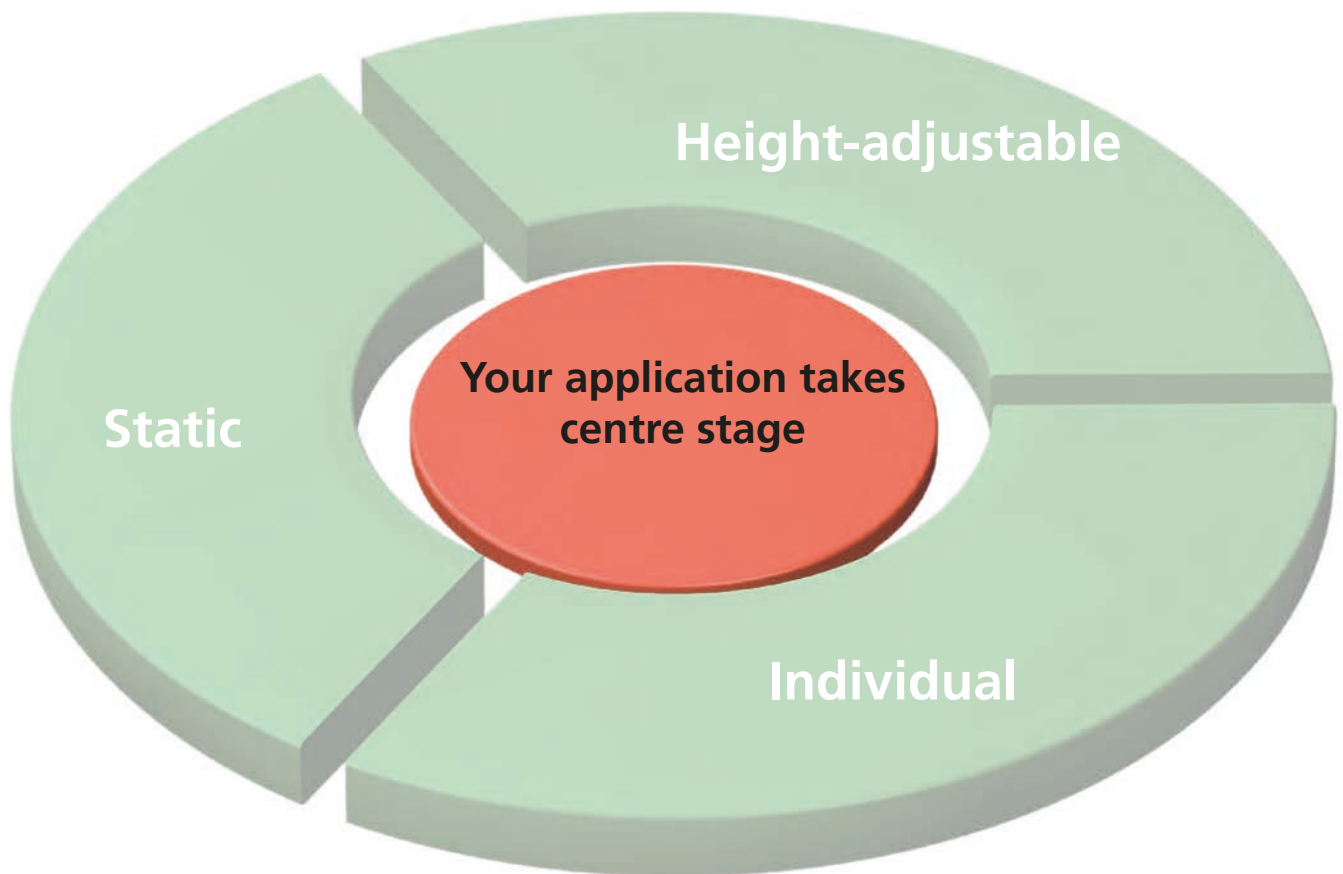
Remarks: .....  
.....





## Assembly workstation system

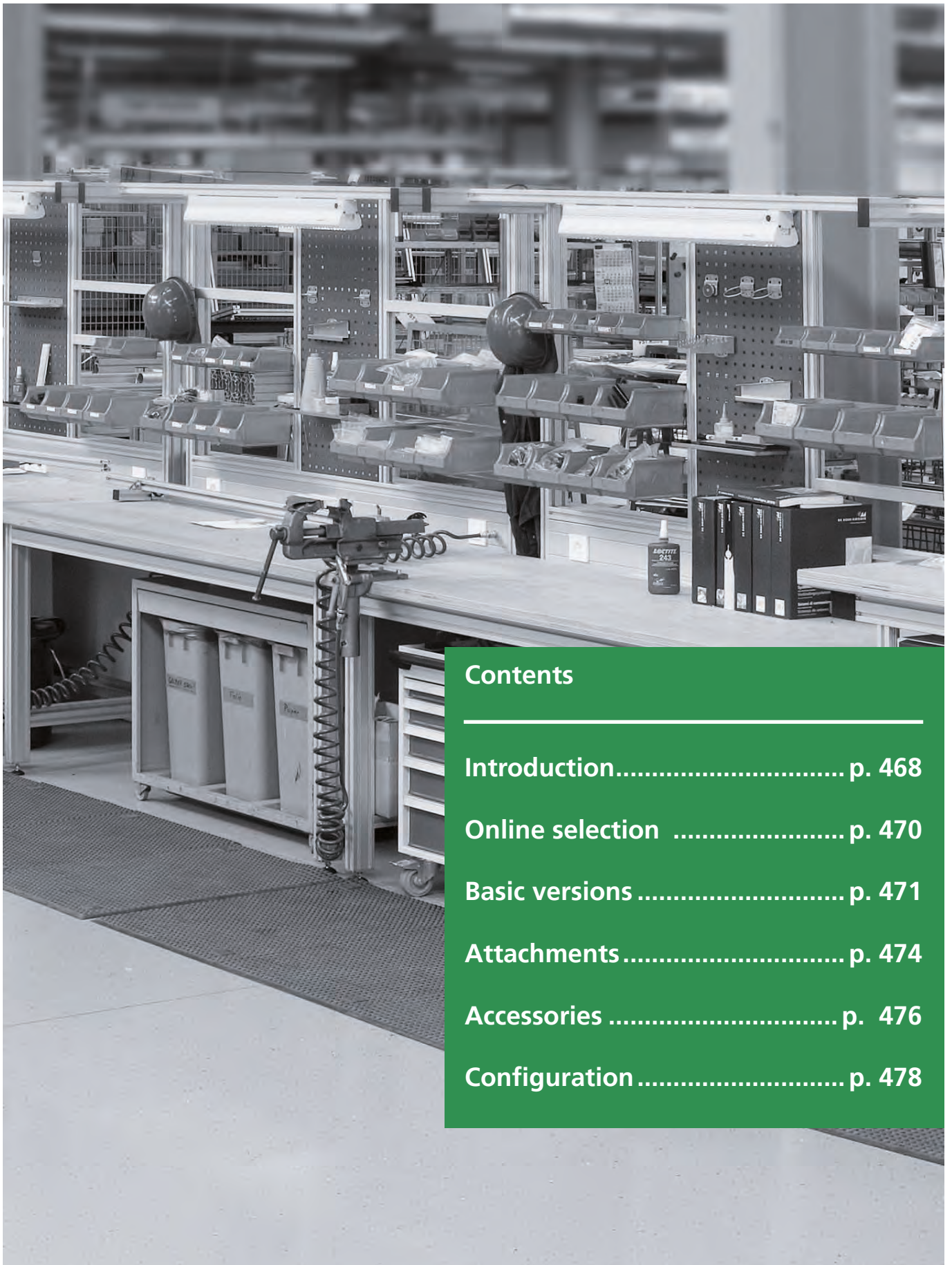
The configurable workstation system was developed to meet ergonomic and task-specific requirements, based on the complete RK Rose+Krieger modular system.



### Features:

- Select the ideal workstation online quickly and easily
- Two basic types: static and height adjustable
- Wide range of accessories
- Send selection enquiry with the click of a mouse





## Contents

Introduction.....	p. 468
Online selection .....	p. 470
Basic versions .....	p. 471
Attachments .....	p. 474
Accessories .....	p. 476
Configuration .....	p. 478

# Assembly workstation system

## Selecting work tables online

With the RK Easywork selection tool, a complete assembly work table can be configured online to meet ergonomic and task-specific requirements.

Step by step, the selection tool guides you through all of the options on the way to creating your ideal workstation.

Additional lighting, holders for grab containers, foot rests, standing chairs and ESD accessories are all available, along with other useful devices.

The RK Easywork workstation system is based on RK Rose+Krieger's complete modular system.

BLOCAN® Structural profiles made from aluminium and the electrically driven lifting columns offer a perfect combination for the creation of high-quality table concepts.

Customers can choose between the simplest static tables or electrically height-adjustable work tables and configure their own combinations.

Ergonomic assembly workstations increase productivity and reduce physical strain.

Being able to adjust the table height to suit the individual operator minimises physical strain and leads to an appreciable increase in productivity of 5%-15% on average.

As a rule, the requirements to be met by an assembly workstation are highly diverse. Workpieces of varying sizes, shapes and weights in small and medium batch production, conversions/extensions of the production processes or modern LEAN workplaces demand a flexible system which can be individually configured or modified as necessary.

Our solution is as individual as your requirements. That is why, in addition to a range of standard tables, we also offer you expert advice and assistance in the implementation of your optimal assembly workstation.





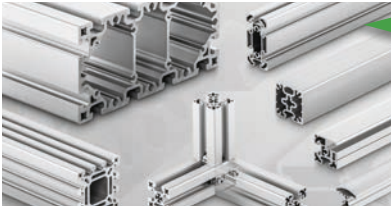
## Table of contents

<b>RK Easywork</b>	Online selection tool..... from p. 470
	Worktables ..... from p. 471
	Attachments ..... from p. 474
	Accessories ..... from p. 476
	Configuration ..... from p. 478

# Assembly workstation system

The RK Easywork workstation system is based on RK Rose+Krieger's complete modular system. We implement your ideas using our versatile RK product range.

## PROFILE TECHNOLOGY



Mix'n'match

## LINEAR TECHNOLOGY



Moving and positioning

## CONNECTING TECHNOLOGY

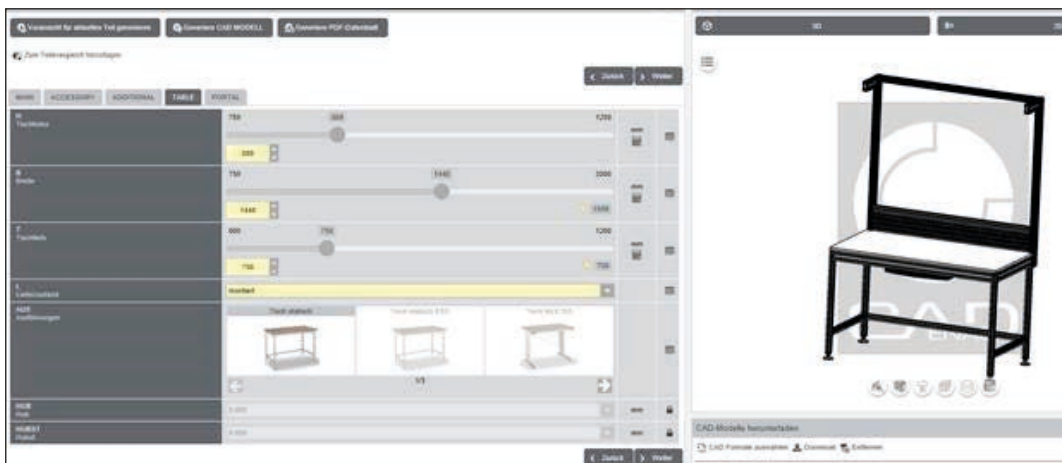


Clamp and release solutions

BLOCAN® construction profiles made from aluminium and the electrically driven lifting columns offer a perfect combination for the creation of high-quality table concepts. Customers can choose between the simplest static tables or electrically height-adjustable work tables and configure their own combinations. Are you interested in an assistance system? Contact us for further details.

## Use our online configurator

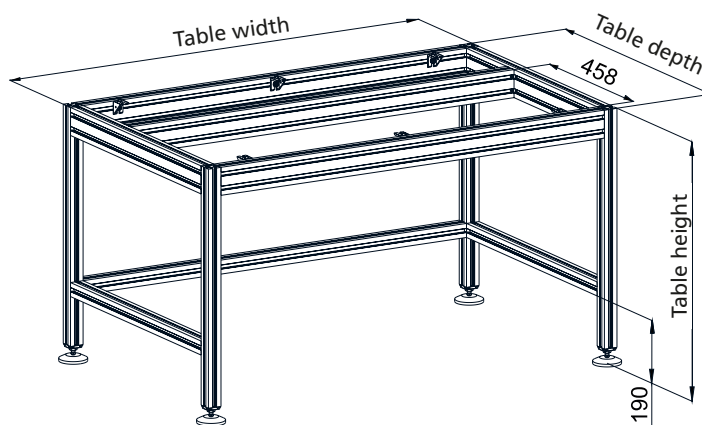
- Quick and simple operation
- Selection of table systems and accessories
- Immediate generation of CAD data in native formats
- Quotations can be requested simply based on the selected components
- You receive a written quotation promptly



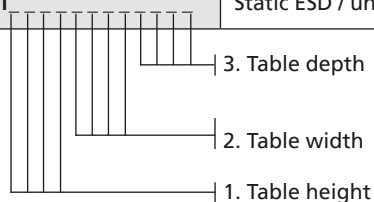


**Work table: static**

- Base frame made from profile 40 x 40 and 40 x 80
- Variable height (min. 750 mm max. 1250 mm), width and depth of the table
- ESD accessories available
- Different table top material options
- Optional portal which can be configured with accessories
- Various drawer cabinet versions



Code No.	Type RK Easywork table	Height max.	Width min.	Width max.	Depth min.	Depth max.
W10M1_-----	Static / assembled	1250	750	2000	650	1200
W10U1_-----	Static / unassembled					
W11M1_-----	Static ESD / assembled					
W11U1_-----	Static ESD / unassembled					



# Assembly workstation system

**Work table:**  
electrically height adjustable  
with Multilift II

- Height adjustment using dual-column system (Multilift lifting columns), various designs

- Wide range of configuration and equipment options, as with the static version

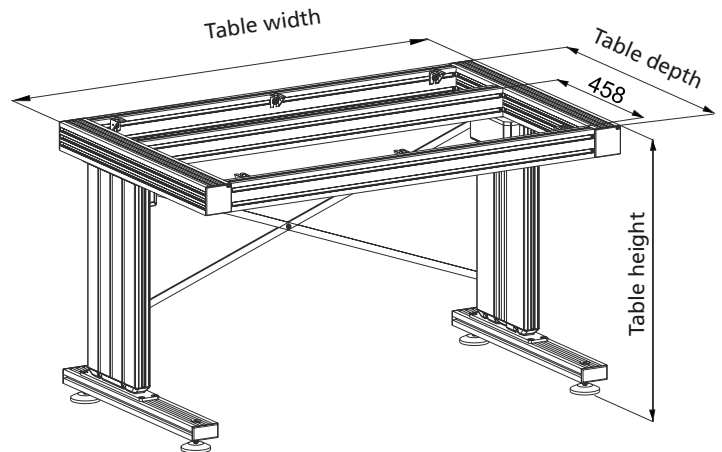
Multilift II ESD  
(electrostatic discharge)



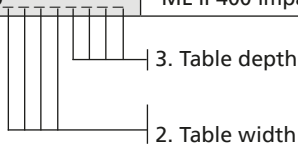
- Adjustment using 6-key hand switch/2-key hand switch and an electronic MultiControl synchronous controller

- Min. table height = 726 mm  
Max. table height = 1171 mm

Multilift II impact  
(integrated damping)



Code No.	Type RK Easywork table	Height min.	Height max.	Width min.	Width max.	Depth min.	Depth max.
W12M11081	ML II 355 assembled	726	1081	750	2000	650	1200
W12U11081	ML II 355 unassembled	726	1081				
W12M11171	ML II 400 assembled	771	1171				
W12U11171	ML II 400 unassembled	771	1171				
W13M11081	ML II 355 ESD assembled	726	1081				
W13U11081	ML II 355 ESD unassembled	726	1081				
W13M11171	ML II 400 ESD assembled	771	1171				
W13U11171	ML II 400 ESD unassembled	771	1171				
W14M11090	ML II 355 impact assembled	735	1090				
W14U11090	ML II 355 impact unassembled	735	1090				
W14M11180	ML II 400 impact assembled	780	1180				
W14U11180	ML II 400 impact unassembled	780	1180				







**Work table:  
electrically height adjustable  
with Multilift II telescope**

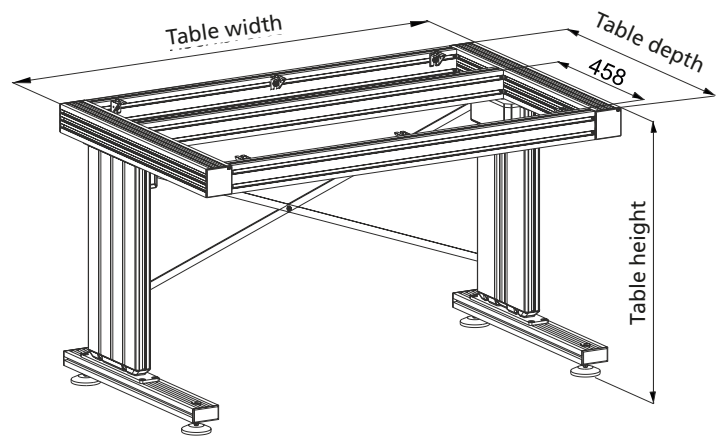
Multilift II telescope



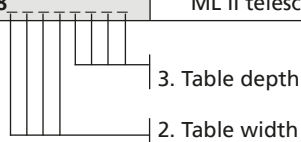
Multilift II ESD  
(electrostatic discharge)



- Height adjustment using dual-column system (Multilift lifting columns), various designs
- Wide range of configuration and equipment options, as with the static version
- Adjustment using 6-key hand switch/2-key hand switch and an electronic MultiControl synchronous controller
- Min. table height = 728 mm  
Max. table height = 1378 mm



Code No.	Type RK Easywork table	Height min.	Height max.	Width min.	Width max.	Depth min.	Depth max.
W15M11378_	ML II telescope assembled	728	1378	750	2000	650	1000
W15U11378_	ML II telescope unassembled	728	1378				
W16M11378_	ML II telescope assembled	728	1378				
W16U11378_	ML II telescope unassembled	728	1378				



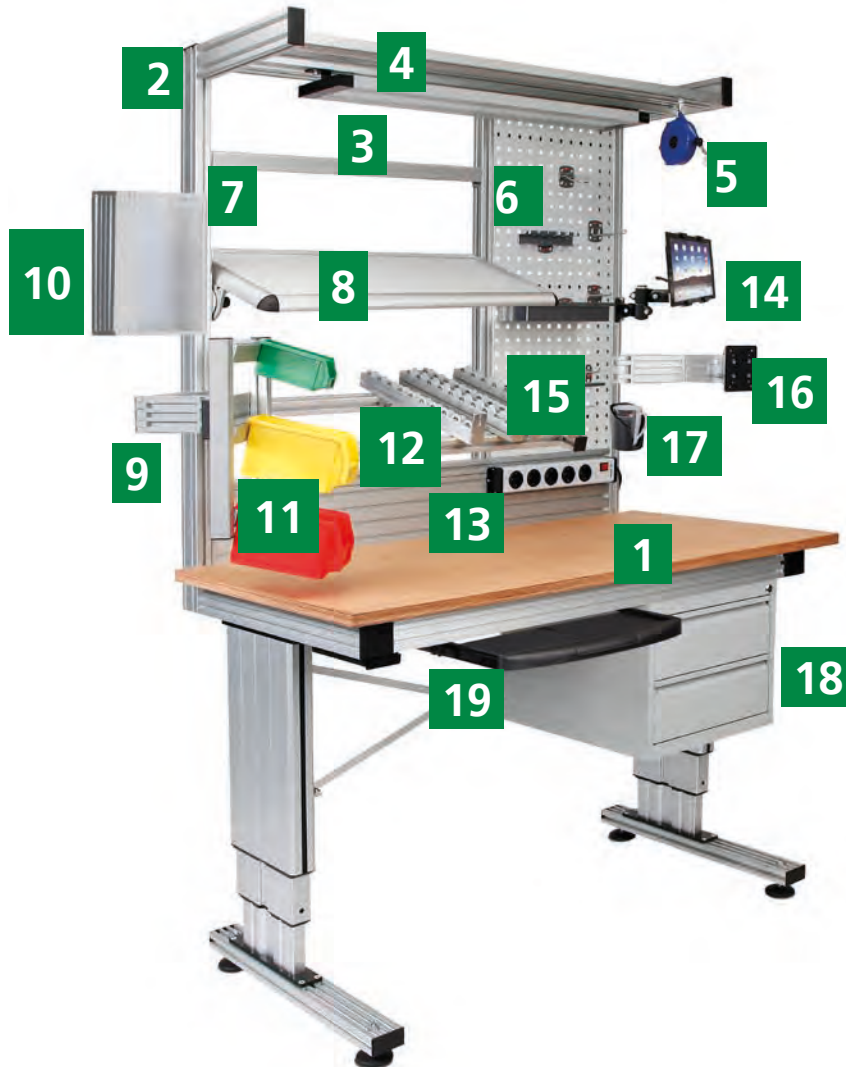
# Attachments

**Standard version:**

The attachments are supplied loose with the base table (includes assembly instructions).

**Special version:**





You receive your work table fully assembled with all the desired attachments.



- |   |                                 |
|---|---------------------------------|
| <b>1</b> Table top                      | <b>14</b> RK monitor mounting   |
| <b>2</b> Frame/gantry                   | <b>15</b> Tool holder           |
| <b>3</b> LED lamp                       | <b>16</b> Monitor holder        |
| <b>4</b> Runner profile                 | <b>17</b> Cup and device holder |
| <b>5</b> Balancer                       | <b>18</b> Drawer cabinet        |
| <b>6</b> Perforated boards/tool holders | <b>19</b> Keyboard shelf        |
| <b>7</b> Tray level mounting rail       | <b>20</b> PC holder             |
| <b>8</b> Material tray level            |                                 |
| <b>9</b> Pivoting material rail         |                                 |
| <b>10</b> Document holder               |                                 |
| <b>11</b> Grab containers               |                                 |
| <b>12</b> Rollenbahnen                  |                                 |
| <b>13</b> Power supply                  |                                 |

Table top	Frame/Gantry	LED lamp	Runner profile
 <p>Laminated particleboard (HPL, MFB)</p> <p>Beech multiplex panel</p>			 <p>Carriage</p>
Balancer	Perforated boards	Mounting rail	Material tray level
			
Pivoting material rail	Document holder	Grab containers	Roller conveyors
			
Socket strips	RK monitor mounting	Tool holder	Monitor holder
			

# Attachments / Accessories

BaCup and device holder	Drawer cabinet	Keyboard shelf	PC holder
			

## ESD Accessories

ESD table mat	ESD wristband ...with spiral cable	ESD earthing box	ESD central earthing strip
			
ESD earth bonding plug	ESD ESD earth conductor		
			



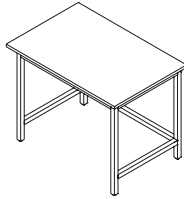
# workstation configuration

Enquiry       Order

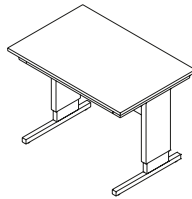
## Table version static

- assembled       unassembled  
 ESD assembled       ESD unassembled

Height: \_\_\_\_\_ mm (min. 750-1250 mm max.)  
 Width: \_\_\_\_\_ mm (min. 750-2000 mm max.)  
 Depth: \_\_\_\_\_ mm (min. 650-1200 mm max.)



## Table version electric height-adjustable



- |  |                                    |                                      |
|--|------------------------------------|--------------------------------------|
| <input type="checkbox"/> Multilift II 350        | <input type="checkbox"/> assembled | <input type="checkbox"/> unassembled |
| <input type="checkbox"/> Multilift II 400        | <input type="checkbox"/> assembled | <input type="checkbox"/> unassembled |
| <input type="checkbox"/> Multilift II ESD 355    | <input type="checkbox"/> assembled | <input type="checkbox"/> unassembled |
| <input type="checkbox"/> Multilift II ESD 400    | <input type="checkbox"/> assembled | <input type="checkbox"/> unassembled |
| <input type="checkbox"/> Multilift II impact 355 | <input type="checkbox"/> assembled | <input type="checkbox"/> unassembled |
| <input type="checkbox"/> Multilift II impact 400 | <input type="checkbox"/> assembled | <input type="checkbox"/> unassembled |
| <input type="checkbox"/> Multilift II telescope  | <input type="checkbox"/> assembled | <input type="checkbox"/> unassembled |

## Attachments

- Standard version:** The attachments are supplied loose with the base table (includes assembly instructions).  
 **Special version:** You receive your workbench fully assembled with all the desired attachments.  
 Hand switch with display screen (6 function keys)  
 Hand switch without display screen (2 function keys)  
 Hand switch drawer

- IEC cable (Europe)  
 IEC cable (Switzerland)  
 IEC cable (United Kingdom)  
 IEC cable (Japan, USA)

## Worktop

- MFB particleboard (melamine) 22 mm  
 HPL particleboard (laminated) 23 mm  
 Beech Multiplex board 30 mm  
 Beech Multiplex board 40 mm  
 ESD table top 20 mm  
 ESD table top 30 mm

Worktop: width \_\_\_\_\_, depth \_\_\_\_\_

## Frame/Gantry

- completely mounted frame/gantry  
 unmounted components

Height (min. 328-2000 mm max.): \_\_\_\_\_  
 Width (max. table width): \_\_\_\_\_  
 Depth (min. 300-1200 mm max.): \_\_\_\_\_

- LED lamp  
 Runner profile (table width -80 mm): \_\_\_\_\_  
 Balancer, load capacity (min. 0.5-1.5 kg max.) \_\_\_\_\_  
 Balancer, load capacity (min. 1.5-3.0 kg max.) \_\_\_\_\_  
 Balancer, load capacity (min. 3.0-4.0 kg max.) \_\_\_\_\_  
 perforated board(s) (1-2 units, 450 x 1000 mm each)  
 mounting rail(s) for grab containers (1-3 units)  
 Material tray level angle adjustment  
 Material tray level steel swivel  
 1 pivoting material rail (load capacity max. 10 kg)  
 3 pivoting material rails (load capacity max. 20 kg)  
 Document holder

- \_\_\_\_\_grab container(s) (170 x 100 x 50)     red    blue    green    yellow  
 \_\_\_\_\_grab container(s) (160 x 100 x 75)     red    blue    green    yellow  
 \_\_\_\_\_grab container(s) (230 x 150 x 122)     red    blue    green    yellow  
 \_\_\_\_\_Roller conveyor(s) length: \_\_\_\_\_  
 \_\_\_\_\_Roller(s) with flange, purchase only in lot sizes 10, 20, 30... pcs  
 \_\_\_\_\_Roller(s) without flange, purchase only in lot sizes 10, 20, 30... pcs  
 \_\_\_\_\_End plate(s) 40 x 40 x 5    \_\_\_\_\_End plate(s) 40 x 80 x 5  
 \_\_\_\_\_Slot stone -N-, purchase only in lot sizes 10, 20, 30... pcs  
 Socket strip, centrally switched  
 Socket strip, individually switched  
 Socket strip, non-switchable

## RK monitor mounting

- With rotary flange       With ball joint     Compact  
 Connecting plate Vesa 50/75     Connecting plate Vesa 75/100  
 Profile console       Wall console  
 Reducing bush "R"       Reducing bush "V"  
 Vario-Quick holding block type K  
 Vario-Quick holding block type KK  
 Monitor holder aluminium (page 26)

## Tool holder

- With inclined hook end       Double, with inclined hook end  
 Magnetic holder, D=40       Pliers holder, W=55/D=20  
 Machine holder, D=60       Grab container holder  
 Tool holder for self-service packaging  
 Screwdriver holder, 8x  
 Screwdriver holder       Round tin holder  
 Hexagon socket key holder, D=1-11     Storage box  
 Shelf plate, W=350/D=125  
 Cup and device holder, open  
 Cup and device holder, closed

## Drawer cabinet

- with 1 drawer 230 x 460 x 550 mm  
 With 2 drawers 380 x 460 x 550 mm  
 with 3 drawers 380 x 460 x 550 mm  
 Keyboard shelf       PC holder



# Appendix





**Contents**

---

**Tools ..... p. 482**

**PART Community ..... p. 490**

**Fax enquiry ..... p. 491**

**Application examples ..... p. 492**

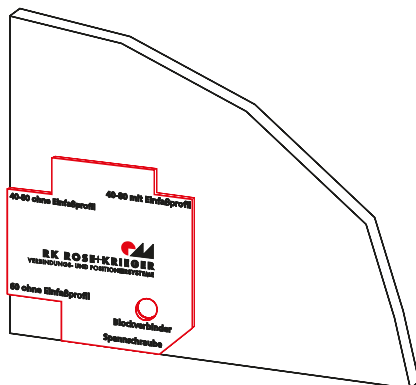
**Index ..... p. 496**

# Tools

## Marker template for panels

Marker template for machining panels in hidden bracket and flange bracket connections

**Material:** White plastic.

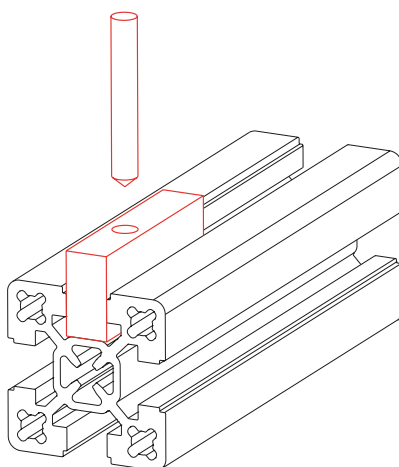


Code No.	Type
4010590	Marker template, profiles/accessories: construction and functional profiles sections

## Marking punch for hidden screw and clamping profiles

Marker aid for drilling holes in the centre of the profile slot. For example, for corner joints for clamping profiles, hidden screw sets, etc.

**Material:** Galvanised steel, hardened punch point.



Code No.	Type
4016511	For profiles/accessories in the sections Structural Profiles and Functional Profiles
E01026CEE	For profiles of 20 series in the section Functional Profiles
E03026CEE	For profiles 20x40 in the section Functional Profiles



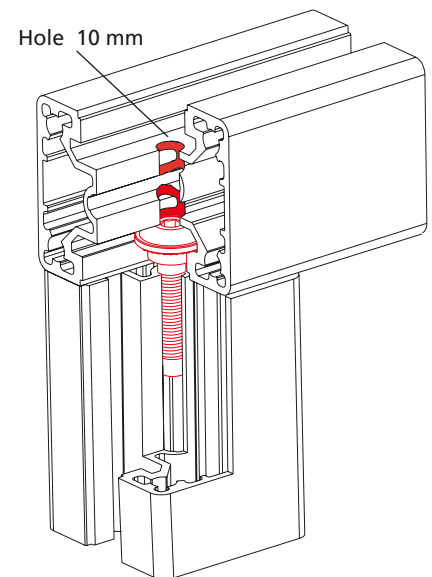
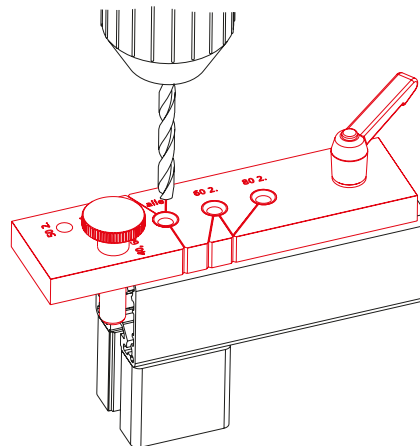
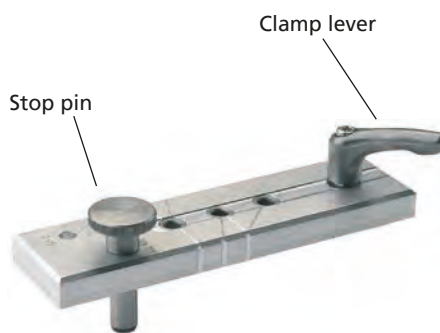
## Drilling fixture for hidden screw -B-

Fixture for drilling central holes; for example, when using the hidden screw set.

The individual profile size can be set using the variably adjustable stop pin.

For profile:  
40x40, 40x80,  
50x50, 60x60,  
80x80

**Material:** Aluminium



Code No.	Type
4016516	Drilling fixture

# Tools

## Drilling fixture for slot stone -N-

Often, after the profile construction has been assembled, various accessories have to be mounted. To avoid having to dismantle the profiles (in order to insert the slot stones -N- from the side), a hole is drilled in the centre of the slot. This drilling fixture makes it easier to work on the profiles and to drill accurately.

**Includes:** Drilling fixture with clamping device and 3-blade countersink  $\varnothing$  20 mm.

**Material:** Aluminium



Code No.	Type
4016514	Complete drilling fixture

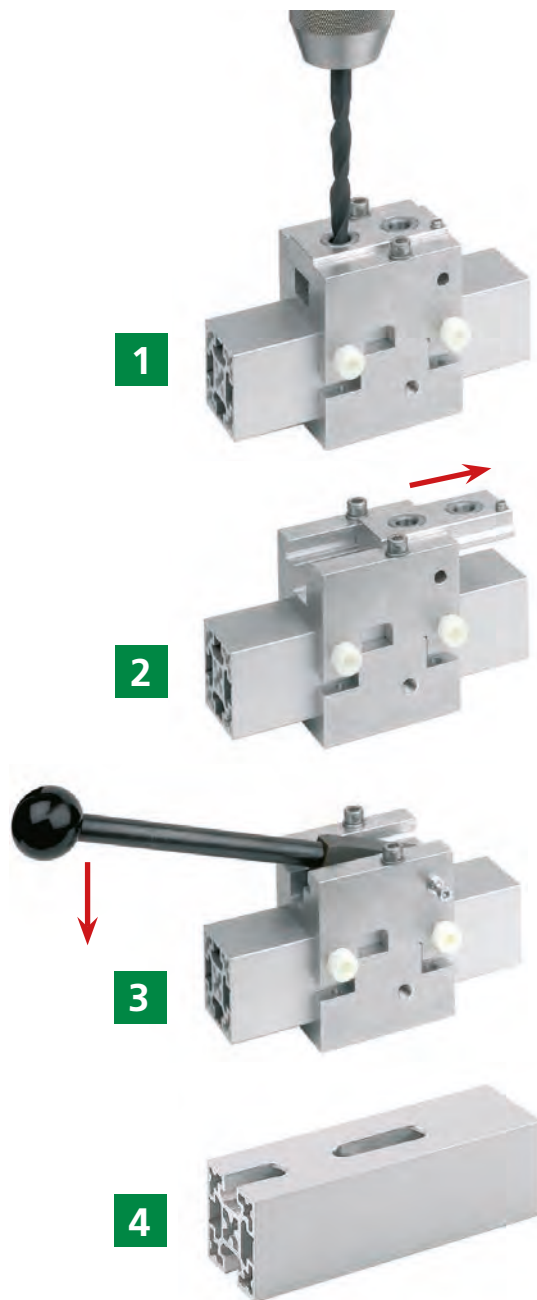
## Opening the profile slot

When designing the G-profiles, great attention was paid to ensuring that the hidden profile slots could be used if necessary.

This is done by simply pressing out the slot cover, allowing accessories to be mounted or profile connections to be made without any difficulty.

## Drill and press for G-profiles

**Material:**  
Vibration finished aluminium



1.) A hole is drilled in the required position at the ends. For mounting accessories, two bushings are provided a set distance apart.

2.) Then the drill guide is removed.

3+4.) The profile slot is pressed out with a punch.

Code No.	Type
4006651	Drill and press 40
4006653	Drill and press 80

# Material data / tolerances

## Material data

Manufacturing method:	Artificially aged extruded profile
Material:	EN AW 6063 T66
Material number:	3.3206.72
Tensile strength:	245 N/mm <sup>2</sup>
0.2% - yield strength:	200 N/mm <sup>2</sup>
Elongation at break A:	8%
Elongation at break A50:	6%
Modulus of elasticity:	70000 N/mm <sup>2</sup>
Shear modulus:	28000 N/mm <sup>2</sup>
Brinell hardness:	Approx. 70 hours
Surface:	Quality P6 C0 (matt pickled and natural anodised)
Anodised layer:	To DIN 17611 Class 10
Anodic hardness	250 HV

## Profile tolerances

(on delivery)

Our RK system profiles are manufactured and tested to DIN EN 12020-1 (Technical Conditions for Inspection and Delivery) and DIN EN 12020-2 (Tolerances on Dimensions and Form) and the D-profiles to DIN EN 755-9.

The straightness tolerance is listed in the following table.

In addition to the straightness tolerance H, the maximum permitted deviation h over a length l of 300 mm is 0.3 mm (for D-profiles: 0.6 mm).

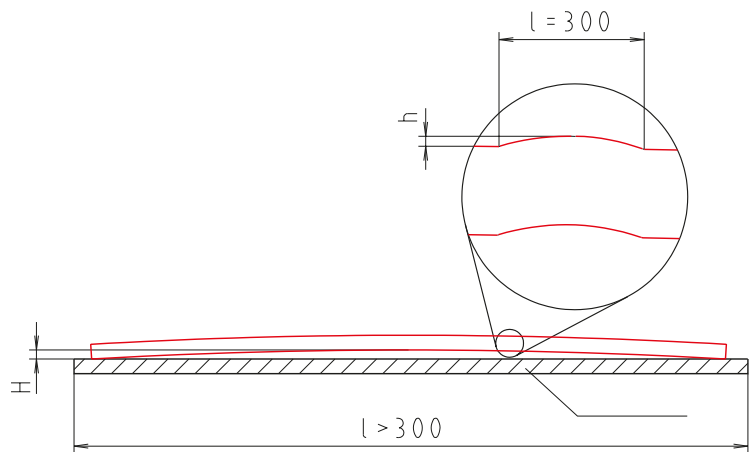
As well as the straightness tolerance, wall thickness, evenness

and tilting tolerances as well as form deviations are possible based on DIN EN 12020 Part 3 (see the following page also).

However, we would point out that our profiles surpass the DIN standard and generally conform to much tighter tolerances. Saw cuts are executed with a deviation of  $\pm 10'$ .

Length tolerance in profile cut lengths: nominal measurement  $\pm 0.1$  mm/m.

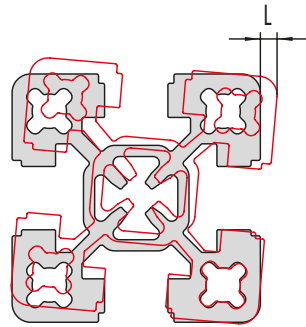
Our 6000/6300 mm long profile bars have an overmeasure of approx. 80 mm. This is required for the anodisation process and can be sawn off by the customer if necessary.



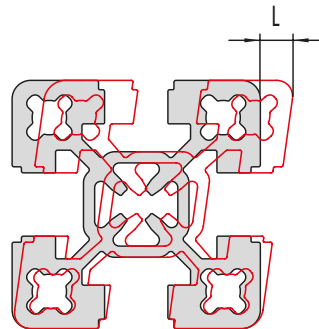
Length [m]	to 1	to 2	to 3	to 4	to 5	to 6
Tolerance H [mm]	0.7	1.3	1.8	2.2	2.6	3.0
D-profile tolerance H [mm]	1.0	2.0	3.0	4.0	5.0	6.0

## Profile tolerances

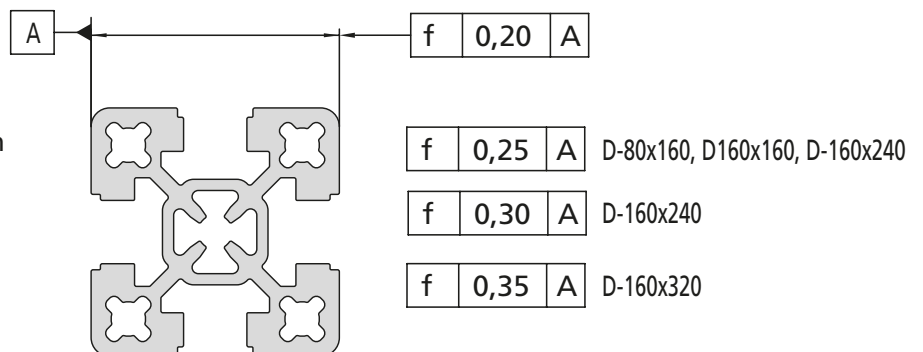
Max. perm. torsion 0.7 mm over 1 m.  
D-profiles as of size 80x240: 1 mm over 1 m.



Max. perm. angle tolerance 0.2 mm over 40 mm corresponds to approx. 0.29°.



Maximum deviation from parallelism 0.2 mm.



## Profile powder-coating

We offer the option of coating the profiles in the listed RAL colours.

	White aluminium RAL 9006
	Light grey RAL 7035
	Rape yellow RAL 1021
	Traffic red RAL 3020
	Signal blue RAL 5005
	Black RAL 9005

Further RAL colours available on request.

# Deflection / twisting angle

## Load data

To calculate the deflection of BLOCAN® aluminium profiles in different load scenarios, we must distinguish between 3 different load scenarios:

1. Profile clamped firmly in place at one end
2. Profile placed on bearings at both ends
3. Profile clamped firmly in place at both ends

Before the deflection can be calculated, first the user must determine which of the 3 load scenarios applies.

Then the user can begin calculating the deflection.

However, it is possible to work out a missing value by solving the mathematical formulas for the missing variables (e.g. finding out the suitable profile if you know e.g. the max. deflection and forces in play).

As well as bending stiffness, a profile's resistance to torsion within a structure is often highly important.

In the case of high torsion stress, the function of the components

can be greatly compromised by elastic deformation. For this reason, a torsionally stiffer profile should be used well before the permitted shear stress is reached.

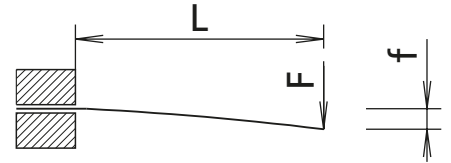


## Deflection calculation (purely in mathematical terms)

Given: $f = ?$	Deflection
$F = 8000 \text{ N}$	Load
$L = 700 \text{ mm}$	Free length
$I = 11.2 \text{ cm}^4$	Geometric moment of inertia of profile F-40x40
$E = 70000 \text{ N/mm}^2$	Modulus of elasticity for all profiles

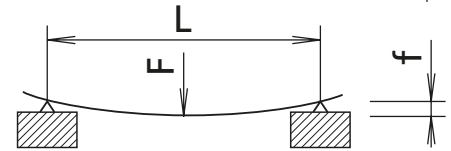
Load scenario 1

$$f = \frac{F \times L^3}{E \times I \times 3 \times 10^4} = \frac{8000 \text{ N} \times 700^3 \text{ mm}^3}{70000 \text{ N/mm}^2 \times 11.2 \text{ cm}^4 \times 3 \times 10^4} = 116.67 \text{ mm}$$



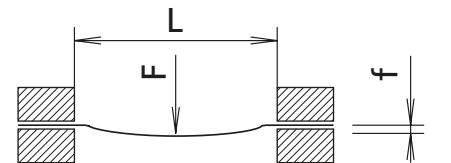
Load scenario 2

$$f = \frac{F \times L^3}{E \times I \times 48 \times 10^4} = \frac{8000 \text{ N} \times 700^3 \text{ mm}^3}{70000 \text{ N/mm}^2 \times 11.2 \text{ cm}^4 \times 48 \times 10^4} = 7.29 \text{ mm}$$



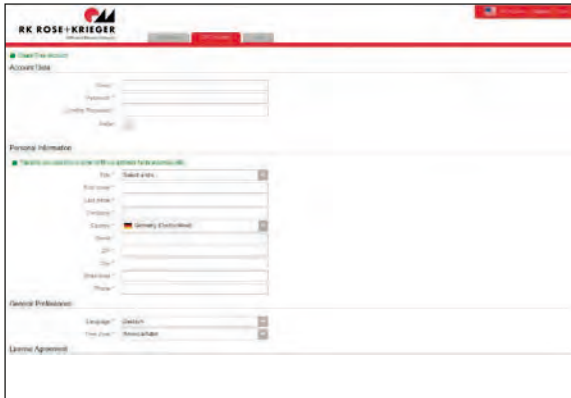
Load scenario 3

$$f = \frac{F \times L^3}{E \times I \times 192 \times 10^4} = \frac{8000 \text{ N} \times 700^3 \text{ mm}^3}{70000 \text{ N/mm}^2 \times 11.2 \text{ cm}^4 \times 192 \times 10^4} = 1.82 \text{ mm}$$



# PART Community

## Component library



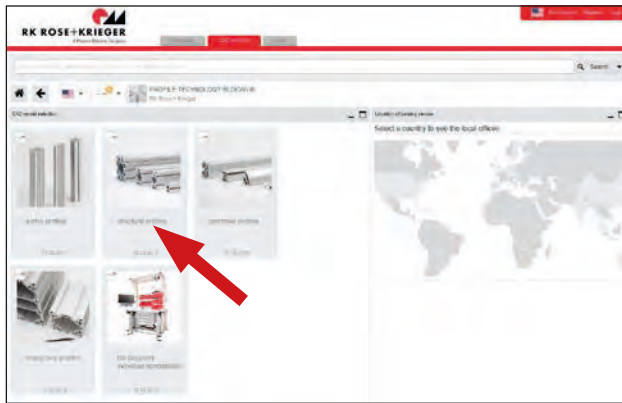
For online access  
Enter the required details in the fields marked \* to set up your account.

RK Rose+Krieger provides CAD data online ([www.rk-rose-krieger.com](http://www.rk-rose-krieger.com), menu service) for you to download free of charge.

Once you set up your account, you can generate the component of your choice in the CAD format required with the click of a mouse.

You can choose to receive your selected CAD models by e-mail or download.

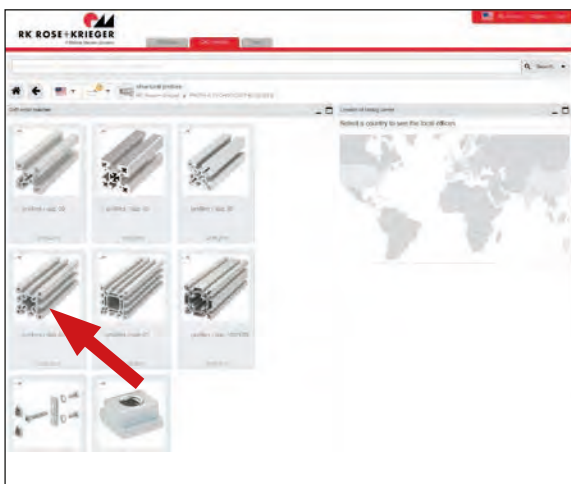
As well as BLOCAN<sup>®</sup> Profile Technology, Linear Technology, Drive Technology and Connecting Technology are available in neutral and native CAD formats.



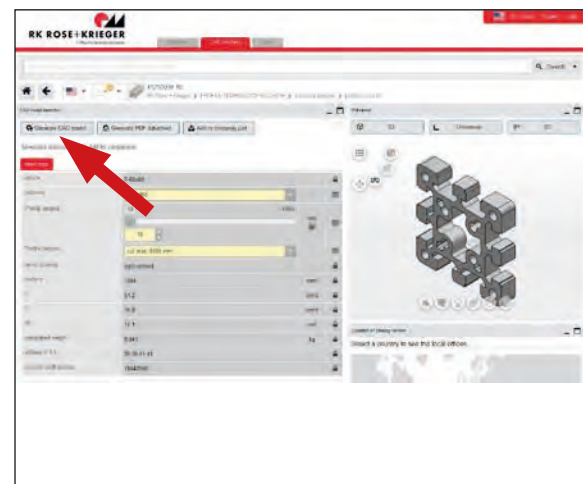
Select product segment

Link to our CAD component library:

[www.rk-rose-krieger.com/english/service/cad-data](http://www.rk-rose-krieger.com/english/service/cad-data)



Select and, if required, configure components (e.g. length, version)

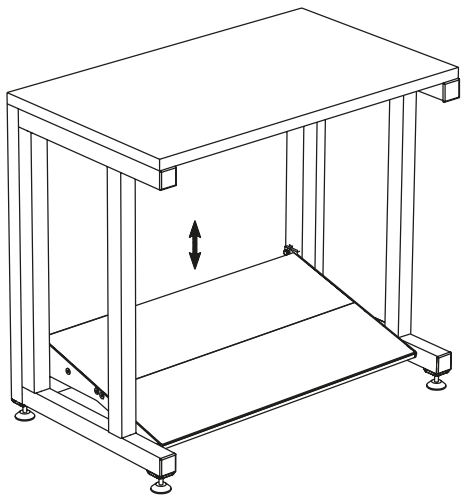
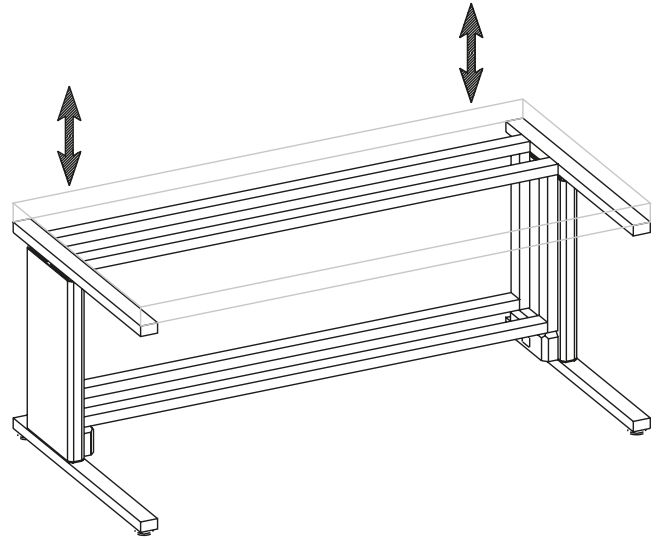
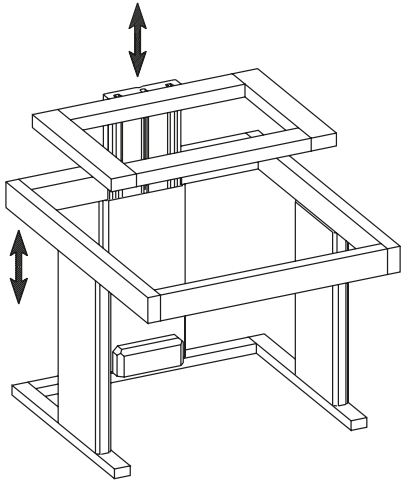


Generate the CAD data

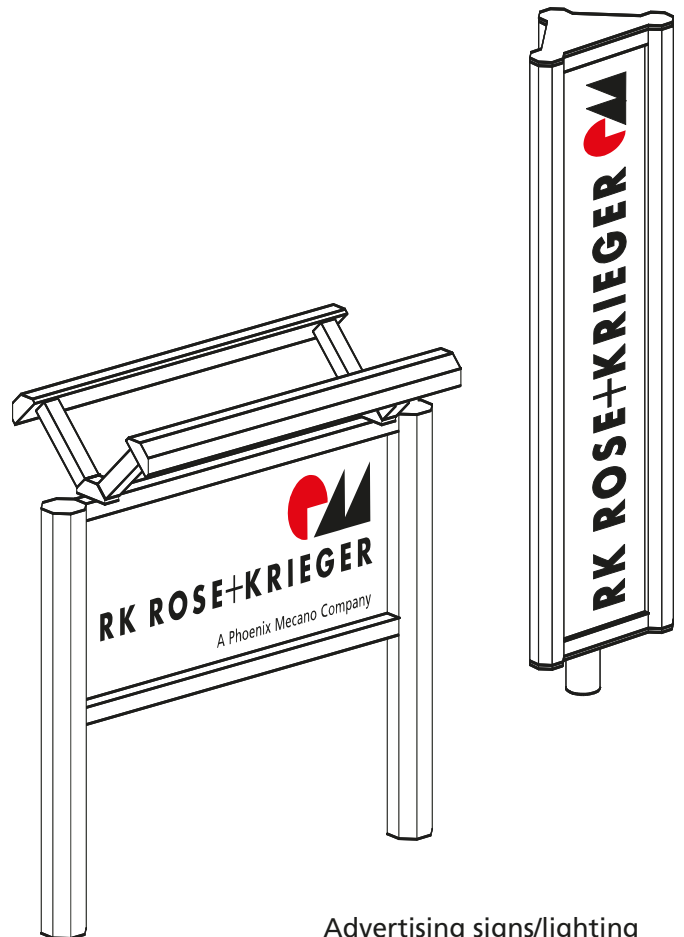


# Application examples

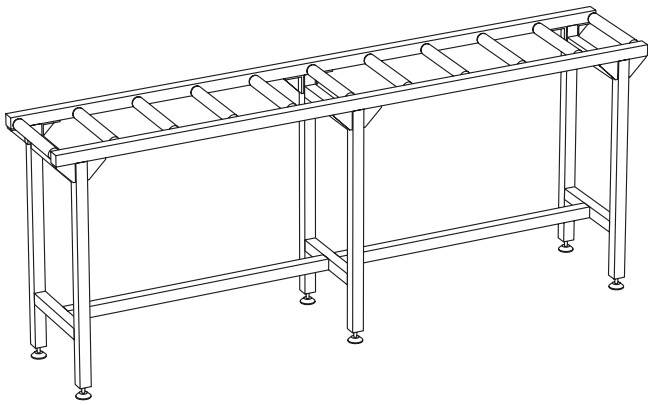
Assembly tables with height-adjustable worktop.  
Profile Assembly System frame, Multilift height adjustment (see Linear Technology catalogue).  
The Multilift guide profiles are the special profiles 230x37 and 260x48.



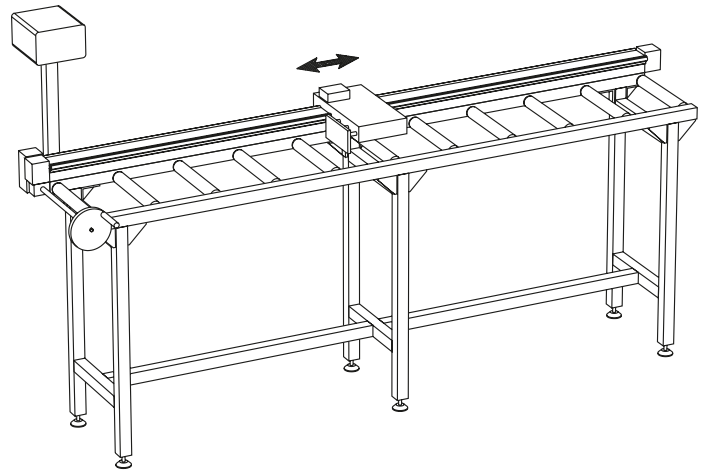
Work table with height adjustable foot rest FSH (see page 138)



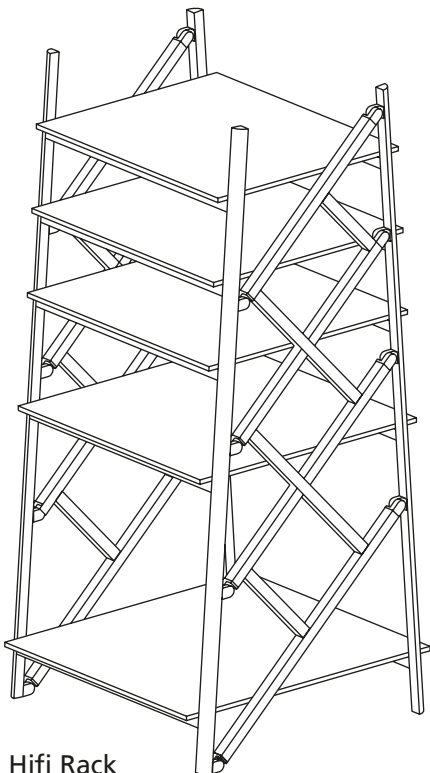
Advertising signs/lighting



Roller conveyor made from Profile Assembly System components



Saw fence combined with roller conveyor.  
Option: Handwheel fence adjustment, pneumatic cylinder fence locking, digital length display



Hifi Rack

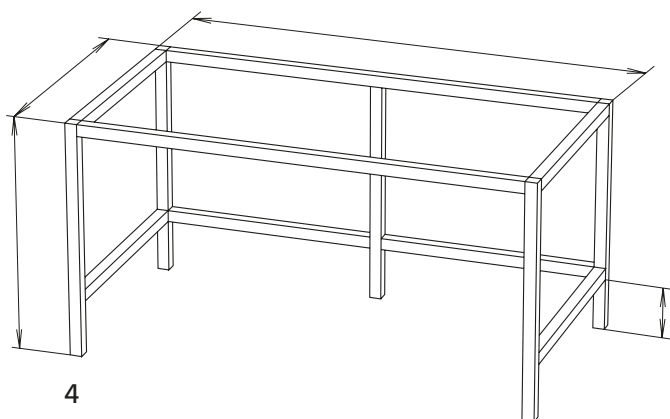
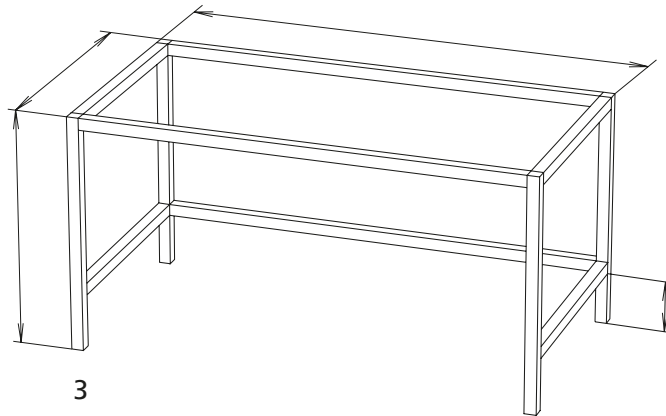
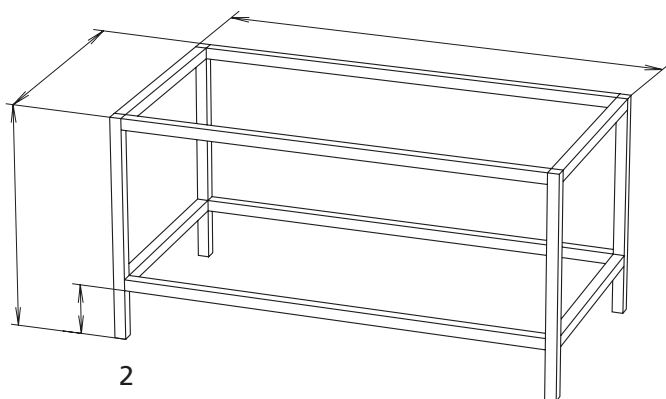
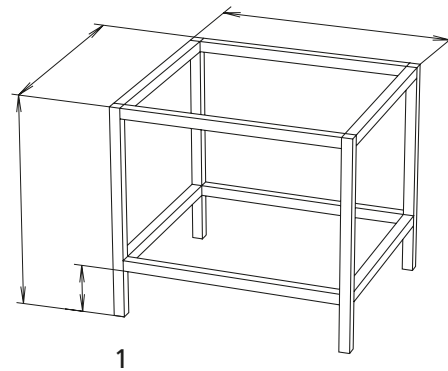
# Application examples

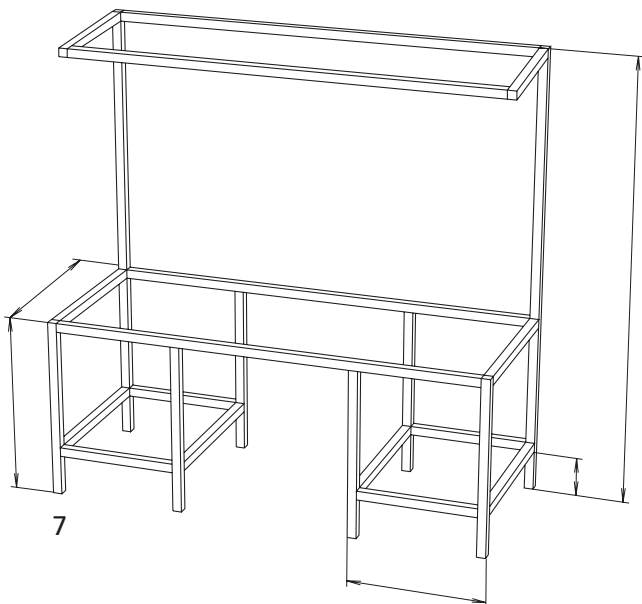
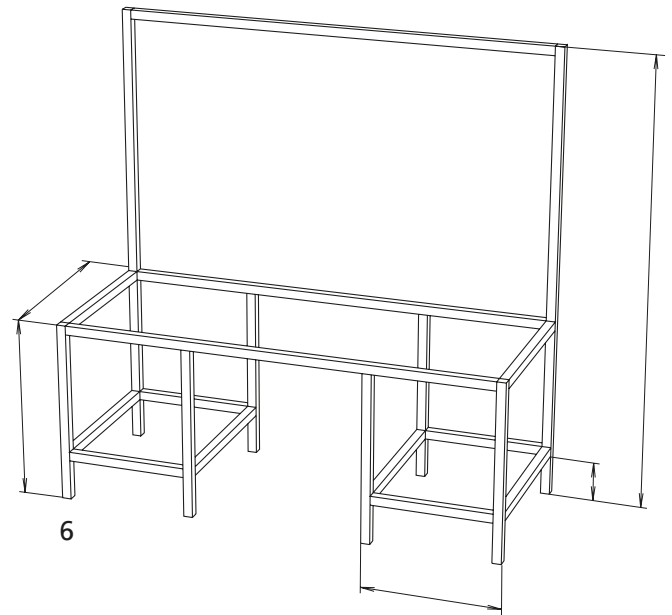
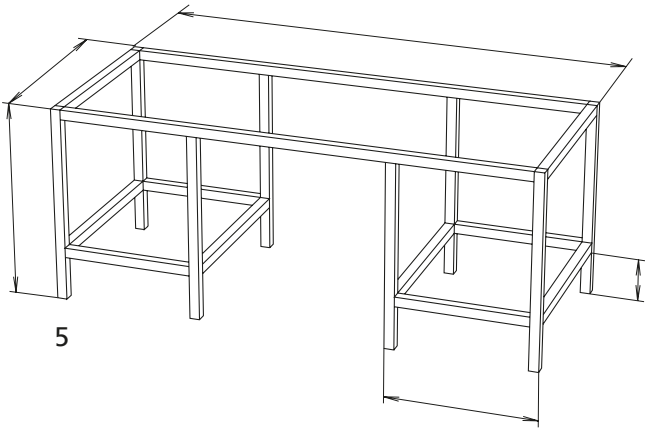
## Work tables

The different work table variants can be used as a template for your fax enquiry.

Please give the desired dimensions, profile cross-sections and panels.

For fax enquiry, please see page 491





# Index

- A**  
Accessories ..... 85, 253, 379, 440  
Adapter slot stone ..... 398  
Angle bracket ..... 60, 64, 231, 234,  
..... 351, 367, 390  
Assembly strip ..... 168, 171, 338, 341
- B**  
Ball catch ..... 148, 318, 321, 373, 450, 453  
Bar material ..... 92, 260  
Base bracket ..... 133, 301  
Base clamp FVV ..... 134, 302, 440  
Base plate ..... 132, 300, 407  
Block joint ..... 116, 284  
Bracing plate ..... 54, 226, 391, 446  
Butt hinge ..... 142, 312, 355, 369, 448
- C**  
Cable channel system ..... 166-171  
CAD component library ..... 6  
Caps ..... 98, 266, 359, 375  
Choosing a system ..... 412  
Clamp FKV / FV ..... 133, 301  
Compatibility connector ..... 53, 225  
Component library ..... 490  
Connecting plate ..... 56, 81, 228  
Connecting plate for feet ..... 394, 406  
Connecting plate for levelling feet ..... 128, 296  
Connection element ..... 82  
Connection element -S- ..... 83  
Connection techniques ..... 47, 219, 387  
Conveying elements ..... 162, 332  
Conveyor drums ..... 162, 332  
Conveyor rollers ..... 162, 332  
Corner clamp WV ..... 65, 235  
Corner joint ..... 236, 237, 238, 346, 348, 442, 443  
Corner piece ..... 108, 110, 276, 278  
Cover caps ..... 375  
Cover plate ..... 170, 340, 402  
Cover profile ..... 101, 269, 356, 403, 446  
Cross clamp KV ..... 69, 243  
Cross connections ..... 68, 242, 392
- D**  
Door gap seal ..... 102, 270, 447  
Door lock -KL- ..... 310, 456  
Door stopper ..... 154, 323, 455  
Double profile joint ..... 73, 74, 247, 248  
Double-winged hinged door ..... 424  
Drilling fixture ..... 483, 484
- E**  
Edge protection ..... 171, 341  
Embedding U-profile ..... 111, 279
- End plate ..... 100, 268  
Equipotential bonding ..... 171, 341  
Equipotential bonding cable ..... 92, 260  
Eye bolt ..... 127, 295
- F**  
Fax enquiry ..... 464, 491  
Feet ..... 124-138, 292-306, 404  
Fittings ..... 140-158, 308-328  
Fixed castor ..... 137, 305  
Fixing bolt ..... 441  
Flange bracket adaptor ..... 345  
Flange bracket connection ..... 48, 220, 344  
Flange bracket M-BLOCAN ..... 345  
Flange brackets ..... 50, 222  
Foot rest FSH ..... 138, 306  
Foundation bracket ..... 298  
Frame corner joint ..... 113, 281  
Frame joint 2x40 ..... 72, 246  
Frame joint 3x40 ..... 72, 246  
Frame profile ..... 112, 200-211, 280  
Framing profile ..... 108, 110, 276, 278  
Functional profiles ..... 174-375
- G**  
G-connector ..... 364  
Grommet ..... 170, 340
- H**  
Handle ..... 154, 155, 323, 324, 354, 374, 455  
Handle profile ..... 155, 324, 374  
Handrail ..... 155, 324  
Heavy duty profiles ..... 376-407  
Hidden screw set -B- ..... 224  
Hinged door ..... 423  
Hinges 2-part ..... 369  
Hinges 3-part ..... 369
- I**  
Infovan ..... 6
- K**  
Keyed clamp connector -P- ..... 80, 395  
Keyed clamp connector -Q- ..... 68, 242, 392
- L**  
Levelling foot ..... 127, 295, 368, 404  
Lever cylinder lock ..... 148, 318  
Lifting door ..... 426  
Lift off hinge -aluminium- ..... 144, 314, 448  
Lift off hinge -plastic- ..... 145 315





M

M-BLOCAN® ..... 214-216  
M-BLOCAN® accessories ..... 342-359  
Magnetic lock ..... 149, 150, 319, 320,  
..... 355, 372, 374, 451, 452  
Marker template ..... 482  
Material data ..... 486  
Membrane grommet ..... 170, 340  
Mitre joint -L- ..... 80  
Mitre joint -transversal- ..... 68, 242, 342  
Mitre joint -transverse- ..... 352  
Mitre joint -W1- ..... 75, 249  
Mitre joint -W2- ..... 75, 249  
Modular system ..... 416-426

O

Online configurator ..... 470  
Opening the profile slot ..... 485  
Our product ranges ..... 5

P

Panels ..... 106, 274, 463  
Parallel connections ..... 80-82, 395  
PART Community ..... 490  
Phoenix Mecano ..... 4  
Pillar ..... 418  
Pneumatic connecting plate ..... 165, 335  
Pneumatic connection ..... 164, 335  
Press mount connector ..... 384, 388  
Profile angle bracket ..... 58, 229, 350, 354  
Profile covers ..... 96-102, 264-270, 402  
Profile joint ..... 74, 248, 354  
Profile joint -E- ..... 73, 247  
Profile seal ..... 114, 115, 282, 283, 447  
Profiles / size 30 ..... 28-30  
Profiles / size 40 ..... 32-34  
Profiles / size 50 ..... 36  
Profiles / size 60 ..... 38  
Profiles / size 80 ..... 40-43  
Profiles / size 100/120 ..... 44-45

Q

Quick cable bracket ..... 121, 289

R

Right-angle connections ..... 46-64,  
..... 218-238, 388-391  
Rim ..... 102, 270, 447  
RK Easywork ..... 466-479  
RK expansion screws ..... 95, 263  
RK profile circle ..... 12  
RK website ..... 6  
Roller carriage ..... 334, 459  
Roller module ..... 458

S

Safety distances ..... 414  
Safety guards ..... 408-464  
Safety switch AZ 15zvr ..... 156, 326, 460  
Safety switch AZM 161 ..... 158, 325, 462  
Screws ..... 95, 263, 353  
Self tapping screw ..... 171, 341  
Separating strip ..... 171, 341  
„Slam Latch Compact“ 454 ..... 153, 322, 454  
„Slam Latch PRO“ 454 ..... 152, 322, 454  
Sliding door ..... 425  
Sliding door profile ..... 122, 206, 211,  
..... 290, 437  
Sliding piece ..... 163, 333  
Slot geometry ..... 26, 178  
Slot stone -B- / PLM ..... 353  
Slot stone -L/E- II ..... 52, 224  
Slot stones and screws ..... 84-95, 254-263  
Special profiles ..... 212-217  
Spring strips ..... 170, 340  
Steel swivel ..... 76, 250  
Steering roller ..... 136, 304  
Support ..... 441  
Supporting/Levelling shims ..... 134, 302, 419  
Surface elements ..... 342  
Suspended sliding block ..... 94, 262

T

T-head bolt ..... 86, 254  
Tools ..... 482-485  
Tube clamp ..... 120, 288

V

Vario-Quick holding block K/KK ..... 120, 288, 357  
Vario-Quick holding block L ..... 119, 287  
Vario-Quick holding block R ..... 118, 286,  
Vario-Quick holding block S ..... 118, 286, 357, 367  
Visible profiles ..... 182-199

Whilst every effort has been made to ensure that the information in this catalogue was correct at the time of publication, no responsibility can be accepted for any errors or omissions. This catalogue supersedes all previous catalogues. In the interest of further technical development, we reserve the right to make modifications without prior notice. You can download all the latest catalogue data at our web site.