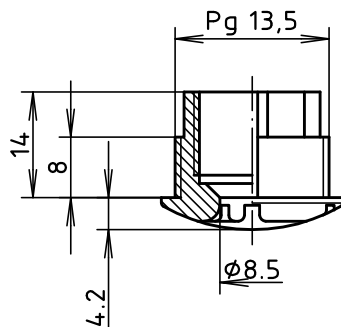
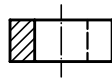
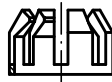
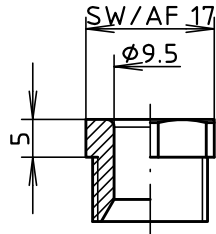
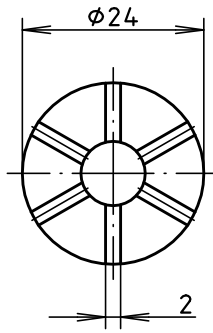
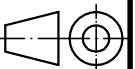


"Schutzvermerk nach DIN ISO 16016 beachten" "Please pay attention to copyright note DIN ISO 16016"



Maßstab/ (1:1)
Scale:



Zeichnungs-Nr. / Drawing-No.:
4K 0009.016.01

Artikel / Article:
Kabelverschraubung MZI 9
Cable gland MZI 9
Katalogzeichnung / Catalogue drawing

---	---
---	---
---	---
---	---
---	---
---	---
---	---
---	---
---	---
---	---



BOPLA
A Phoenix Mecano Company

Ä.Nr / Alt-No.: Datum / Date:

DISK: 2 502 607
Datum / Date: 08.04.05 KH