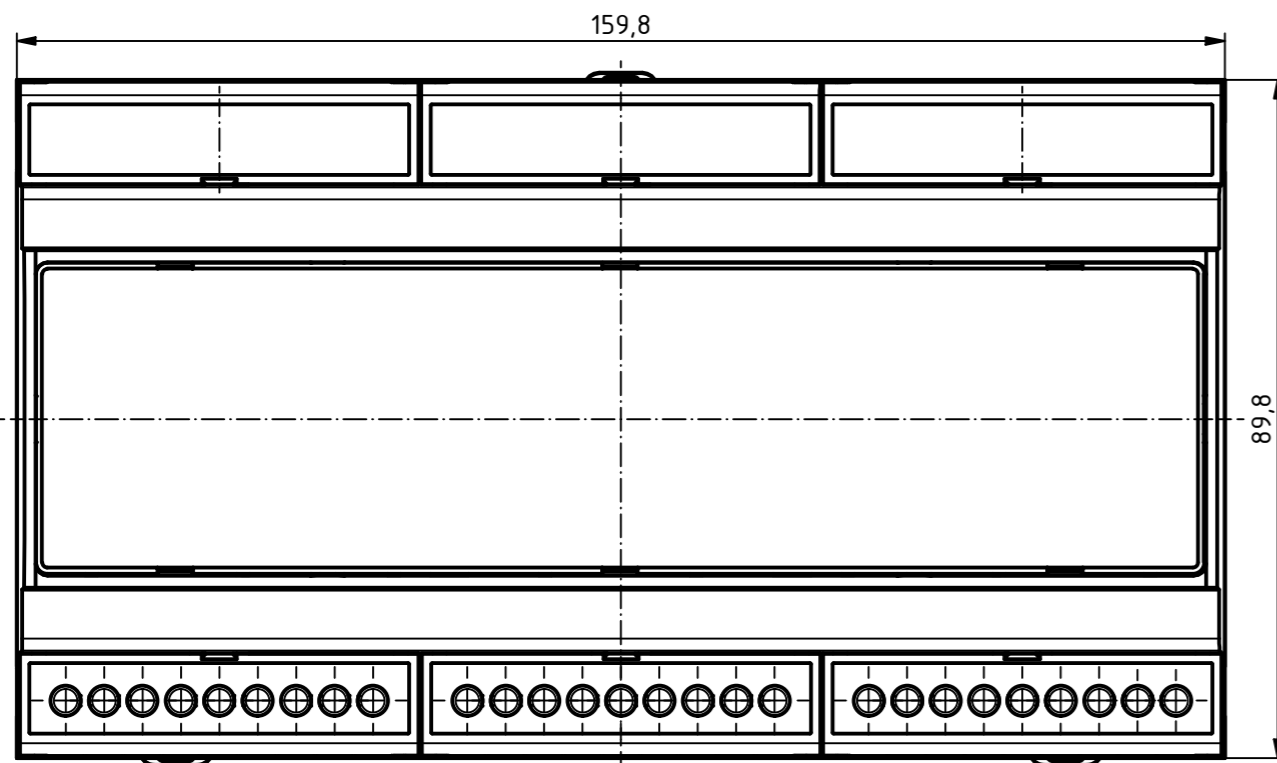
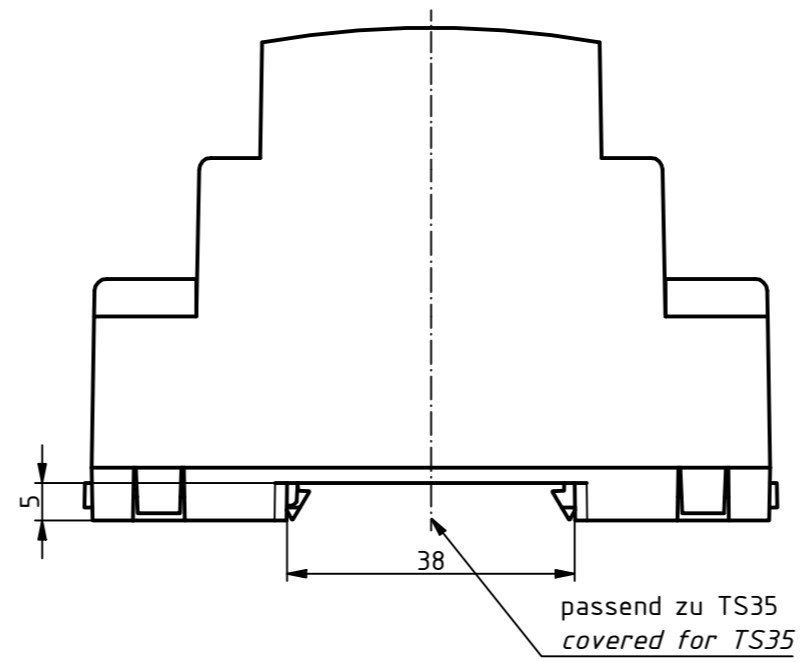
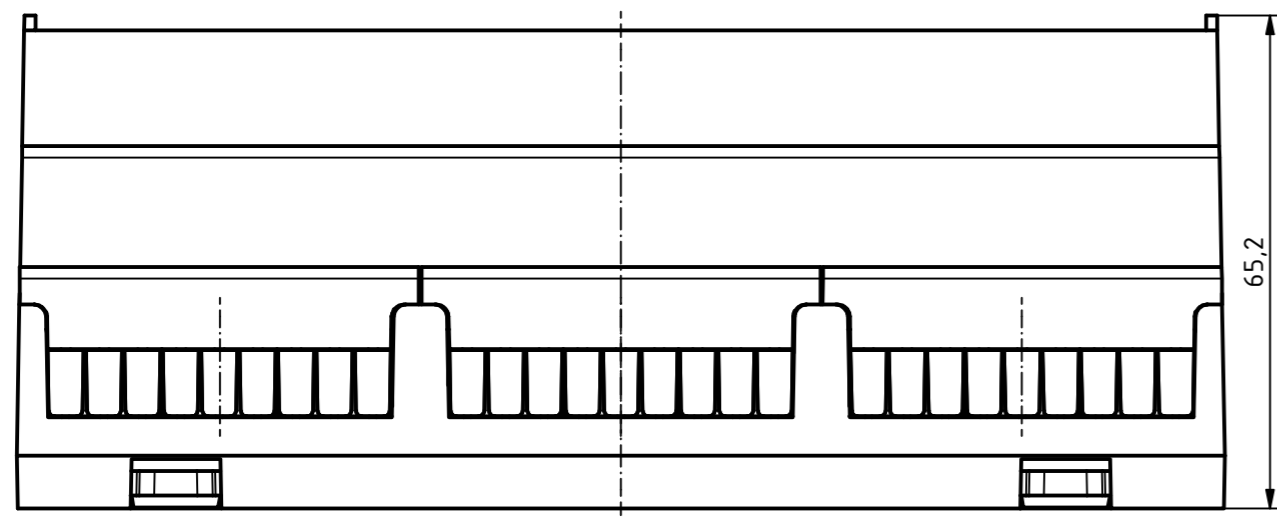
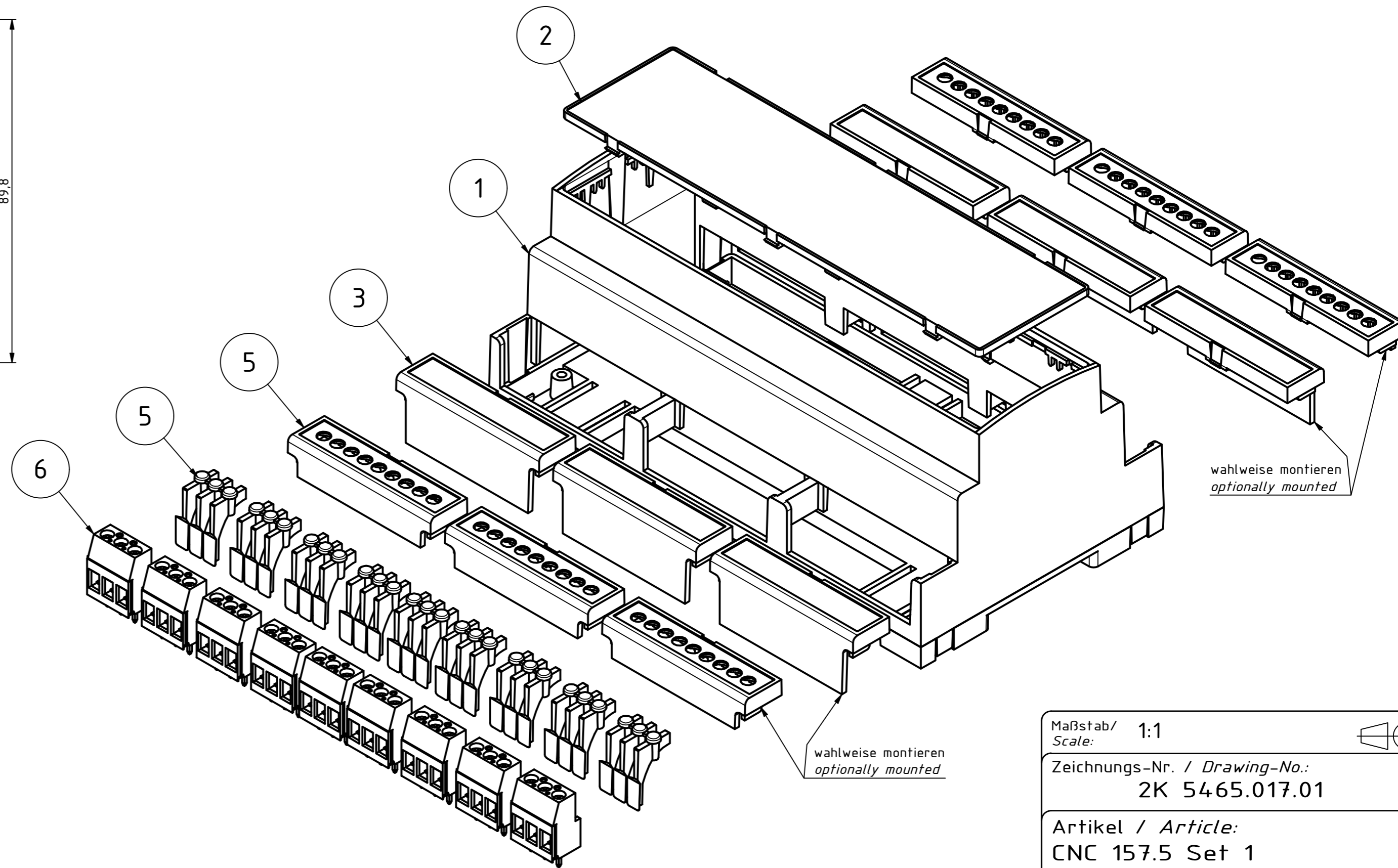
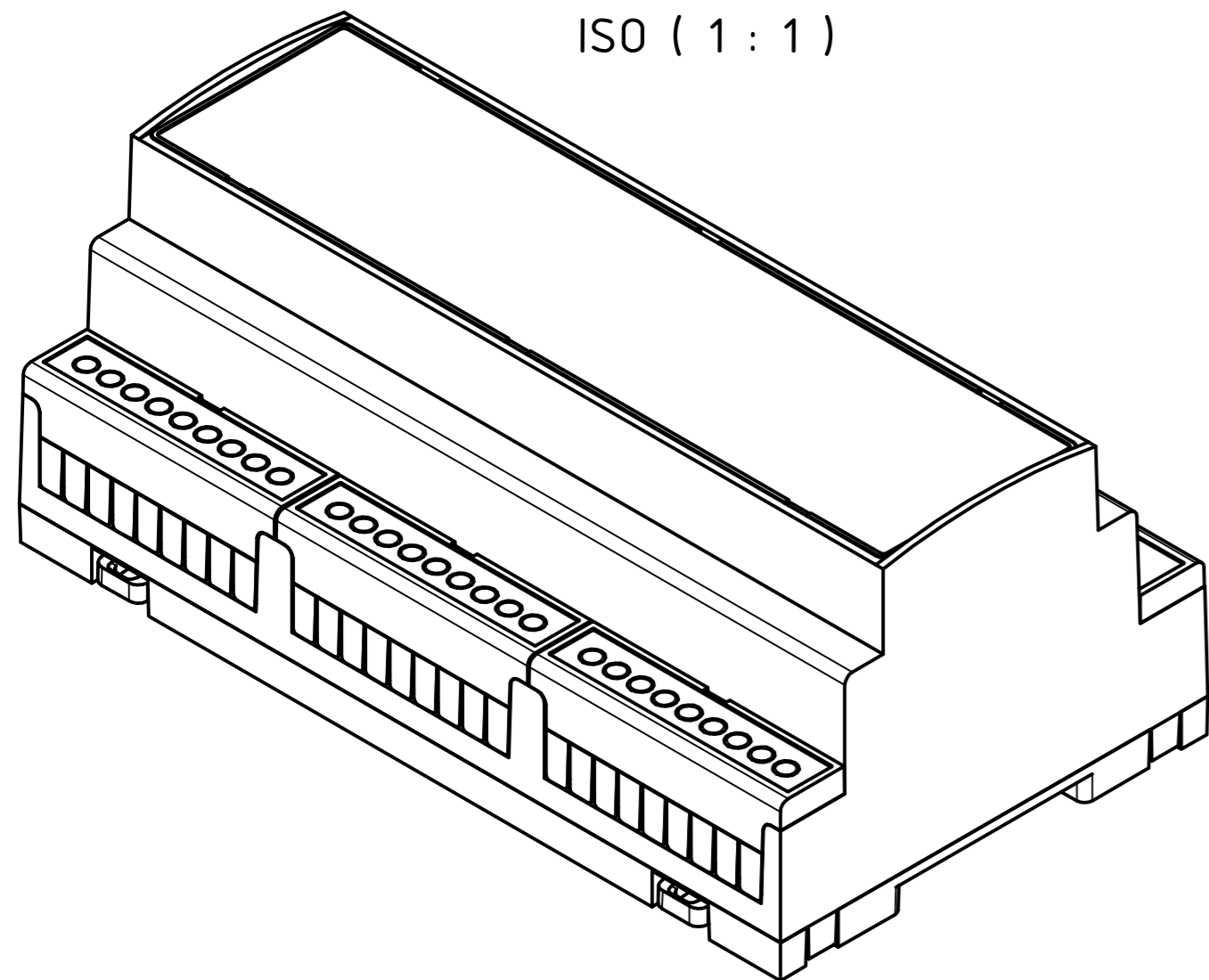


"Schutzvermerk nach DIN ISO 16016 beachten". "Please pay attention to copyright note DIN ISO 16016".



ISO ( 1 : 1 )



Maßstab / Scale: 1:1

Zeichnungs-Nr. / Drawing-No.: 2K 5465.017.01

Artikel / Article: CNC 157.5 Set 1  
CombiNorm-Control  
Katalogzg./Catalogue draw.

Pos. Nr.:	Art.-Nr.:	Name	Stck. / Qty.
1	65610157	CNC 157.5 Combinorm-Control / CNC 157.5 Combinorm-Control Enclosure	1
2	65621157	CNC 157.5 F Frontplatte oben / CNC 157.5 F Top Cover	1
3	656334.00	CNC KA52.5-G Klemmenabdeckung geschlossen / CNC KA 52.5-G Terminal Cover closed	6
4	65633100	CNC KA52.5-5,08 Klemmenabdeckung 5,08 Raster / CNC KA 52.5-5,08 Terminal Cover 5,08 Grid	6
5	65640100	CNC S-5,08 Abdeckstopfen für 3-polige Klemmen / CNC S-5,08 Cover Plug for 3-Pole Terminals	9
6	66003000	AKZO 700/3 - 5,08 V Anschlussklemme CN /AKZO 700/3-5,08 V Connection Terminal CN	9

A.Nr./ Alt.No.: Datum/ Date: DISK: 2604457.idw Datum/Date: 12.11.2020 BSCH/JL

