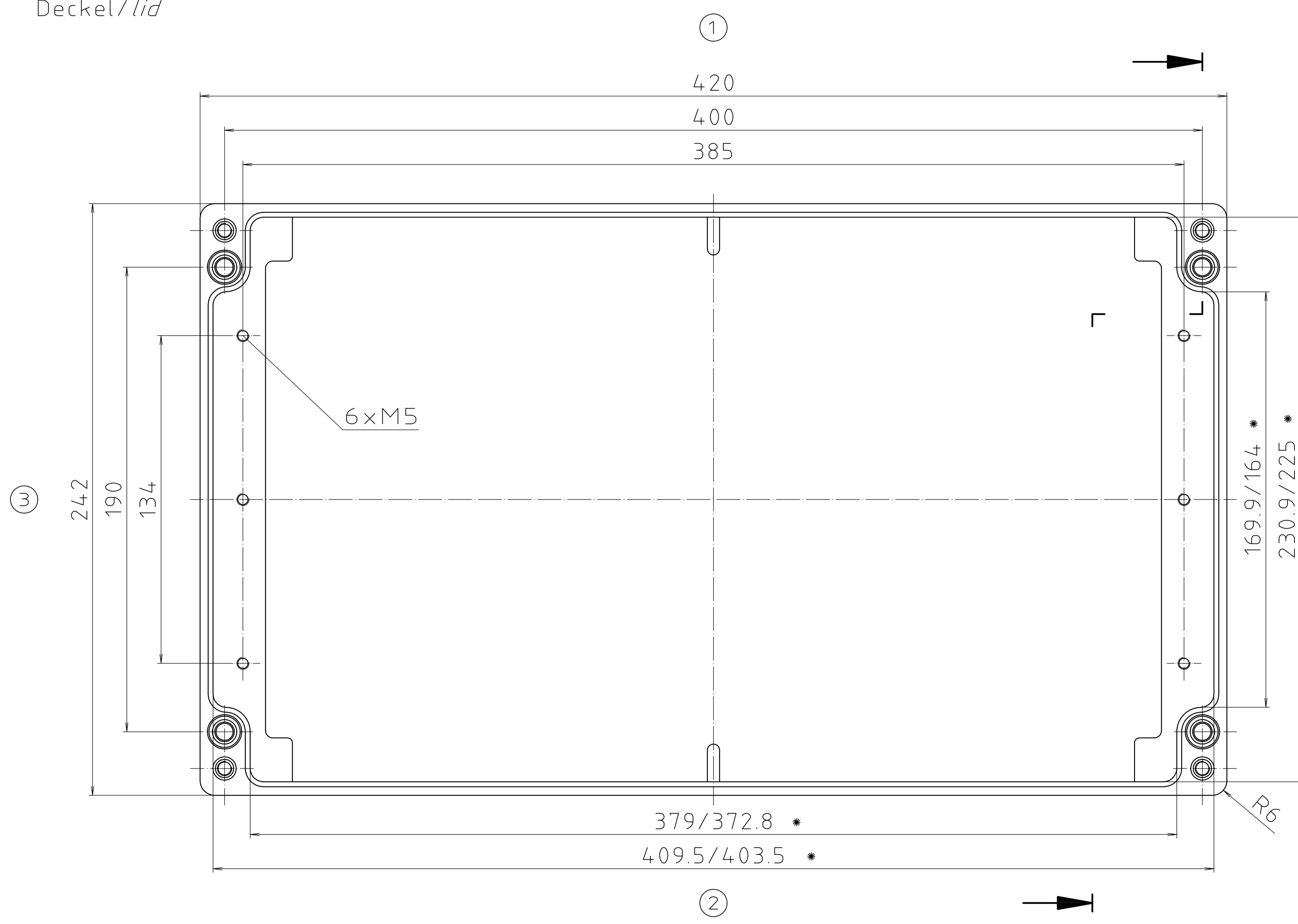


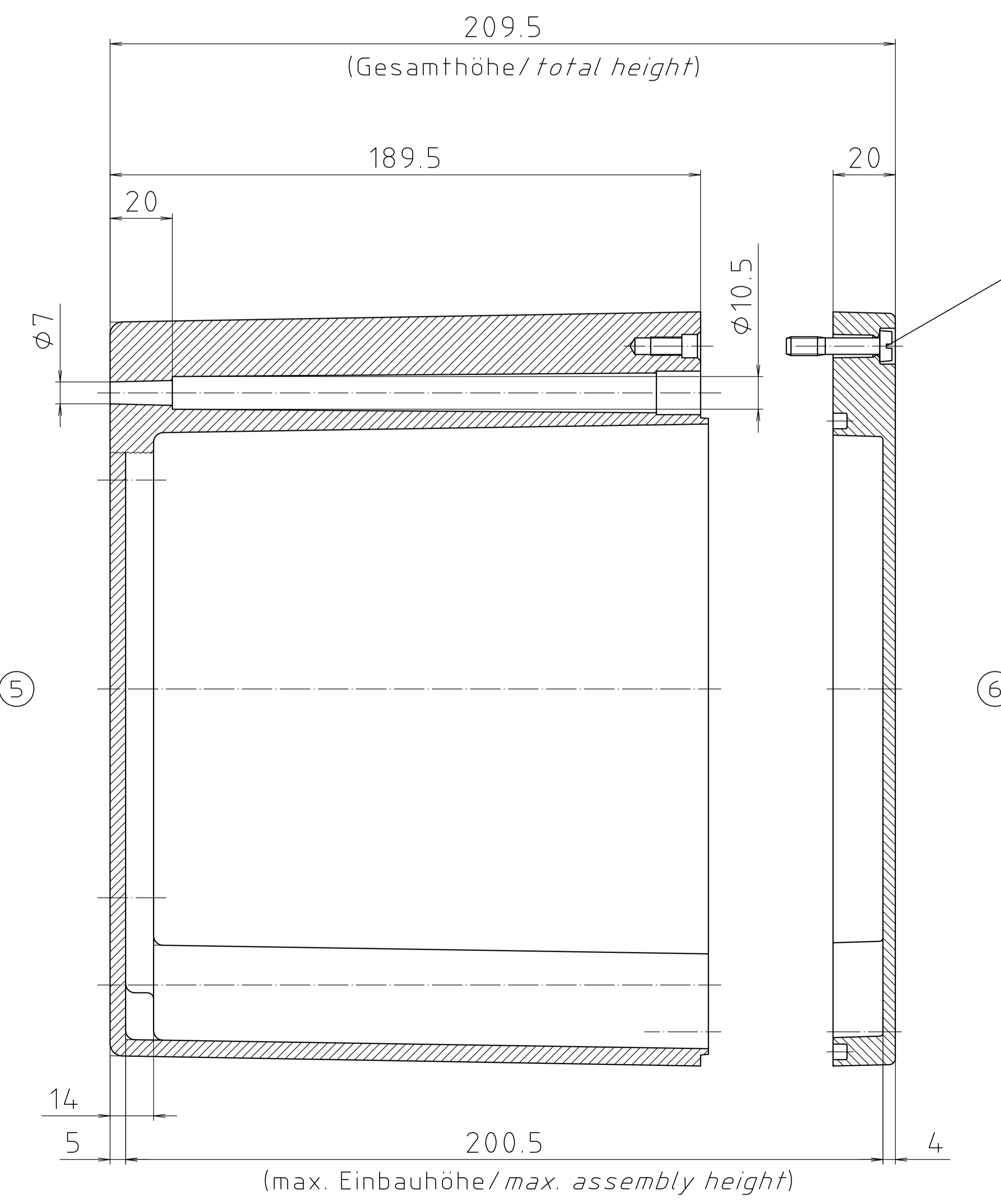
* = Mass durch Formkonizität nach unten verringert.
 Freimass – Toleranz nach GTA 14/5 DIN 1688/
 Dimension reduced at bottom due to conical form.
 Tolerances to GTA 14/5 DIN 1688

Deckel/lid

Zylinderschraube M6 x 30/10
 ähnl. DIN EN ISO 1207/
 cylinder screw M6 x 30/10
 similar to DIN EN ISO 1207



Unterteil/base



Maßstab/ Scale:	1:1
Zeichnungs-Nr. / Drawing-No.:	OK 195.012.04
Artikel / Article:	A 195
Katalogzeichnung/ Catalogue drawing	
A-Nr. / Datum/ Art.-No. / Date:	3948 15.07.2010 3795 05.02.2007 3587 11.12.2001
DISK:	2 401 751
Datum/Date:	27.04.99 HR



Schutzzeichen nach DIN ISO 16818, 16819, 16820, 16821, 16822, 16823, 16824, 16825, 16826, 16827, 16828, 16829, 16830, 16831, 16832, 16833, 16834, 16835, 16836, 16837, 16838, 16839, 16840, 16841, 16842, 16843, 16844, 16845, 16846, 16847, 16848, 16849, 16850, 16851, 16852, 16853, 16854, 16855, 16856, 16857, 16858, 16859, 16860, 16861, 16862, 16863, 16864, 16865, 16866, 16867, 16868, 16869, 16870, 16871, 16872, 16873, 16874, 16875, 16876, 16877, 16878, 16879, 16880, 16881, 16882, 16883, 16884, 16885, 16886, 16887, 16888, 16889, 16890, 16891, 16892, 16893, 16894, 16895, 16896, 16897, 16898, 16899, 16900, 16901, 16902, 16903, 16904, 16905, 16906, 16907, 16908, 16909, 16910, 16911, 16912, 16913, 16914, 16915, 16916, 16917, 16918, 16919, 16920, 16921, 16922, 16923, 16924, 16925, 16926, 16927, 16928, 16929, 16930, 16931, 16932, 16933, 16934, 16935, 16936, 16937, 16938, 16939, 16940, 16941, 16942, 16943, 16944, 16945, 16946, 16947, 16948, 16949, 16950, 16951, 16952, 16953, 16954, 16955, 16956, 16957, 16958, 16959, 16960, 16961, 16962, 16963, 16964, 16965, 16966, 16967, 16968, 16969, 16970, 16971, 16972, 16973, 16974, 16975, 16976, 16977, 16978, 16979, 16980, 16981, 16982, 16983, 16984, 16985, 16986, 16987, 16988, 16989, 16990, 16991, 16992, 16993, 16994, 16995, 16996, 16997, 16998, 16999, 17000