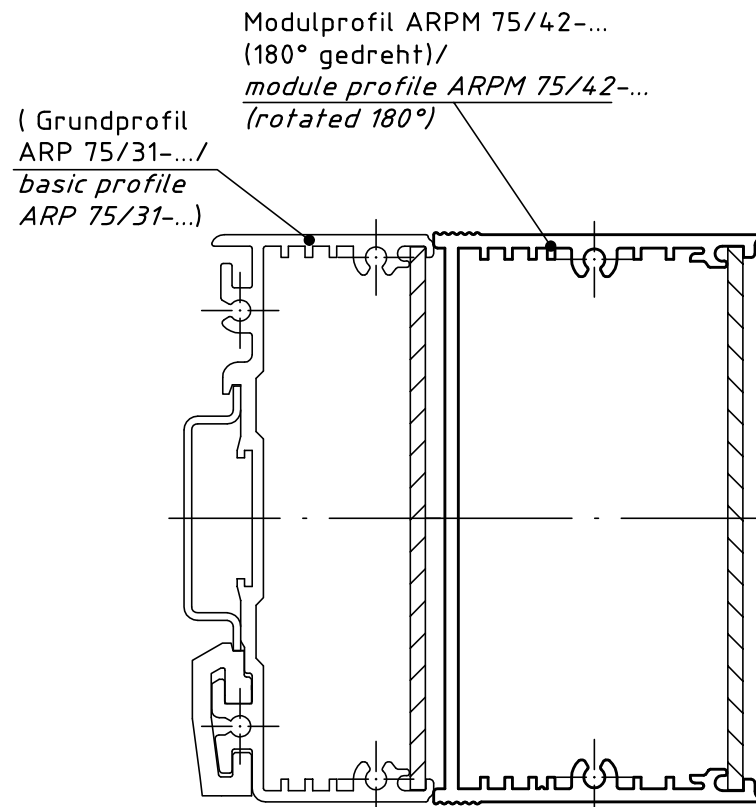
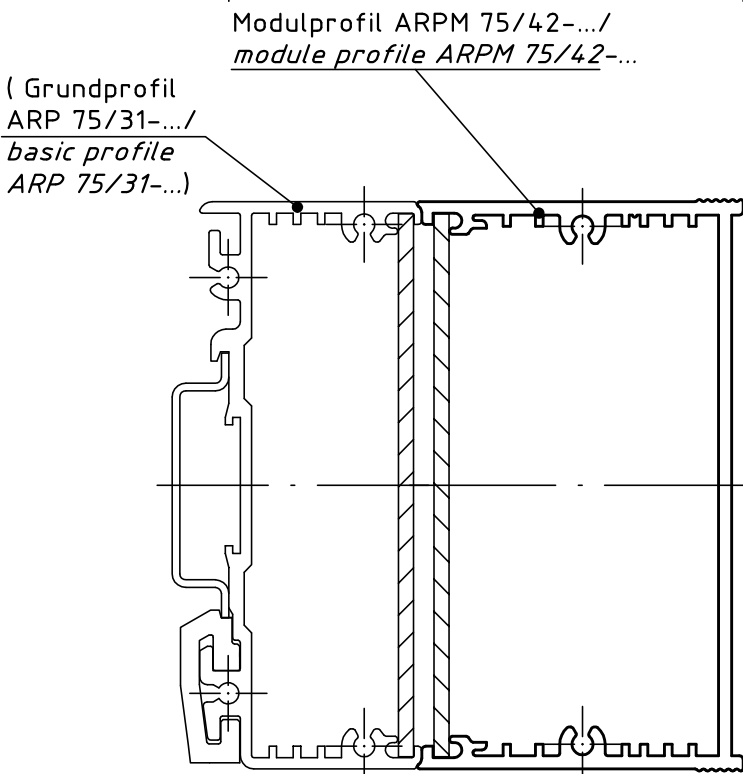
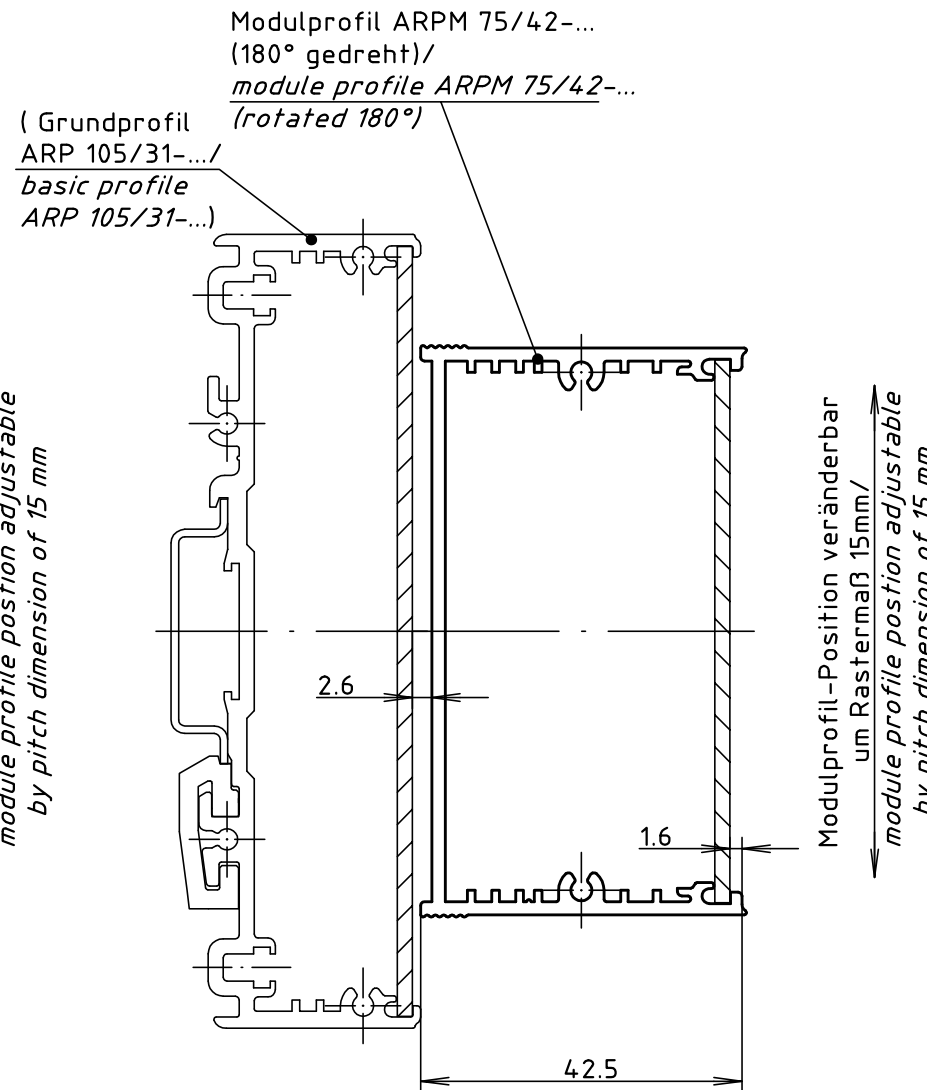
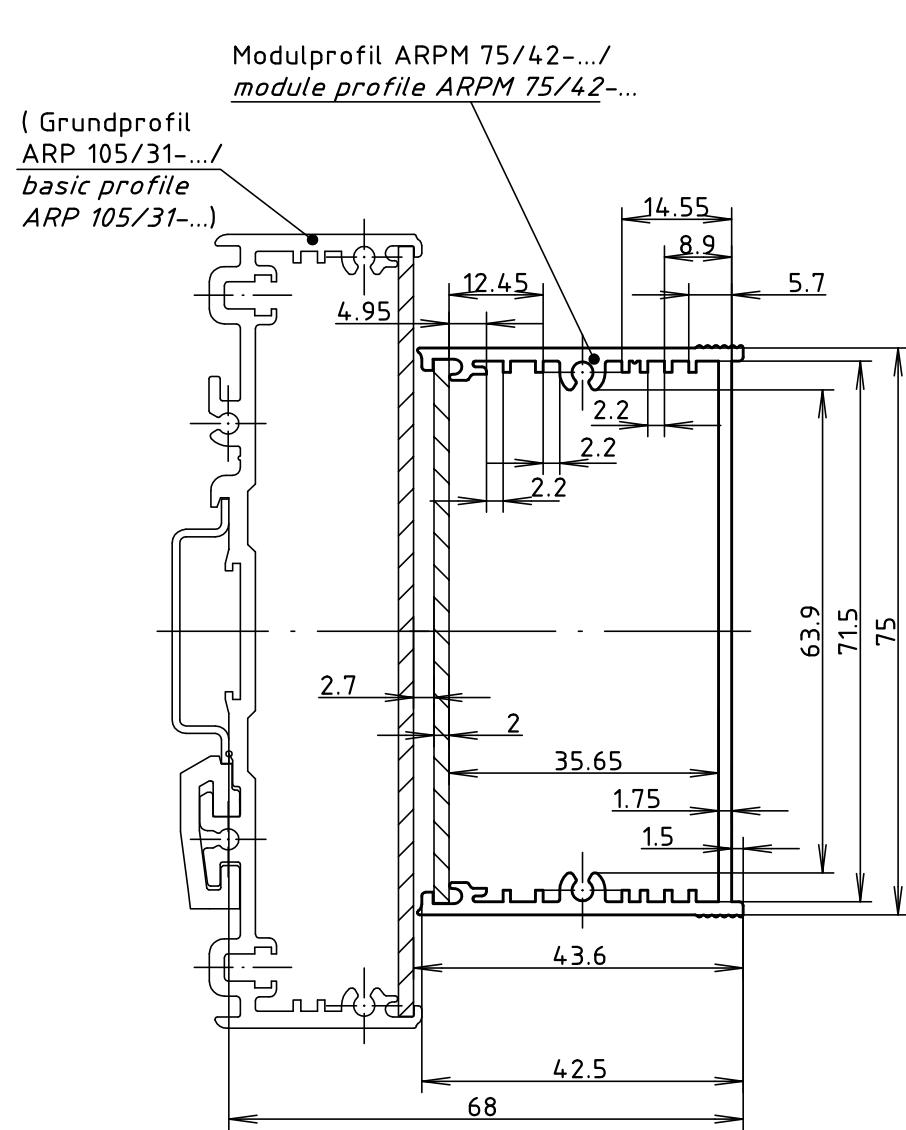


"Schutzvermerk nach DIN ISO 16016 beachten" "Please pay attention to copyright note DIN ISO 16016"



Modell / model	LM=Modulprofillänge / LM=module profile length
ARPM 75/42-35	25.0
ARPM 75/42-52.5	42.5
ARPM 75/42-70	60.0
ARPM 75/42-105	95.0
ARPM 75/42-140	130.0
ARPM 75/42-175	165.0
ARPM 75/42-210	200.0
ARPM 75/42-245	235.0
ARPM 75/42-1000	990.0

Maßstab/ Scale:	1:1	
Zeichnungs-Nr. / Drawing-No.:		
3K 5255.190.01		
Artikel / Article:		
ARPM 75/42-...		
Katalogzeichnung/ Catalogue drawing		
A.Nr/ Alt-No.:	Datum/ Date:	
DISK: 2 602 106		
Datum/Date: 24.01.01 KH		

BOPLA
A Phoenix Mecano Company