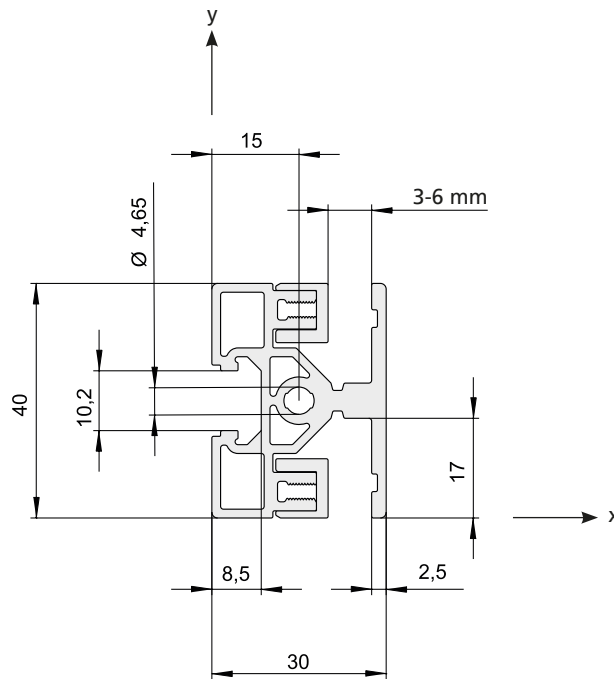


## Clamping profile KLD 30x40



|        |      |                 |
|--------|------|-----------------|
| Area   | 436  | mm <sup>2</sup> |
| $I_x$  | 5,5  | cm <sup>4</sup> |
| $I_y$  | 3,8  | cm <sup>4</sup> |
| $W_x$  | 2,7  | cm <sup>3</sup> |
| $W_y$  | 2,5  | cm <sup>3</sup> |
| Weight | 1426 | g/m             |

| Code No. Clamping profile KLD 30x40 |             |              | Anodised |
|-------------------------------------|-------------|--------------|----------|
| 4F85008                             | Cut to size | max. 6000 mm | Clear    |
| 4F85009                             | Bar         | à 6000 mm    | Clear    |