

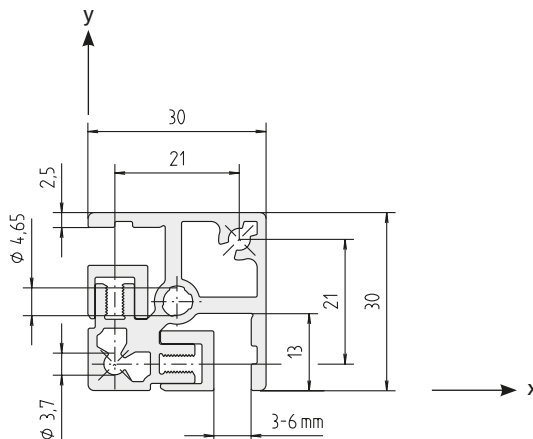
Functional profiles

Frame profiles / size 30

Order instruction:

- Purchase only in lot sizes and a multiple of that see product table below

Clamping profile KLE 30x30

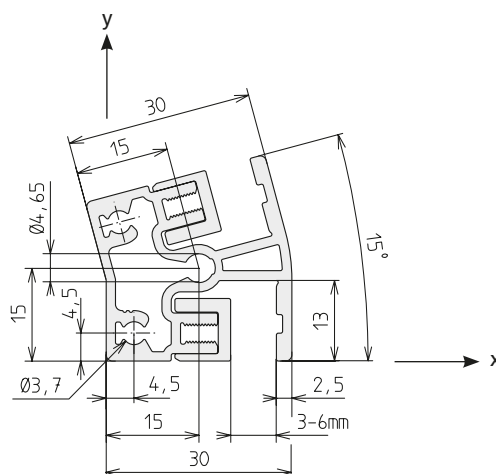


| | | |
|--------|------|-----------------|
| Area | 348 | mm ² |
| I_x | 3.0 | cm ⁴ |
| I_y | 3.0 | cm ⁴ |
| W_x | 2.0 | cm ³ |
| W_y | 2.0 | cm ³ |
| Weight | 1179 | g/m |

| Code No. Clamping profile KLE 30x30 | | | Anodised |
|-------------------------------------|-------------|--------------|----------|
| 4705008 | Cut to size | max. 6000 mm | Clear |
| 4705009 | Bar | 6000 mm | Clear |

| Code No. Corner joint | Type | lot sizes |
|-----------------------|--------|-----------------|
| 4702406 | KLE 30 | 4, 8, 12... pcs |

Clamping profile KLV 30-15



| | | |
|--------|-----|-----------------|
| Area | 317 | mm ² |
| I_x | 2.5 | cm ⁴ |
| I_y | 3.3 | cm ⁴ |
| W_x | 1.6 | cm ³ |
| W_y | 2.0 | cm ³ |
| Weight | 857 | g/m |

| Code No. Clamping profile KLV 30-15 | | | Anodised |
|-------------------------------------|-------------|--------------|----------|
| 4405000 | Cut to size | max. 6000 mm | Clear |
| 4405001 | Bar | 6000 mm | Clear |

| Code No. Corner joint | Type | lot sizes |
|-----------------------|-----------|-----------|
| 4402406 | KLV 30-15 | - |