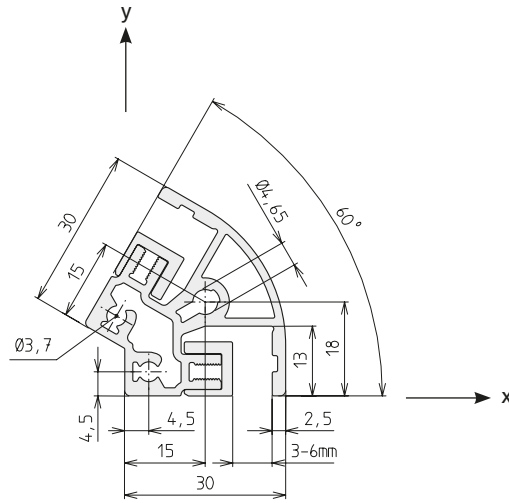


Functional profiles

# Frame profiles / size 30

## Clamping profile K LW 30-60



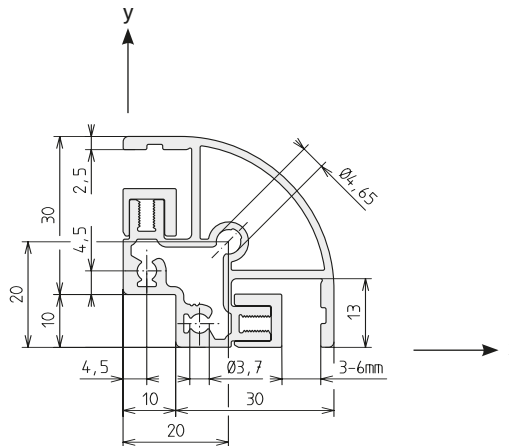
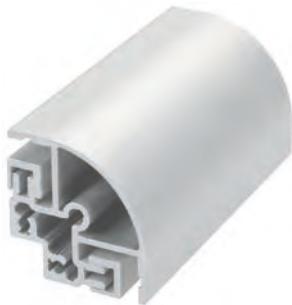
Area	357	mm <sup>2</sup>
I <sub>x</sub>	3.3	cm <sup>4</sup>
I <sub>y</sub>	3.5	cm <sup>4</sup>
W <sub>x</sub>	1.7	cm <sup>3</sup>
W <sub>y</sub>	1.5	cm <sup>3</sup>
Weight	966	g/m

Code No. Clamping profile K LW30-60			Anodised
4445000	Cut to size	max. 6000 mm	Clear
4445001	Bar	6000 mm	Clear

Code No. Corner joint	Type
4622406	K LW 30-60

## Clamping profile K LW 30-90



Area	390	mm <sup>2</sup>
I <sub>x</sub>	4.1	cm <sup>4</sup>
I <sub>y</sub>	6.5	cm <sup>4</sup>
W <sub>x</sub>	2.1	cm <sup>3</sup>
W <sub>y</sub>	2.6	cm <sup>3</sup>
Weight	1053	g/m

Code No. Clamping profile K LW 30-90			Anodised
4435000	Cut to size	max. 6000 mm	Clear
4435001	Bar	6000 mm	Clear

Code No. Corner joint	Type
4432406	K LW 30-90