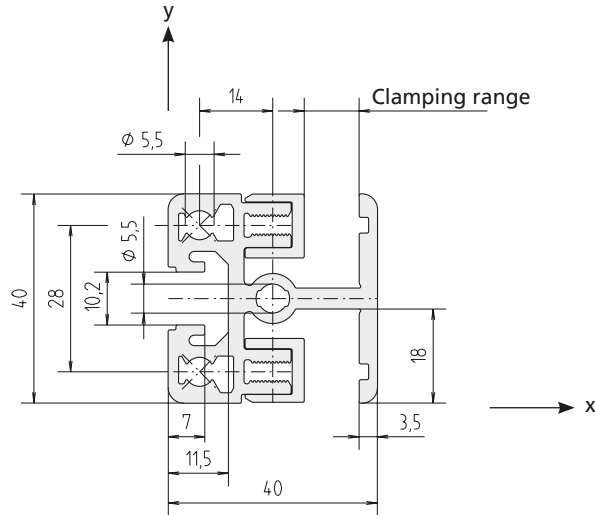


### Clamping profile KLD 40x40

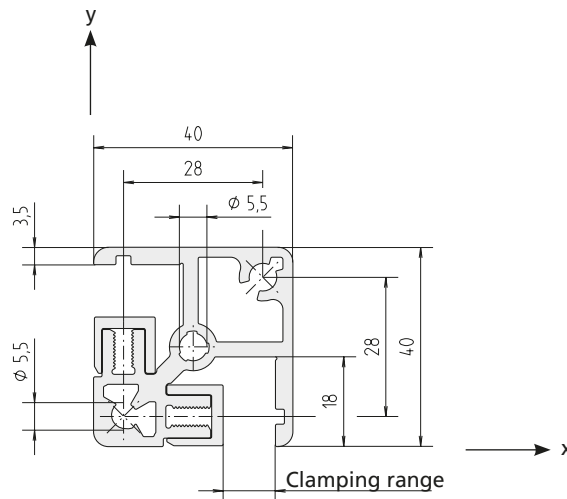


Area	624	mm <sup>2</sup>
$I_x$	8.4	cm <sup>4</sup>
$I_y$	10.2	cm <sup>4</sup>
$W_x$	4.2	cm <sup>3</sup>
$W_y$	4.6	cm <sup>3</sup>
Weight	1690	g/m

Code No. Clamping profile KLD 40x40			Clamping range	Ano-dised
4615100	Cut to size	max. 6000 mm	0-6 mm	Clear
4615101	Bar	6000 mm	0-6 mm	Clear
4615008	Cut to size	max. 6000 mm	4-10 mm	Clear
4615009	Bar	6000 mm	4-10 mm	Clear

Code No. Corner joint	Type	lot sizes
4212408	KLK 40	4, 8, 12... pcs
4212407	KLV 40	4, 8, 12... pcs

### Clamping profile KLE 40x40



Area	590	mm <sup>2</sup>
$I_x$	9.3	cm <sup>4</sup>
$I_y$	9.3	cm <sup>4</sup>
$W_x$	4.6	cm <sup>3</sup>
$W_y$	4.6	cm <sup>3</sup>
Weight	1914	g/m

Code No. Clamping profile KLE 40x40			Clamping range	Ano-dised
4715100	Cut to size	max. 6000 mm	0-6 mm	Clear
4715101	Bar	6000 mm	0-6 mm	Clear
4715008	Cut to size	max. 6000 mm	4-10 mm	Clear
4715009	Bar	6000 mm	4-10 mm	Clear

Code No. Corner joint	Type	lot sizes
4712406	KLE 40	4, 8, 12... pcs