

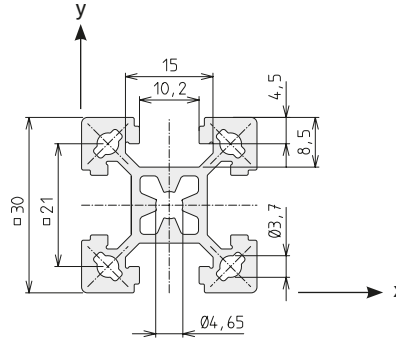
Structural profiles

Profiles / size 30

Order instruction: flange bracket

- Purchase only in lot sizes and a multiple of that see product table below

F-30x30



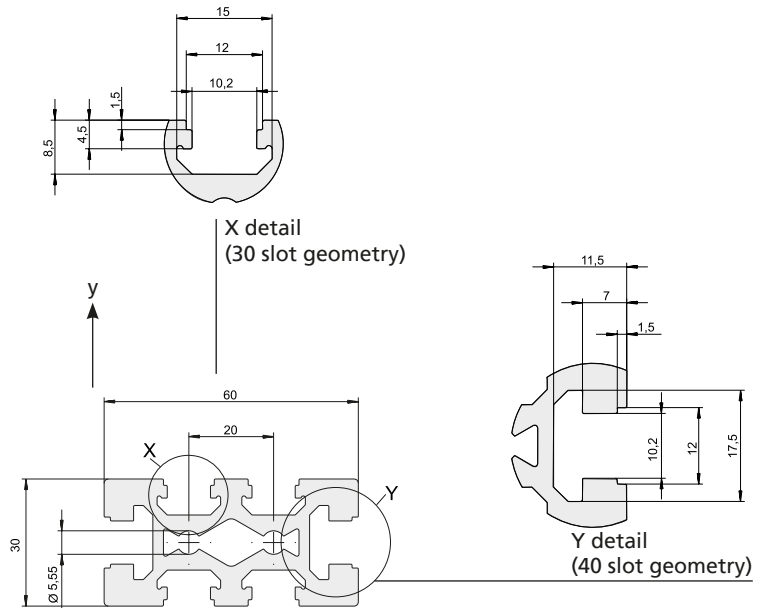
Area	363	mm ²
I _x	3.3	cm ⁴
I _y	3.3	cm ⁴
I _t	0.5	cm ⁴
W _x	2.2	cm ³
W _y	2.2	cm ³
Weight	979	g/m

Code No. F-30x30 profile			Anodised
4575000	Cut to size	max. 6000 mm	Clear
4575001	Bar	6000 mm	Clear

Connection	Connection to slot geometry	lot sizes	Code No.
	30	10, 20, 30... pcs	4306709
	40	10, 20, 30... pcs	4306710

For description of slot geometry, please see page 26

F-30x60



Area	874	mm ²
I _x	7.9	cm ⁴
I _y	29.6	cm ⁴
I _t	2.5	cm ⁴
W _x	5.3	cm ³
W _y	9.9	cm ³
Weight	2350	g/m

Code No. F-30x60 profile			Anodised
4305000	Cut to size	max. 6000 mm	Clear
4305001	Bar	6000 mm	Clear

Connection	Connection to slot geometry	lot sizes	Code No.
	30	10, 20, 30... pcs	4226706
	40	10, 20, 30... pcs	4226702
	30	10, 20, 30... pcs	4176704
	40	10, 20, 30... pcs	4176705

For description of slot geometry, please see page 26