

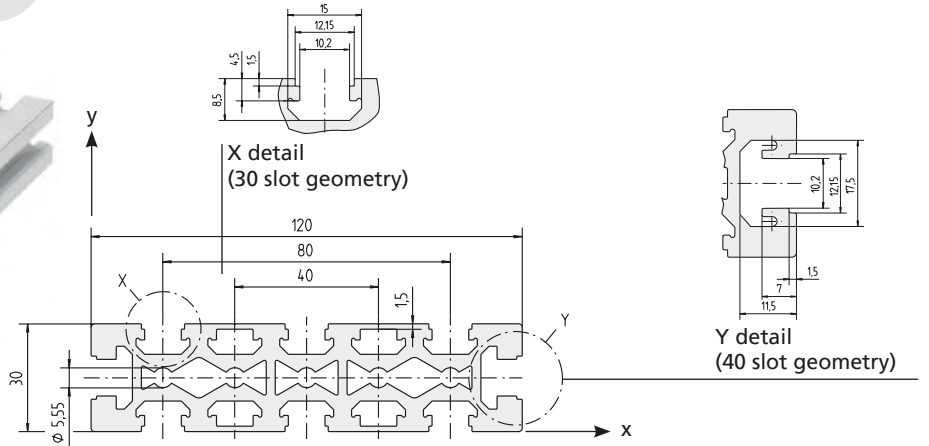
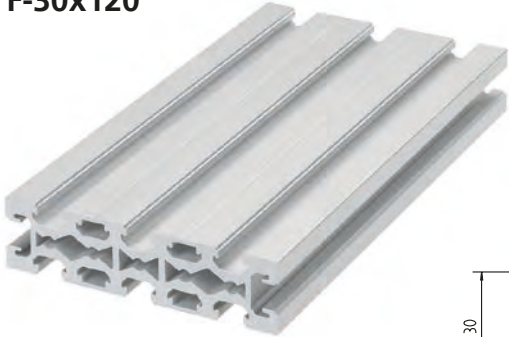
**Structural profiles**

**Profiles / size 30**

**Order instruction: flange bracket**

- Purchase only in lot sizes and a multiple of that see product table below

**F-30x120**



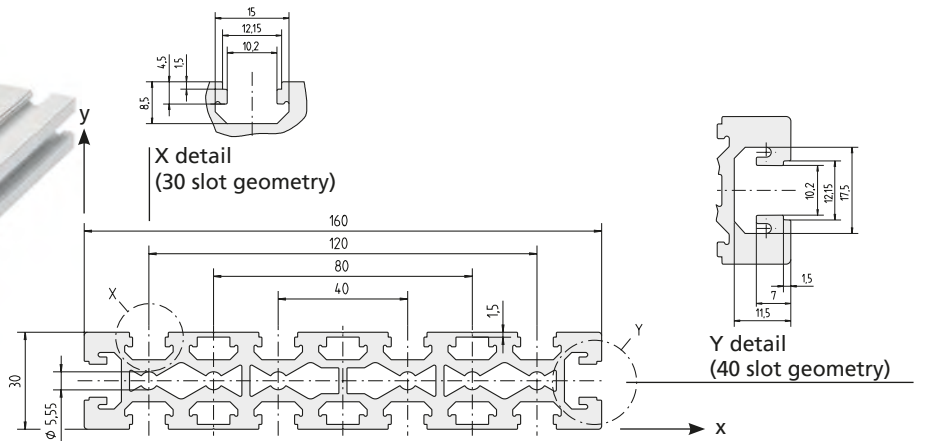
Code No. F-30x120 profile			Anodised
4325000	Cut to size	max. 6000 mm	Clear
4325001	Bar	6000 mm	Clear

Area	1781	mm <sup>2</sup>
$I_x$	15.3	cm <sup>4</sup>
$I_y$	224.5	cm <sup>4</sup>
$I_t$	14.0	cm <sup>4</sup>
$W_x$	10.2	cm <sup>3</sup>
$W_y$	37.5	cm <sup>3</sup>
Weight	4809	g/m

Connection	Connection to slot geometry	lot sizes	Code No.
long.	30	–	4326706
	40	–	4326702
transverse	30	10, 20, 30... pcs	4176704
	40	10, 20, 30... pcs	4176705

For description of slot geometry, please see page 26

**F-30x160**



Code No. F-30x160 profile			Anodised
4335000	Cut to size	max. 6000 mm	Clear
4335001	Bar	6000 mm	Clear

Area	2309	mm <sup>2</sup>
$I_x$	20.0	cm <sup>4</sup>
$I_y$	513.0	cm <sup>4</sup>
$I_t$	21.3	cm <sup>4</sup>
$W_x$	13.3	cm <sup>3</sup>
$W_y$	64.1	cm <sup>3</sup>
Weight	6230	g/m

Connection	Connection to slot geometry	lot sizes	Code No.
long.	30	–	4336706
	40	–	4336702
transverse	30	10, 20, 30... pcs	4176704
	40	10, 20, 30... pcs	4176705

For description of slot geometry, please see page 26