

## TECHNICAL DATA:

### General Data

Force	Max. 6000 N push / 4000 N pull
Speed adjustment	Max. 38 mm/s
Stroke length	Min. 15mm - max. 600mm
Installation dimension (B)	Smaller than stroke 400mm = stroke +175mm Greater or equal than stroke 400mm = stroke +225mm
Duty cycle	10% / 20min (AB 2/18)
Position feedback	Optional
Synchronous operation	Yes with control unit
Supply voltage	12VDC or 24VDC
Intergrated limit switch	Yes
End position signal	Optional
Protection class	IP66 (static)
Self-locking	Up to nominal load
Ambient temperature range	-20°C to +60°C

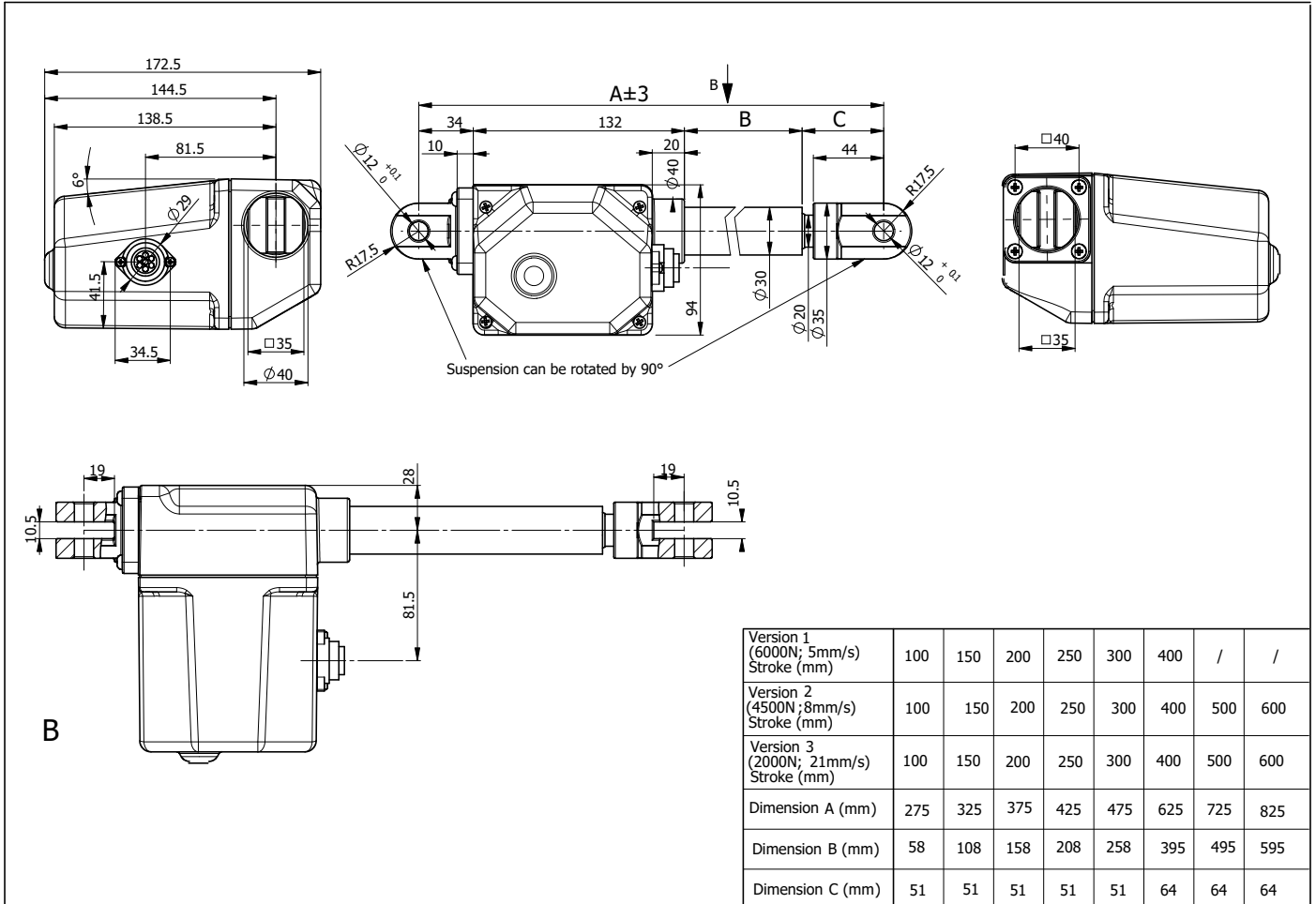
### Components

Rod end	POM, hole 12.1mm
Housing end	POM, hole 12.1mm
Lift tube material	Stainless steel
Housing material	POM
Housing colour	black
Connection	Connector Amphenol 6-pole or Hirschmann GDM
Cable length	1,5m, 3m
Options	Suspensions individually selectable Special strokes adjustable ex works

### More data

Control / Regulation	Voltage polarity
Position feedback	End position feedback potential bound End position feedback potential-free Potentiometer
Monitoring	Thermoswitch

TECHNICAL DRAWING:



PERFORMANCE DATA

