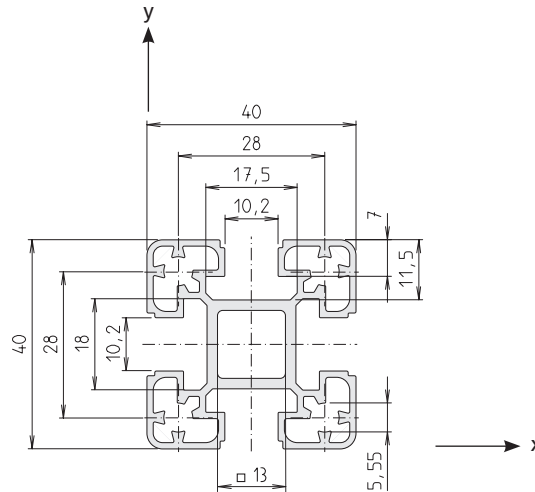
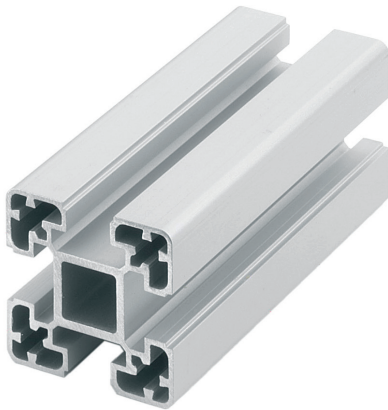
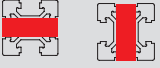


S-40x40-L



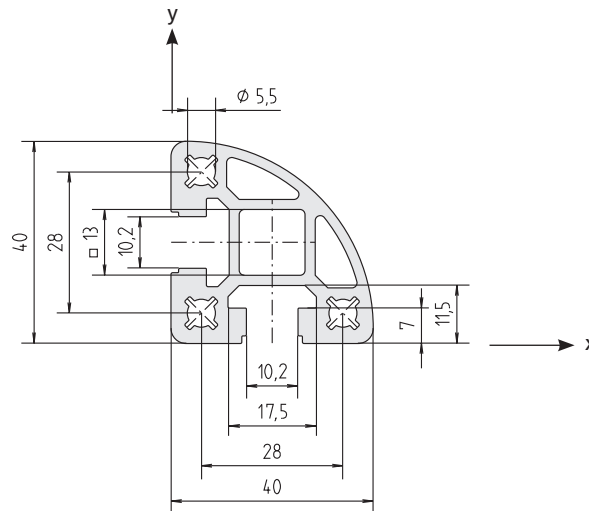
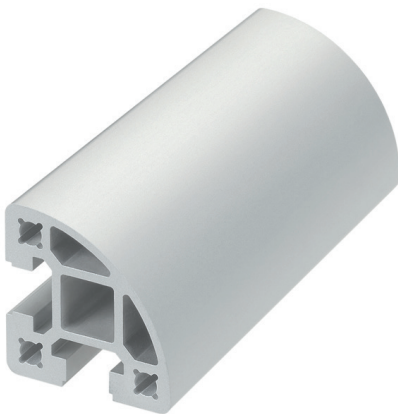
Area	440	mm ²
I _x	6,8	cm ⁴
I _y	6,8	cm ⁴
W _x	3,4	cm ³
W _y	3,4	cm ³
Weight	1189	g/m

Code No. profile S-40x40-L			Anodised
4D15000	Cut to size	max. 6000 mm	Clear
4D15001	Bar	à 6000 mm	Clear

Connection	Quantity required per conn.	Slot geometry	Hidden bracket	Slot stone	Code No. /unit
 long. + transverse	1 unit	40	40	-L-	4016500
	1 unit	40	40	-F-	4016700


Description slot geometry see page 7

S-R 40



Area	563	mm ²
I _x	8,4	cm ⁴
I _y	8,4	cm ⁴
W _x	3,7	cm ³
W _y	3,7	cm ³
Weight	1520	g/m

Code No. profile S-R 40			Anodised
4115000	Cut to size	max. 6000 mm	Clear
4115001	Bar	à 6000 mm	Clear

Connection	Quantity required per conn.	Slot geometry	Hidden bracket	Slot stone	Code No. /unit
 long. + transverse	1 unit	40	40 (K)	-F-	4116700

Description slot geometry see page 7