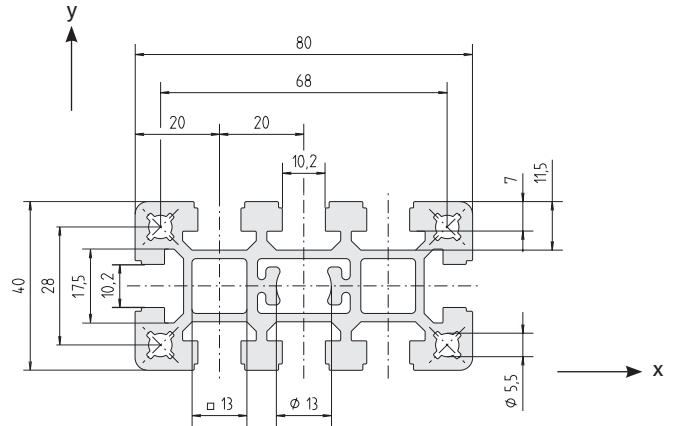
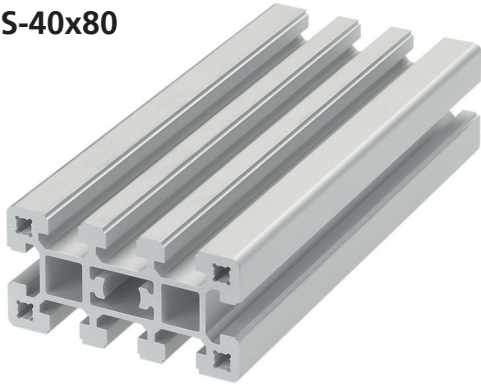


## S-profiles

### S-40x80



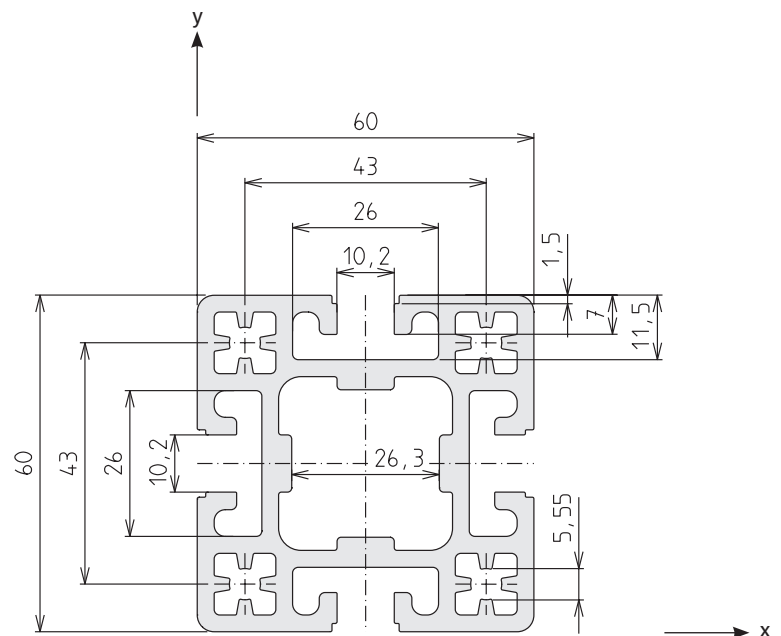
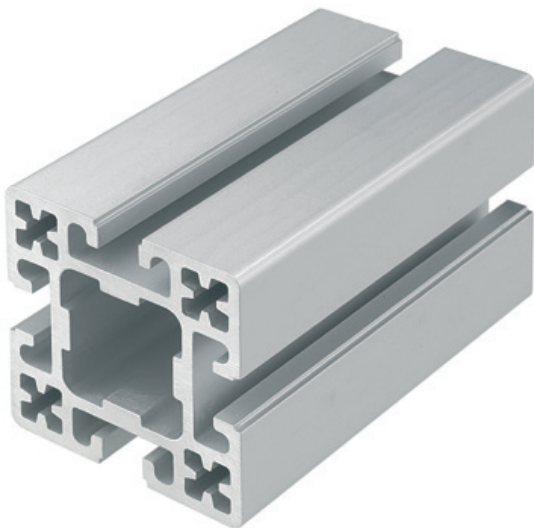
Area	1237	mm <sup>2</sup>
I <sub>x</sub>	19,4	cm <sup>4</sup>
I <sub>y</sub>	76	cm <sup>4</sup>
W <sub>x</sub>	9,7	cm <sup>3</sup>
W <sub>y</sub>	19	cm <sup>3</sup>
Weight	3340	g/m

Code No. profile S-40x80			Anodised
4035000	Cut to size	max. 6000 mm	Clear
4035001	Bar	à 6000 mm	Clear
4035010	Cut to size	max. 6000 mm	Black
4035011	Bar	à 6000 mm	Black

Connection	Quantity required per conn.	Slot geometry	Hidden bracket	Slot stone	Code No. /unit
long.	1 unit	40	80	-L-	4036500
	1 unit	40	80	-F-	4036700
transverse	2 units	40	40	-L-	4016500
	2 units	40	40	-F-	4016700

Description slot geometry see page 8

### S-60x60 II



Area	1469	mm <sup>2</sup>
I <sub>x</sub>	56,4	cm <sup>4</sup>
I <sub>y</sub>	56,4	cm <sup>4</sup>
W <sub>x</sub>	18,8	cm <sup>3</sup>
W <sub>y</sub>	18,8	cm <sup>3</sup>
Weight	3967	g/m

Code No. profile S-60x60 II			Anodised
4975000	Cut to size	max. 6000 mm	Clear
4975001	Bar	à 6000 mm	Clear

Connection	Quantity required per conn.	Slot geometry	Hidden bracket	Slot stone	Code No. /unit
long. + transverse	1 unit	40	60-II	-L-	4976500

Description slot geometry see page 8