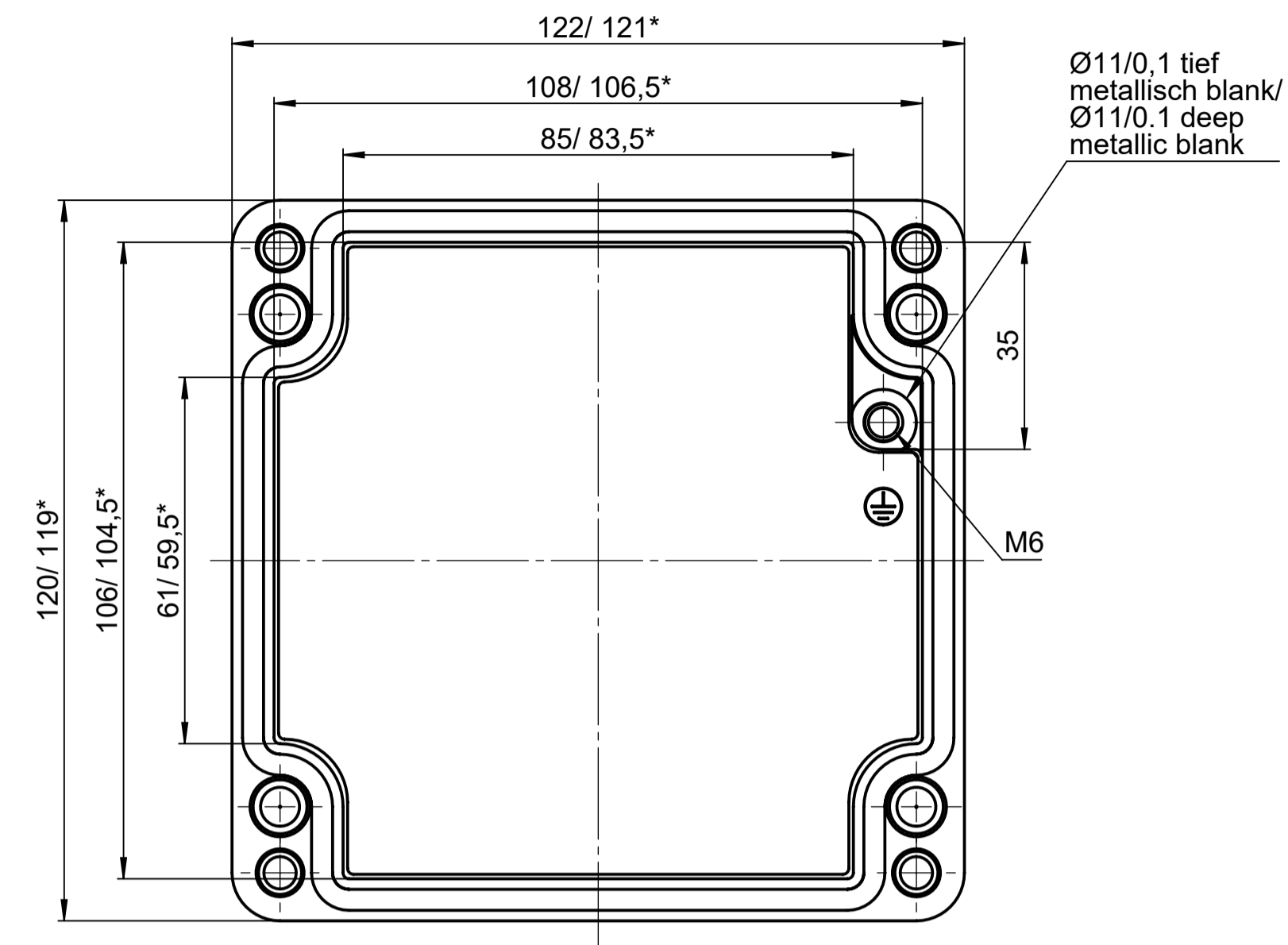


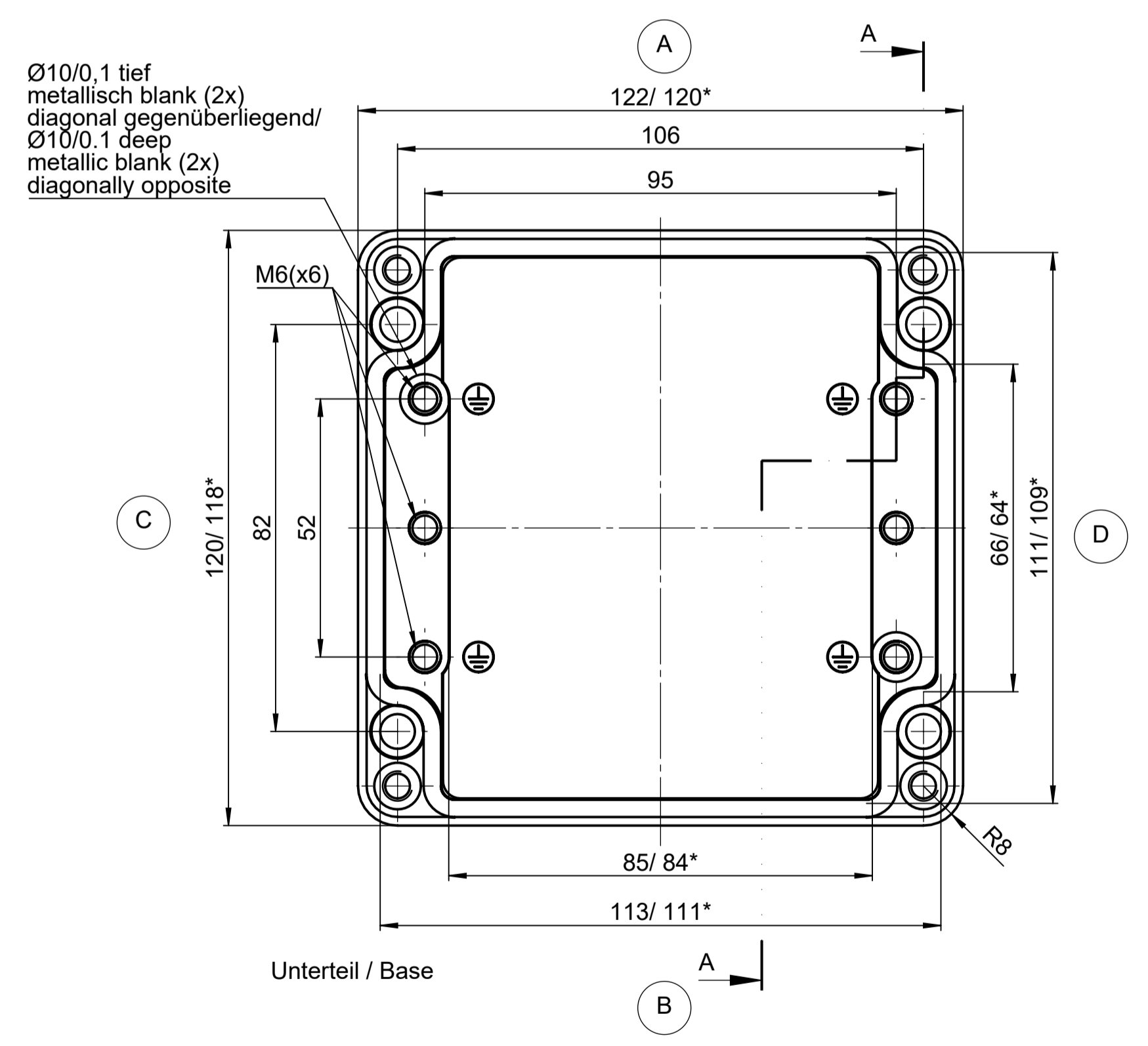
Für diese techn. Unterlage behalten wir uns alle Rechte vor. Alle Rechte vorbehalten. This drawing is the property of ROSE Systemtechnik GmbH. It is not to be reproduced, stored in a retrieval system, or transmitted in any form or by any means, electronic, mechanical, photocopying, recording, or by any information storage and retrieval system, without the prior written permission of ROSE Systemtechnik GmbH.

All rights reserved. No copies or reproductions of this drawing may be made without the prior written permission of ROSE Systemtechnik GmbH. This drawing may be used for information only and is not to be used for manufacturing or assembly purposes.

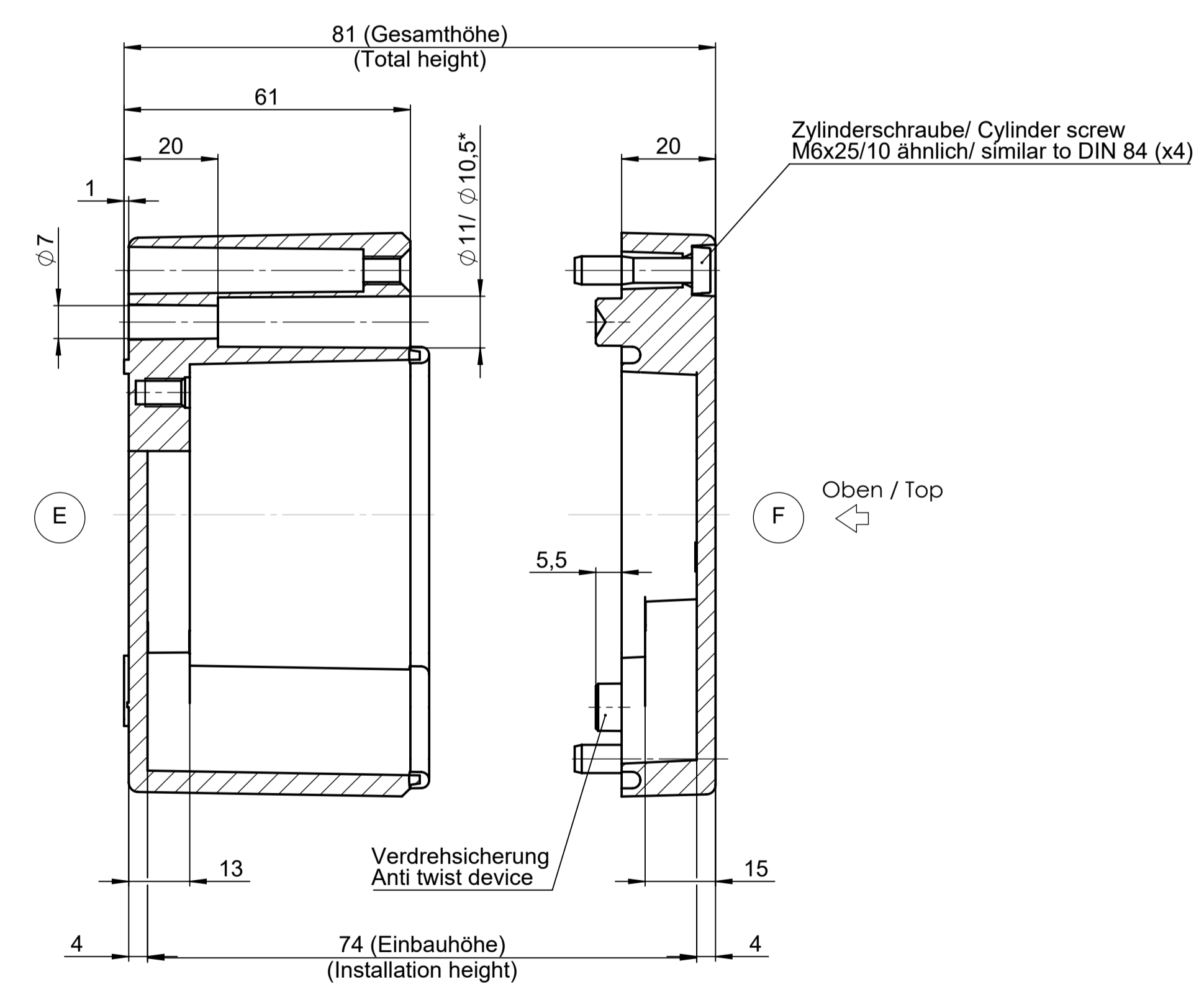


Deckel / Lid

* = Mass durch Formkonizität nach unten verringert.
Freimass - Toleranz nach GTA 13/5 - DIN 1688
* = Dimensions reduced in the lower part by mould incline
General tolerances according to GTA 13/5 - DIN 1688



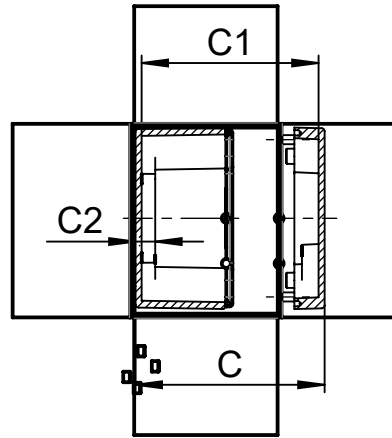
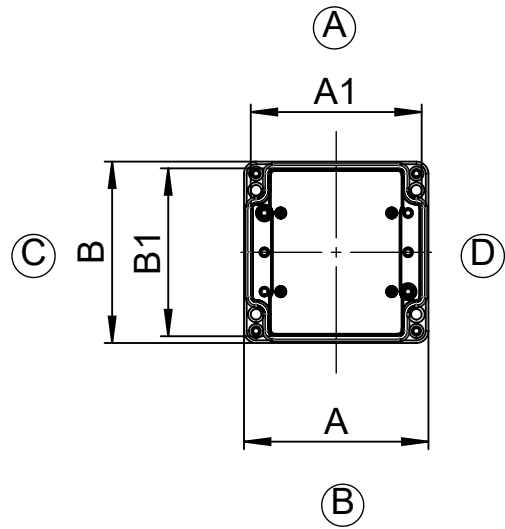
Unterteil / Base



Oben / Top

Verdrehsicherung
Anti twist device

Projekt-Nr./project-no.		Farbe/color		Gewicht/weight		956g	
Index	Änderung/Modification	Änd. Nr. Mod. Nr.	Datum/Date/Name	Werkstoff/Material			
ROSE	Systemtechnik GmbH 32457 Porta Westfalica	erstellt: created:	02.09.14 D.Mac	Oberfläche/Surface	Freimass - Toleranz open tolerances		
Maßstab Scale	Benennung/Description	geprüft: checked:	27.01.21 A.Hel.	Werkstückanten/Edges	DIN 1688-GTA 13/5		
1:1	Aluminium Gehäuse Aluminium enclosure	Ersatz für Replacement for		Bemerkung/Note			
DIN A1		Zeichnung-Nr./Drawing-No.:		KAT01.121208			



01.050503
 01.060603
 01.080806
 01.101008
 KAT01.121208
 01.121209
 01.141409
 01.161609
 01.181810
 01.606020