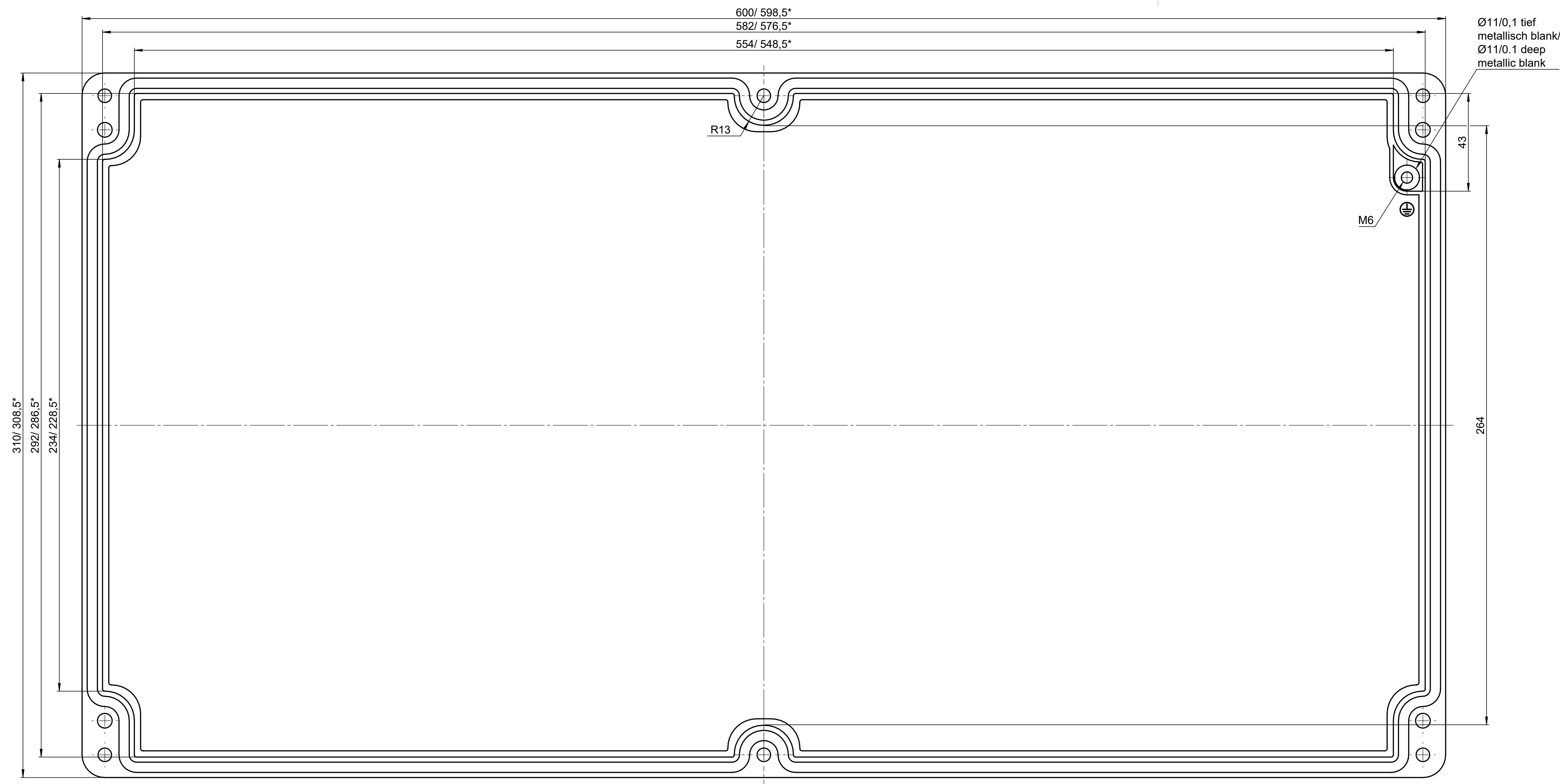
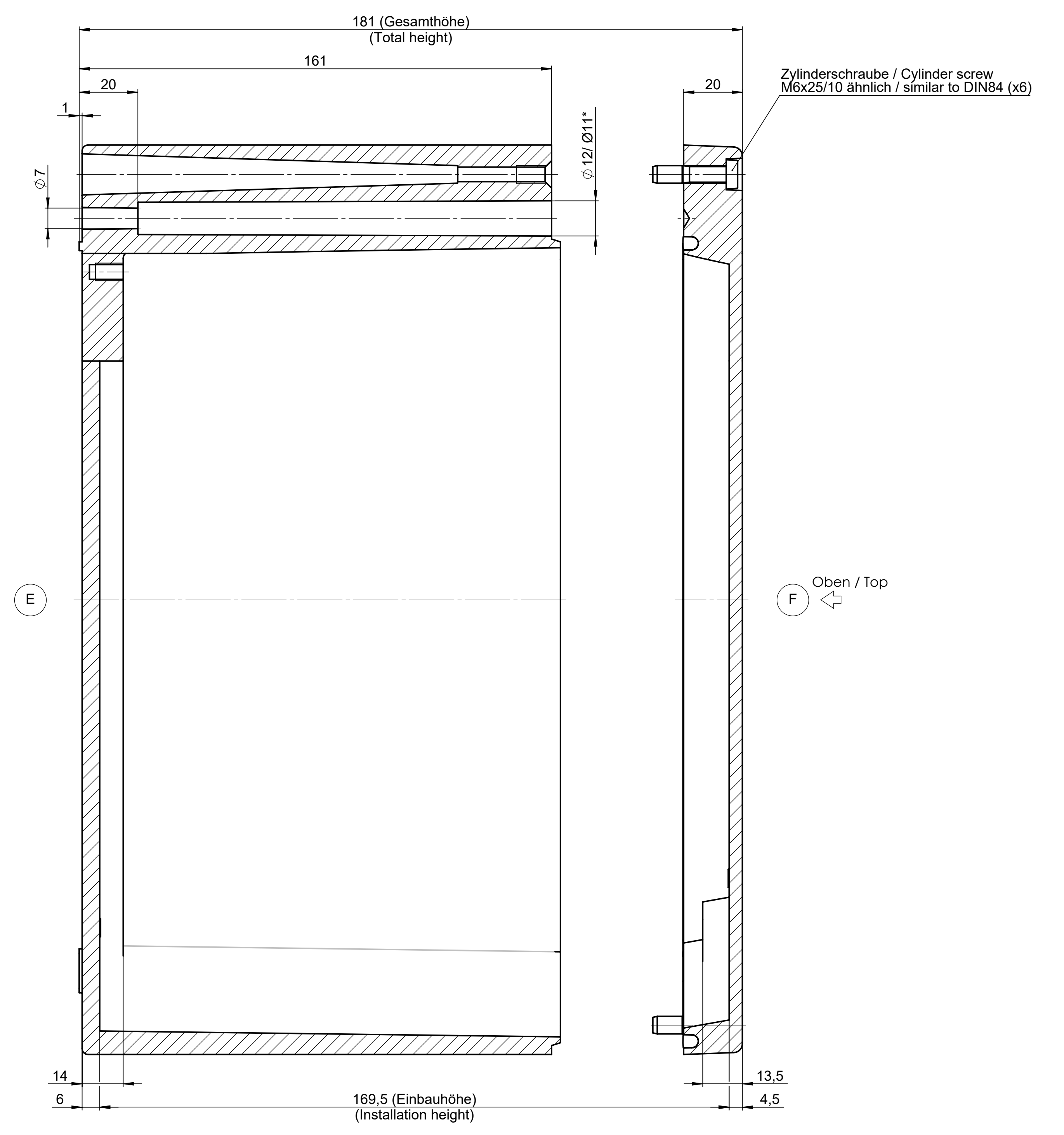
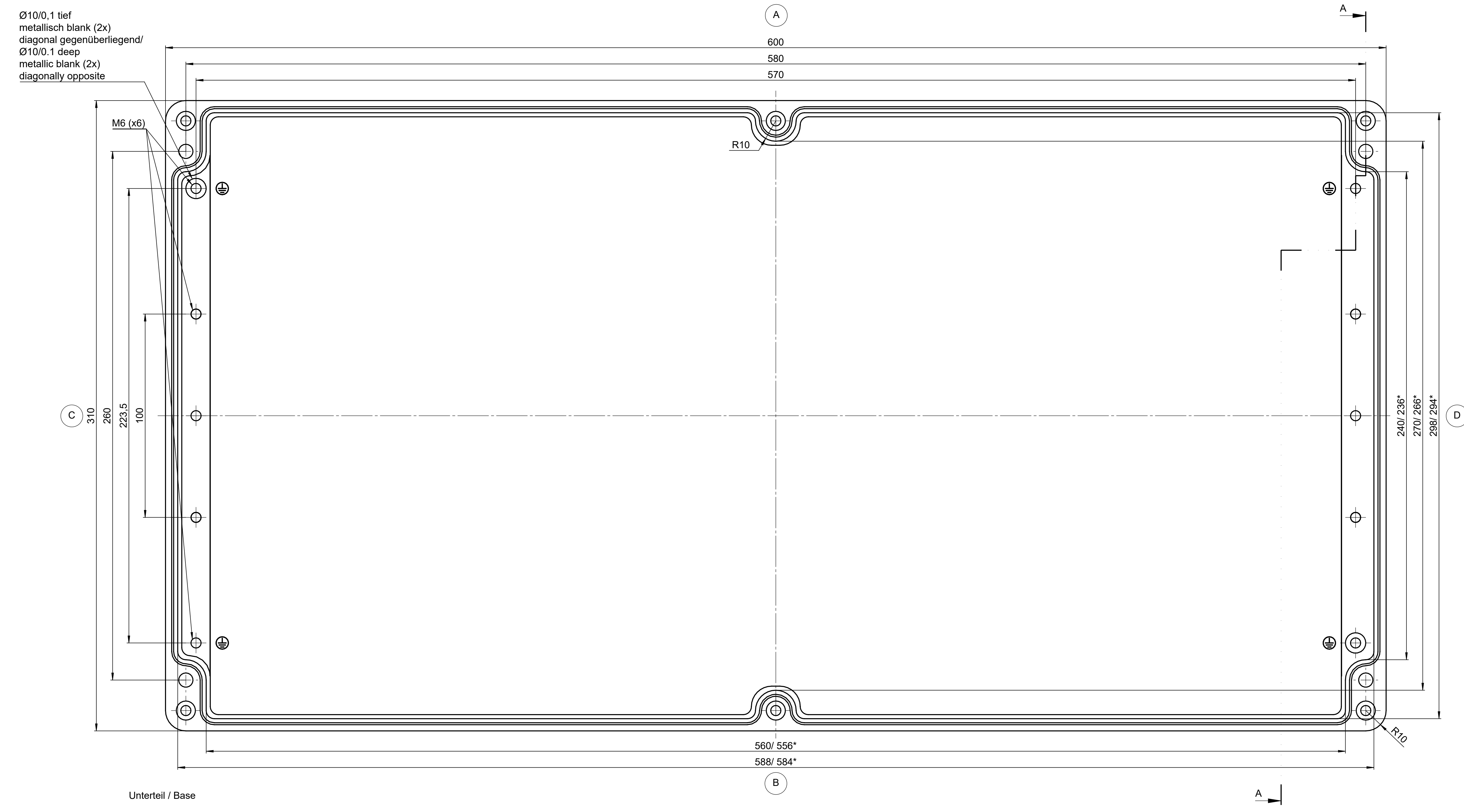


All rights reserved. No copies or reproduction of any kind without the written permission of ROSE Systemtechnik GmbH. In particular, the reproduction of drawings for manufacturing purposes is prohibited.



* = Mass durch Formkonizität nach unten verringert.
Freimass - Toleranz nach GTA 14/5 - DIN 1688
* = Dimensions reduced in the lower part by mould incline
General tolerances according to GTA 14/5 - DIN 1688



Index	Änderung/Modification	Art/Nr. / No.	Datum/Date	Name	Werkstoff/Material	Gewicht/Weight	12kg
ROSE	Systemtechnik GmbH	32457	11.11.16	D.Mac	Aluminium		
ROSE		Systemtechnik GmbH	27.01.21	A.Hel	DIN 1688-GTA 13/5		
Aluminium Gehäuse		Aluminium enclosure		KAT01.316018			