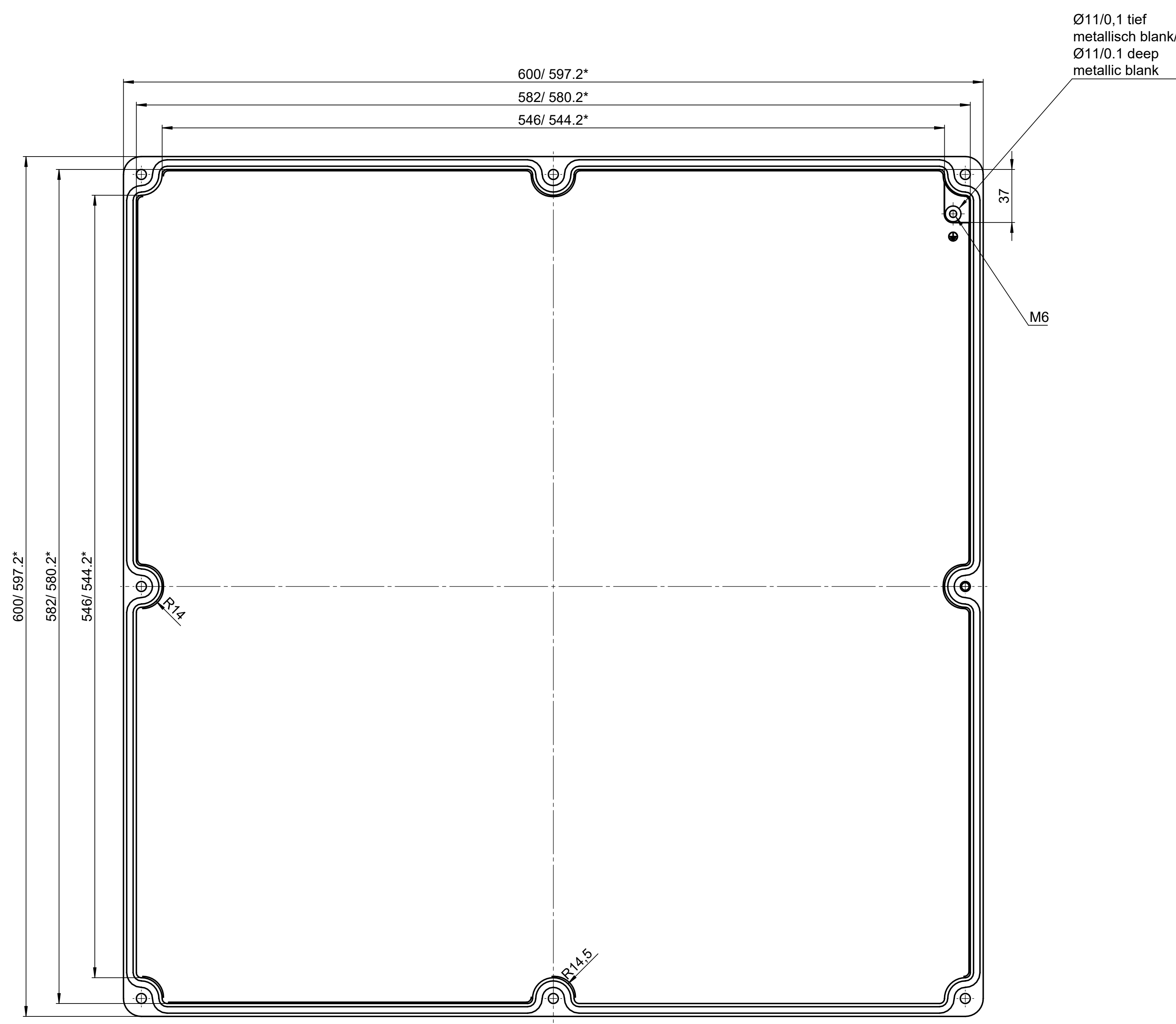
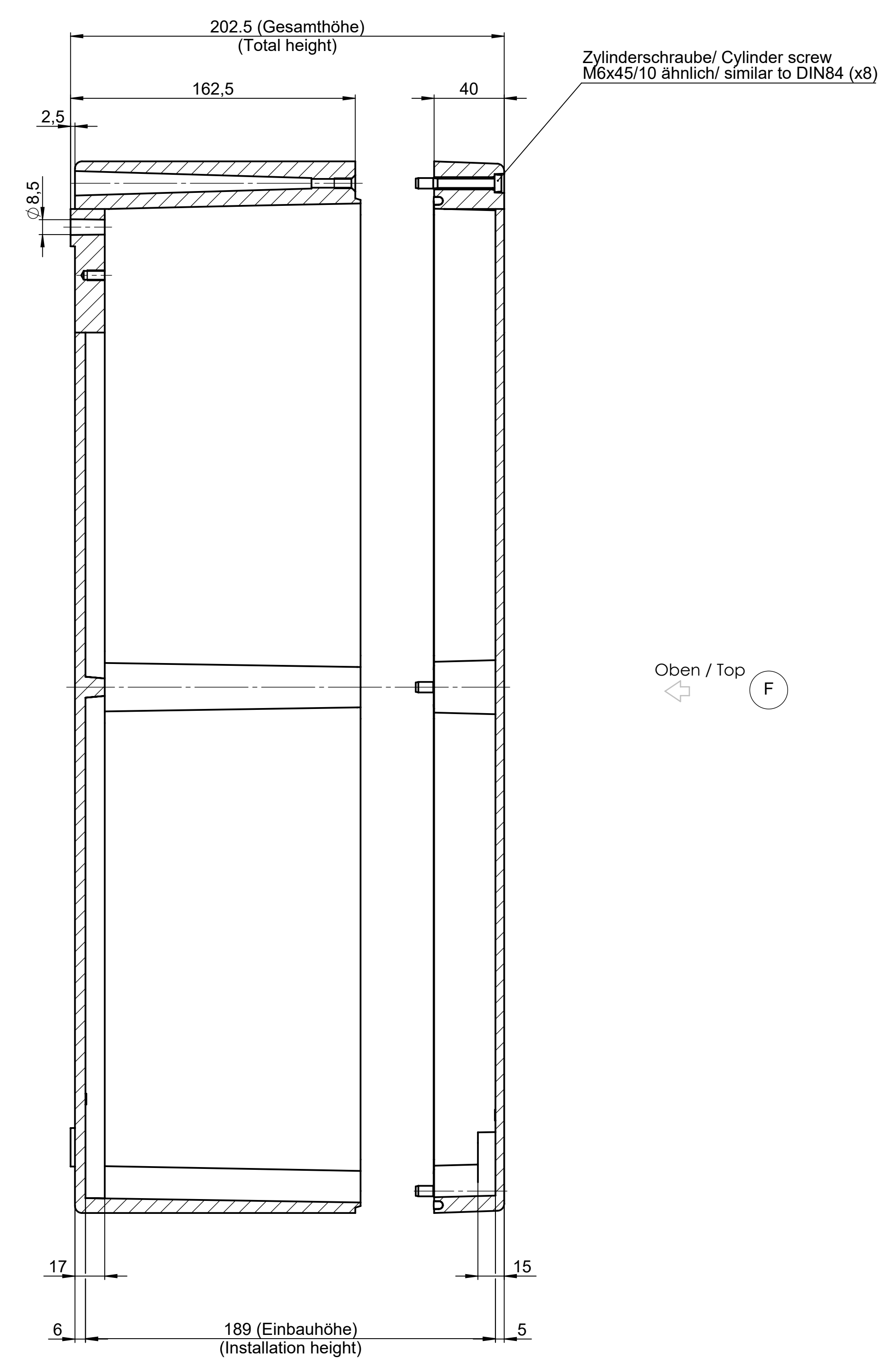
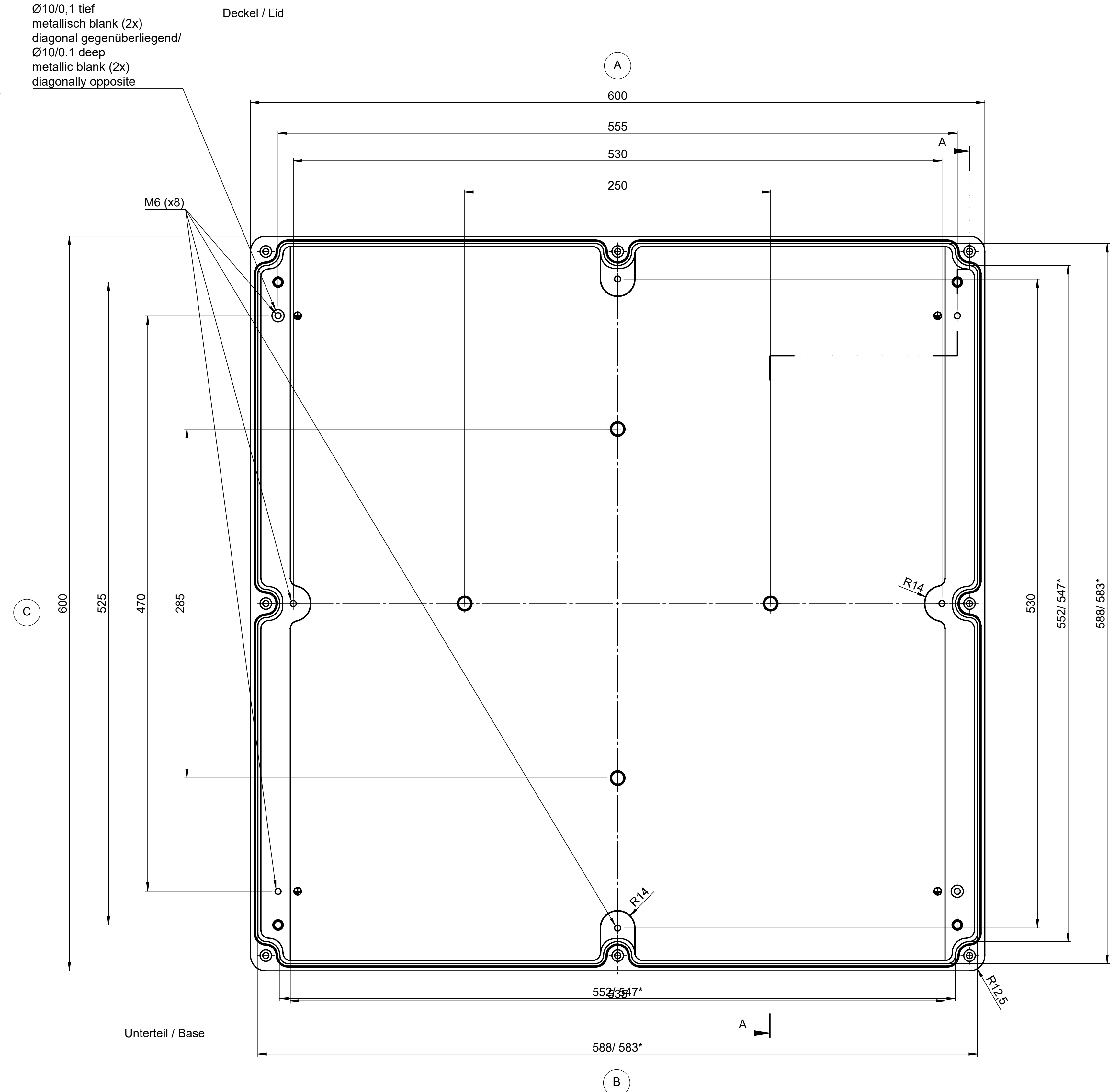


All rights reserved. No copies
 from this drawing may be made
 or reproduced in any way
 without the written permission
 of the manufacturer.



* = Mass durch Formkonizität nach unten verringert.
 Freimass - Toleranz nach GTA 14/5 - DIN 1688
 * = Dimensions reduced in the lower part by mould incline
 General tolerances according to GTA 14/5 - DIN 1688



Index	Änderung/Modification	Art/Type	Datum/Date	Name	Werkstoff/Material	22kg
ROSE	Systemtechnik GmbH	32457	Porta Westfalica	15.11.16	D.Mak	DIN 1688-GTA 13/5
Scale	1:2	Benennung/Description	Aluminium Gehäuse	Aluminium enclosure	KAT01.606020	