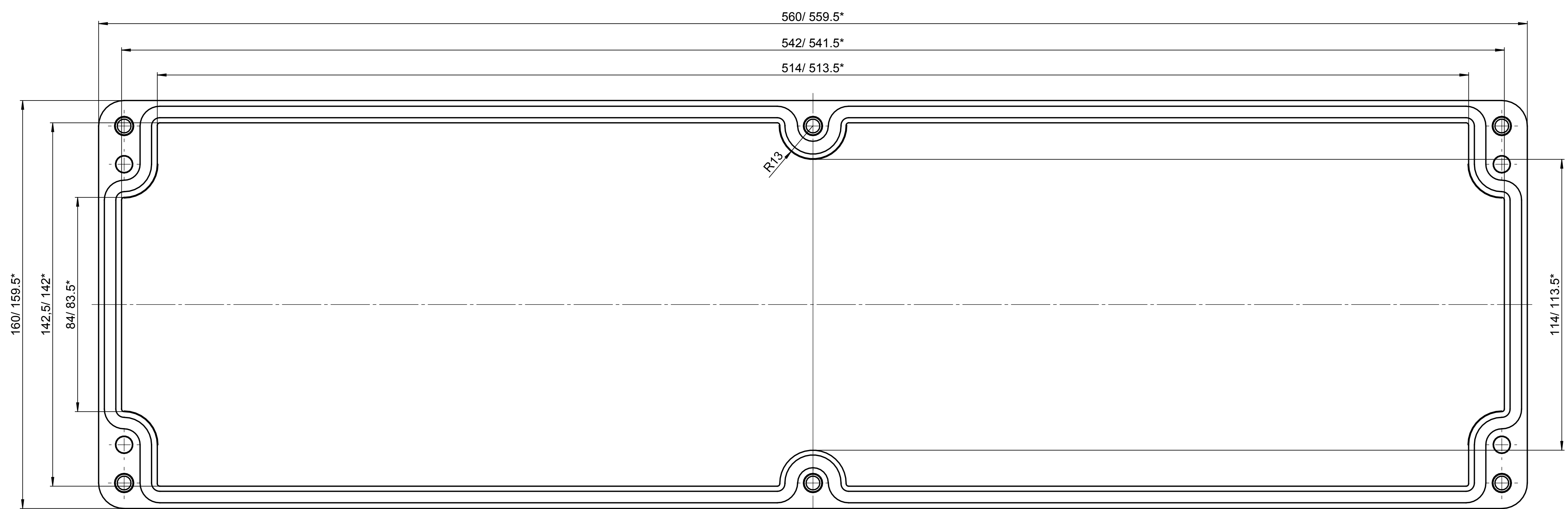
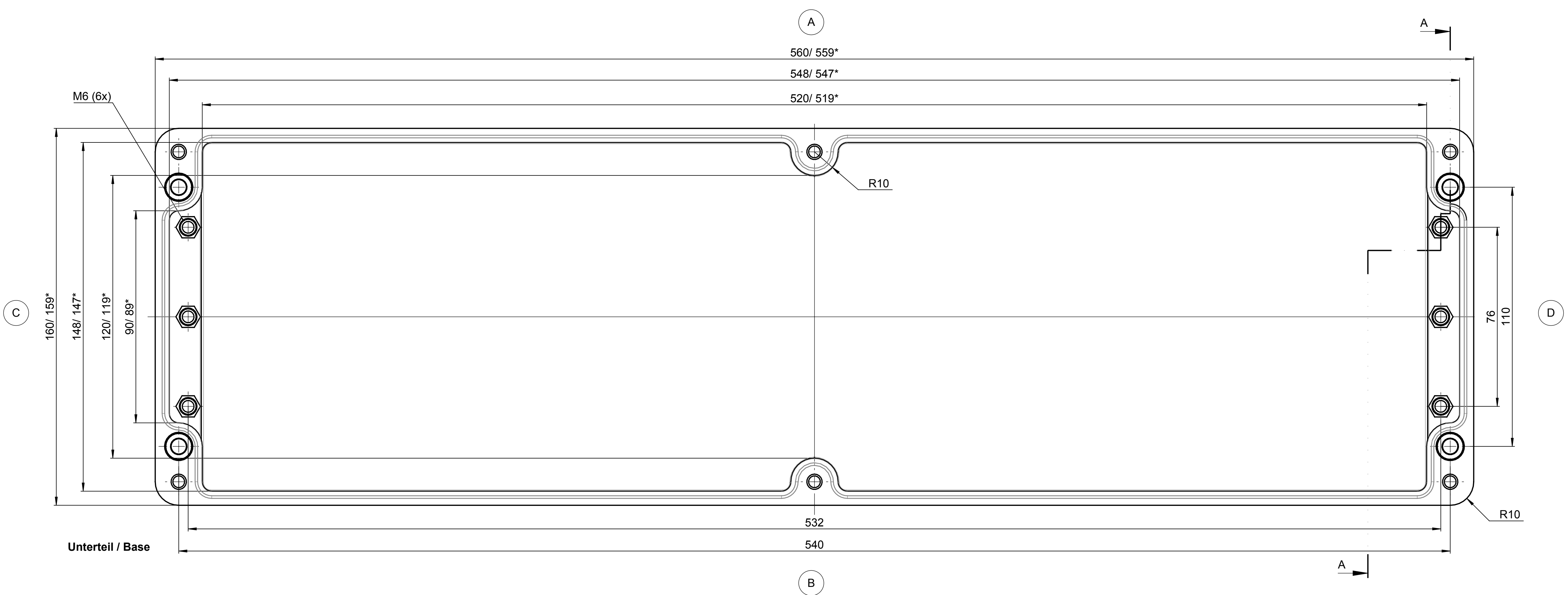


All rights reserved. No copies
 are permitted without written
 permission of the manufacturer.
 In particular, reproduction in
 any form or by any means
 is prohibited.

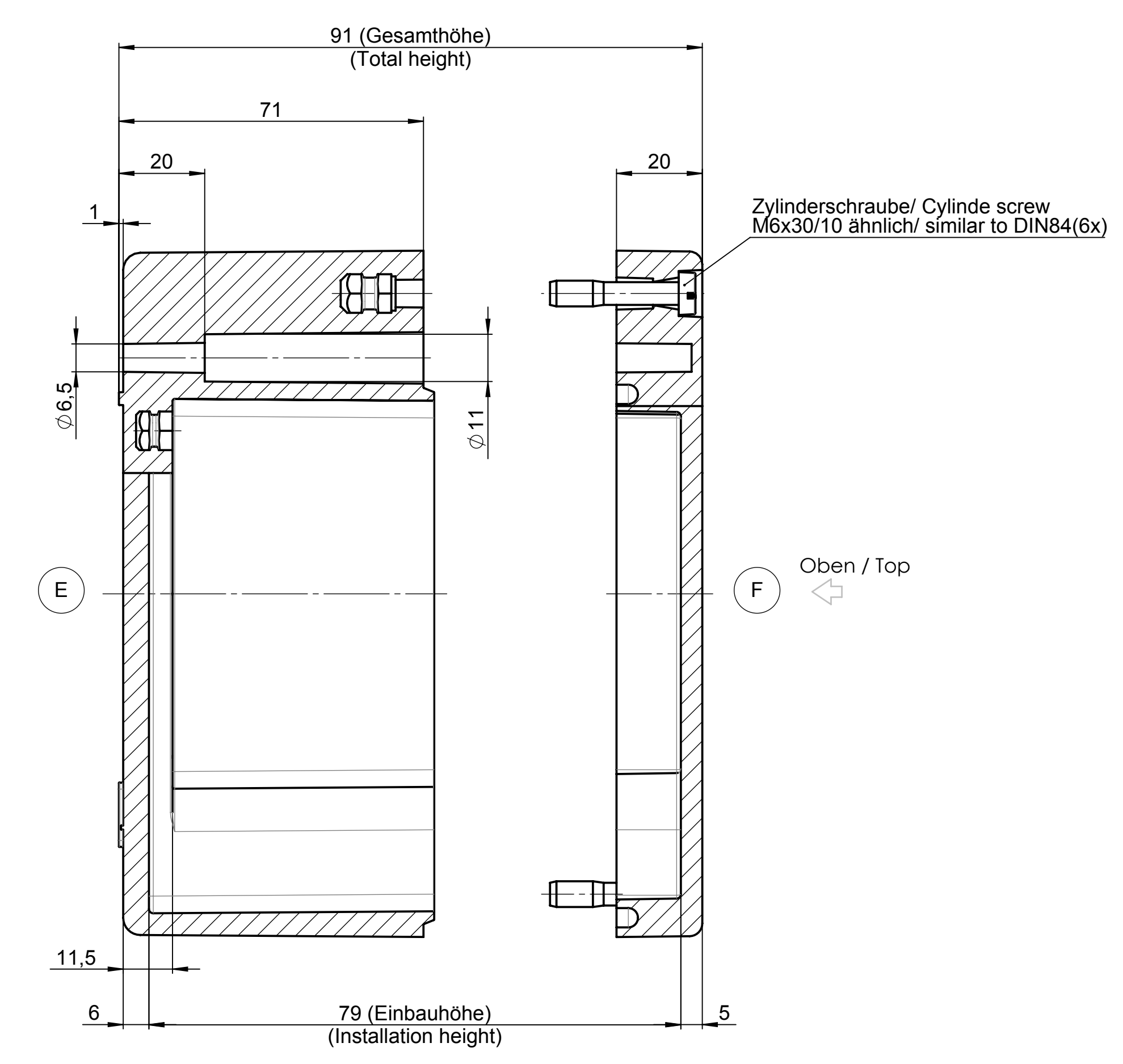


Deckel / Lid

* = Mass durch Formkonizität nach unten verringert.
 Freimass - Toleranz nach DIN 16901-130
 * = Dimensions reduced in the lower part by mould incline
 General tolerances according to DIN 16901-130



Unterteil / Base



Index		Änderung/Modification		Datum/Date		Name		Projekt-Nr./project-no.	
ROSE		Systemtechnik GmbH		23.02.17		D.Mack		Farbe/color	
32457		Porta Westfalica		21.03.17		J.Pla		Gewicht/weight	
1:1		Benennung/Description		Skizze		Zeichnung		Werkstoff/Material	
DIN A0		Polyester Gehäuse		J.Pla		J.Pla		3.27kg	
		Polyester enclosure						DIN 16901-130	
								KAT02.165609	