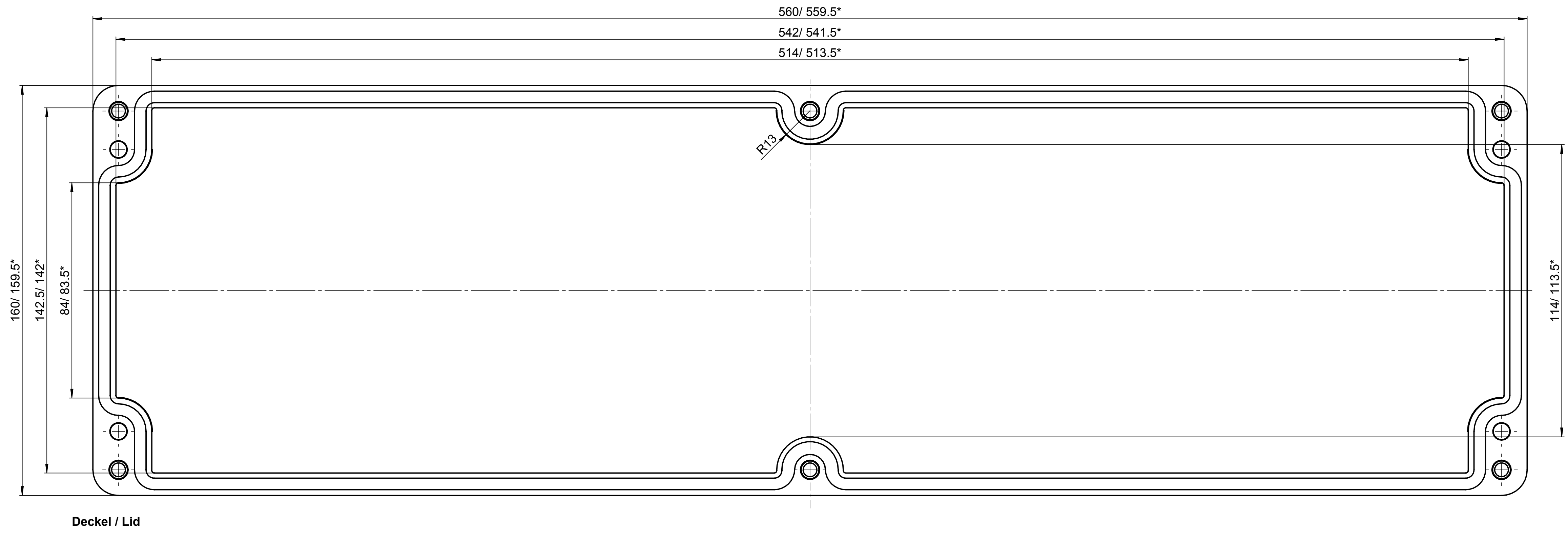
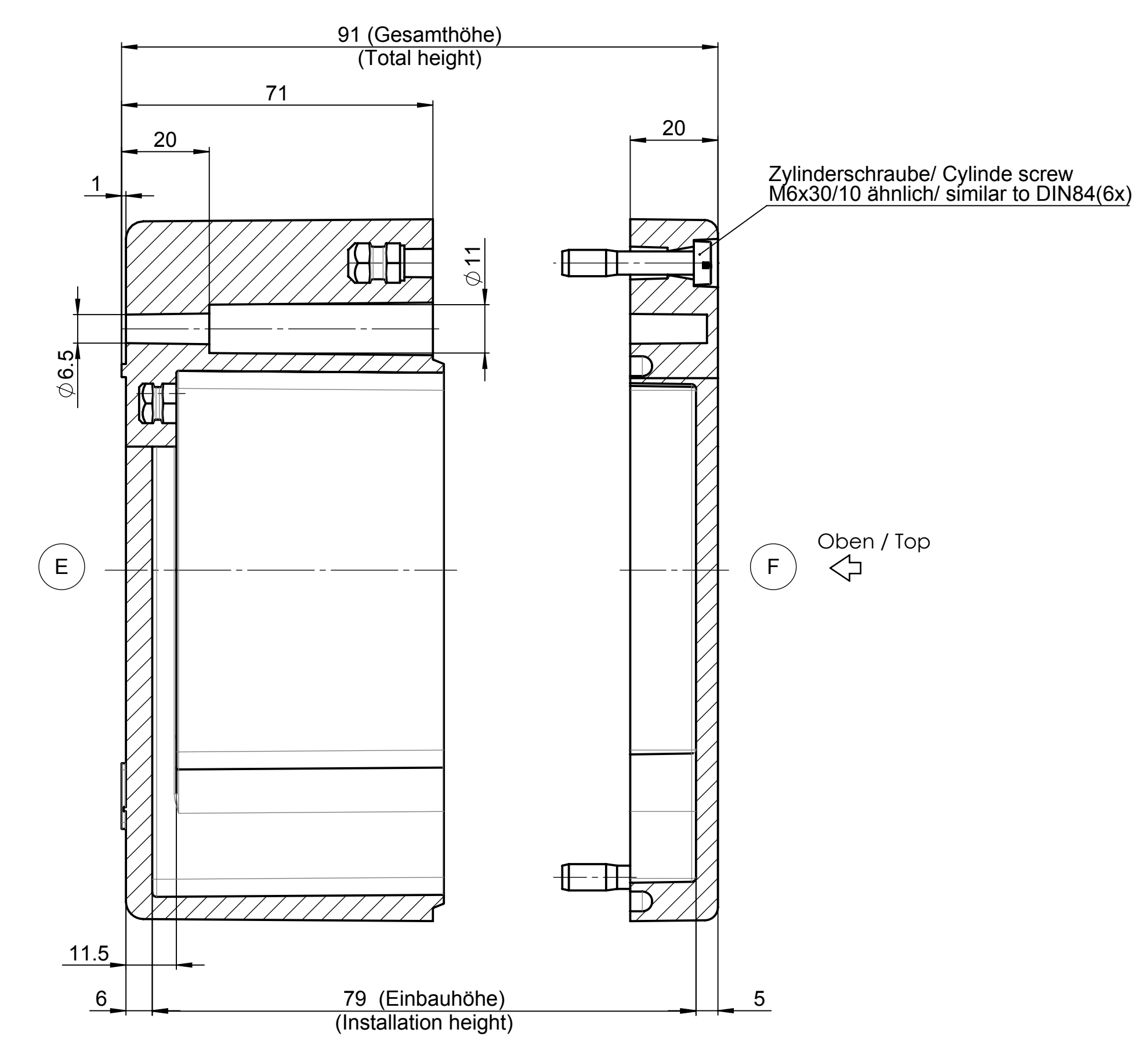
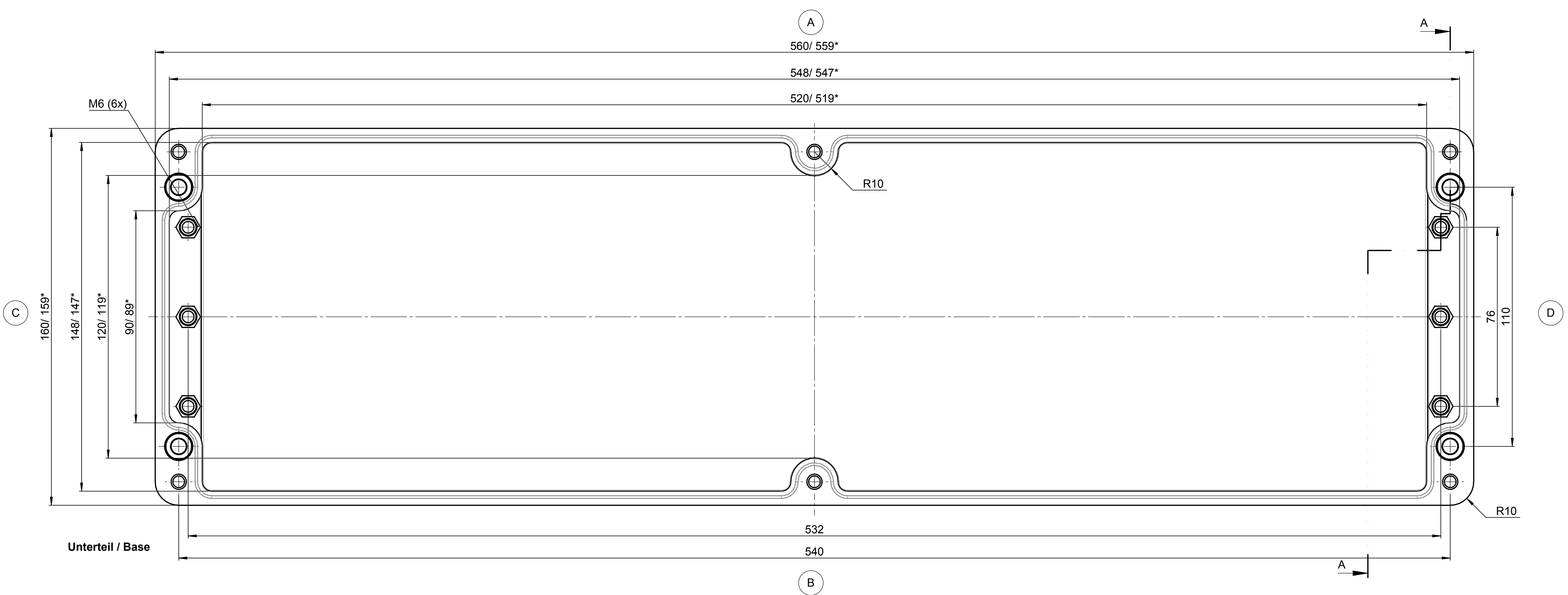


All rights reserved. No copies or reproductions are permitted without the written consent of ROSE Systemtechnik GmbH. In particular, the reproduction of drawings or the use of the drawings for manufacturing purposes is prohibited.



* = Mass durch Formkonizität nach unten verringert.
Freimass - Toleranz nach DIN 16901-130
* = Dimensions reduced in the lower part by mould incline
General tolerances according to DIN 16901-130



Index	Änderung/Modification	Art/Type	Datum/Date	Name	Werkstoff/Material	Projekt-Nr./project-no.
		created	02.05.17	D.Mac		
		checked	08.06.17	M.Lei		
ROSE Systemtechnik GmbH 32457 Porta Westfalica					DIN 16901-130	
Benennung/Description Polyester Ex Leergehäuse Polyester Ex empty enclosure						
Maßstab/Scale 1:1						
Zeichnung/ Drawing No. KAT26.165609						