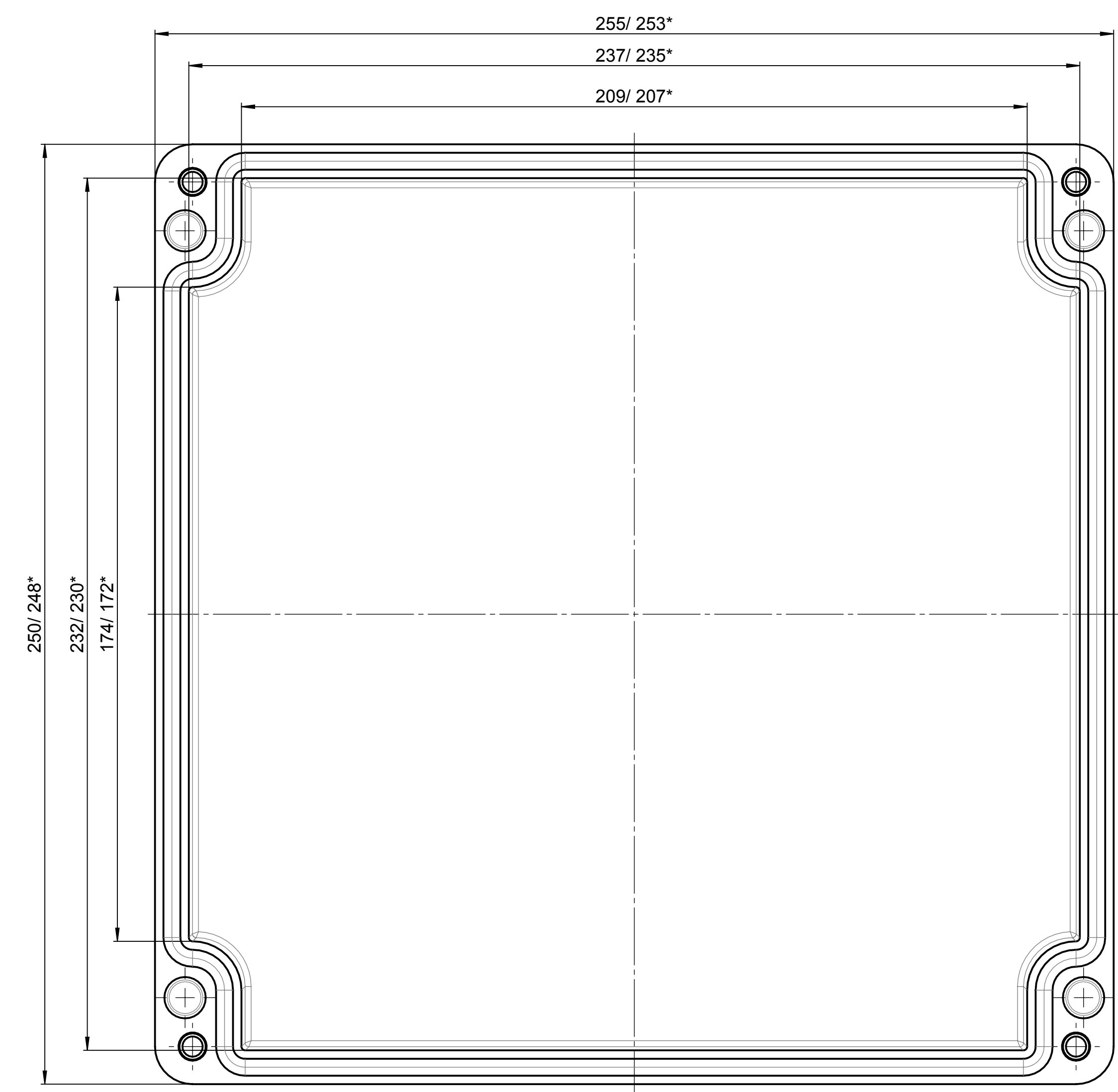
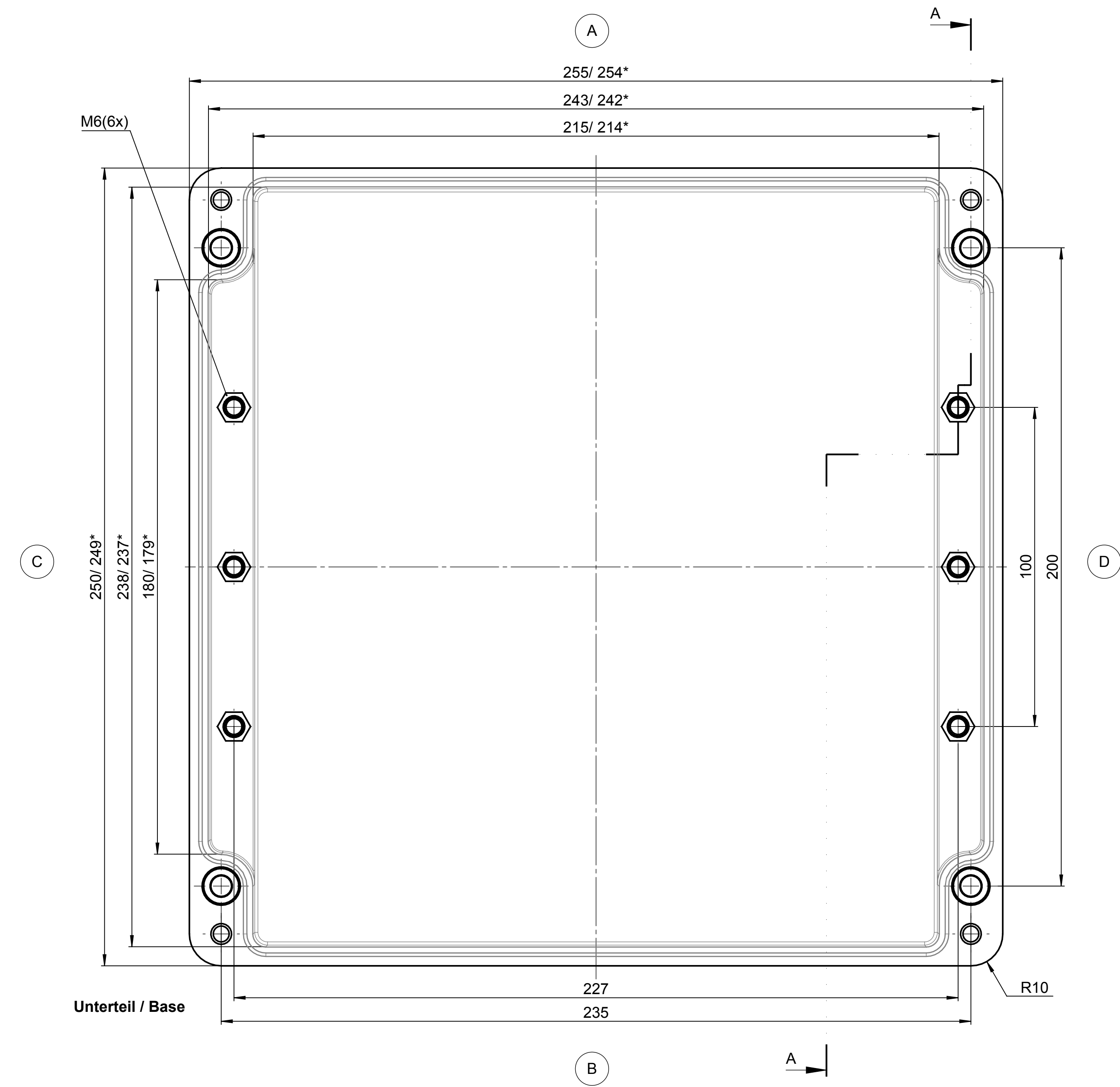


All rights reserved. No copies are permitted without the written consent of the manufacturer. All dimensions are in millimeters unless otherwise stated.

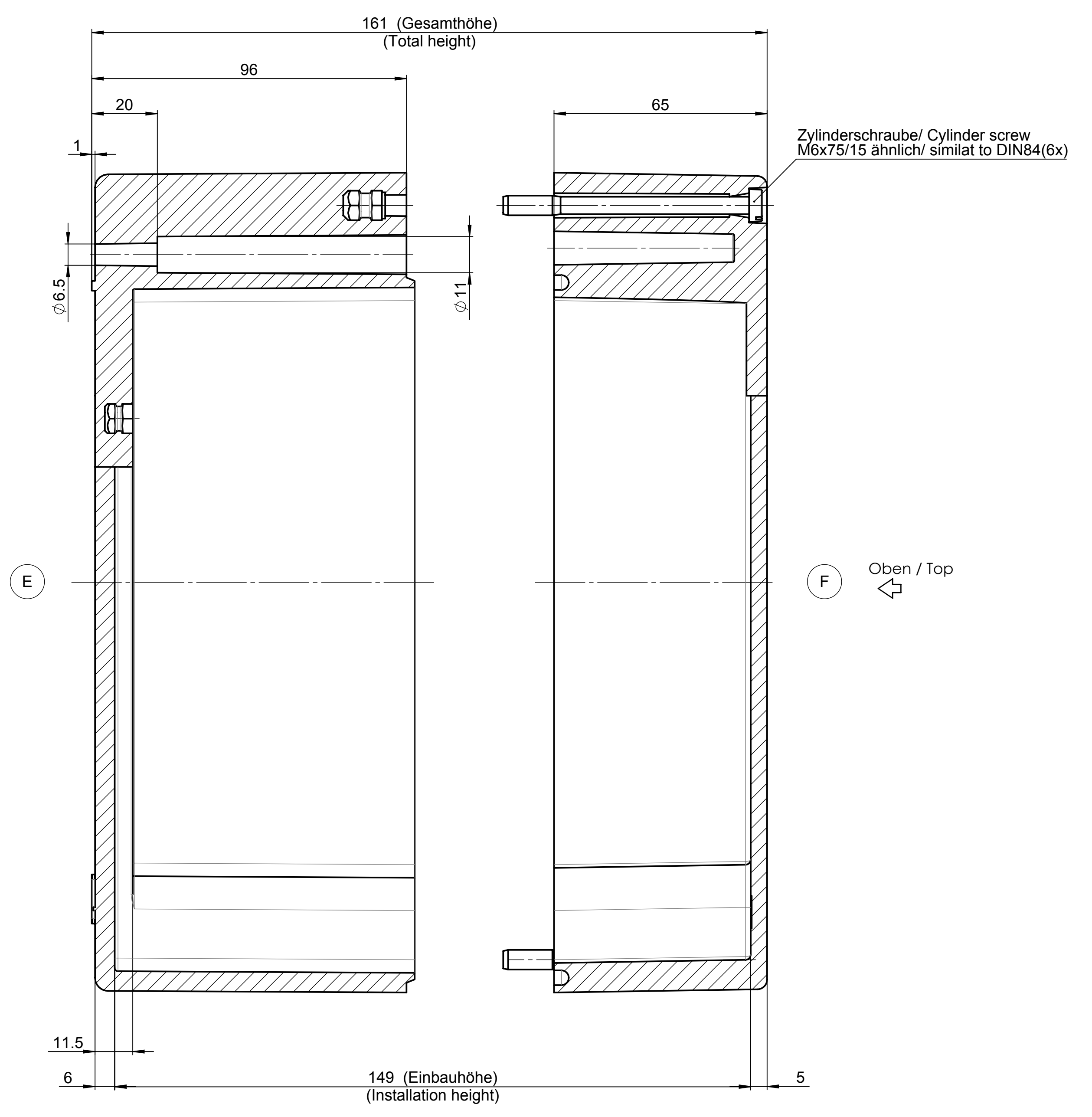


Deckel / Lid

* = Mass durch Formkonizität nach unten verringert.
 Freimass - Toleranz nach DIN 16901-130
 * = Dimensions reduced in the lower part by mould incline
 General tolerances according to DIN 16901-130



Unterteil / Base



Oben / Top

Projekt-Nr./project-no.		KAT26.252616	
Farbe/color		3.48kg	
Gewicht/weight		3.48kg	
Index	Änderung/Modification	Art/Nr. type no.	Datum/Date/Name
ROSE	Systemtechnik GmbH 32457 Porta Westfalica	02.05.17 D.Mac	08.06.17 M.Lei
Material/Material		DIN 16901-130	
Benennung/Description		Polyester Ex Leergehäuse Polyester Ex empty enclosure	
Skala/Scale		1:1	
Bemerkung/Note		Zeichnung/ Drawing No.	
DIN A0		KAT26.252616	