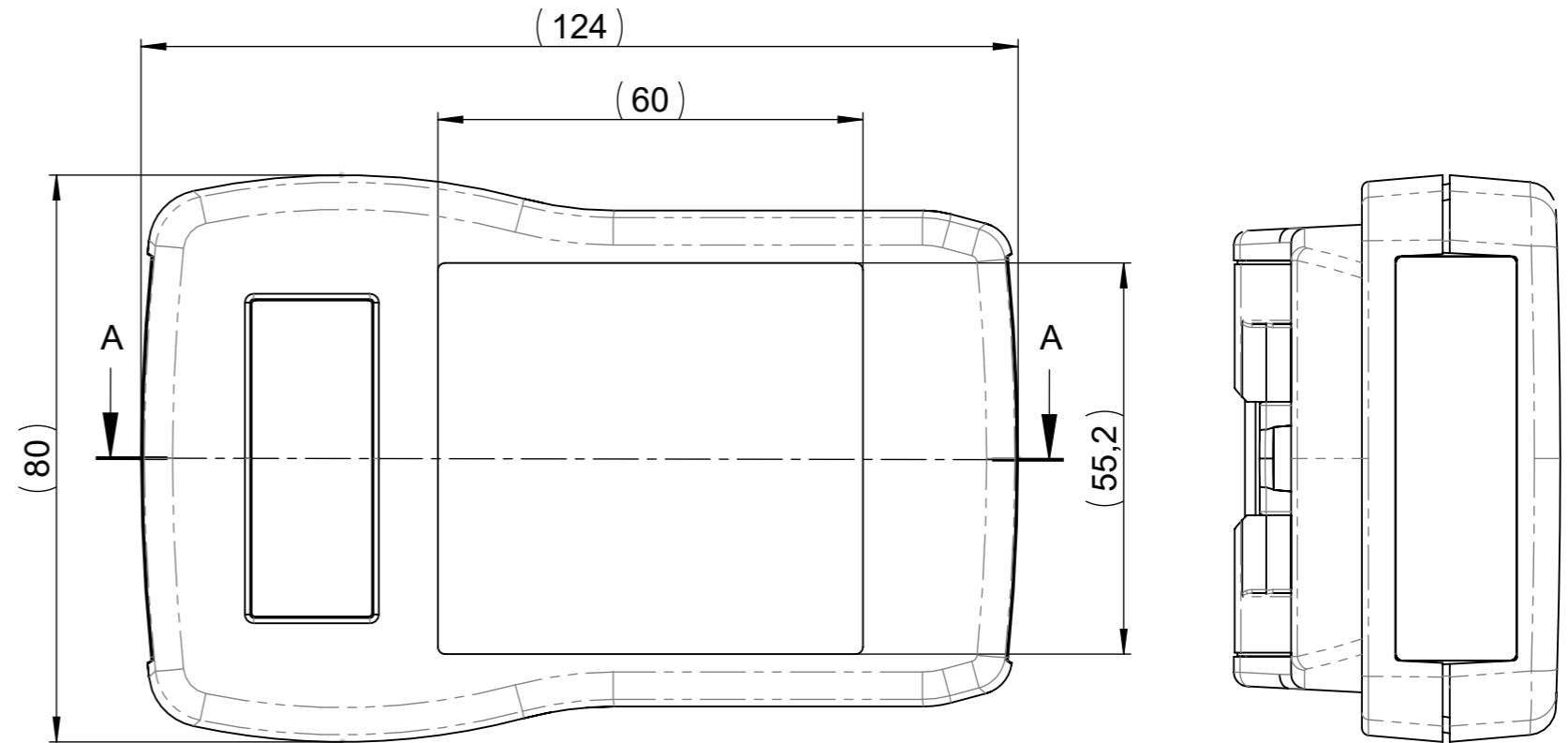
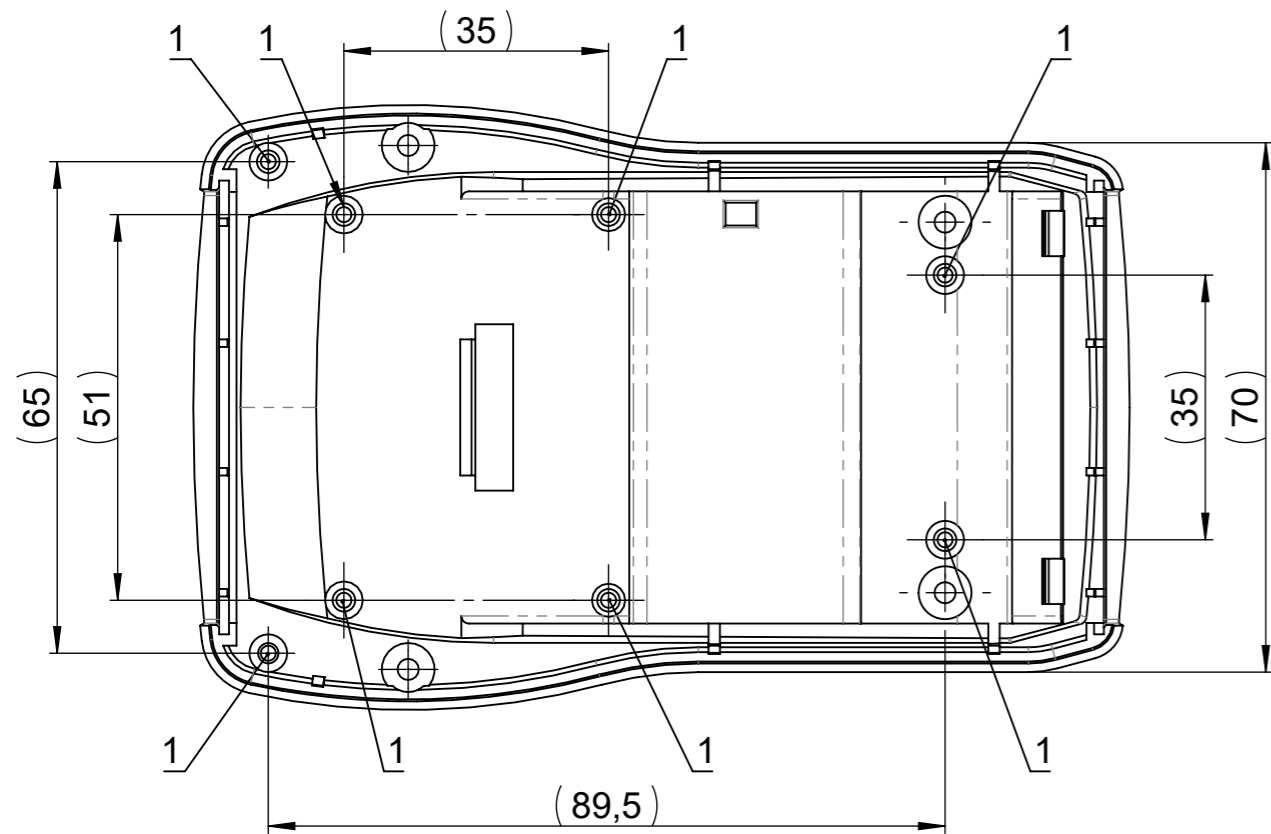
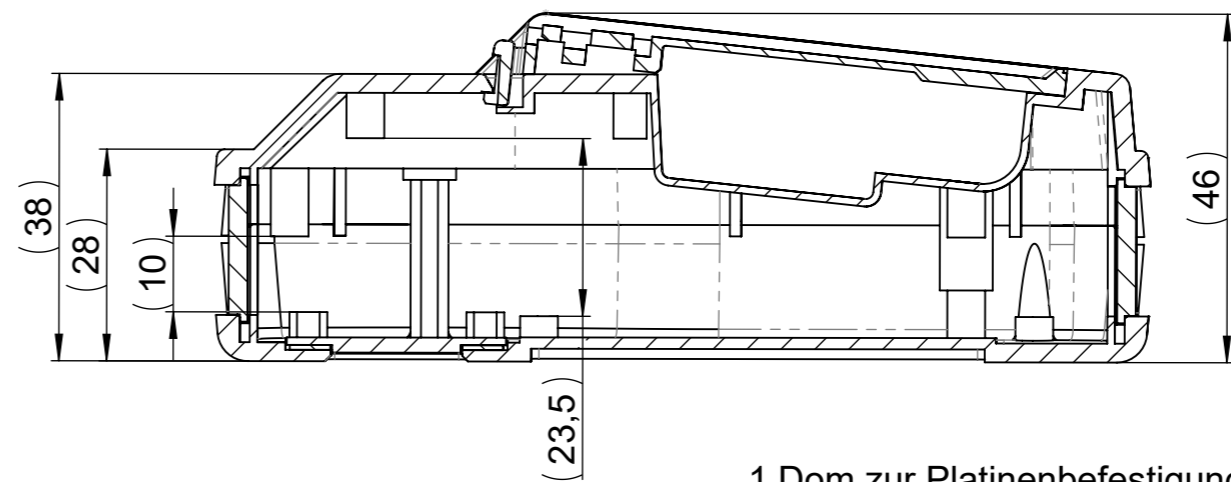
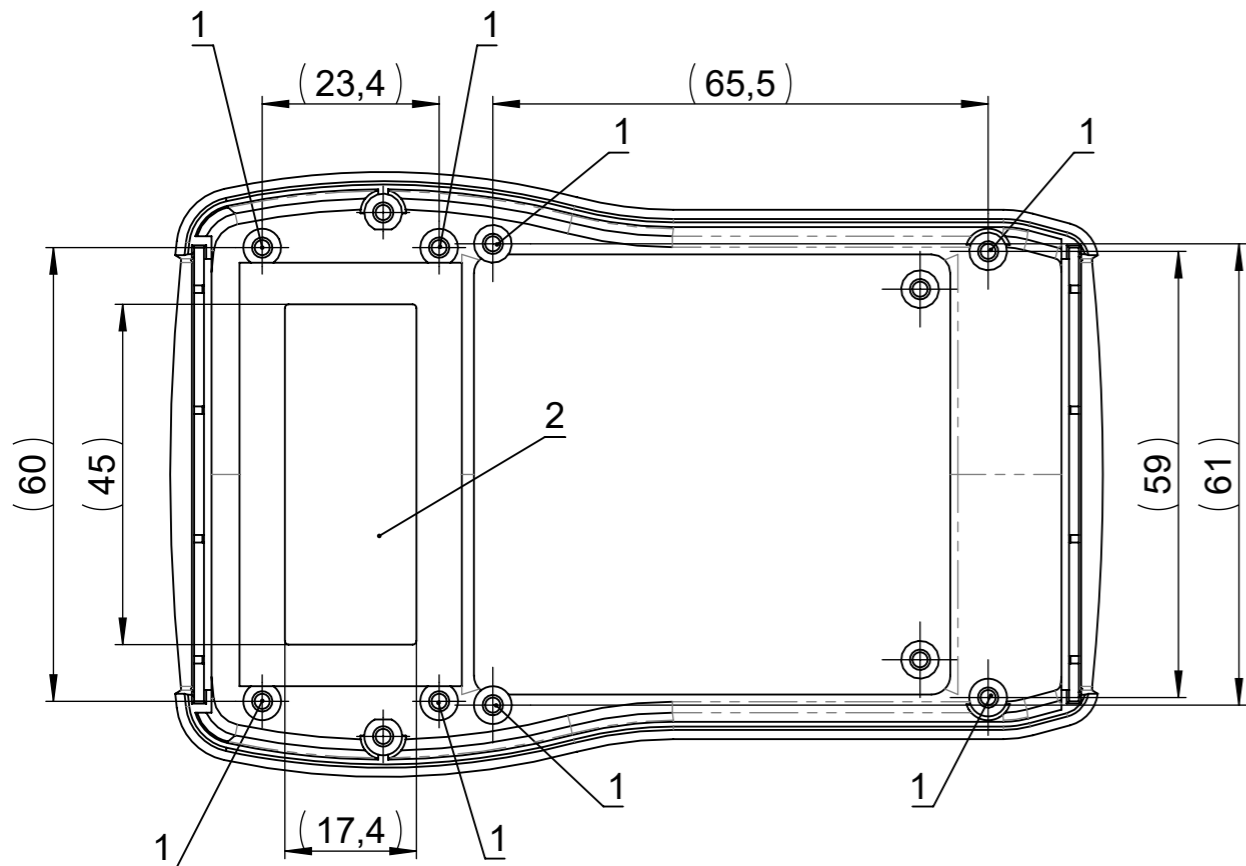


Unterschale / enclosure bottom

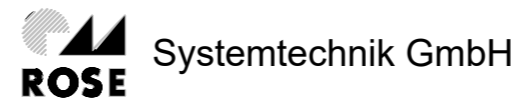


A-A

Oberschale / enclosure top



- 1 Dom zur Platinenbefestigung (Schraube 2,5x5)
PCB mounting boss (screw 2,5x5)
- 2 Displayfenster
Displaywindow
(max. Platinenmaß der Displays ca. 65x29 mm
(max. board dimensions of the displays approx. 65x29 mm)



Benennung/Description:

Taguan 130 TO

Taguan 130 TO

Art.-Nr./Art.No.:

270102100