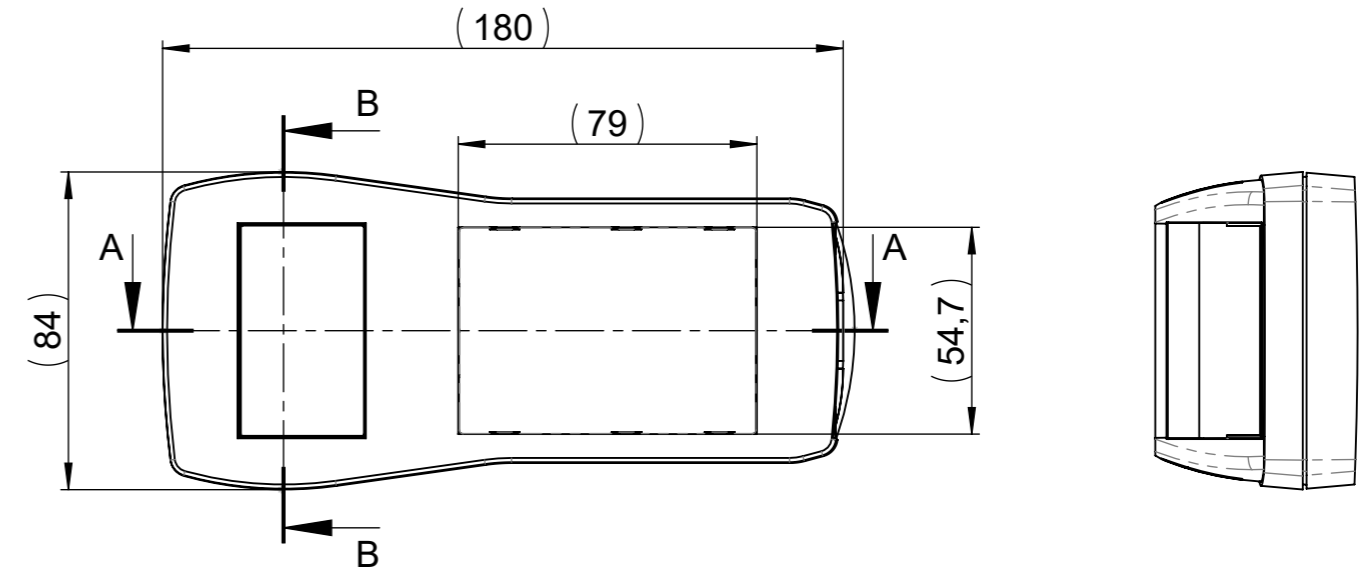
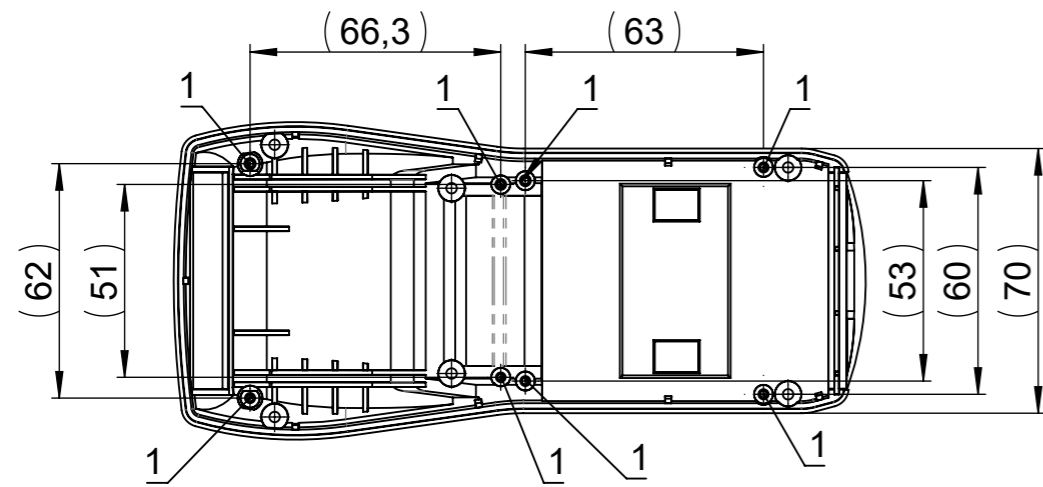
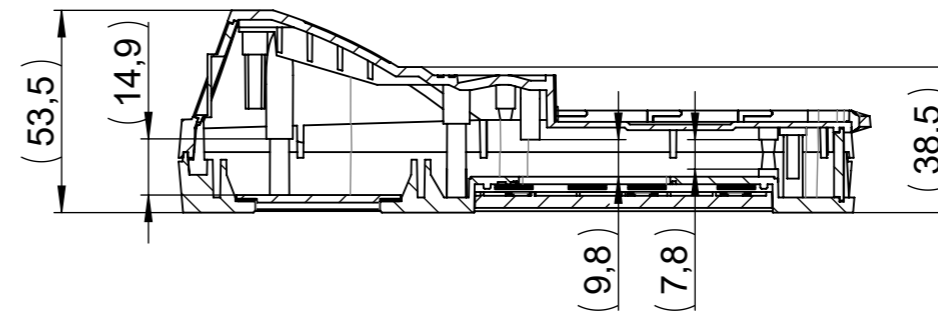


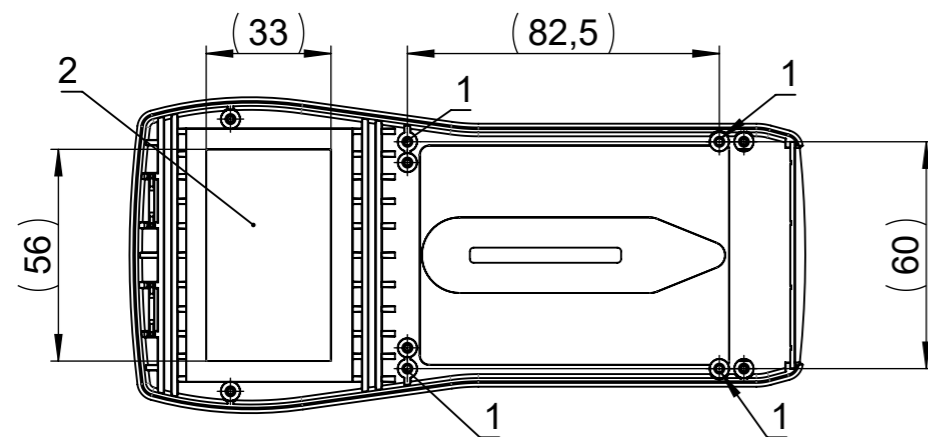
Unterschale / enclosure bottom



A-A

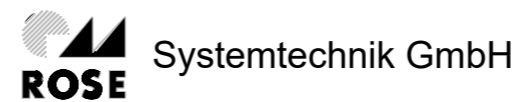


Oberschale / enclosure top



1 Dom zur Platinenbefestigung (Schraube 2,5x5)
PCB mounting boss (screw 2,5x5)

2 Displayfenster
Displaywindow
(max. Platinenmaß des Display ca. 66x46 mm)
(max. circuit board dimensions of the display approx. 66x46 mm)



Benennung/Description:

Taguan 180 O

Taguan 180 O

Art.-Nr./Art.No.:

270104000